



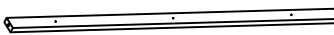
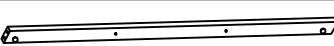








ASSEMBLY INSTRUCTION FOR ACME FURNITURE






MODEL # 96759

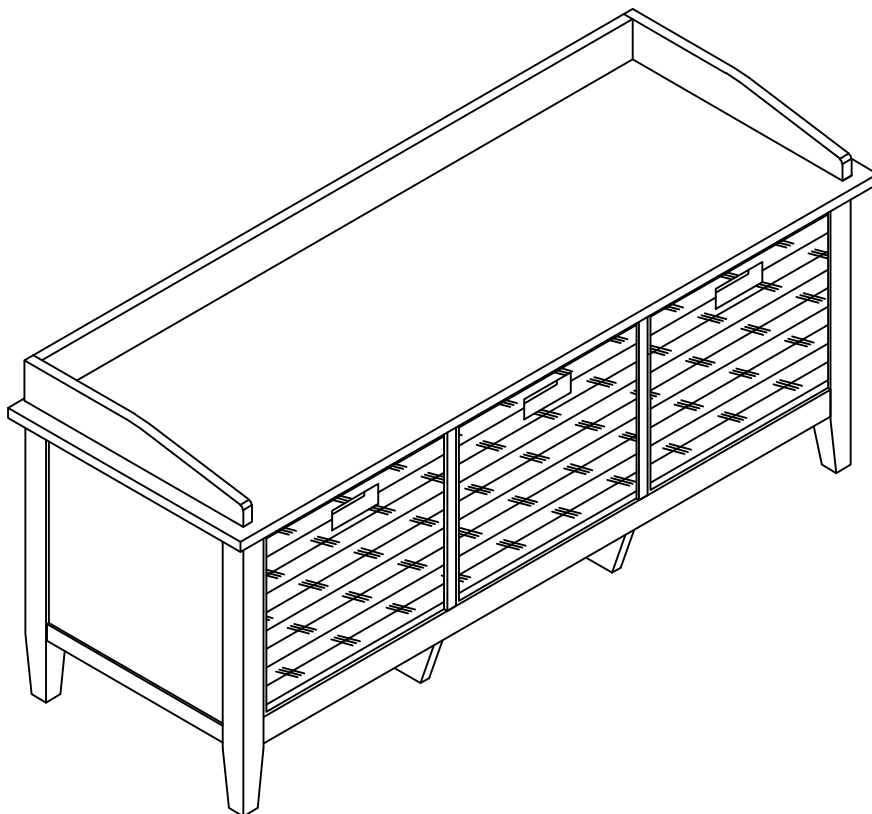
Thank you for purchasing this quality product. Be sure to check all packing material carefully for small parts which may have come loose inside the carton during shipment. Separate, Identify and count all parts and metal hardware. Compare with parts list to be sure all parts are present. If any part(s) are missing or damaged, please contact your local furniture dealer. For efficient and speedy service, please indicate the model number and code letter of part(s) needed.

***** Do not fully tighten screws until fully assembled *****

COMPONENT PARTS		
DESCRIPTION	PART NAME	Q`TY (PCS)
①	Top Panel 	1
②	Side Panel 	1
③	Side Panel 	1
④	Central Panel 	2
⑤	Cross Bar 	1
⑥	Cross Bar 	1
⑦	Drawer Front 	3
⑧	Drawer Side 	3
⑨	Drawer Side 	3
⑩	Drawer Back 	3
⑪	Drawer Bottom 	3
⑫	Back Panel 	1

HARDWARES REQUIRED

Ⓐ		Cam lock	22 PCS
Ⓑ		Cam bolt	22 PCS
Ⓒ		Cam nut	22 PCS
Ⓓ		Wood dowel	18 PCS
Ⓔ		Screw	ϕ8x3/4" 27 PCS

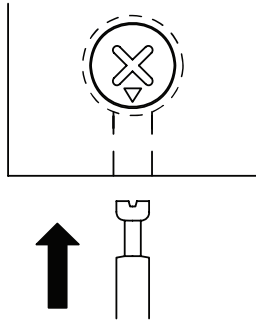


Attention:

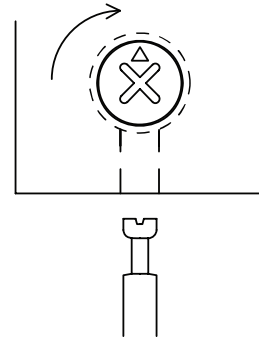
*** Some number parts listed on the instruction sheet may not be in parts bag as they may be assembled . Carefully check parts and packing materials prior to ordering replacements.

CAM LOCK SYSTEM

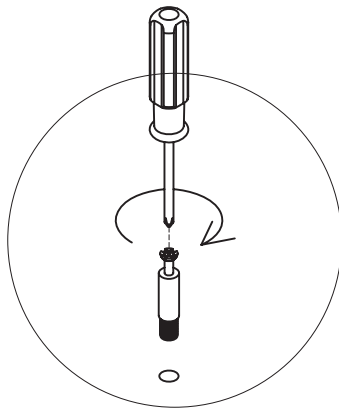
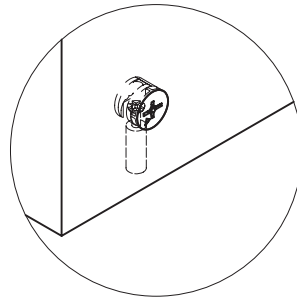
(1)



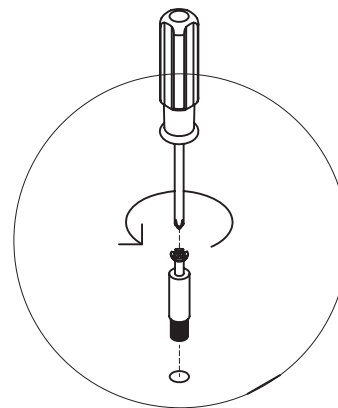
(2)



IMPORTANT NOTE--CAM LOCK ADJUSTMENT



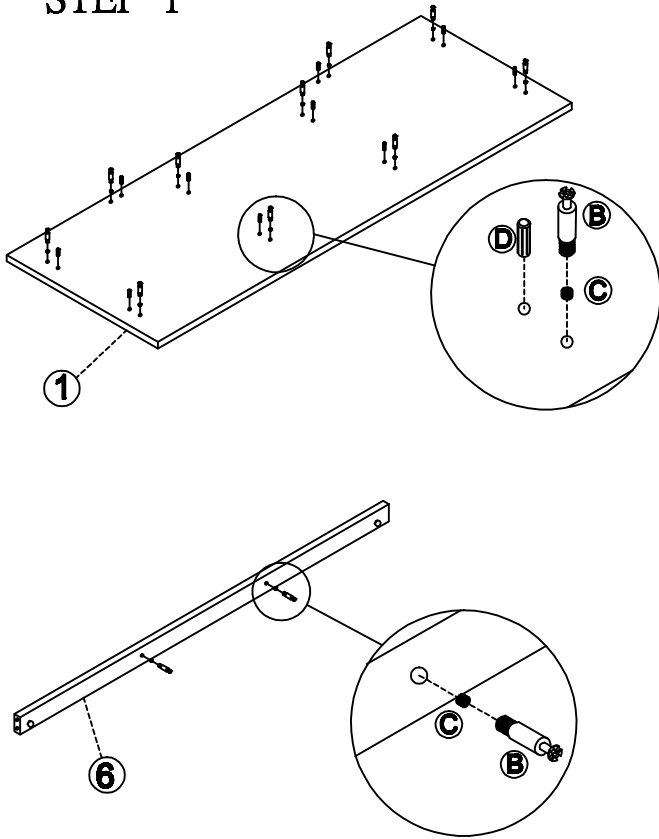
If Cam Lock
is too loose,
Please adjust Metal
Dowel to turn right
as drawing.



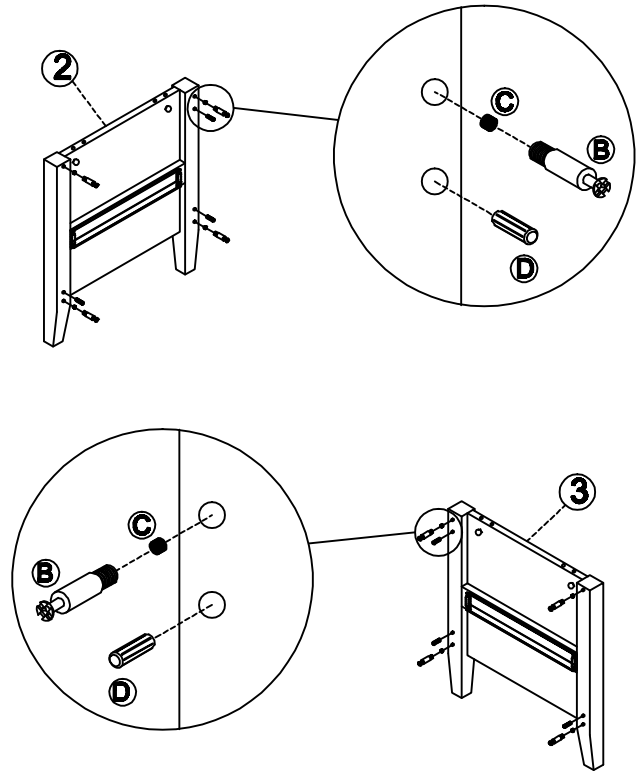
If Cam Lock
is too tight,
Please adjust Metal
Dowel to turn left
as drawing.

How to assemble:

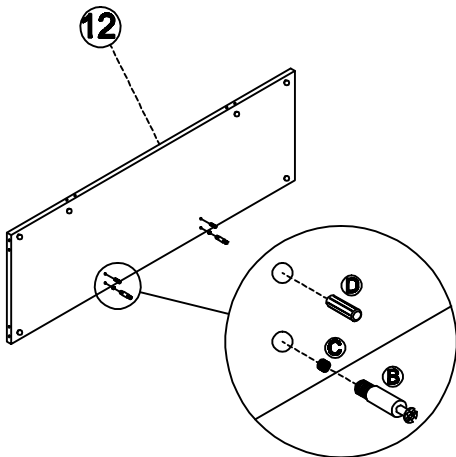
STEP 1



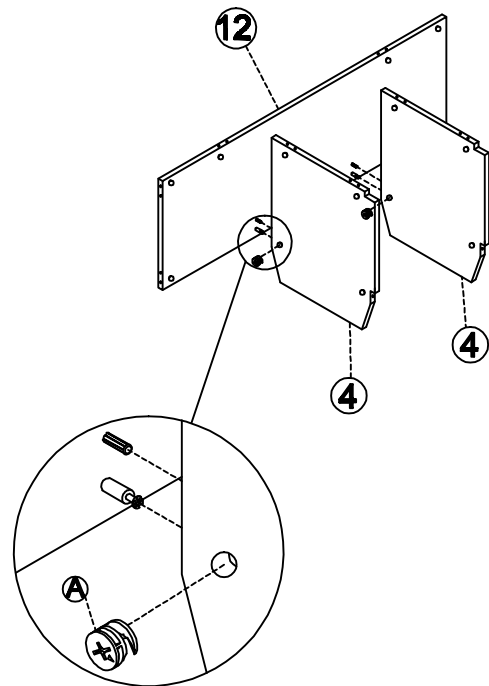
STEP 2



STEP 3

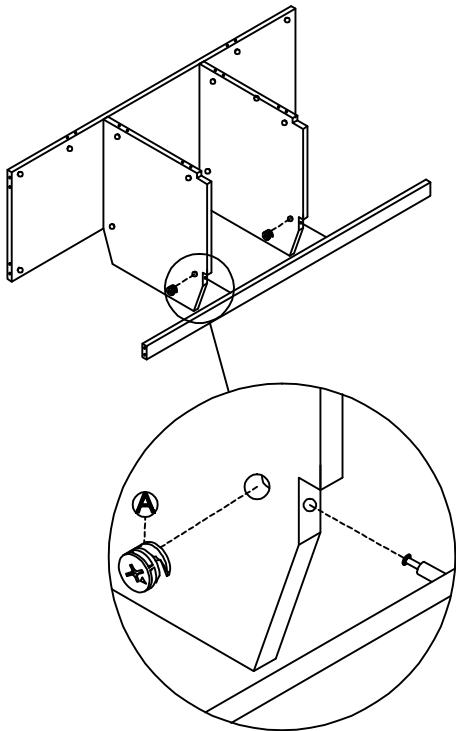


STEP 4

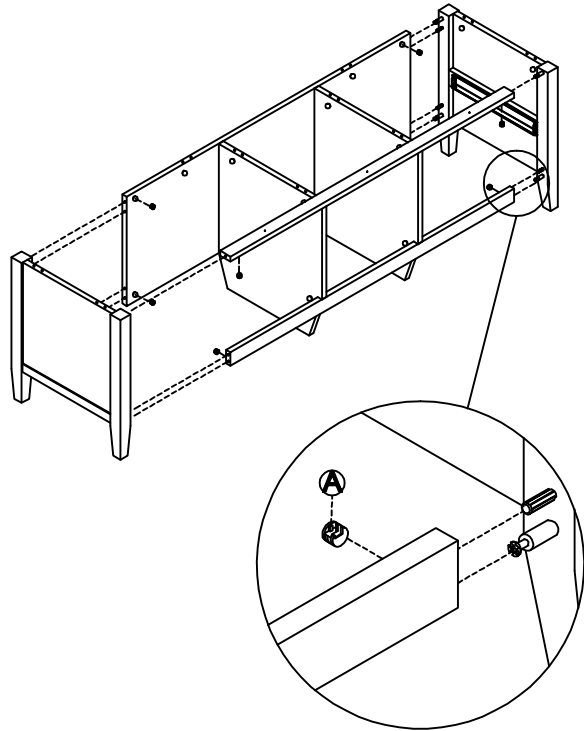


How to assemble:

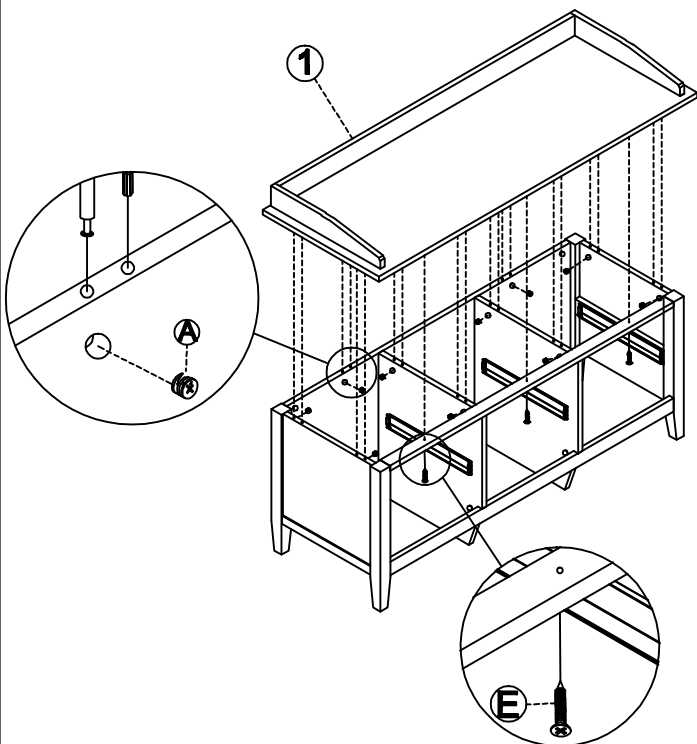
STEP 5



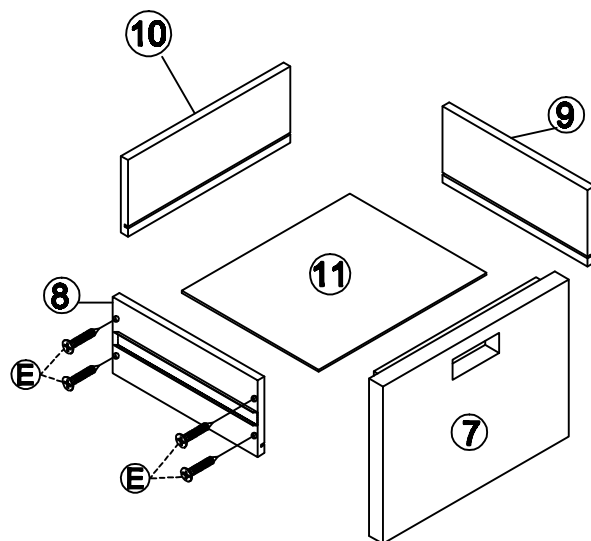
STEP 6



STEP 7

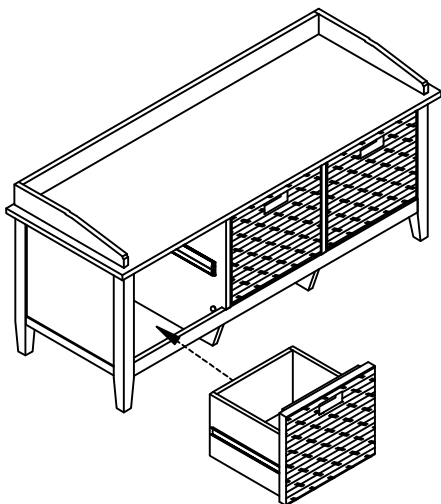


STEP 8



How to assemble:

STEP 9



STEP 10

