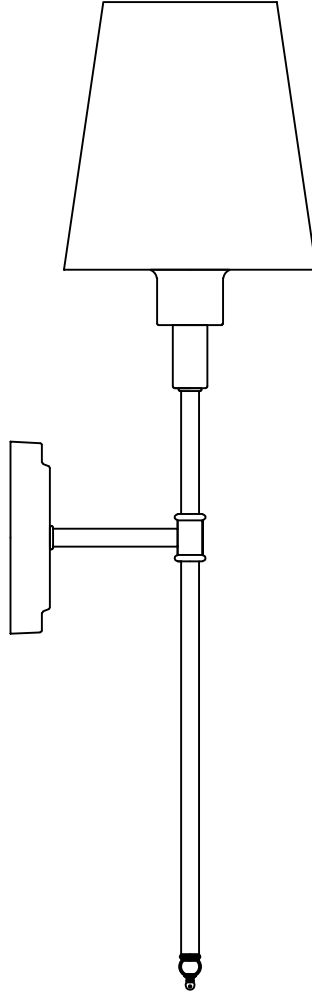


# Assembly and Installation Guide



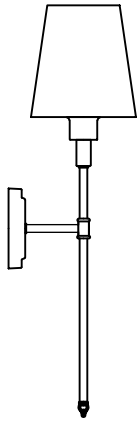
Please confirm that all the accessories in the package have been taken out before installation

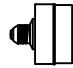




## IMPORTANT:

Please read carefully and save these instructions, as you may need them at a later date. When using electrical equipment, basic safety precautions should always be followed as below:

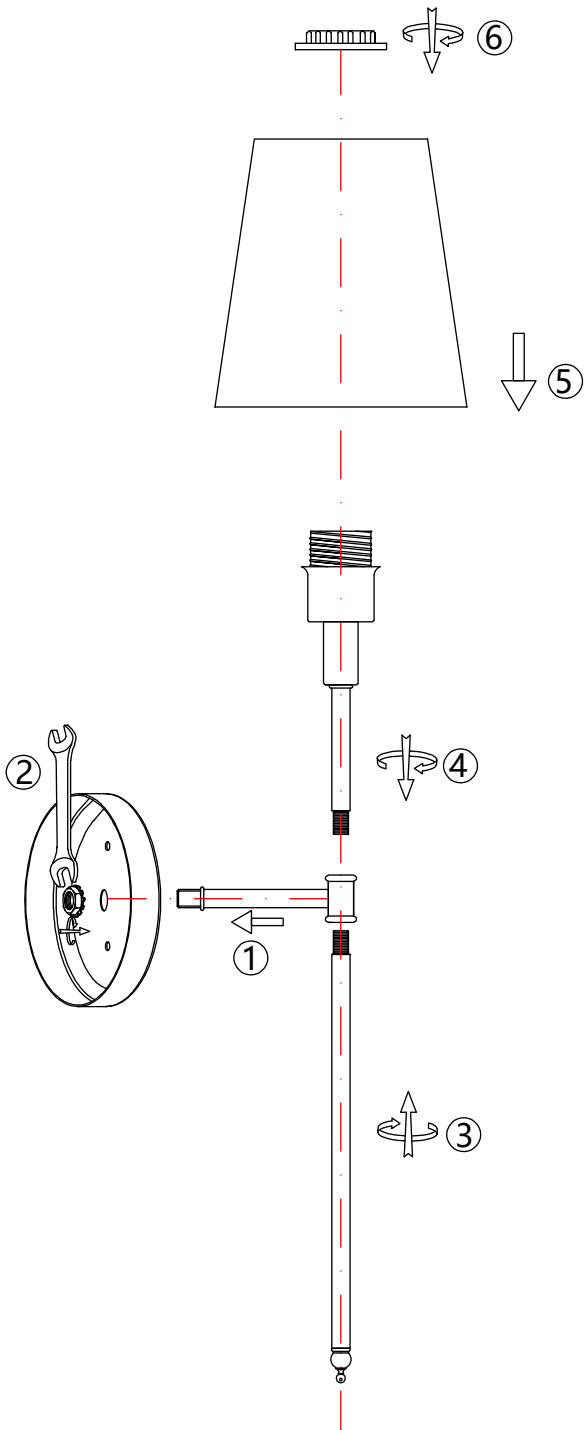
- 1.The manufacturer does not accept any responsibility for injuries or damages resulting from improper use of the light.
- 2.Warning! Before drilling the mounting holes, make sure that no gas, water or electricity pipes and wires can be drilled through or damaged in your chosen mounting location.
- 3.No user serviceable parts inside.
- 4.Place the device out of reach from children under 3 years old.

# Installation Instruction



LIGHTING SOURCE	 x1	INCLUDED	<input checked="" type="checkbox"/>
		NOTINCLUDED	<input type="checkbox"/>
Mounting plate	 x1	INCLUDED	<input checked="" type="checkbox"/>
		NOTINCLUDED	<input type="checkbox"/>
Mounting screws Expanded plastic	 x2  x2  x2	INCLUDED	<input checked="" type="checkbox"/>
		NOTINCLUDED	<input type="checkbox"/>

## 1 Installation tools are not included



## 2

