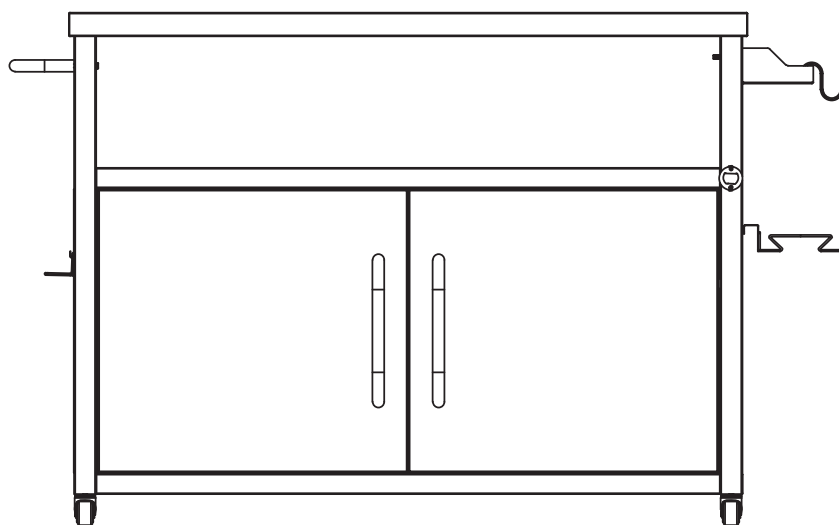


ASSEMBLY INSTRUCTION










Grill Cart



Assembly Instructions

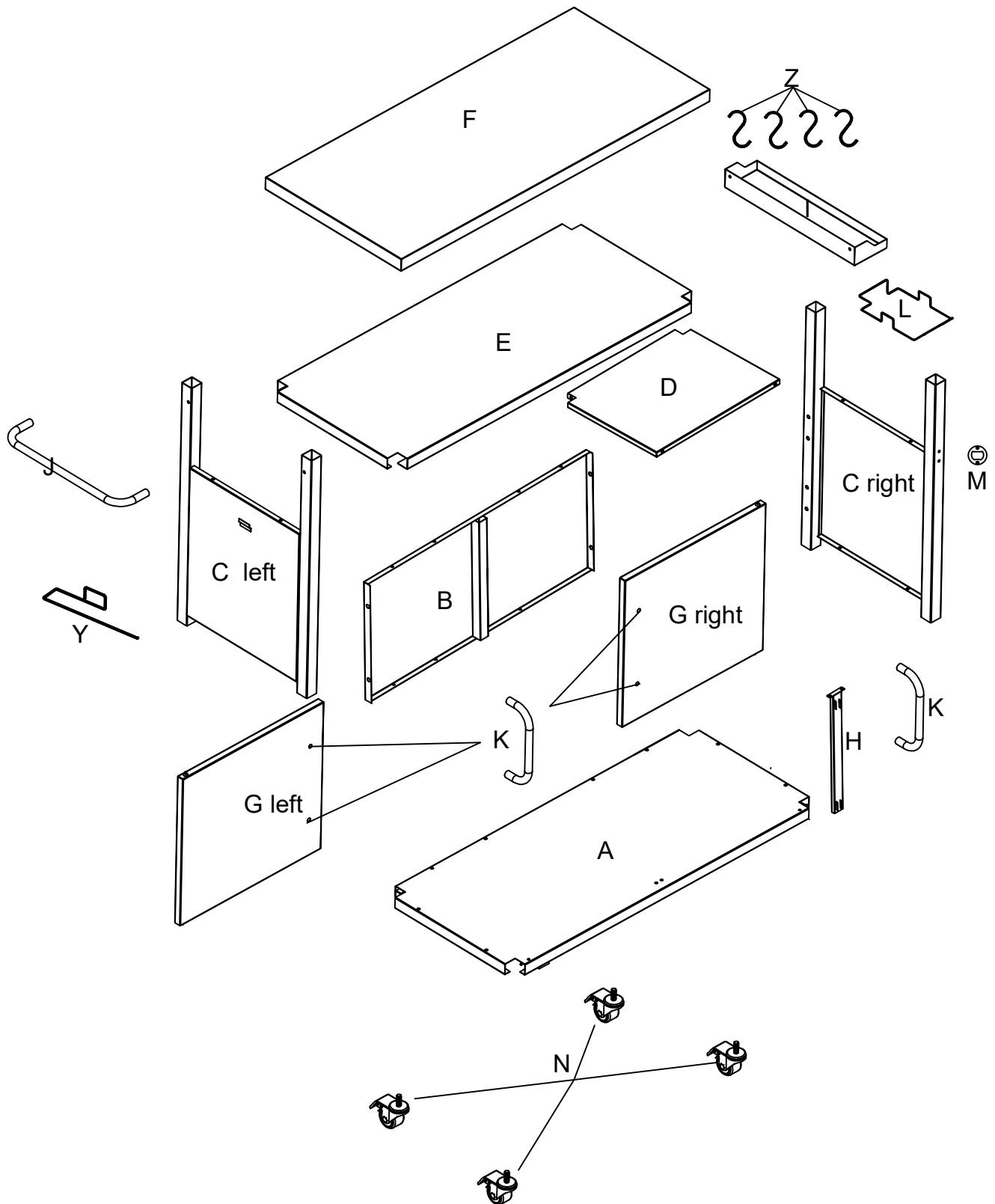
Caution : You must read this before you proceed

Care & Maintenance

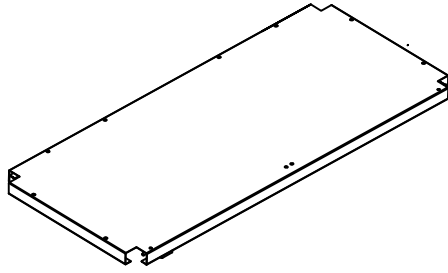
- ⊘  ● Not for commercial use. For residential use only.
- ⊘  ● Do not put hot items directly on furniture surface.
- ⊘  ● Do not clean furniture with harsh cleansers or polish.
- ✓  ● To obtain the longest lifespan of your outdoor products, minimizing exposure to direct sunlight is recommended.
- ⊘  ● Children should not climb or jump on the furniture.
- ⊘  ● Do not write on furniture without a padded barrier to protect the surface.
- ✓  ● To obtain the longest lifespan of your outdoor products, avoid extended and lengthy exposure to rain, snow, and direct sunshine. Whenever possible cover the product and /or place under patio or awnings.
- ⊘  ● Stains may be removed with mild soap solution and damp cloth.
- ✓  ● Dust and pick-up spills using a clean, non-colored, lint-free cloth.

Please look in Mobile washbasin for hardware packs and legs.
Sets often ship in multiple boxes and may arrive a day or two apart.

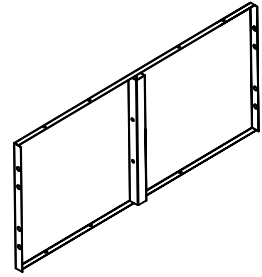
Assembly Instruction



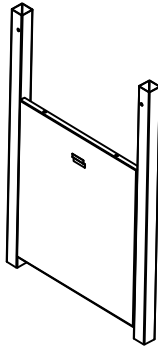
Parts Lists



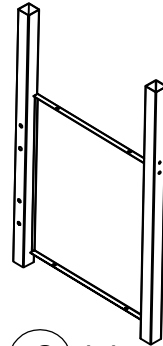
(A) x1



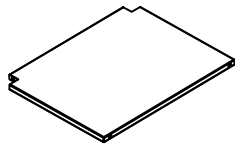
(B) x1



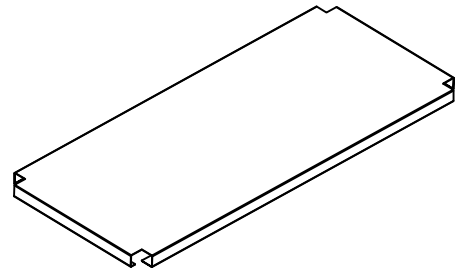
(C) left x1



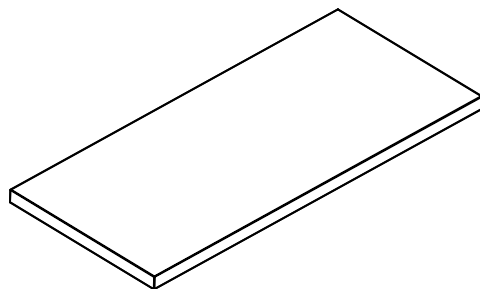
(C) right x1



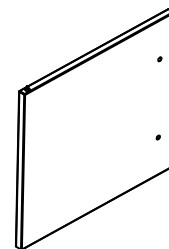
(D) x1



(E) x1

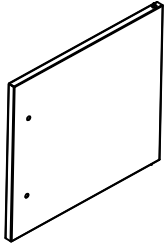


(F) x1



(G) left x1

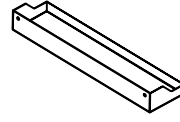
Parts Lists



Ⓒ right x1

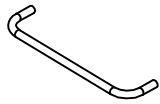


Ⓓ x1



Ⓙ x1

Hardware



(J) x1



(K) x2



(N) x4



(M) x1



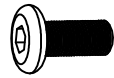
(O) x4



(P) x1



(Q) x1



M6x10mm

(1) x28



M6x15mm

(2) x4



M6x50mm

(3) x2



M4x25mm

(4) x2



(5) x4



M6

(6) x16

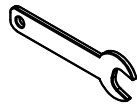


M5

(9) x4



(7) x1

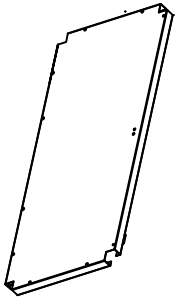


(8) x1

Before installing the Stainless steel handcart , you should prepare the following tools for installation:

- Screwdriver
- Allen wrench
- Small wrench
- Cordless drill

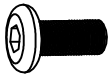
Assembly Instruction



Ⓐ x1



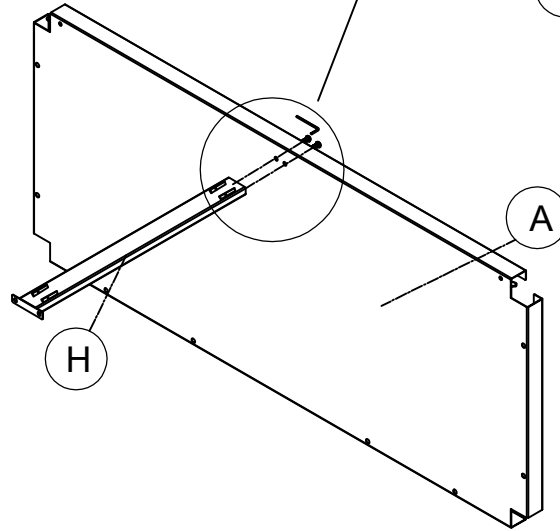
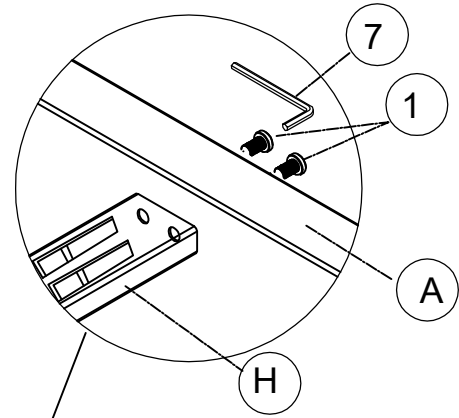
Ⓗ x1



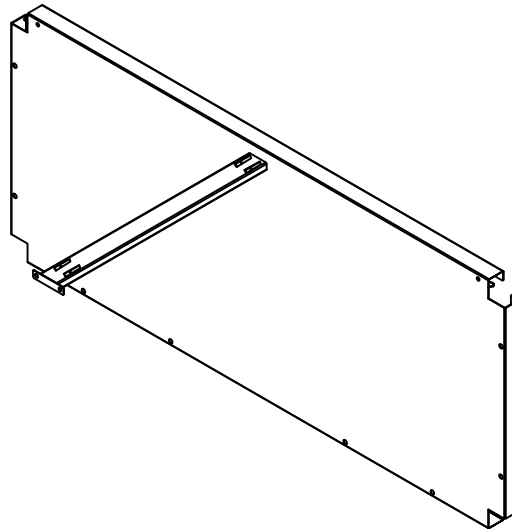
① x2



⑦ x1



picture 1



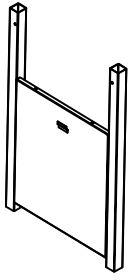
picture 2

Step 1: Install Ⓗ on Ⓐ

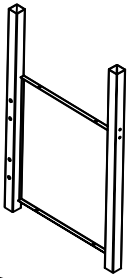
As shown in picture 1: First, put H and Ⓐ together, use screws ① to pass through the holes in both H and Ⓐ, connect H to Ⓐ, and then tighten the screws by the Allen wrench ⑦.

Note: All the corresponding hole positions and the screws must be concentric.

Assembly Instruction



Ⓒ left x1



Ⓒ right x1

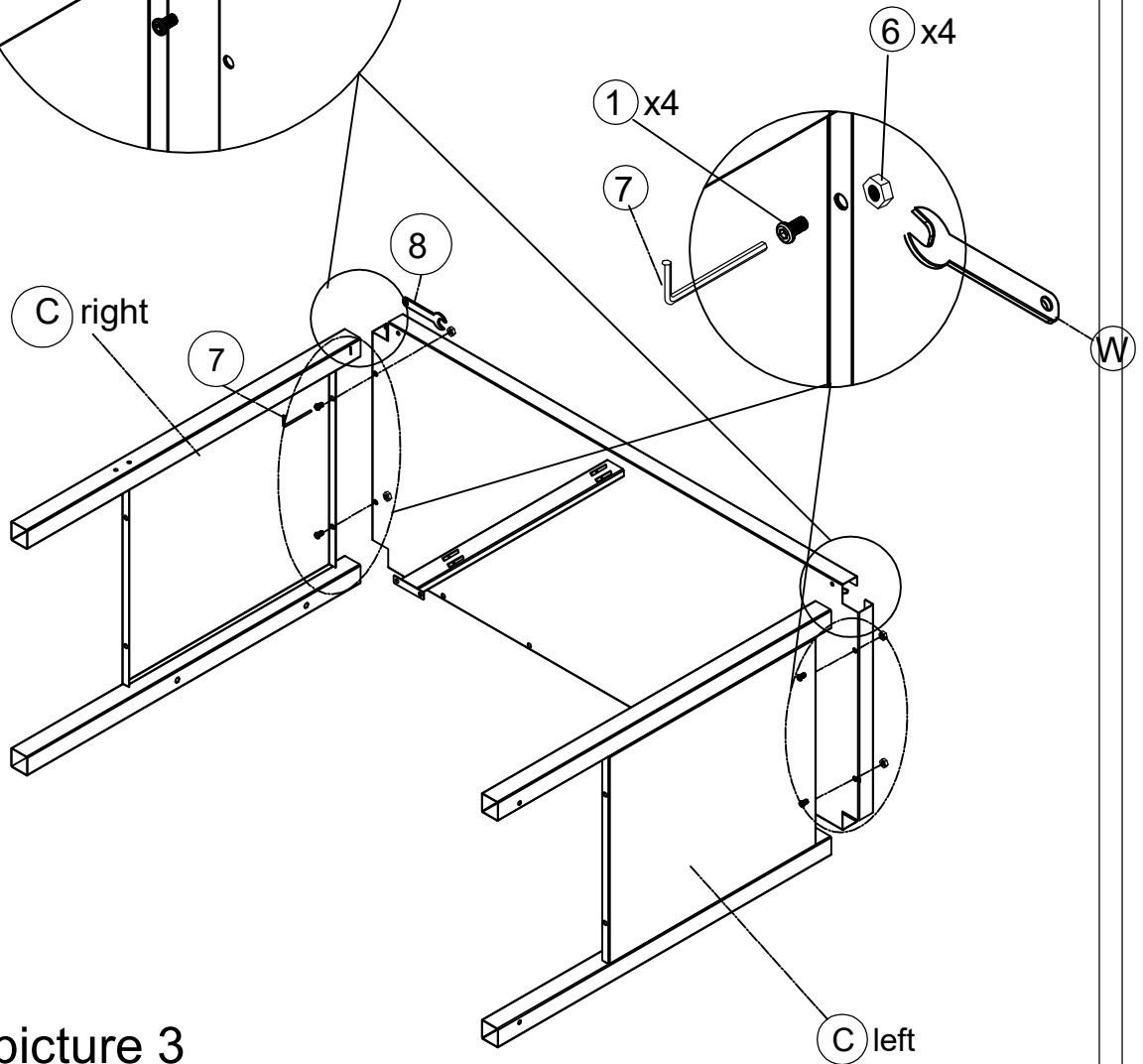
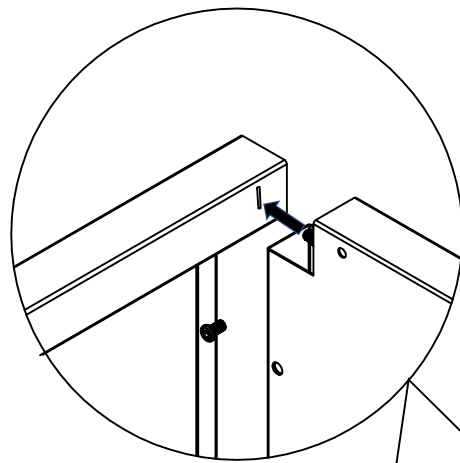


① x4



⑥ x4

5



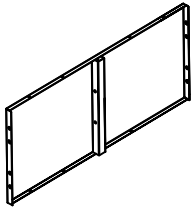
picture 3

Step 2: Install both Ⓒleft and Ⓒright

As shown in picture3: First, put Ⓐ between Ⓒleft and ⒸRight , use screws ① to pass through the holes in both Ⓒleft and Ⓐ, connect them together with the nuts ⑥, and then tighten screws and nuts, by the Allen wrench ⑦ and the Small wrench ⑧ .And you can connect Ⓒright to Ⓐ too, using the same method.

Note: All the corresponding hole positions and the screws 、 nuts must be concentric.

Assembly Instruction



(B) x1



(5) x4



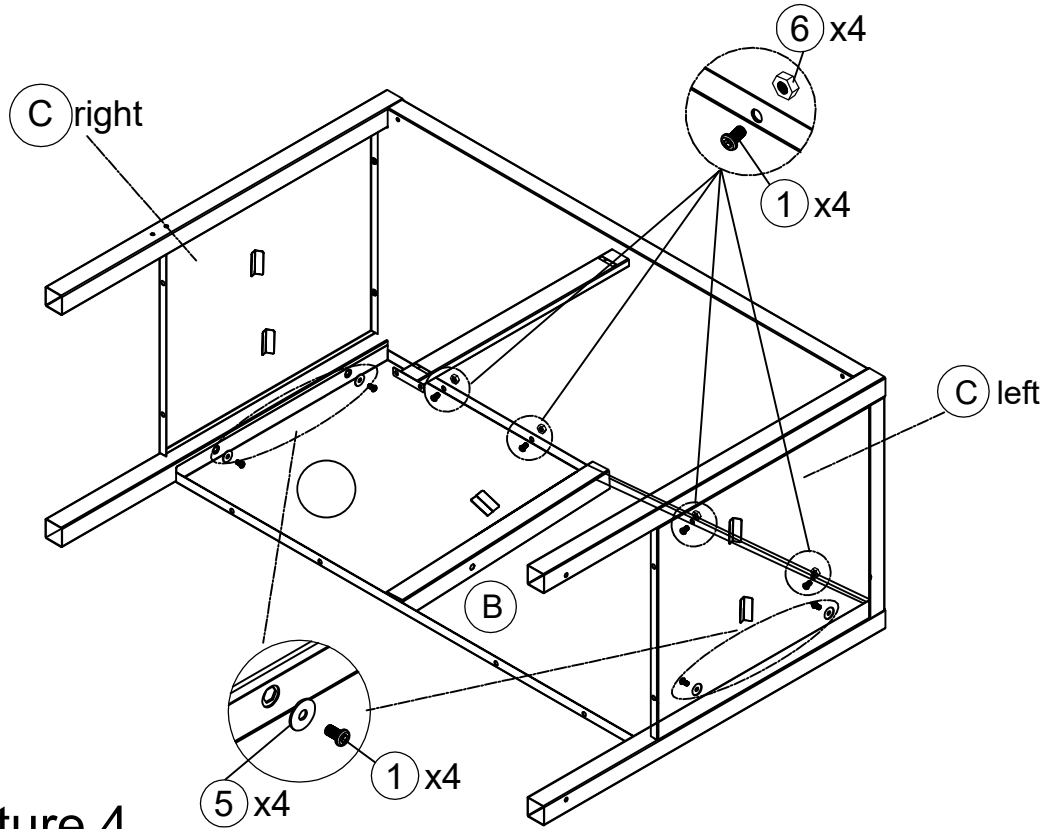
M6x10mm

(1) x8

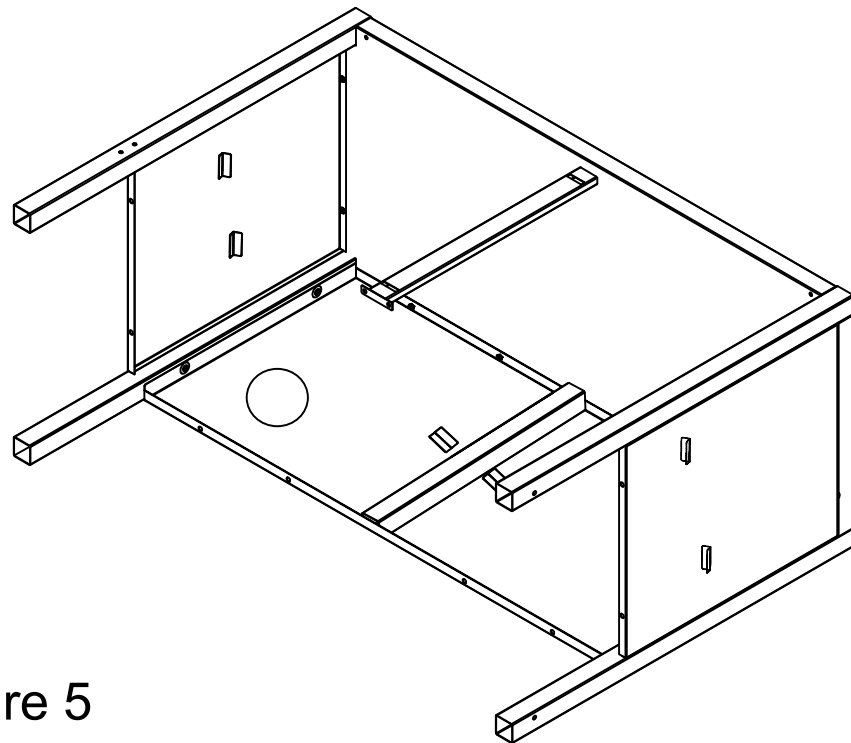


M6

(6) x4



picture 4



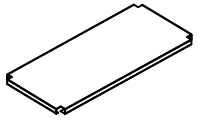
picture 5

Step 3 : Install (B) part

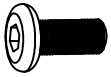
As shown in the picture 4 to 5: Put B Between (C) left and (C) right, First, connect them by screws (1) and the shims (5); Tighten the screws .Then connect (B) and (A) together by screws and the nuts.tighten the them by the Allen wrench and the Small wrench.

Note:All the corresponding hole positions must be concentric.

Assembly Instruction



Ⓔ x1



M6x10mm

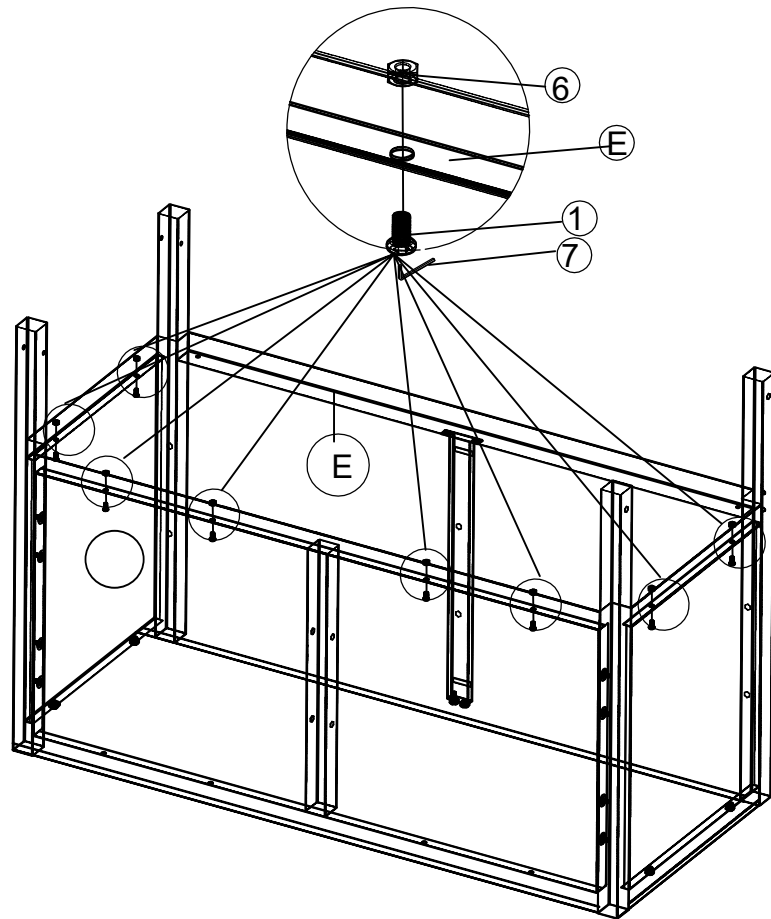
① x8



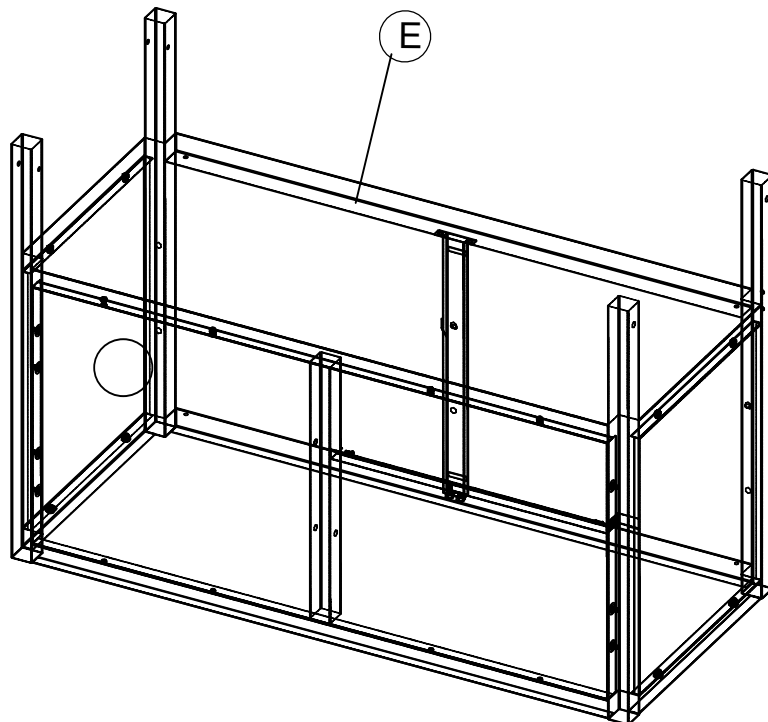
M6

⑥ x8

picture 6



picture 7

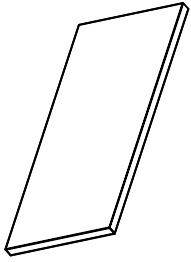


Step 4 : Install Ⓔpart

As shown in the picture 6 to 7: Put Ⓔ between the Ⓒright and Ⓒright, connect them by screws ① and nuts ⑥, tighten the screws and the nuts.

Note: All the corresponding hole positions must be concentric.

Assembly Instruction

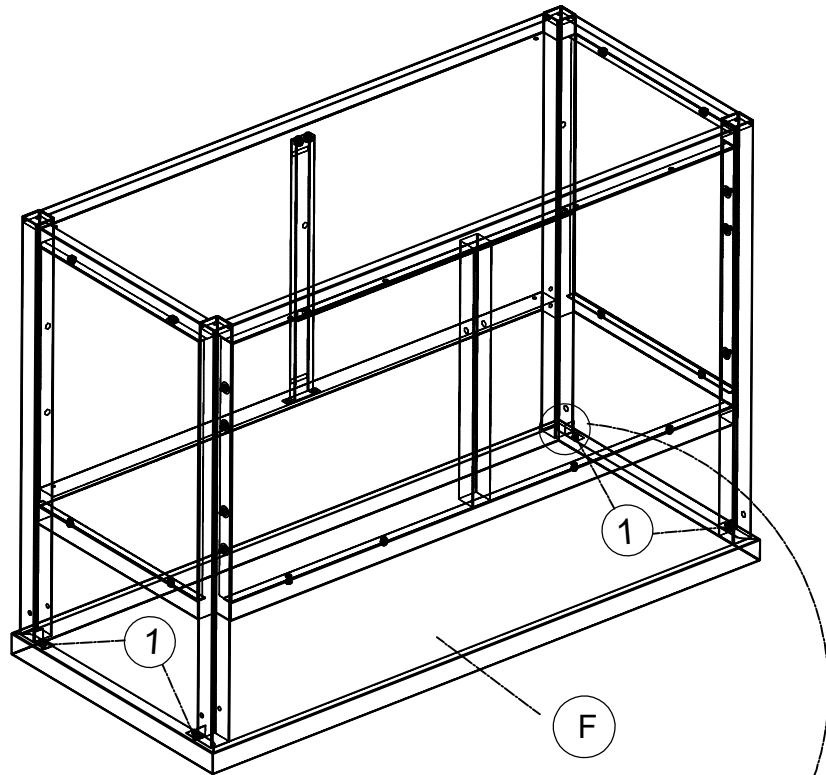


F x1

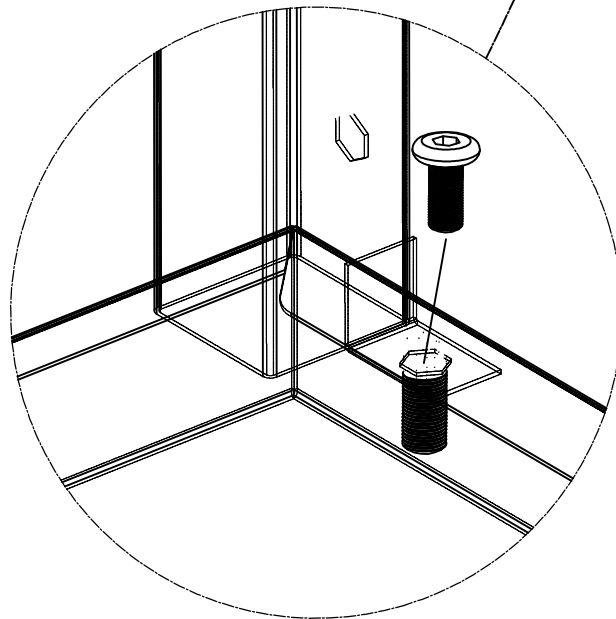


M6x10mm

1 x4



picture 8



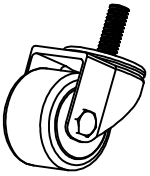
picture 9

Step 6: Install the desktop (F)

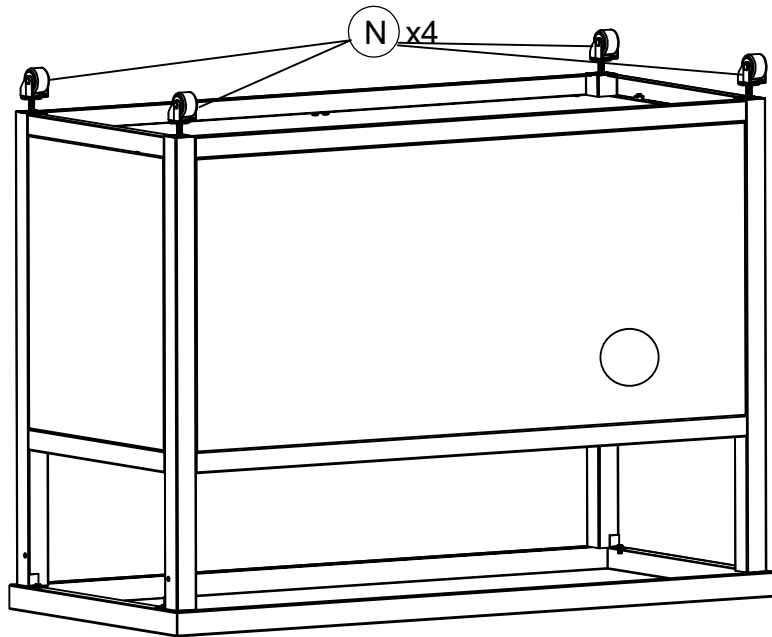
As shown in the picture 8 to picture 9: Put the desktop (F) on the ground or a platform. Put the Stainless steel handcart upside down on the desktop. Then connect them together by the screws.

Note: All the corresponding hole positions must be concentric.

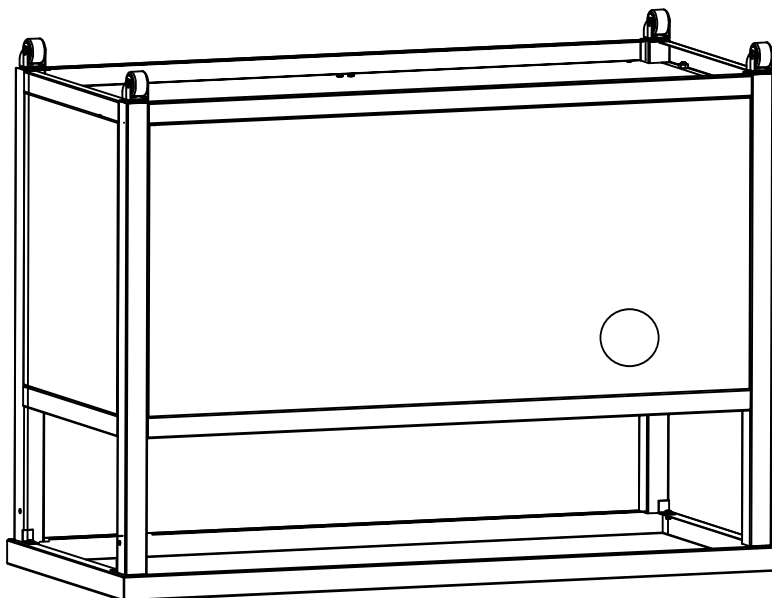
Assembly Instruction



Ⓝ x4



picture 10

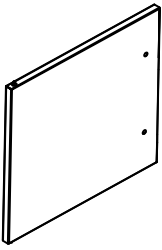


picture 11

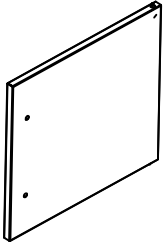
Step 7: Install the universal wheels Ⓝ

As shown in the picture 10 to 11: Put the Stainless steel handcart upside down, then install the universal wheels Ⓝ on each of the four legs. make the screws of the universal wheels and the holes on the legs are concentric. and then tighten all the screws of the universal wheels.

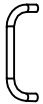
Assembly Instruction



ⓐ left x1



ⓐ right x1

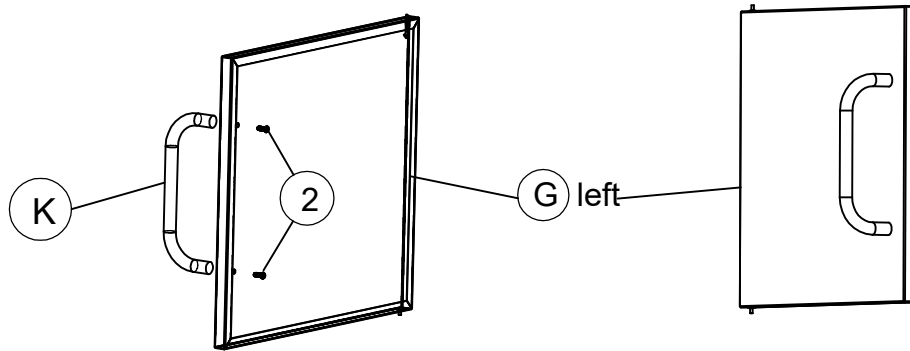


Ⓚ x2

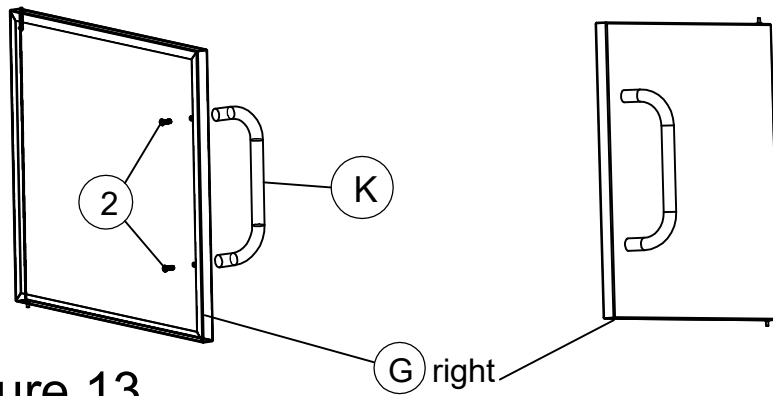


M6x15mm

② x4



picture 12



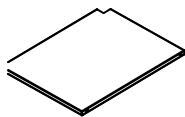
picture 13

Step 8: Install the door handle Ⓚ

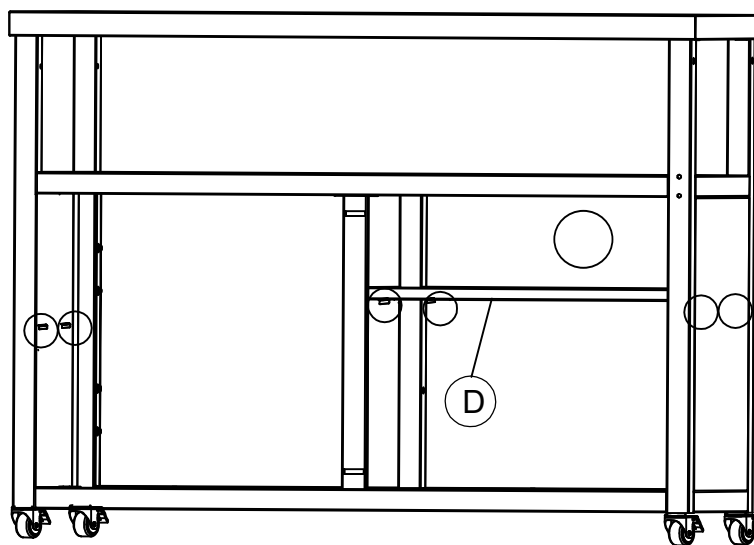
As shown in the picture 13 to picture 14:

Note: All the corresponding hole positions must be concentric.

Assembly Instruction



Ⓓx1

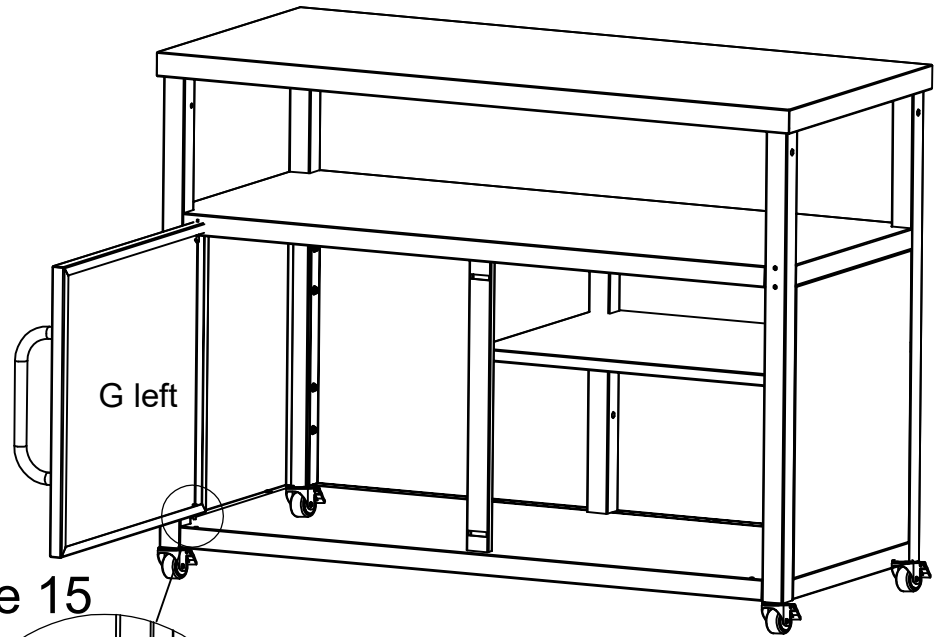


picture 14

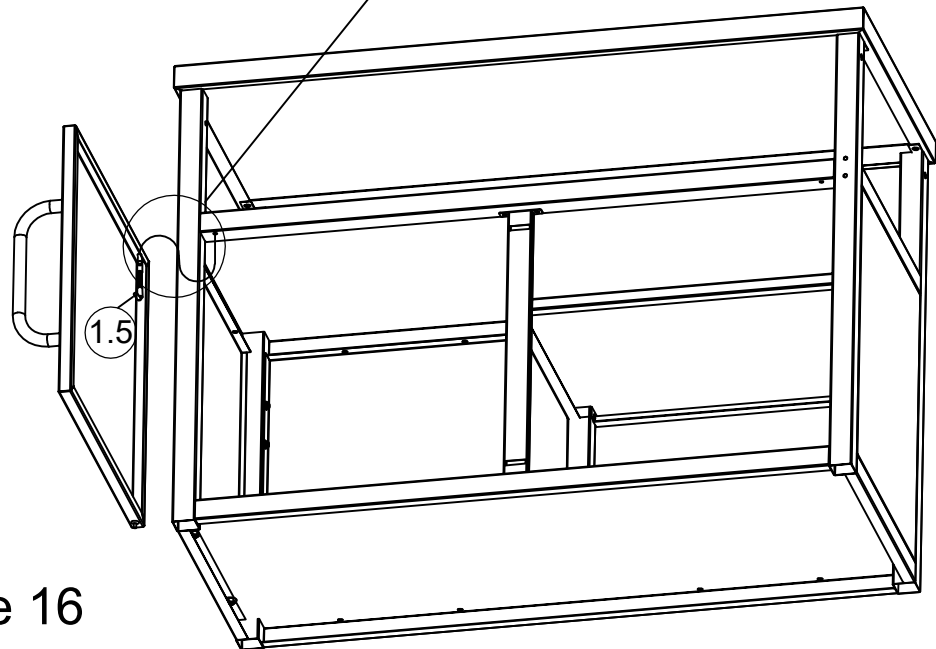
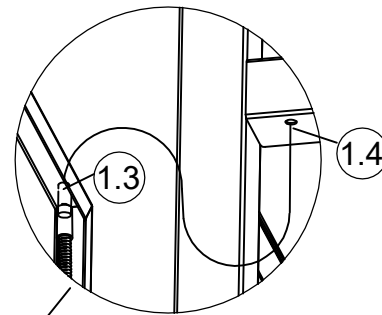
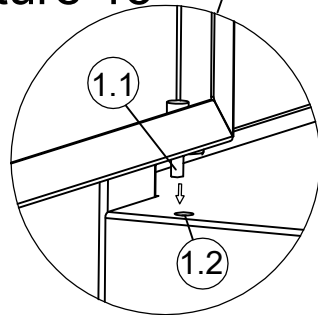
Step 9 : Install Ⓓpart

As shown in the picture 14:Put Ⓓ between the Ⓒright and Ⓓ.you can put Ⓓ in each of the other the position in under or to the lift.if you like.

Assembly Instruction



picture 15



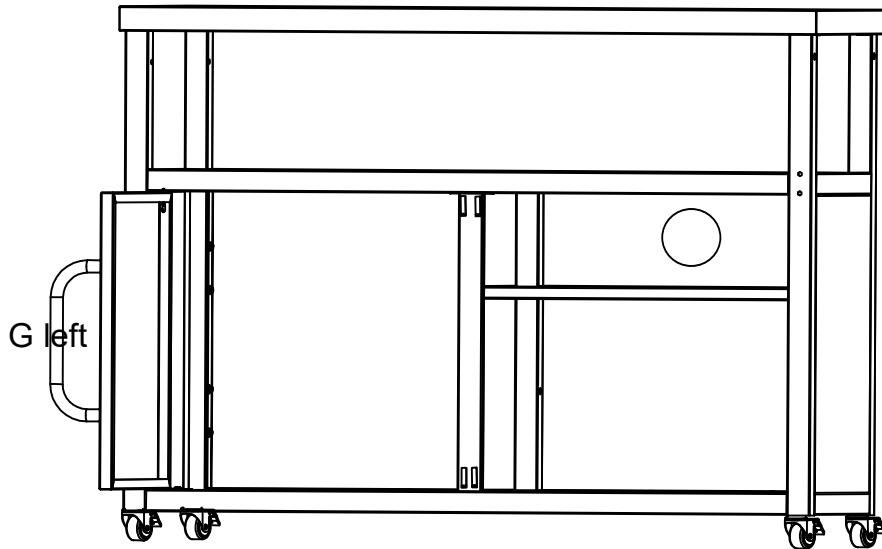
picture 16

Step 9 : Install the doors

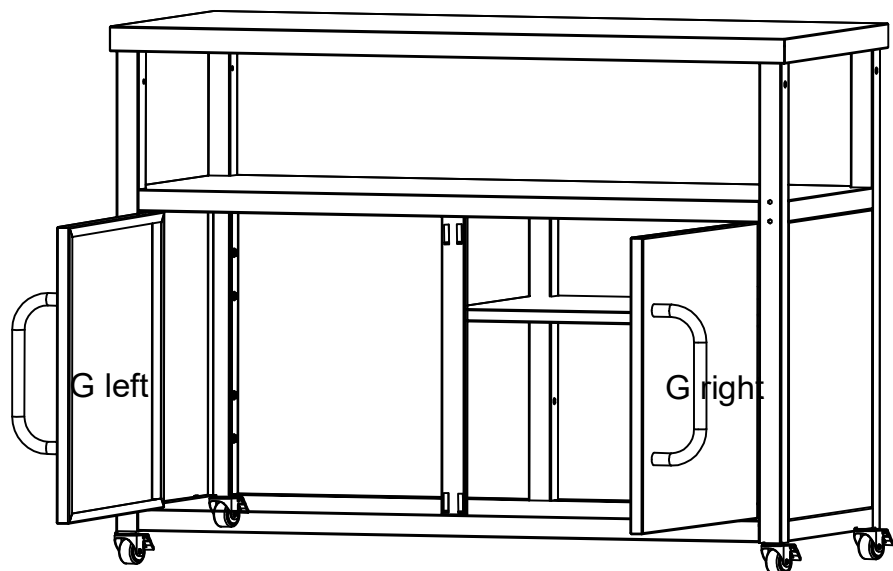
As shown in the picture 15 to picture 16: Make 1.1 target 1.2, as the picture 15, then pull the plug 1.5 down as the picture 16, and make 1.3 target 1.4, then release your hand.

Note: All the corresponding hole positions must be concentric.

Assembly Instruction



picture 17



picture 18

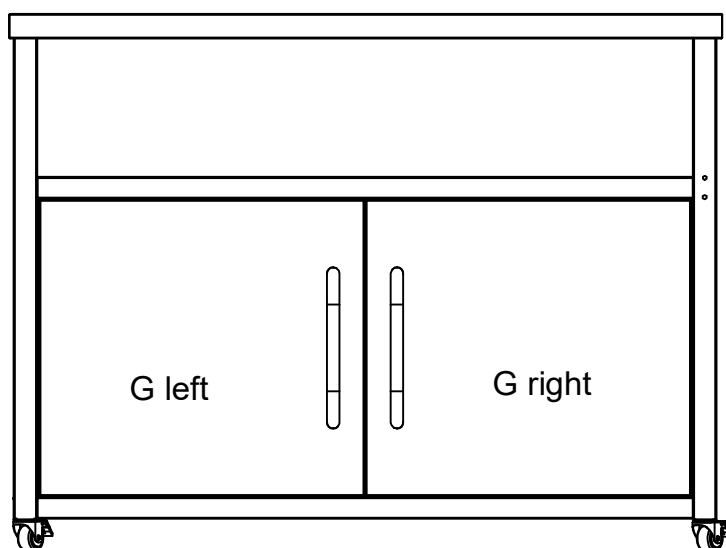
Step 9 : Install the door

As shown in the picture 17 to picture 18:

Using the same method ,you can install the right door.

Note:All the corresponding hole positions must be concentric.

Assembly Instruction



picture 19

Assembly Instruction



M x1



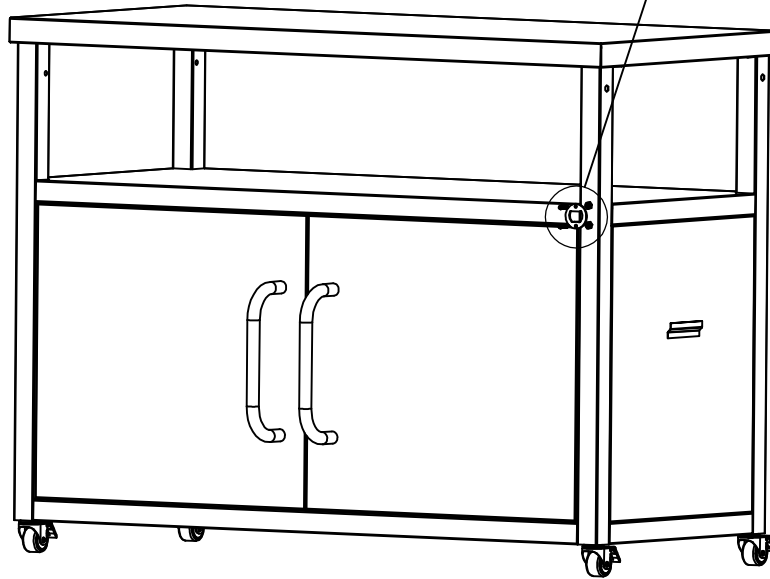
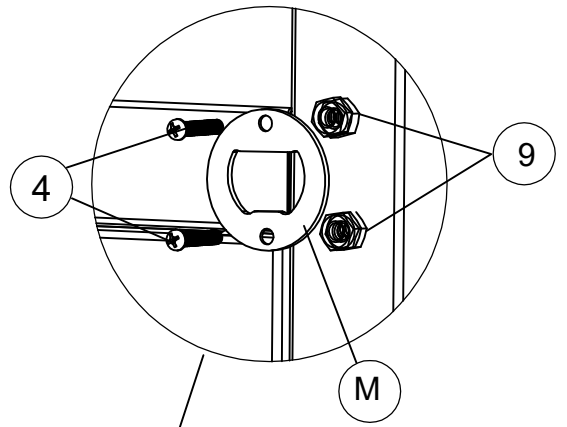
M4x25mm

4 x2

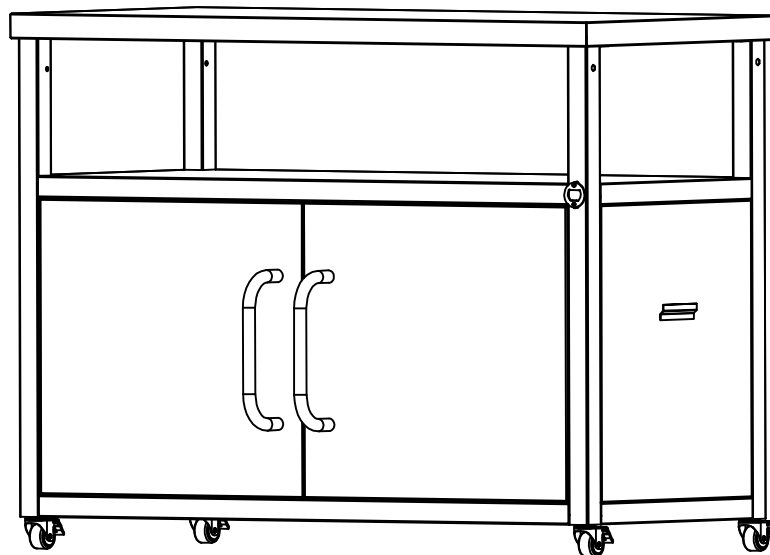


M5*4

9



picture 20



picture 21

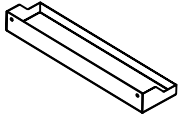
Step 11 : Install M

As shown in the picture 20 to picture 21: Put 9 between M, then connect them by the screws 4.

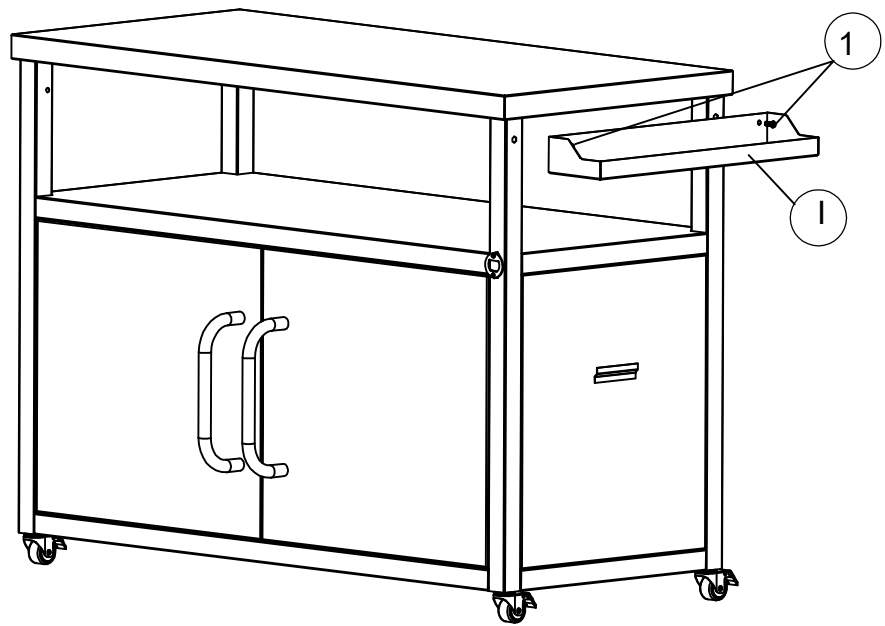
Assembly Instruction



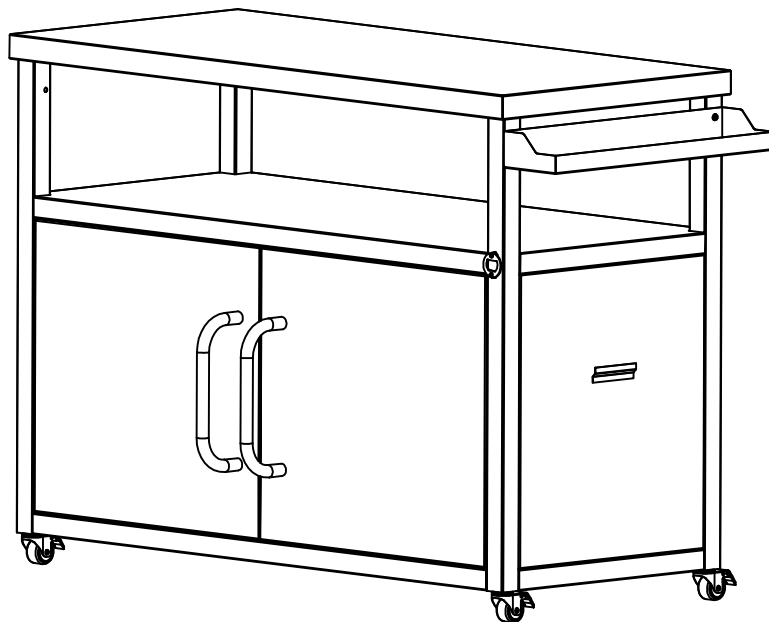
① x2



① x1

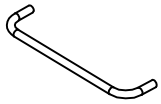


picture 22



picture 23

Step12 : Install ①
As shown in the picture 22 to picture 23:



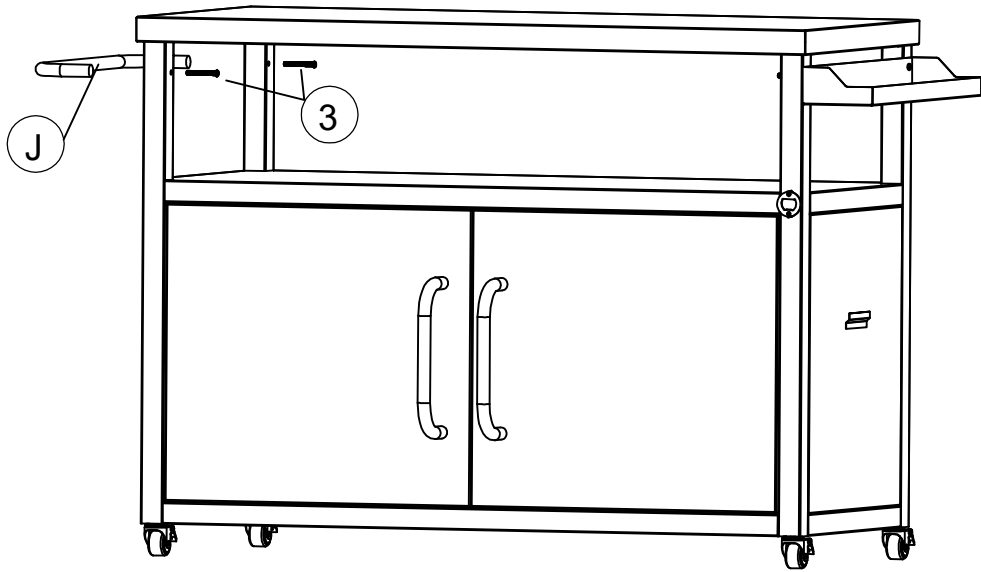
Assembly Instruction

ⓐ x1

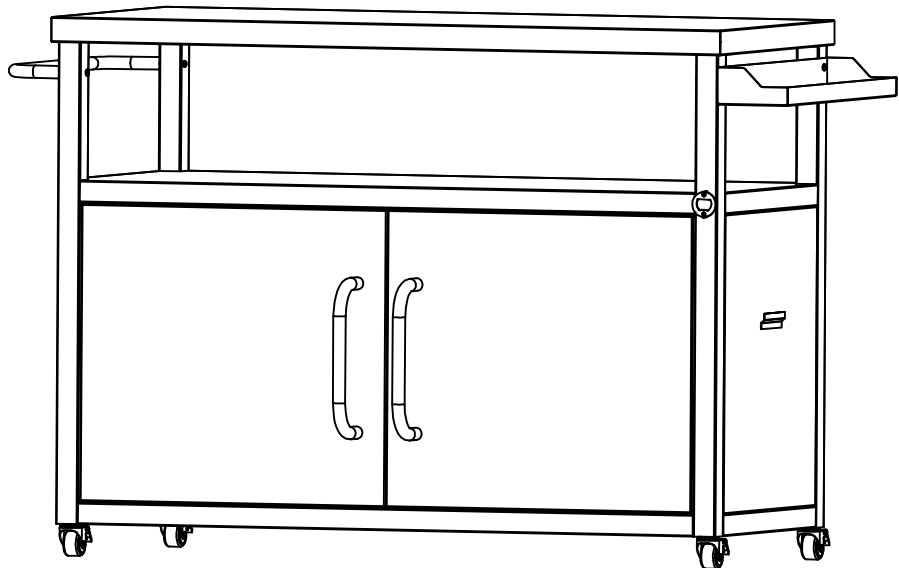


M6x50mm

ⓑ x2



picture 24



picture 25

Step 13 : Install the handleⓐ
As shown in the picture 24 to picture 25:

Assembly Instruction



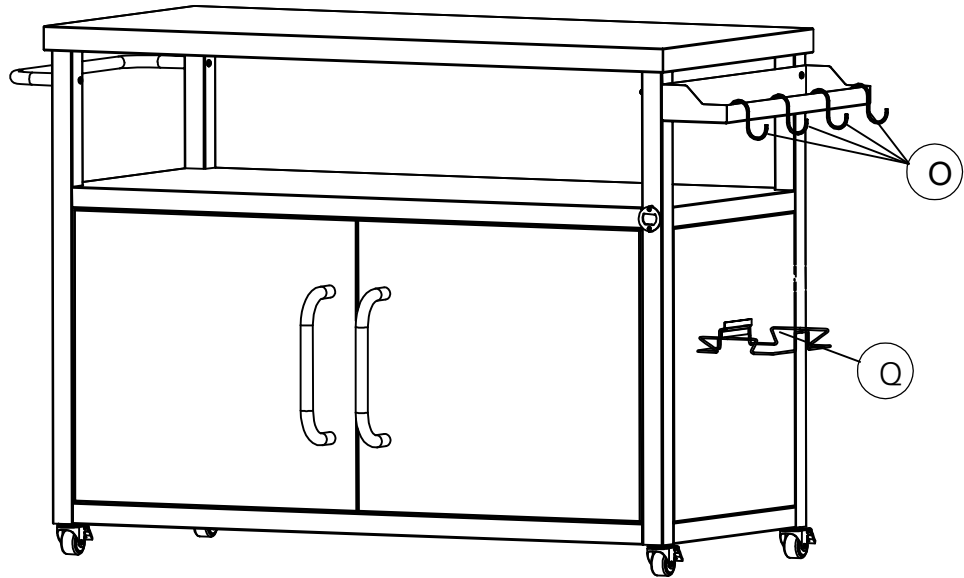
Q x1



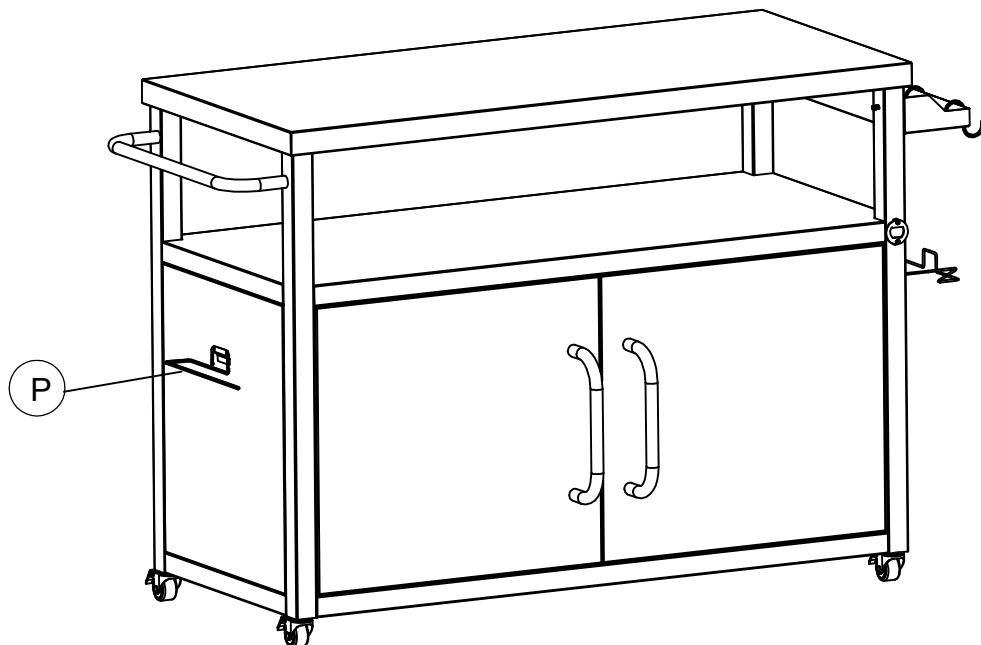
O x4



P x1



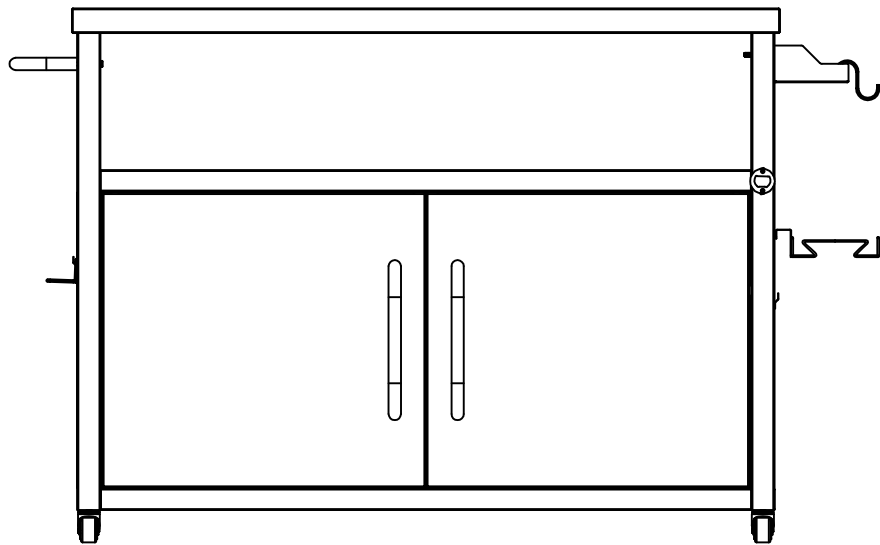
picture 26



picture 27

Step 13 : Install O, P and Q
As shown in the picture 26 to picture 27.

Assembly Instruction



picture 28

Please remove the desktop protective film before using the product.

Questions & Answers about Proposition 65

- What is Proposition 65?

Proposition 65 requires businesses to provide warnings to Californians about significant exposures to chemicals that cause cancer, birth defects or other reproductive harm. These chemicals can be in the products that Californians purchase, in their homes or workplaces, or that are released into the environment. By requiring that this information be provided, Proposition 65 enables Californians to make informed decisions about their exposures to these chemicals.

Proposition 65 also prohibits California businesses from knowingly discharging significant amounts of listed chemicals into sources of drinking water.

Proposition 65 requires California to publish a list of chemicals known to cause cancer, birth defects or other reproductive harm. This list, which must be updated at least once a year, has grown to include approximately 900 chemicals since it was first published in 1987.

- What types of chemicals are on the Proposition 65 list?

The list contains a wide range of naturally occurring and synthetic chemicals that include additives or ingredients in pesticides, common household products, food, drugs, dyes, or solvents. Listed chemicals may also be used in manufacturing and construction, or they may be byproducts of chemical processes, such as motor vehicle exhaust.

- What does a warning mean?

If a warning is placed on a product label or posted or distributed at a workplace, a business, or in rental housing, the business issuing the warning is aware or believes that it is exposing individuals to one or more listed chemicals.

By law, a warning must be given for listed chemicals unless the exposure is low enough to pose no significant risk of cancer or is significantly below levels observed to cause birth defects or other reproductive harm.

- Where can I get more information on Proposition 65?

If you have specific questions on the administration or implementation of Proposition 65, you can contact OEHHA's Proposition 65 program at P65.Questions@oehha.ca.gov, or by phone at (916) 445-6900.