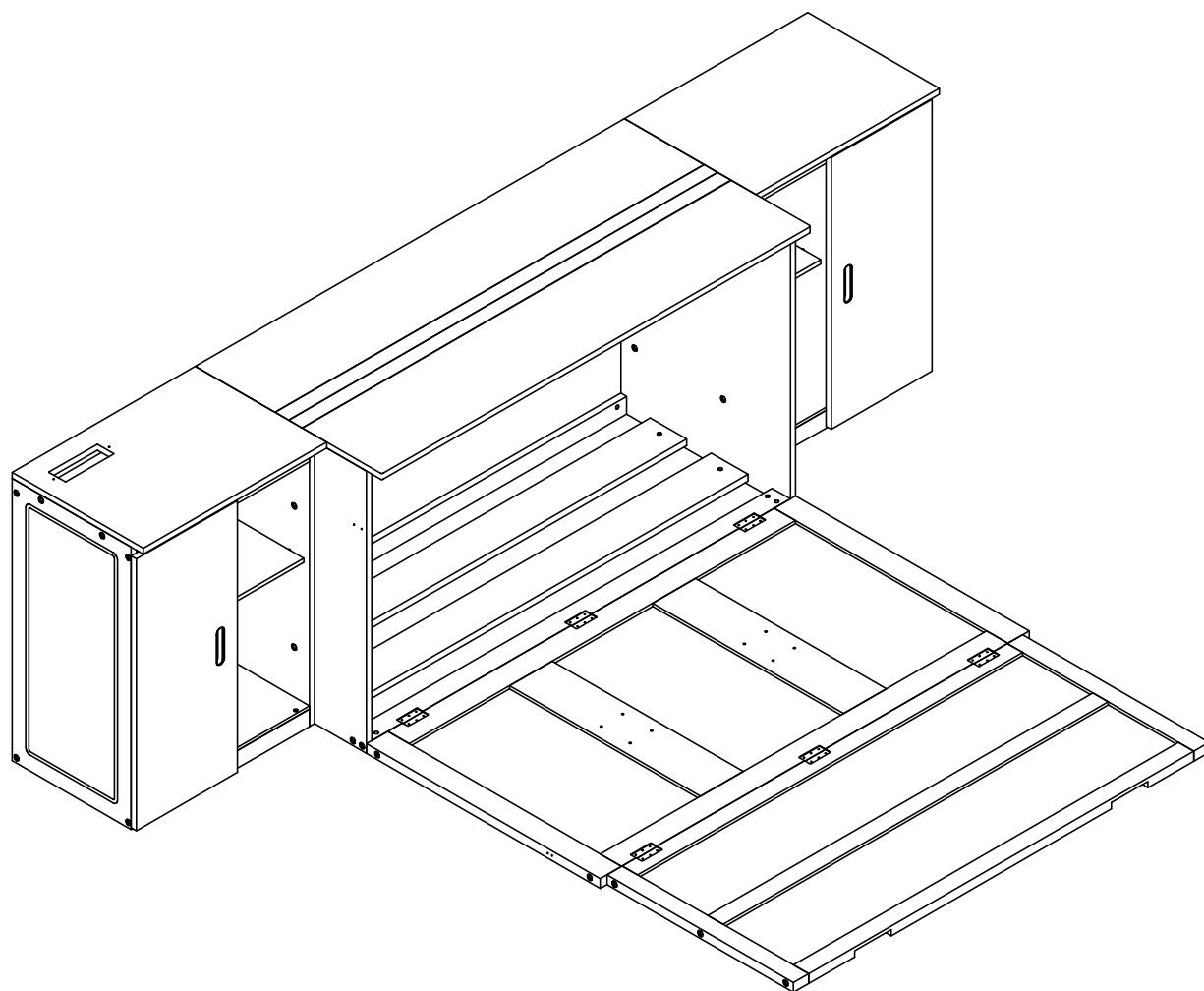
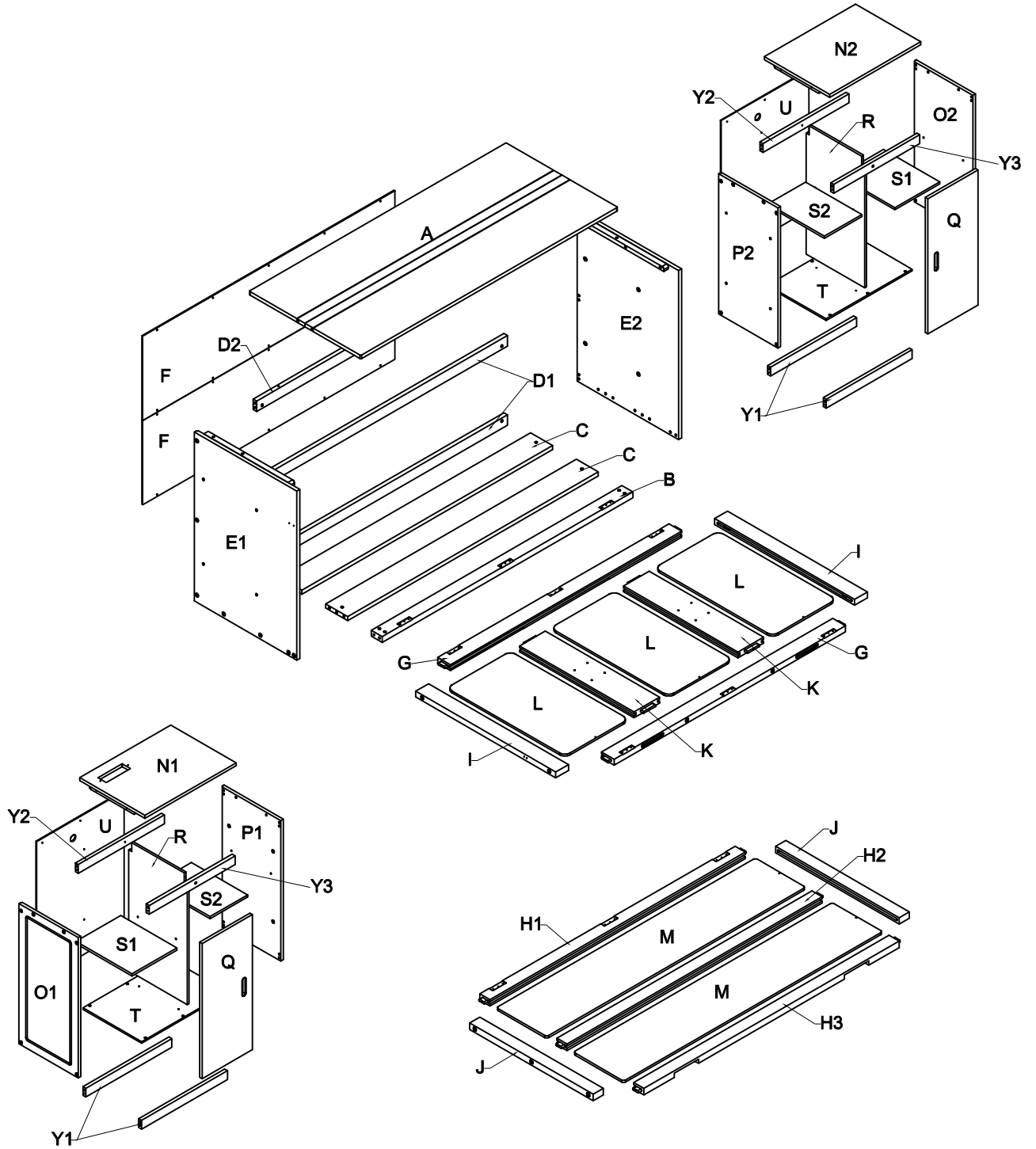


# ASSEMBLY INSTRUCTIONS

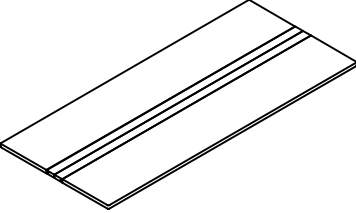
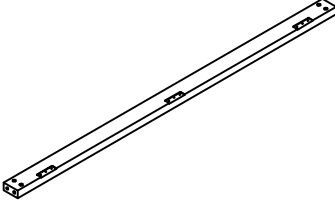
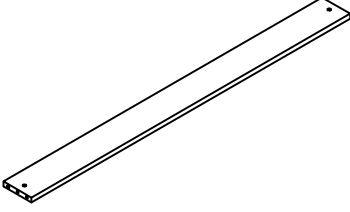
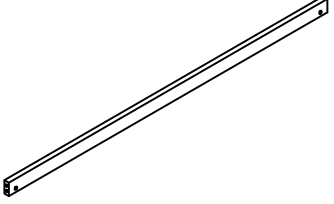
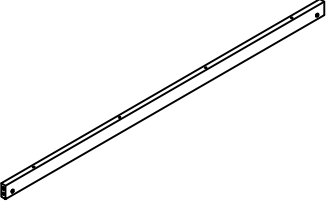
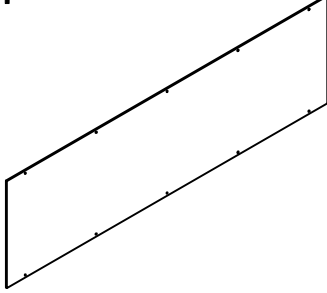
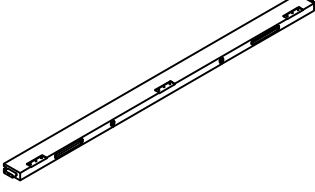
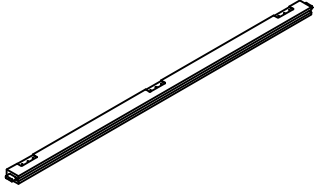
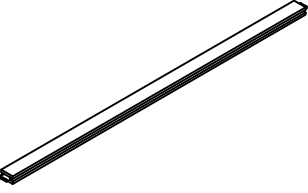
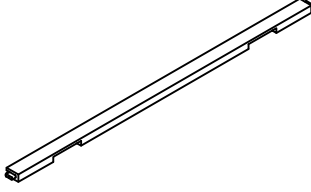
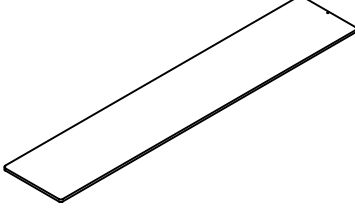
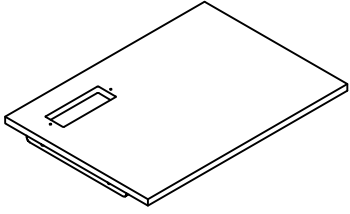
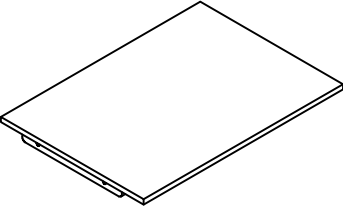
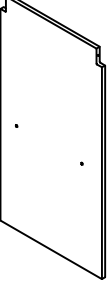
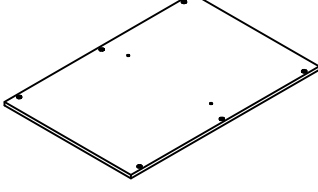
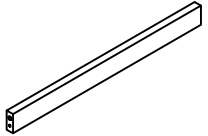
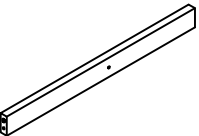
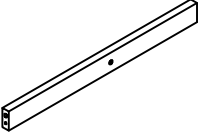
ITEM CODE: WF321635-WF321636



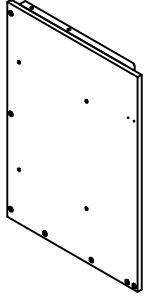
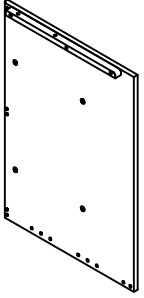
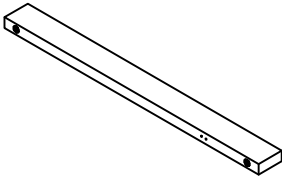
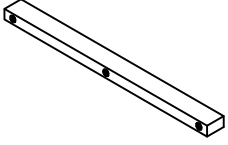
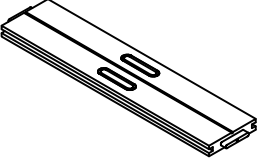
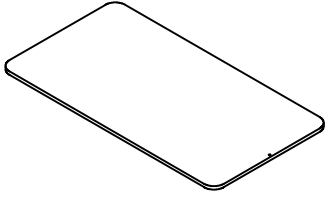
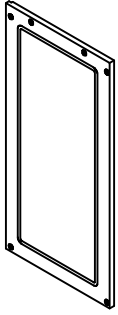
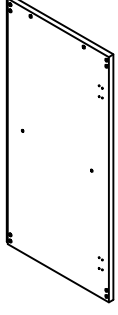
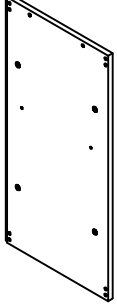
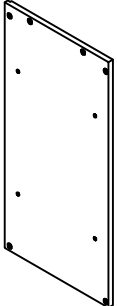
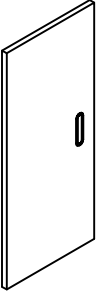
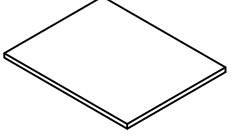
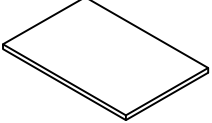
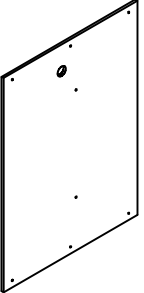
# DETAIL VIEW



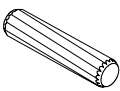
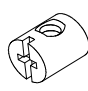
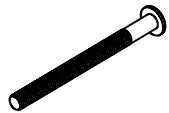
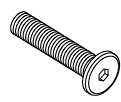


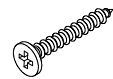
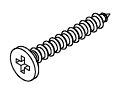
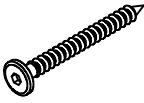


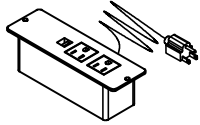
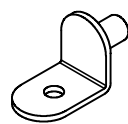

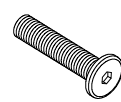
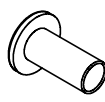
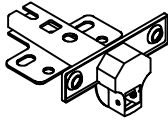
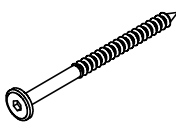
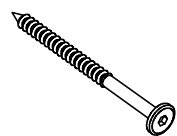
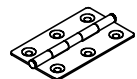
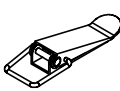

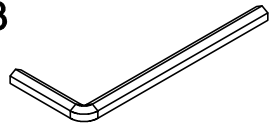
# BOX 1: WF321635

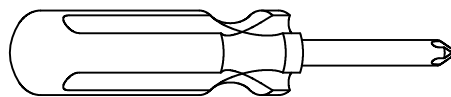
<p><b>A</b></p>  <p>Top panel (1pc)</p>	<p><b>B</b></p>  <p>Bottom panel (1pc)</p>	<p><b>C</b></p>  <p>Bottom panel (2pcs)</p>	<p><b>D1</b></p>  <p>Back rail (2pcs)</p>
<p><b>D2</b></p>  <p>Back rail (1pc)</p>	<p><b>F</b></p>  <p>Back panel (2pcs)</p>	<p><b>G</b></p>  <p>Horizontal rail (2pcs)</p>	<p><b>H1</b></p>  <p>Horizontal rail (1pc)</p>
<p><b>H2</b></p>  <p>Horizontal rail (1pc)</p>	<p><b>H3</b></p>  <p>Horizontal rail (1pc)</p>	<p><b>M</b></p>  <p>Front panel (2pcs)</p>	<p><b>N1</b></p>  <p>Cabinet face - left (1pc)</p>
<p><b>N2</b></p>  <p>Cabinet face - right (1pc)</p>	<p><b>R</b></p>  <p>Middle partition (2pcs)</p>	<p><b>T</b></p>  <p>Bottom floor (2pcs)</p>	<p><b>Y1</b></p>  <p>Support bottom (4pcs)</p>
<p><b>Y2</b></p>  <p>Cabinet roof support (2pcs)</p>	<p><b>Y3</b></p>  <p>Cabinet roof support (2pcs)</p>		

# BOX 2: WF321636

<p><b>E1</b></p>  <p>Side frame - left (1pc)</p>	<p><b>E2</b></p>  <p>Side frame - right (1pc)</p>	<p><b>I</b></p>  <p>Vertical side rail (2pcs)</p>	<p><b>J</b></p>  <p>Vertical side rail (2pcs)</p>
<p><b>K</b></p>  <p>Vertical bar (2pcs)</p>	<p><b>L</b></p>  <p>Front panel (3pcs)</p>	<p><b>O1</b></p>  <p>Side frame - left (1pc)</p>	<p><b>O2</b></p>  <p>Side frame - right (1pc)</p>
<p><b>P1</b></p>  <p>Side frame - right (1pc)</p>	<p><b>P2</b></p>  <p>Side frame - left (1pc)</p>	<p><b>Q</b></p>  <p>Door (2pcs)</p>	<p><b>S1</b></p>  <p>Cabinet shelves (2pcs)</p>
<p><b>S2</b></p>  <p>Cabinet shelves (2pcs)</p>	<p><b>U</b></p>  <p>Back panel (2pcs)</p>		

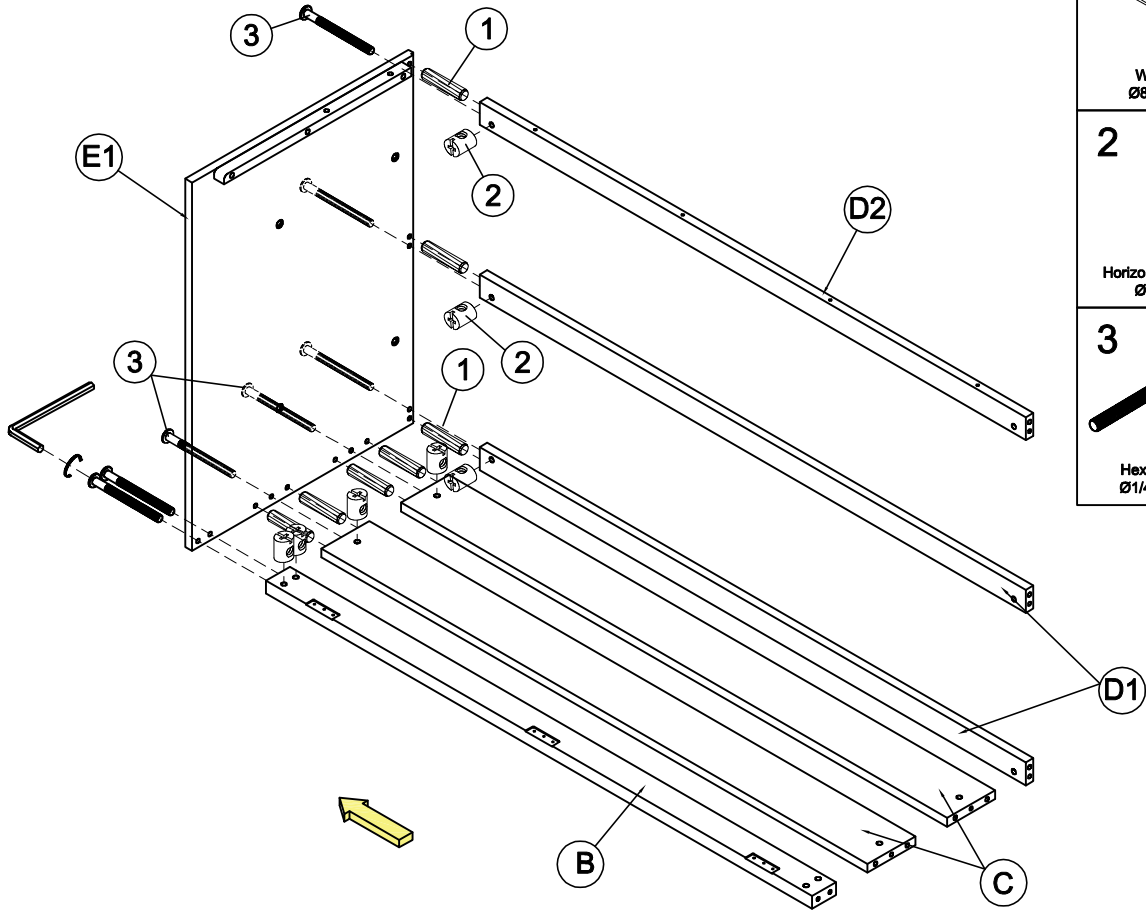
# HARDWARE LIST: WF321636

<p>1</p>  <p>Wood dowel Ø8 * 30 - 30pcs</p>	<p>2</p>  <p>Horizontal - Hold bolts Ø1/4" - 14pcs</p>	<p>3</p>  <p>Hex - Head bolts Ø1/4" * 60 - 14pcs</p>	<p>4</p>  <p>Hex - Head bolts Ø1/4" * 30 - 12pcs</p>
<p>5</p>  <p>Wood crews M4 * 45 - 4pcs</p>	<p>6</p>  <p>Round wood crews M3.5 * 15 - 20pcs</p>	<p>7</p>  <p>Wood crews M4 * 25 - 16pcs</p>	<p>8</p>  <p>Wood crews M4 * 35 - 4pcs</p>
<p>9</p>  <p>Hexagonal bolts catch wood Ø1/4" * 50 - 16pcs</p>	<p>10</p>  <p>Round wood crews M3.5 * 20 - 16pcs</p>	<p>11</p>  <p>Wood crews M3.5 * 15 - 70pcs</p>	<p>12</p>  <p>Power outlet - 1pc</p>
<p>13</p>  <p>L-Shaped Supports - 16pcs</p>	<p>14</p>  <p>Wood crews M3.5 * 12 - 16pcs</p>	<p>15</p>  <p>Hex - Head bolts Ø1/4" * 25 - 8pcs</p>	<p>16</p>  <p>Canopy head though Ø1/4" - 8pcs</p>
<p>17</p>  <p>Full Overlay - 4pcs</p>	<p>18</p>  <p>Hexagonal bolts catch wood Ø1/4" * 90 - 8pcs</p>	<p>19</p>  <p>Hexagonal bolts catch wood Ø1/4" * 70 - 6pcs</p>	<p>20</p>  <p>Hinge - 6pcs</p>
<p>21</p>  <p>Duckbill lock A - 2pcs</p>	<p>22</p>  <p>Duckbill lock B - 2pcs</p>	<p>23</p>  <p>Allen key K4 - 2pcs</p>	



Assembly Tools Required (Not Included)

# STEP 1



1



Wood dowel  
Ø8 \* 30 - 7pcs

2



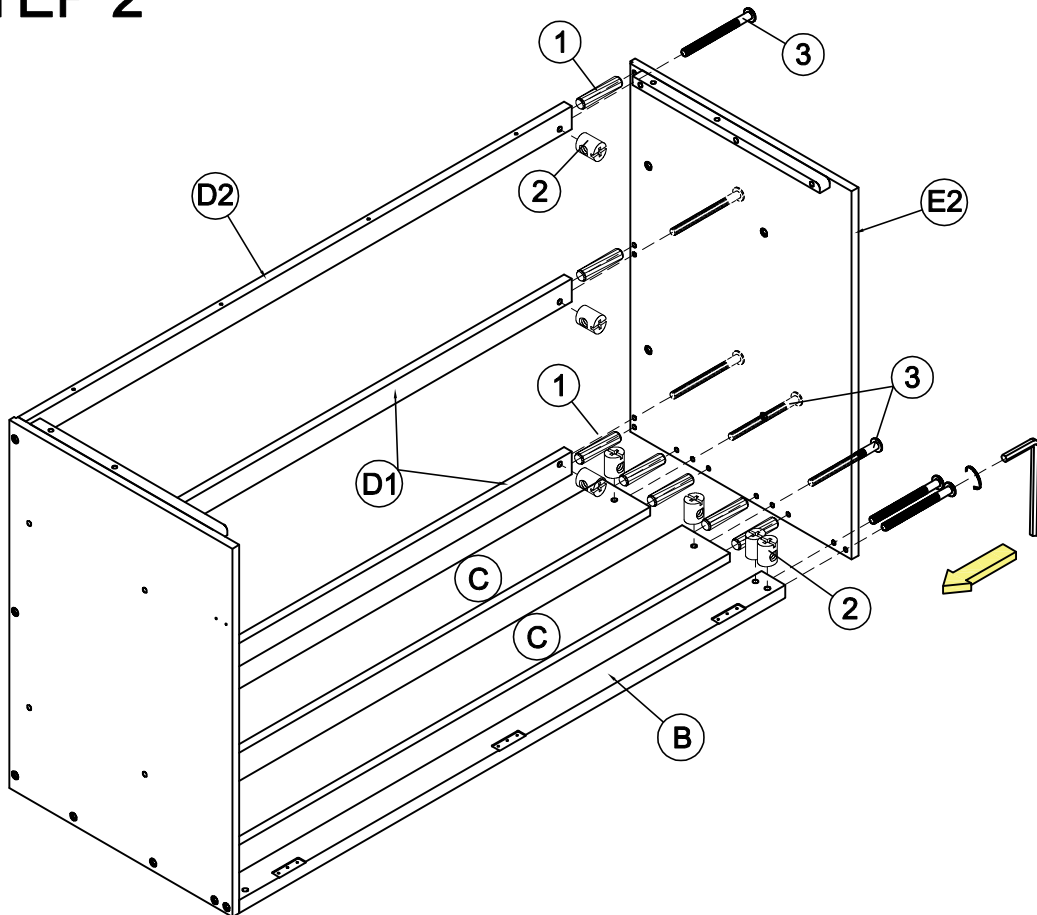
Horizontal - Hold bolts  
Ø1/4" - 7pcs

3



Hex - Head bolts  
Ø1/4" \* 60 - 7pcs

# STEP 2



1



Wood dowel  
Ø8 \* 30 - 7pcs

2



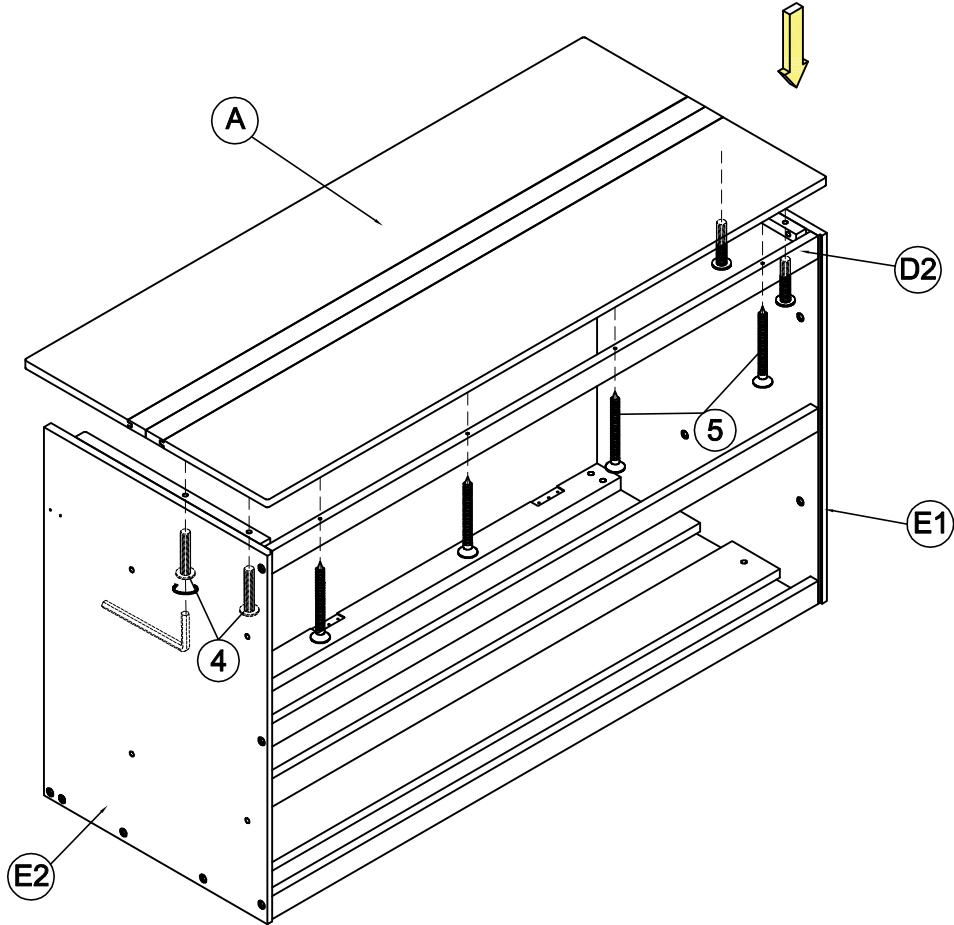
Horizontal - Hold bolts  
Ø1/4" - 7pcs

3



Hex - Head bolts  
Ø1/4" \* 60 - 7pcs

# STEP 3



4



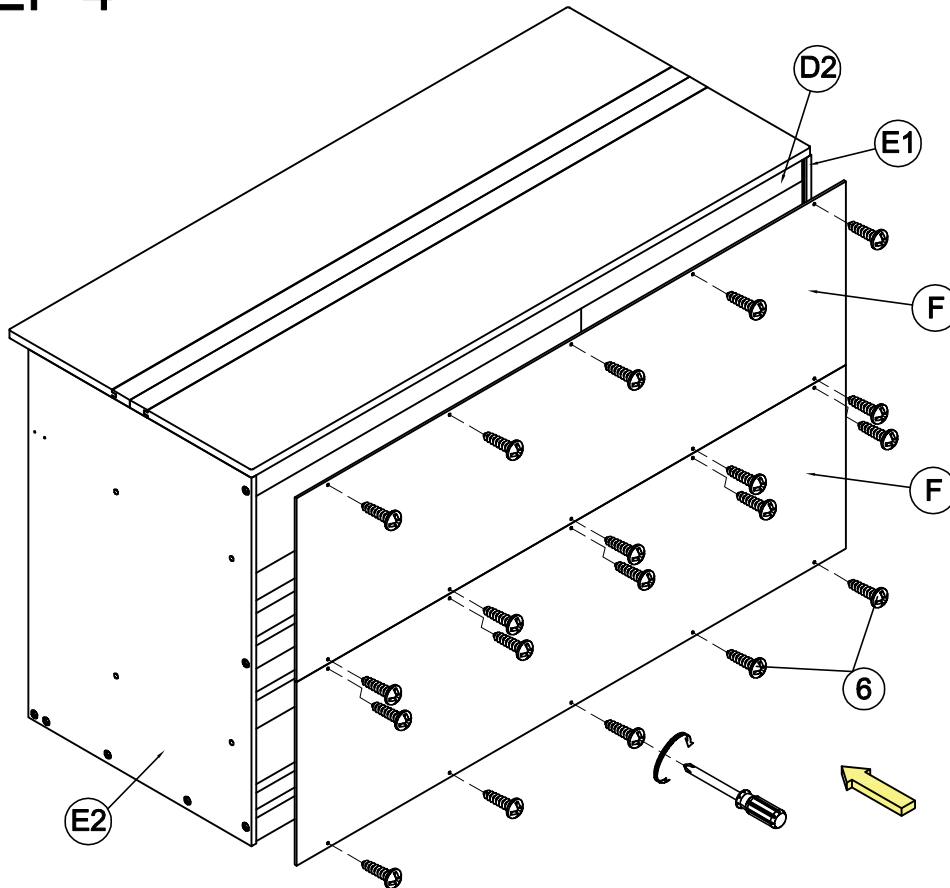
Hex - Head bolts  
Ø1/4" \* 30 - 4pcs

5



Wood crews  
M4 \* 45 - 4pcs

# STEP 4



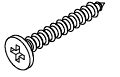
6



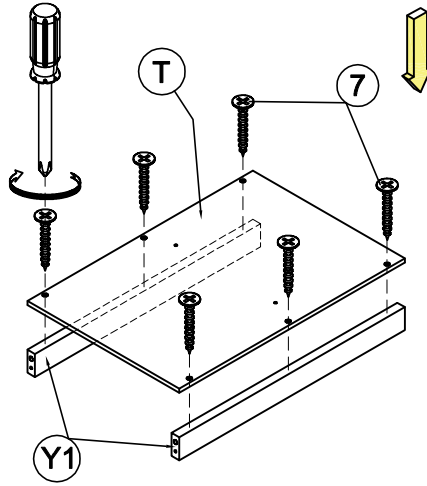
Round wood crews  
M3.5 \* 15 - 20pcs

# STEP 5

7



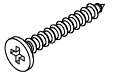
Wood crews  
M4 \* 25 - 12pcs



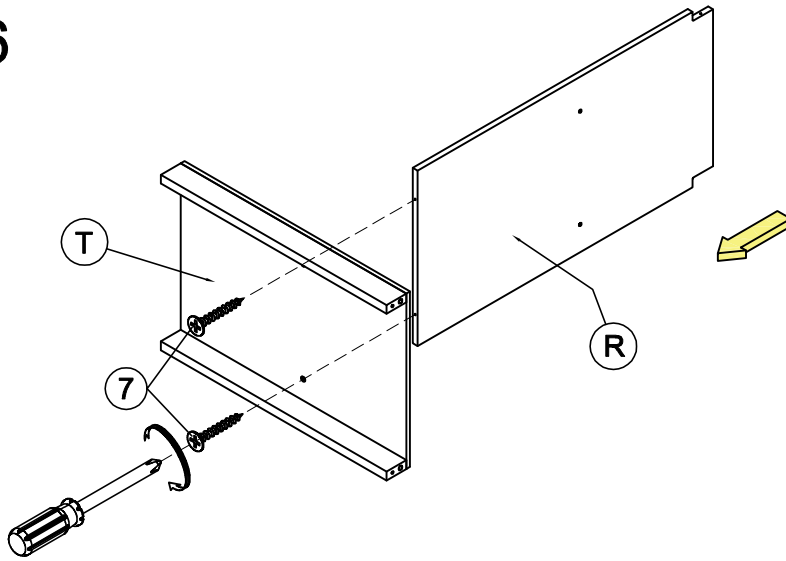
X2

# STEP 6

7



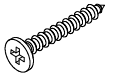
Wood crews  
M4 \* 25 - 4pcs



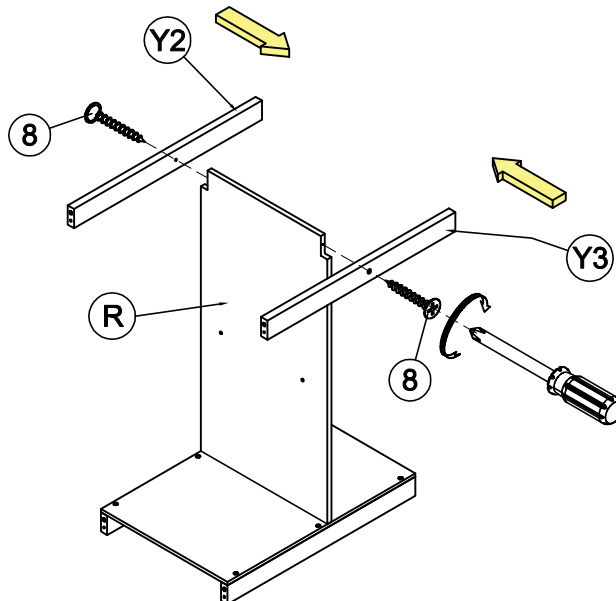
X2

# STEP 7

8

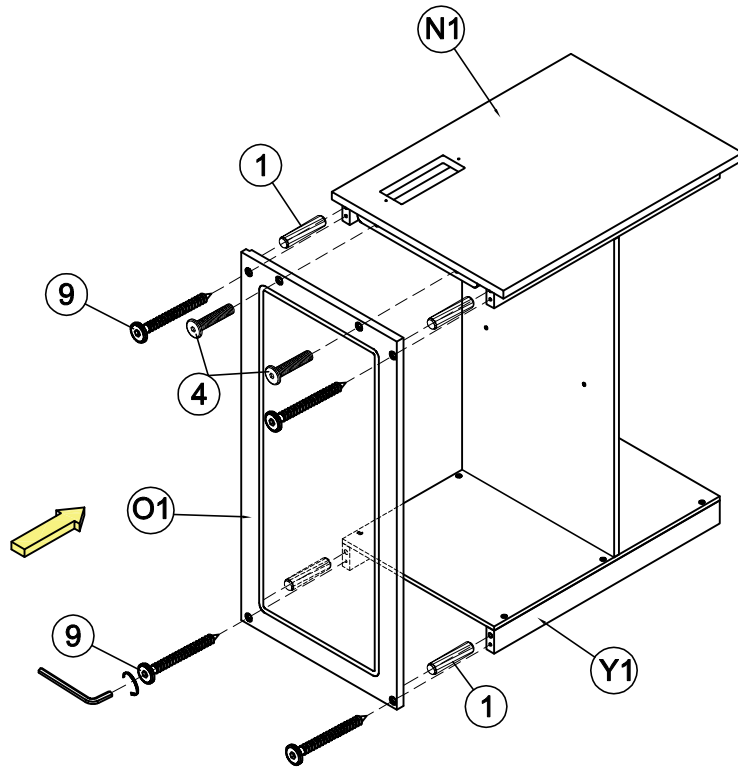


Wood crews  
M4 \* 35 - 4pcs



X2

# STEP 8



1



Wood dowel  
Ø8 \* 30 - 4pcs

4



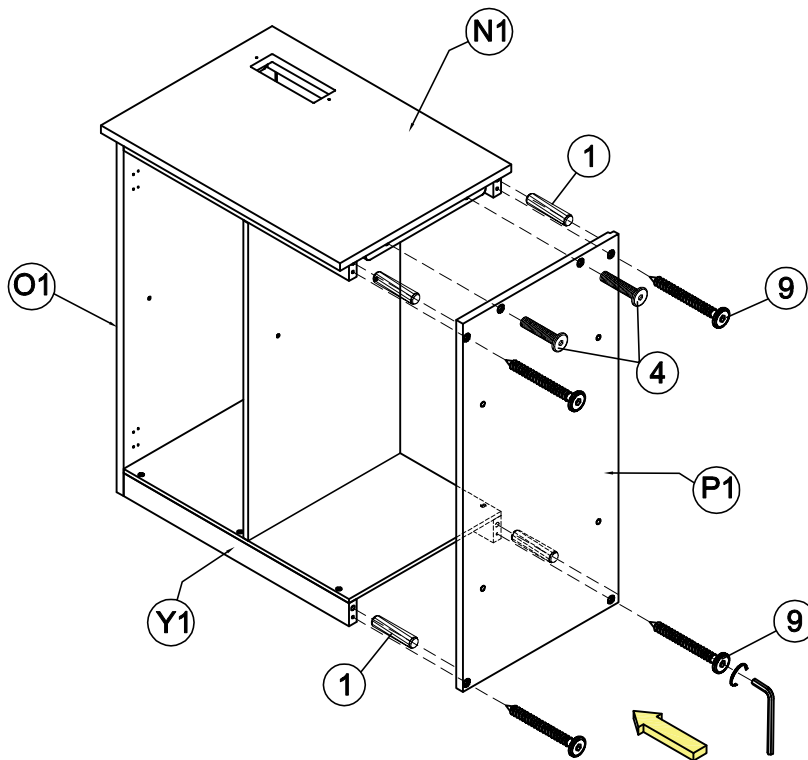
Hex - Head bolts  
Ø1/4" \* 30 - 2pcs

9



Hexagonal bolts catch wood  
Ø1/4" \* 50 - 4pcs

# STEP 9



1



Wood dowel  
Ø8 \* 30 - 4pcs

4



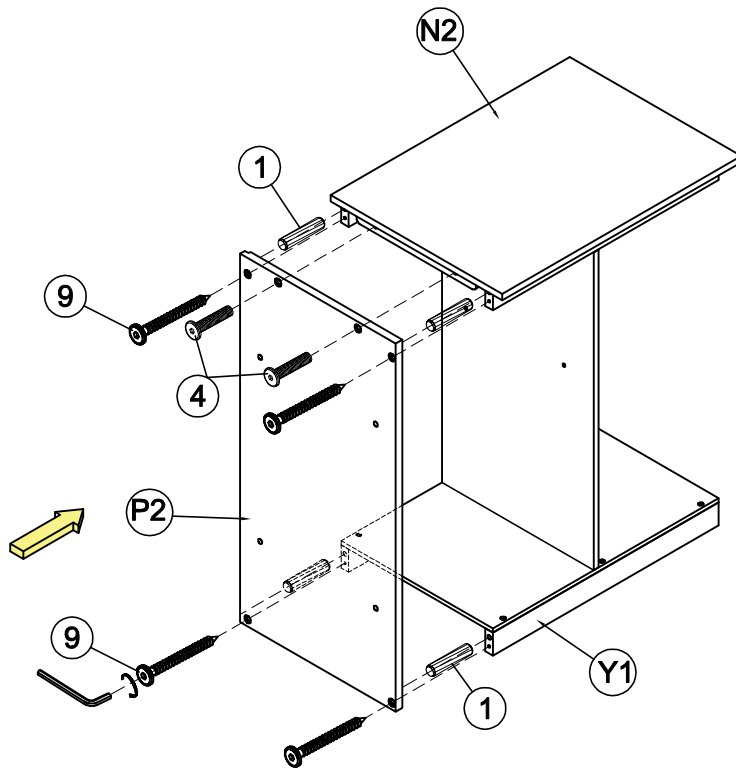
Hex - Head bolts  
Ø1/4" \* 30 - 2pcs

9



Hexagonal bolts catch wood  
Ø1/4" \* 50 - 4pcs

# STEP 10



1



Wood dowel  
Ø8 \* 30 - 4pcs

4



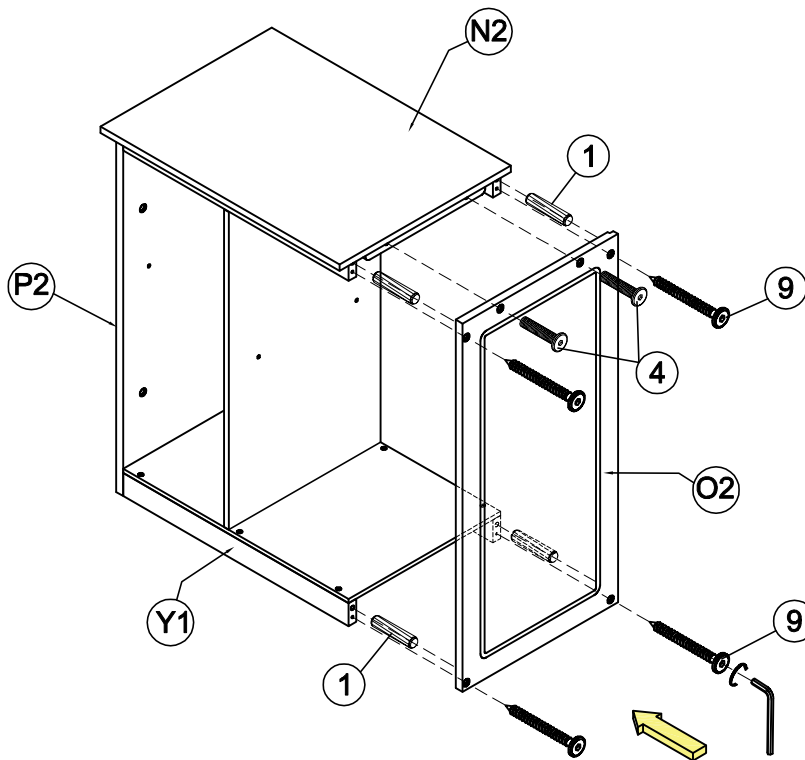
Hex - Head bolts  
Ø1/4" \* 30 - 2pcs

9



Hexagonal bolts catch wood  
Ø1/4" \* 50 - 4pcs

# STEP 11



1



Wood dowel  
Ø8 \* 30 - 4pcs

4



Hex - Head bolts  
Ø1/4" \* 30 - 2pcs

9



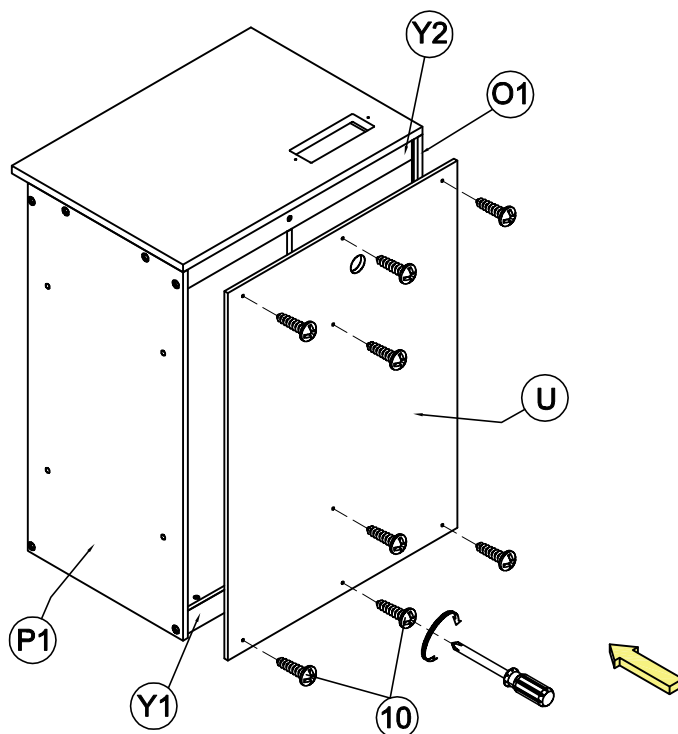
Hexagonal bolts catch wood  
Ø1/4" \* 50 - 4pcs

# STEP 12

10



Round wood crews  
M3.5 \* 20 - 8pcs

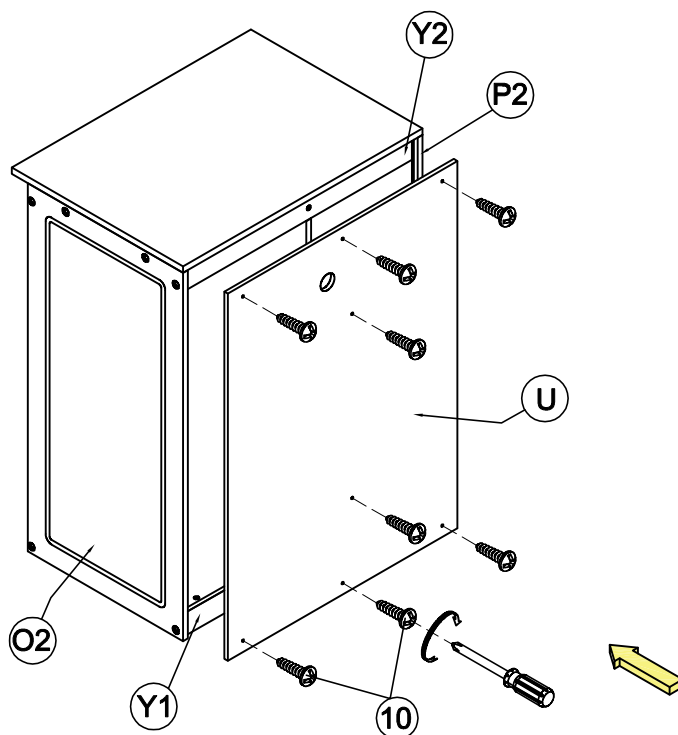


# STEP 13

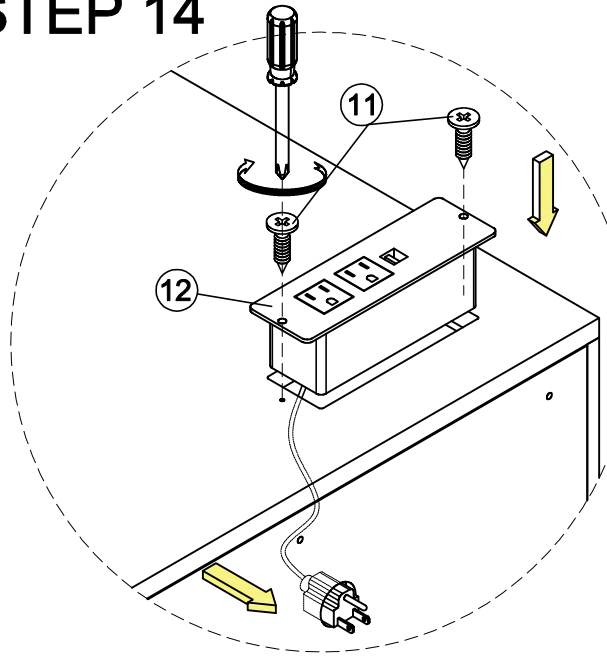
10



Round wood crews  
M3.5 \* 20 - 8pcs



# STEP 14

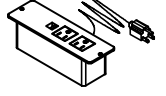


11

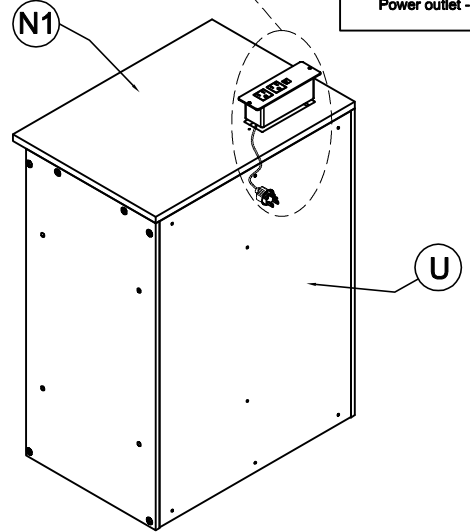


Wood crews  
M3.5 \* 15 - 2pcs

12



Power outlet - 1pc

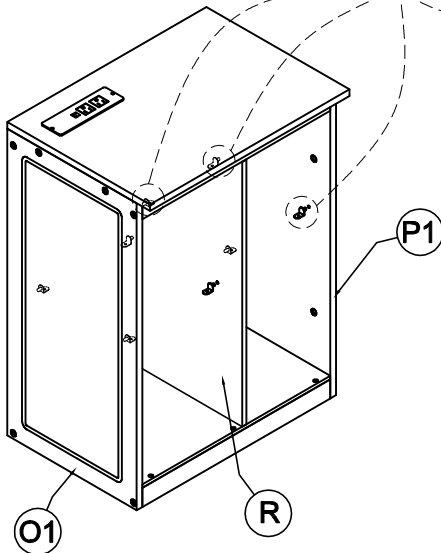
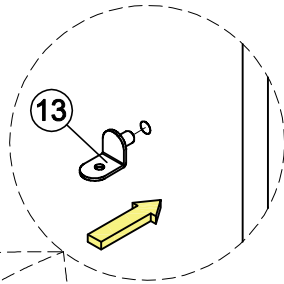


# STEP 15

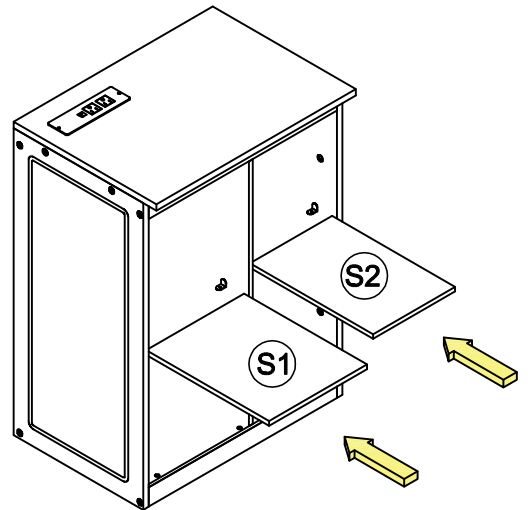
13



L-Shaped Supports - 8pcs



# STEP 16

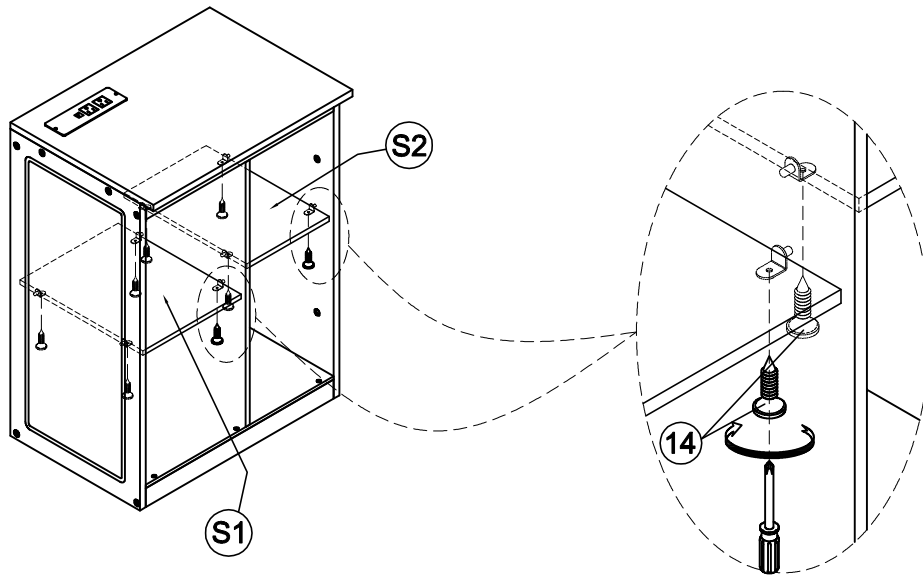


# STEP 17

14



Wood screws  
M3.5 \* 12 - 8pcs

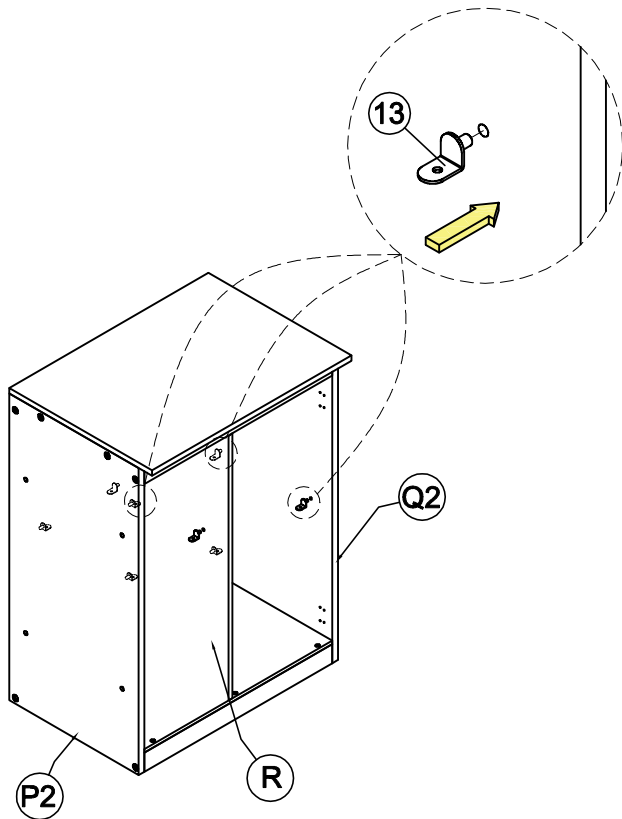


# STEP 18

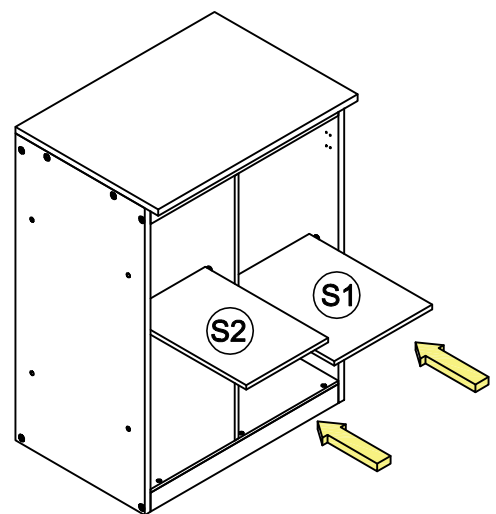
13



L-Shaped Supports - 8pcs



# STEP 19

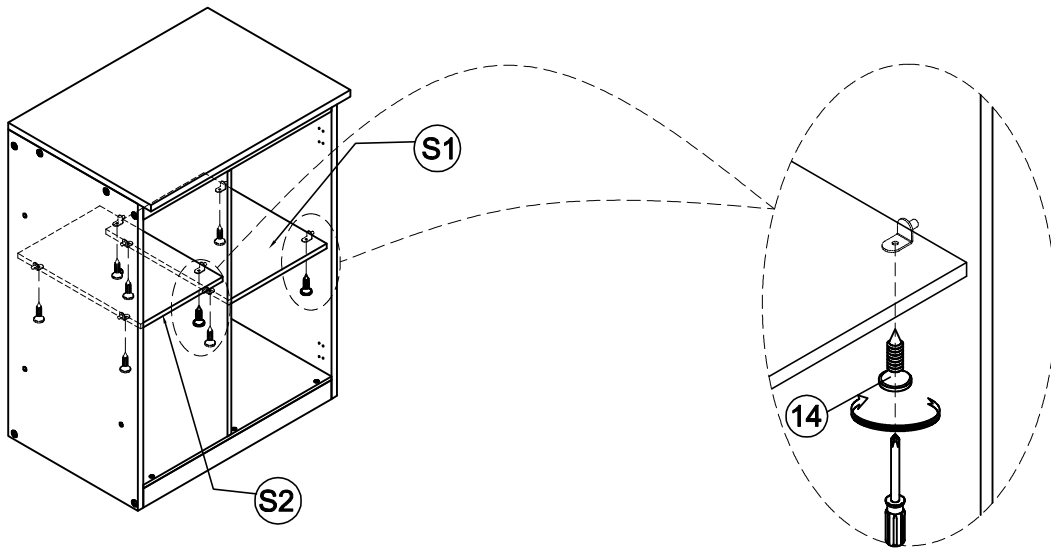


# STEP 20

14



Wood crews  
M3.5 \* 12 - 8pcs



# STEP 21

15

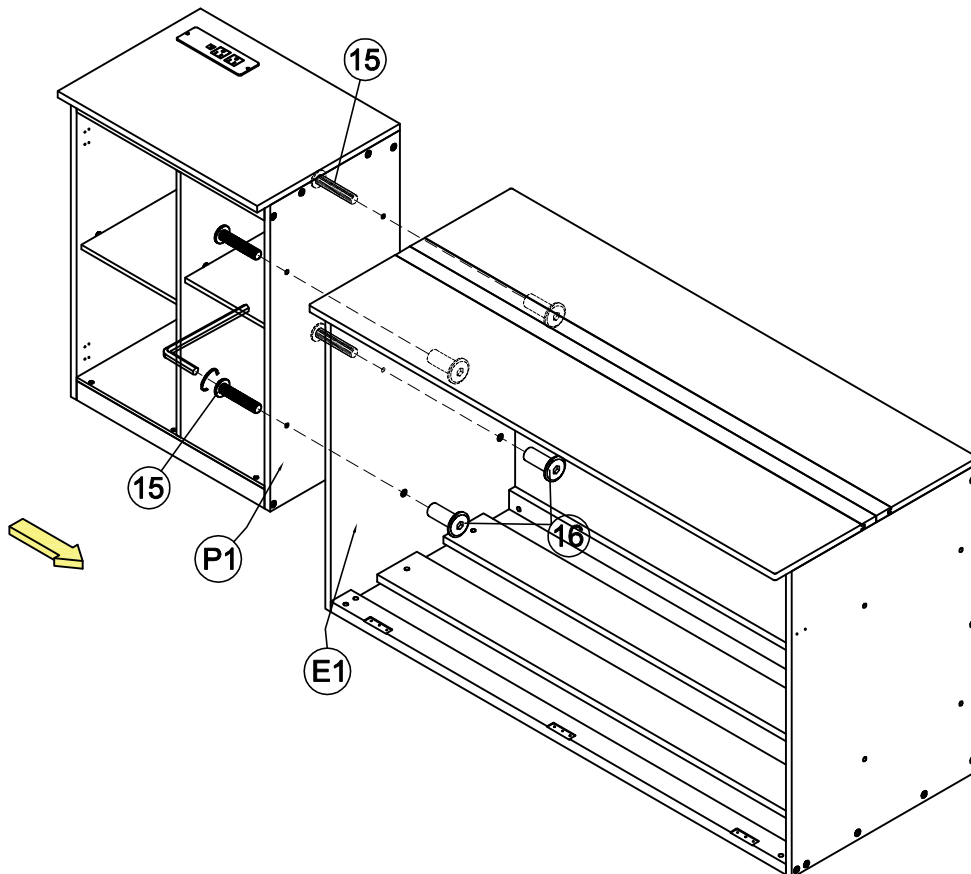


Hex - Head bolts  
Ø1/4" \* 25 - 4pcs

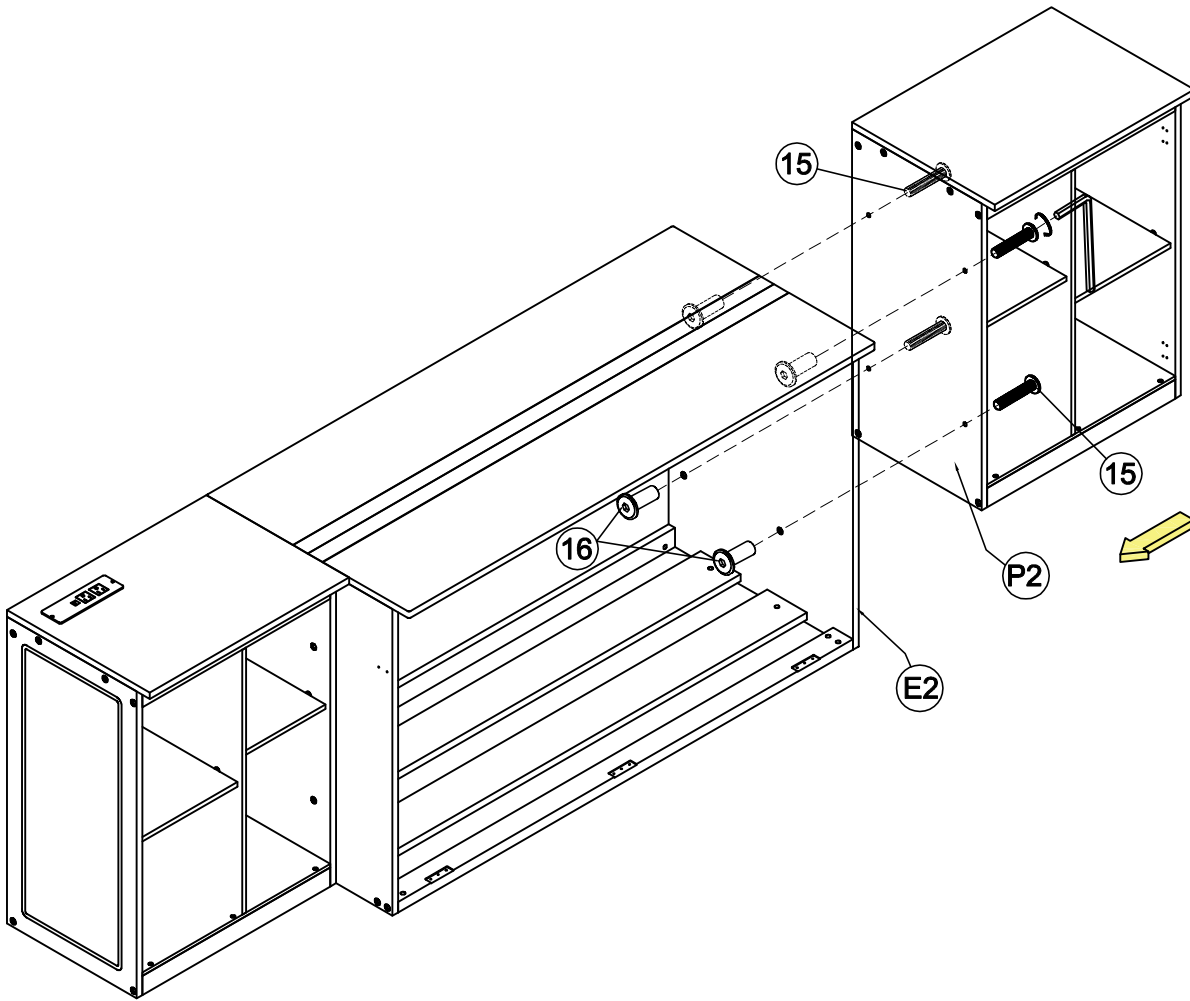
16



Canopy head though  
Ø1/4" - 4pcs



# STEP 22



15



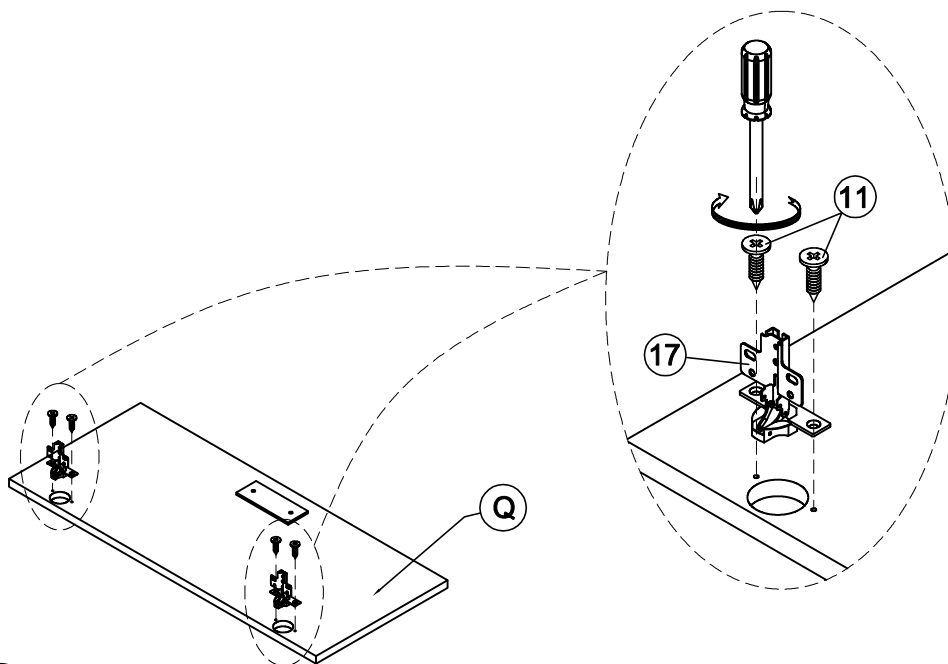
Hex - Head bolts  
Ø1/4" \* 25 - 4pcs

16



Canopy head though  
Ø1/4" - 4pcs

# STEP 23

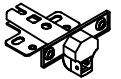


11



Wood crews  
M3.5 \* 15 - 8pcs

17



Full Overlay - 4pcs

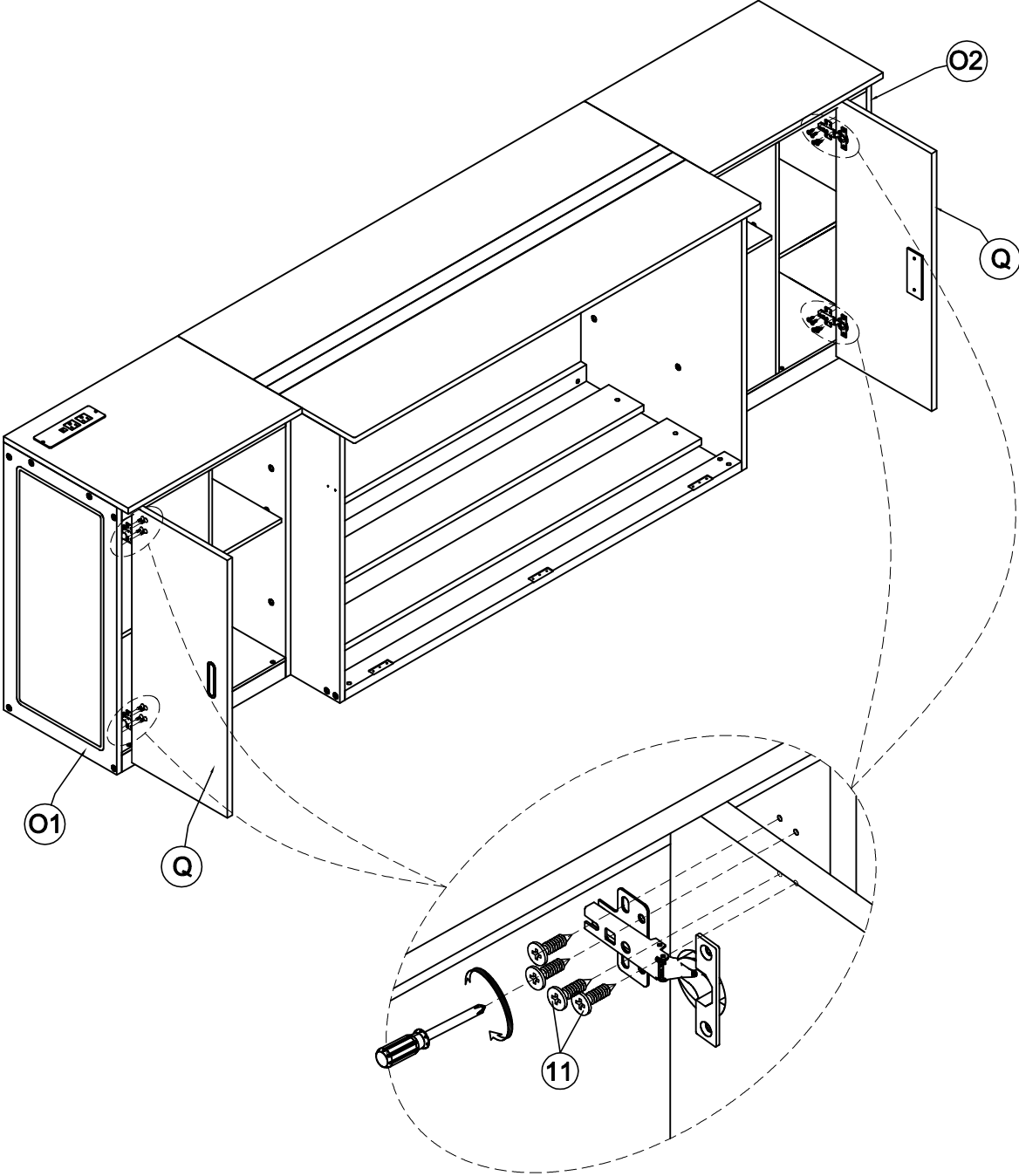
X2

# STEP 24

11

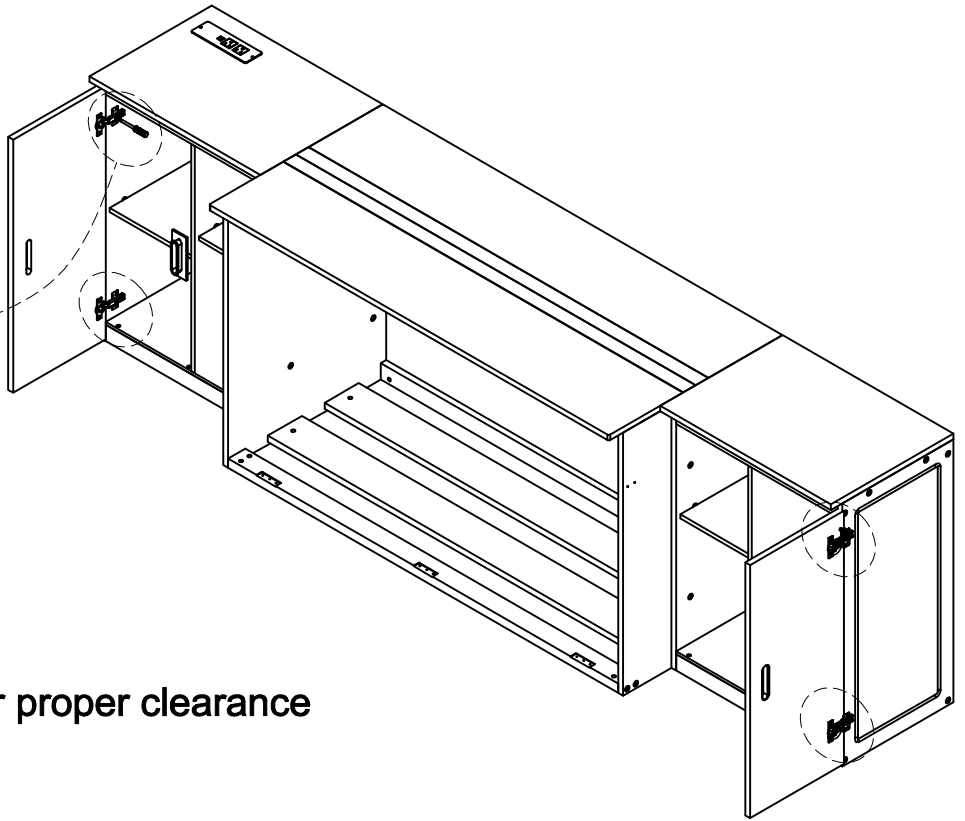
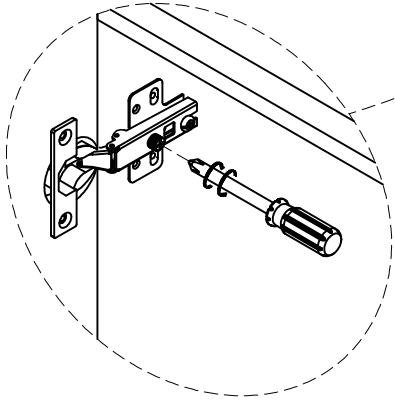


Wood crews  
M3.5 \* 15 - 16pcs



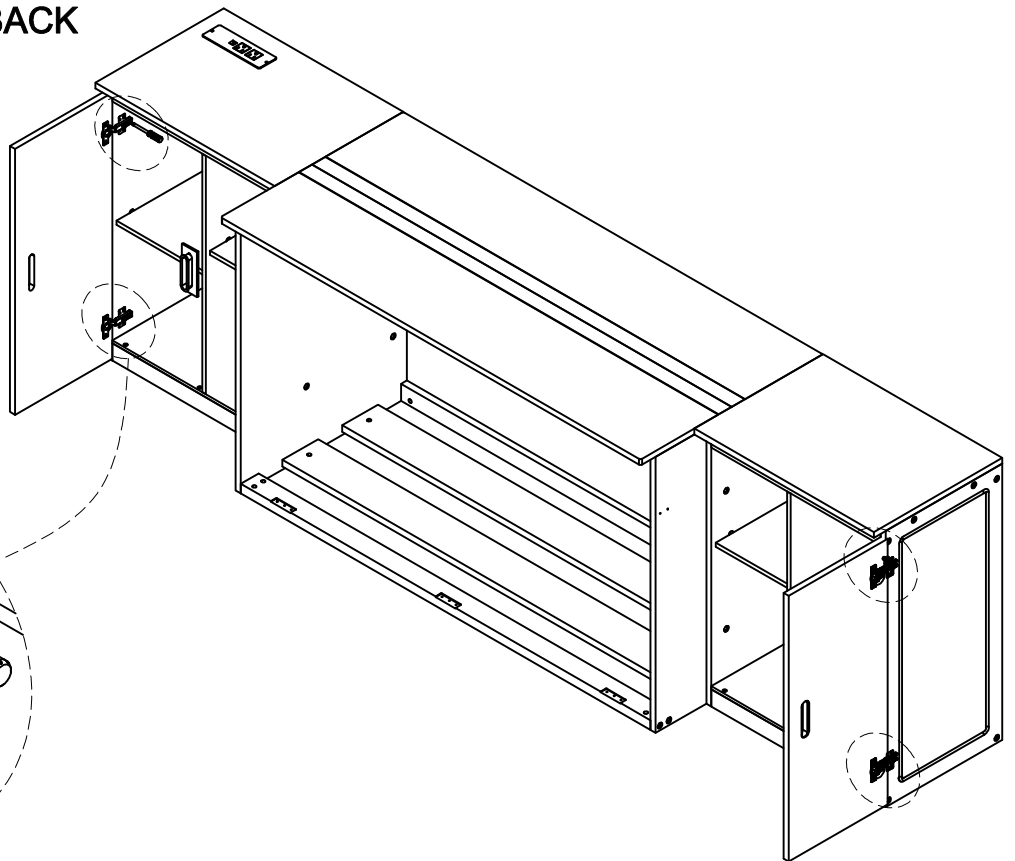
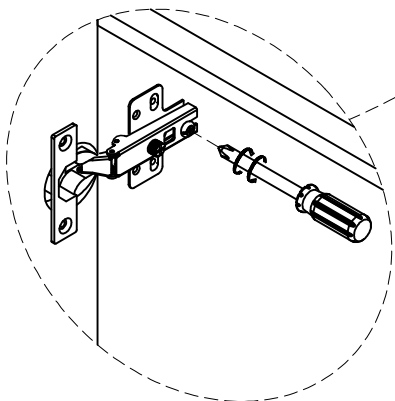
# STEP 25

LEFT ↔ RIGHT



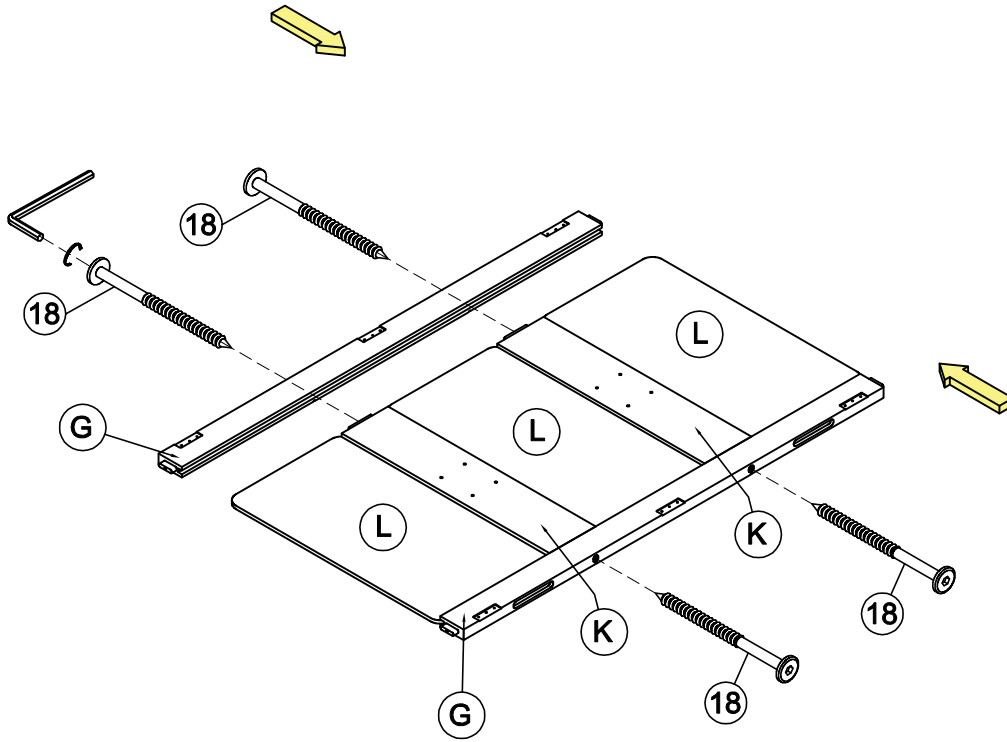
Adjust the hinges for proper clearance

FRONT ↔ BACK



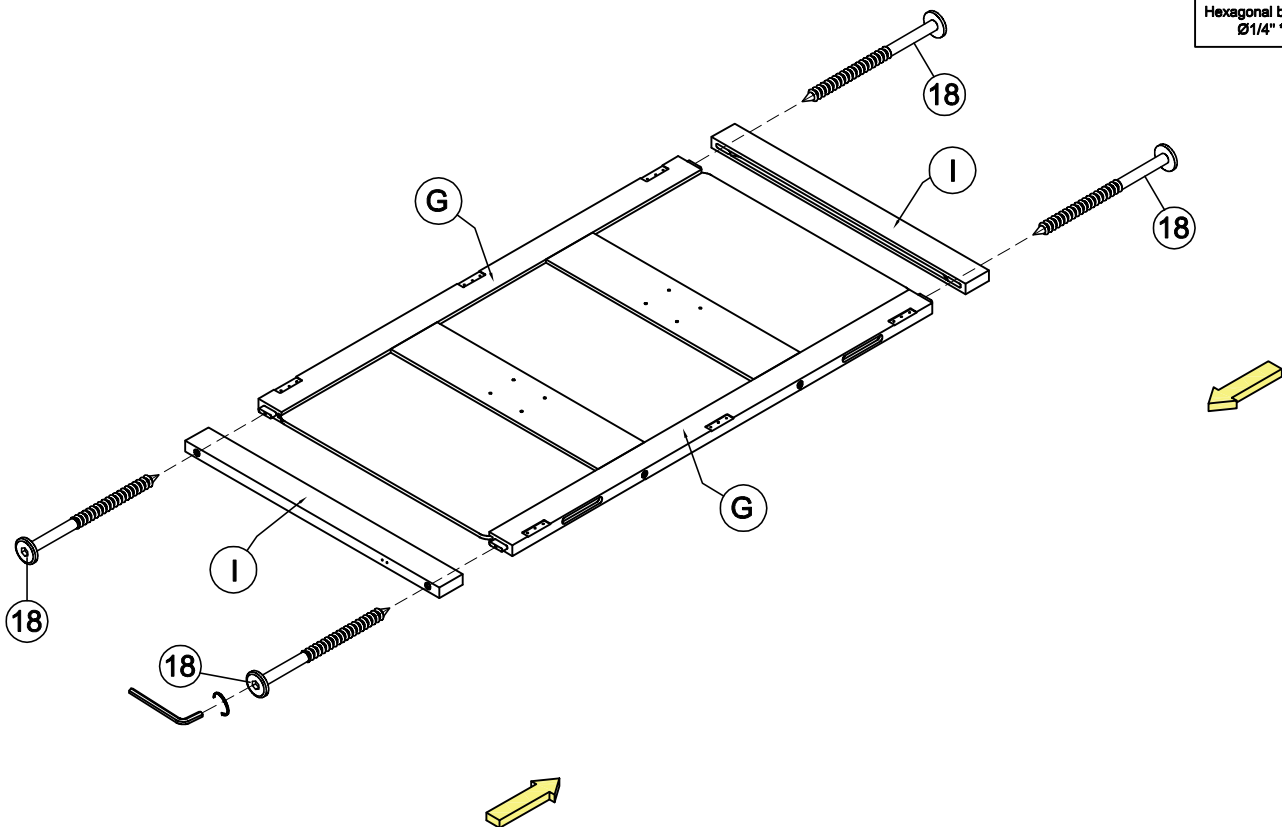
Adjust the hinges for proper clearance

# STEP 26



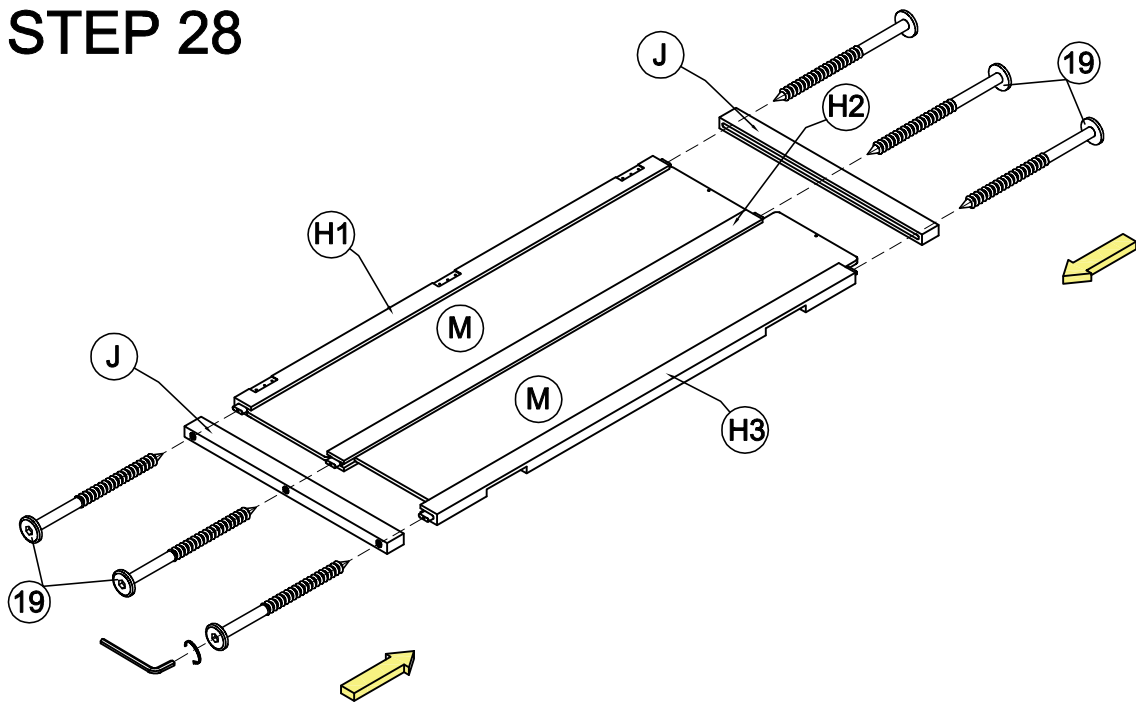
18  
Hexagonal bolts catch wood  
Ø1/4" \* 90 - 4pcs

# STEP 27



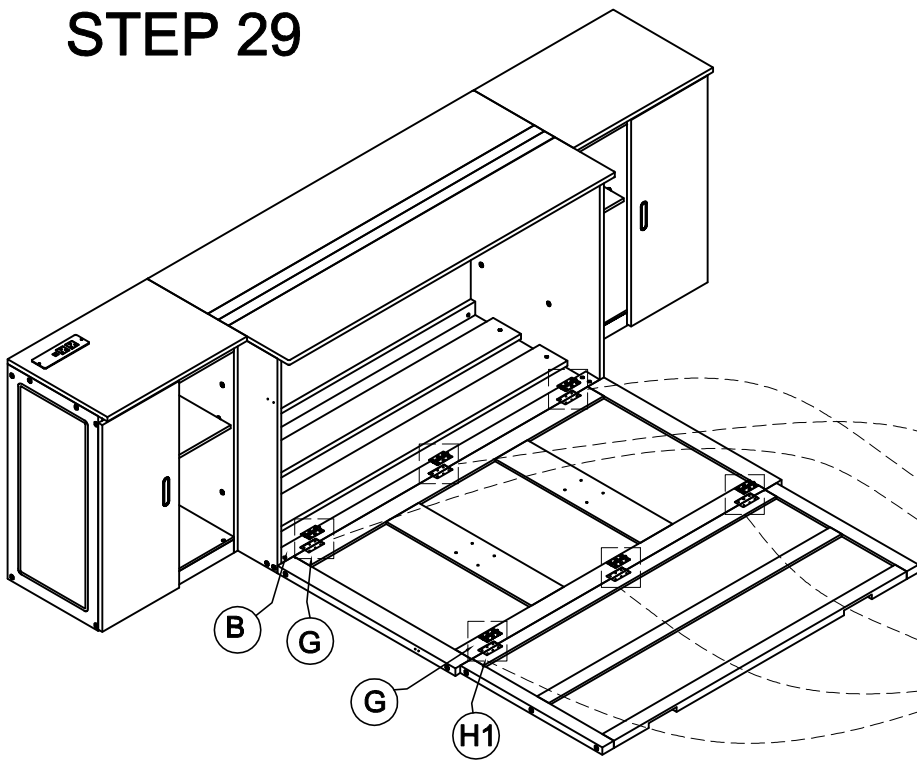
18  
Hexagonal bolts catch wood  
Ø1/4" \* 90 - 4pcs

# STEP 28



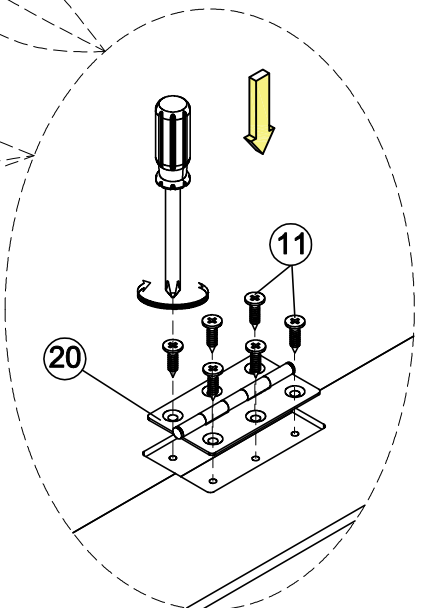
**19**  
Hexagonal bolts catch wood  
Ø1/4" \* 70 - 6pcs

# STEP 29



**20**  
Hinge - 6pcs

**11**  
Wood crews  
M3.5 \* 15 - 36pcs



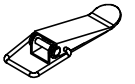
# STEP 30

11



Wood crews  
M3.5 \* 15 - 8pcs

21

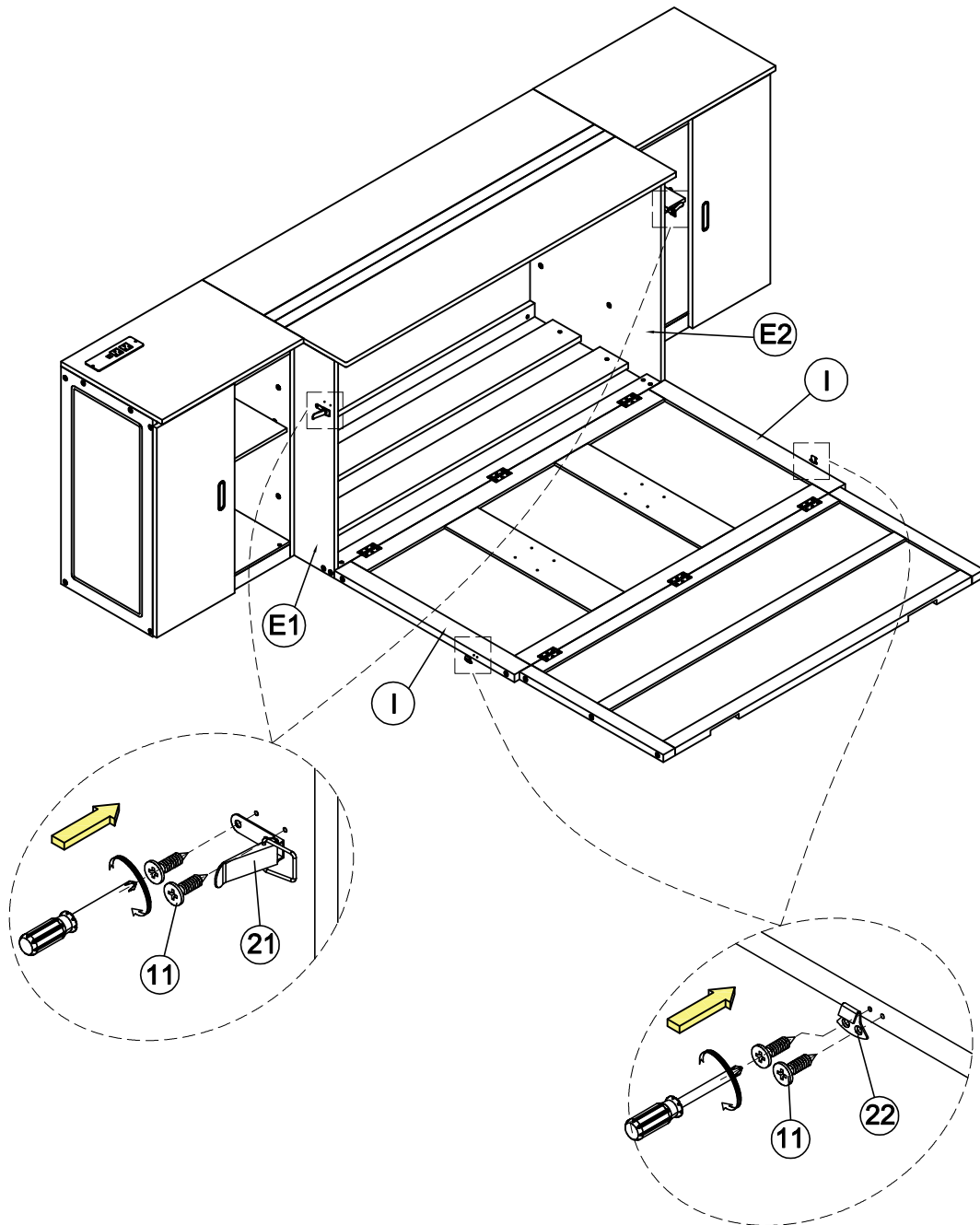


Duckbill lock A - 2pcs

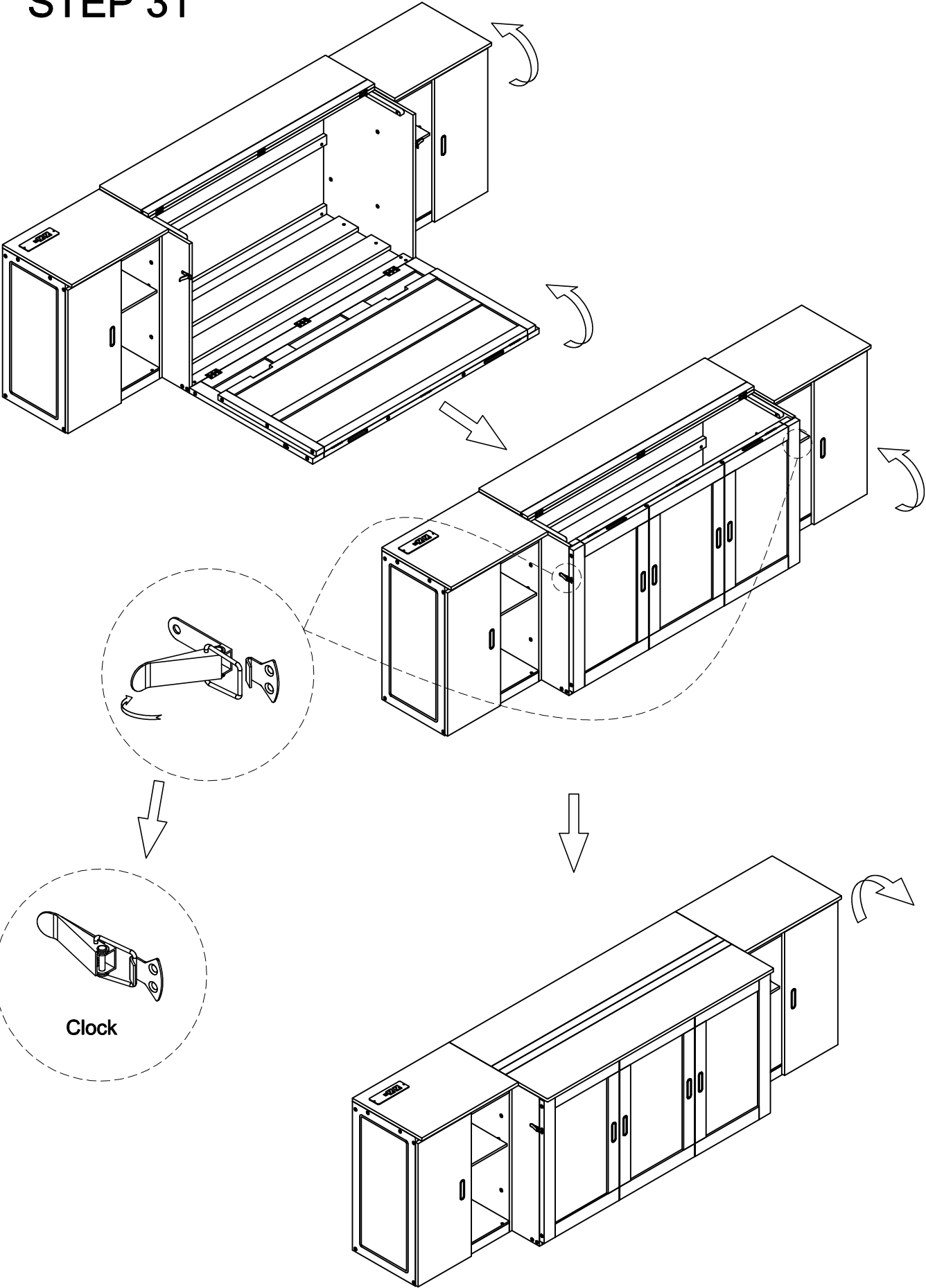
22



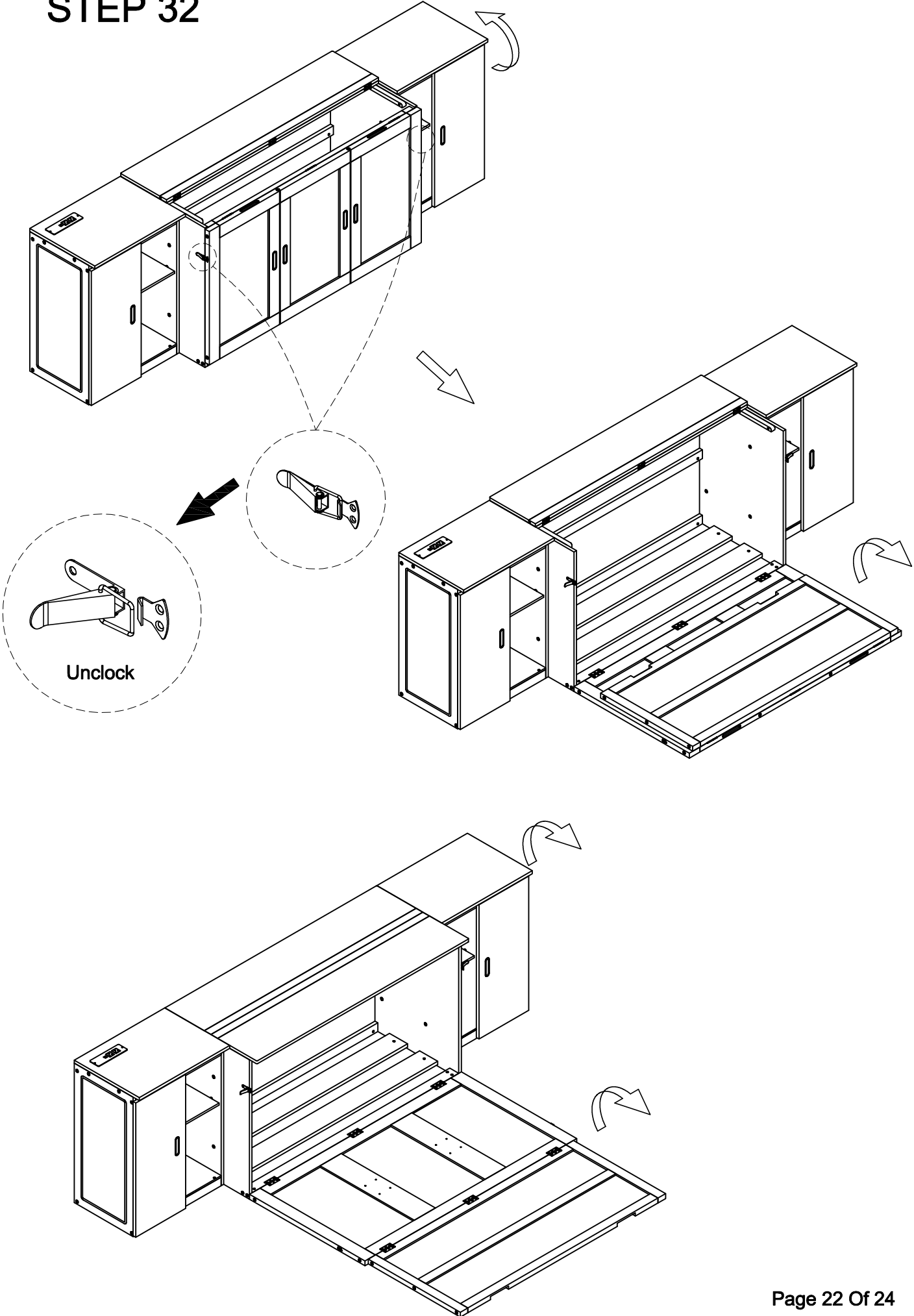
Duckbill lock B - 2pcs



# STEP 31

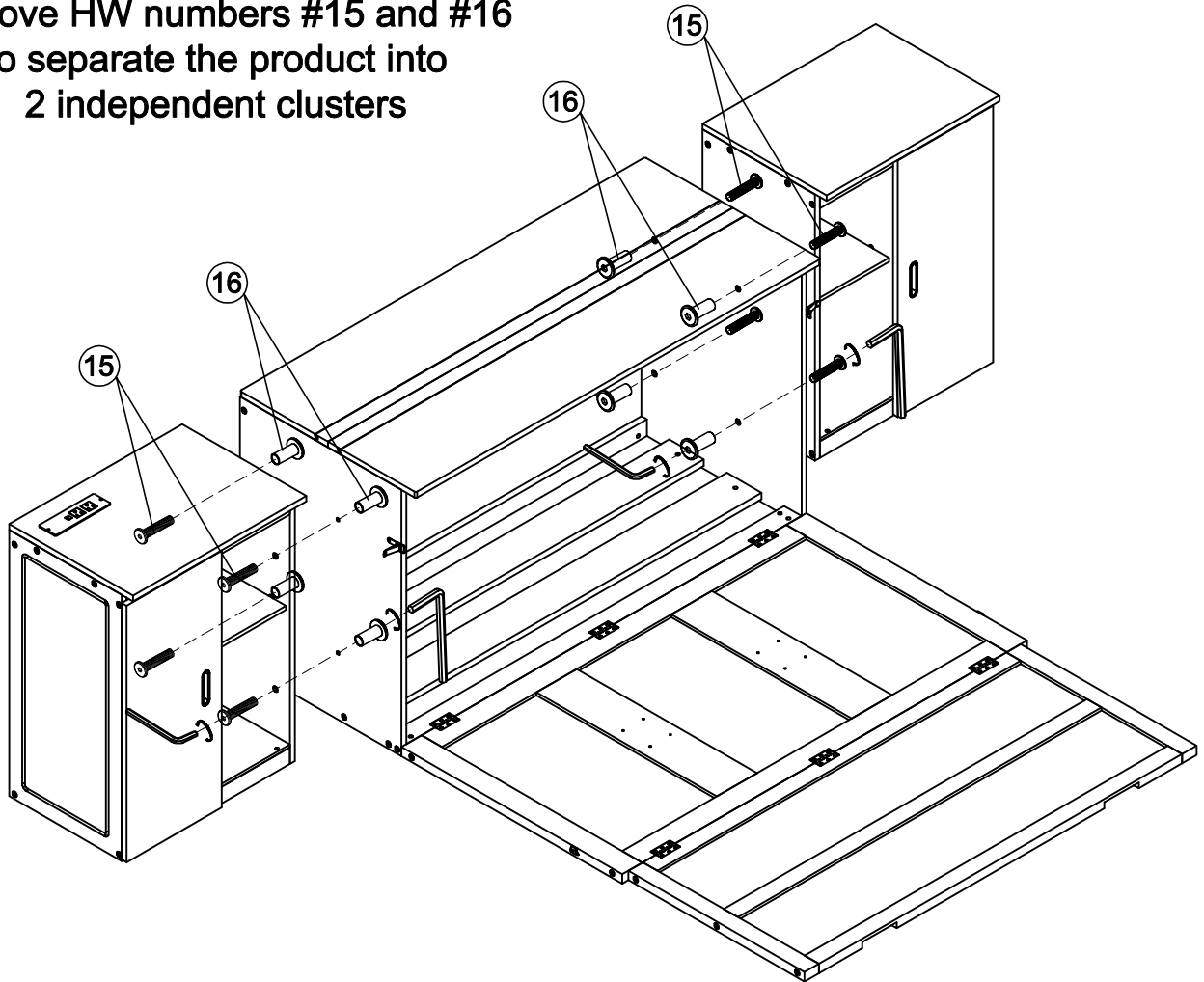


# STEP 32

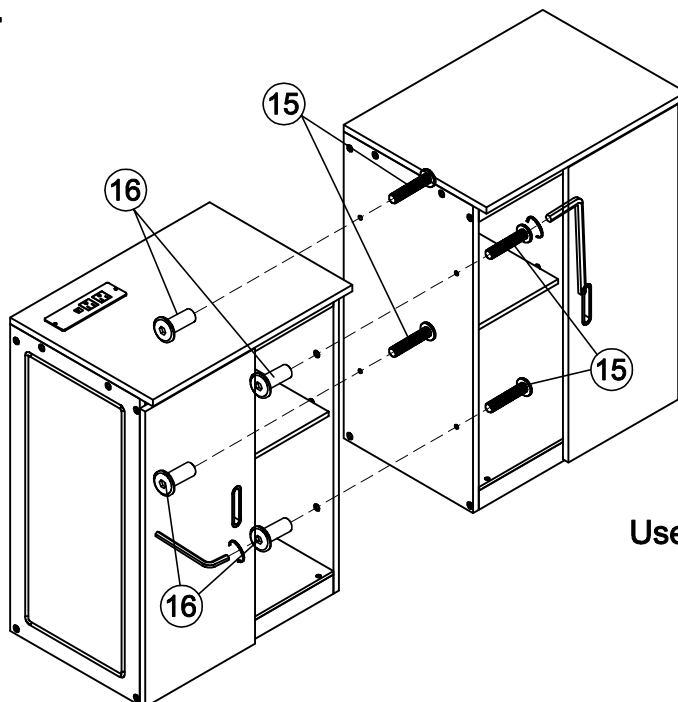


# STEP 33

Remove HW numbers #15 and #16 to separate the product into 2 independent clusters



# STEP 34



15



Hex - Head bolts  
Ø1/4" \* 25 - 4pcs

16

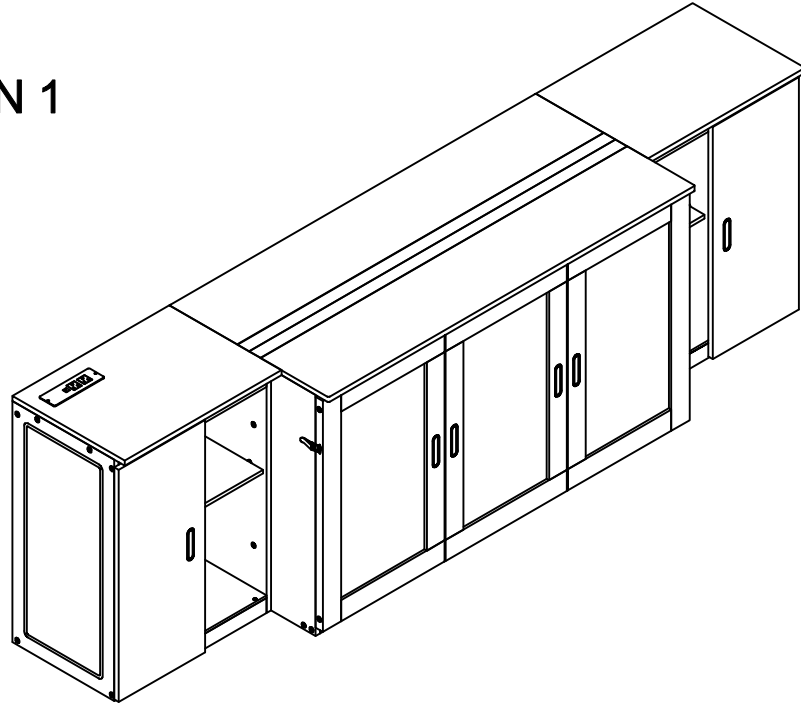


Canopy head through  
Ø1/4" - 4pcs

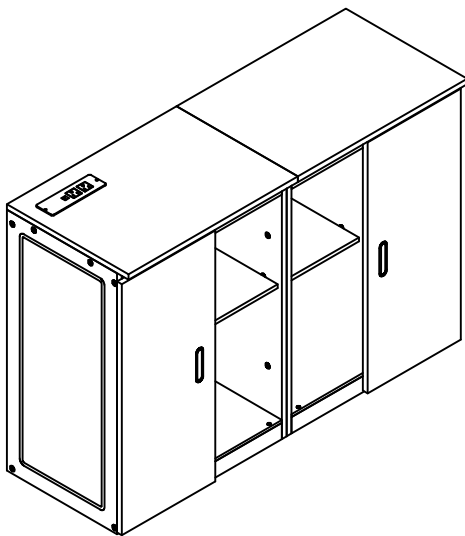
Use HW numbers #15 and #16  
of step 32

# COMPLETED

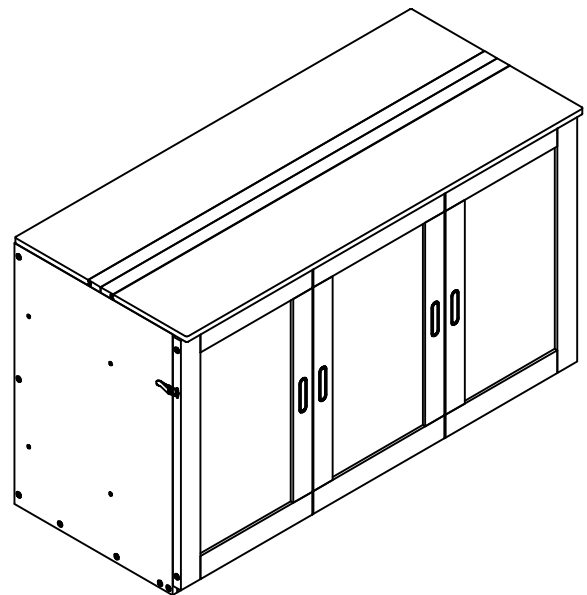
## OPTION 1



## OPTION 2



**CABINET**



**MURPHY BED**