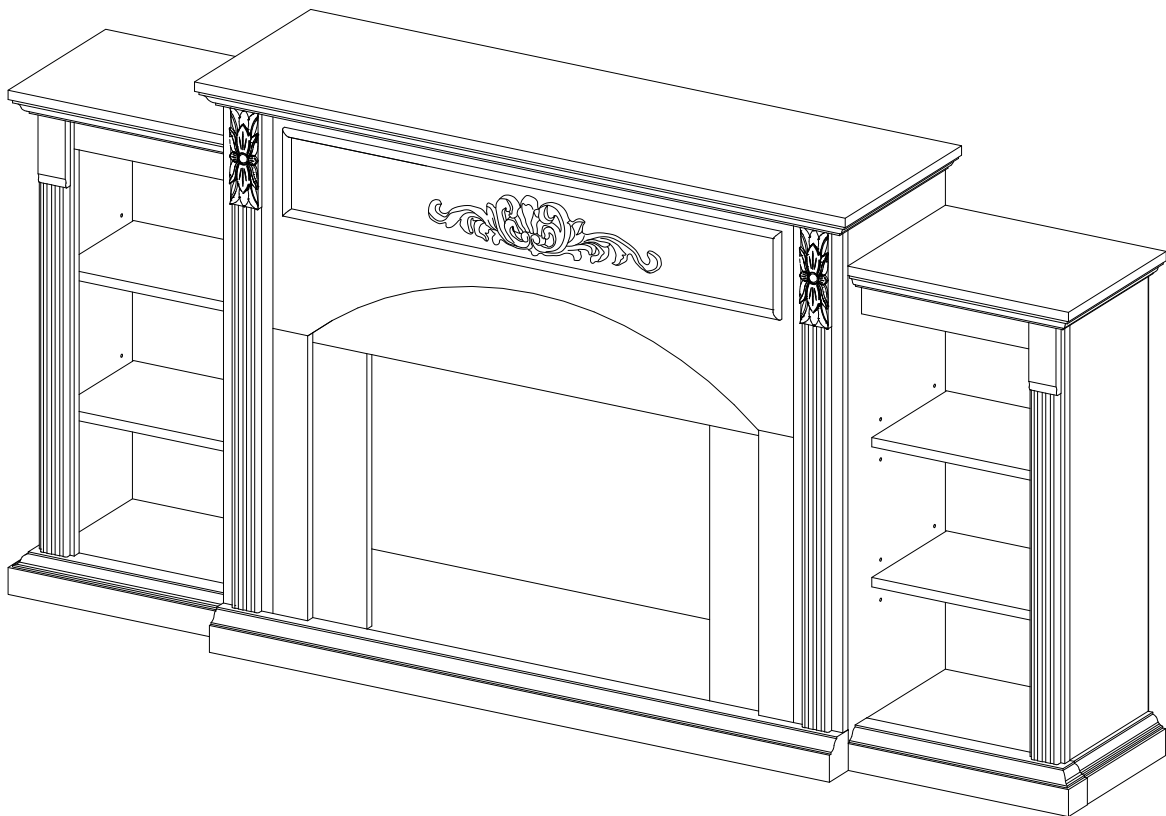
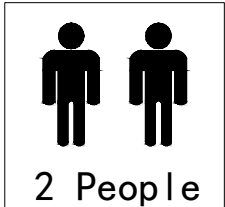


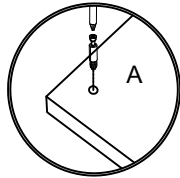
# ASSEMBLY INSTRUCTIONS

## ITEM:SKU220095

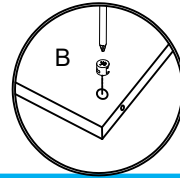


**Email:weipufurniture@gmail.com**

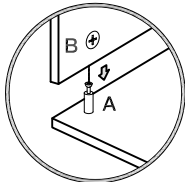
## How to use the cam lock system



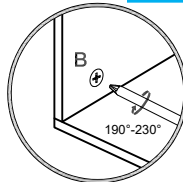
1. Screw cam bolt into panel



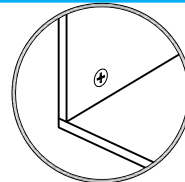
2. Push cam into panel - arrow feature on cam top points to panel edge



3. Align cam bolt(s) with cam(s) and insert all the way into cross-bored hole(s)

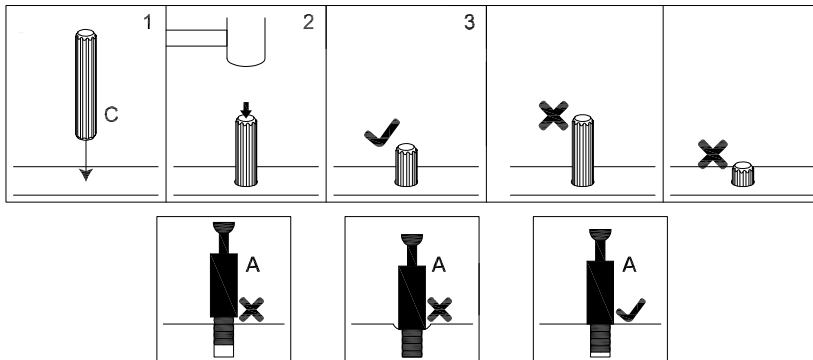


4. Rotate cam(s) clockwise 190°-230° to lock panels together



5. Panels should be tight against each other and connection should be rigid

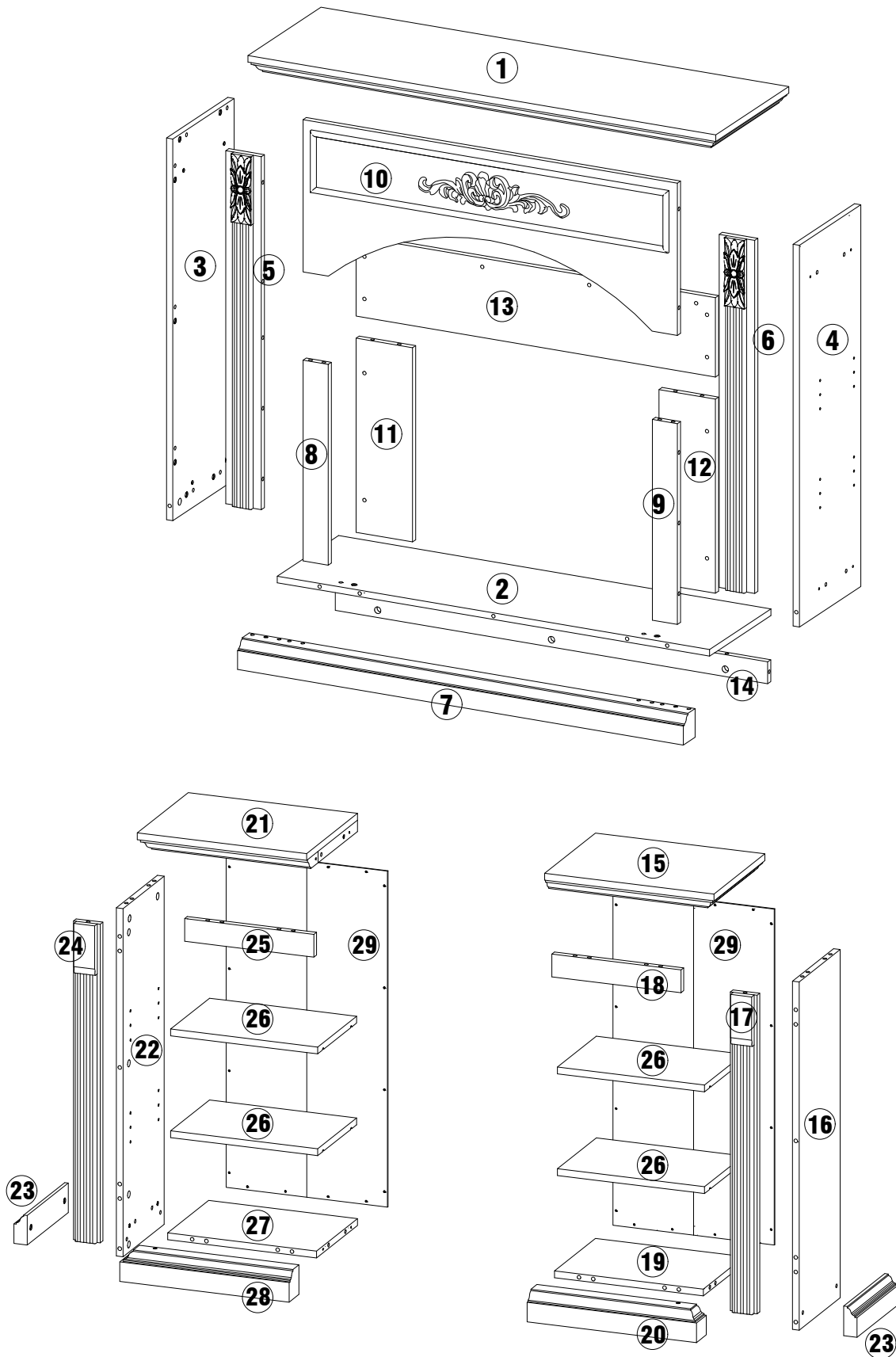
Insert the wood dowel [C] at least half way by tapping lightly with a rubber mallet, IF NECESSARY.



### **⚠ WARNING**

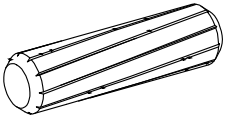
- Unit must be placed on a level surface or leveled with included hardware (when applicable).
- Do not sit or stand on or allow children to climb, sit or stand on the assembled product.
- For safety reasons, it is imperative that this unit be mounted to the wall.
- Do not use without installing the tip restraint.
- Unit can tip over causing severe injury or death.
- Do not exceed the recommended weight limits.
- Evenly distribute the weight on each level and always keep the heavier loads on the bottom.
- Before cutting, drilling or hammering into any wall or floor surface, verify the location of electrical, plumbing and gas lines. Cutting may cause serious injury.

# PACKAGE INCLUDE



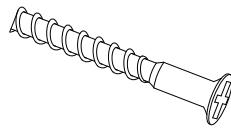
# PACKAGE CONTENT

**Ø8X30MM**



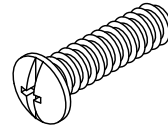
**A**

**64X+2**



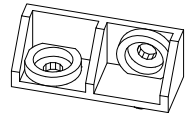
**B**

**8X**



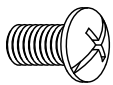
**C**

**16X+1**



**D**

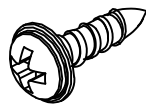
**19X+1**



**E**

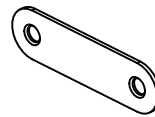
**38X+1**

**Ø3.5X12MM**



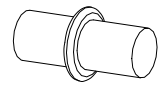
**F**

**58X+2**



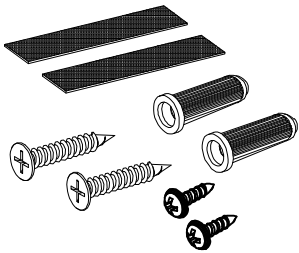
**G**

**12X**



**H**

**16X+1**



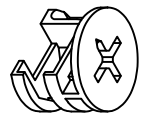
**J**

**1X**



**L**




**34X+2**

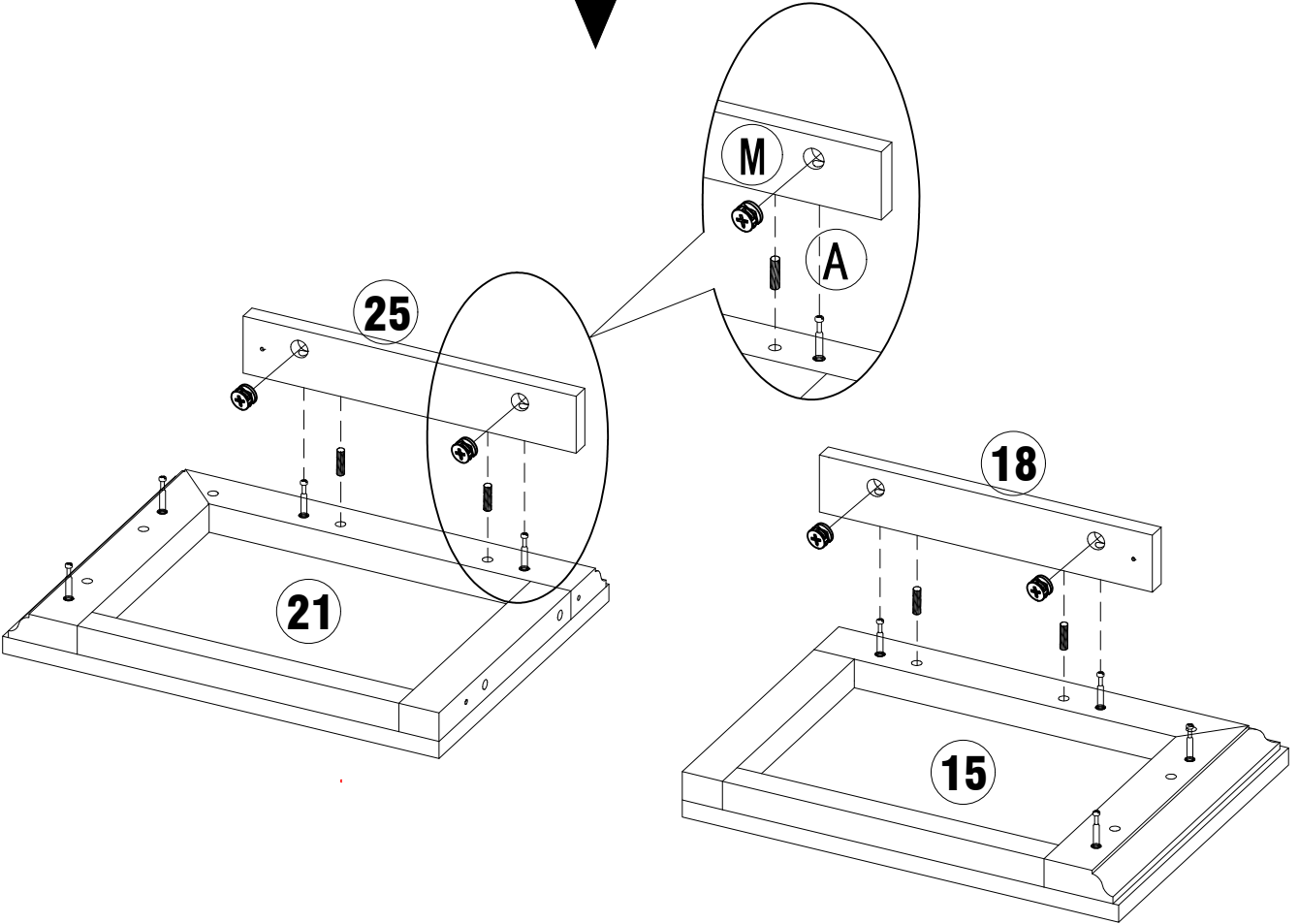
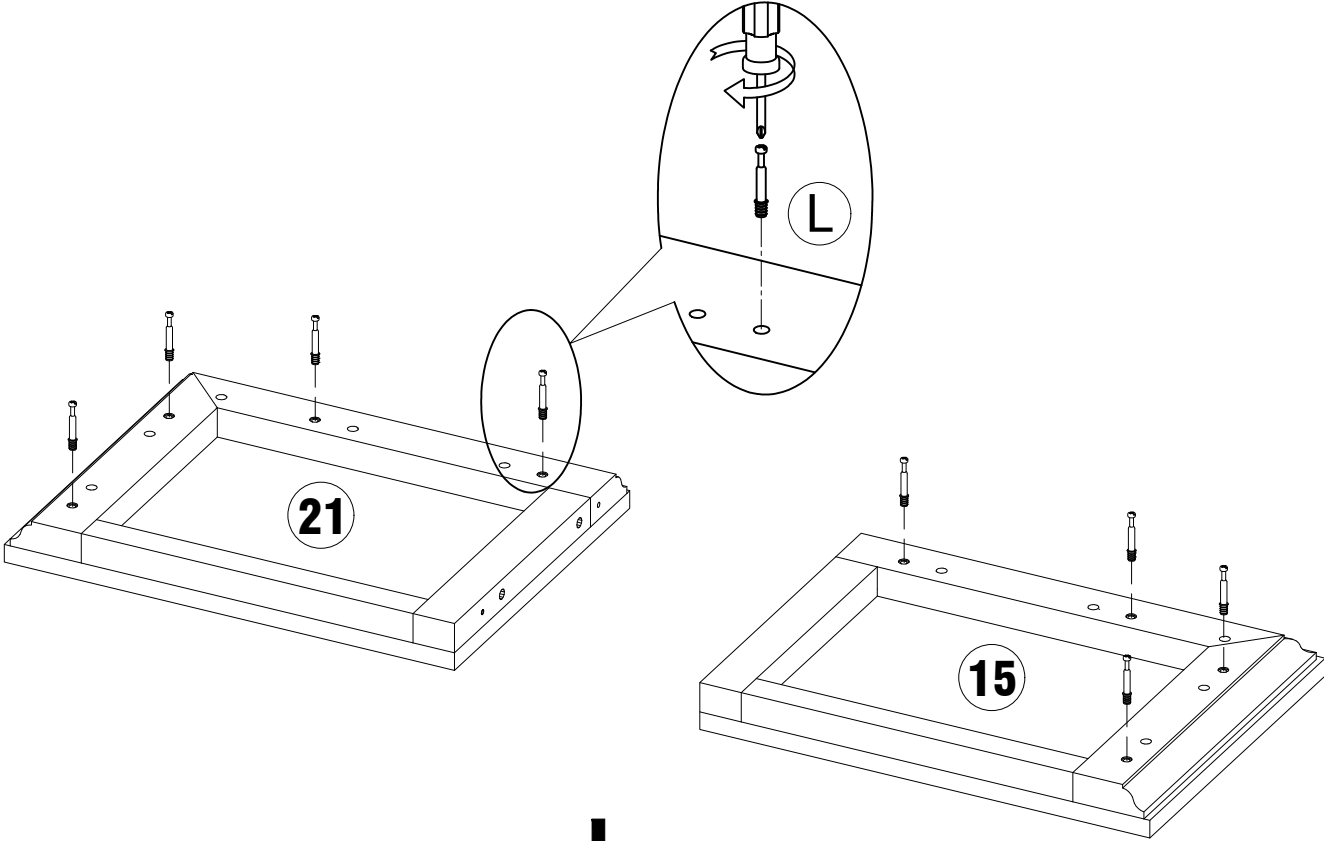


**M**

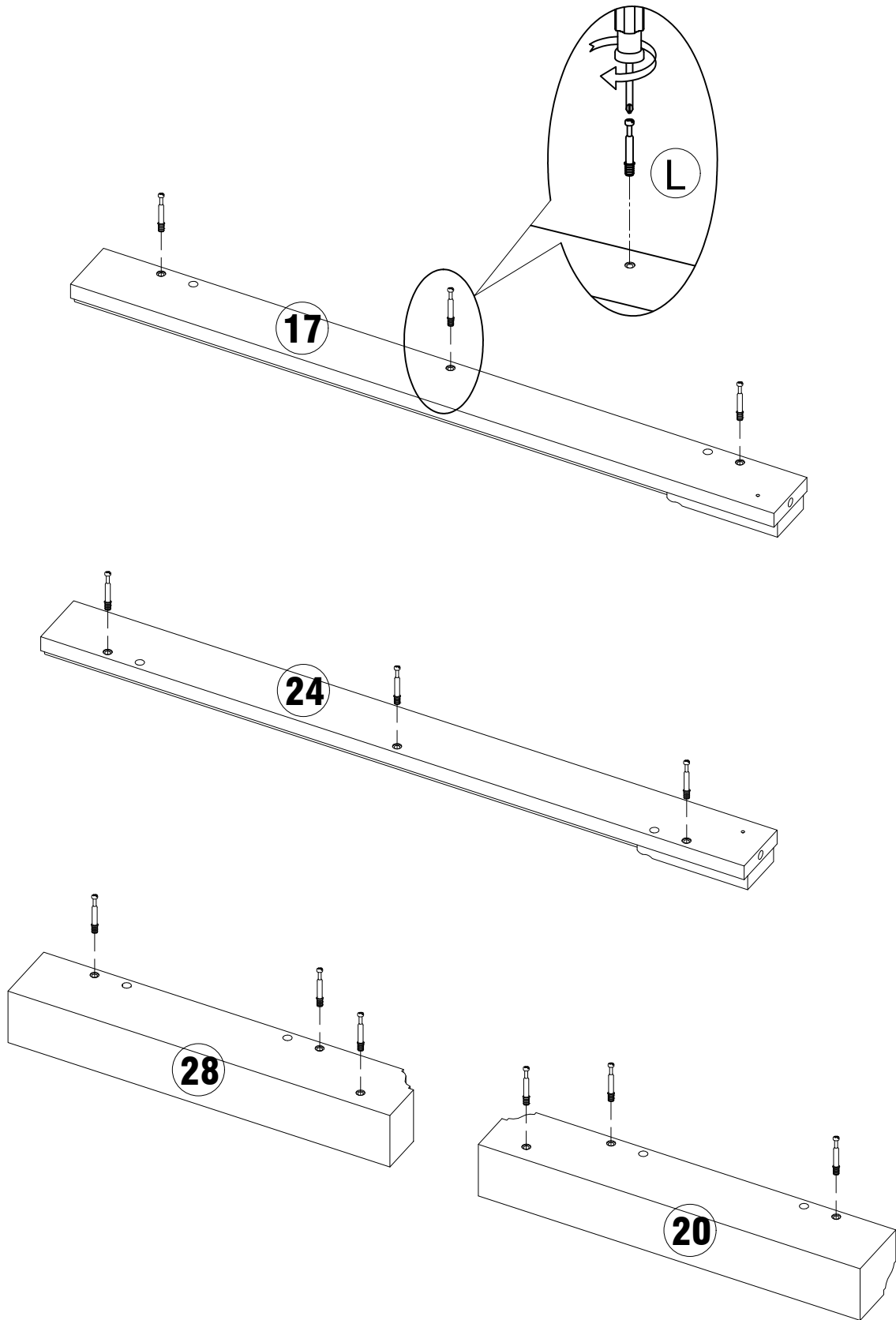
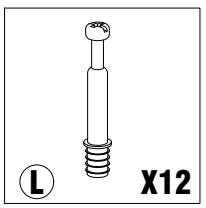
**34X+2**

# STEP 1

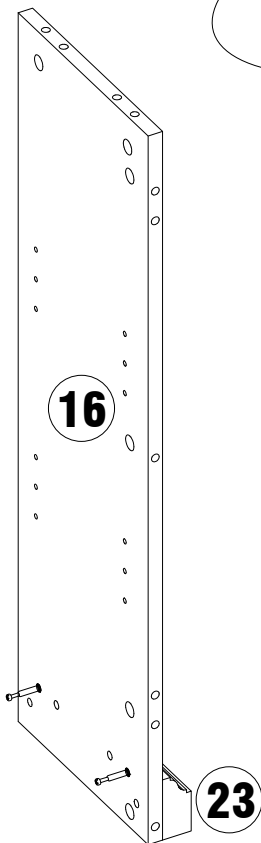
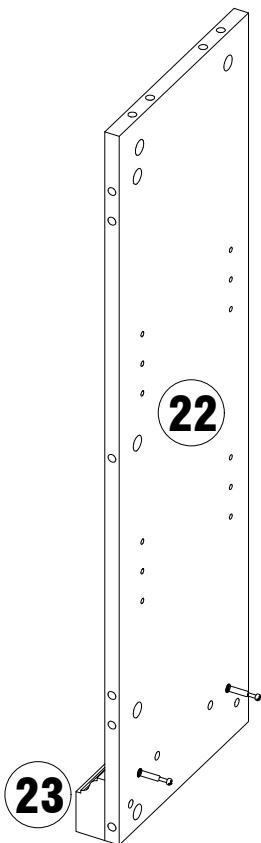
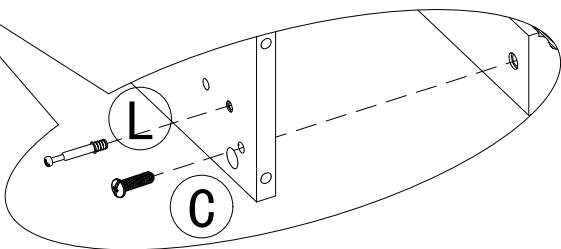
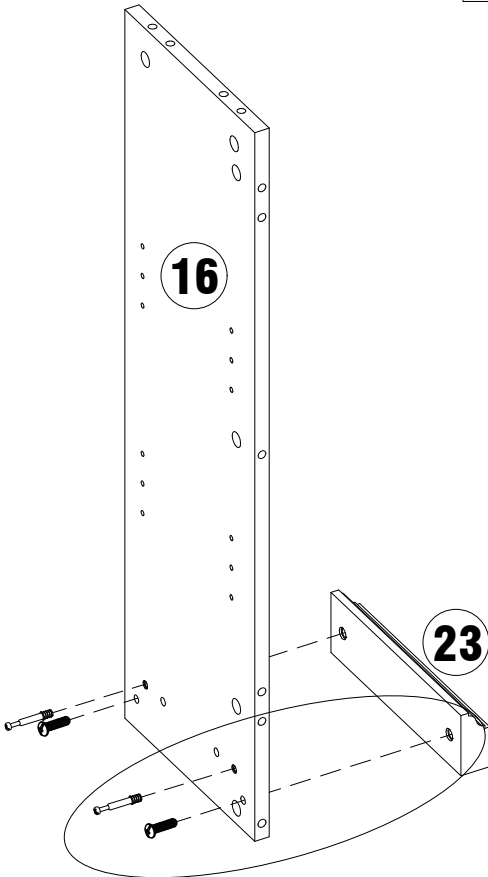
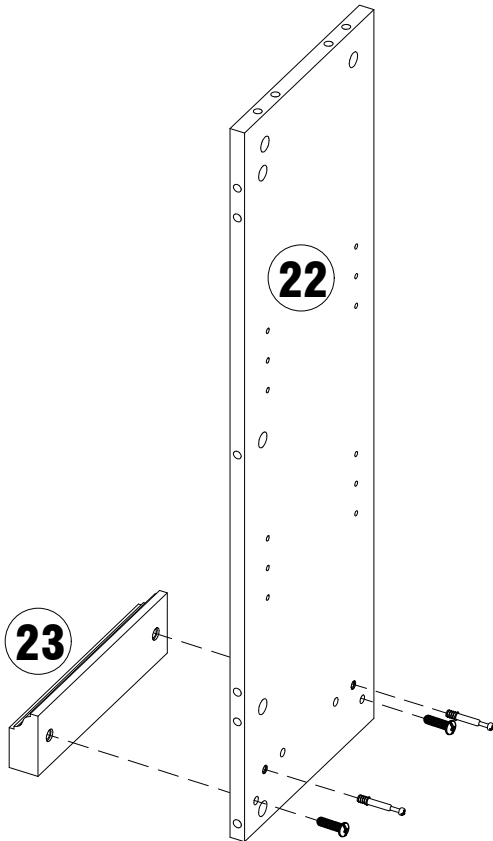
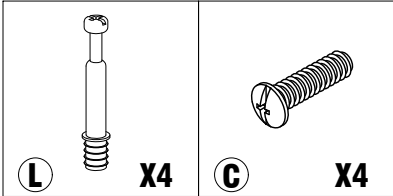
		
<b>A</b>	<b>L</b>	<b>M</b>
<b>X4</b>	<b>X8</b>	<b>X4</b>





# STEP 2

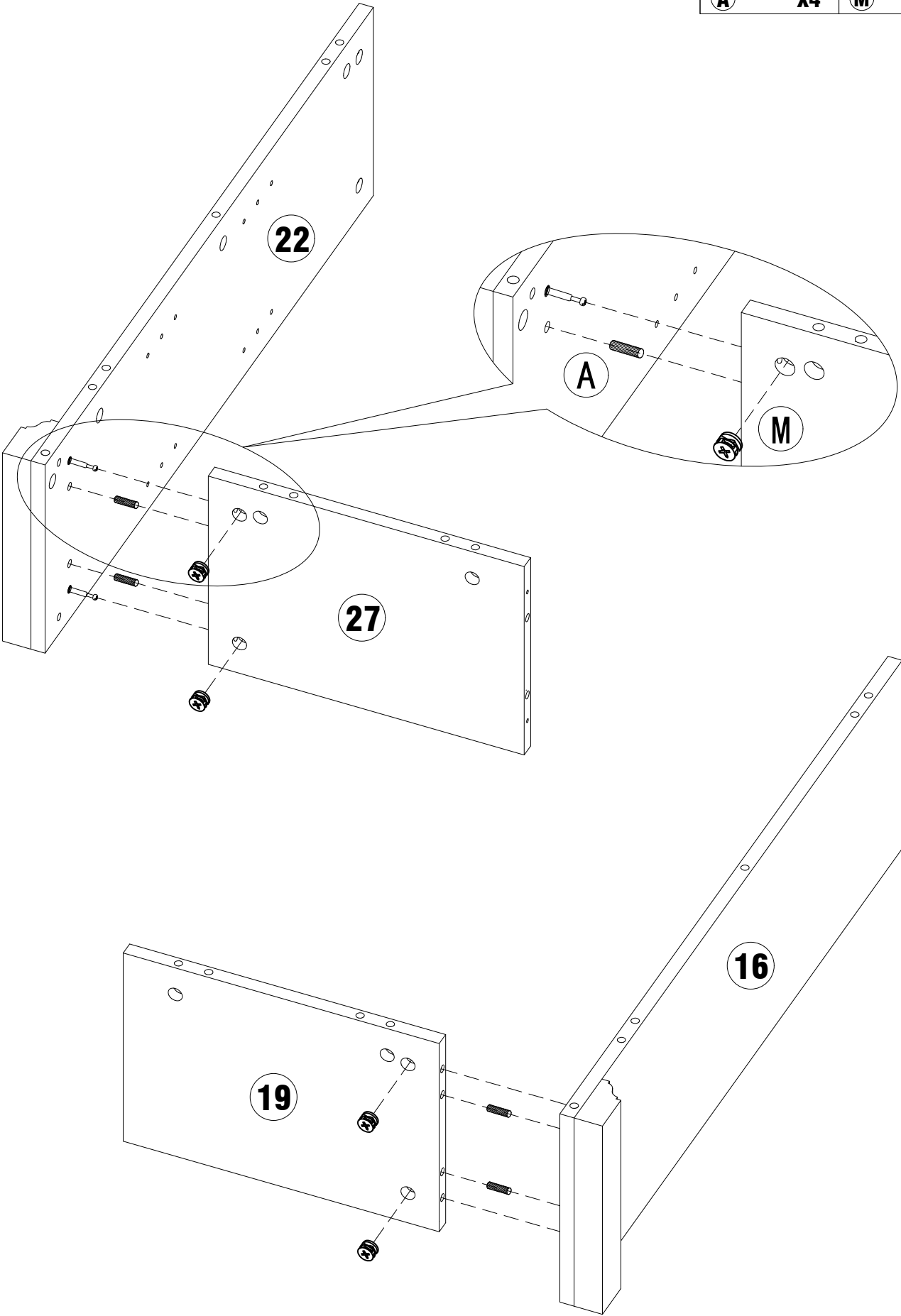


# STEP 3





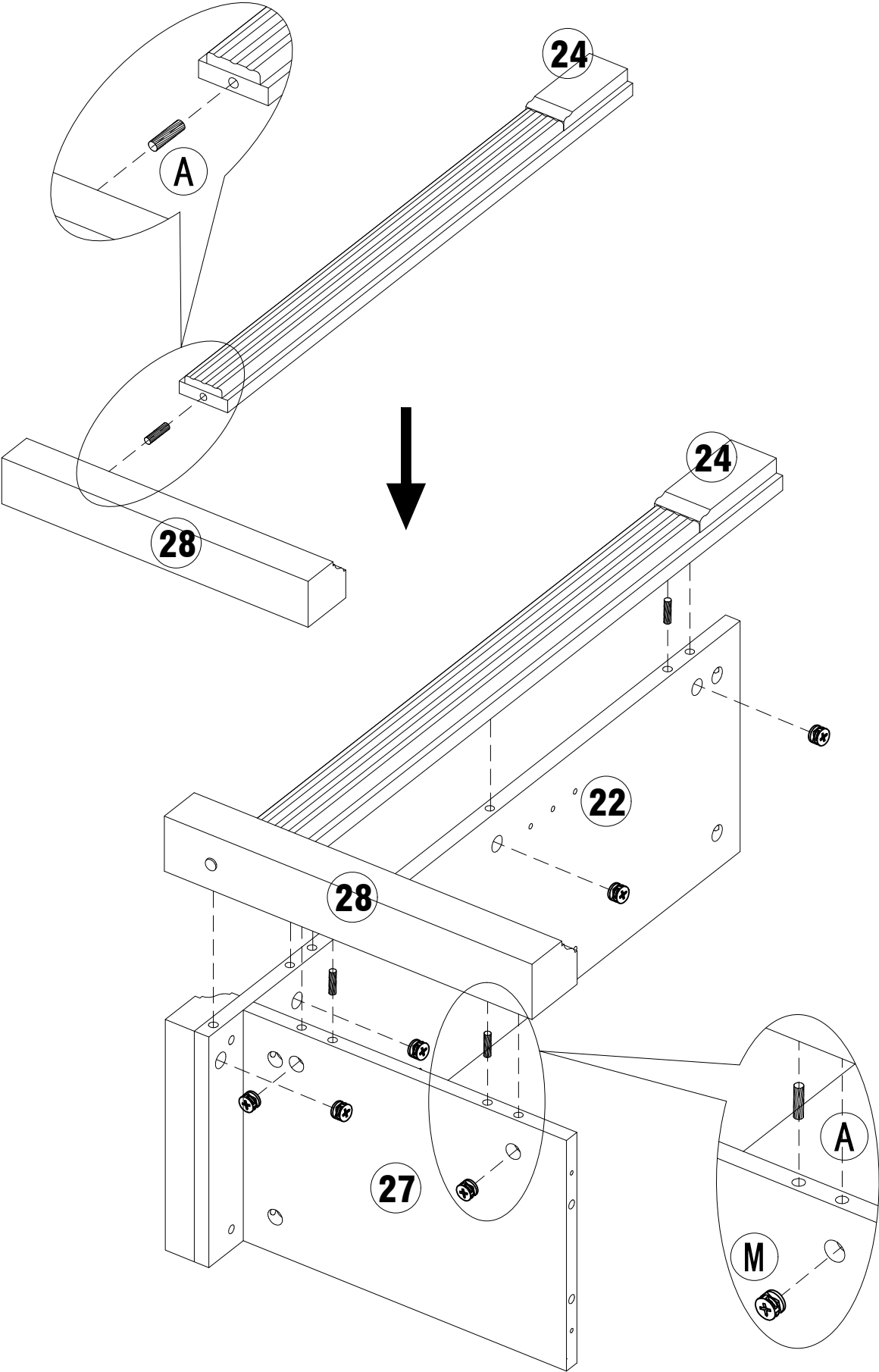
# STEP 4

	
<b>A</b>	<b>M</b>
<b>X4</b>	<b>X4</b>





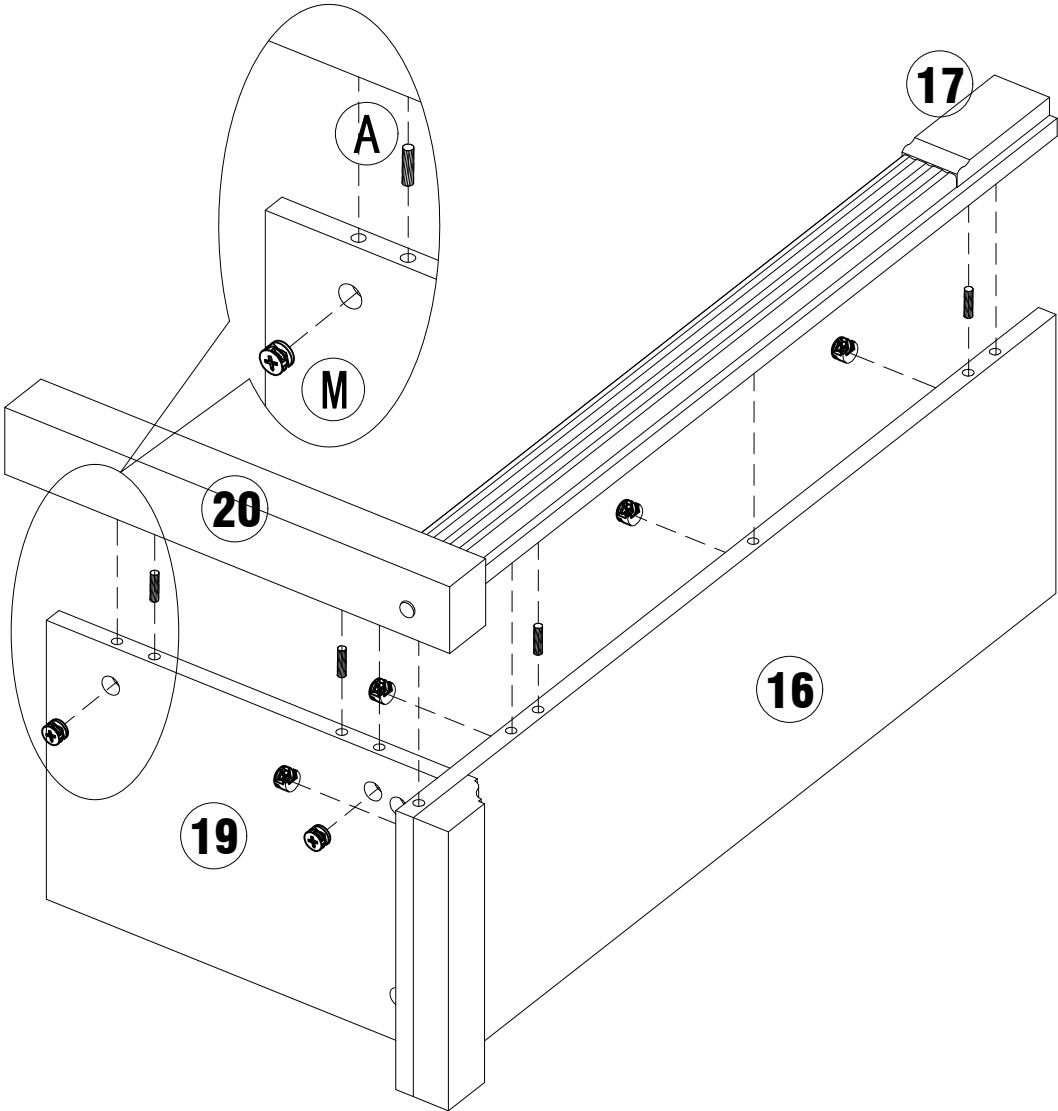
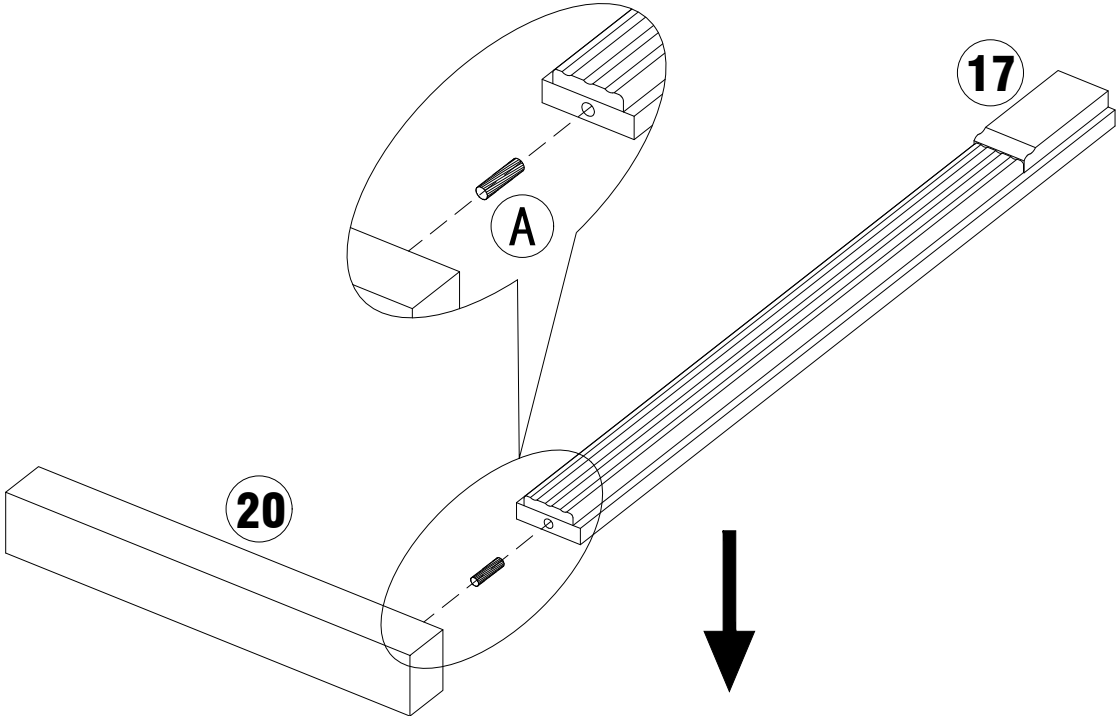
# STEP 5

	
<b>A</b>	<b>M</b>
<b>X5</b>	<b>X6</b>





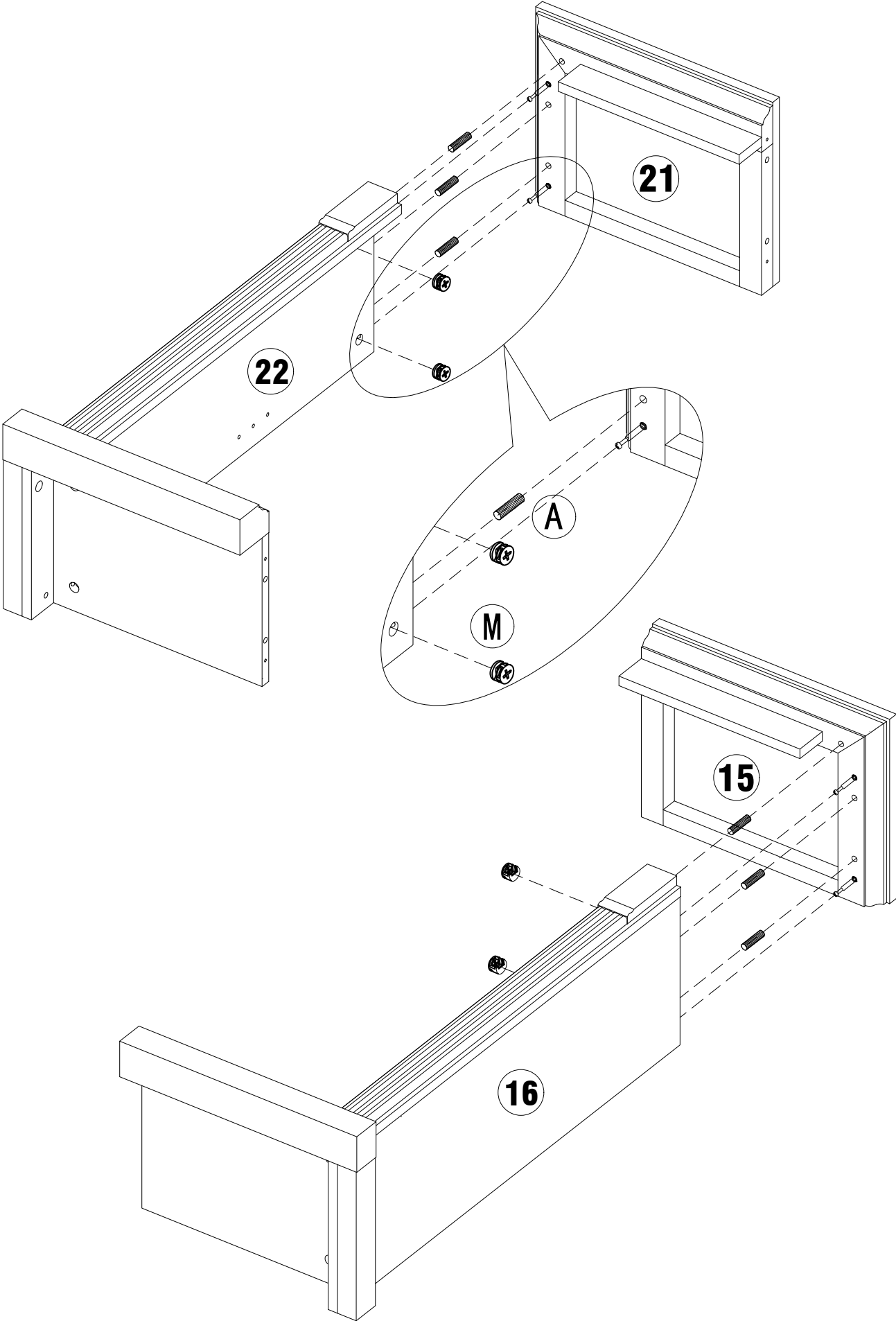
# STEP 6

	
<b>A</b>	<b>M</b>
<b>X5</b>	<b>X6</b>

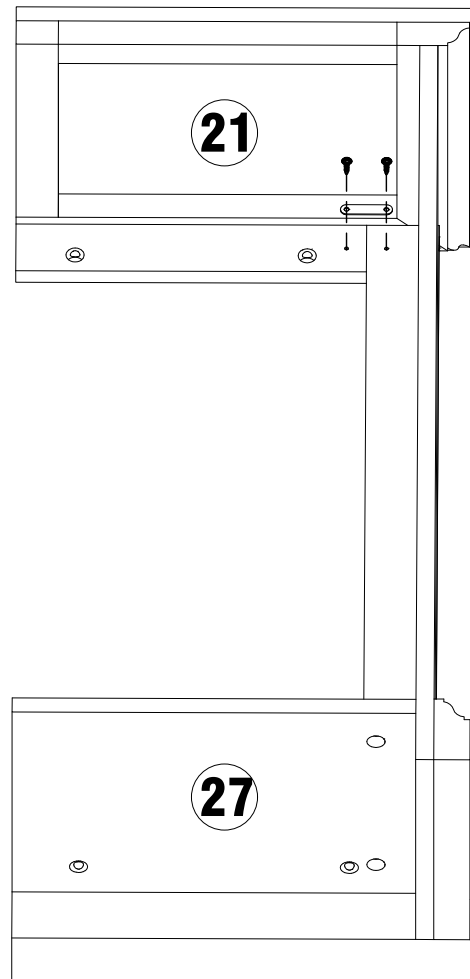
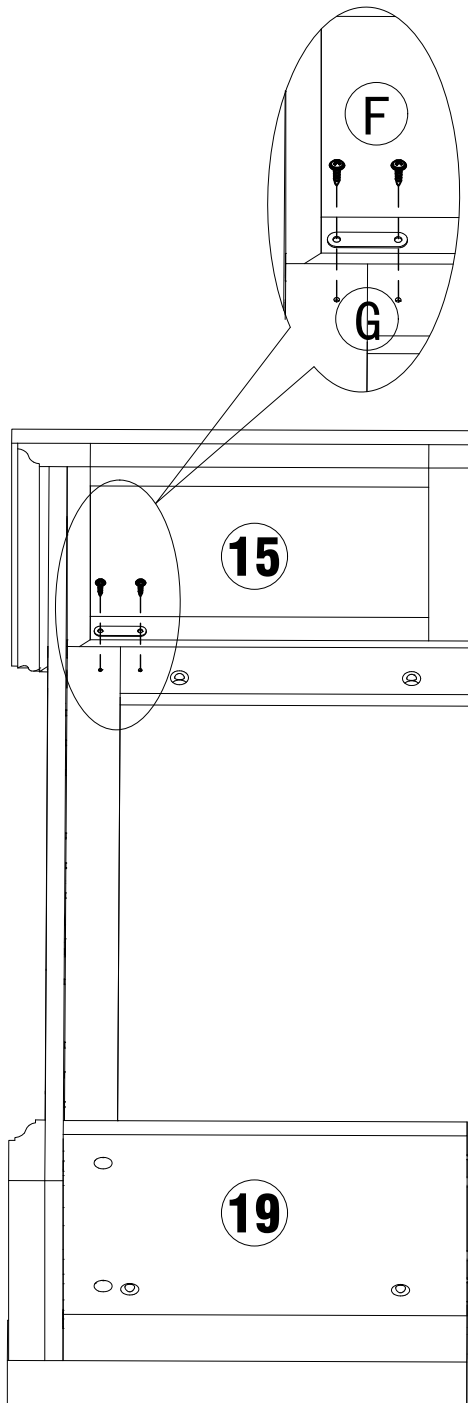
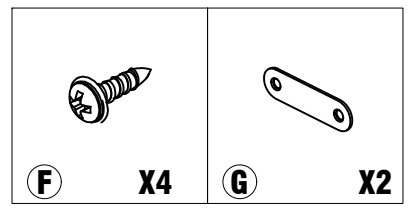


# STEP 7

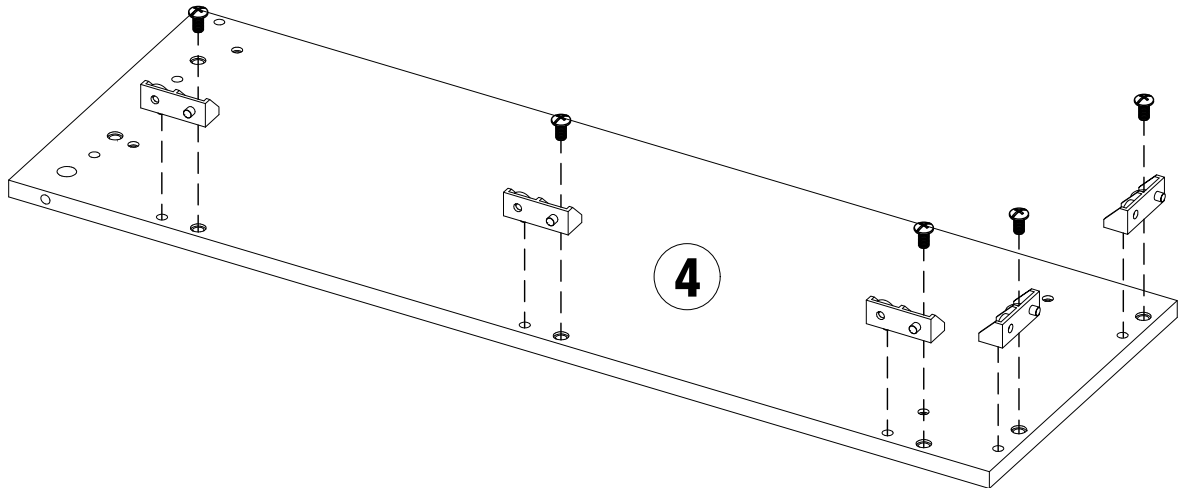
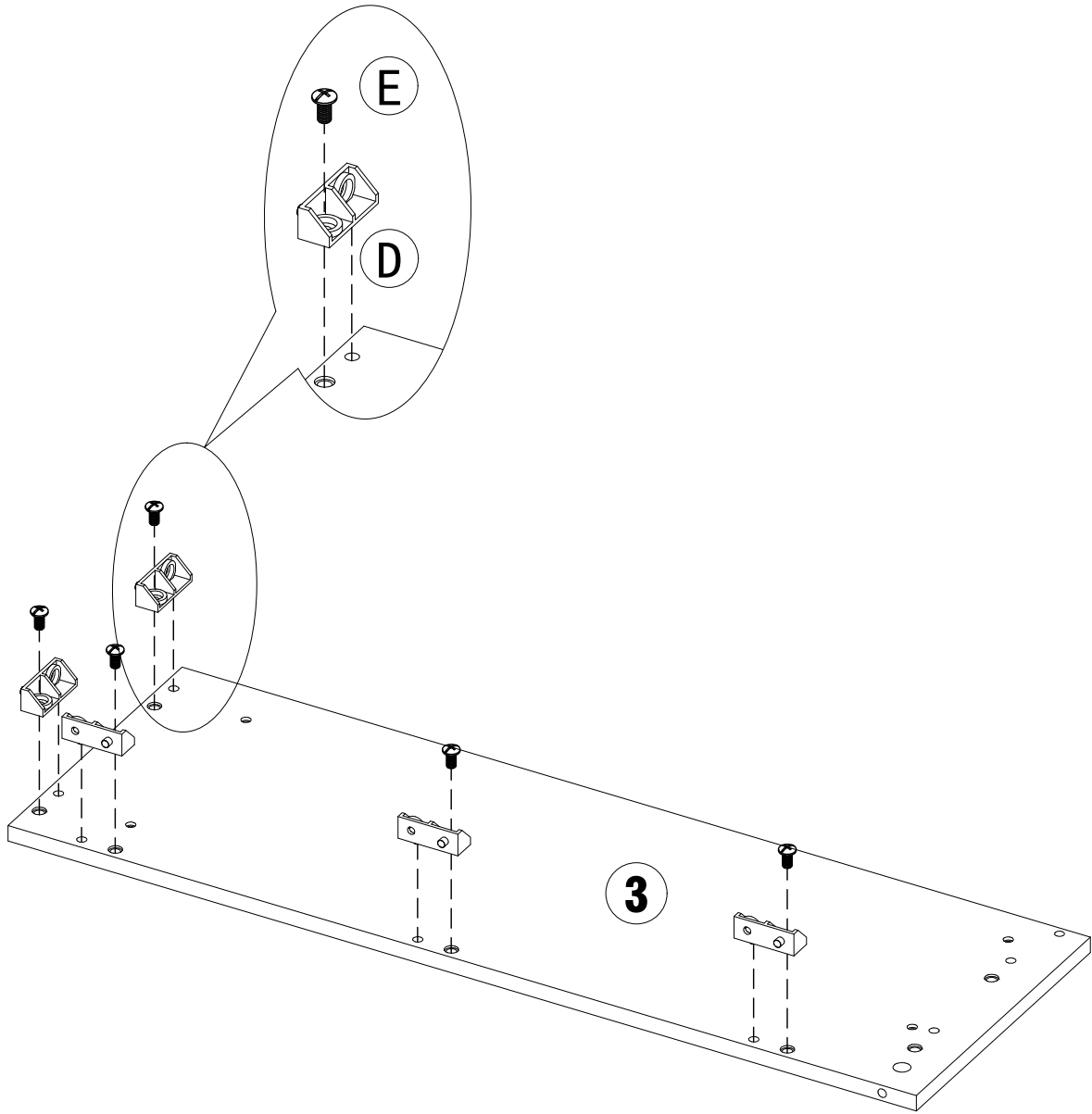
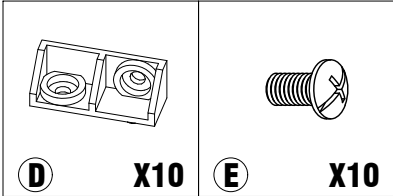
	
<b>A</b>	<b>M</b>
<b>X6</b>	<b>X4</b>



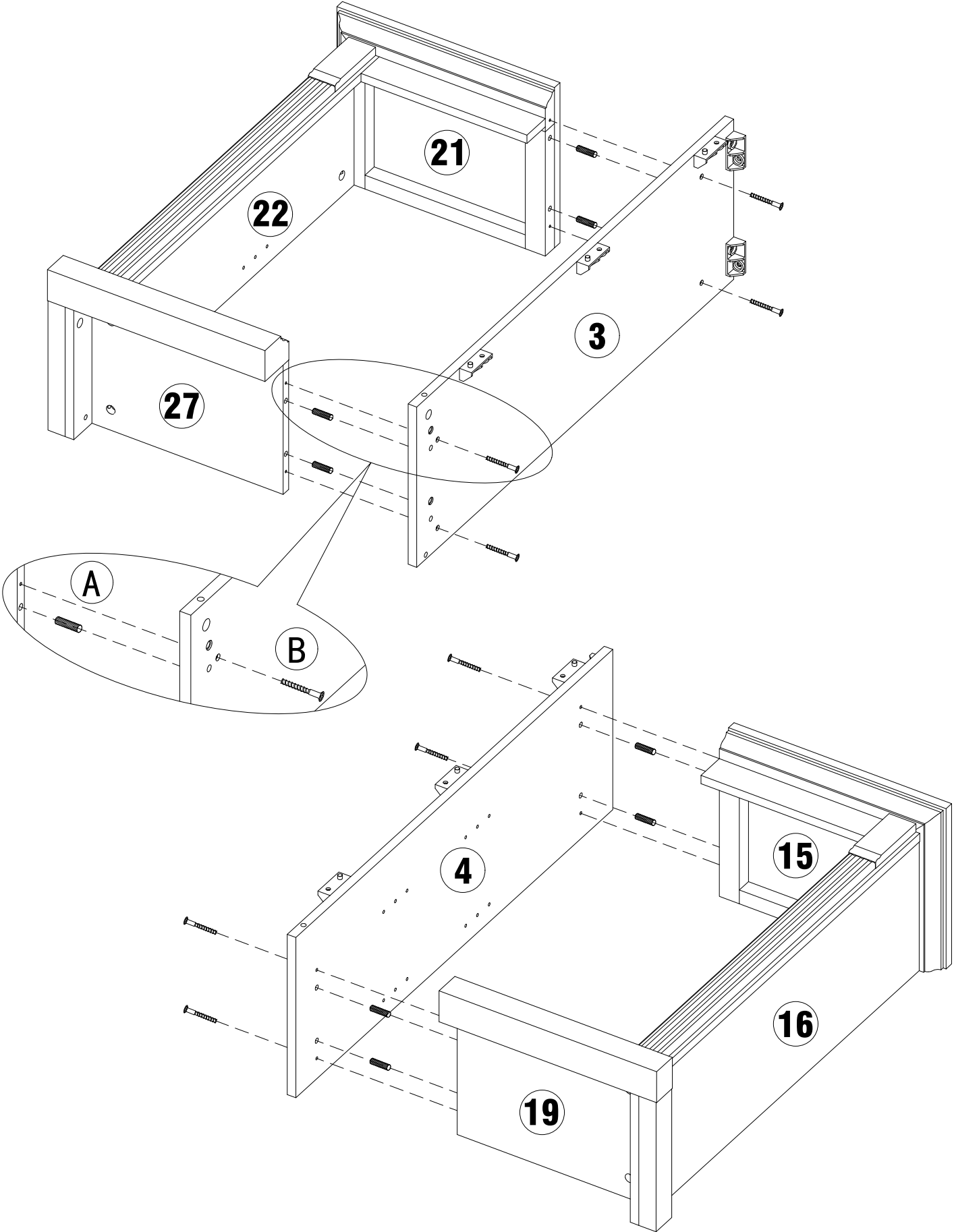
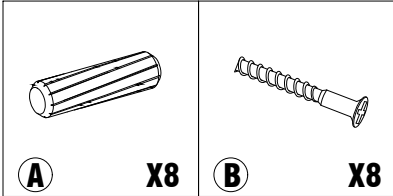
# STEP 8




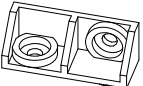
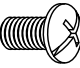


# STEP 9

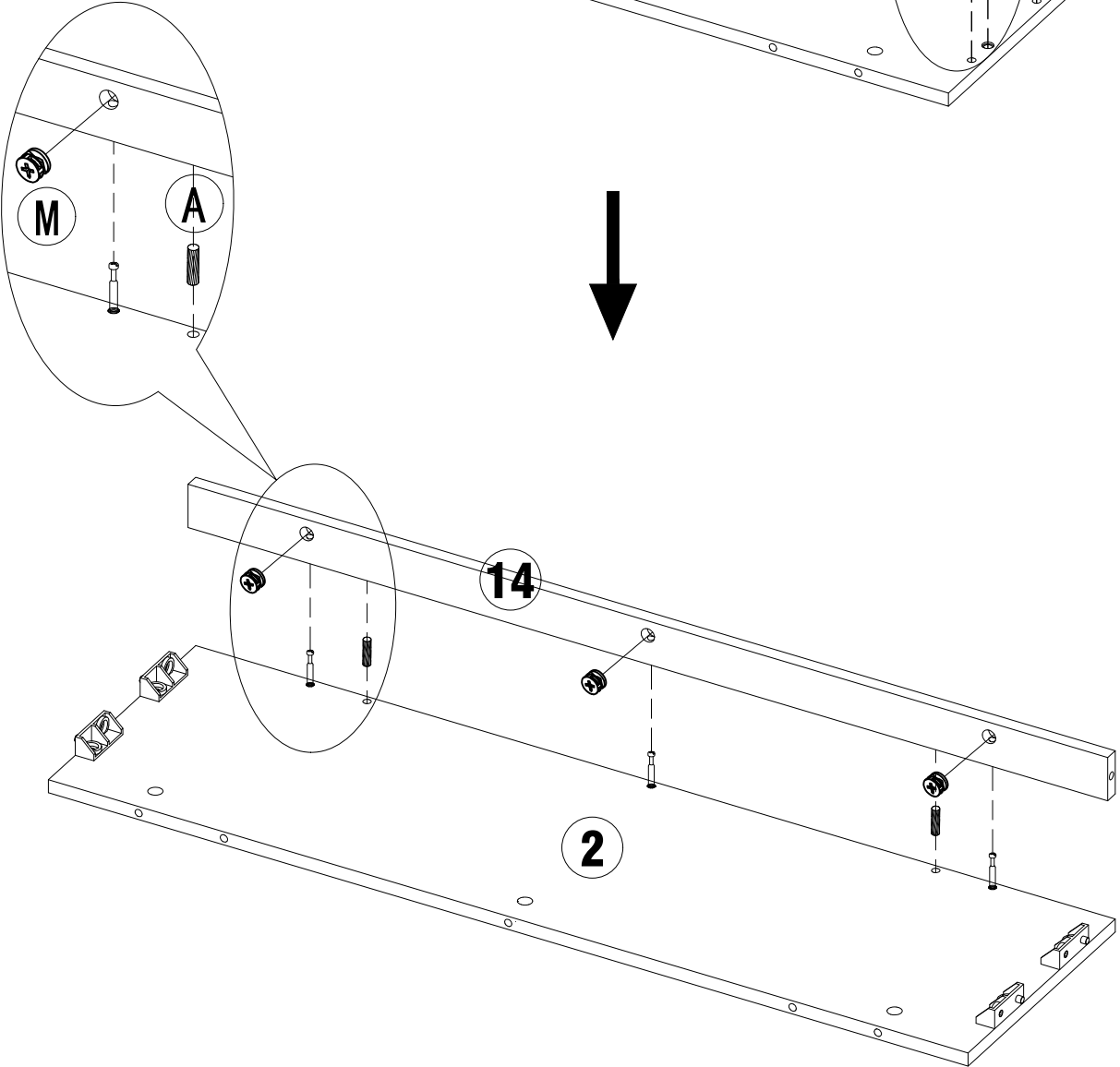
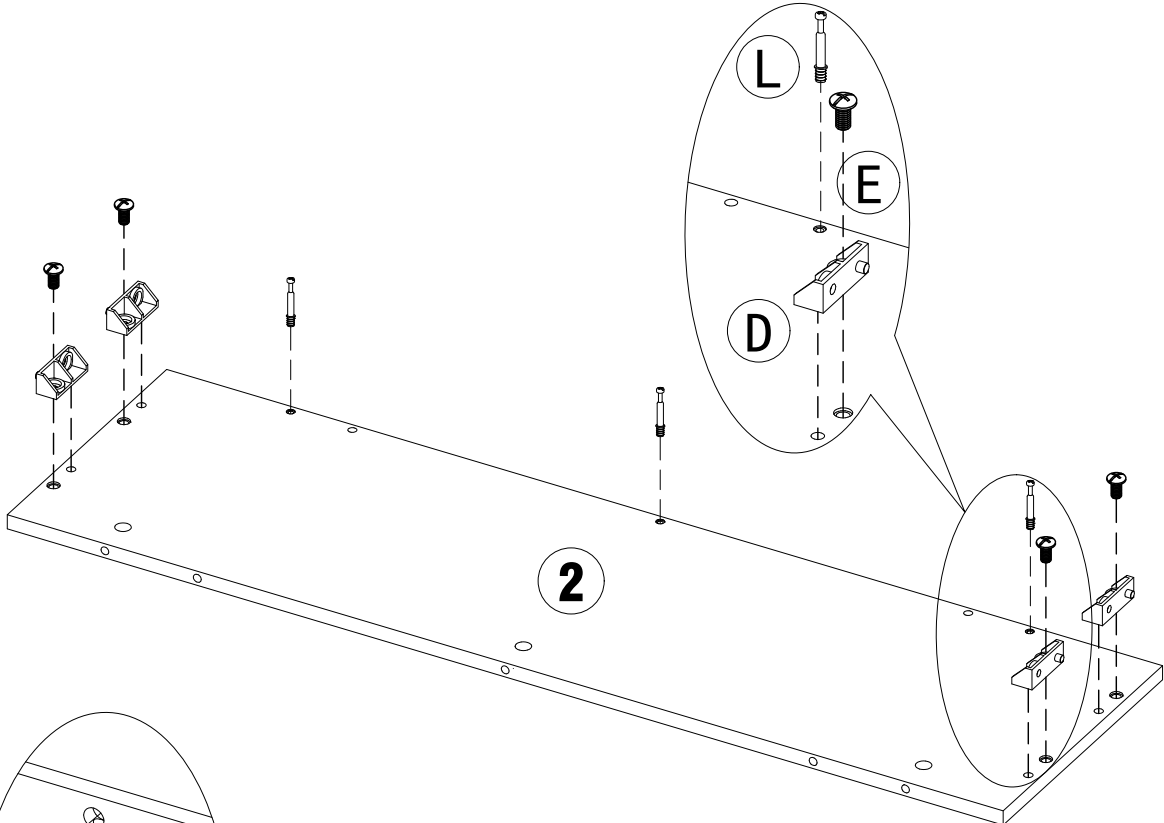


# STEP 10

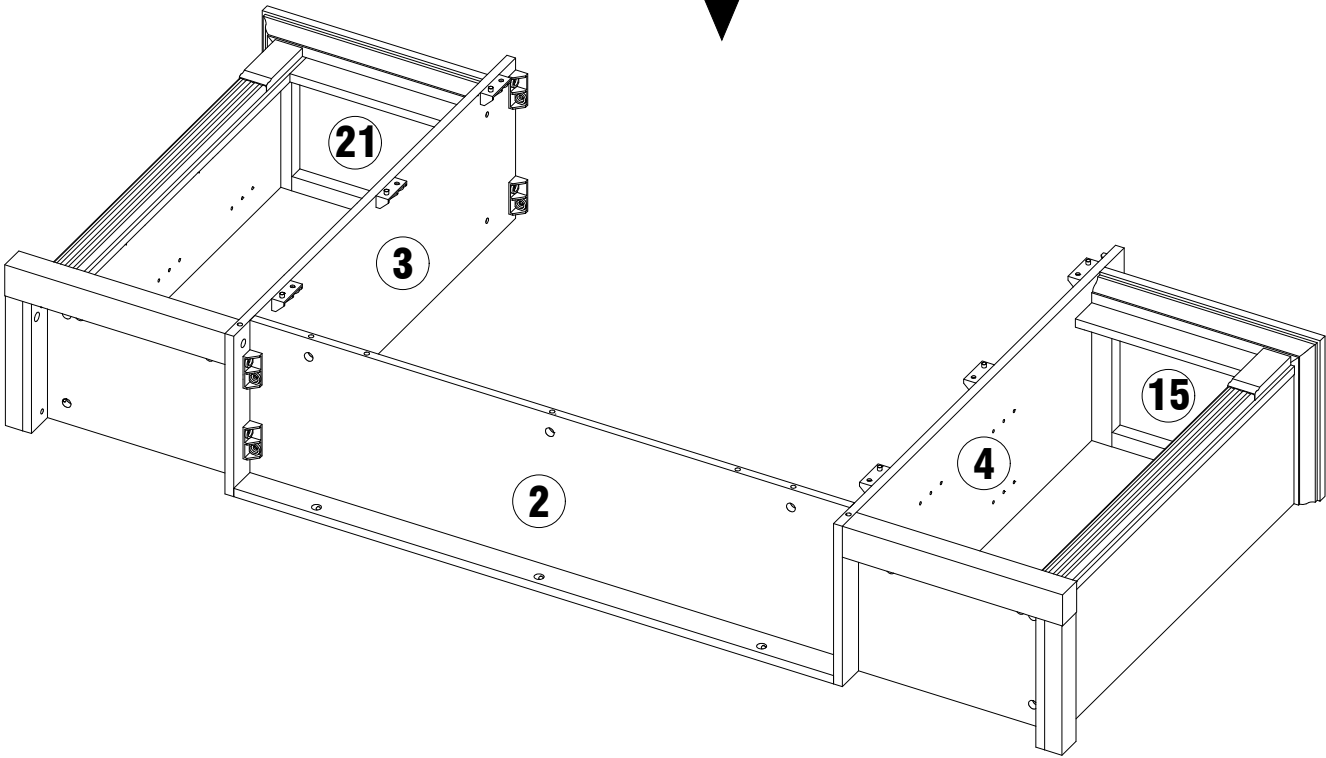
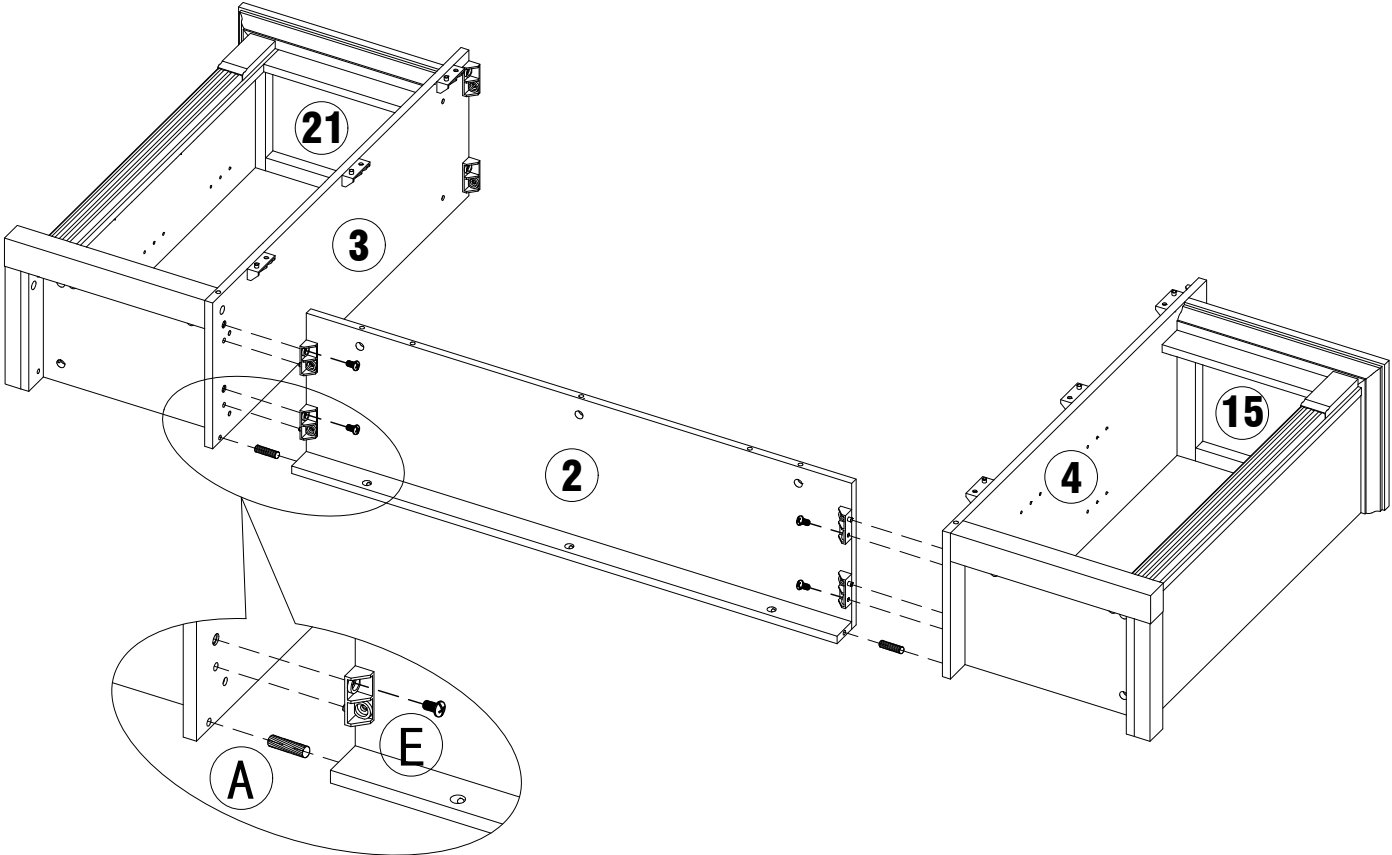
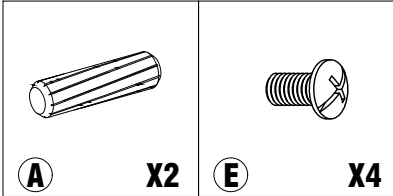


# STEP 11

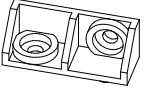


									
<b>A</b>	<b>X2</b>	<b>D</b>	<b>X4</b>	<b>E</b>	<b>X4</b>	<b>L</b>	<b>X3</b>	<b>M</b>	<b>X3</b>

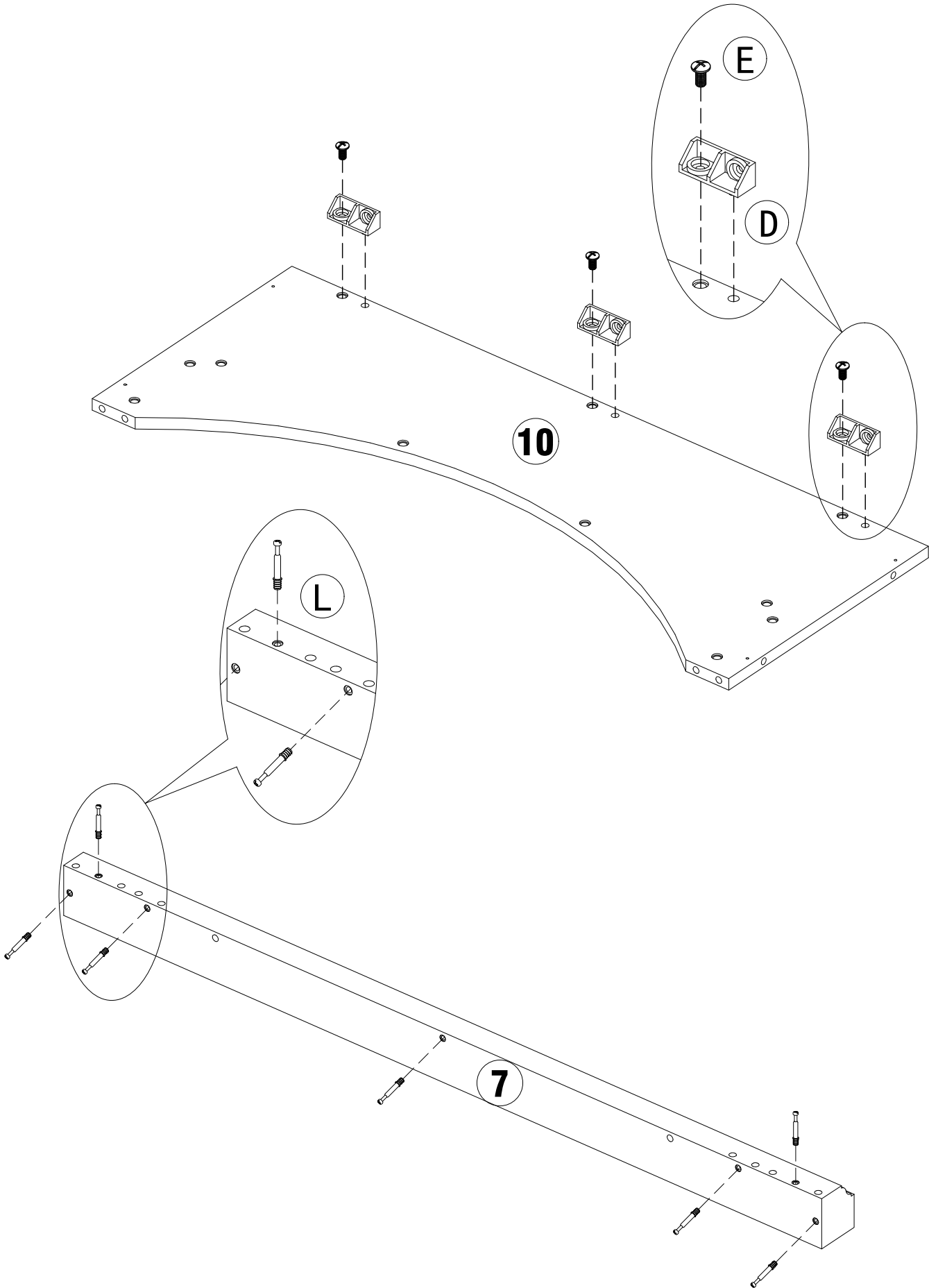


# STEP 12

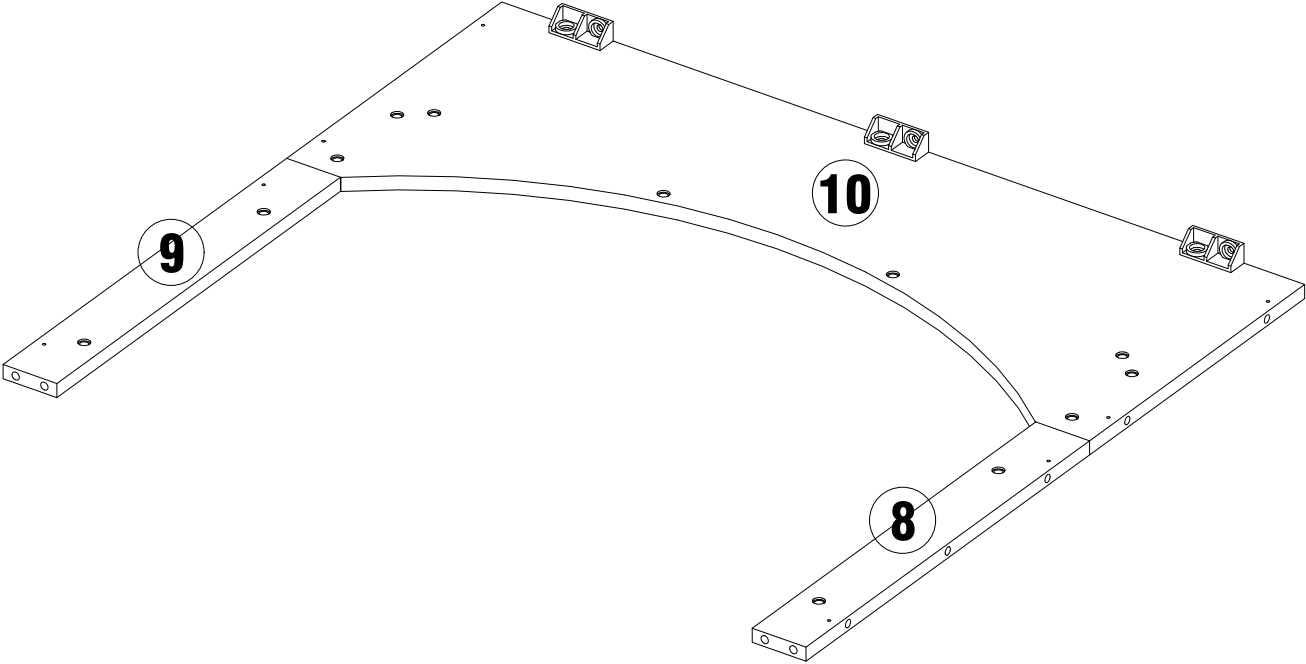
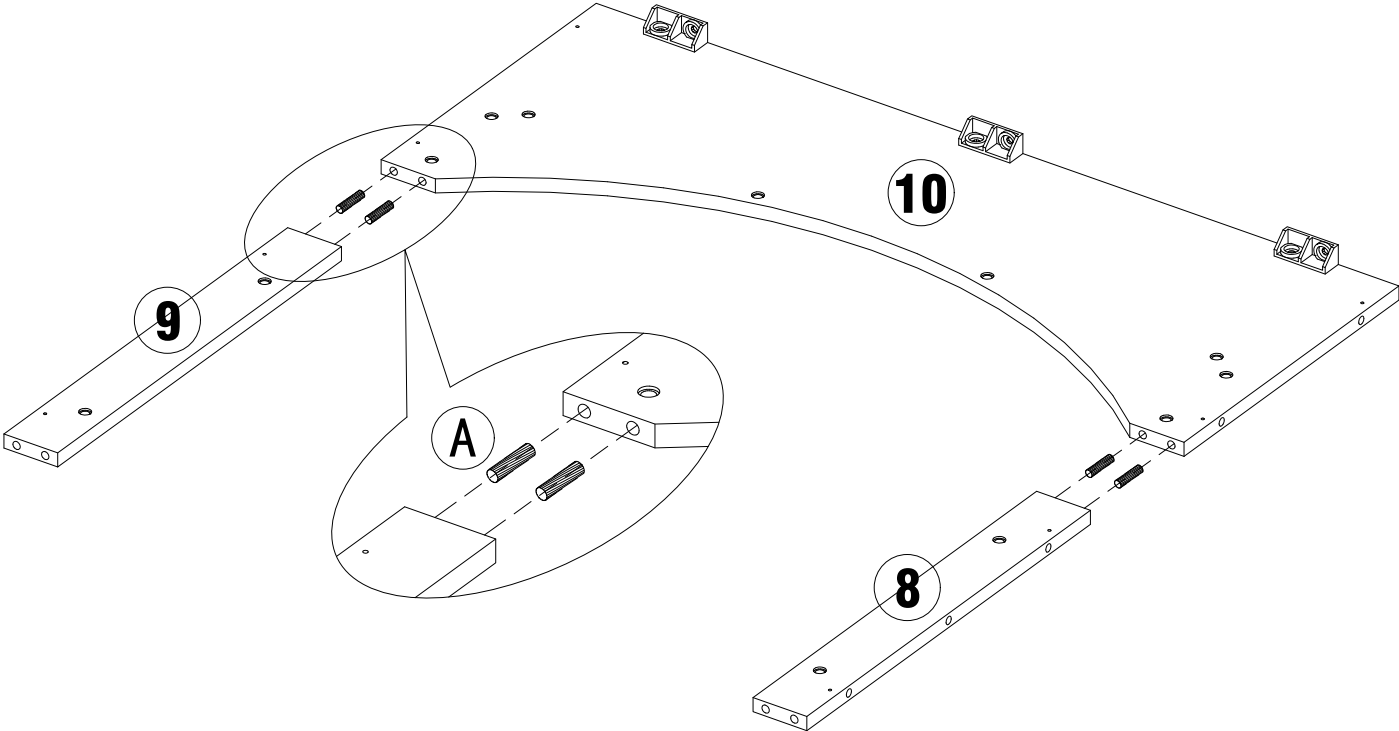
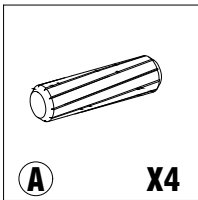


# STEP 13




					
<b>D</b>	<b>X3</b>	<b>E</b>	<b>X3</b>	<b>L</b>	<b>X7</b>

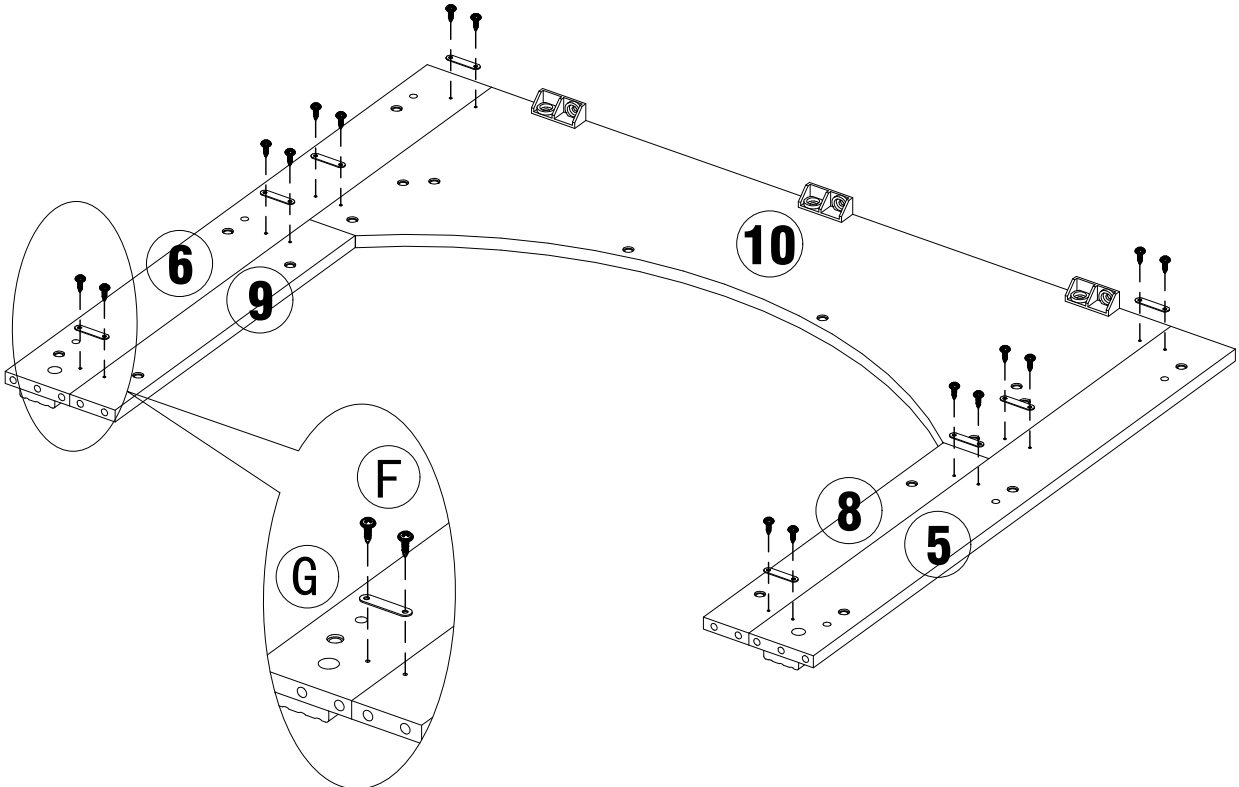
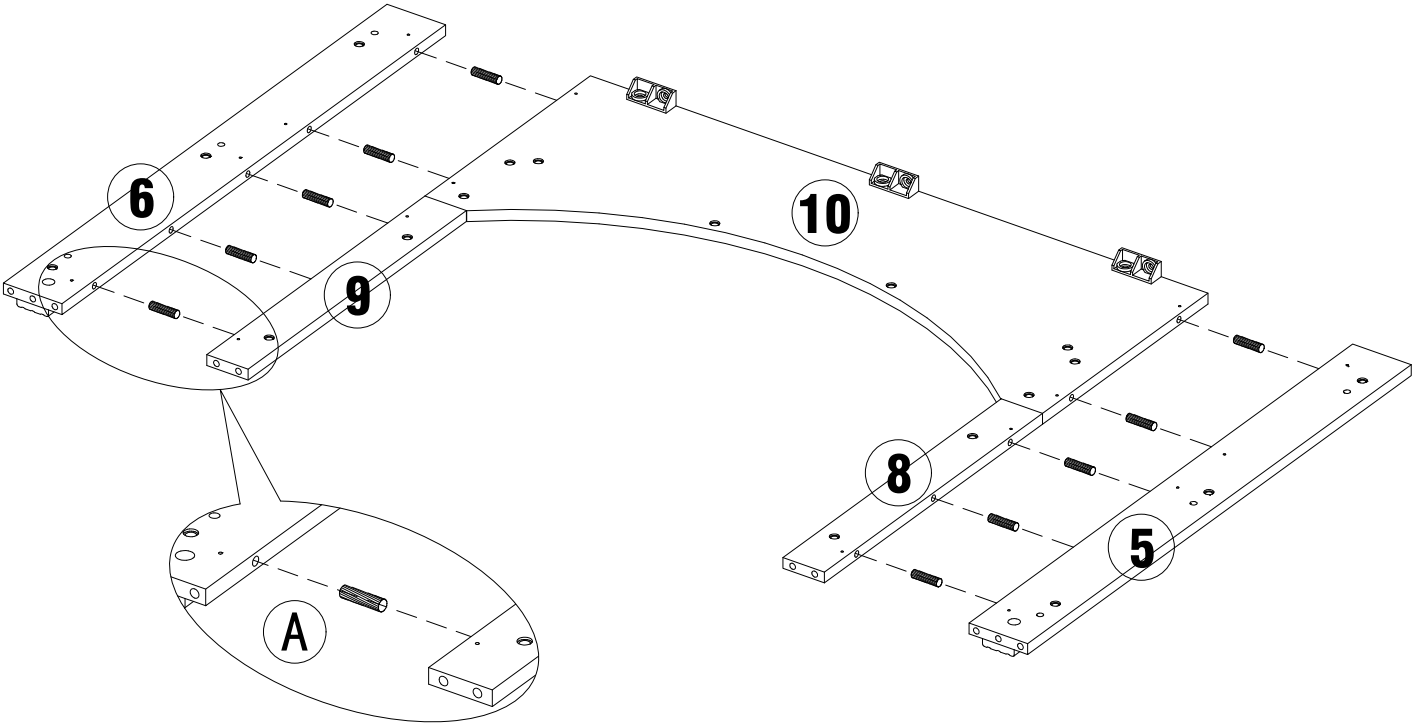


# STEP 14





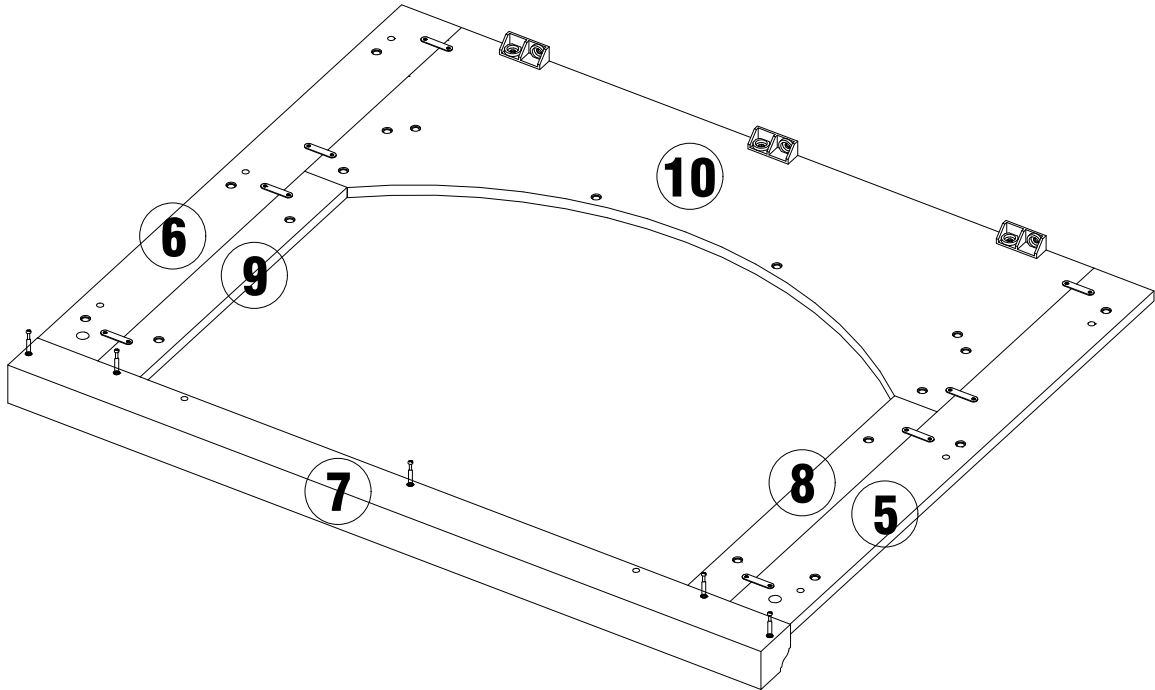
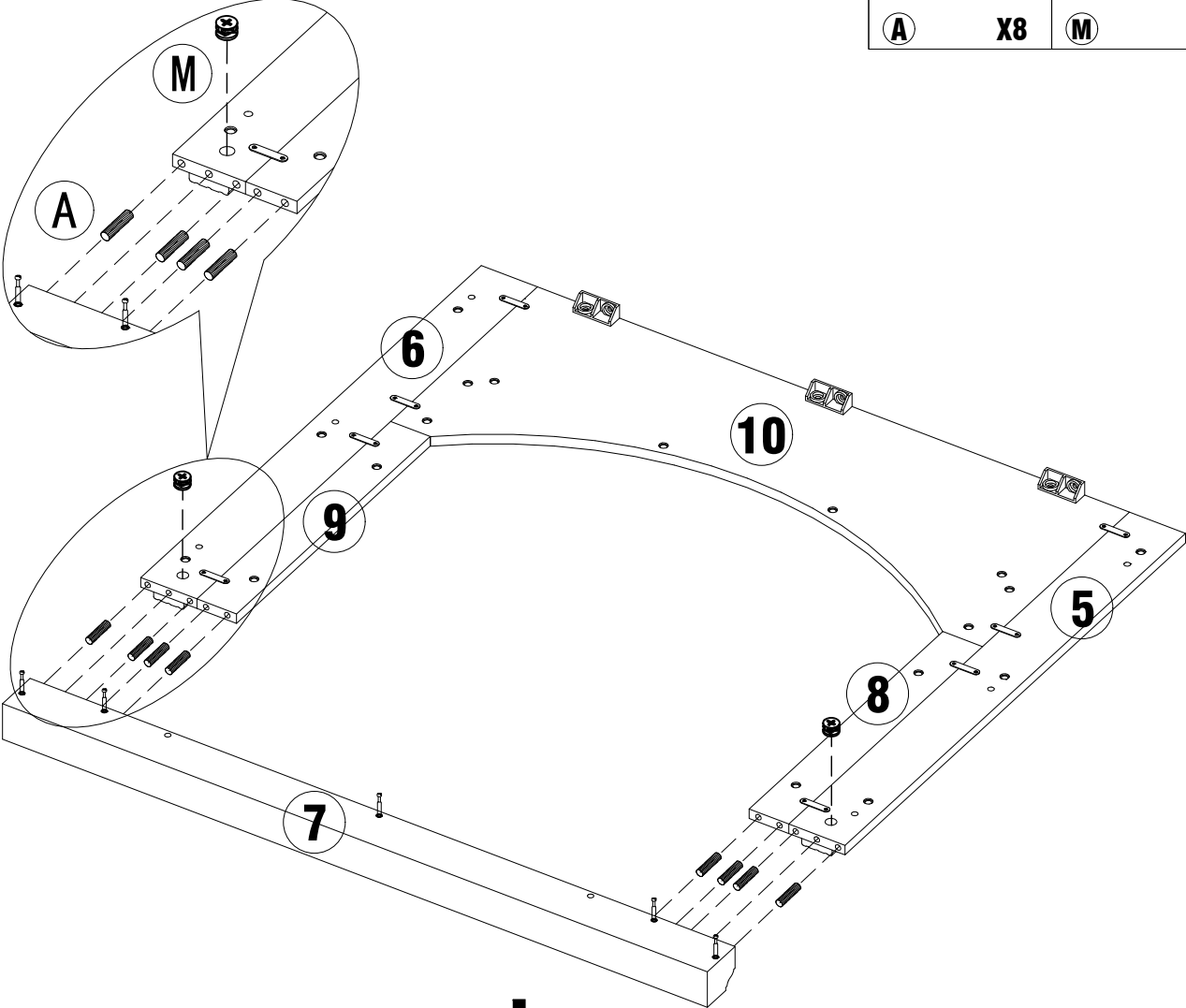
# STEP 15

		
<b>A</b>	<b>F</b>	<b>G</b>
<b>X10</b>	<b>X16</b>	<b>X8</b>





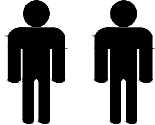
# STEP 16

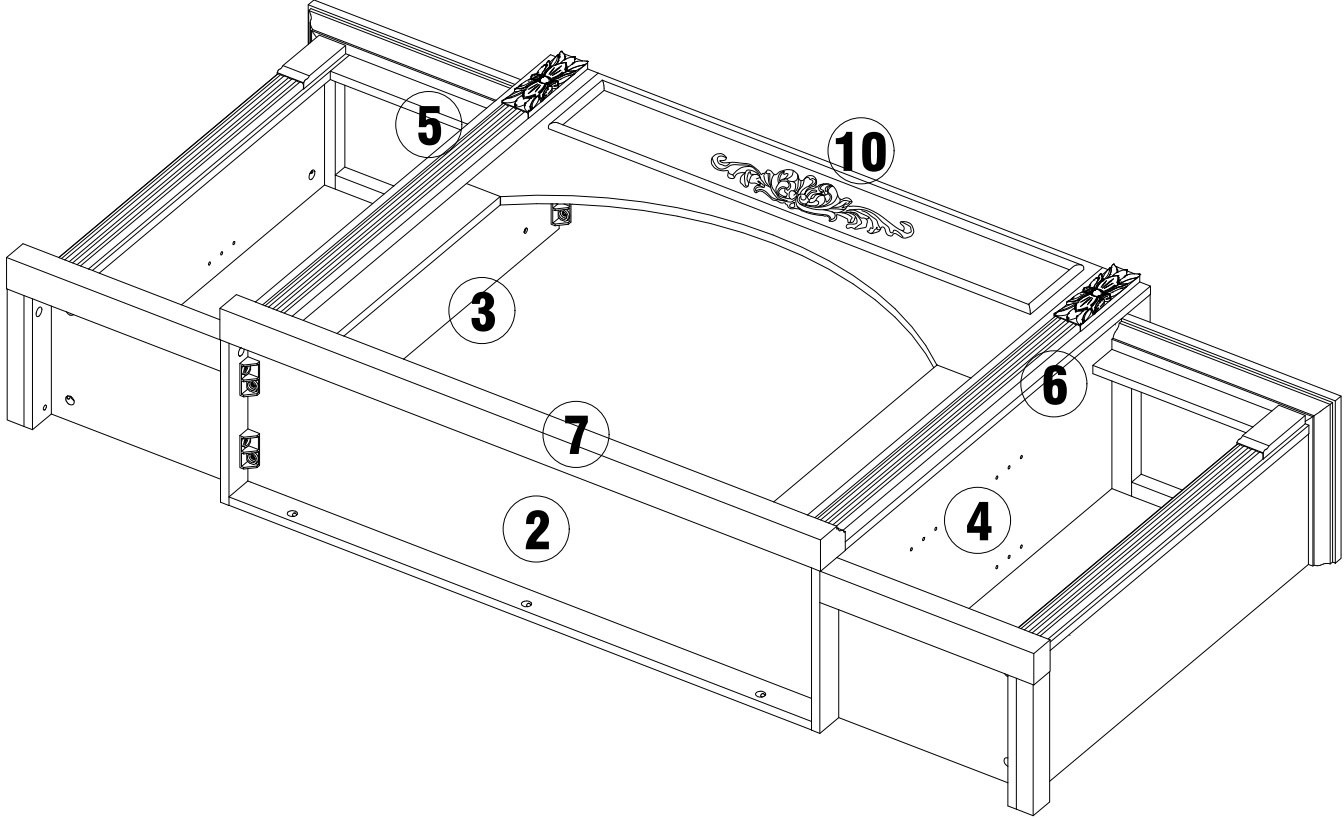
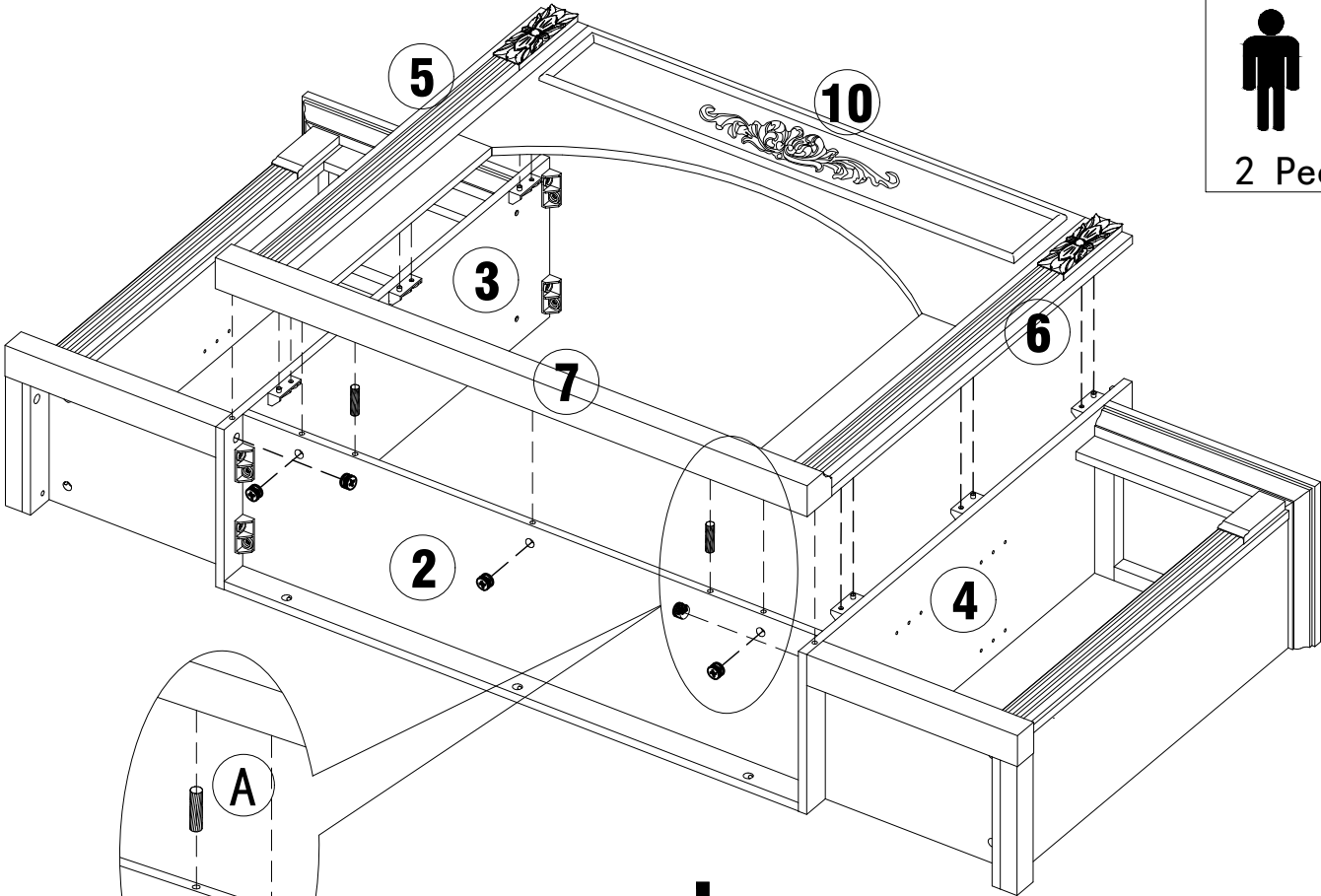
	
<b>A</b>	<b>M</b>
<b>X8</b>	<b>X2</b>



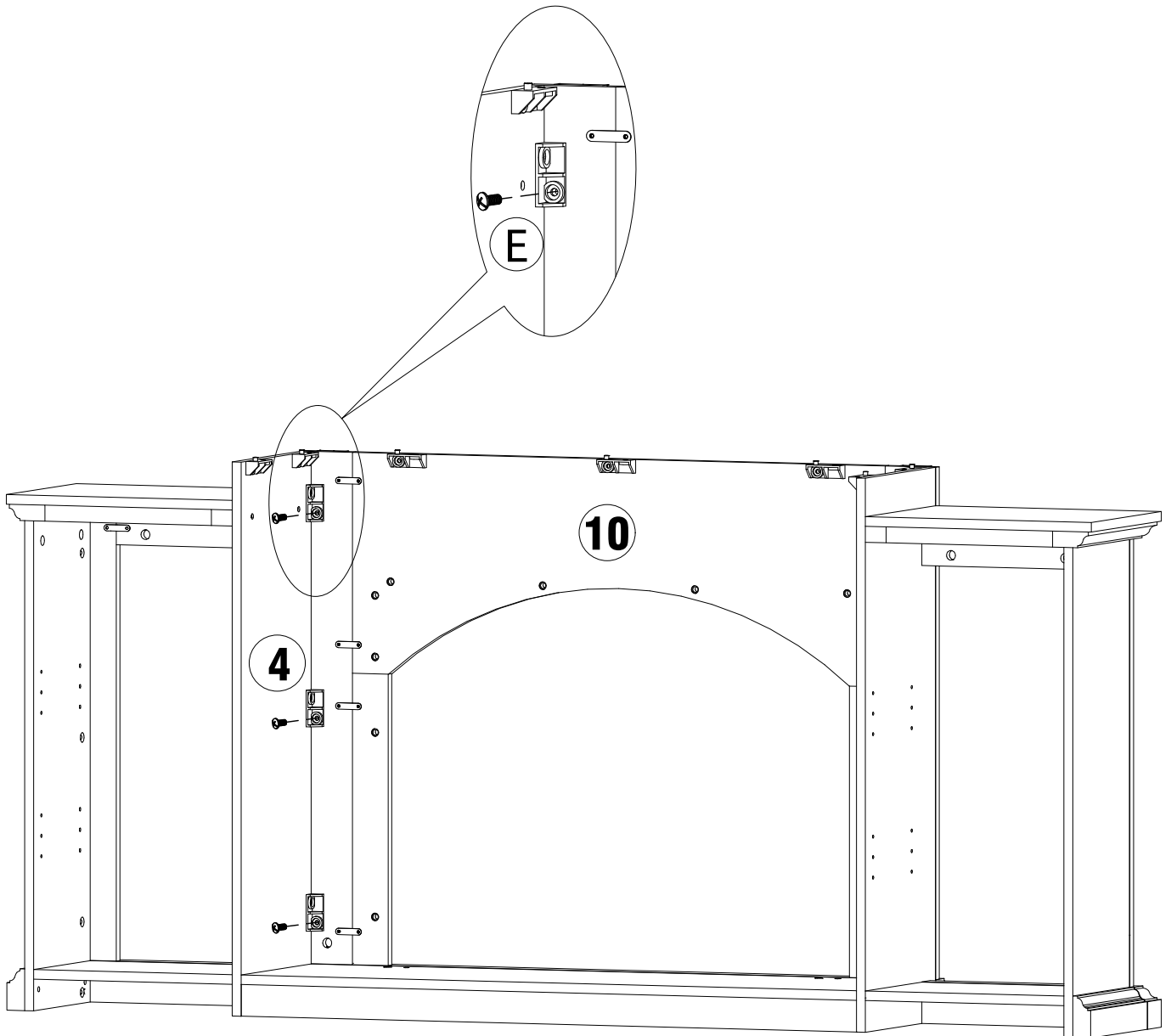
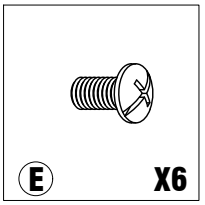
# STEP 17

	
<b>A</b>	<b>M</b>
<b>X2</b>	<b>X5</b>

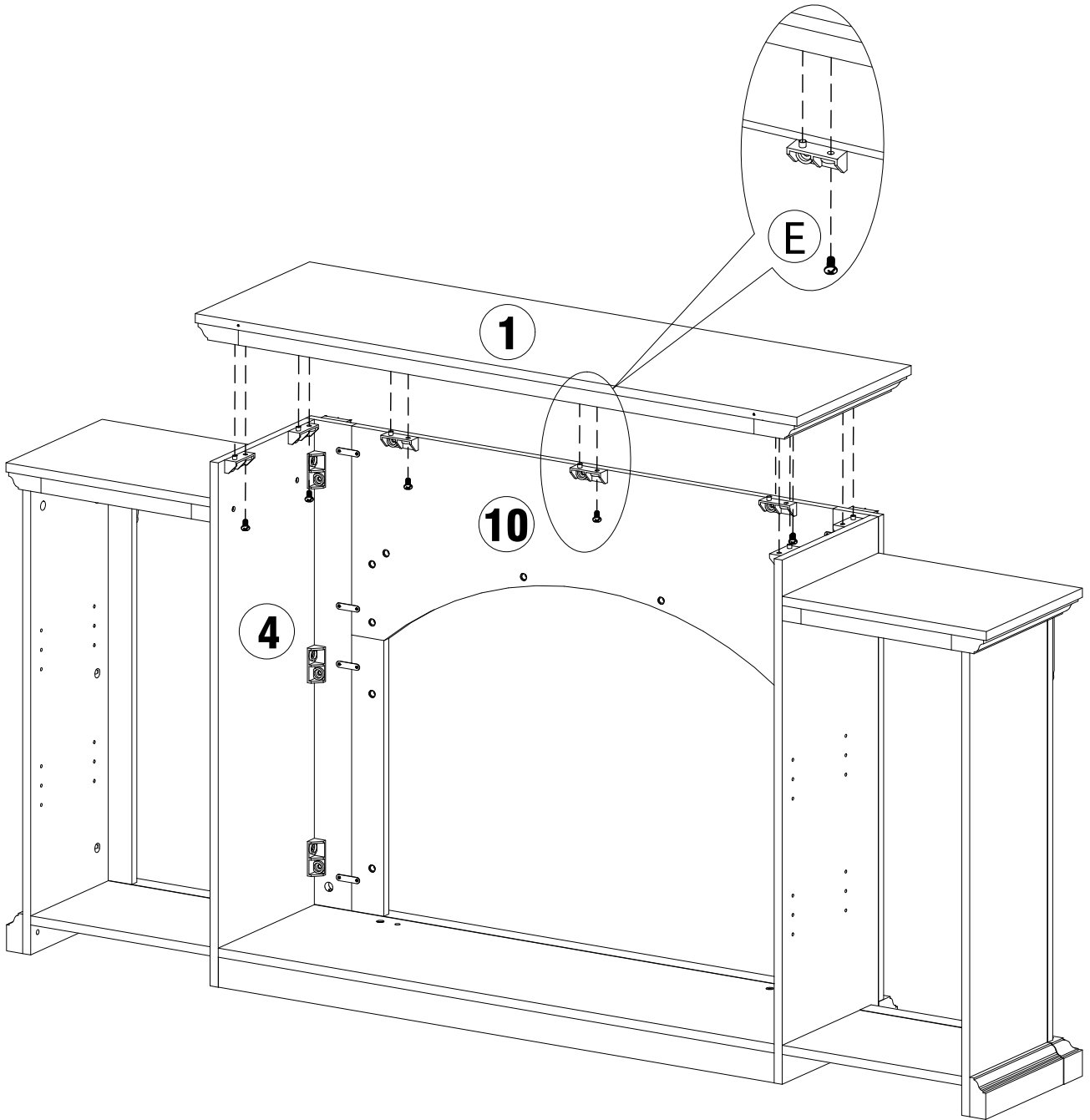
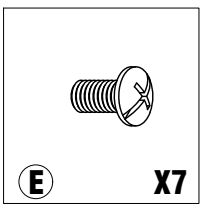

<b>2 People</b>




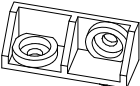
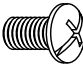


# STEP 18

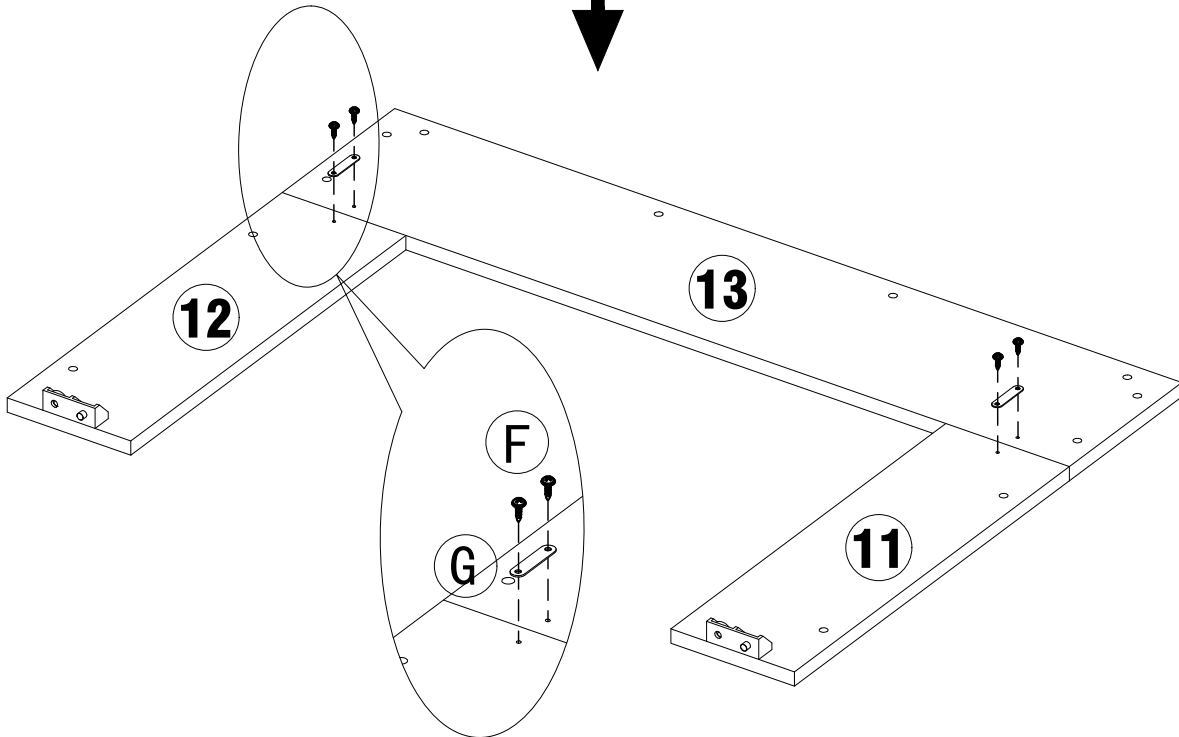
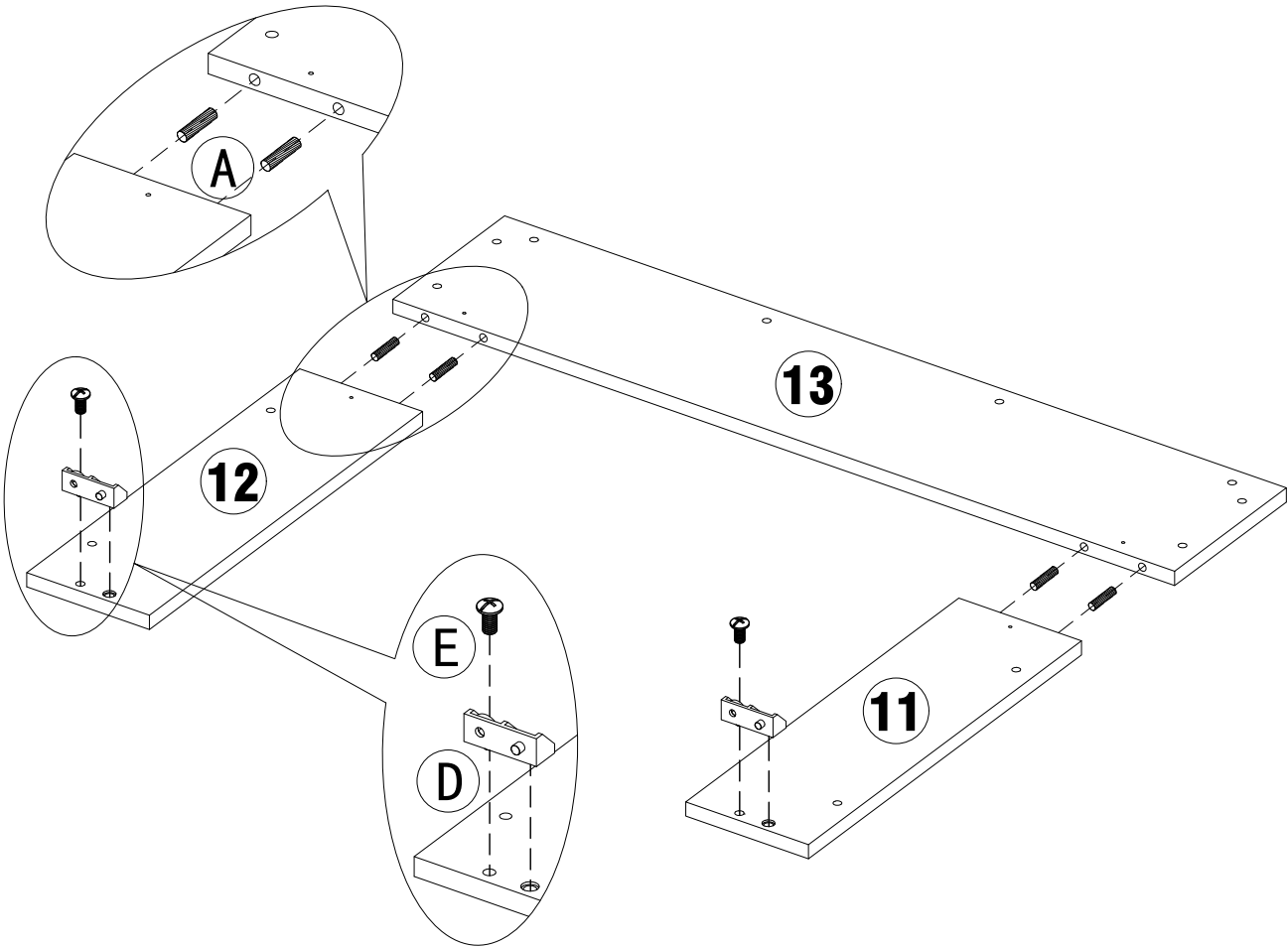


# STEP 19

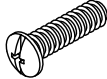
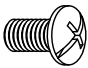


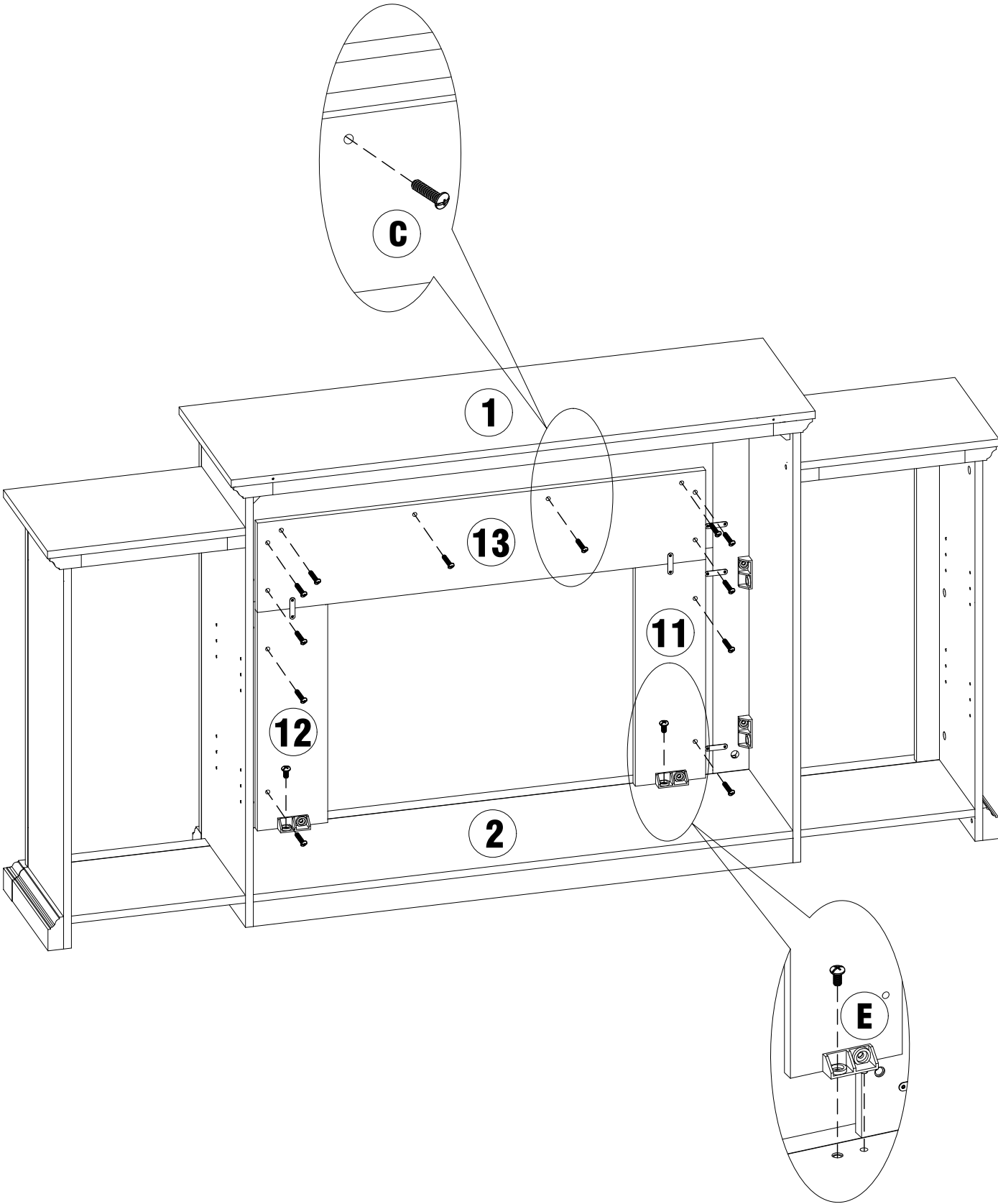
# STEP 20

									
<b>A</b>	<b>X4</b>	<b>D</b>	<b>X2</b>	<b>E</b>	<b>X2</b>	<b>F</b>	<b>X4</b>	<b>G</b>	<b>X2</b>

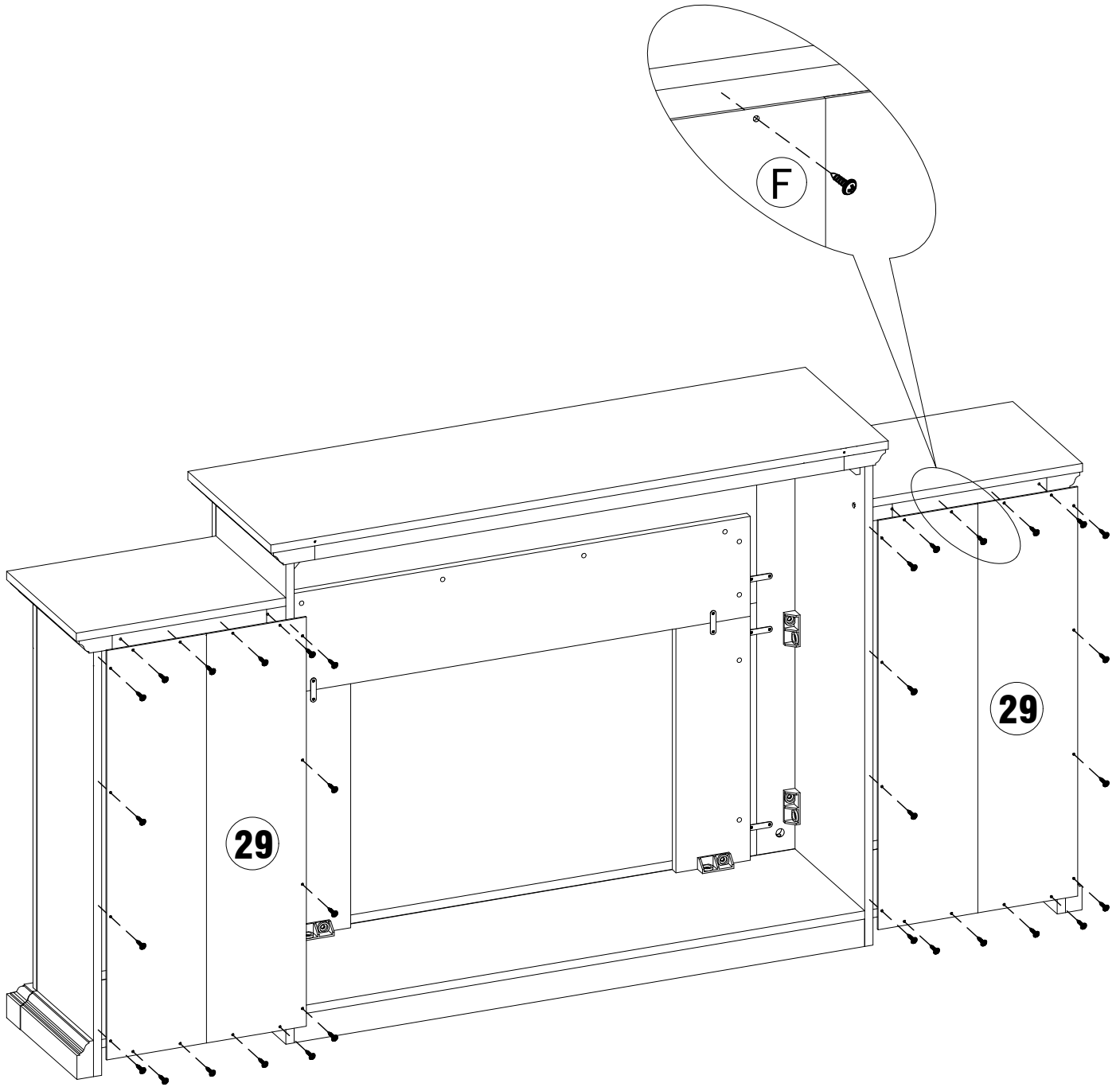
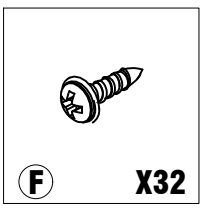


# STEP 21

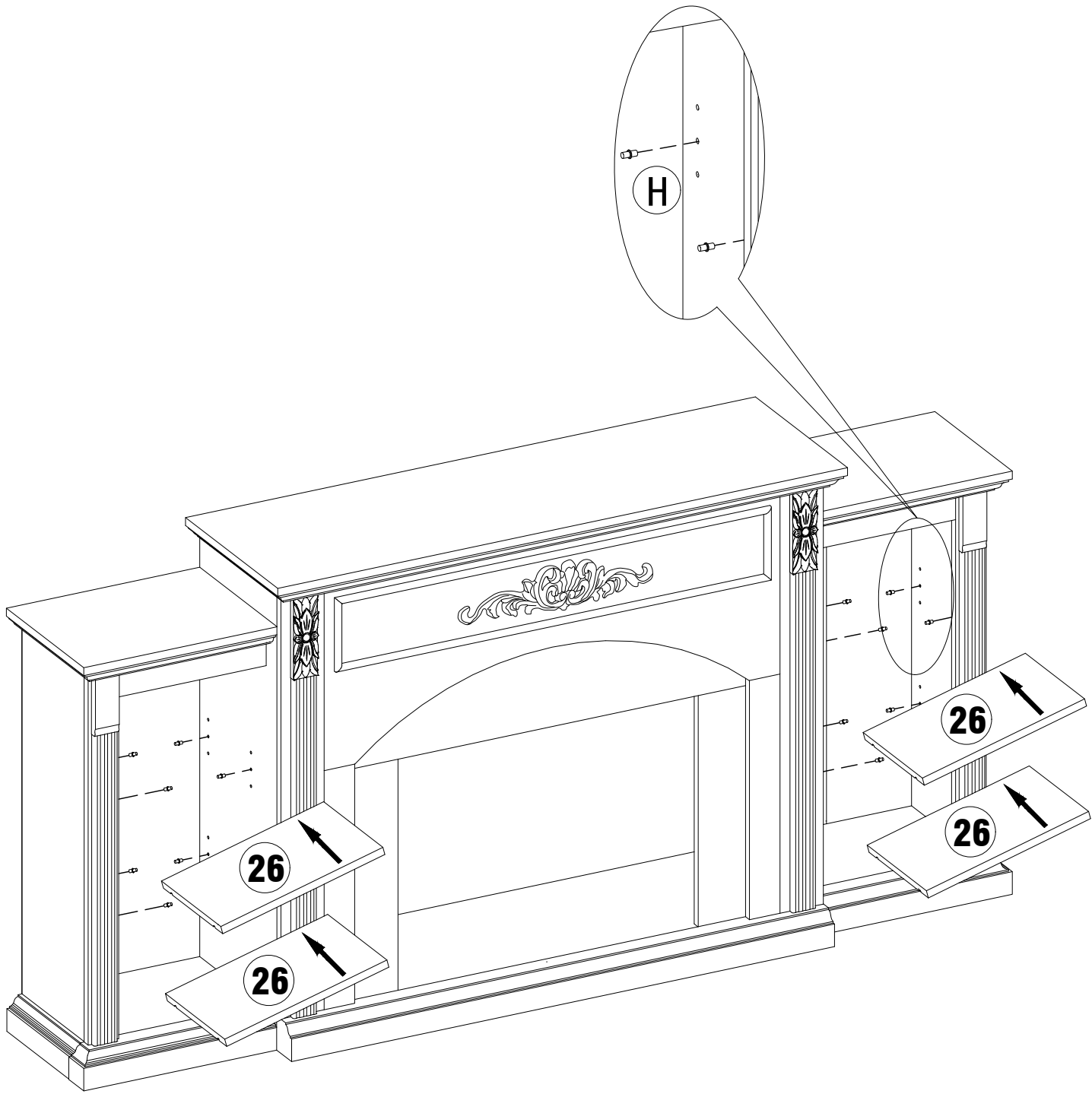
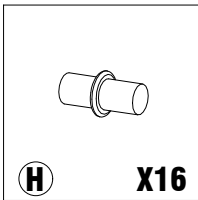
	
<b>C</b>	<b>E</b>
<b>X12</b>	<b>X2</b>



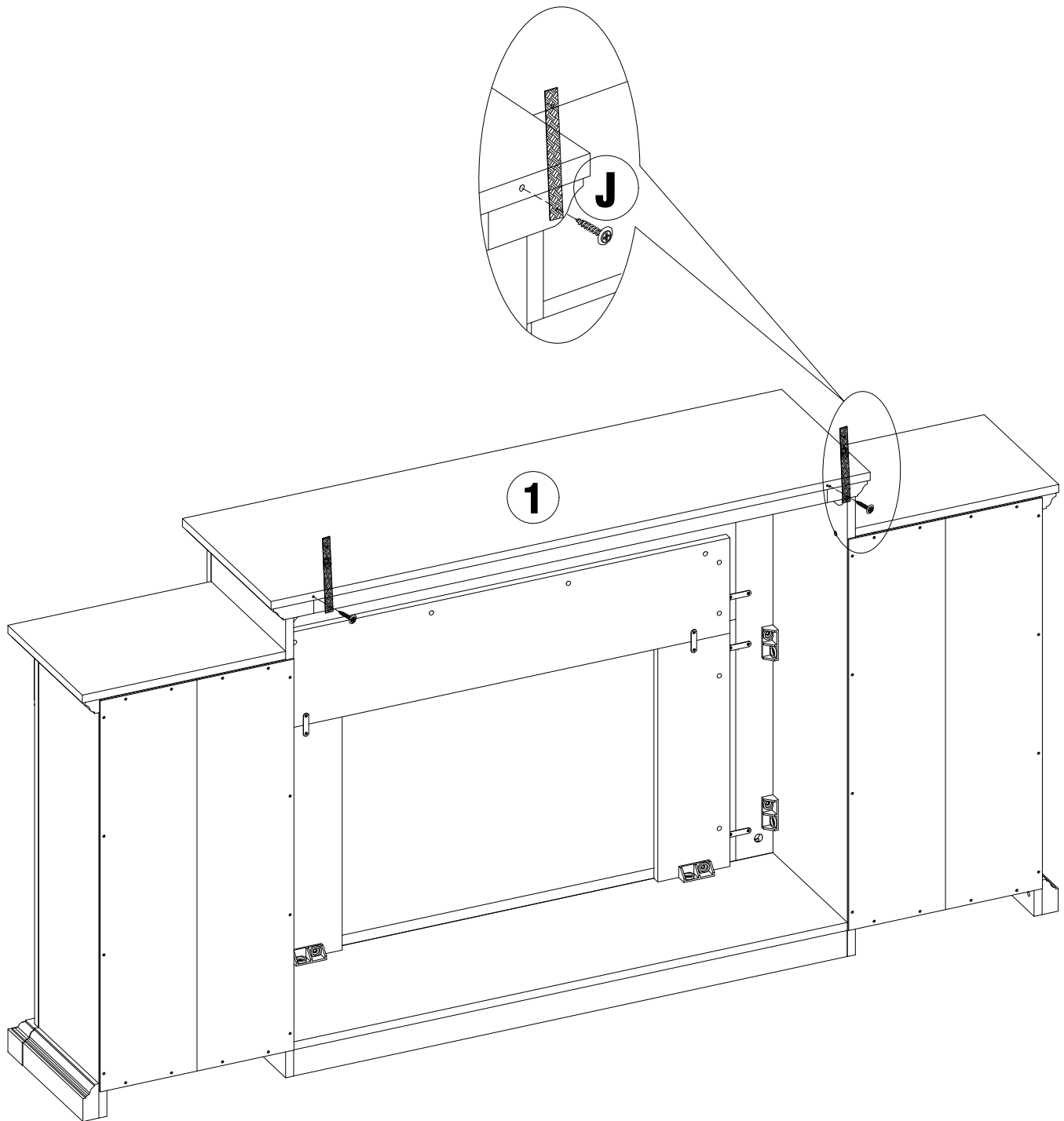
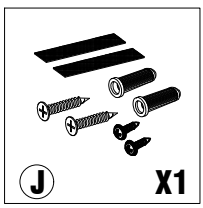
# STEP 22



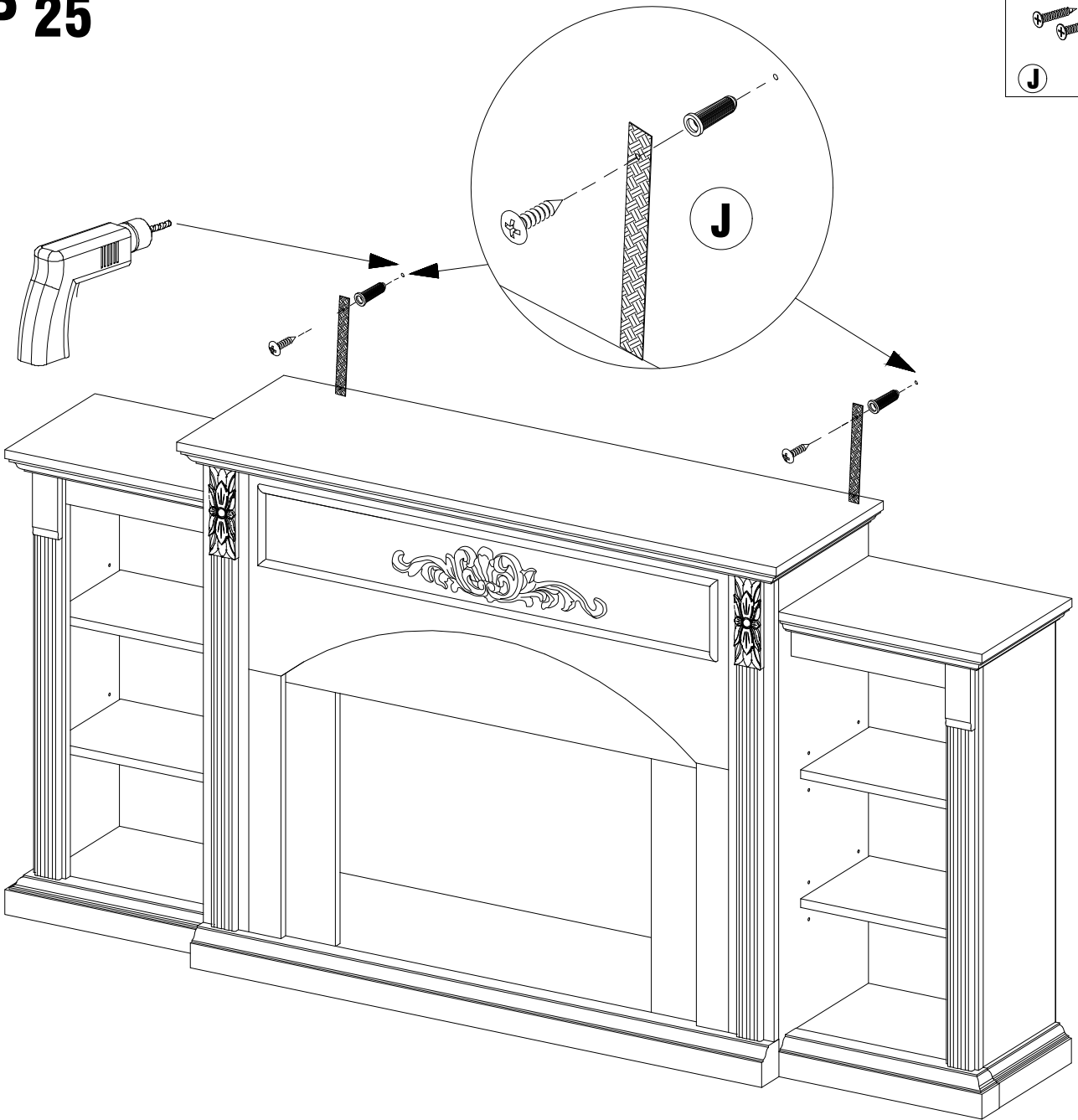
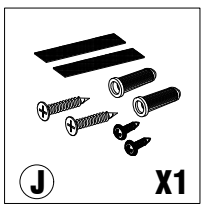
# STEP 23



# STEP 24



# STEP 25



## **⚠ WARNING**



**Children have died from furniture tipover.  
To reduce the risk of furniture tipover:**

- ALWAYS install tipover restraint provided.
- NEVER put a TV on this product.
- NEVER allow children to stand, climb or hang on drawers, doors, or shelves.
- NEVER open more than one drawer at a time.
- Place heaviest items in the lowest drawers.

*This is a permanent label.  
Do not remove!*

