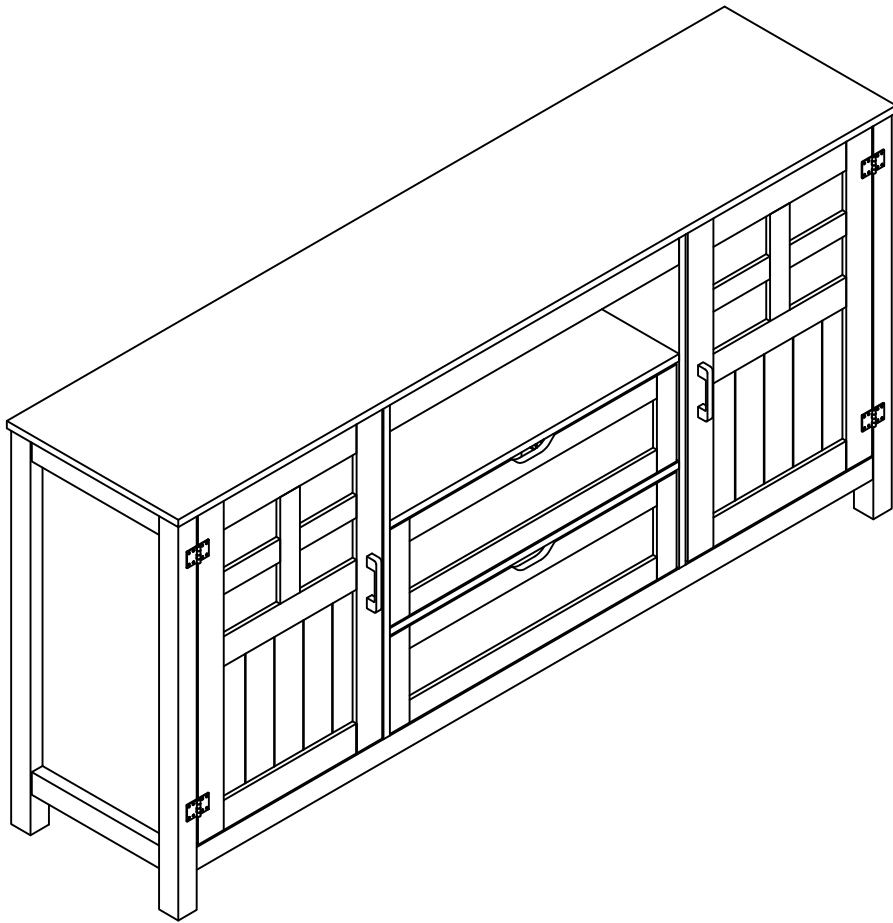



User's Manual

— TELEVISION STAND —

The picture is for reference only, and the actual product shall prevail.



 This product is delivered in two boxes. Please ensure all accessories are complete before proceeding with installation!

Contact Us

We're here to help you.



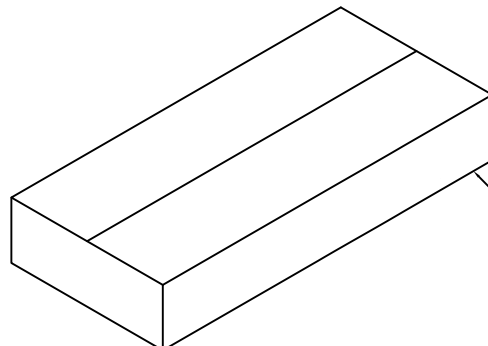
NO CLIMBING FOR CHILDREN!

Do not allow children to climb on the furniture as this may result in tipping and serious personal injury. Assemble the furniture away from the reach of children.

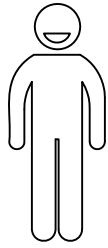
After-Sales Service

Please contact us using the After-Sales Service Card and take a photo of the Purchase Order Number printed on the carton.

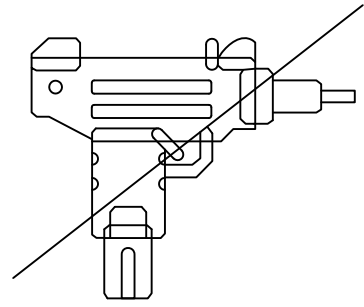
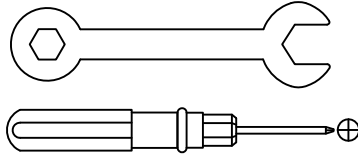
PO:XXXXX



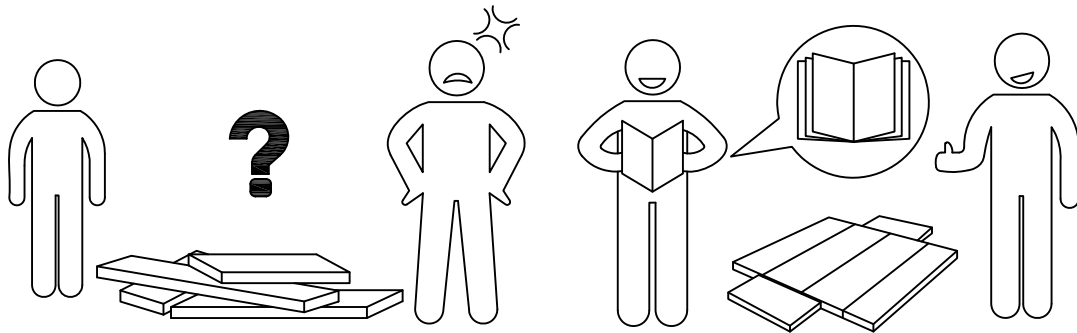
PO:XXXXX



X 2



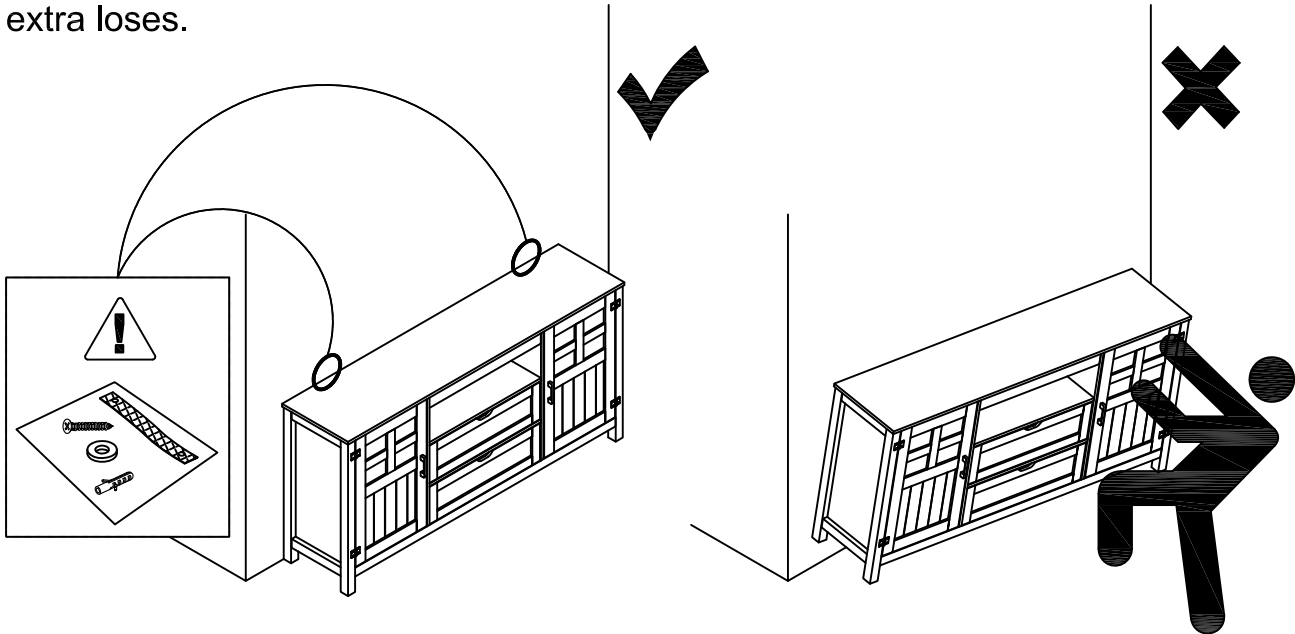
We recommend using hand tools for assembly. If an electric screwdriver is used, reduce power and torque to avoid damage to the product.



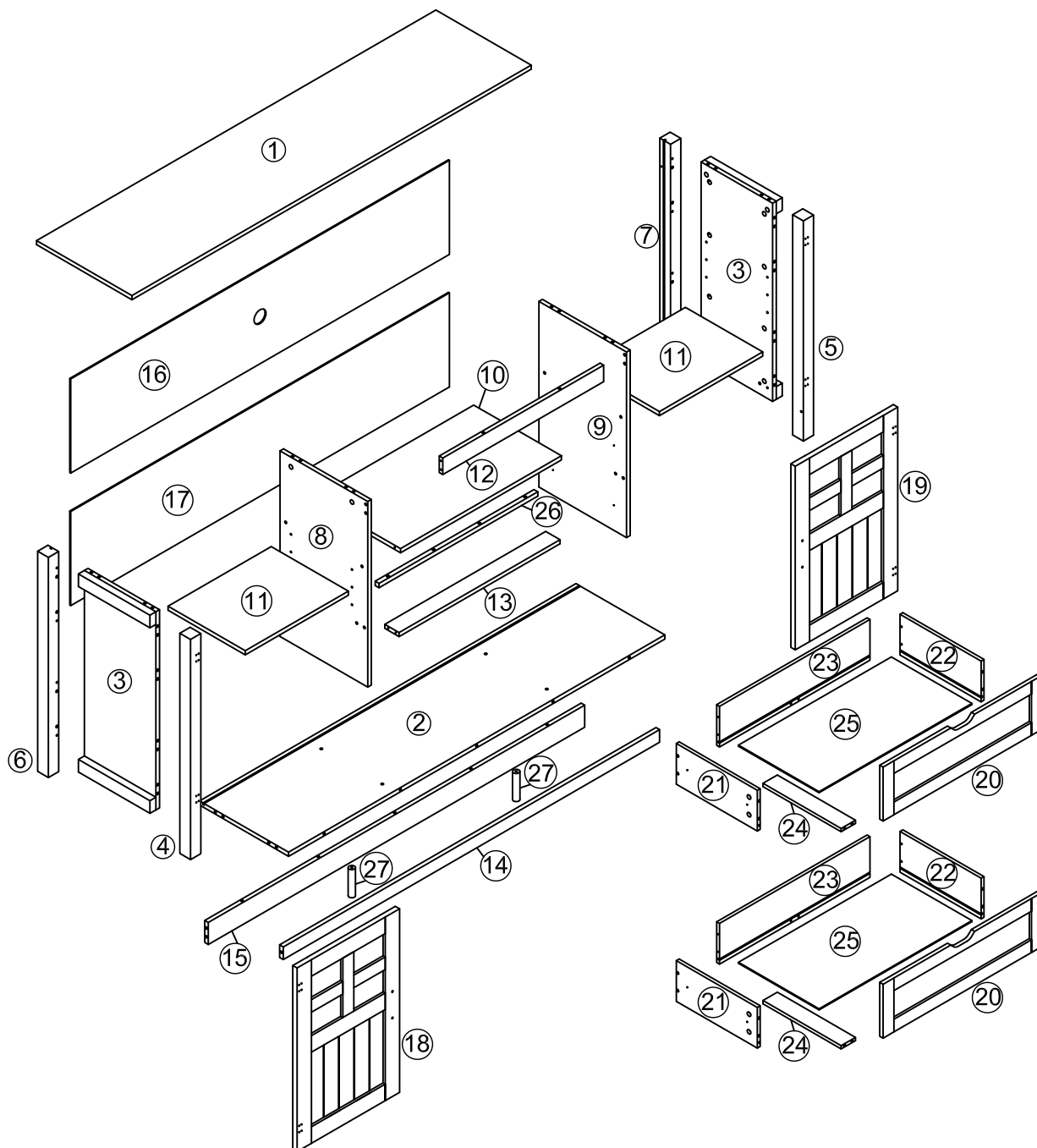
Read all instructions first. Skipping steps or incorrect assembly may cause instability, leading to tip-over hazard.

Install the Anti-Tip kit

To ensure the safety of your family, please make sure to secure the drawers according to the instructions. Before each use, please ensure the drawers are firmly installed in the correct position; otherwise, the seller is not responsible for extra losses.



Note: Using the Anti-Tip kit can reduce the risk of tipping over, but can not eliminate it.



SAFETY WARNINGS

⚠ WARNING: HEAVY PARTS!

Lift with care. Use two people to move large panels. Dropping parts may cause injury or damage floors.

⚠ WARNING: PROTECT SURFACES!

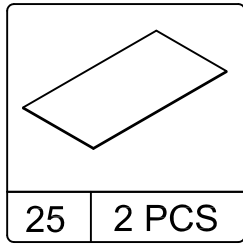
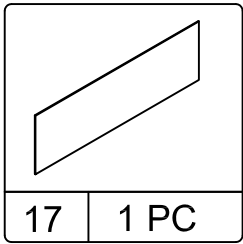
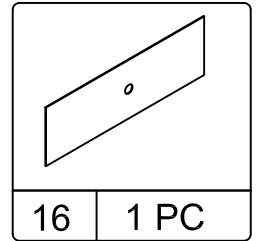
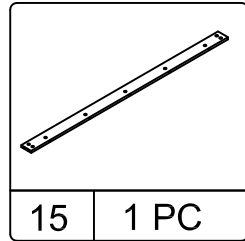
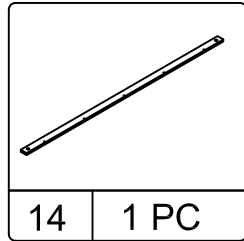
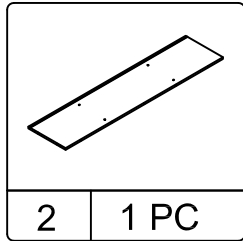
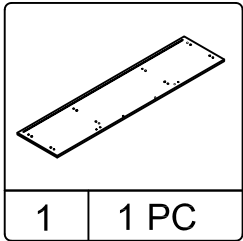
Assemble on soft, flat flooring (e.g., carpet/blanket). Avoid dragging panels to prevent scratches.

⚠ WARNING: ROUTINE CHECK!

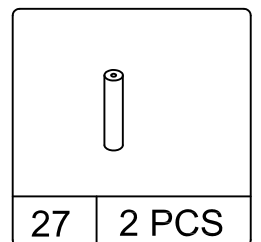
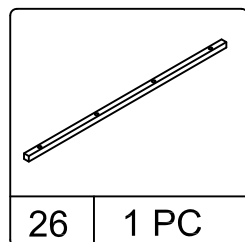
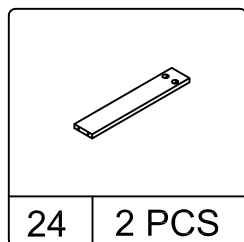
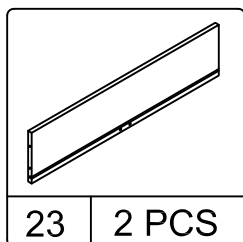
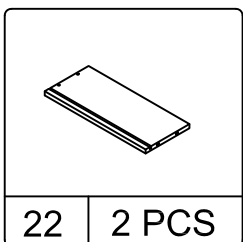
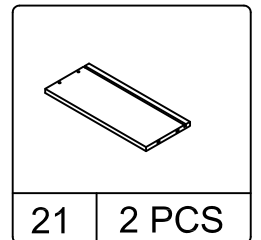
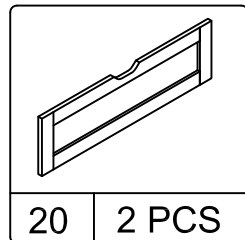
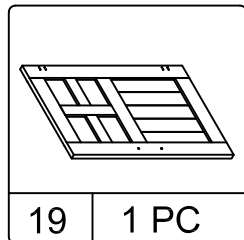
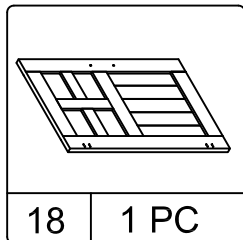
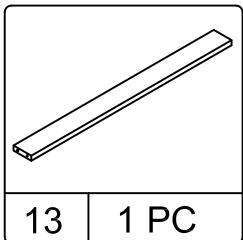
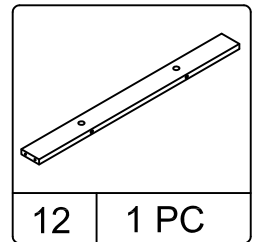
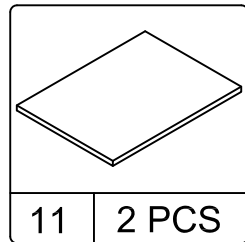
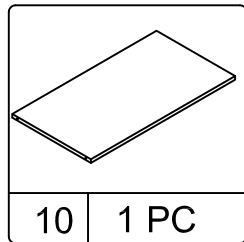
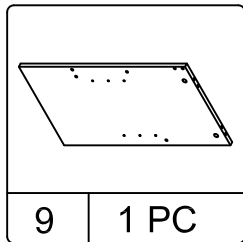
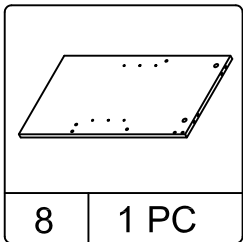
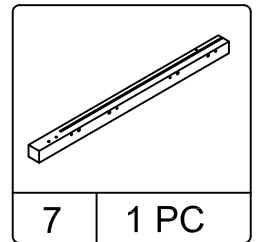
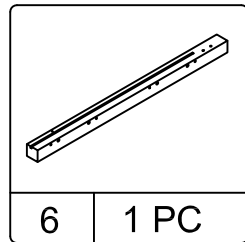
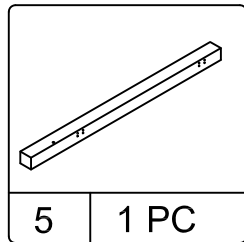
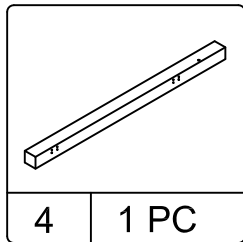
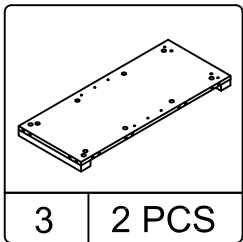
Regularly check all fittings and fastenings to ensure they are secure and to prevent accidents.

Parts list

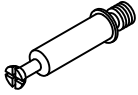
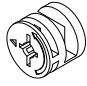
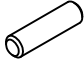

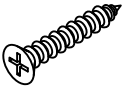
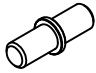
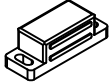
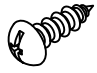


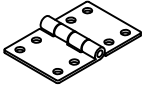
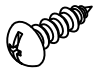
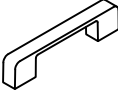
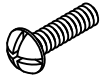
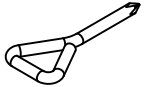
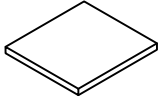
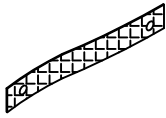
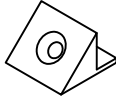

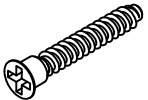
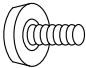
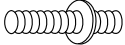
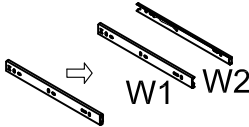
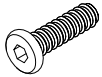
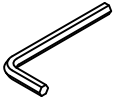
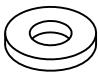
The following access ories are in BOX NO.1/2



The following access ories are in BOX NO.2/2

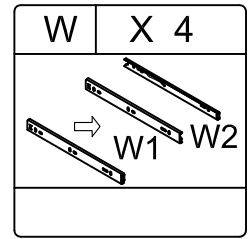
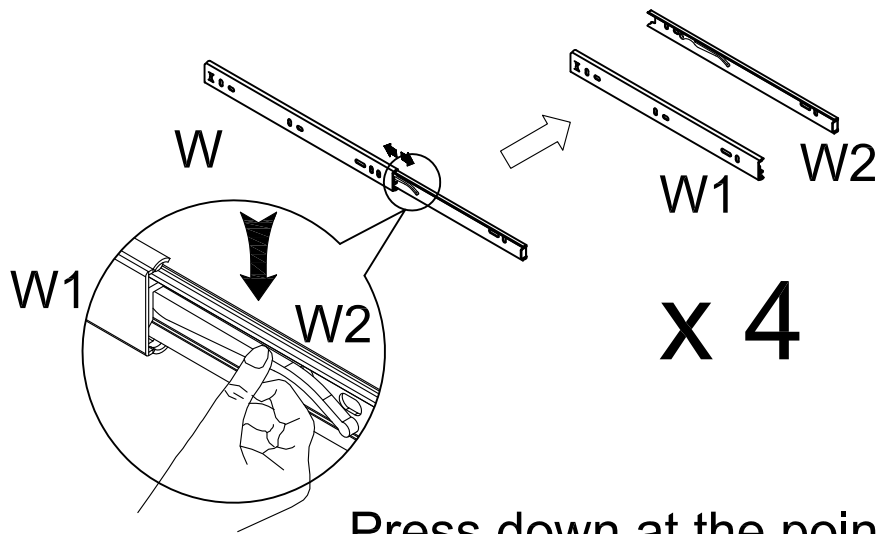


Hardware are in BOX NO.2/2

A	X 58	B	X 58	C	X 28	D	X 2	E	X 14
									
Ø6x45mm		Ø15x9.5mm		Ø8x30mm				Ø4x35mm	
F	X 8	G	X 2	H	X 6	I	X 2	J	X 20
									
				Ø3.5x16mm				Ø3x12mm	
K	X 4	L	X 32	M	X 2	N	X 4	O	X 1
									
		Ø3.5x14mm				M4x22mm			
P	X 4	Q	X 2	R	X 12	S	X 12	T	X 16
									
30x30x5mm						Ø3.5x16mm		M5x40mm	
U	X 2	V	X 2	W	X 4	X	X 4	Y	X 1
									
		M6x35mm				M6x25mm		M4mm	
Z	X 4								
									
M6-Ø13mm									

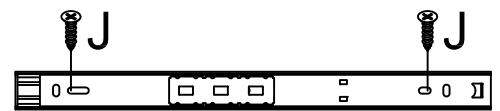
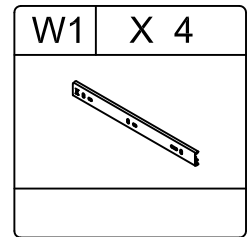
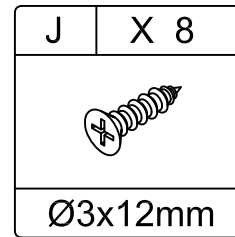
Using your own screwdriver will make assembly easier.

STEP 1

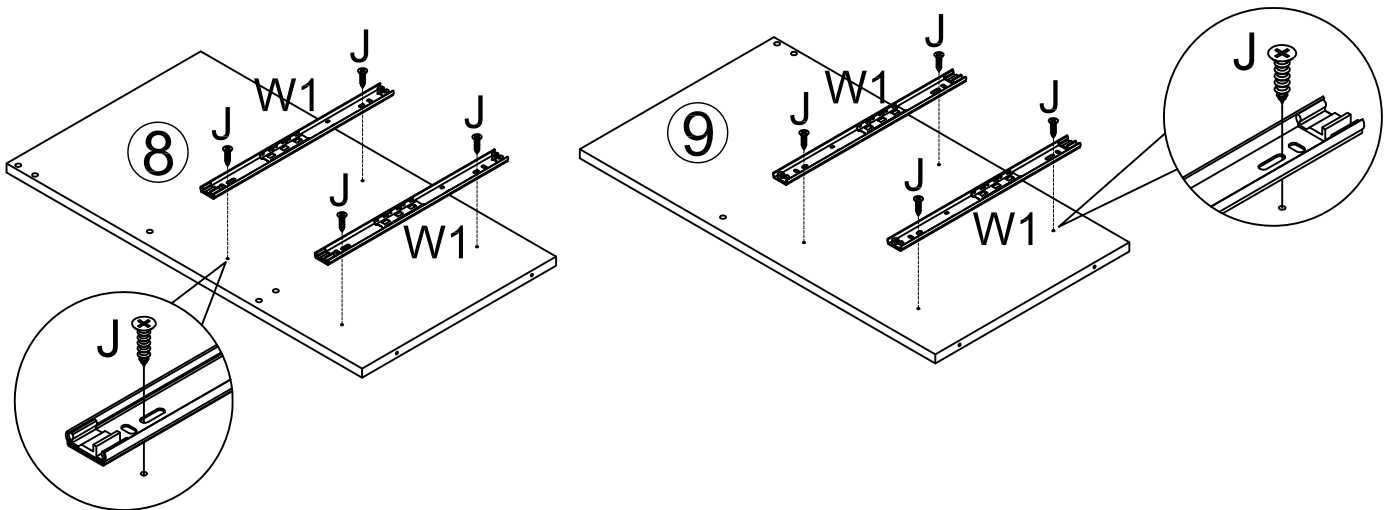


Press down at the point shown in the diagram to separate W into W1 and W2.

STEP 2

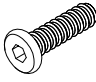


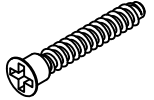
W1

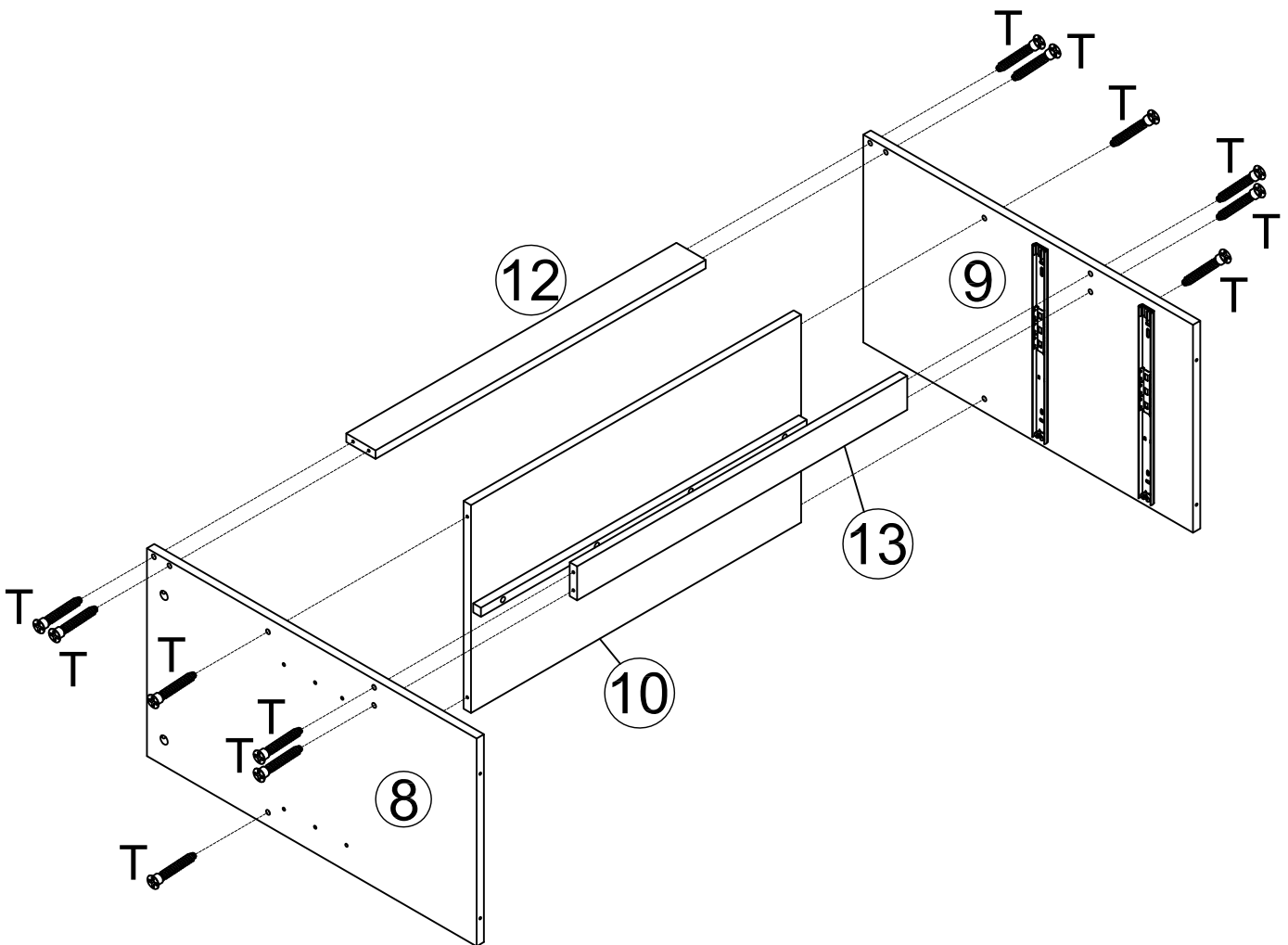
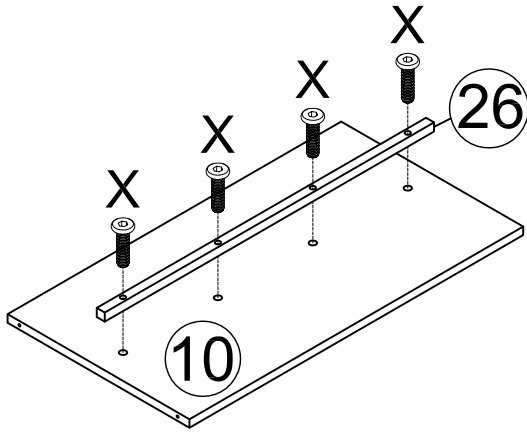


Please note the installation hole positions.
The correct hole positions are with the left and right side holes positioned towards the inside.

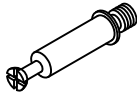
STEP 3

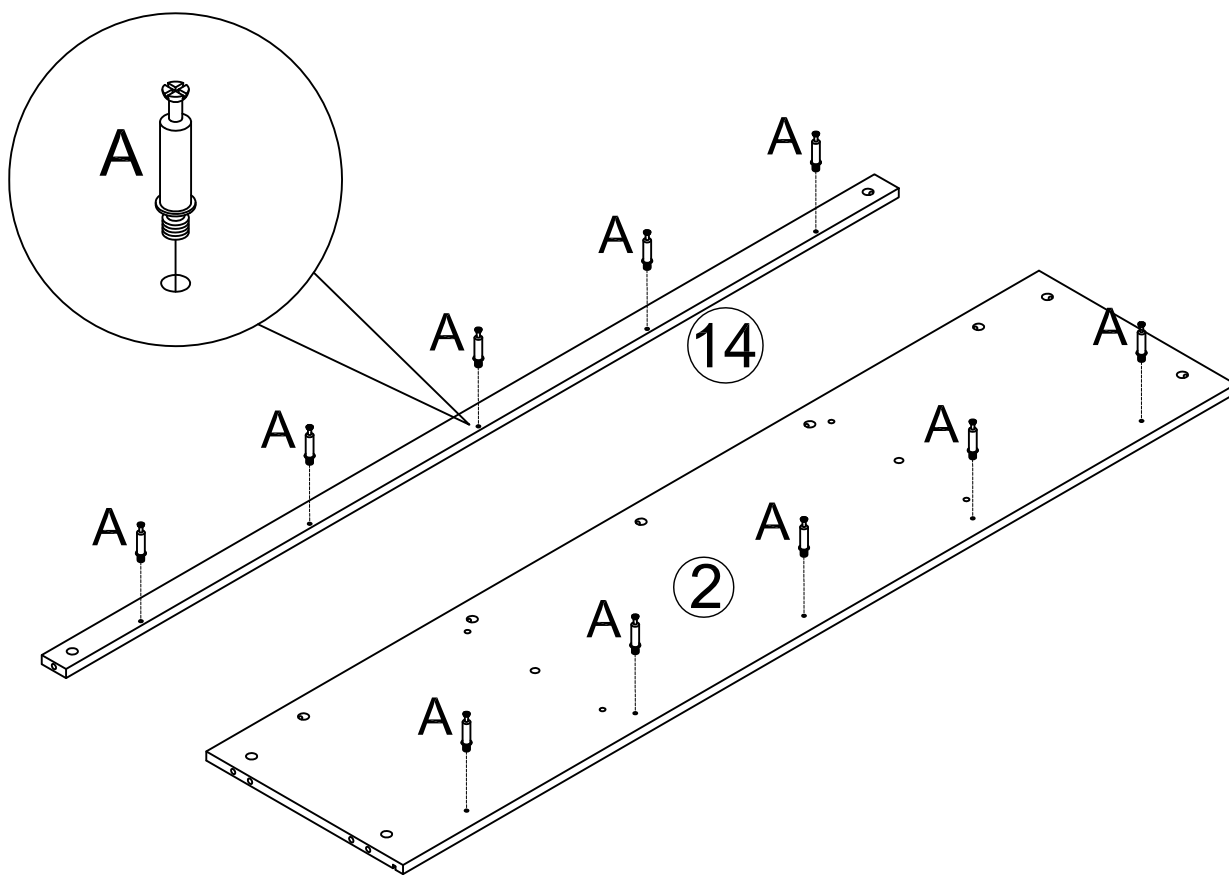
X	X 4
	
M6x25mm	

T	X 12
	
M5x40mm	

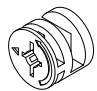


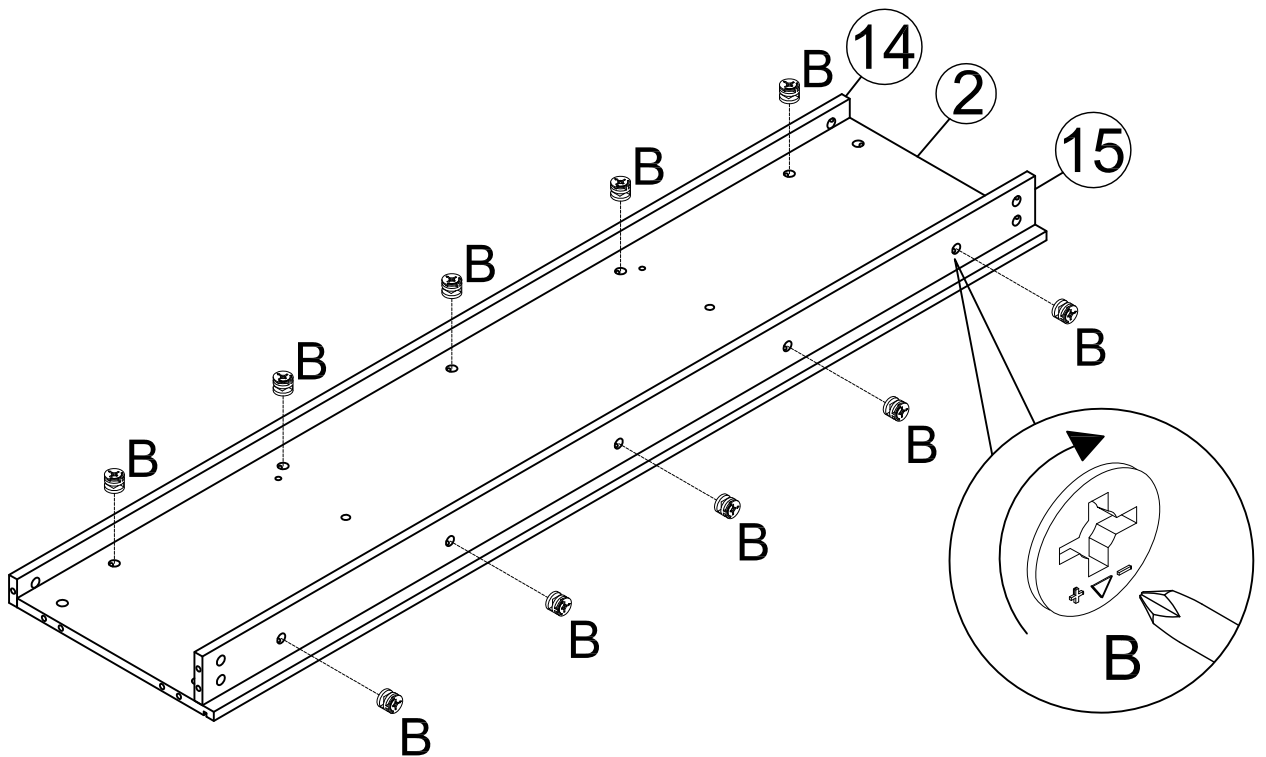
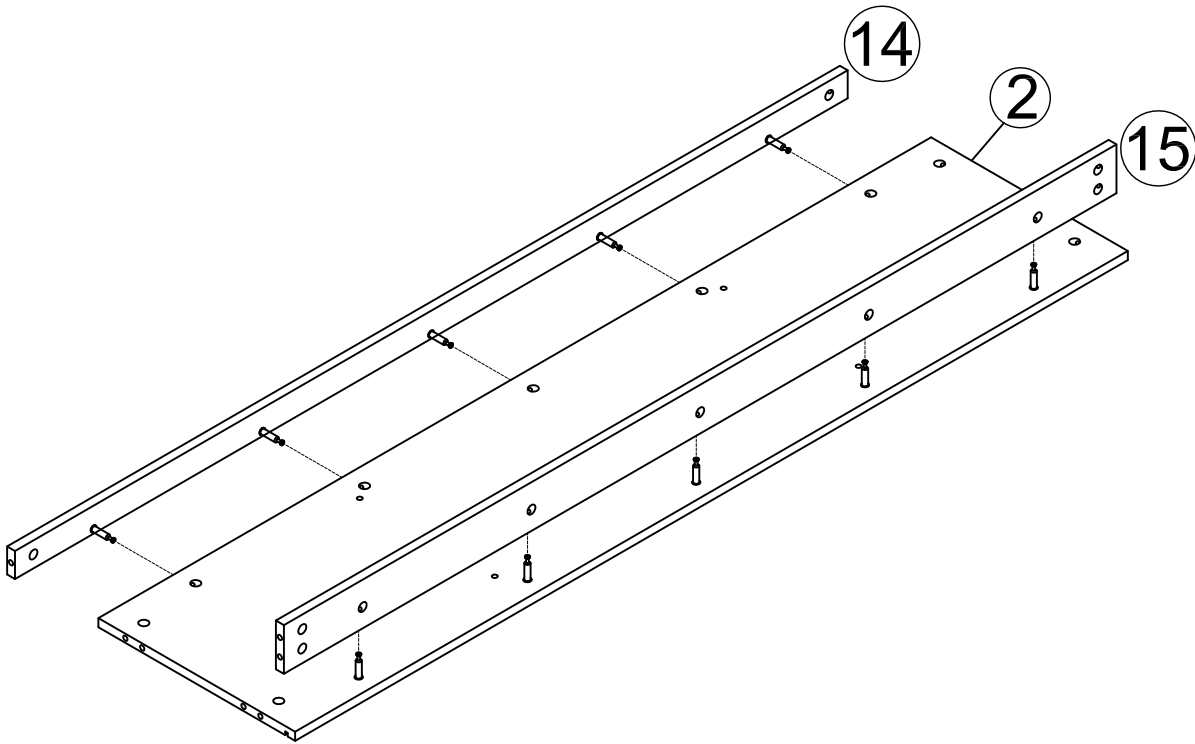
STEP 4

A	X 10
	
Ø6x45mm	

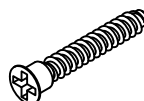


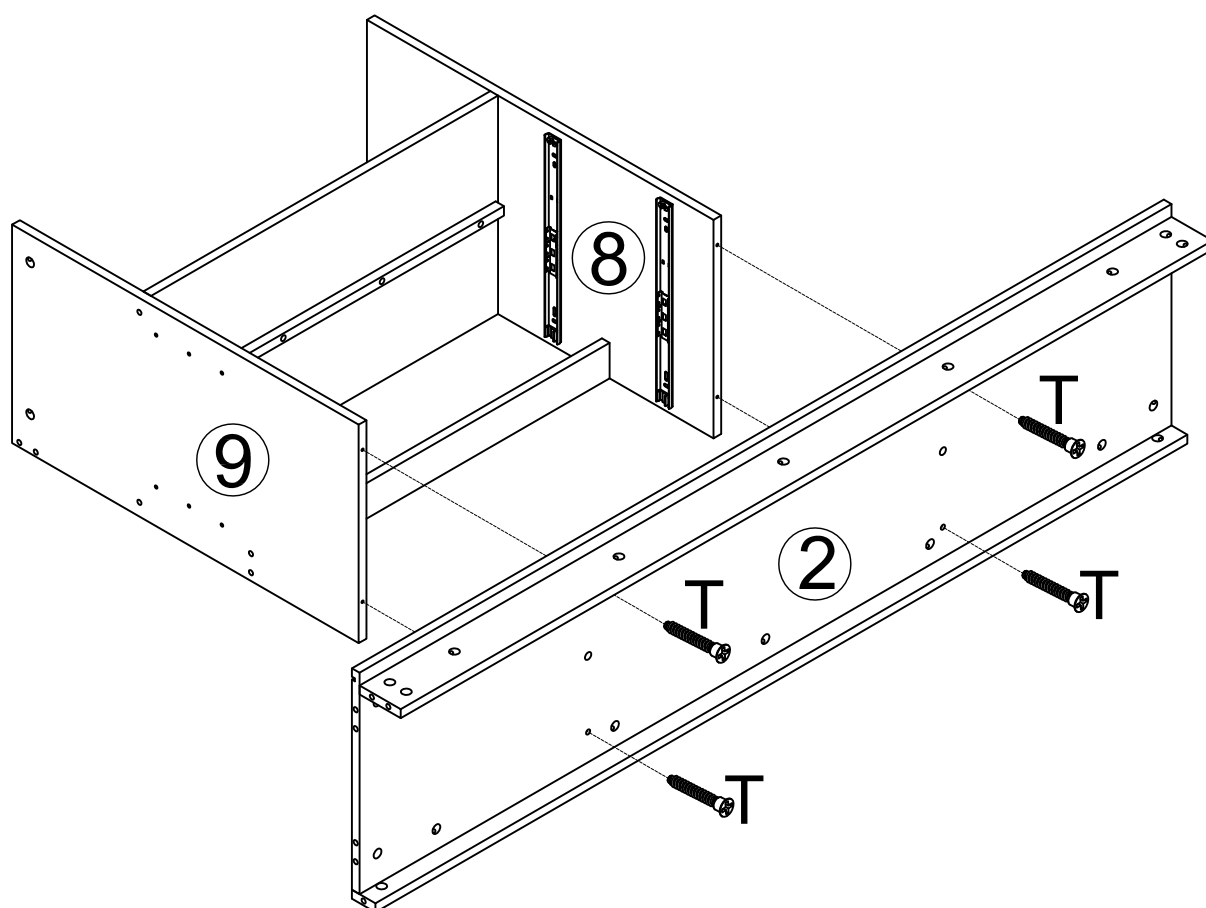
STEP 5

B	X 10
	
Ø15x9.5mm	

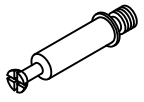


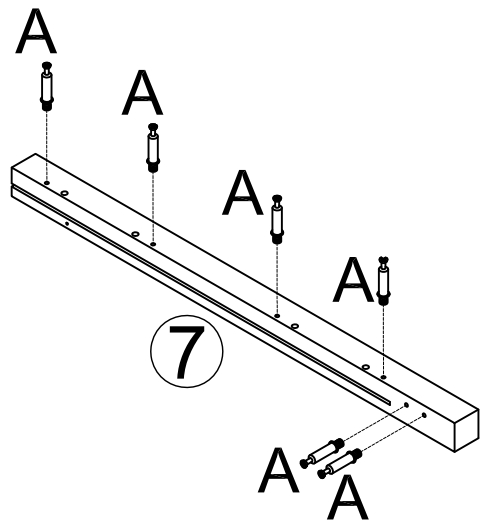
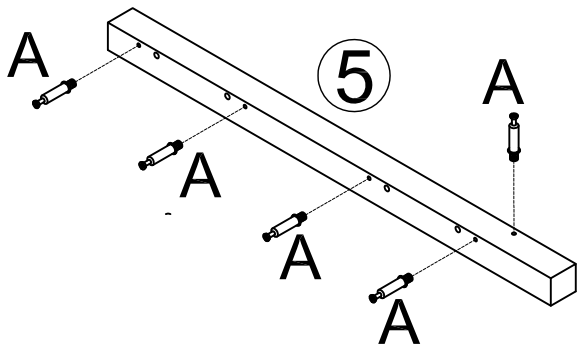
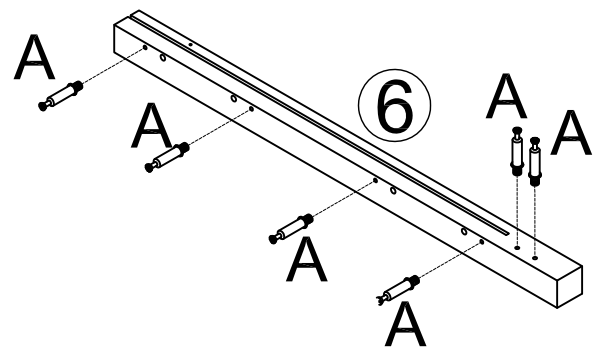
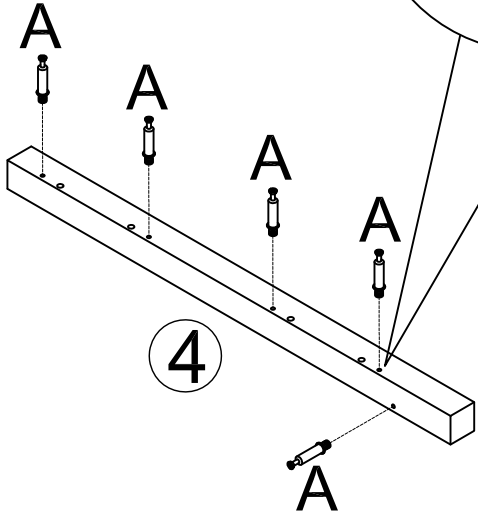
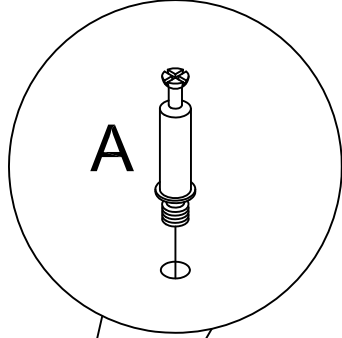
STEP 6

T	X 4
	
M5x40mm	

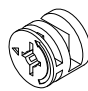


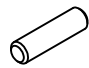
STEP 7

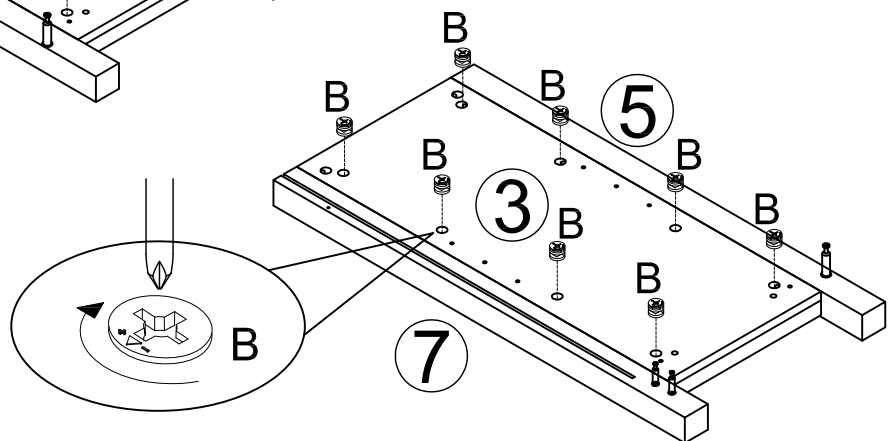
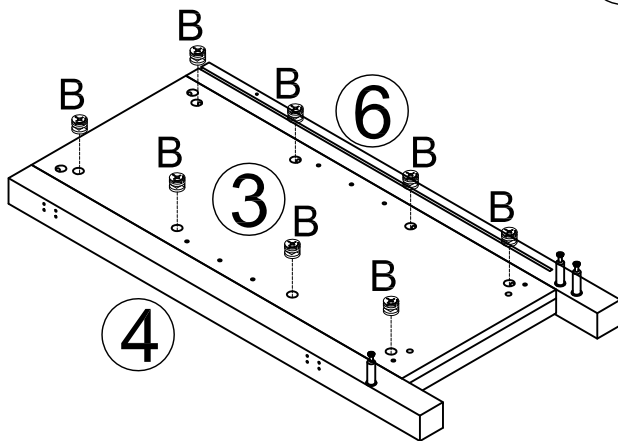
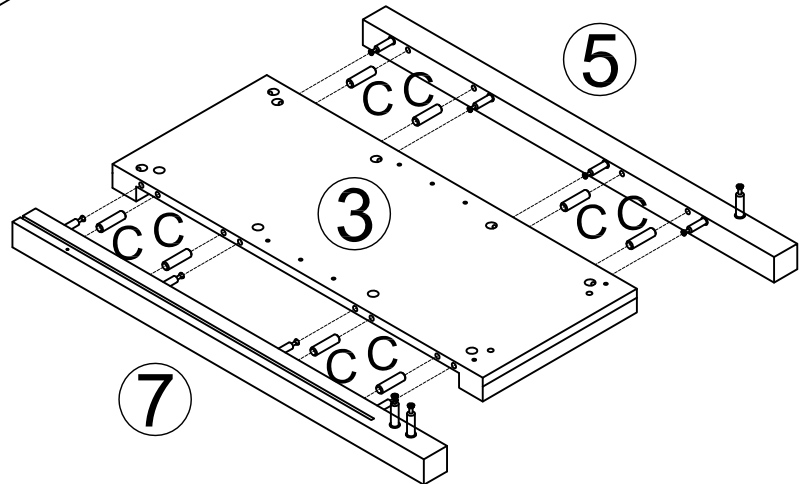
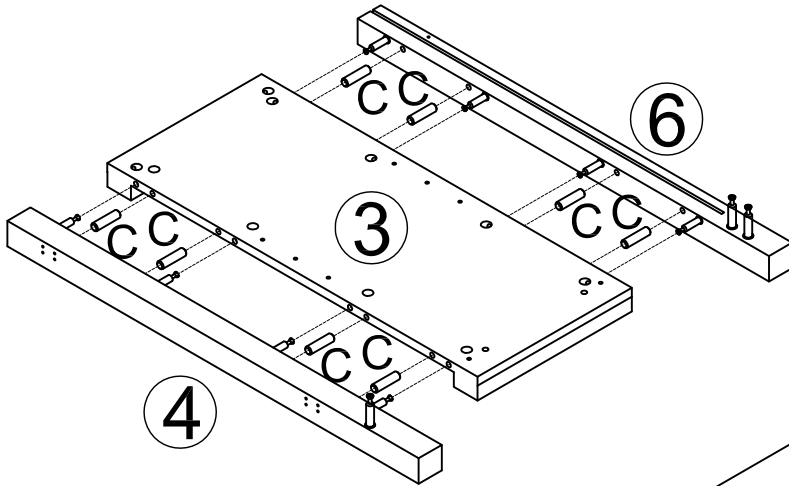
A	X 22
	
Ø6x45mm	



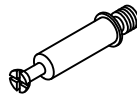
STEP 8

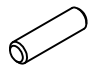
B	X 16
	
Ø15x9.5mm	

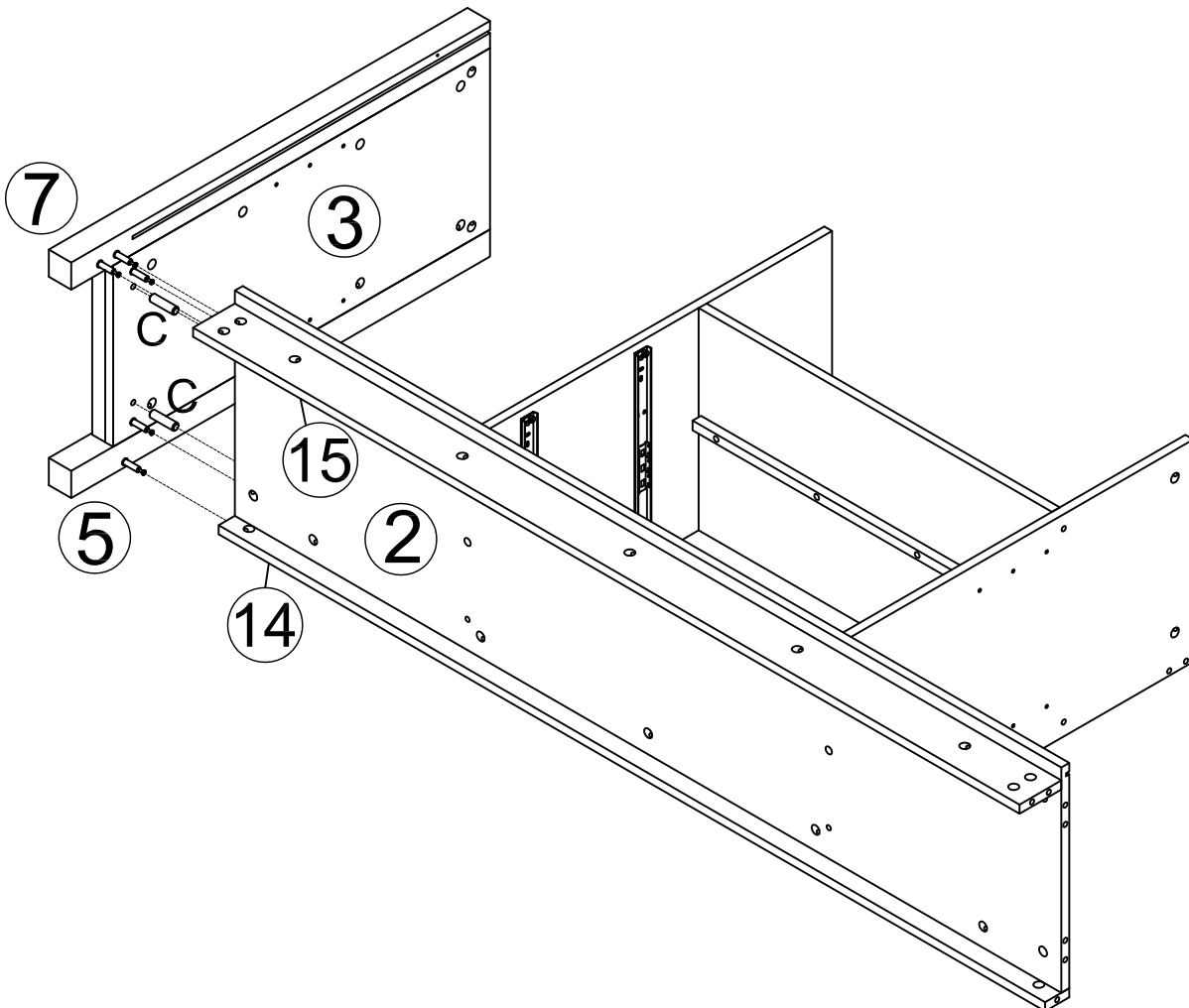
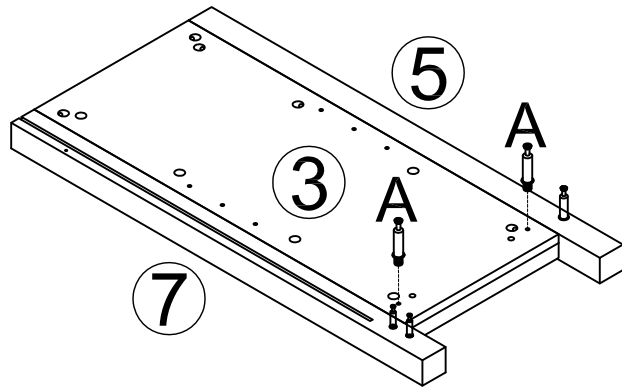
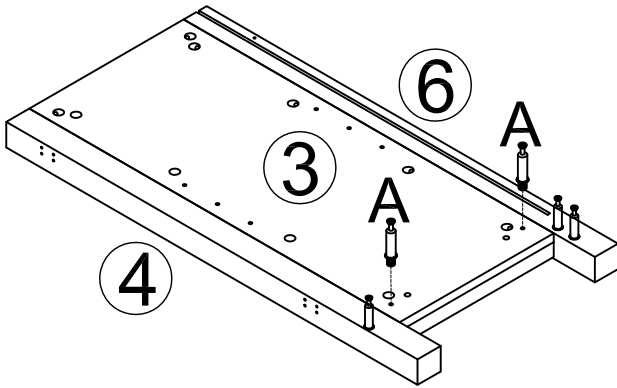
C	X 16
	
Ø8x30mm	



STEP 9

A	X 4
	
Ø6x45mm	

C	X 2
	
Ø8x30mm	

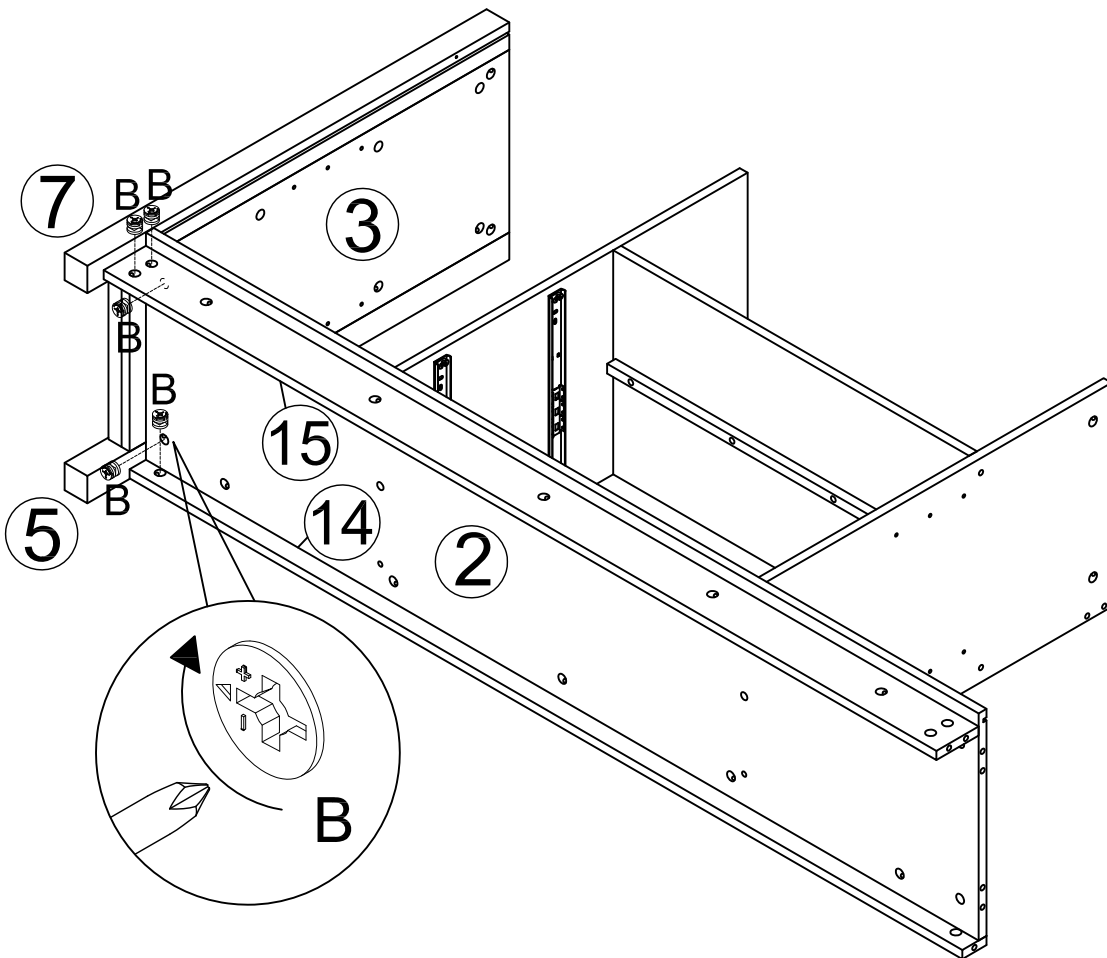


STEP 10


B X 5

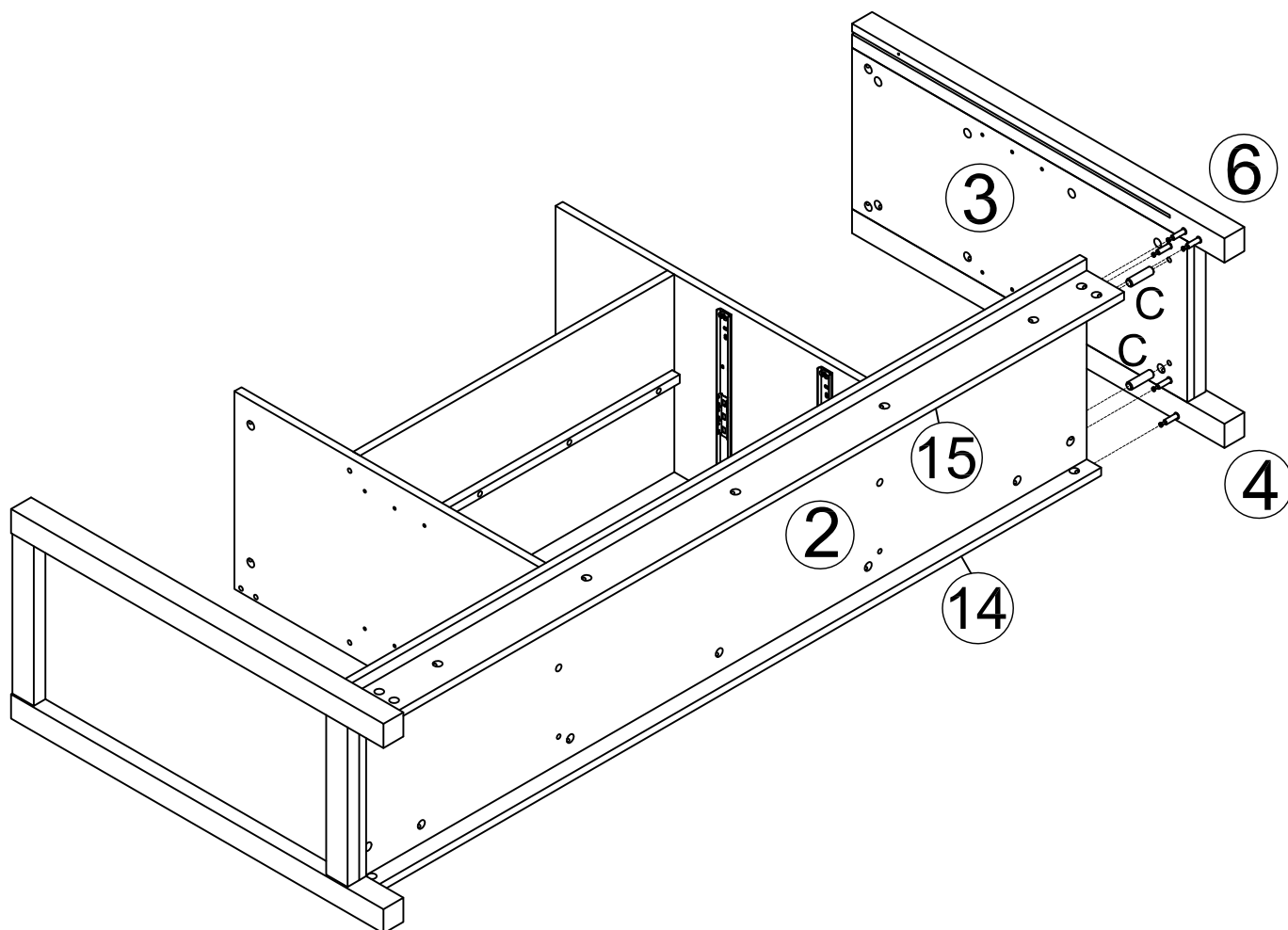


Ø15x9.5mm




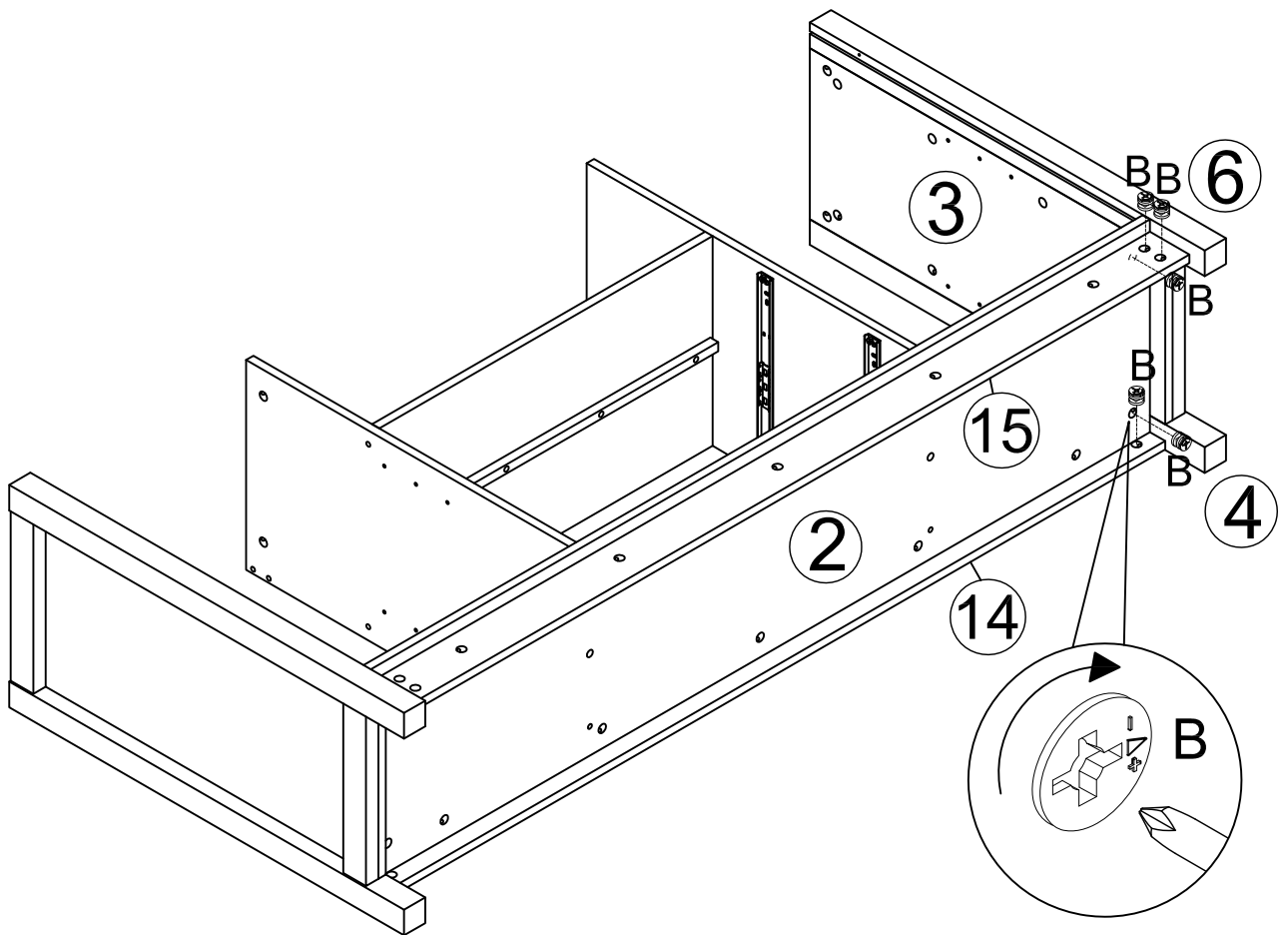
STEP 11

C	X 2
	
Ø8x30mm	

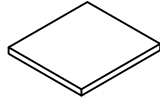


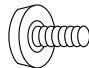
STEP 12

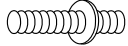
B	X 5
	
Ø15x9.5mm	

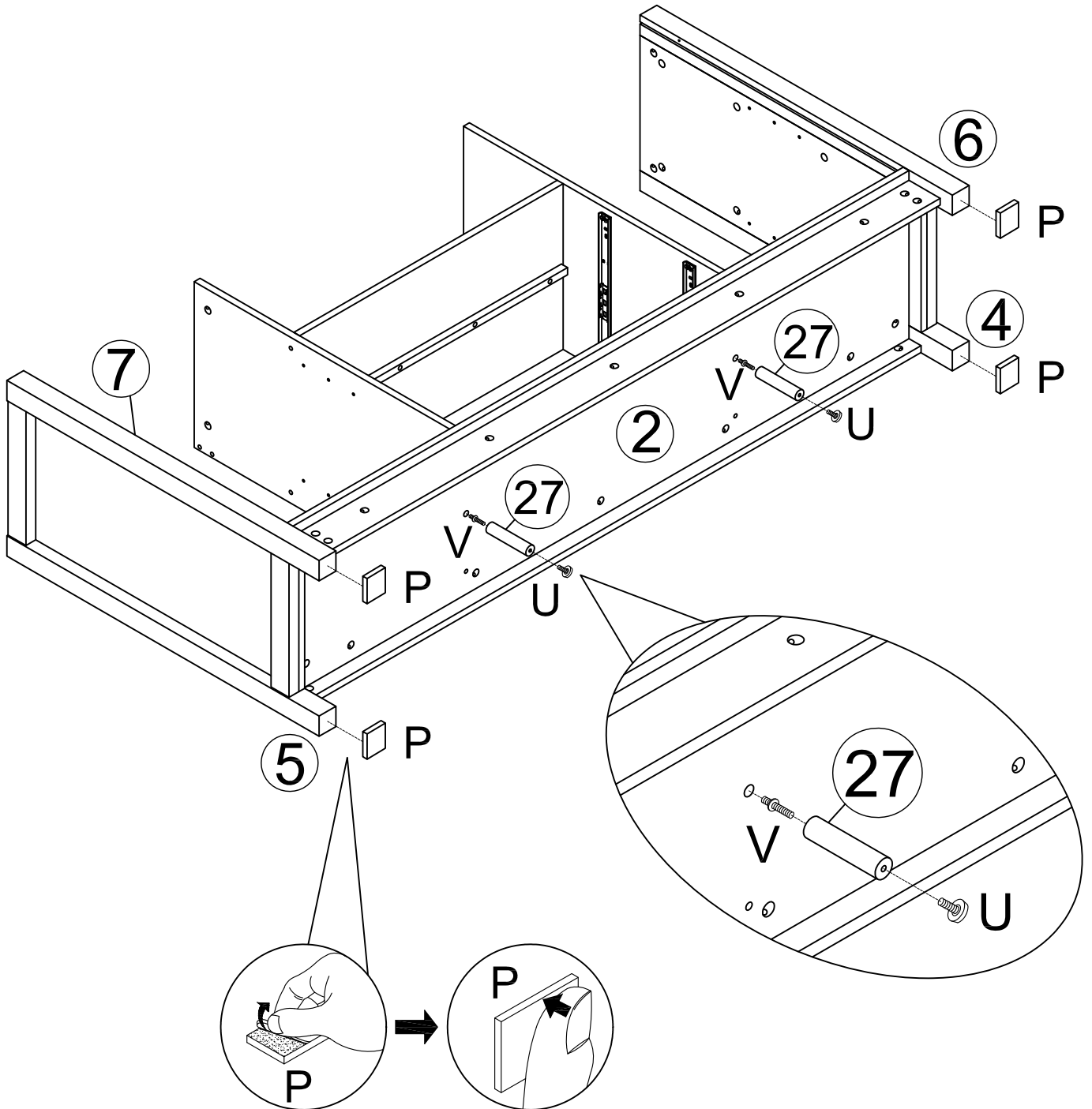


STEP 13

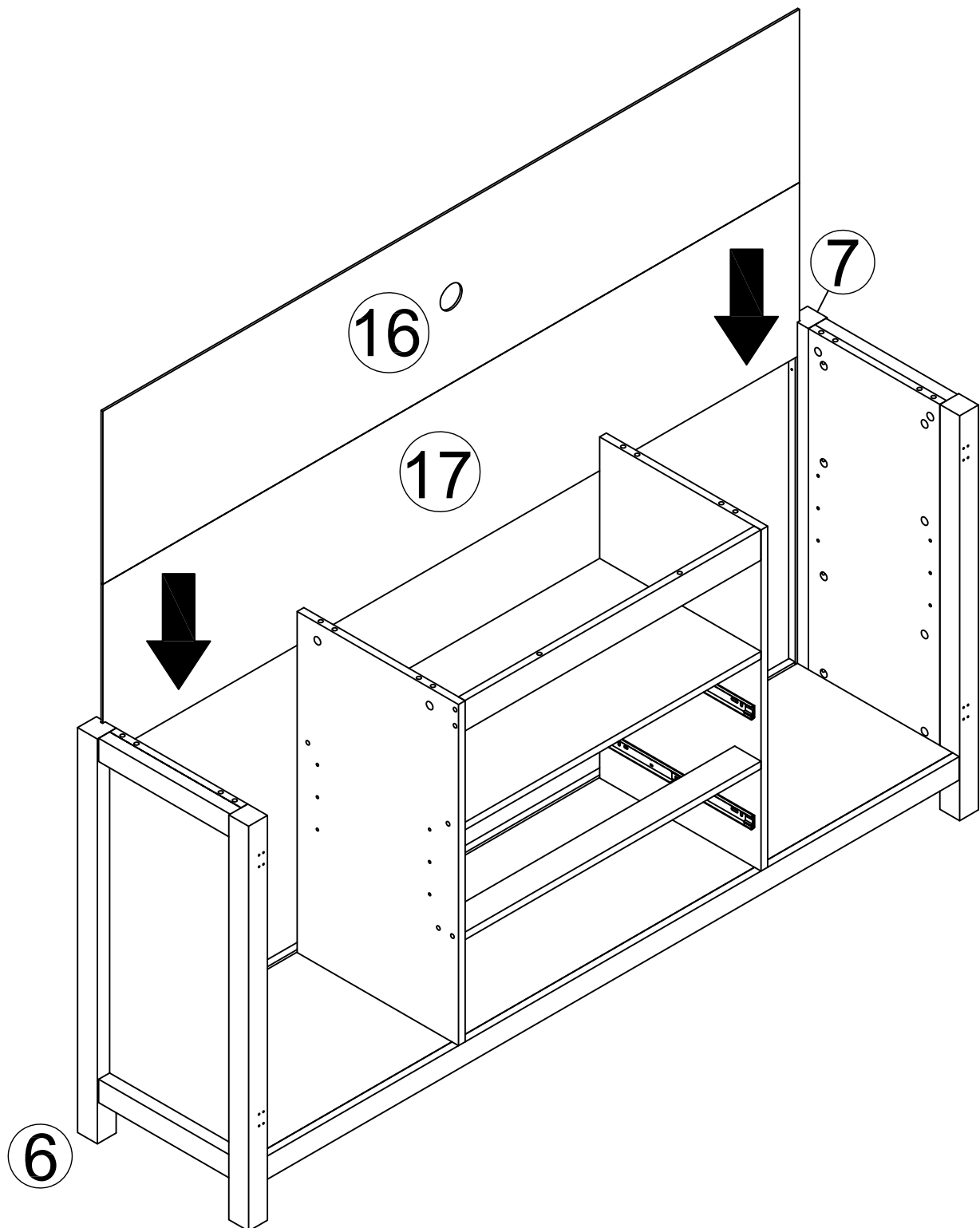
P	X 4
	
30x30x5mm	

U	X 2
	

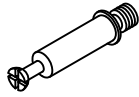
V	X 2
	
M6x35mm	

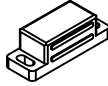



STEP 14

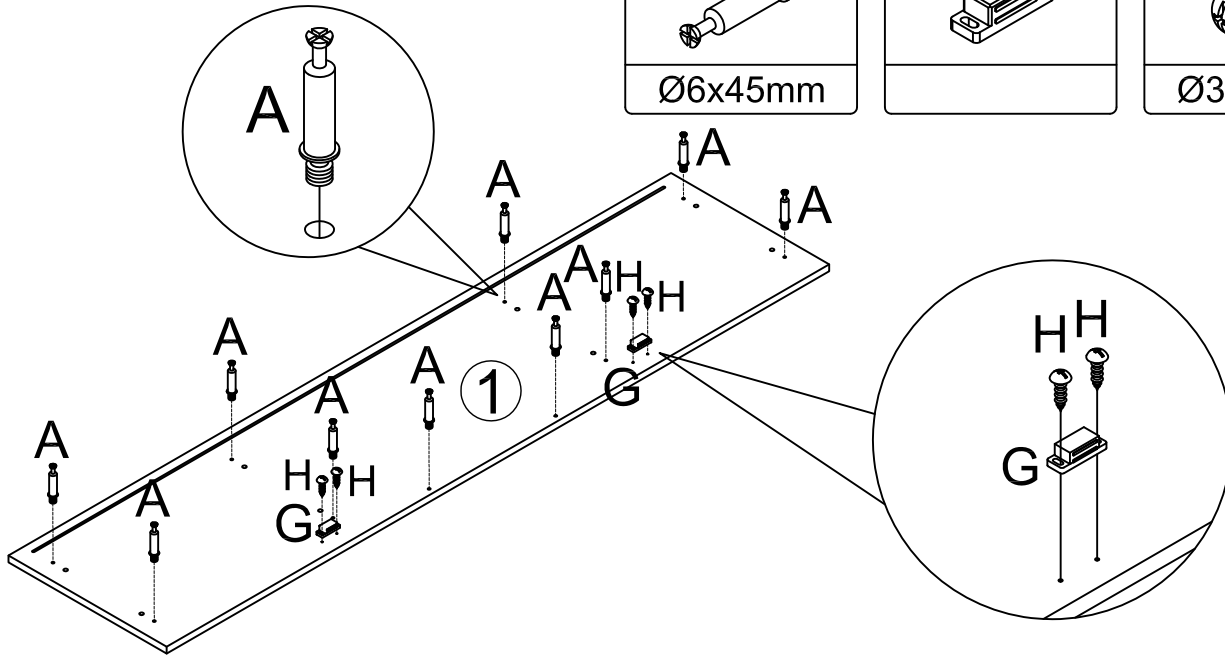


STEP 15

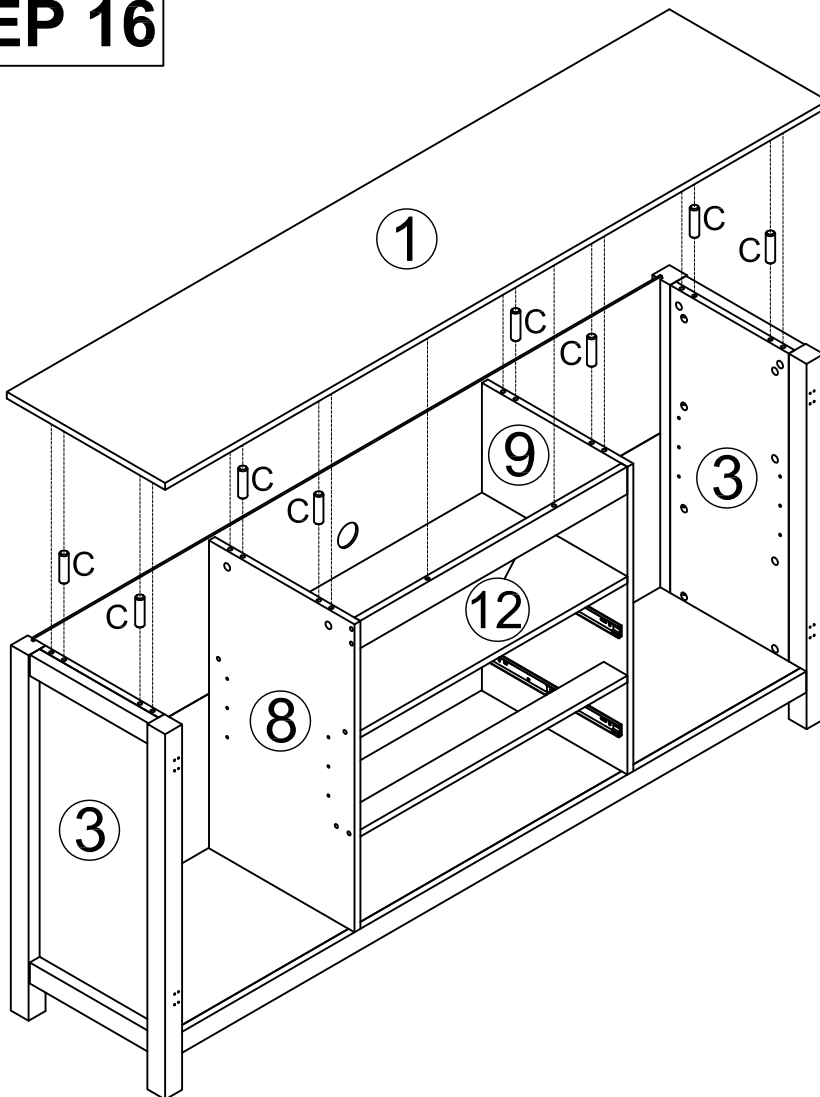
A	X 10
	
$\text{Ø}6 \times 45 \text{mm}$	

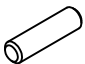
G	X 2
	

H	X 4
	
$\text{Ø}3.5 \times 16 \text{mm}$	




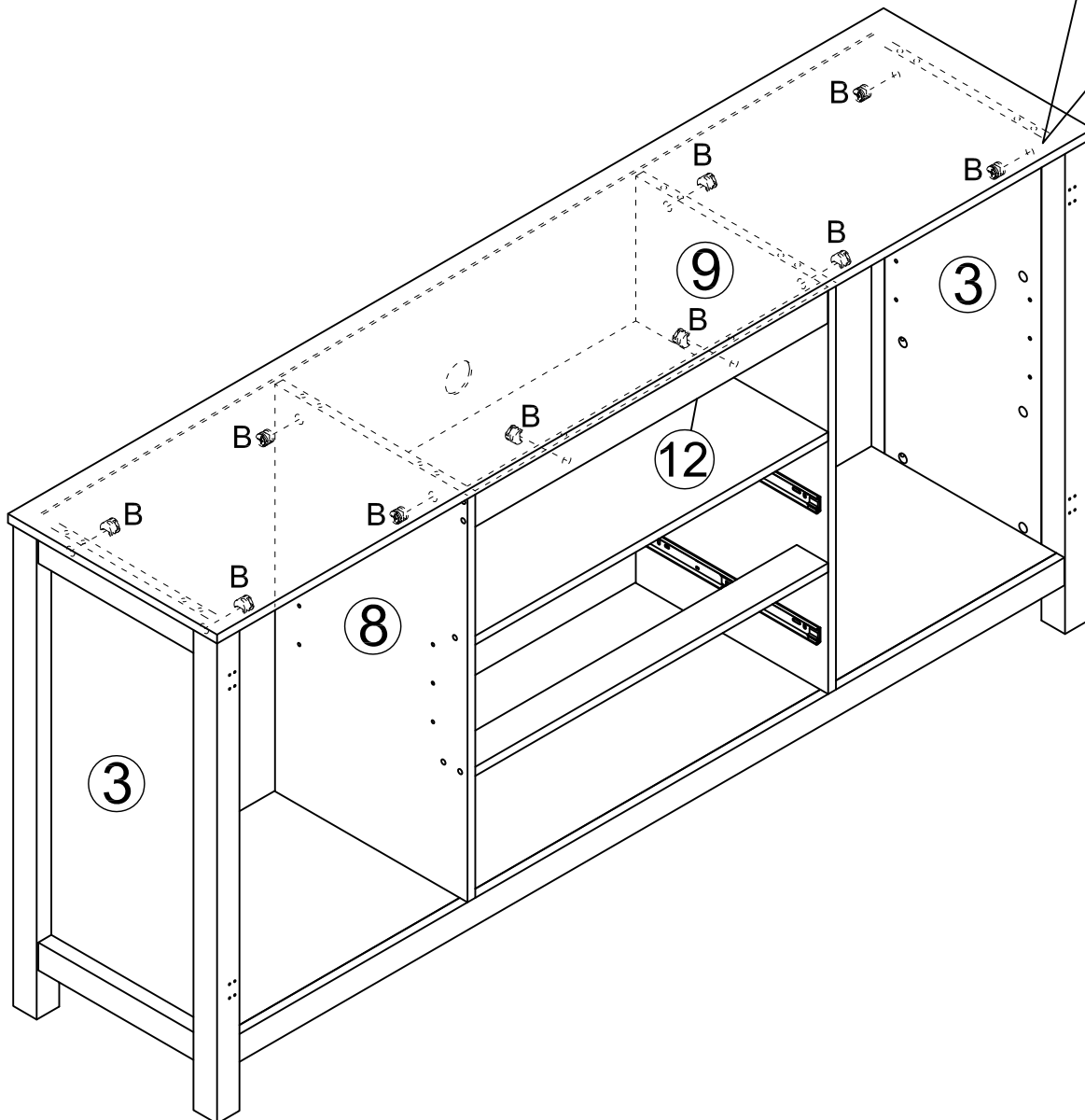
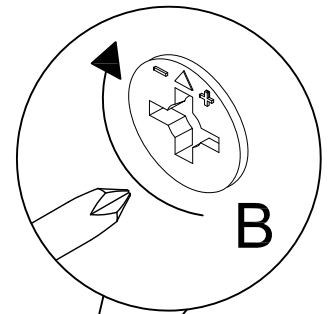
STEP 16



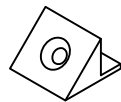
C	X 8
	
$\text{Ø}8 \times 30 \text{mm}$	


STEP 17

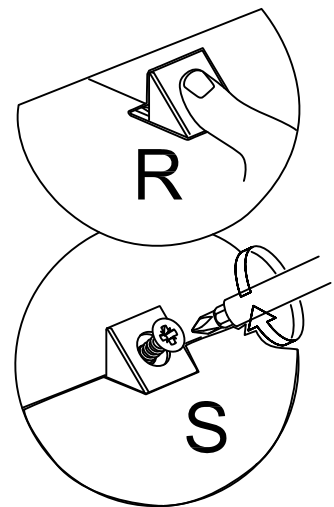
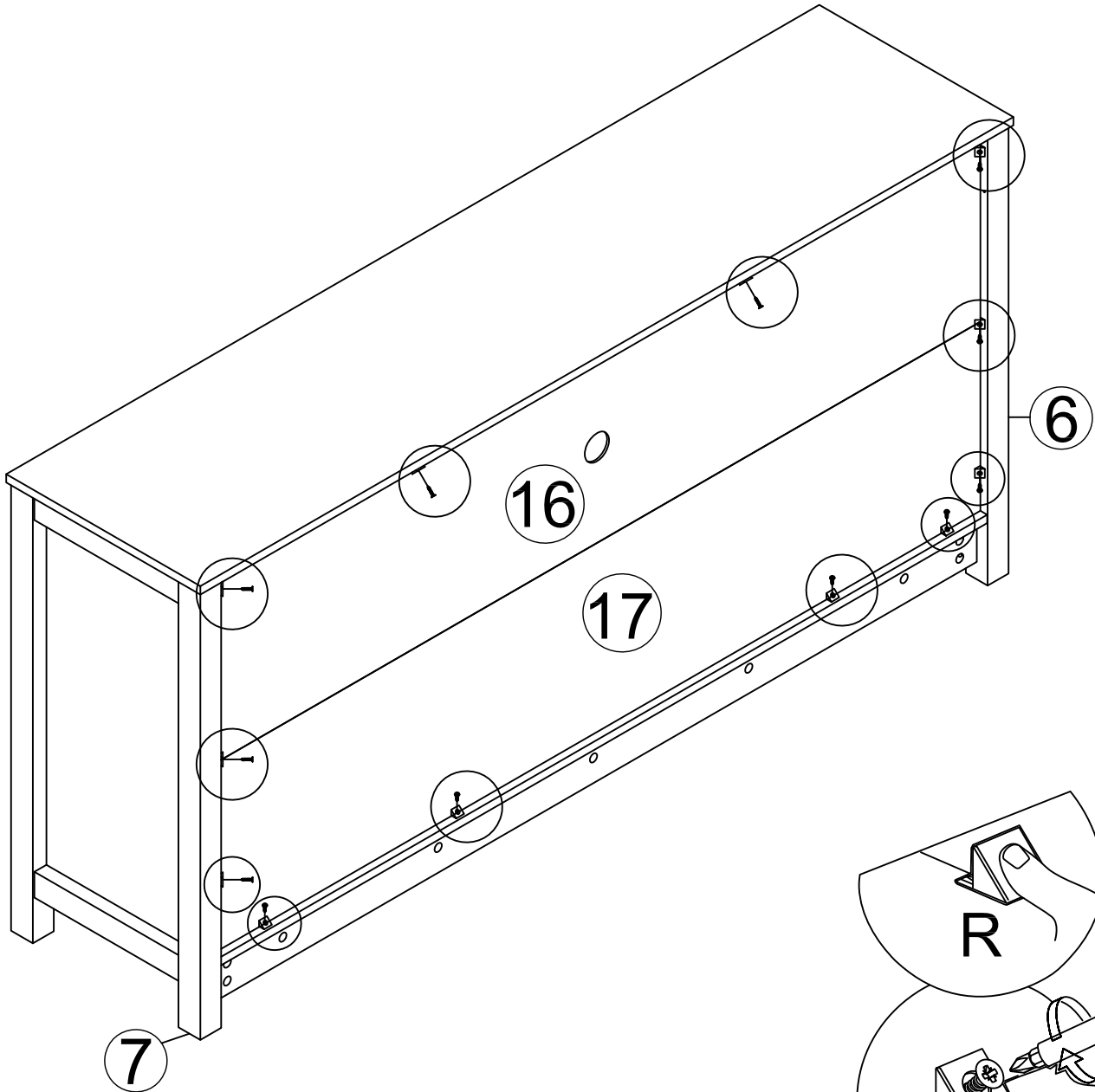
B	X 10
	
Ø15x9.5mm	



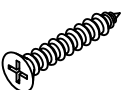
STEP 18

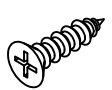
R	X 12
	


S	X 12
	
Ø3.5x16mm	

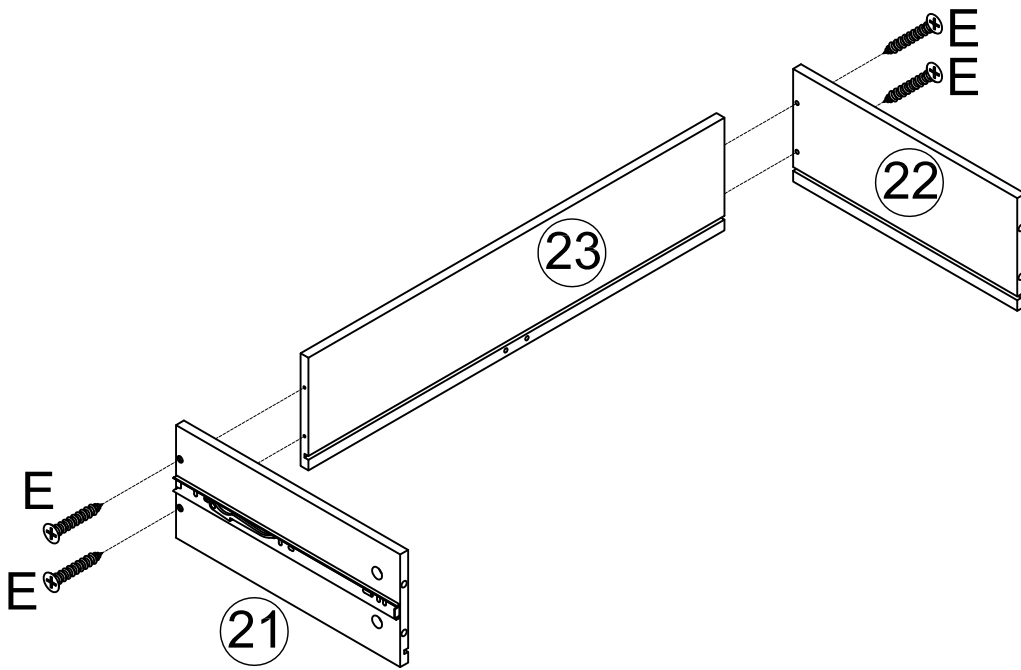
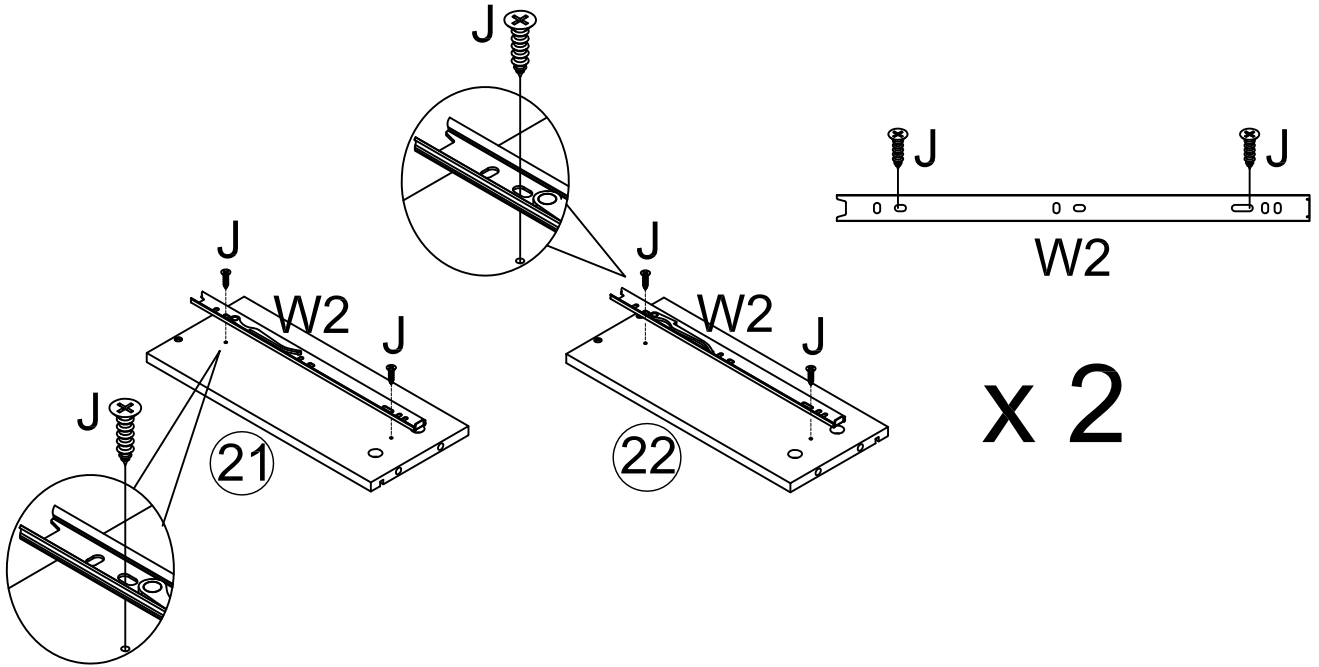


STEP 19

E	X 8
	
Ø4x35mm	

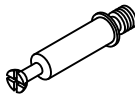
J	X 8
	
Ø3x12mm	

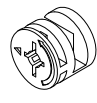
W2	X 4
	

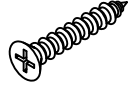


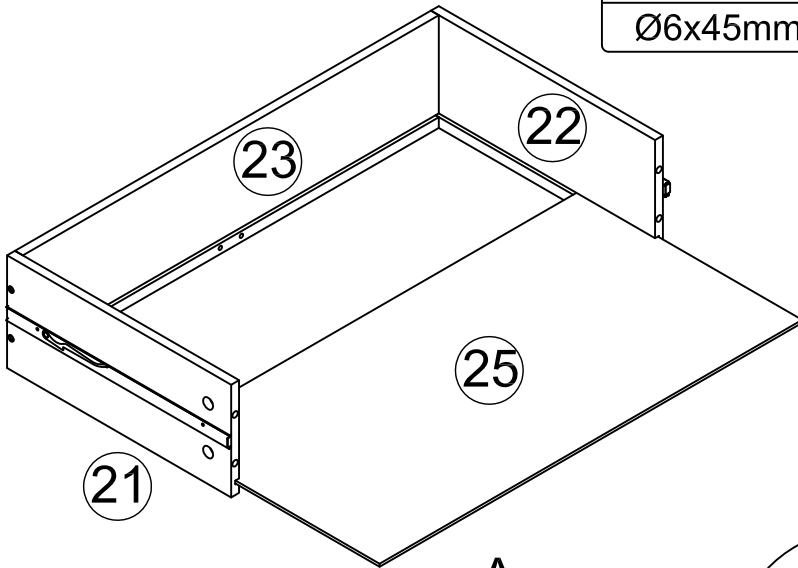
x 2

STEP 20

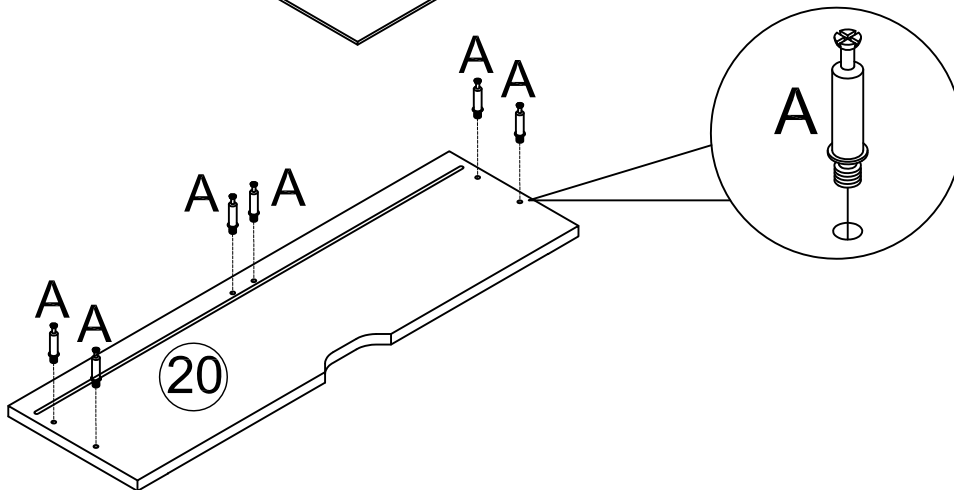
A	X 12
	
Ø6x45mm	

B	X 12
	
Ø15x9.5mm	

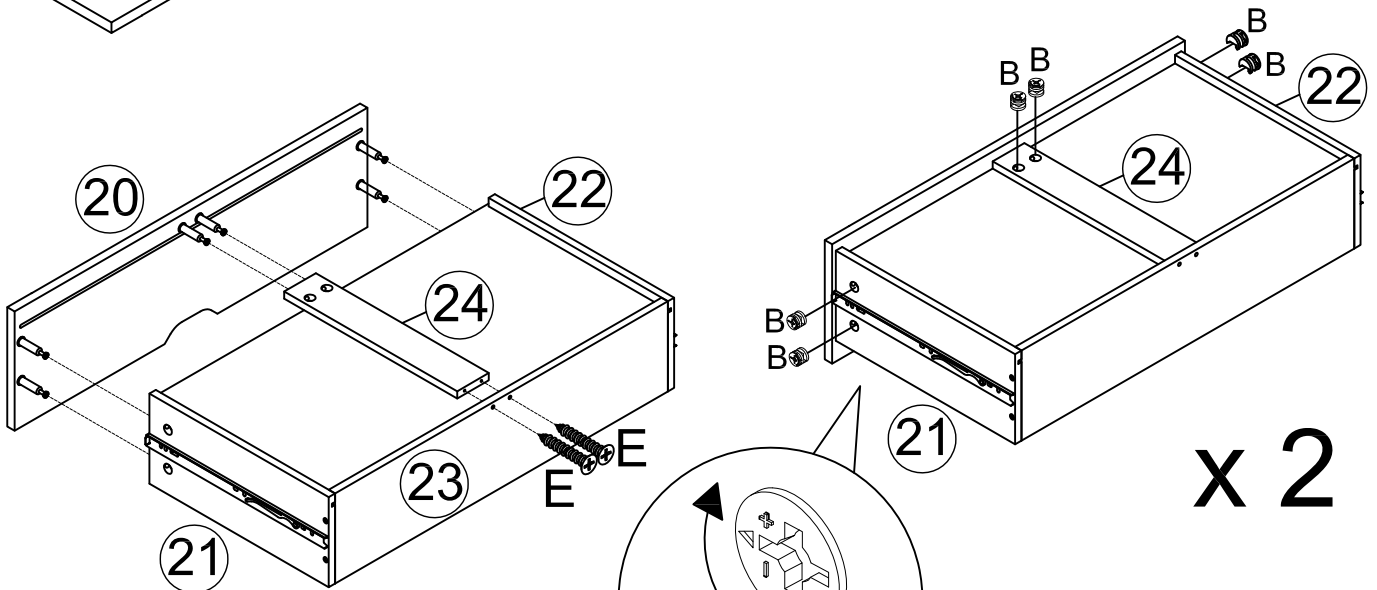
E	X 4
	
Ø4x35mm	



x 2



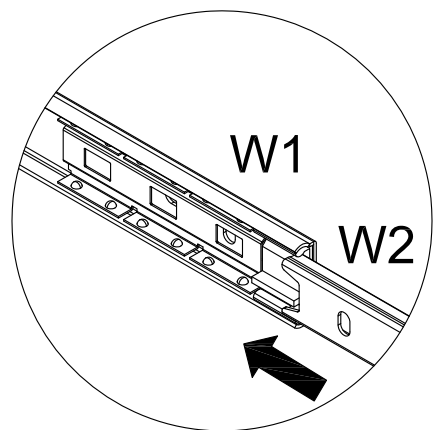
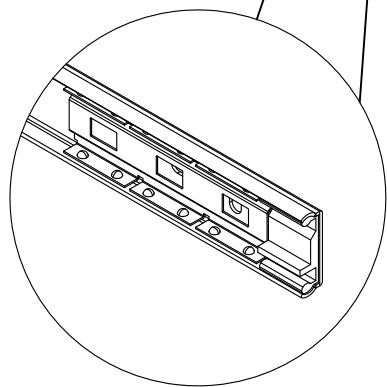
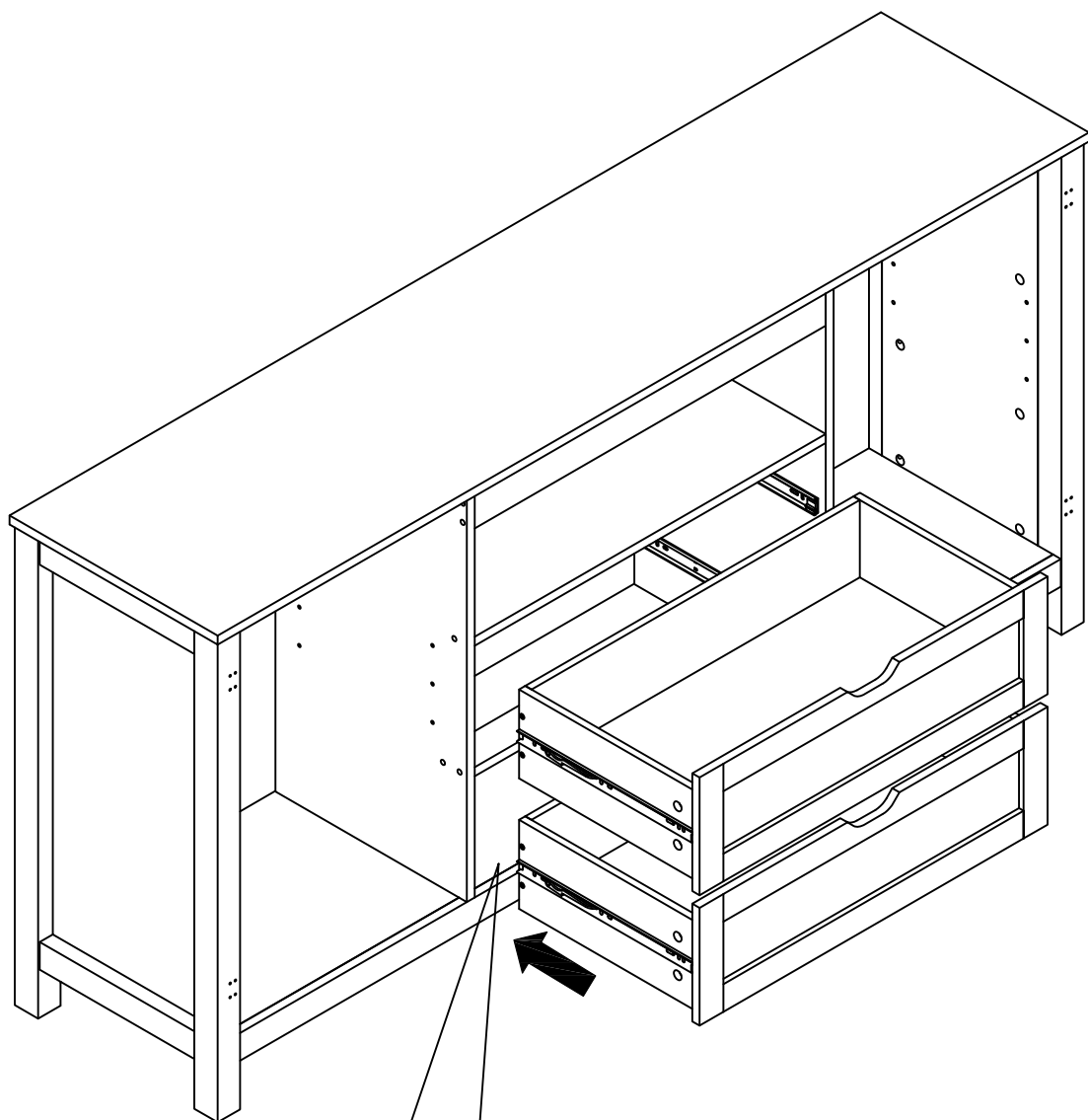
x 2




x 2

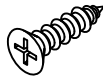
x 2

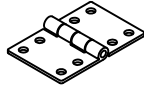
STEP 21




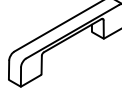
STEP 22

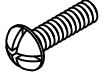
I	X 2
	

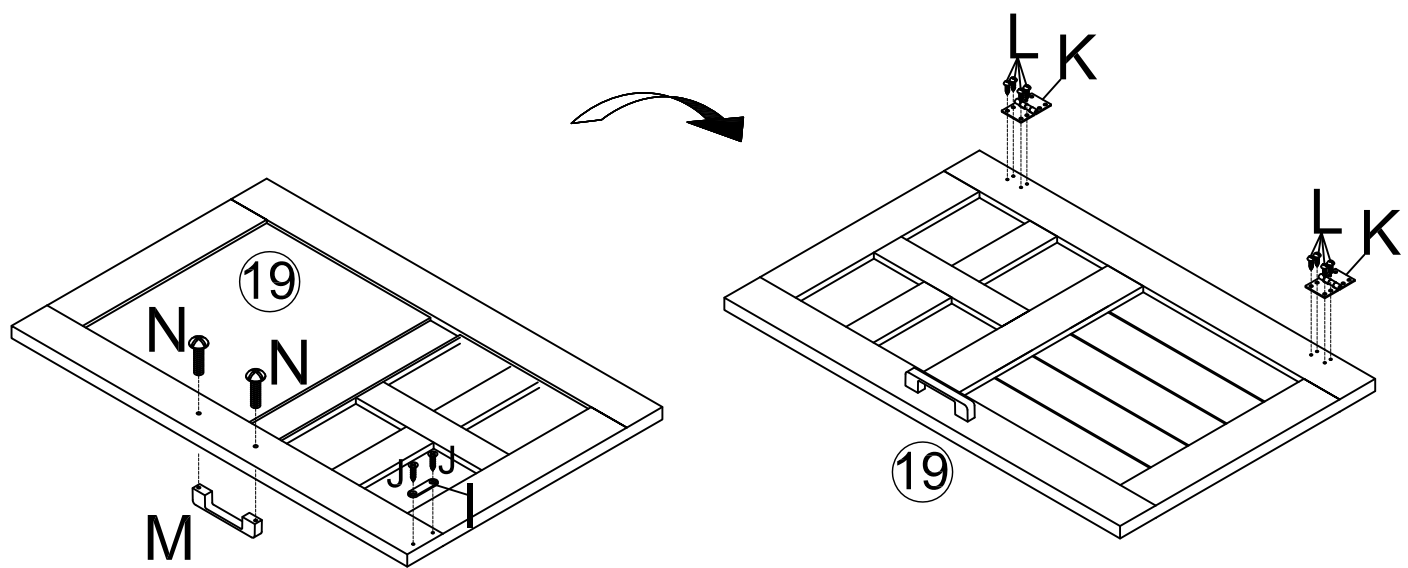
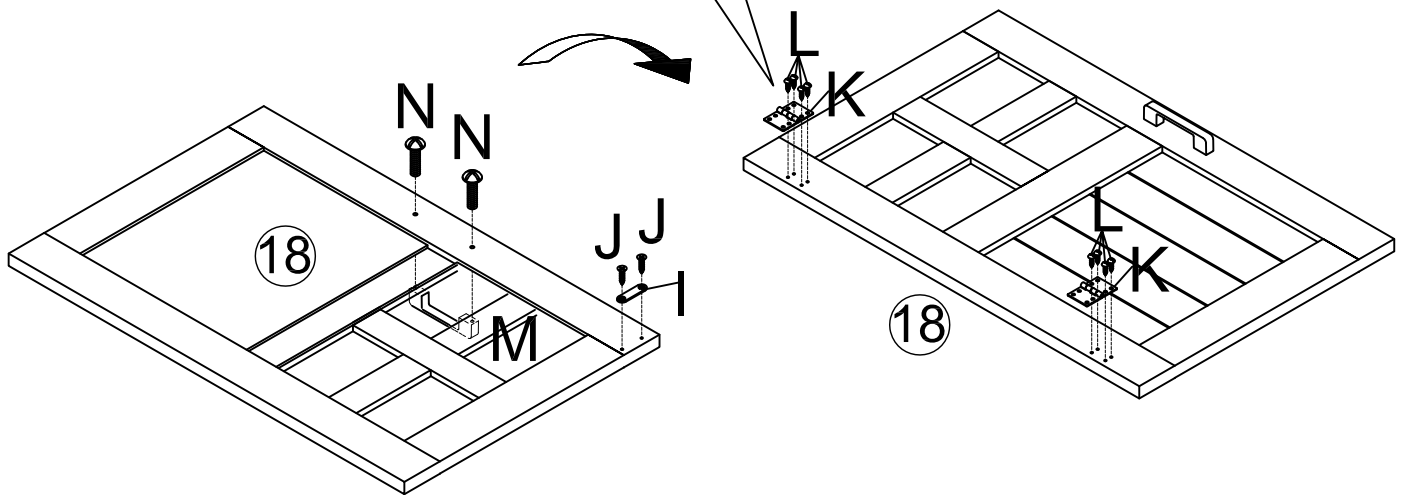
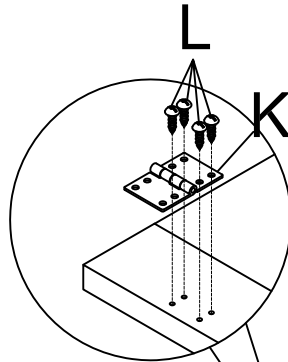
J	X 4
	
Ø3x12mm	

K	X 4
	


L	X 16
	
Ø3.5x14mm	

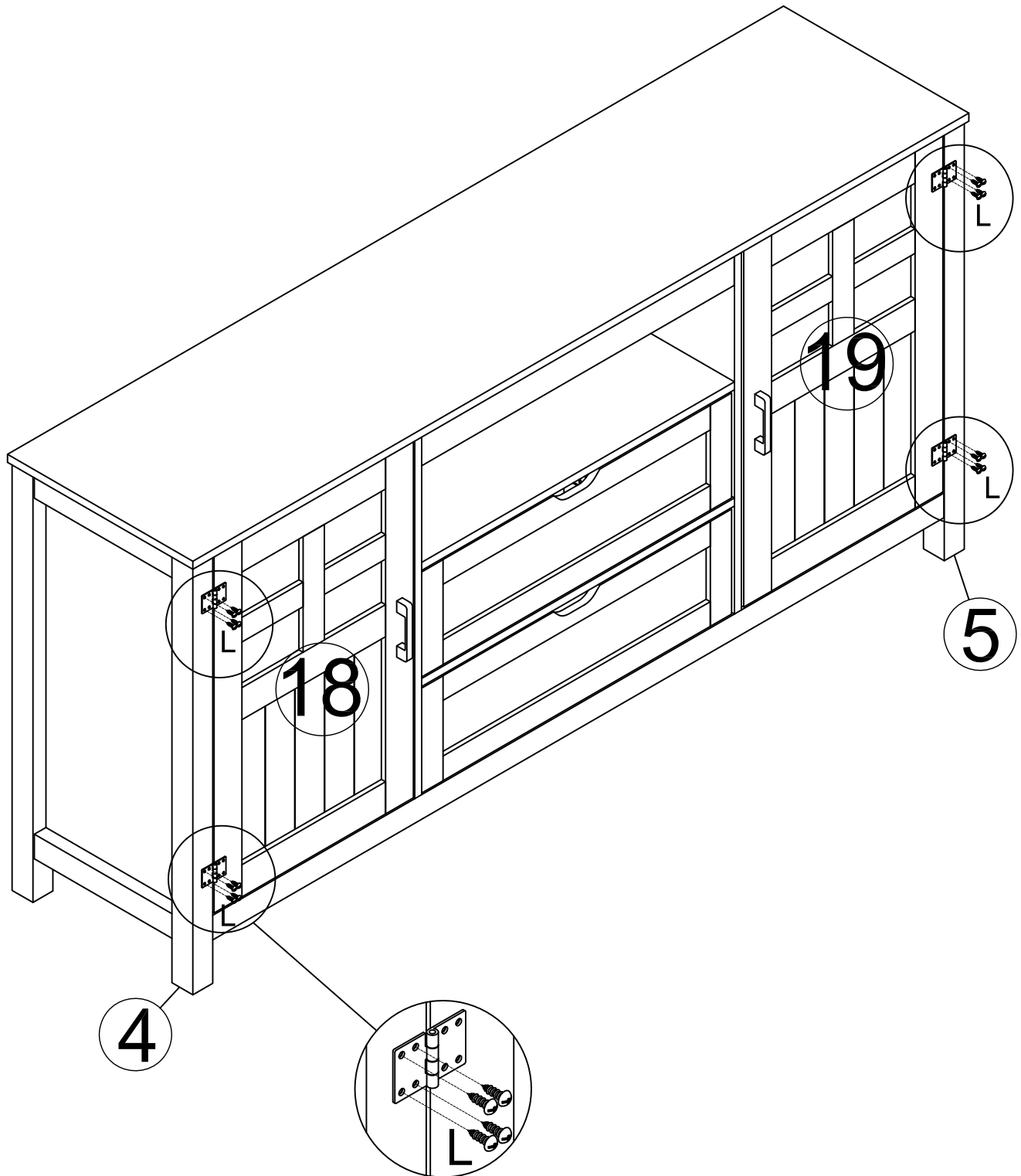
M	X 2
	

N	X 4
	
M4x22mm	




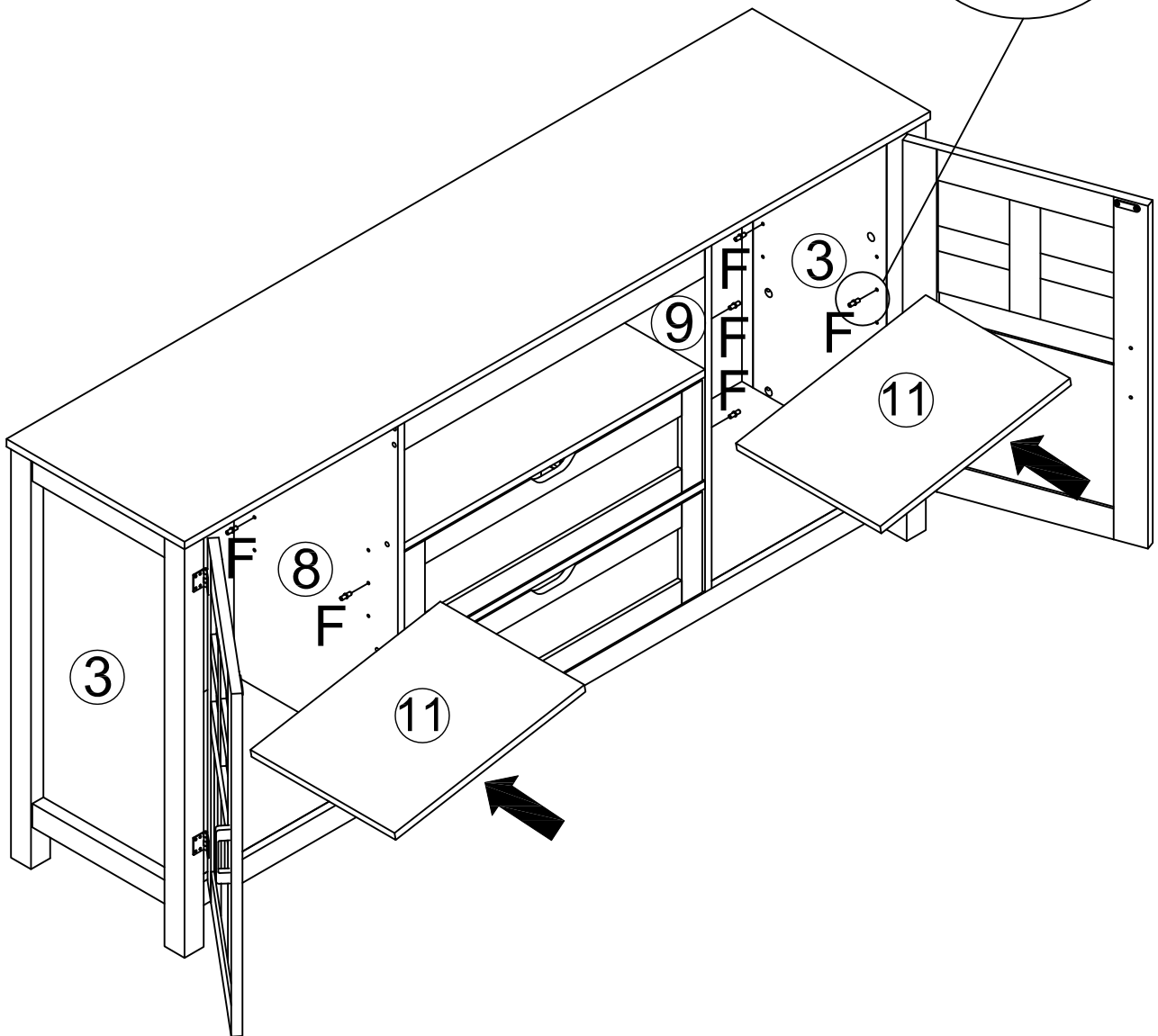
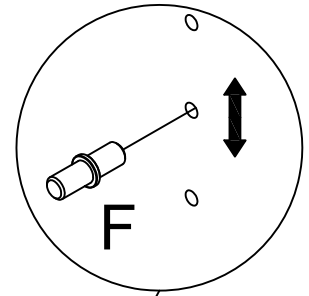
STEP 23

L	X 16
	
Ø3.5x14mm	

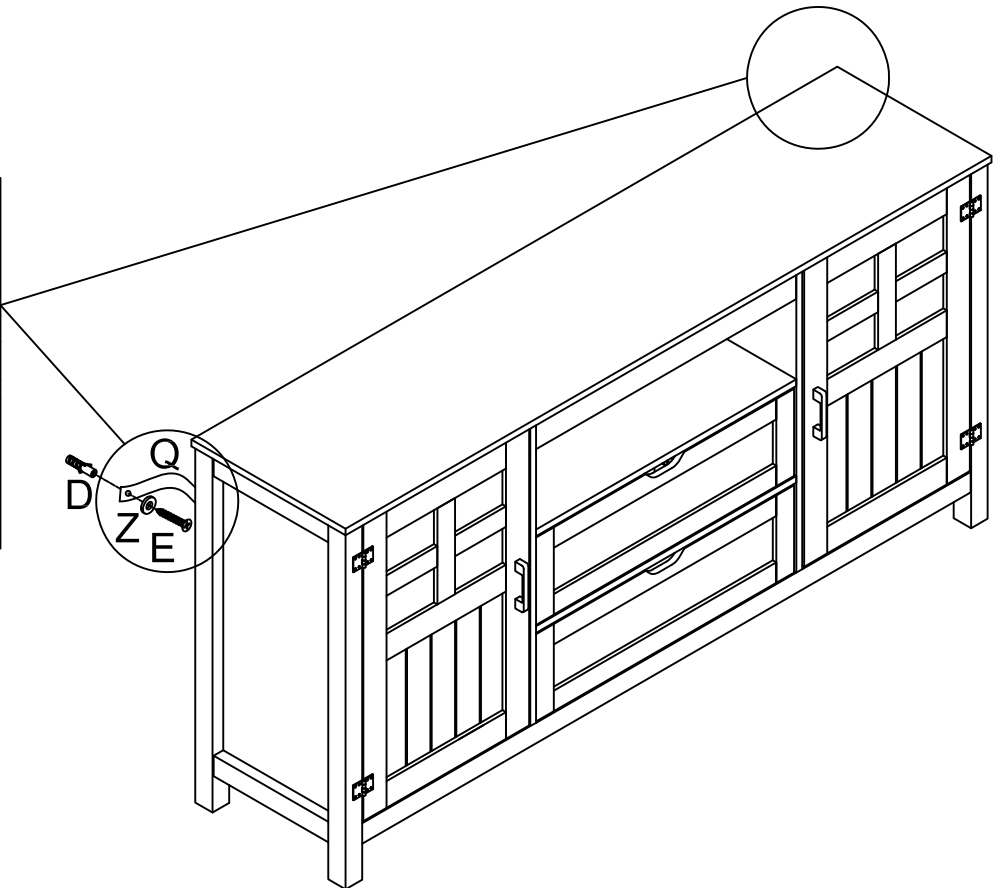
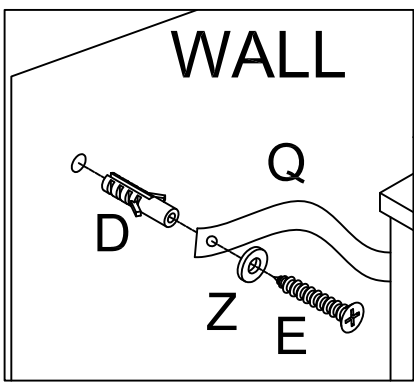
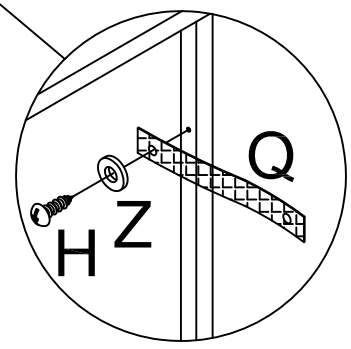
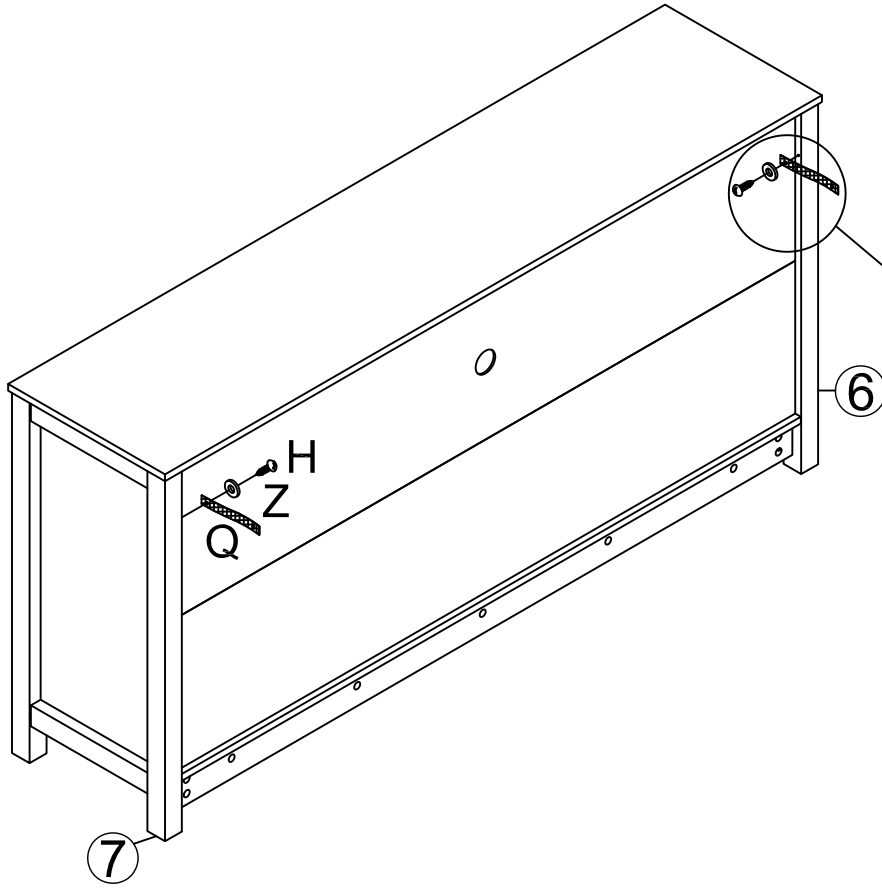
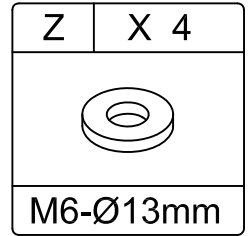
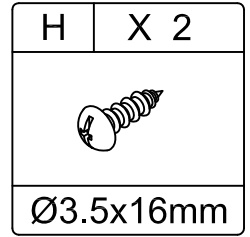
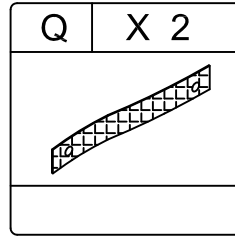
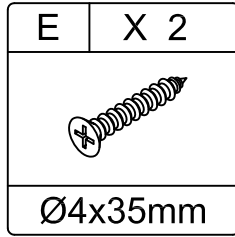
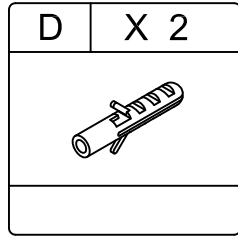


STEP 24

F	X 8
	



STEP 25



STEP 26

Installation Completed

