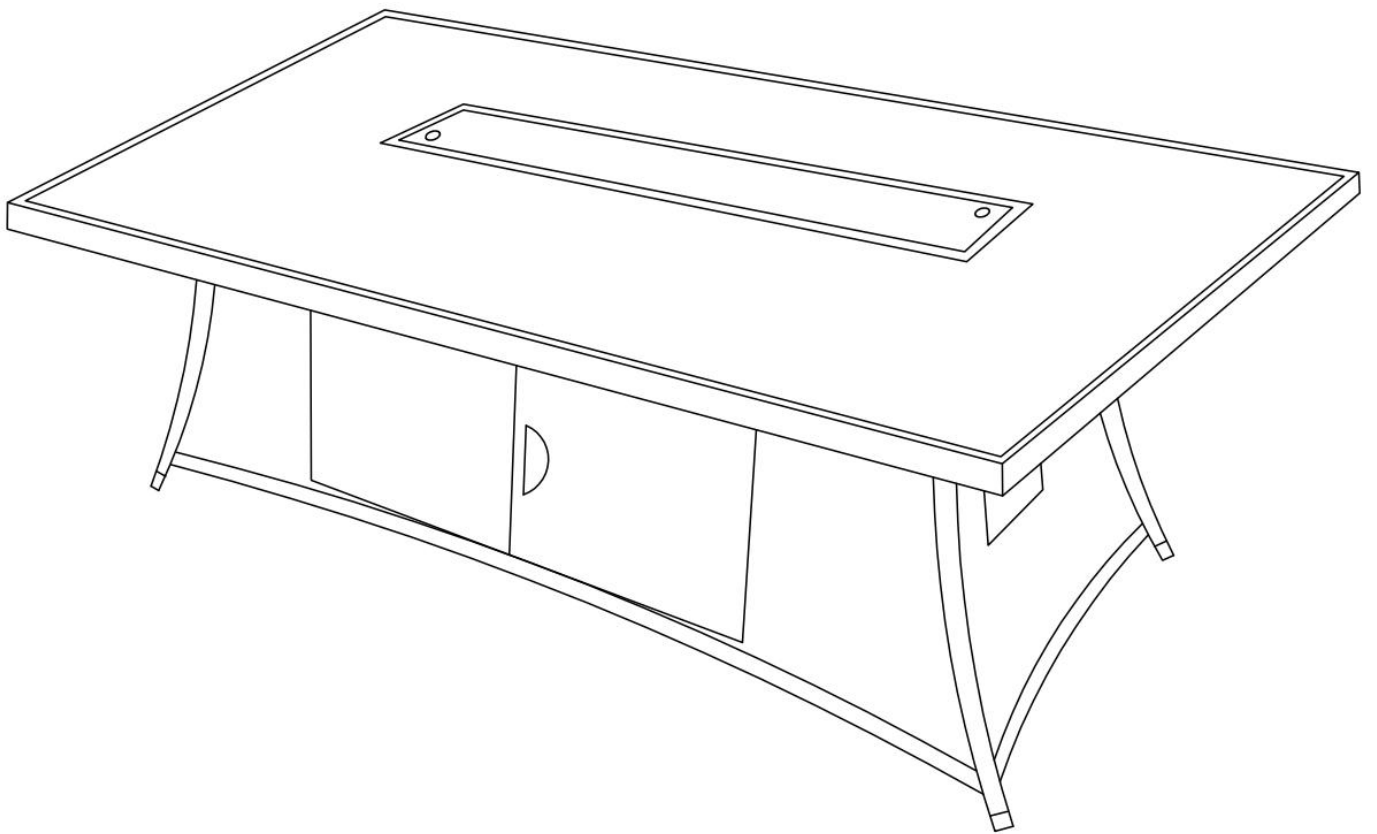

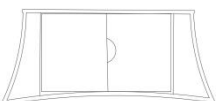



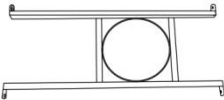
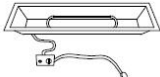


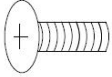




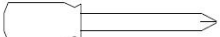



OUTDOOR FIREPIT

INSTALLATION AND USER'S INSTRUCTIONS



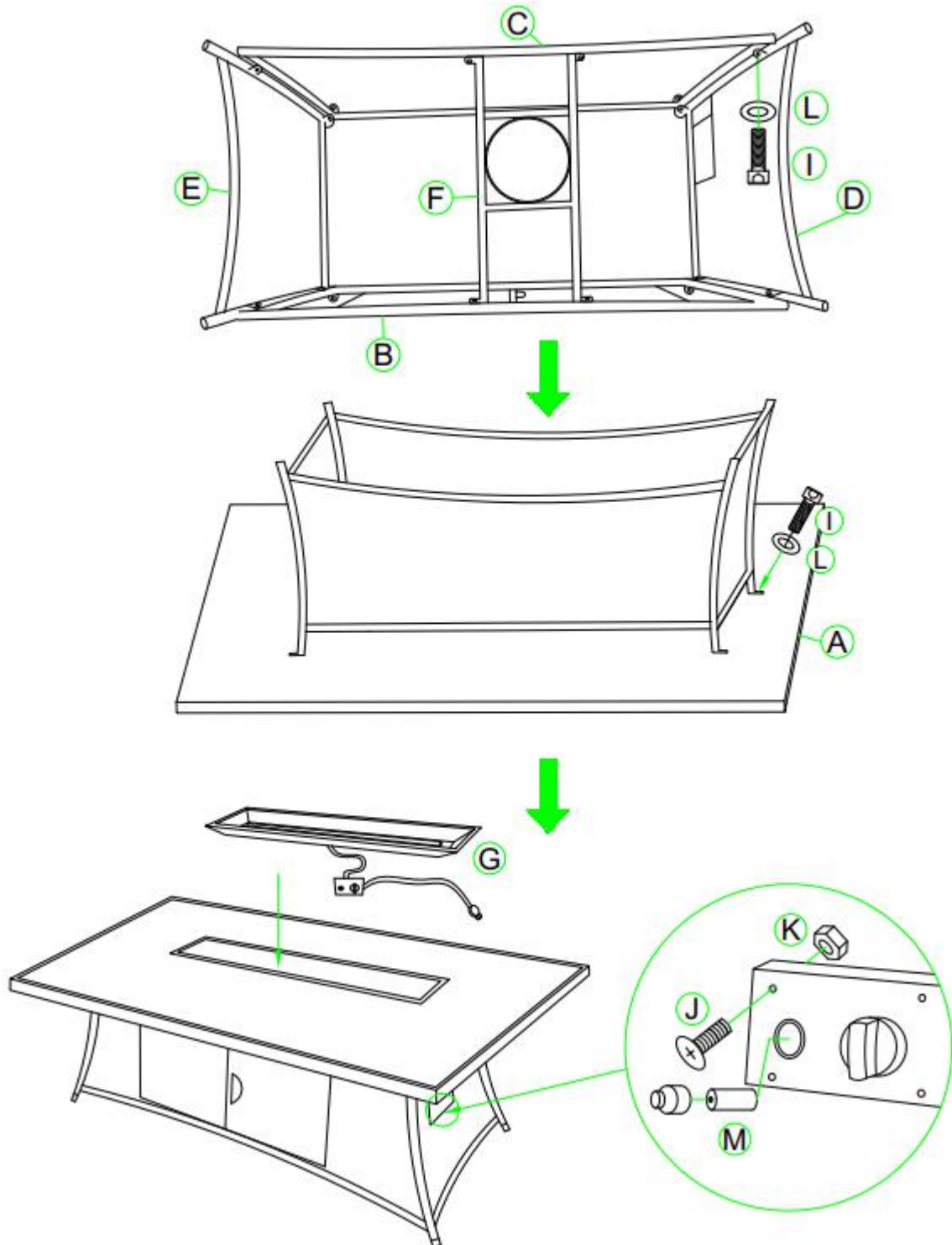
PACKAGE CONTENTS

	PART	DESCRIPTION	QTY
A		FIREPIT TABLETOP	1
B		PART A	1
C		PART B	1
D		PART C	1
E		PART D	1
F		PART E	1
G		RECTANGULAR BRAZIER	1
H		BURNER COVER	1
I		1/4"*18 BOLTS	16
J		M4*25 BOLTS	4
K		M4 SCREW NUT	4
L		WASHERS	16
M		"AAA" BATTERY (1.5V)	1
N		GLASS	1
O		SCREWDRIVER	1
P		HEX BOLT DRIVER	1

ASSEMBLY

NOTE: It is best to use TWO PEOPLE for assembly of this gas fire pit.

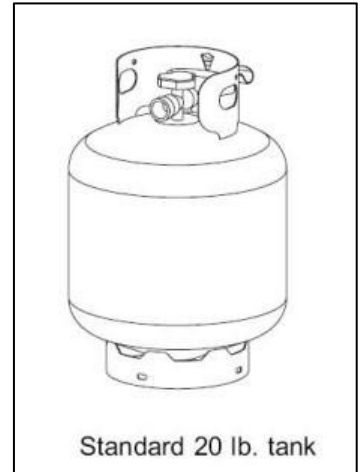
1. Carefully unpack all items from the box. Place the base in the final position. There must be a minimum of 48 in / 122 cm of clearance from the side of the table top to any combustible walls.
2. Place the tabletop on the base. Secure the tabletop to the firepit base using the bolts and washers that are provided



3. Pour the lava rock into the burner pan completely covering the burner.

4. Connect the hose and regulator to the cylinder. The propane gas and cylinder are sold separately. Use a standard 20 lb / 9.1kg. propane cylinder only. Use this fire pit only with a propane vapor withdrawal supply system. See Chapter 5 of the standard for storage and handling of liquefied petroleum gas, ANSI/NFPA 58. Your local library or fire department should have this book. Storage of an appliance indoors is permissible only if the cylinder is disconnected and removed from the appliance. A cylinder must be stored outdoors in a well-ventilated area out of reach of children. A disconnected cylinder must have dust caps tightly installed and must not be stored in a building, garage or any other enclosed area. The maximum inlet gas supply pressure: 250 psi..

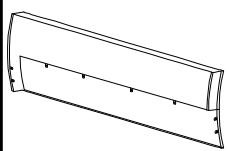
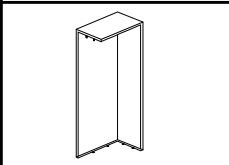
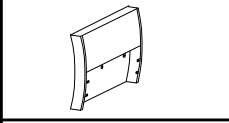
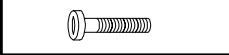
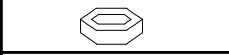

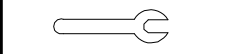
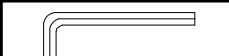
The minimum hourly of 50000 Btu is required input rating for a fire pit at rating less than full input rating. The pressure regulator and hose assembly supplied with the appliance must be used. The installation must conform with local codes, or in the absence of local codes, with national fuel gas code, ANSI Z223.1/NFPA54, natural gas and propane Installation Code, CSA B149.1, or propane storage and handling code, B149.2.

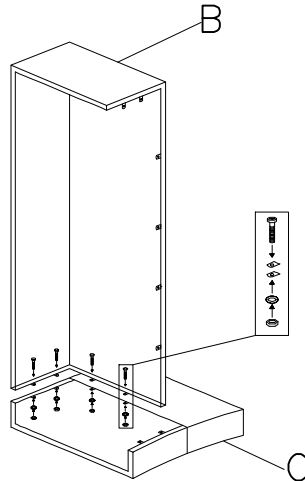


ASSEMBLY INSTRUCTIONS (THREE SEATER SOFA)

BEFORE YOU START ASSEMBLING YOUR FURNITURE:

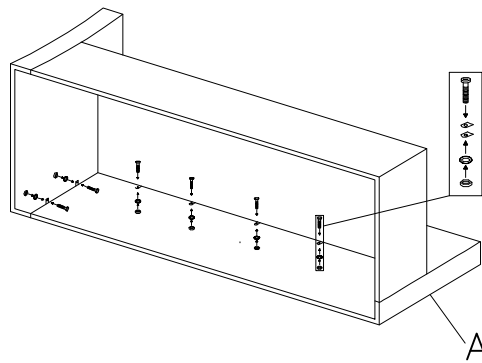
- CHECK THAT YOU HAVE ALL THE PIECES LISTED ON THE LEFT HAND SIDE.
- LAY A CLEAN SHEET ON A FLAT SURFACE BIG ENOUGH TO ASSEMBLE YOUR FURNITURE ON IN ORDER TO PROTECT YOUR FURNITURE.

A	1	
B	1	
C	1	
D	12	
E	12	
F	12	
G	1	
H	1	



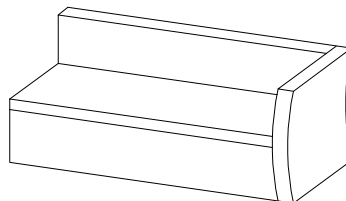
1.

Attach sofa side (C) to the left hand side of sofa base (B). Align the bolt brackets of both (B) and (C) in the position shown in the diagram above. For each of the connecting bolt brackets, insert bolt (D) through the brackets through a washer (F) and secure with a nut (E). Loosely tighten with the Allen key (H) and spanner (G) until all the bolts have been put in place. Then go over each bolt and fully tighten.



2.

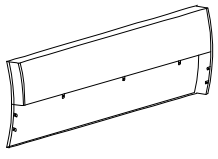
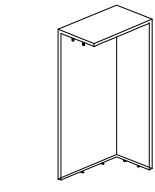
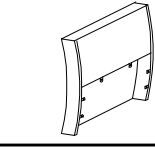
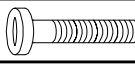
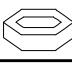
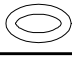
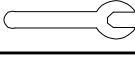

Attach sofa back (A) to sofa base (B) and sofa side (C). Align the bolt brackets of (A) with those of (B) and (C) as shown in the diagram above. For each of the connecting bolt brackets, insert bolt (D) through the brackets through a washer (F) and secure with a nut (E). Loosely tighten with the Allen key (H) and spanner (G) until all the bolts have been put in place. Then go over each bolt and fully tighten.

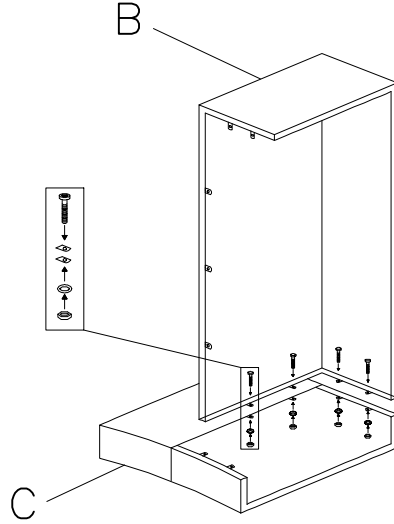


ASSEMBLY INSTRUCTIONS (DOUBLE SOFA)

BEFORE YOU START ASSEMBLING YOUR FURNITURE:

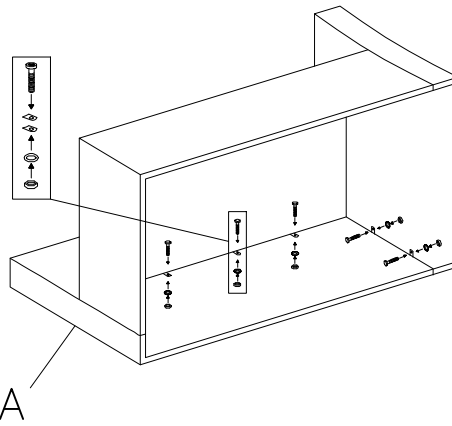
- CHECK THAT YOU HAVE ALL THE PIECES LISTED ON THE LEFT HAND SIDE.
- LAY A CLEAN SHEET ON A FLAT SURFACE BIG ENOUGH TO ASSEMBLE YOUR FURNITURE ON IN ORDER TO PROTECT YOUR FURNITURE.

A	1	
B	1	
C	1	
D	11	
E	11	
F	11	
G	1	
H	1	



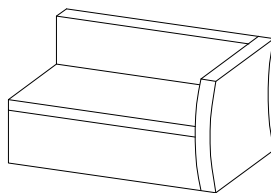
1.

Attach sofa side (C) to the right hand side of sofa base (B). Align the bolt brackets of both (C) and (B) in the position shown in the diagram above. For each of the connecting bolt brackets, insert bolt (D) through the brackets through a washer (F) and secure with a nut (E). Loosely tighten with the Allen key (H) and spanner (G) until all the bolts have been put in place. Then go over each bolt and fully tighten.



2.

Attach sofa back (A) to sofa base (B) and sofa side (C). Align the bolt brackets of (A) with those of (B) and (C) as shown in the diagram above. For each of the connecting bolt brackets, insert bolt (D) through the brackets through a washer (F) and secure with a nut (E). Loosely tighten with the Allen key (H) and spanner (G) until all the bolts have been put in place. Then go over each bolt and fully tighten.

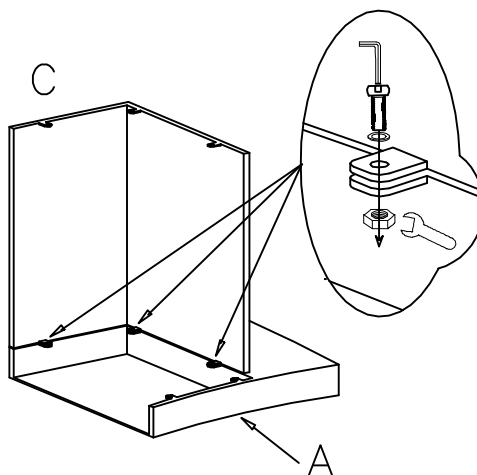


ASSEMBLY INSTRUCTIONS (SINGLE SOFA)

BEFORE YOU START ASSEMBLING YOUR FURNITURE:

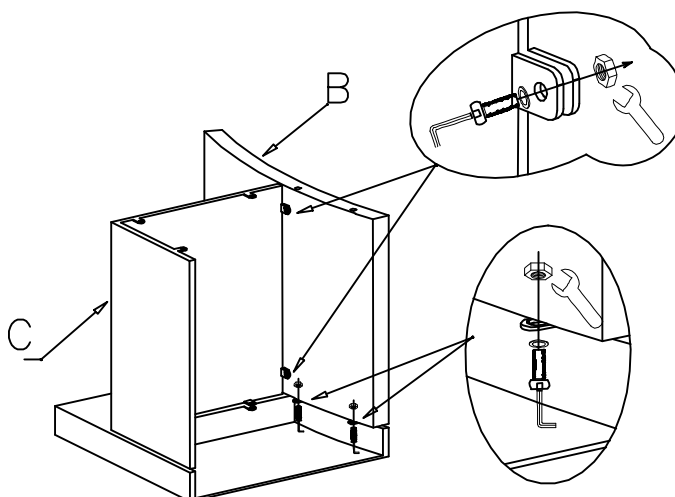
- CHECK THAT YOU HAVE ALL THE PIECES LISTED ON THE LEFT HAND SIDE.
- LAY A CLEAN SHEET ON A FLAT SURFACE BIG ENOUGH TO ASSEMBLE YOUR FURNITURE ON IN ORDER TO PROTECT YOUR FURNITURE.

A	2	
B	1	
C	1	
D	12	
E	12	
F	12	
G	1	
H	1	



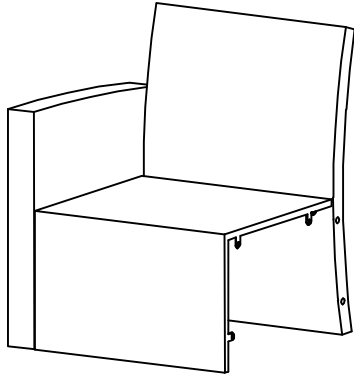
1.

Attach one of sofa side (A) to the left hand side of sofa base (C). Align the bolt brackets of both (A) and (C) in the position shown in the diagram above. For each of the connecting bolt brackets, insert bolt (D) through a washer (E), through the bolt brackets and secure with a nut (F). Loosely tighten with the Allen key (G) and spanner (H) until all the bolts have been put in place. Then go over each bolt and fully tighten.



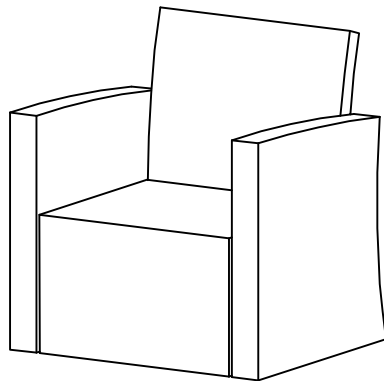
2.

Attach sofa back (B) to sofa base (C) and sofa side (A). Align the bolt brackets of (B) with those of (A) and (C) as shown in the diagram above. For each of the connecting bolt brackets, insert bolt (D) through a washer (E) through the brackets and secure with a nut (F). Loosely tighten with the Allen key (G) and spanner (H) until all the bolts have been put in place. Then go over each bolt and fully tighten.



3.

Attach remaining sofa side (A) to the complete the single sofa. Align the bolt brackets with those of (B) and (C). For each of the connecting bolt brackets, insert bolt (D) through a washer (E) through the brackets and secure with a nut (F). Loosely tighten with the Allen key (G) and spanner (H) until all the bolts have been put in place. Then go over each bolt and fully tighten.

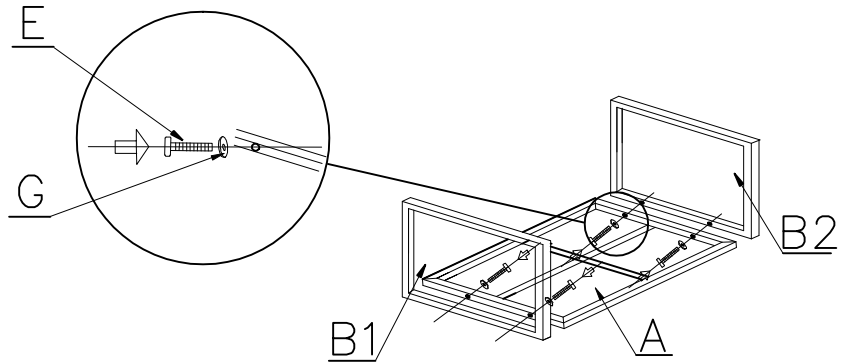


ASSEMBLY INSTRUCTIONS (SIDE TABLE)

BEFORE YOU START ASSEMBLING YOUR FURNITURE:

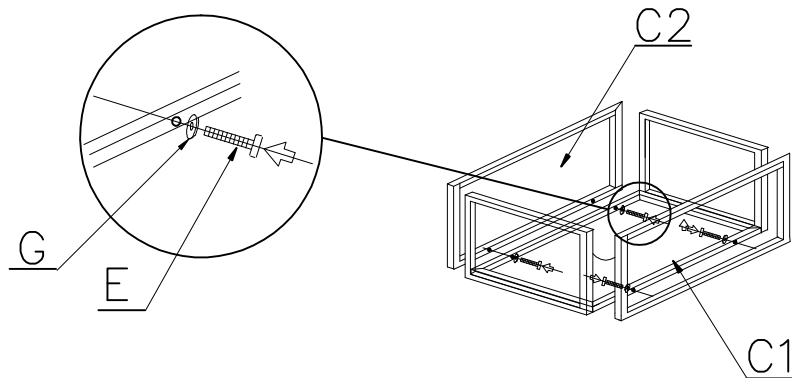
- CHECK THAT YOU HAVE ALL THE PIECES LISTED ON THE LEFT HAND SIDE.
- LAY A CLEAN SHEET ON A FLAT SURFACE BIG ENOUGH TO ASSEMBLE YOUR FURNITURE ON IN ORDER TO PROTECT YOUR FURNITURE.

A	1	
B1	1	
B2	1	
C1	1	
C2	1	
D	1	
E	18	
F	4	
G	18	
H	1	
I	4	
J	2	



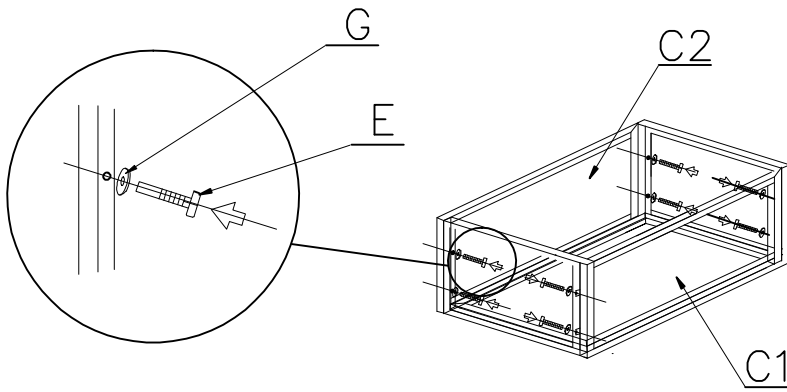
1.

Attach left piece (B1) and right piece (B2) to the bottom plate (A). Align the bolt brackets of A, B1 and B2 in the position shown in the diagram above. For each of the connecting bolt brackets, insert long bolt (E) into the brackets with the Allen key (H). Fully tighten each bolts after all bolts are inserted in the brackets.



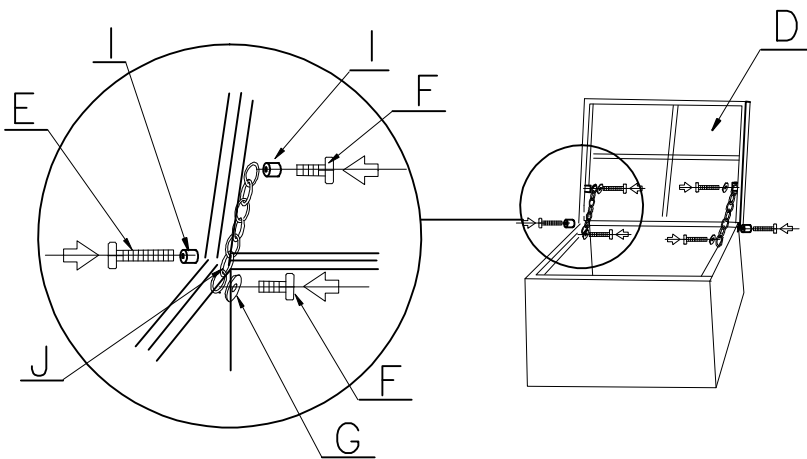
2.

Attach front piece (C1) and back piece (C2) to the bottom plate (A). Align the bolt brackets of A, C1 and C2 in the position shown in the diagram above. For each of the connecting bolt brackets, insert long bolt (E) into the brackets with the Allen key (H). Fully tighten each bolts after all bolts are inserted in the brackets.



3.

Align the bolt brackets of B1, B2, C1, C2 in the position shown in the diagram above. For each of the connecting bolt brackets, insert long bolt (E) into the brackets with the Allen key (H). Fully tighten each bolts after all bolts are inserted in the brackets.



4.

Attach top piece (D) to the back piece (C2). Place the plastic washer (I) in the position shown. Insert long bolt (E) into the brackets with the Allen key (H). Attach the top piece (D) to the left and right plates (B1, B2) with the chain (J). Place the plastic washer (I) and metal washer in the position shown. Insert short bolt (F) into the brackets with the Allen key (H). Fully tighten each bolts after all bolts are inserted in the brackets.

