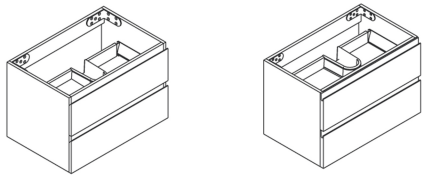
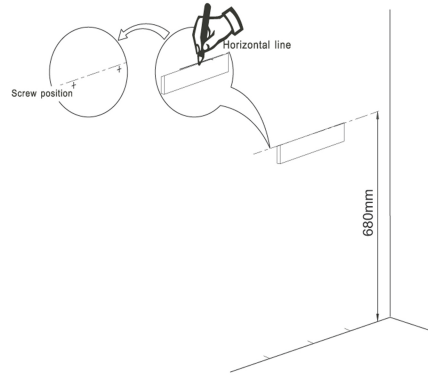


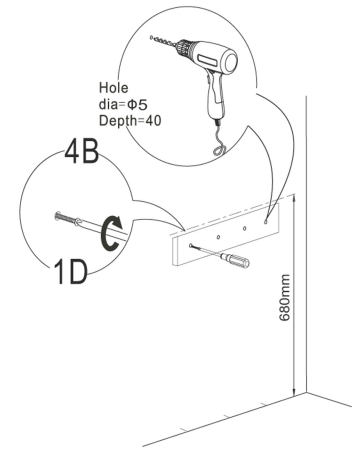
Installation Guide



1



4



Electric drill

Drill bit
(Φ 8Φ 5)

Tape measure
(3m~5m)



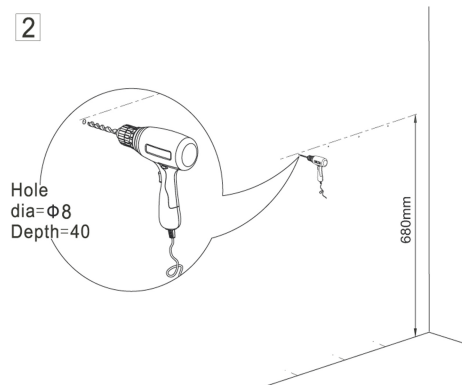
Silicone

Pencil

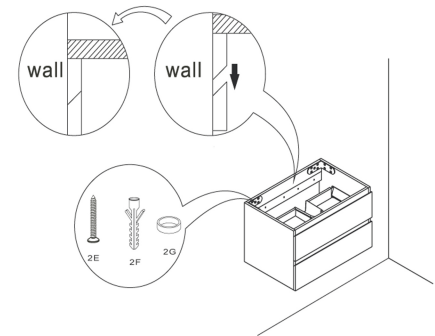
Screwdriver

Tools required for installation

2



5



CABINET



4B

4C

1D



2E



2F



2G

3

