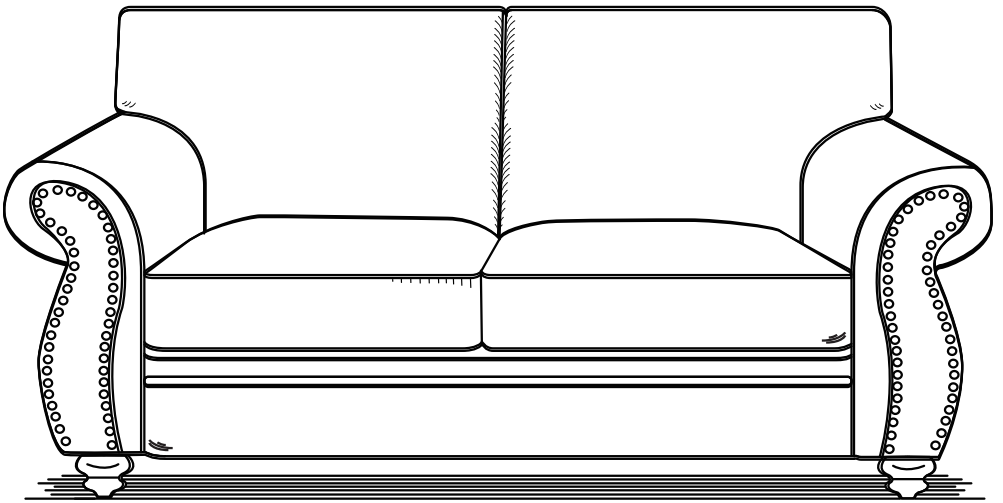


# Loveseat

Complete drawing display



# Safety And Care Advice

Important - Please read these instructions carefully before installing

Thank you very much for purchasing the product. To use this product safely and correctly, please read these instructions carefully. After reading these instructions, keep this manual in a safe place for future reference. Although this product is expected to be complete and safe, please check that all accessory items are included before attempting to assemble the product. If you find anything in the instruction manual that is difficult to understand, or if you find a defect with the product, stop using it immediately and contact Customer Service.

## Warnings :

Children are not allowed to assemble the product. During assembly, keep all small parts out of the reach of children as they may be fatal if swallowed or inhaled.

Do not place in front of a fire or other heat source.



After-sales  
service



Fast installation



Teamwork  
Recommended



The product parts are packed in two separate cartons. Please wait to receive both complete cartons before proceeding with the installation.

## Maintenance and Cleaning Methods

**Regular Wiping:** Use a soft, damp cloth to wipe down the PU leather sofa regularly to remove dust and spills. This helps prevent dirt buildup and maintains the sofa's appearance.

**Avoid Harsh Chemicals:** Refrain from using harsh chemicals or abrasive cleaners on PU leather, as they can damage the material's finish. Stick to mild soap and water for cleaning, and always test any new cleaner on a small, inconspicuous area first.

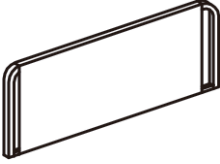
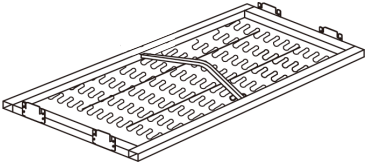

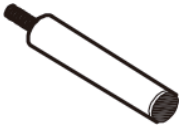
**Protect from Sunlight:** Position the PU leather sofa away from direct sunlight and heat sources to prevent fading and drying out of the material. Consider using curtains or blinds to shield the sofa from intense sunlight during peak hours.

**Handle with Care:** Be gentle when using the sofa, avoiding sharp objects or rough surfaces that could scratch or puncture the PU leather. Encourage family members and guests to be mindful of their actions to prevent accidental damage.

**Conditioning (Optional):** While PU leather doesn't require conditioning like genuine leather, you may choose to use a specialized PU leather conditioner occasionally to maintain its suppleness and prevent cracking. Follow the product instructions carefully and apply sparingly.

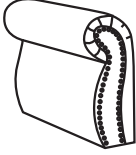
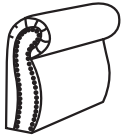
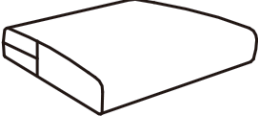
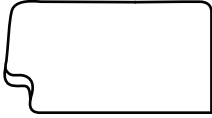

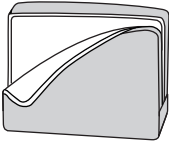
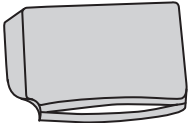
# Parts List

The parts list is shown below

illustration	description	quantity
	Backrest	A×1
	Seat frame	B×1
	Front panel	C×1
	Leg	D×1

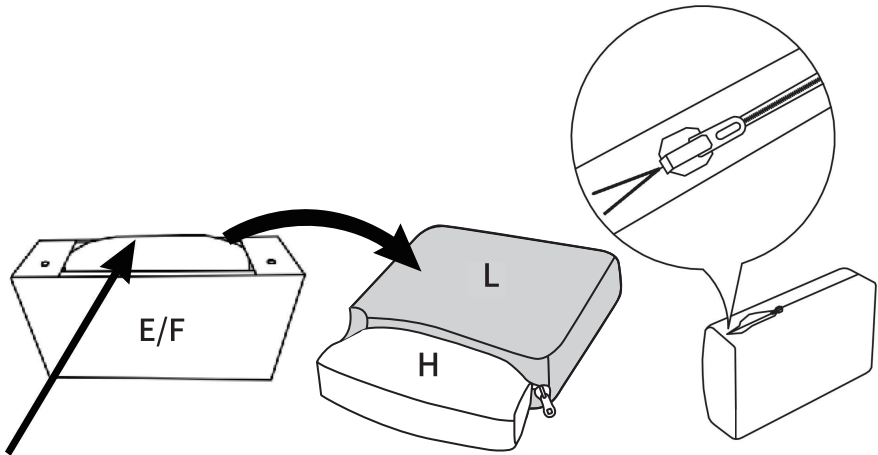
# Parts List

The parts list is shown below

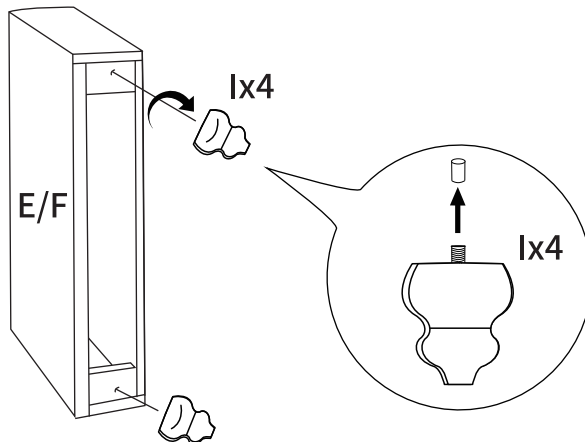
illustration	description	quantity
	Left armrest	E × 1
	Right armrest	F × 1
	Seat cushion	G × 2
	Back cushion	H × 2
	Leg	I × 4
	Seat cushion cover	K × 2
	Back cushion cover	L × 2

# Installation Procedure

Specific operations are shown in the following figure



STEP1 : Remove the back cushions and covers from the inside of each arm. Stuff the back cushion into the cover and zip it up. Note: The back cushion covers are in the arms, there are 2 kinds of covers and the back cushion cover is smaller.

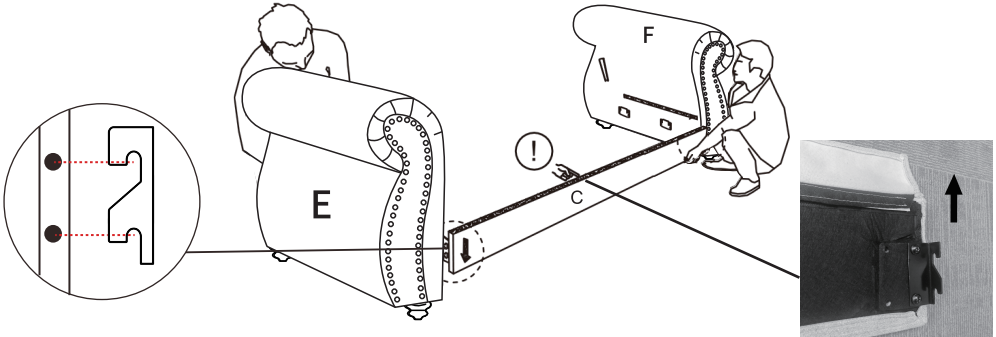


STEP2: Remove the plastic caps on the bolts of each leg. Flip the arms upside down to screw the legs.

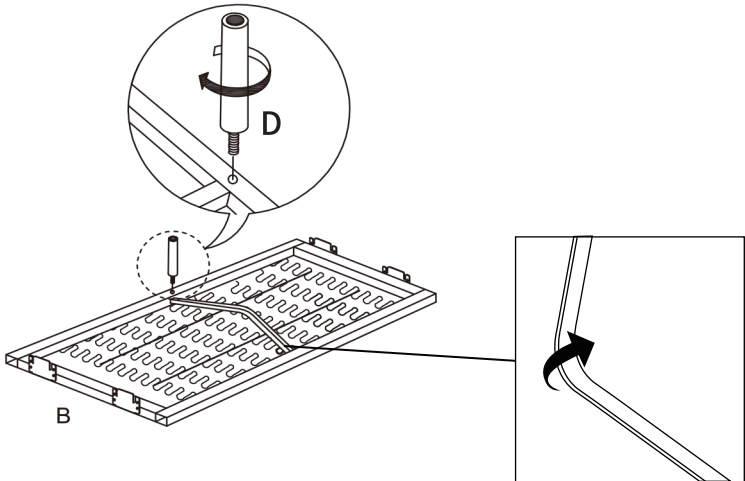
# Installation Procedure

Specific operations are shown in the following figure

Keep the surface of the front panel with extra cloth upwards.



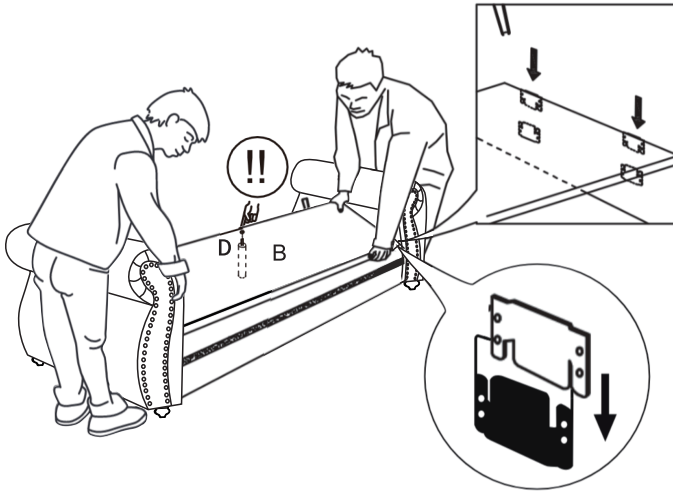
**STEP3:** To attach the 2 arms with the front panel slide the connectors of the front panel into the armrest's receivers.



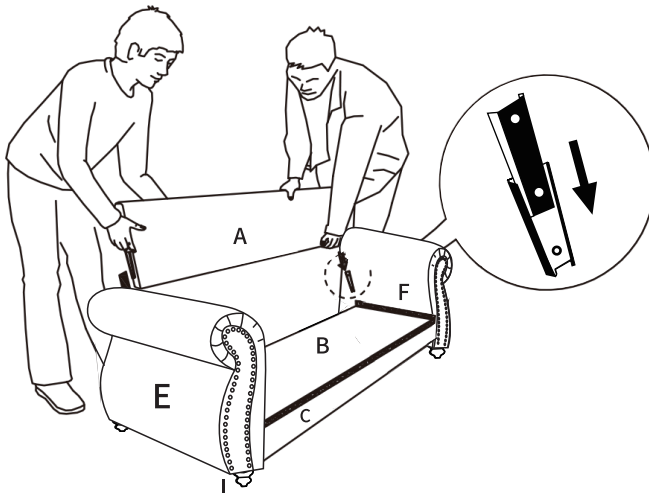
**STEP4:** Screw the leg (D) onto the seat base and pull the steel support up.  
Note: The steel support are covered by the black lining. Find and pull it up.

# Installation Procedure

Specific operations are shown in the following figure



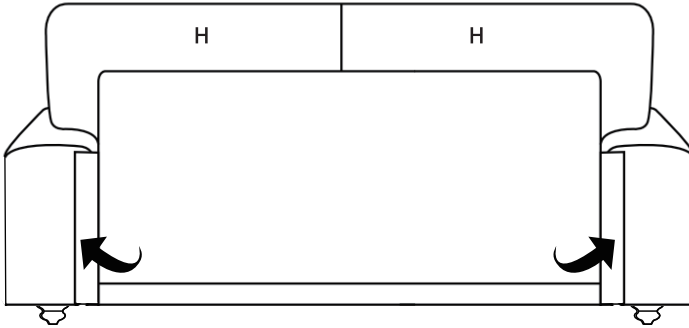
**STEP5:** To attach the seat frame, connect the seat's connector into the armrest's receiver.(align, push down to slide into place)



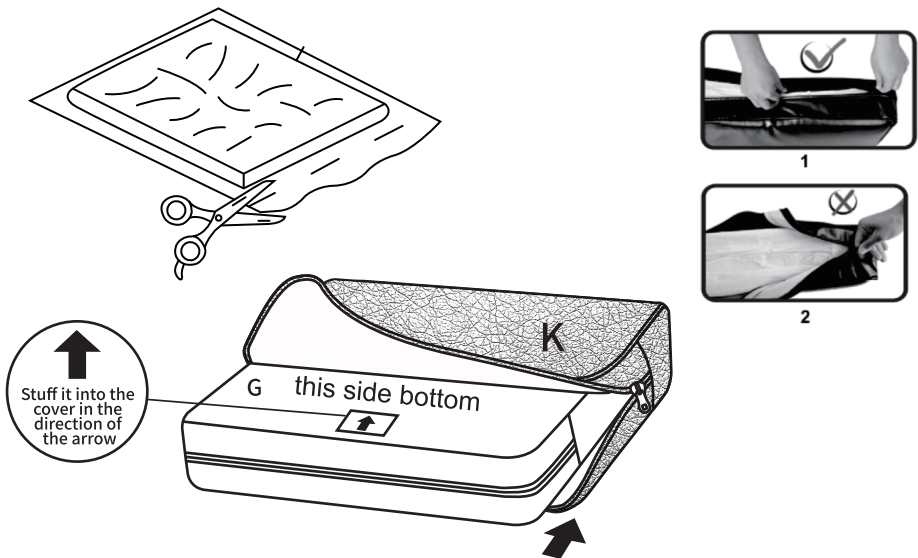
**STEP6 :** To attach the backrest, slide the connectors of the backrest into the armrest receivers.

# Installation Procedure

Specific operations are shown in the following figure



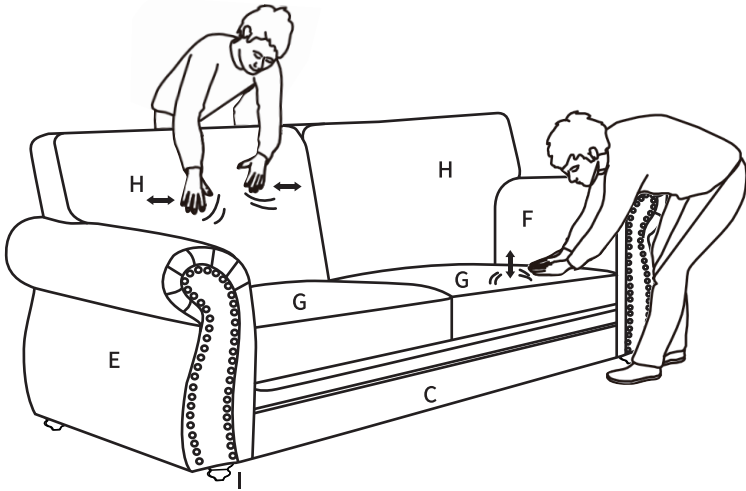
STEP7 : Paste the velcro of backrest onto the armsrests and the bottom.



Step8 : Open the bag and get the seat cushions out. Stuff it into the seat cushion cover in the direction of the arrow. Zip it up as picture 1. Note: It will take about 48 hours for the cushion to expand completely

# Installation Procedure

Specific operations are shown in the following figure



**STEP9 :** Place the cushions and pat it to smooth out the wrinkle.