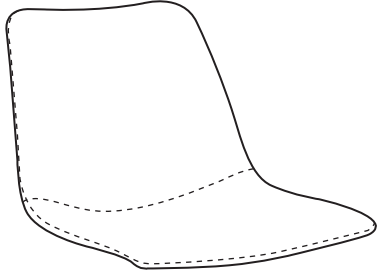


ASSEMBLY INSTRUCTION

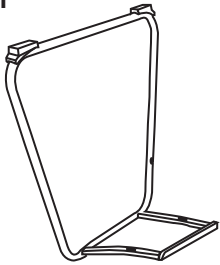
Ax1



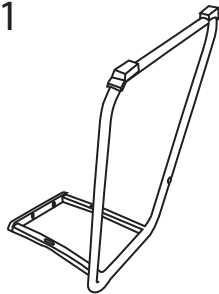
Dx1



Bx1

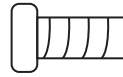


Cx1

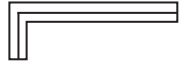


Ex2

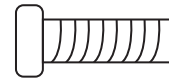
M6X12



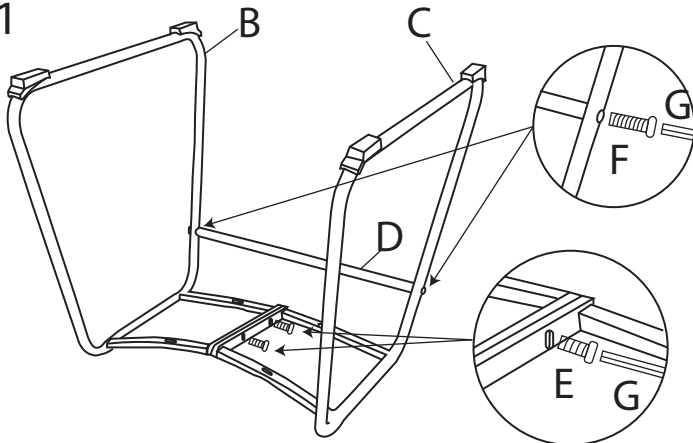
Gx1



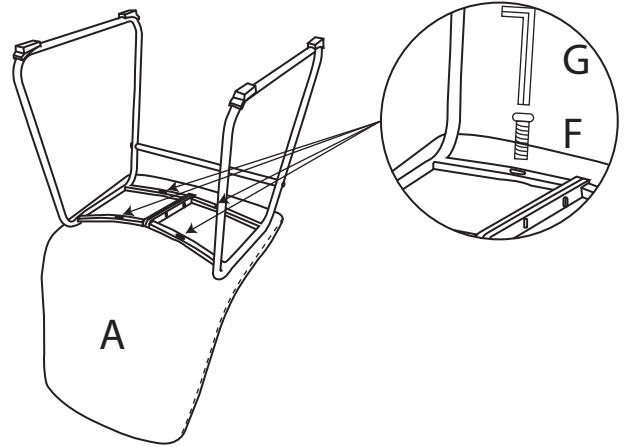
Fx6
M6X25



1



2



3

