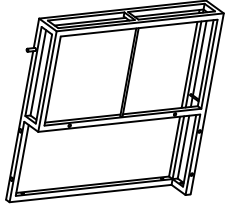
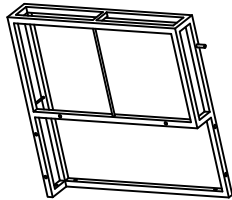


Assembly Instruction

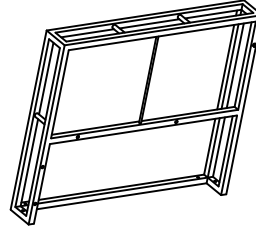
1. Please check the carton and Packing materials before disposing, to ensure that you have all the parts for this products
2. Do not tighten all screws completely until assemble is completed



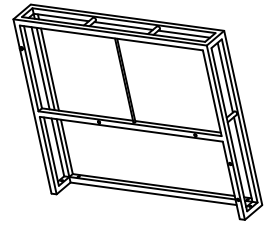
A:Right sofa back
1pc



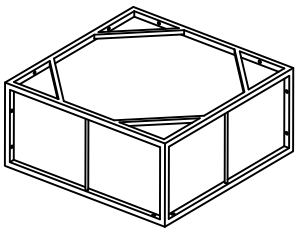
B:Left sofa back
1pc



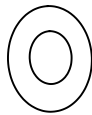
C:Right sofa arm
1pc



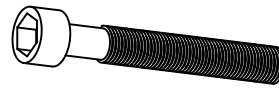
D:Left sofa arm
1pc



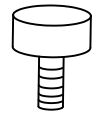
F:Right and leftsofa seat
2pcs



V:Shim $\varnothing 16*6.4*1$
48pcs



S:Screw M6*50mm
20pcs



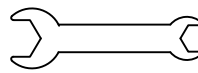
Z:Adjustable foot pad
16pcs



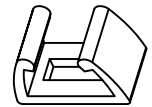
W:Nut M6
20pcs



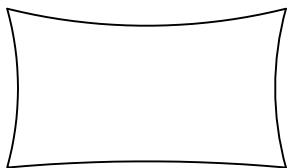
Inner hexagon spanner
1pc



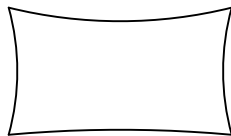
Open spanner
1pc



Plastic parts
4pcs



Back cotton
2pcs

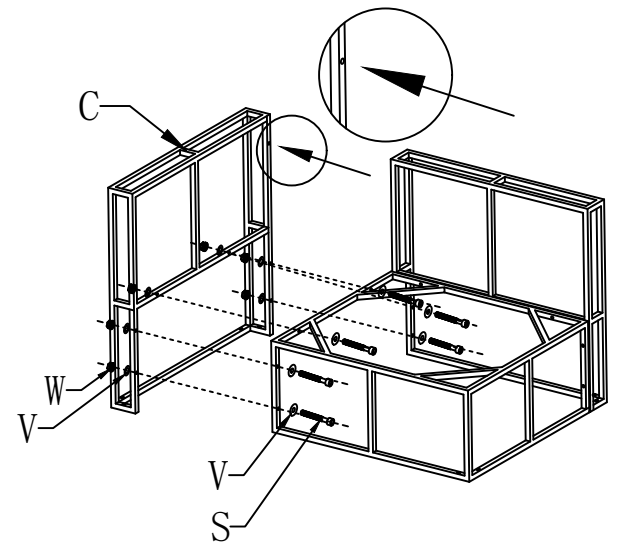
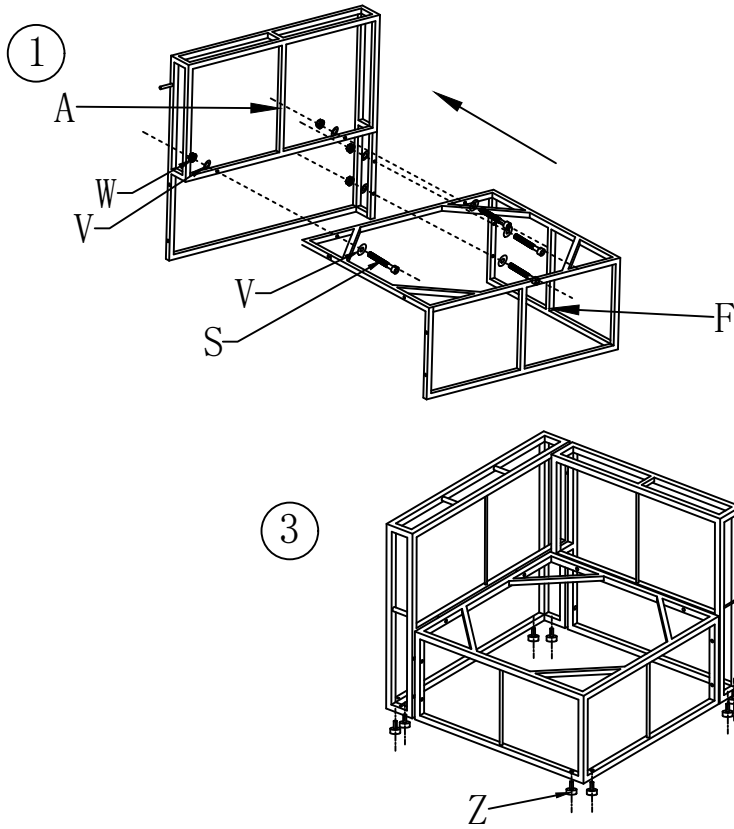


Bcak cotton (small)
2pcs

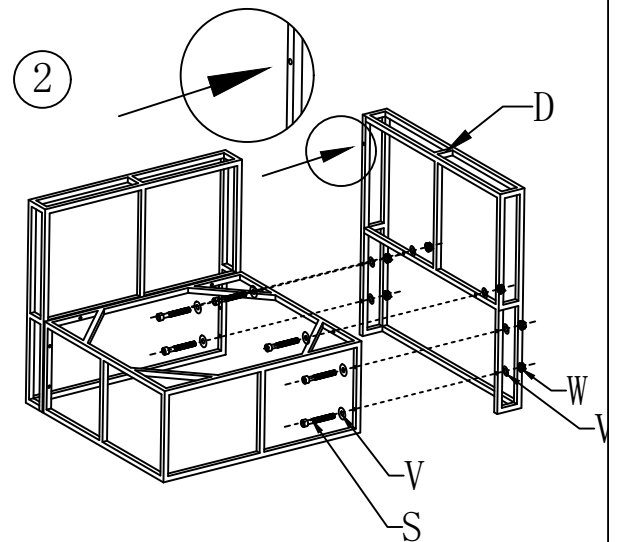
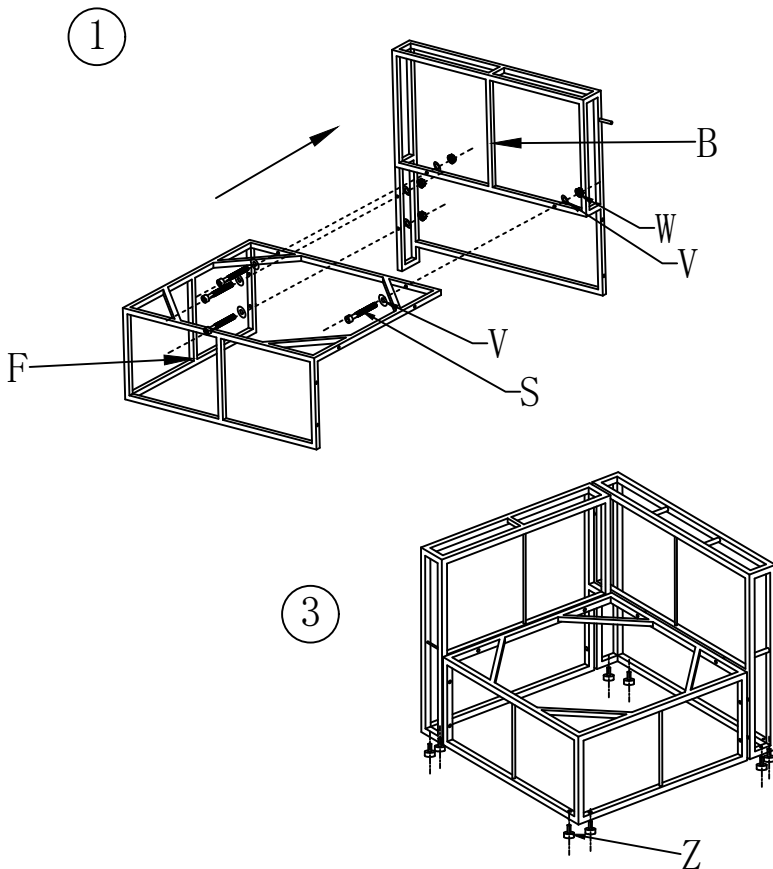


Seat sotton
2pcs

Right sofa

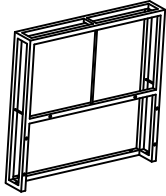


left sofa

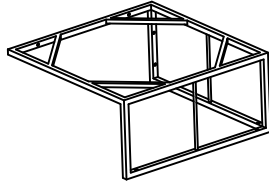


Assembly Instruction

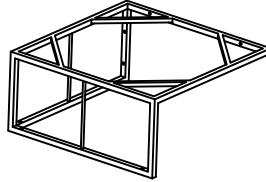
1. Please check the carton and Packing materials before disposing, to ensure that you have all the parts for this products
2. Do not tighten all screws completely until assemble is completed



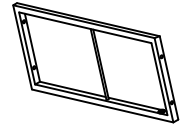
E: Middle sofa back
2pcs



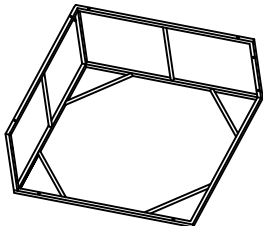
G: Left middle sofa seat
1pc



H: Right middle sofa seat
1pc



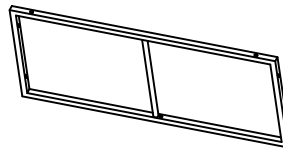
I: middle sofa side part
2pcs



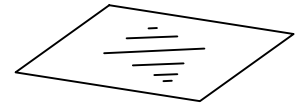
K: Table top
1pc



L: Table part1
1pc



M: Table part2
1pc



Glass
1pc



S: Screw M6*50mm
12pcs



T: Screw M6*35mm
14pcs



V: Shim $\varnothing 16 \times 6.4 \times 1$
38pcs



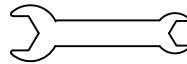
W: Nut M6
12pcs



Z: Adjustable Screw
24pcs



Inner hexagon spanner
1pc



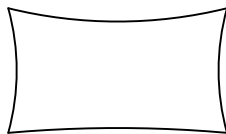
Open spanner
1pc



Plastic parts
4pcs

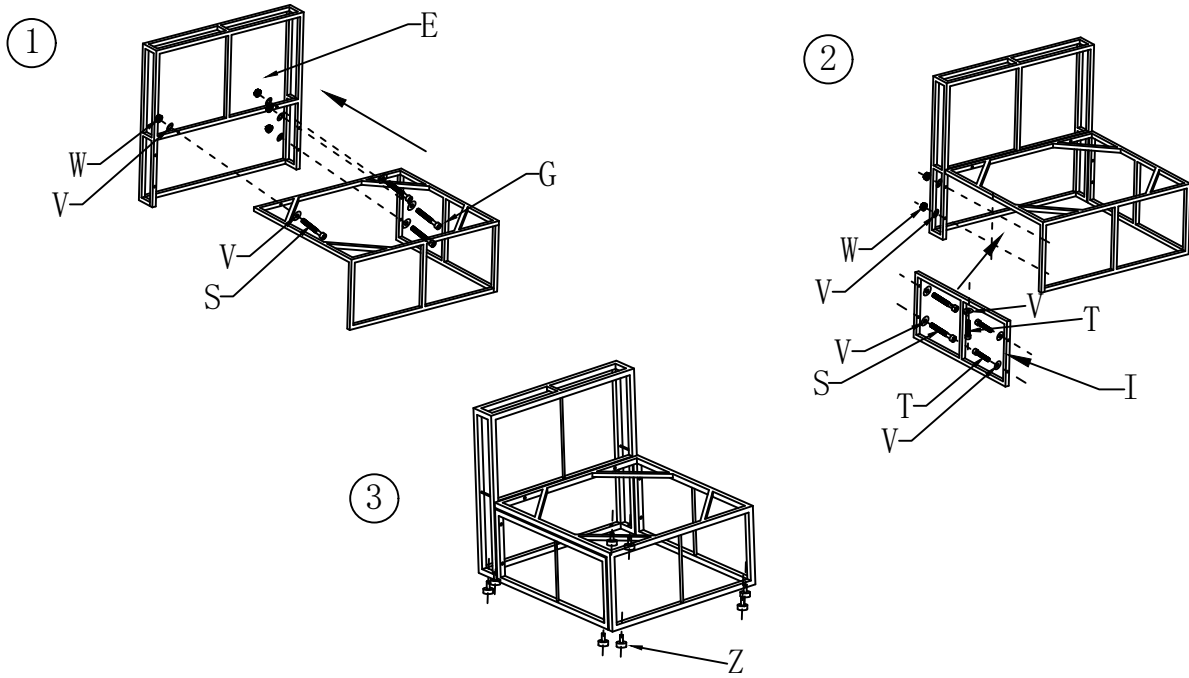


Seat cotton (lounger)
2pcs



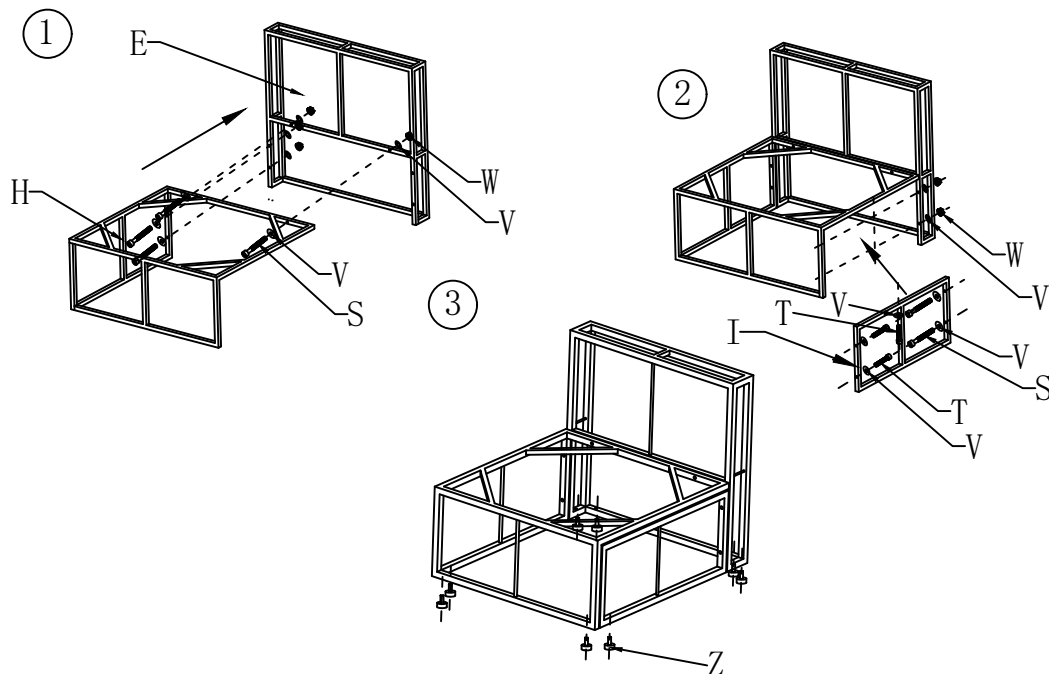
Back cotton
2pcs

Left middle sofa

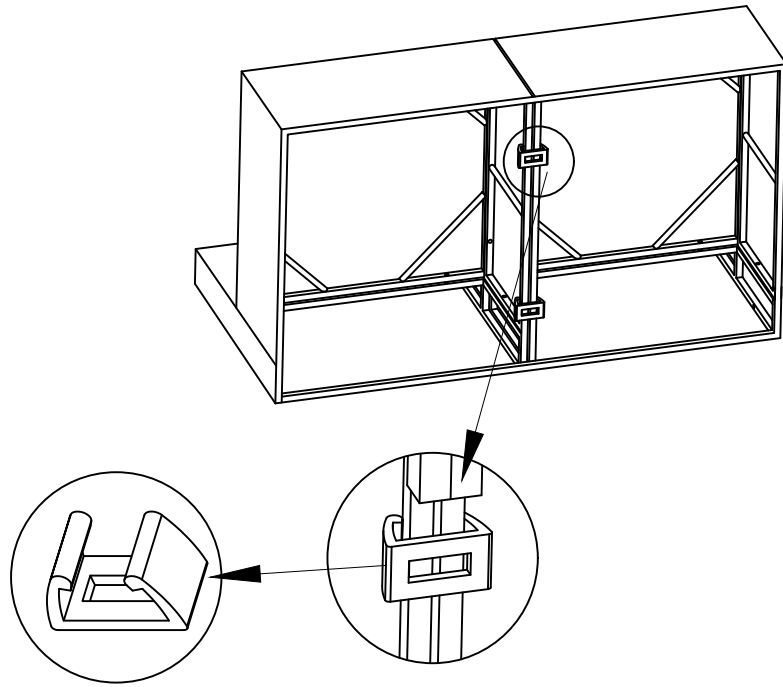


Note: Please do not fix screws tightly before all screws and holes connected.
Tks.

Right middle sofa

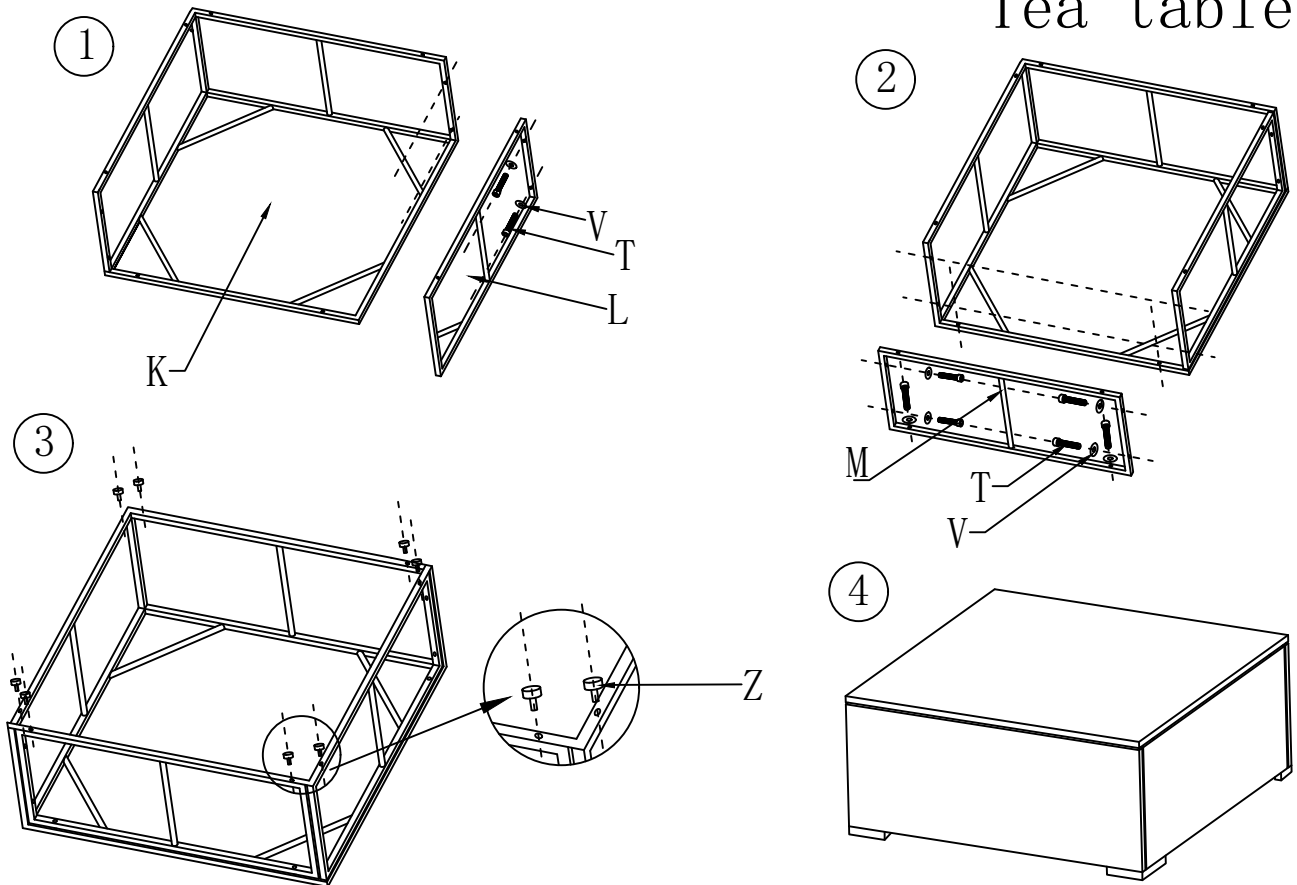


Note: Please do not fix screws tightly before all screws and holes connected.
Tks.



Note: Please do not fix screws tightly before all screws and holes connected.
Tks.

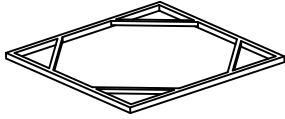
Tea table



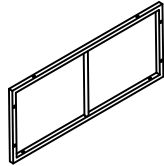
Note: Please do not fix screws tightly before all screws and holes connected.
Tks.

Assembly Instruction

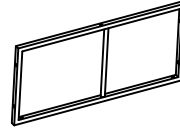
1. Please check the carton and Packing materials before disposing, to ensure that you have all the parts for this products
2. Do not tighten all screws completely until assemble is completed



A:Footrest top
2pcs



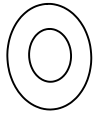
B:Footrest part1
4pcs



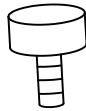
C:Footrest part2
4pcs



T: Screw M6*35mm
28pcs



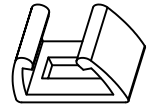
V:Shim $\varnothing 16*6.4*1$
28pcs



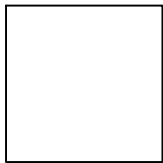
Z:Adjustable foot pad
16pcs



Inner hexagon spanner
1pc

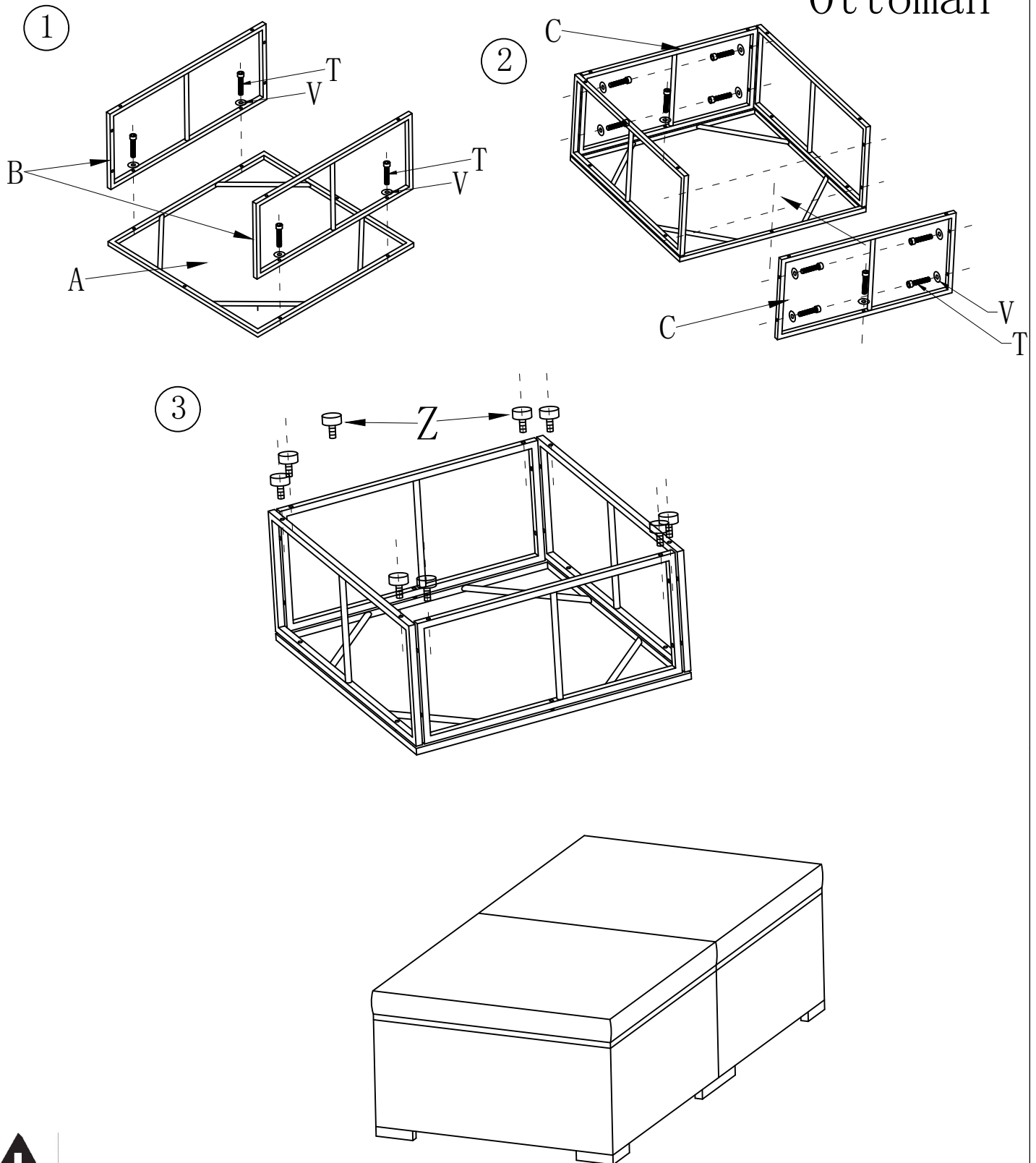


Plastic parts
4pcs



Seat cotton
2pcs

Ottoman



WARNING

- Do not let any sharp objects touch or rub the surface of the product.
When assembling, do not let children play around the working area.
Please confirm all parts are correct before starting the assembly process.
Do not tighten all bolts and screws completely until the entire unit has been assembled and set up.
Use only the wrench provided. **DO NOT USE POWER TOOLS.**
Power tools can overtighten screws and strip threads.
For each screw:
1. Tighten each screw until you meet resistance.
 2. Tighten one additional full rotation. **DO NOT OVERTIGHTEN.**