



# Oakmont

Model # 65114E

# Wooden Swing Set

Owner's Manual & Assembly Instructions

MANUFACTURED BY:  
Backyard Discovery  
3305 Airport Drive  
Pittsburg, KS 66762  
800-856-4445

**WARNING: FOR DOMESTIC USE ONLY.**



average 2 person assembly time



assembly time may vary based on skill level

Before you begin

FOR QUICK & EASY ASSEMBLY

FIND 3D INSTRUCTIONS FOR THIS PRODUCT IN

**BILT.**

DOWNLOAD THE FREE APP



For the most up to date assembly manual, to register your set, or to order replacement parts please visit

**[www.backyarddiscovery.com](http://www.backyarddiscovery.com)**

**SAVE THIS ASSEMBLY MANUAL FOR FUTURE REFERENCE IN THE EVENT THAT YOU NEED TO ORDER REPLACEMENT PARTS.**

Para obtener instrucciones en español, visite [www.backyarddiscovery.com](http://www.backyarddiscovery.com)



Place the set on level ground, not less than 6'-7" [2 m] from any structure or obstruction such as a fence, garage, house, overhanging branches, laundry lines, or electrical wires.

- While assembling unit, take time before and after each phase to make sure fort is level. If fort is not level, assembly will be difficult and improper assembly may result. Extra care must be taken to insure the fort is square.
- The safe play area refers to a zone extending 6'-7" (2m) beyond the play product on all sides, including the space above the play product.

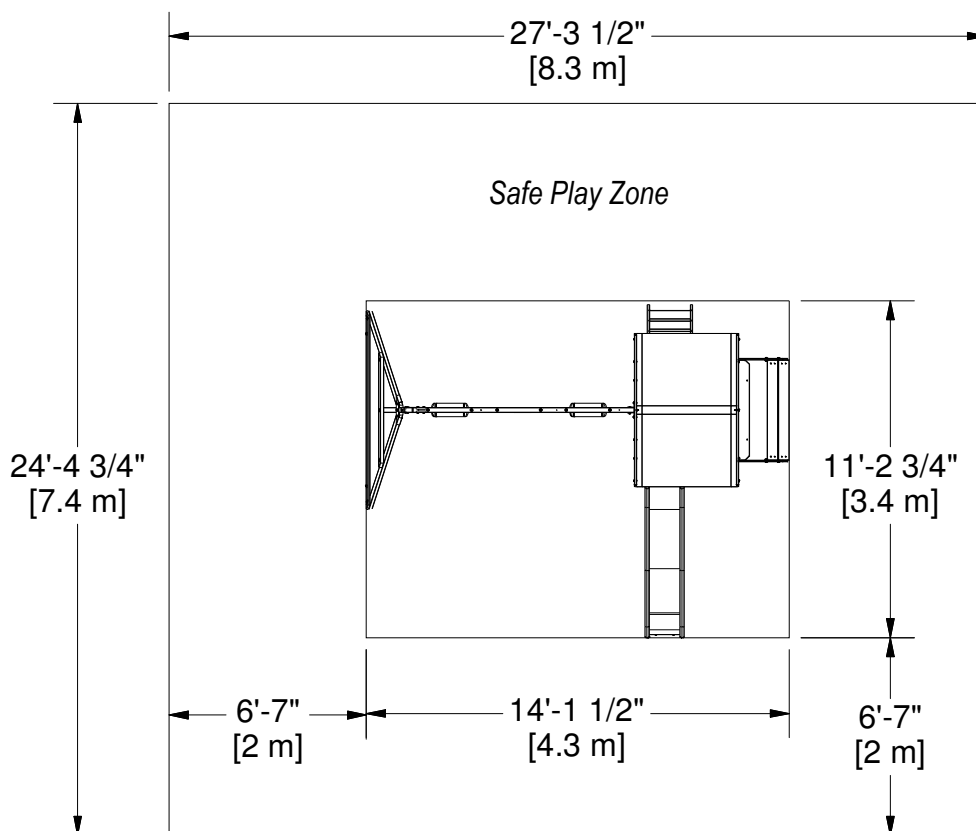
## SAFE PLAY AREA DIAGRAM

### Ground Dimension

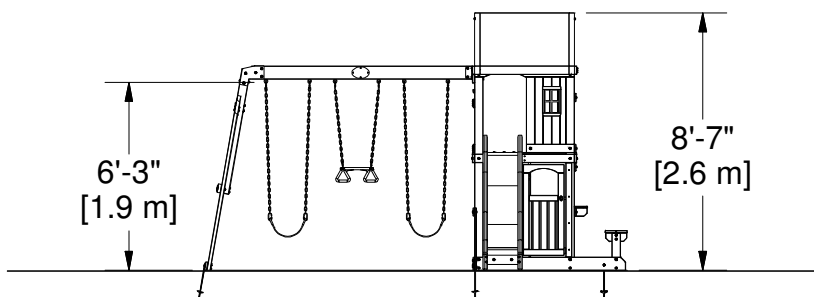
EXAMPLE: 11' - 2 3/4" (3.4 m) x 14' - 1 1/2" (4.3 m)

### Safe Play Area

EXAMPLE: 15' - 2" (4.6 m) x 24' - 4 3/4" x 27' - 3 1/2"



SAFE PLAY HEIGHT: 15'-2" [4.6 m]  
MAXIMUM FALL HEIGHT: 6'-3" [1.9 m]

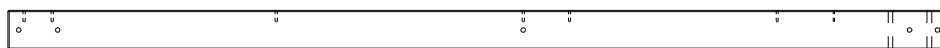


### General Information:

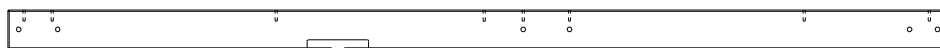
Your set has been designed and engineered for children only and for residential use only.  
 A maximum of 150 lbs. per child is recommended for play activities designed for individual use.  
 A maximum of 120 lbs. per child is recommended for play activities designed for multiple child use.  
 A maximum of 9 children is recommended for this swing set.



Wood Components (Not to Scale)



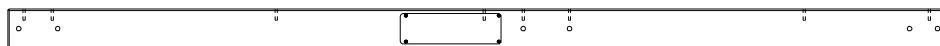
**E1** | FRONT LEFT UPRIGHT - W4L14655  
(x1) | 1 3/8"x3 3/8"x81 3/4" (36x86x2076)



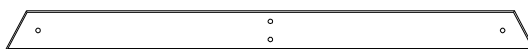
**E2** | FRONT RIGHT UPRIGHT - W4L14656  
(x1) | 1 3/8"x3 3/8"x81 3/4" (36x86x2076)



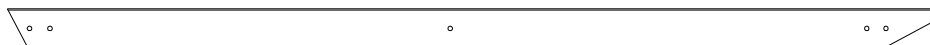
**E3** | BACK LEFT UPRIGHT - W4L14657  
(x1) | 1 3/8"x3 3/8"x81 3/4" (36x86x2076)



**E4** | BACK RIGHT UPRIGHT - W2A02867  
(x1) | 1 3/8"x3 3/8"x81 3/4" (36x86x2076)



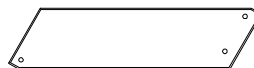
**E50** | END SUPPORT - W4L14651  
(x1) | 1 1/2"x3 1/2"x46" (36x86x1168)



**E77** | ANGLE BRACE - W4L14652  
(x2) | 1 3/8"x3 3/8"x81" (36x86x2056)



**F71** | STANDARD ANGLE BRACE - W4L14658  
(x3) | 1 3/8"x2 3/8"x13" (36x60x330)



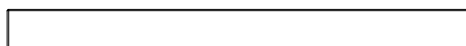
**G1** | WALL RAIL - W4L14659  
(x2) | 1"x5 1/4"x22" (24x134x558)



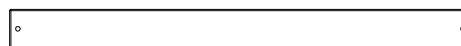
**H1** | LEFT ROOF RAIL - W4L14660  
(x1) | 1"x3 3/8"x60" (24x86x1524)



**H2** | RIGHT ROOF RAIL - W4L14661  
(x1) | 1"x3 3/8"x60" (24x86x1524)



**H3** | FLOOR JOIST - W4L14662  
(x1) | 1"x3 3/8"x40 1/8" (24x86x1018)



**H4** | FLOOR SUPPORT - W4L14663  
(x1) | 1"x3 3/8"x40 1/8" (24x86x1018)



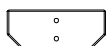
**H5** | SWING BEAM RAIL - W4L14664  
(x1) | 1"x3 3/8"x40 1/8" (24x86x1018)



**H6** | ROOF UPRIGHT - W4L14665  
(x1) | 1"x3 3/8"x24" (24x86x610)



**H7** | BENCH UPRIGHT - W4L14666  
(x2) | 1"x3 3/8"x15" (24x86x380)



**H8** | SEAT SUPPORT - W4L14667  
(x2) | 1"x3 3/8"x8 1/2" (24x86x216)



**H9** | SHELF SUPPORT - W4L14668  
(x2) | 1"x3 3/8"x4 1/2" (24x86x114)



**H10** | FLOOR SUPPORT - W4L14669  
(x1) | 1"x3 3/8"x40 1/8" (24x86x1018)



**H11** | ROOF UPRIGHT - W4L14670  
(x1) | 1"x3 3/8"x55 1/4" (24x86x1404)



**H74** | LEFT UPRIGHT - W4L14645  
(x1) | 1"x3 3/8"x50 3/4" (24x86x1290)



**H75** | RIGHT UPRIGHT - W4L14646  
(x1) | 1"x3 3/8"x50 3/4" (24x86x1290)



**H80** | GROUND BOARD - W4L14653  
(x1) | 1"x3 3/8"x79 1/2" (24x86x2018)



**H81** | ATTACHMENT BOARD - W4L14647  
(x1) | 1"x3 3/8"x18 1/4" (24x86x462)



## Wood Components (Not to Scale)



**J1 | DOOR STOP - W4L14671**  
(x1) | 1"x2 3/8"x2" (24x60x50)



**K1 | GROUND BOARD - W4L14672**  
(x1) | 5/8"x5 1/4"x59" (16x134x1499)



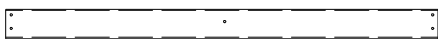
**K2 | GROUND BOARD - W4L14673**  
(x2) | 5/8"x5 1/4"x60 1/2" (16x134x1538)



**K3 | GROUND BOARD - W4L14674**  
(x1) | 5/8"x3 3/8"x47 1/2" (16x86x1205)



**K5 | SERVING SHELF - W4L14676**  
(x1) | 5/8"x5 1/4"x40 1/8" (16x134x1018)



**K92 | RIGHT WALL BOARD - W4L14678**  
(x1) | 3/8"x2 3/4"x37 1/2" (11x70x954)



**K94 | WINDOW CLEAT - W4L14680**  
(x2) | 3/8"x1 1/8"x9 7/8" (11x30x252)



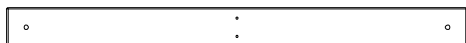
**L2 | ARCHED ROOF BOARD - W4L14682**  
(x1) | 5/8"x4 3/8"x40" (16x112x1016)



**M2 | FLOOR BOARD - W4L14684**  
(x1) | 5/8"x3 3/8"x41 7/8" (16x86x1064)



**M4 | SERVING SHELF SUPPORT - W4L14686**  
(x1) | 5/8"x3 3/8"x40 1/8" (16x86x1018)



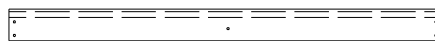
**M6 | FLOOR SUPPORT - W4L14688**  
(x1) | 5/8"x3 3/8"x40" (16x86x1016)



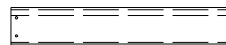
**M8 | BRACE - W4L14690**  
(x2) | 5/8"x3 3/8"x26 5/8" (16x86x676)



**K4 | GROUND BOARD - W4L14675**  
(x1) | 5/8"x5 1/4"x40 1/8" (16x134x1018)



**K91 | LEFT WALL BOARD - W4L14677**  
(x1) | 3/8"x2 3/4"x37 1/2" (11x70x954)



**K93 | WALL BOARD - W4L14679**  
(x10) | 3/8"x3 3/8"x19 1/2" (11x86x495)



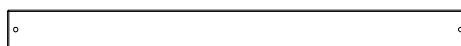
**L1 | ARCHED ROOF BOARD - W4L14681**  
(x1) | 5/8"x4 3/8"x40" (16x112x1016)



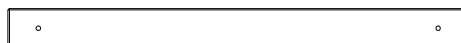
**M1 | END ROOF RAIL - W4L14683**  
(x2) | 5/8"x3 3/8"x41 7/8" (16x86x1064)



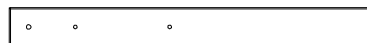
**M3 | WALL BOARD - W4L14685**  
(x2) | 5/8"x3 3/8"x41" (16x86x1040)



**M5 | WALL BOARD - W4L14687**  
(x2) | 5/8"x3 3/8"x40 1/8" (16x86x1018)



**M7 | TOP ROOF RAIL - W4L14689**  
(x1) | 5/8"x3 3/8"x40" (16x86x1016)



**M9 | HANDLE WALL BOARD - W4L14691**  
(x1) | 5/8"x3 3/8"x31 3/4" (16x86x808)



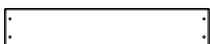
## Wood Components (Not to Scale)



**M10** | WALL BOARD - W4L14692  
(x2) | 5/8"x3 3/8"x30" (16x86x762)



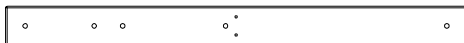
**M12** | WINDOW WALL BOARD - W4L14694  
(x2) | 5/8"x3 3/8"x25" (16x86x634)



**M14** | PICKET - W4L14696  
(x4) | 5/8"x3 3/8"x17 3/4" (16x86x452)



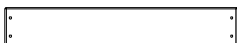
**M16** | WINDOW WALL BOARD - W4L14698  
(x2) | 5/8"x3 3/8"x14" (16x86x356)



**M18** | FLOOR SUPPORT - W4L14700  
(x1) | 5/8"x3 3/8"x40" (16x86x1016)



**M20** | WALL BOARD - W4L14702  
(x1) | 5/8"x3 3/8"x31 3/4" (16x86x808)



**M22** | PICKET - W4L14704  
(x5) | 5/8"x3 3/8"x20 1/8" (16x86x512)



**M78** | CENTER SLIDE BRACE - W4L04712  
(x2) | 5/8"x3 3/8"x14 1/4" (16x86x362)



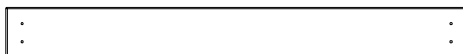
**M104** | LADDER RUNG - W4L14649  
(x4) | 1"x3 3/8"x17 1/8" (24x86x434)



**N2** | WALL BOARD - W4L14706  
(x1) | 5/8"x2 3/8"x41" (16x60x1040)



**N5** | DOOR STOP SUPPORT - W4L14708  
(x1) | 5/8"x2 3/8"x4 7/8" (16x60x125)



**Q1** | BENCH SEAT - W4L14710  
(x2) | 1"x4 3/8"x40 1/8" (24x112x1018)



**M11** | SERVING HEADER - W4L14693  
(x1) | 5/8"x3 3/8"x40 1/8" (16x86x1018)



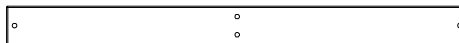
**M13** | WALL RAIL - W4L14695  
(x1) | 5/8"x3 3/8"x19 1/4" (16x86x490)



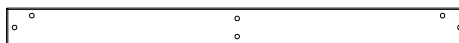
**M15** | WALL RAIL - W4L14697  
(x1) | 5/8"x3 3/8"x16 5/8" (16x86x422)



**M17** | WINDOW WALL BOARD - W4L14699  
(x4) | 5/8"x3 3/8"x6 1/2" (16x86x164)



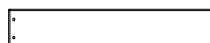
**M19** | WALL BOARD - W4L14701  
(x1) | 5/8"x3 3/8"x40 1/8" (16x86x1018)



**M21** | WALL BOARD - W4L14703  
(x1) | 5/8"x3 3/8"x40 1/8" (16x86x1018)



**M77** | SLIDE BRACE - W4L04711  
(x1) | 5/8"x3 3/8"x14 1/4" (16x86x362)



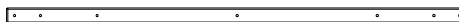
**M103** | REAR SUPPORT - W4L14648  
(x1) | 5/8"x3 3/8"x18 1/4" (16x86x462)



**N1** | HINGE BOARD - W4L14705  
(x2) | 5/8"x2 3/8"x37 3/4" (16x60x958)



**N3** | WALL BOARD - W4L14707  
(x1) | 5/8"x2 3/8"x30" (16x60x762)



**O1** | SAFETY RAIL - W4L14709  
(x1) | 5/8"x1 3/8"x40 1/8" (16x34x1018)



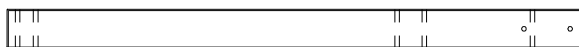
Wood Components (Not to Scale)



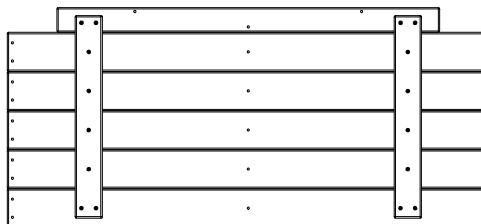
**SB74 | SWING BEAM EXTENDED - W4L14650**  
(x1) | 2"x5 1/4"x89 1/2" (50x134x2274)



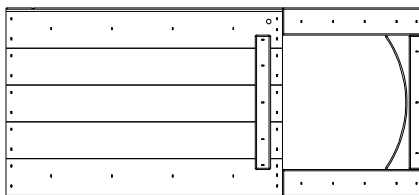
**T1 | SUPPORT RAIL - W4L14711**  
(x2) | 1"x1 3/8"x20" (24x34x507)



**W71 | SWING BEAM SUPPORT - W4L14654**  
(x1) | 2"x3 3/8"x50 3/8" (50x86x1280)



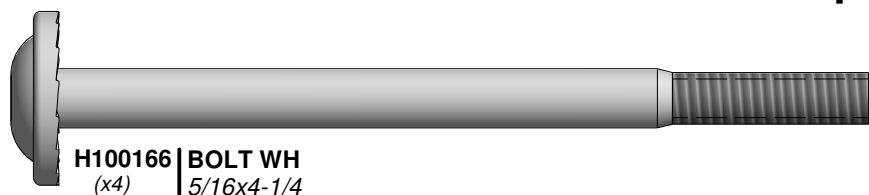
**FP1 | FLOOR PANEL - W2A02865**  
(x2) | 1 1/4"x19 1/8"x41 7/8" (36x485x1064)



**DR1 | DOOR PANEL - W2A02866**  
(x1) | 1 1/2"x16 3/8"x36 3/8" (38x416x924)



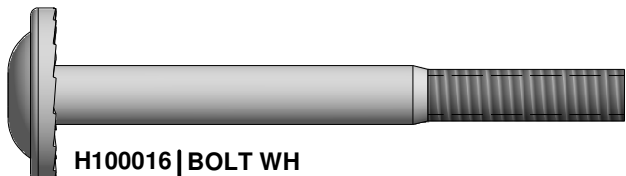
## Hardware Components



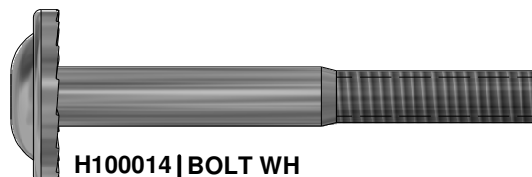
**H100166** | BOLT WH  
(x4) | 5/16x4-1/4



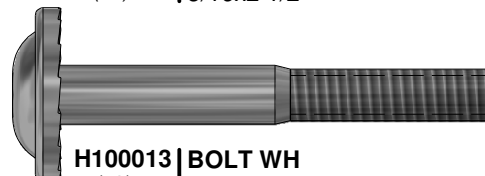
**H100019** | BOLT WH  
(x2) | 5/16x3 3/4



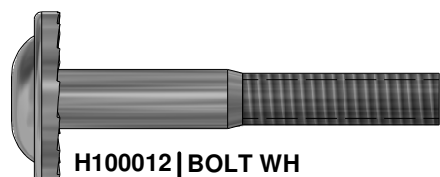
**H100016** | BOLT WH  
(x2) | 5/16x3



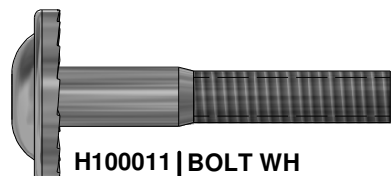
**H100014** | BOLT WH  
(x3) | 5/16x2 1/2



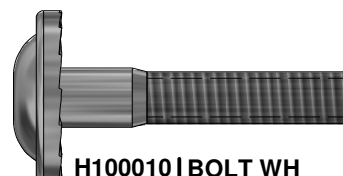
**H100013** | BOLT WH  
(x2) | 5/16x2 1/4



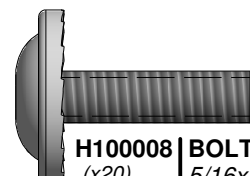
**H100012** | BOLT WH  
(x29) | 5/16x2



**H100011** | BOLT WH  
(x14) | 5/16x1 3/4



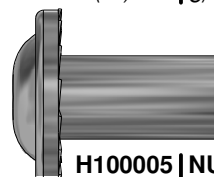
**H100010** | BOLT WH  
(x9) | 5/16x1-1/2



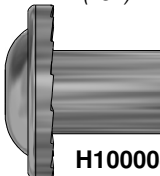
**H100008** | BOLT WH  
(x20) | 5/16x1



**H100006** | NUT BARREL WH  
(x3) | 5/16x1 1/2



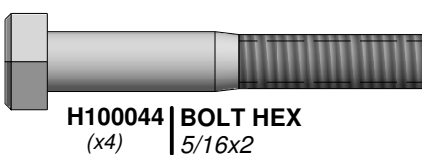
**H100005** | NUT BARREL WH  
(x31) | 5/16x7/8



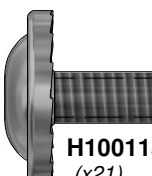
**H100004** | NUT BARREL WH  
(x13) | 5/16 x 5/8



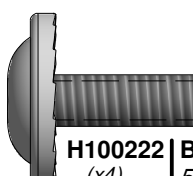
**H100047** | BOLT HEX  
(x2) | 5/16x2 3/4



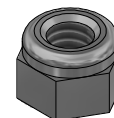
**H100044** | BOLT HEX  
(x4) | 5/16x2



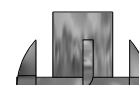
**H100115** | BOLT WH  
(x21) | 5/16x1/2



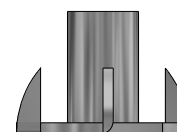
**H100222** | BOLT WH  
(x4) | 5/16x3/4



**H100110** | NUT LOCK  
(x9) | 5/16



**H100072** | T-NUT  
(x4) | 1/4



**H100074** | T-NUT  
(x64) | 5/16



## Hardware Components



**H100090 | SCREW PFH**  
(x33) | 8x2 1/2"



**H100111 | SCREW PFH**  
(x26) | 8x2



**H100089 | SCREW PFH**  
(x13) | 8x1 3/4



**H100086 | SCREW PFH**  
(x95) | 8x1 1/2



**H100087 | SCREW PFH**  
(x2) | 8x1 1/4



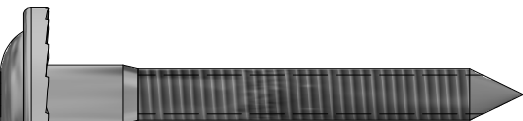
**H100088 | SCREW PFH**  
(x92) | 8x1 1/8



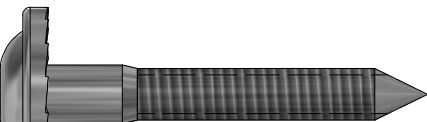
**H100085 | SCREW PFH**  
(x54) | 8x1



**H100124 | SCREW PFH**  
(x4) | 8 x 1/2



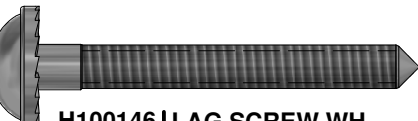
**H100028 | LAG SCREW WH**  
(x20) | 5/16x2 1/2



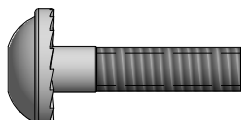
**H100027 | LAG SCREW WH**  
(x11) | 5/16x2



**H100649 | LAG SCREW WH**  
(x1) | 1/4x2 1/2



**H100146 | LAG SCREW WH**  
(x2) | 1/4x2



**H100137 | BOLT WH**  
(x2) | 1/4x1



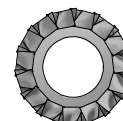
**H101027 | BOLT WH**  
(x2) | 1/4x1-3/4



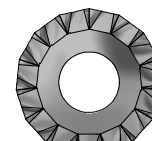
**H100128 | SCREW PWH**  
(x19) | 8x5/8



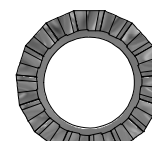
**H100070 | SCREW PWH**  
(x9) | 8x3/4



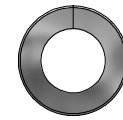
**H100138 | WASHER LOCK EXT**  
(x8) | 6x15



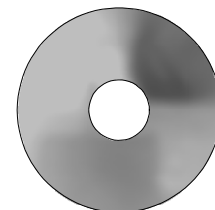
**H100030 | WASHER LOCK EXT**  
(x95) | 8x19



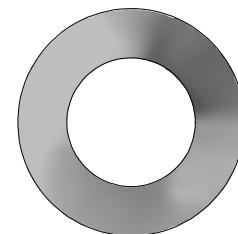
**H100031 | WASHER LOCK EXT**  
(x41) | 12x19



**H100095 | WASHER SPLIT**  
(x4) | 5/16



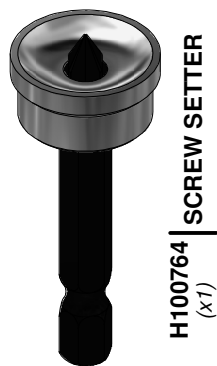
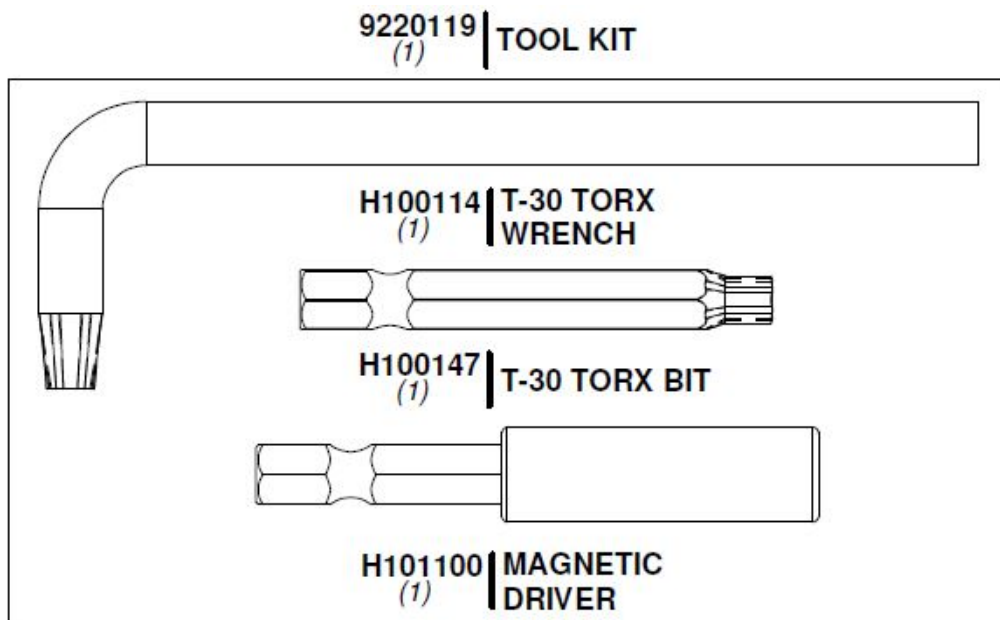
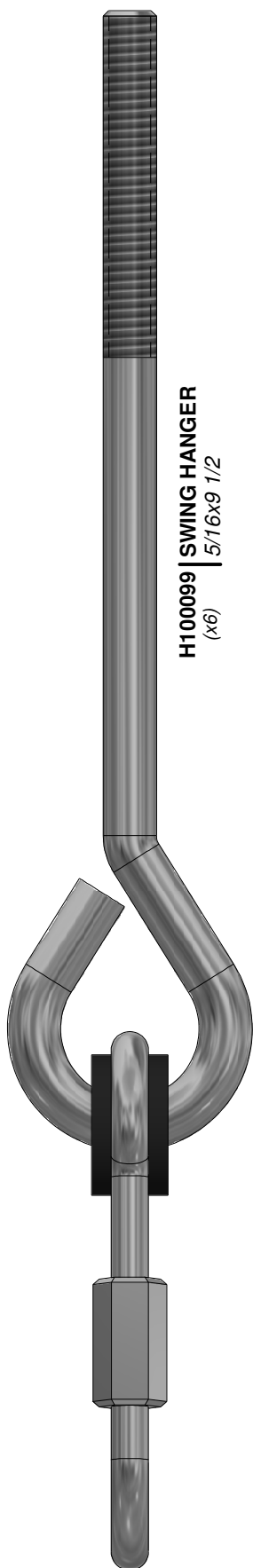
**H100105 | WASHER FLAT**  
(x15) | 8x27

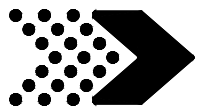


**H100103 | WASHER SAFETY**  
(x7) | 17x30

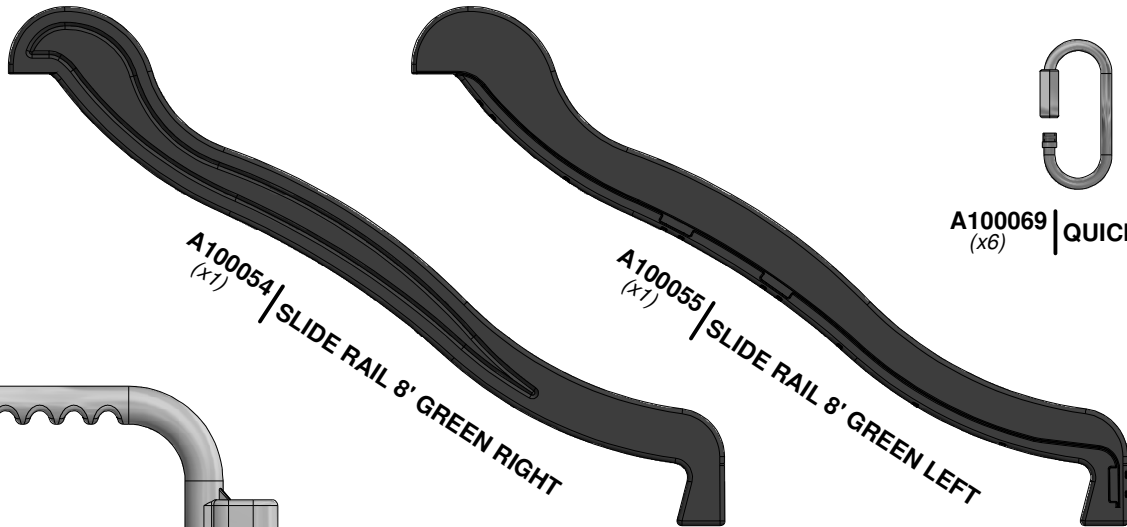


Hardware Components





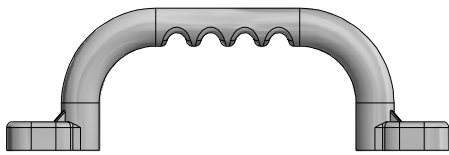
Accessory Components (Not to Scale)



A100054 (x1) | SLIDE RAIL 8' GREEN RIGHT

A100055 (x1) | SLIDE RAIL 8' GREEN LEFT

A100069 (x6) | QUICK LINK



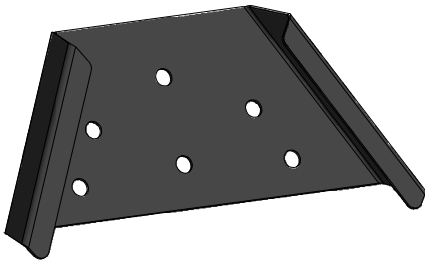
A6P00303 (x2) | HAND GRIP YELLOW PLASTIC



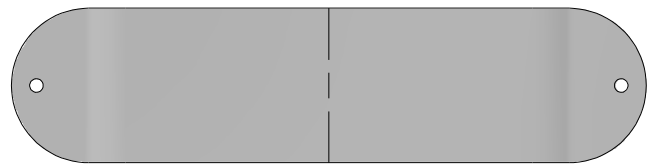
A100177 (x2) | CHAIN GREEN 31"



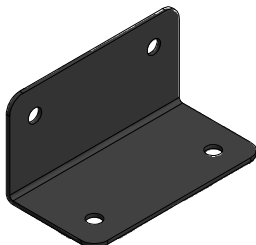
A100068 (x4) | CHAIN GREEN 51.25"



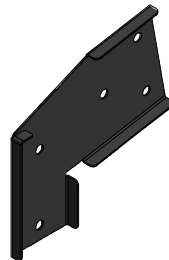
A4M01169 (x1) | A-FRAME BRACKET



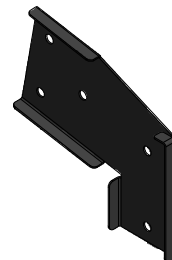
A100171 (x2) | SWING SEAT YELLOW 22"



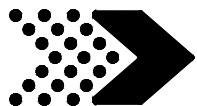
A100140 (x2) | L BRACKET 66x66x127



A100325 (x1) | SWING BEAM EXTENSION BRACKET-LEFT



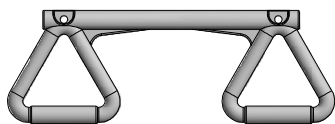
A100326 (x1) | SWING BEAM EXTENSION BRACKET-RIGHT



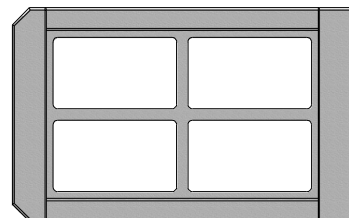
Accessory Components (Not to Scale)



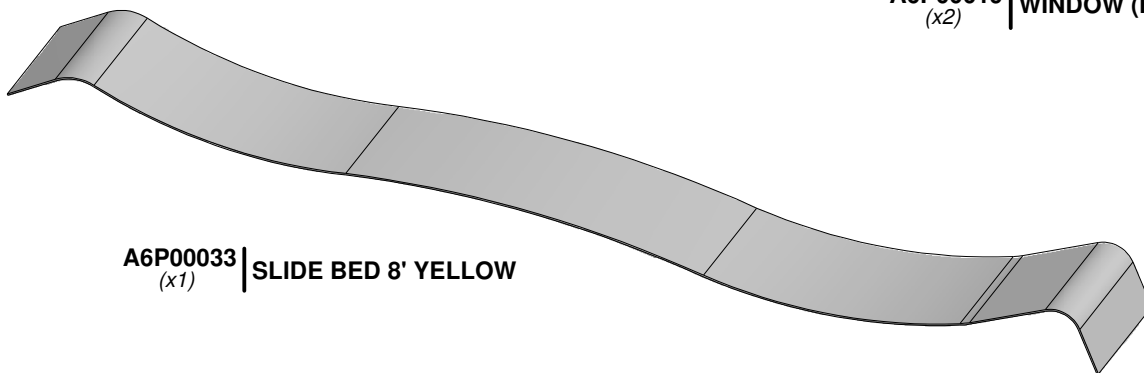
A100314 (x1) | "A" REVISION TAG



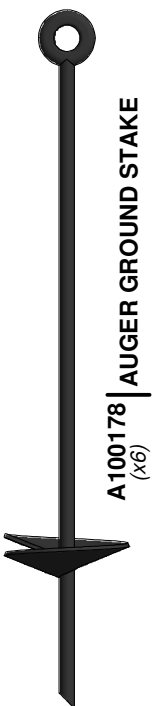
A6P00034 (x1) | TRAPEZE YELLOW



A6P00019 (x2) | WINDOW (FLAT PACK)



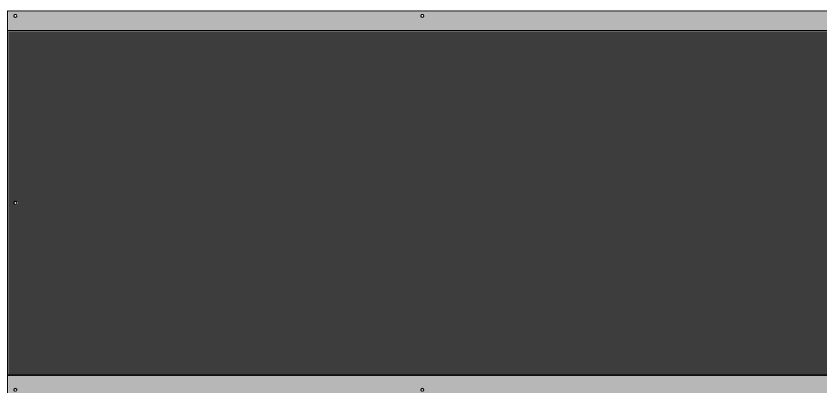
A6P00033 (x1) | SLIDE BED 8' YELLOW



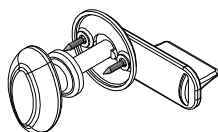
A100178 (x6) | AUGER GROUND STAKE



A4M01046 (x8) | L BRACKET 2.5x38x55x55



A6P00035 (x1) | TARP .32x1014x2195



A6P00020 (x1) | LATCHING KNOB KIT



A100164 (x1) | BYD ID TAG (LARGE) AGES 3-10

# PRE-ASSEMBLY STEP 1 - SORTING PARTS

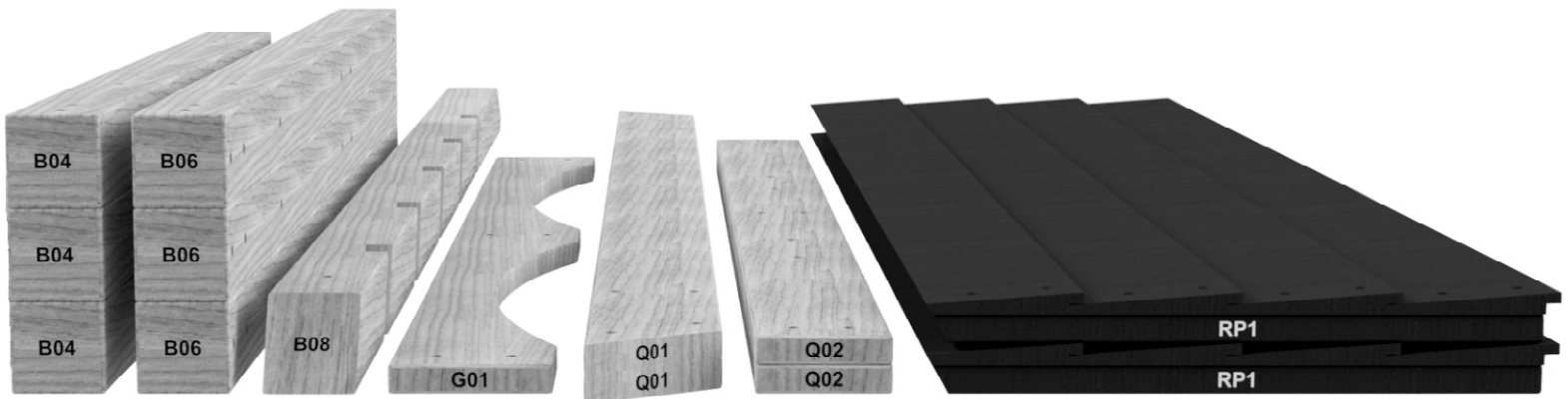
It is critical for ease of assembly that you take the time to sort and organize the wood and hardware.

---

## WOOD PARTS:

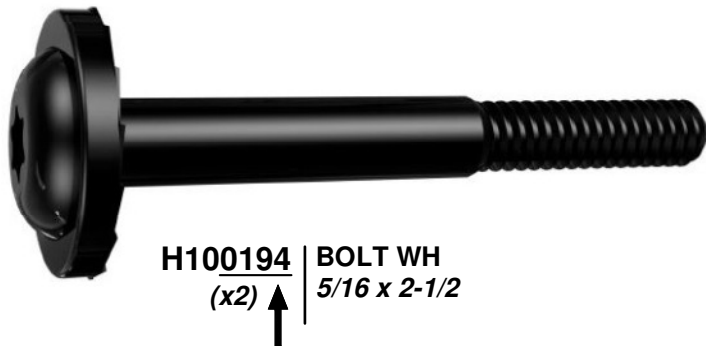
- Organize wood parts by the three-digit, alpha-numeric number stamped on each board (ex. P01).
- If there are multiple boards with the same stamped number, stack those pieces together.
- Stamps can be found on the flat surface of the boards or on the end of the boards.
- Allow yourself plenty of room - the wood pieces can take up a significant amount of space.

**NOTE: CARTONS ARE NOT ORGANIZED BY BOARD NUMBER.**



## HARDWARE PARTS:

- We recommend that you have a separate table to organize the hardware.
- Hardware bags are printed with a seven-digit, alpha-numeric part number.
- You can organize your hardware by part number or group by hardware type (i.e. bolts, nuts, etc.).
- During assembly you only need to reference the last four digits of the number.



# PRE-ASSEMBLY STEP 2 - TOOLS REQUIRED



**Cordless Drill or  
Electric Drill**



**Drill Attachments:  
Phillips Head**



**1/8", 3/16", 3/8" & 7/16"  
Drill Bits**



**Phillips Screw Driver**



**Open End Wrenches 1/2" & 9/16"**



**3/8" Drive Ratchet, 1/2" &  
9/16" STD Sockets 1/2" & 9/16" Deep  
Sockets**



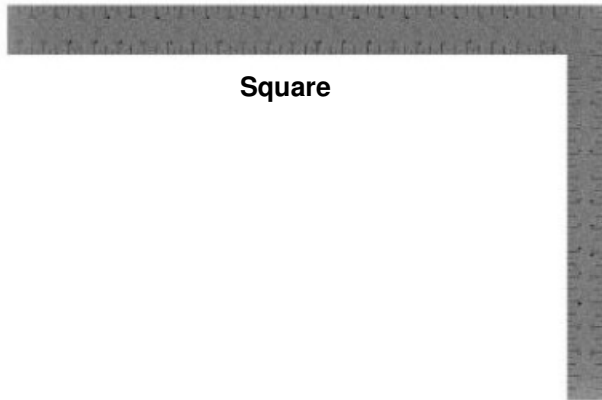
**Claw Hammer**



**Rubber Mallet - Optional**



**Tape Measure**



**Square**

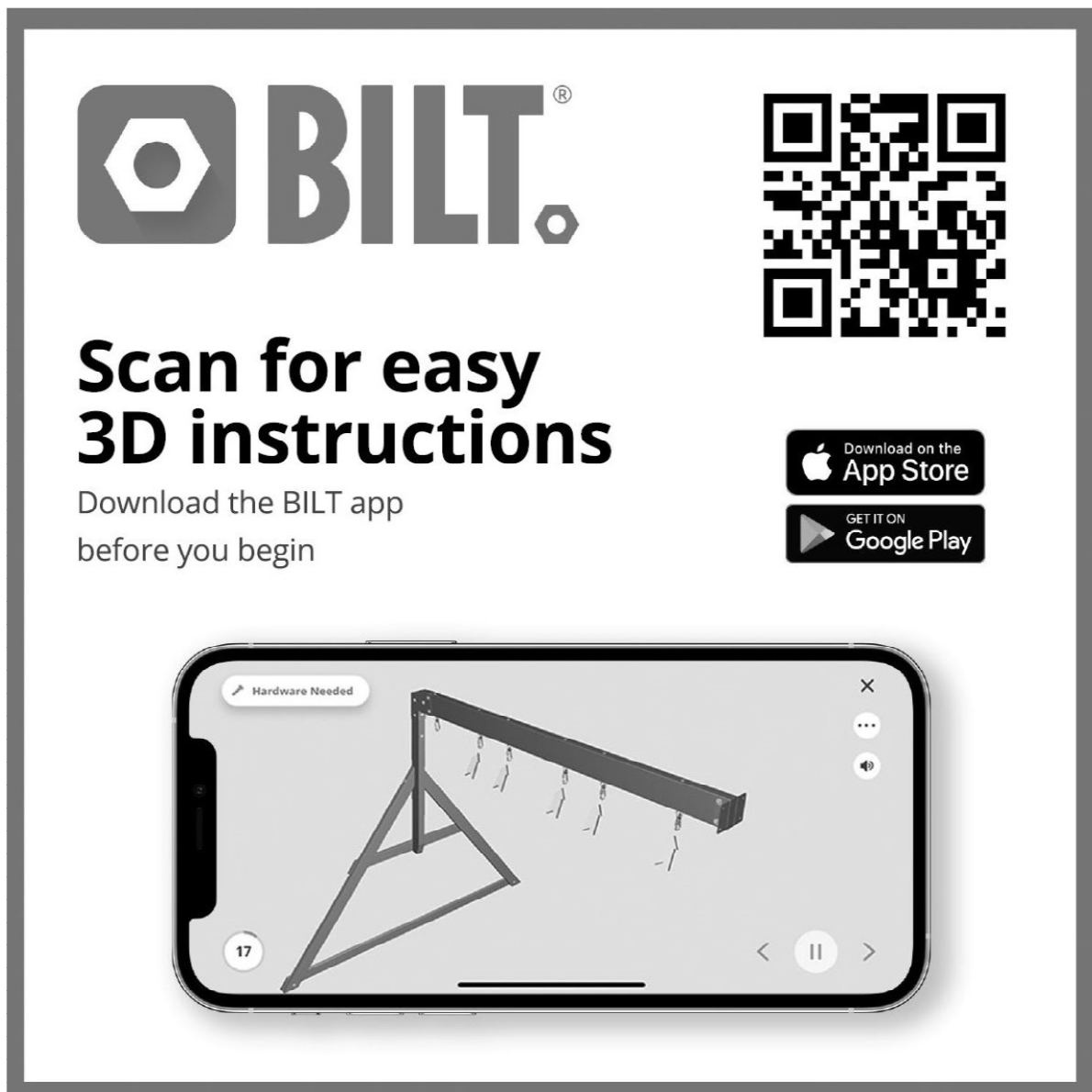


**Level 24"**

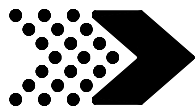
# PRE-ASSEMBLY STEP 3 - CHOOSE YOUR ASSEMBLY METHOD

There are several types of assembly instructions available to you.

1. **Printed Assembly Manual** included with your set
2. **BILT APP** - 3D interactive instructions
3. **Combination of the Printed Manual and BILT APP** (Note: Step numbers can differ between the two methods)



The advertisement features the BILT logo on the left, a QR code on the right, and the text "Scan for easy 3D instructions" in the center. Below the text are buttons for "Download on the App Store" and "GET IT ON Google Play". At the bottom, a smartphone displays a 3D assembly instruction for step 17, showing a metal frame with a horizontal beam and several hanging components. The phone screen also shows a "Hardware Needed" button and navigation controls.



# LADDER ASSEMBLY

# STEP 1



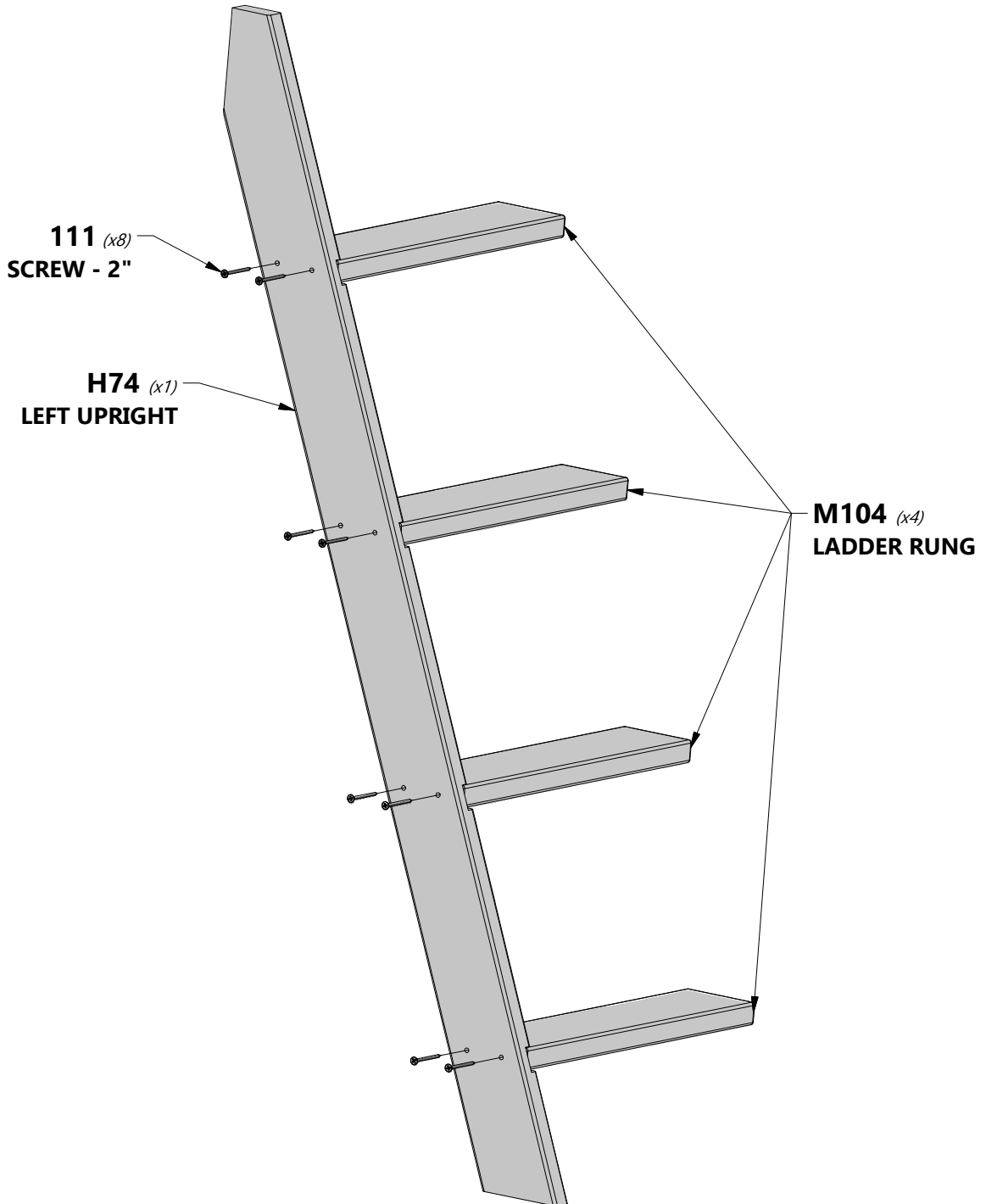
**H74** | **LEFT UPRIGHT - W4L14645**  
(x1) | 1"x3 3/8"x50 3/4" (24x86x1290)

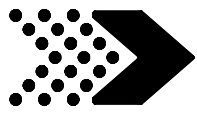


**M104** | **LADDER RUNG - W4L14649**  
(x4) | 1"x3 3/8"x17 1/8" (24x86x434)



**H100111** | **SCREW PFH**  
(x8) | 8x2





# LADDER ASSEMBLY

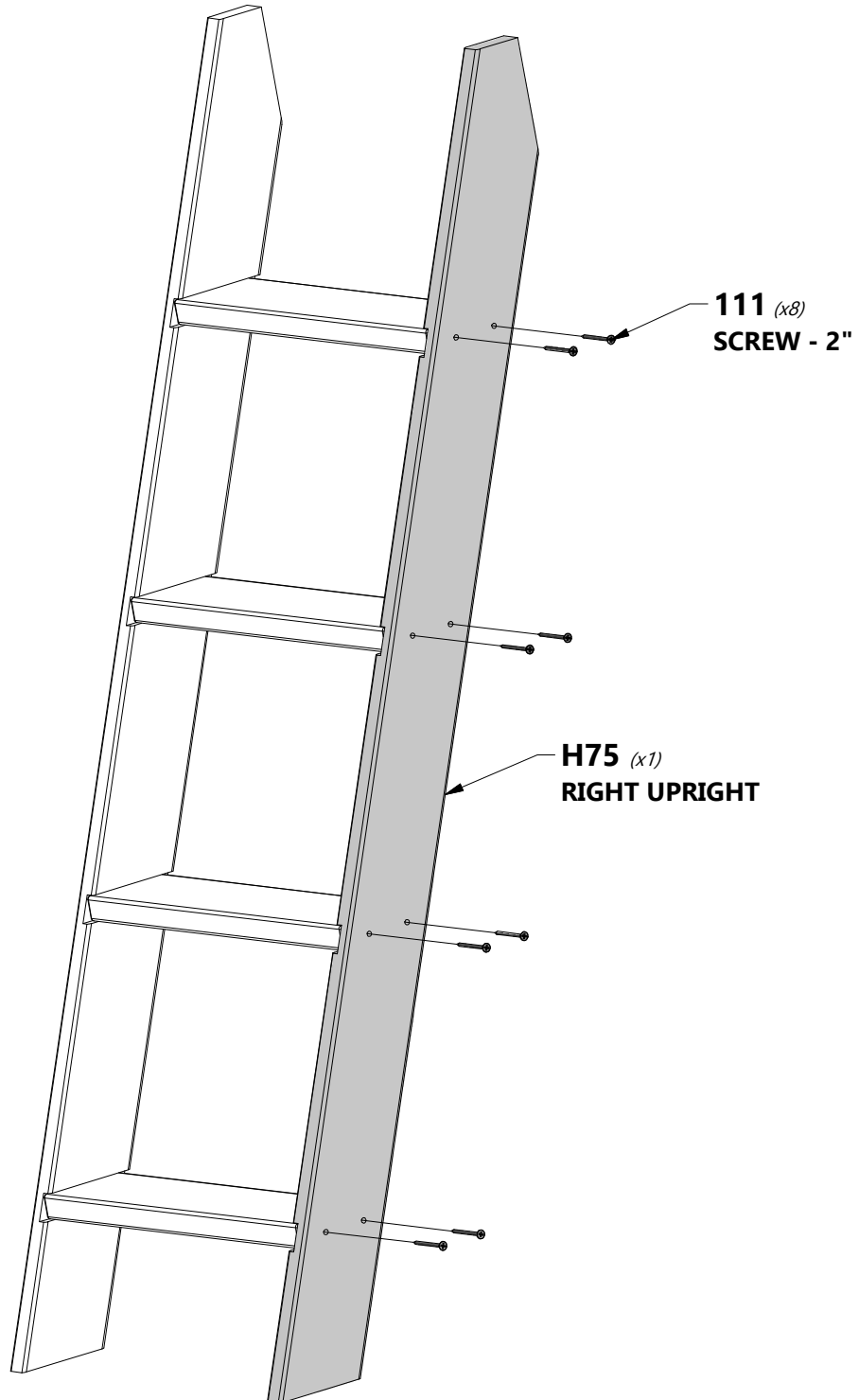
# STEP 2

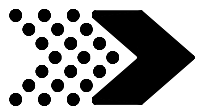


**H75** | **RIGHT UPRIGHT - W4L14646**  
(x1) | 1"x3 3/8"x50 3/4" (24x86x1290)



**H100111** | **SCREW PFH**  
(x8) | 8x2

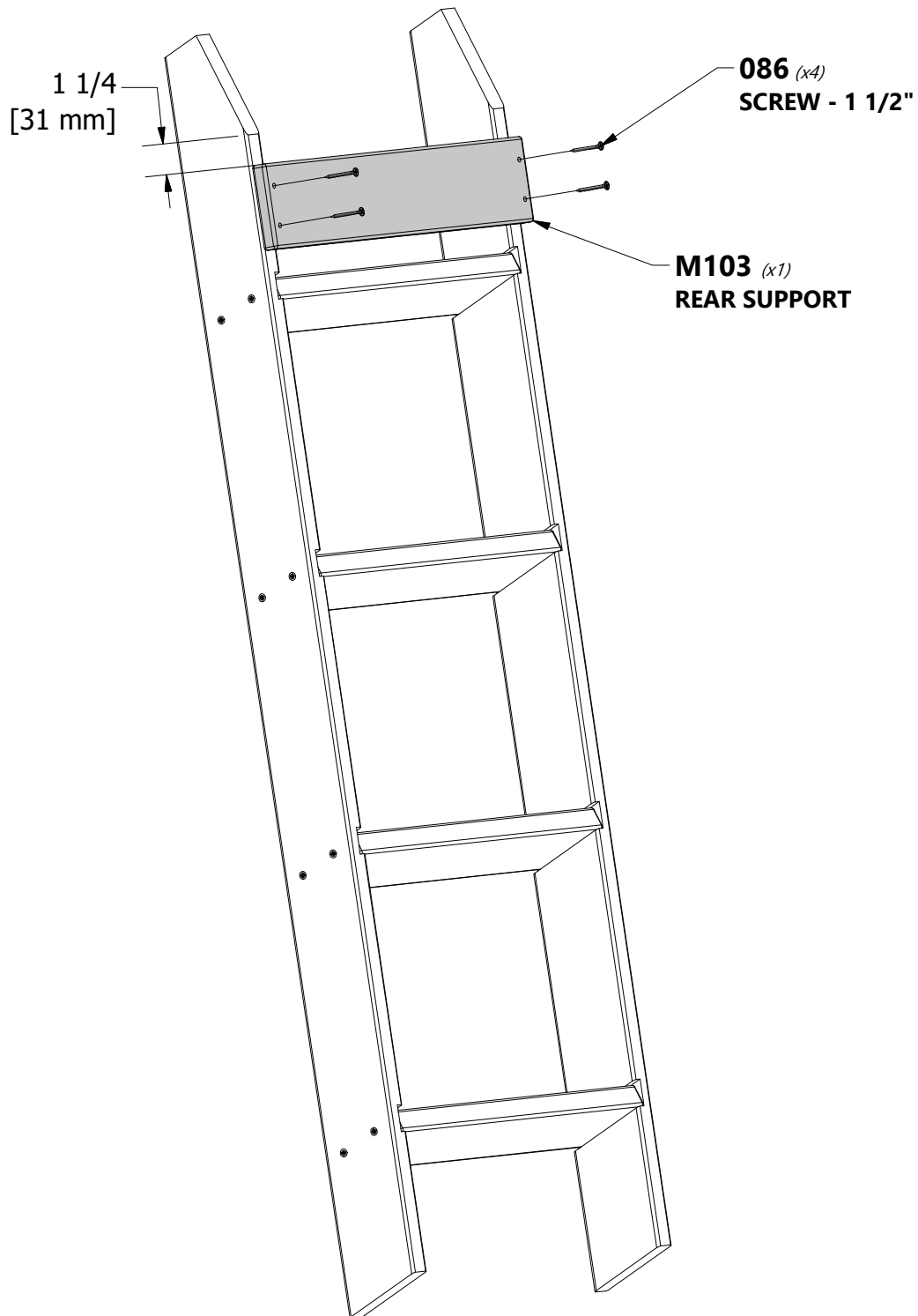


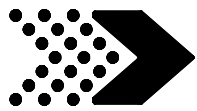


**M103** | REAR SUPPORT - W4L14648  
(x1) | 5/8"x3 3/8"x18 1/4" (16x86x462)



**H100086** | SCREW PFH  
(x4) | 8x1 1/2

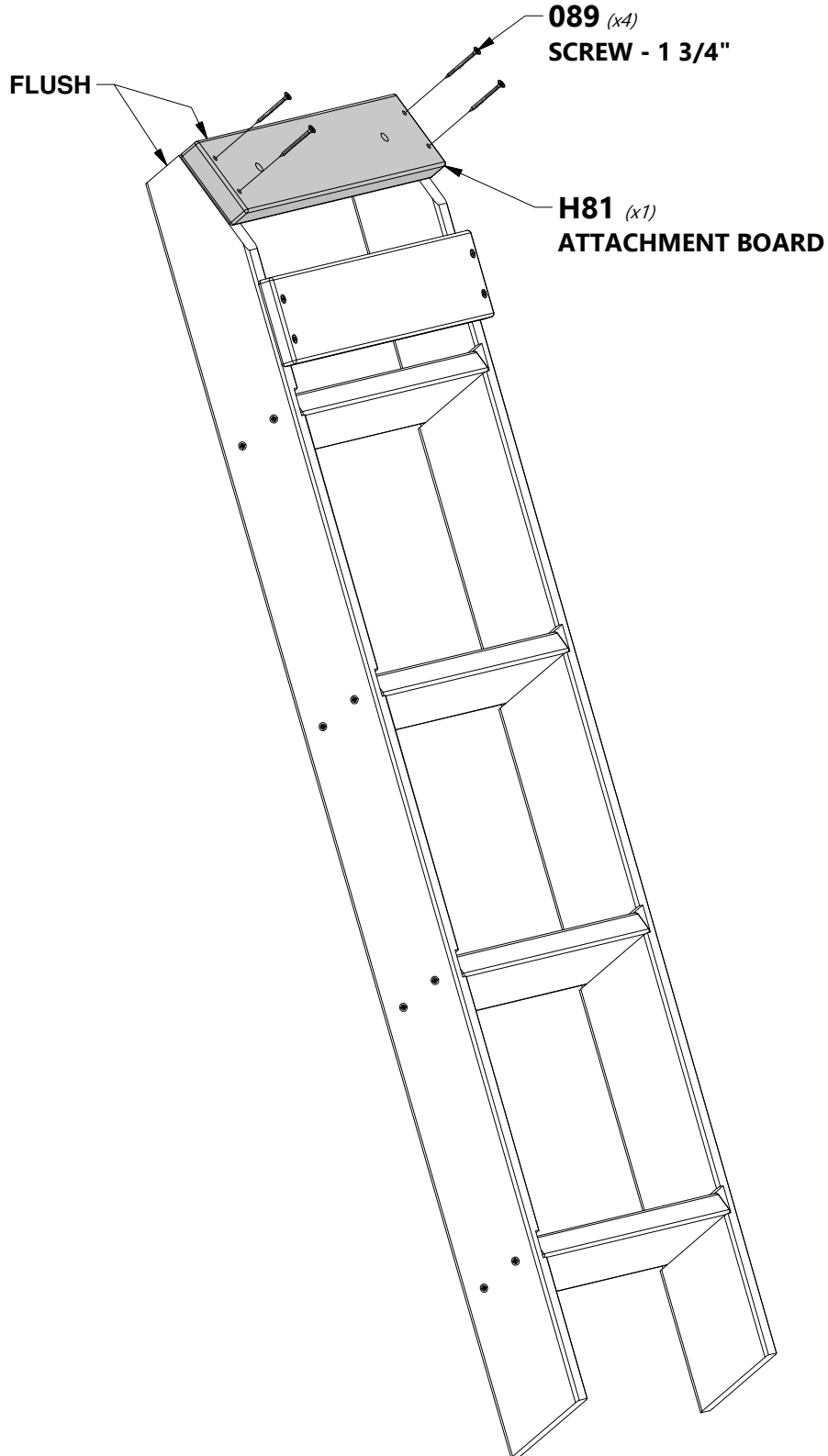


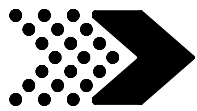


**H81 | ATTACHMENT BOARD - W4L14647**  
(x1) | 1"x3 3/8"x18 1/4" (24x86x462)



**H100089 | SCREW PFH**  
(x4) | 8x1 3/4



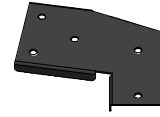


# SWING BEAM ASSEMBLY

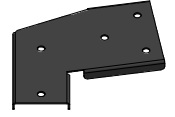
## STEP 1



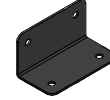
**SB74** | SWING BEAM EXTENDED - W4L14650  
(x1) | 2"x5 1/4"x89 1/2" (50x134x2274)



**A100325** | SWING BEAM  
EXTENSION  
BRACKET-LEFT  
(x1)



**A100326** | SWING BEAM  
EXTENSION  
BRACKET-RIGHT  
(x1)



**A100140** | L BRACKET  
(x2) | 66x66x127



**H100047** | BOLT HEX  
(x2) | 5/16x2 3/4



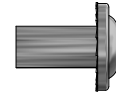
**H100105** | WASHER FLAT  
(x4) | 8x27



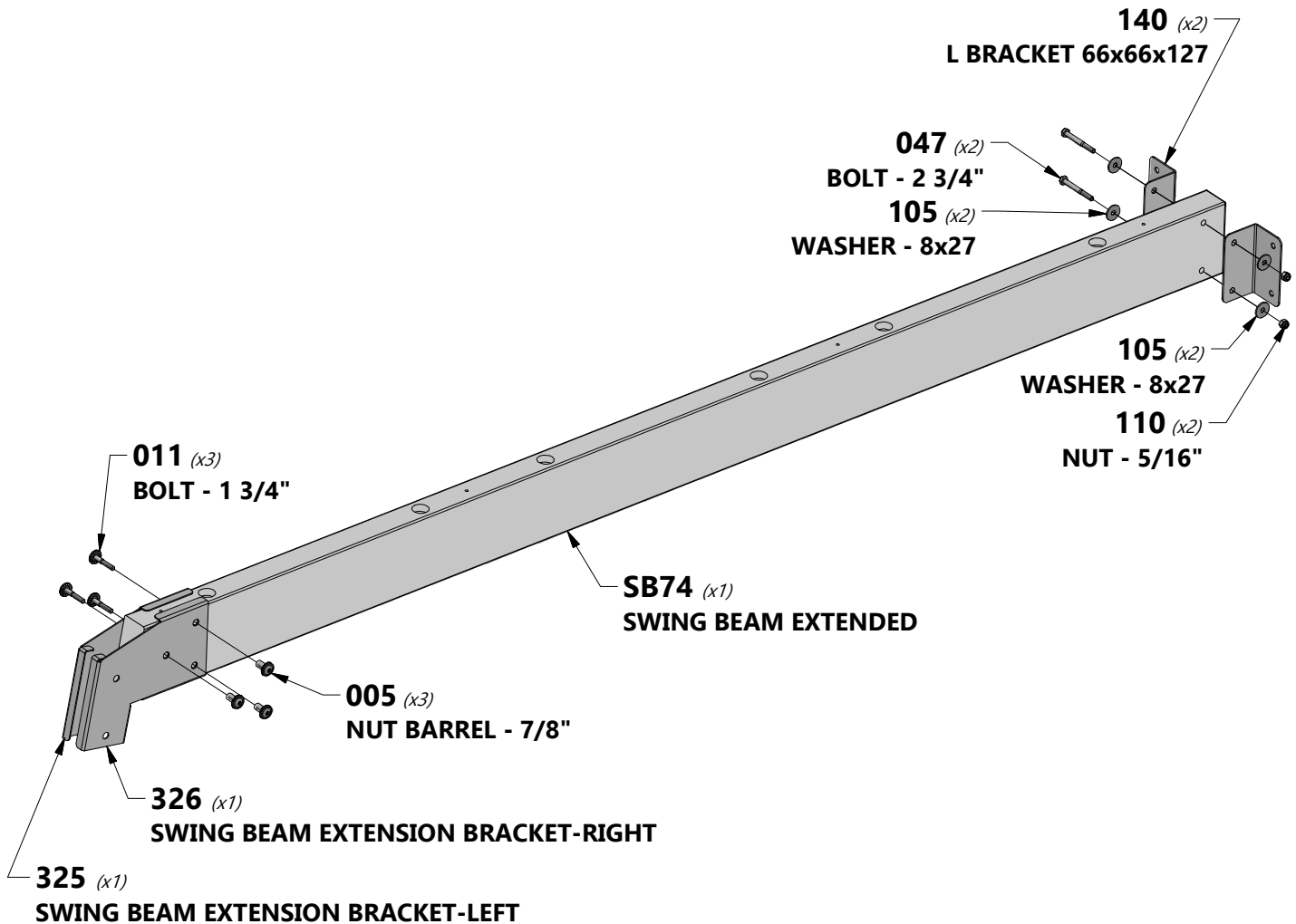
**H100110** | NUT LOCK  
(x2) | 5/16

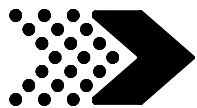


**H100011** | BOLT WH  
(x3) | 5/16x1 3/4



**H100005** | NUT BARREL WH  
(x3) | 5/16x7/8



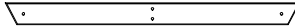


# SWING BEAM ASSEMBLY

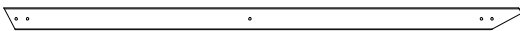
## STEP 2



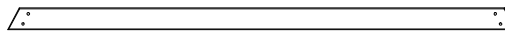
**W71** | SWING BEAM SUPPORT - W4L14654  
(x1) | 2"x3 3/8"x50 3/8" (50x86x1280)



**E50** | END SUPPORT - W4L14651  
(x1) | 1 1/2"x3 1/2"x46" (36x86x1168)



**E77** | ANGLE BRACE - W4L14652  
(x2) | 1 3/8"x3 3/8"x81" (36x86x2056)



**H80** | GROUND BOARD - W4L14653  
(x1) | 1"x3 3/8"x79 1/2" (24x86x2018)



**A4M01169** | A-FRAME BRACKET  
(x1)



**H100019** | BOLT WH  
(x2) | 5/16x3 3/4



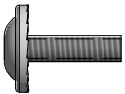
**H100016** | BOLT WH  
(x2) | 5/16x3



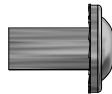
**H100014** | BOLT WH  
(x2) | 5/16x2 1/2



**H100012** | BOLT WH  
(x4) | 5/16x2



**H100008** | BOLT WH  
(x4) | 5/16x1



**H100005** | NUT BARREL WH  
(x12) | 5/16x7/8



**H100006** | NUT BARREL WH  
(x2) | 5/16x1 1/2



**H100030** | WASHER LOCK EXT  
(x8) | 8x19

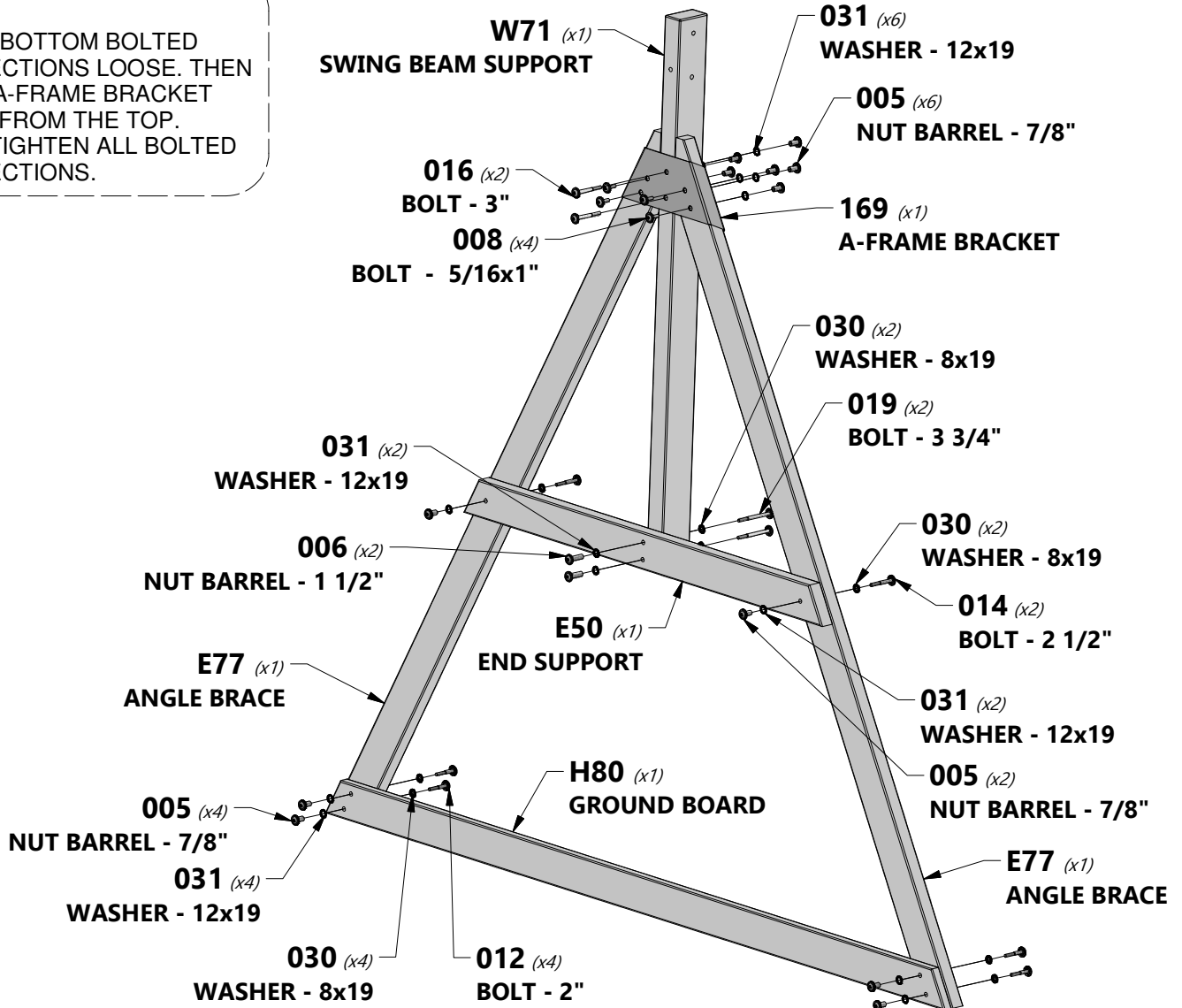


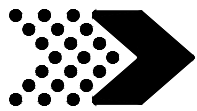
**H100031** | WASHER LOCK EXT  
(x14) | 12x19



### TIP:

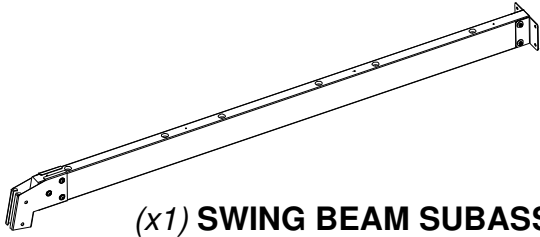
LEAVE BOTTOM BOLTED CONNECTIONS LOOSE. THEN SLIDE A-FRAME BRACKET DOWN FROM THE TOP. THEN TIGHTEN ALL BOLTED CONNECTIONS.



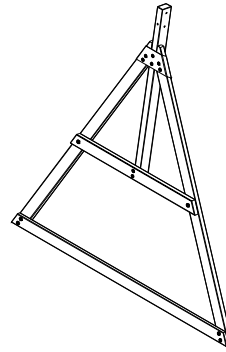


# SWING BEAM ASSEMBLY

## STEP 3



(x1) SWING BEAM SUBASSEMBLY



(x1) SWING BEAM END SUBASSEMBLY



H100014 | BOLT WH  
(x1) | 5/16x2 1/2



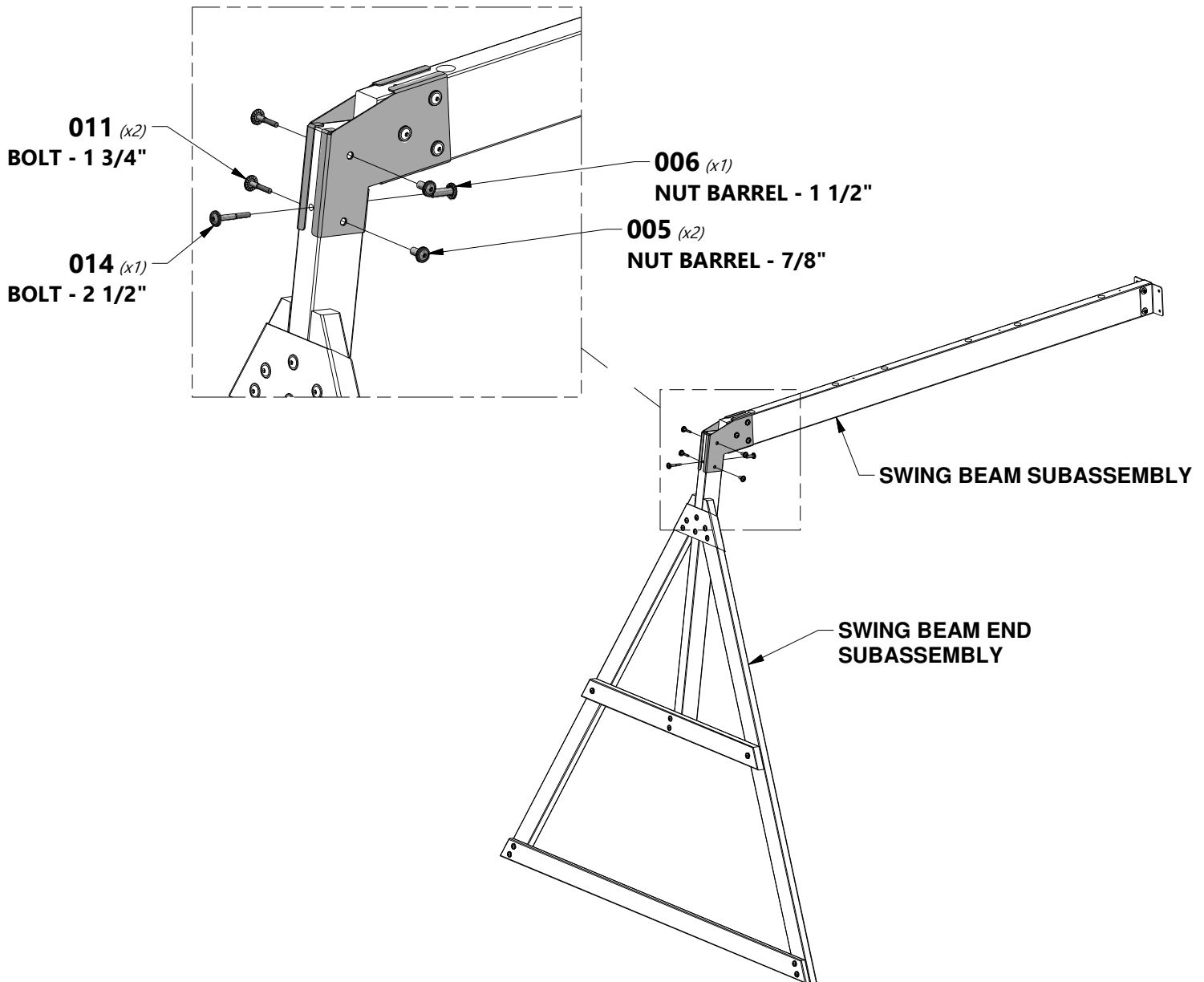
H100011 | BOLT WH  
(x2) | 5/16x1 3/4

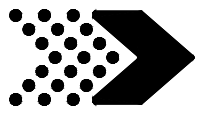


H100005 | NUT BARREL WH  
(x2) | 5/16x7/8



H100006 | NUT BARREL WH  
(x1) | 5/16x1 1/2



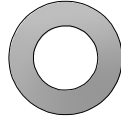


# SWING BEAM ASSEMBLY

## STEP 4



**H100099 | SWING HANGER**  
(x6) | 5/16x9 1/2



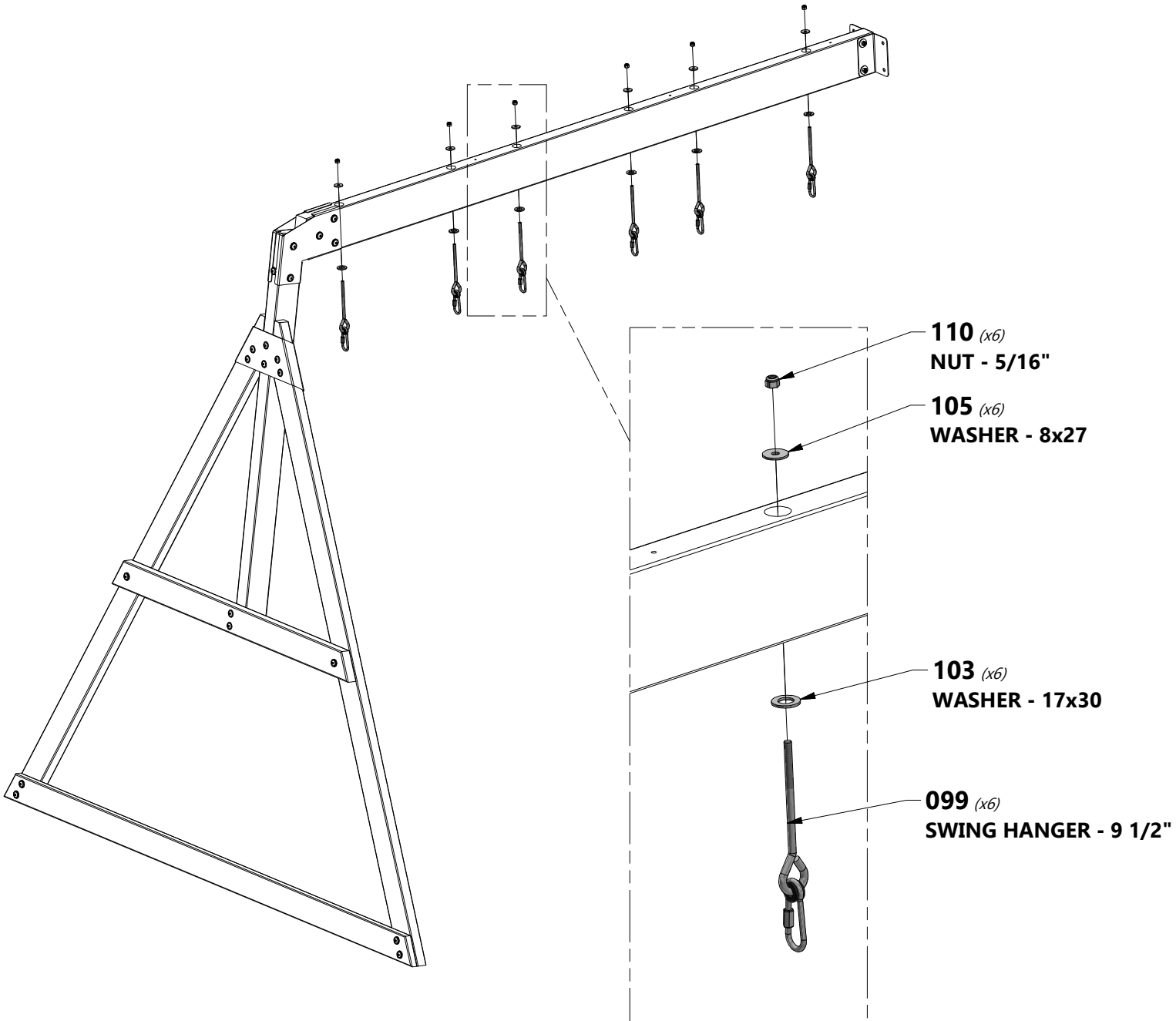
**H100103 | WASHER SAFETY**  
(x6) | 17x30



**H100105 | WASHER FLAT**  
(x6) | 8x27



**H100110 | NUT LOCK**  
(x6) | 5/16

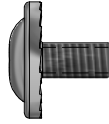




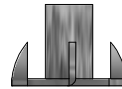
**A6P00033** | SLIDE BED 8' YELLOW  
(x1)



**M77** | SLIDE SUPPORT BOARD - W4L04711  
(x1) | 5/8"x3 3/8"x14 1/4" (16x86x362)



**H100115** | BOLT WH  
(x2) | 5/16x1/2

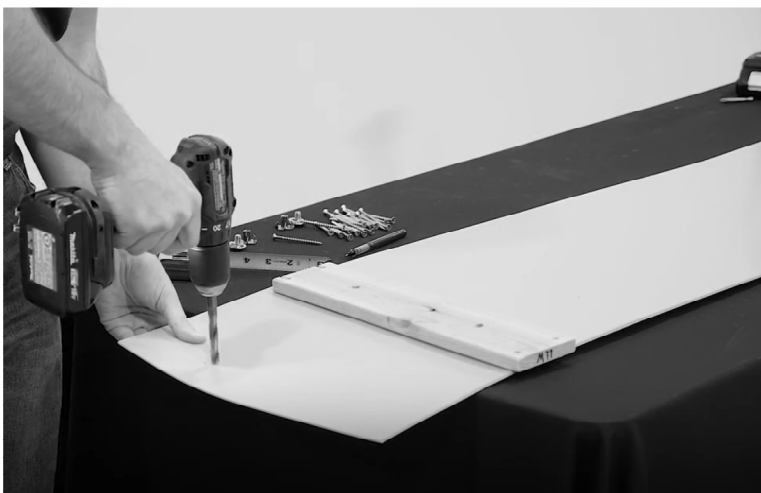
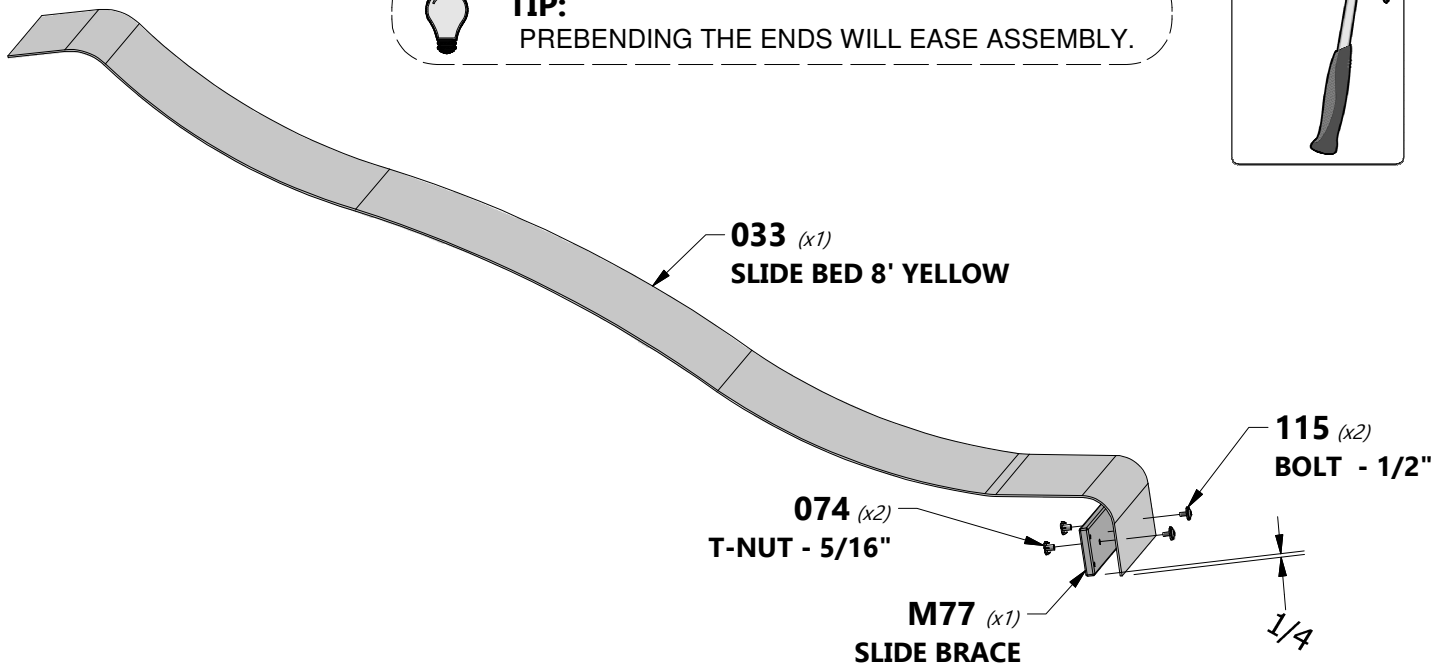
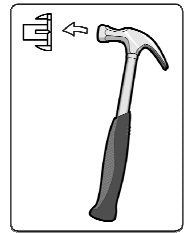


**H100074** | T-NUT  
(x2) | 5/16

PLACE 'M77' SLIDE BRACE BOARD 1/4" FROM THE BOTTOM EDGE OF THE SLIDE BED. USING THE BOARD AS A TEMPLATE, MARK WHERE THE PILOT HOLES WILL BE DRILLED. USE A 3/8" DRILL BIT TO DRILL THE PILOT HOLES INTO THE SLIDE BED. ATTACH THE SLIDE BED SUPPORT BOARD USING THE HARDWARE PROVIDED.



**TIP:**  
PREBENDING THE ENDS WILL EASE ASSEMBLY.





**M78** | CENTER SLIDE BRACE - W4L04712  
(x2) | 5/8"x3 3/8"x14 1/4" (16x86x362)



**A100055** | SLIDE RAIL 8' GREEN LEFT  
(x1)



**A100054** | SLIDE RAIL 8' GREEN RIGHT  
(x1)



**H100090** | SCREW PFH  
(x24) | 8x2 1/2"



### NOTE:

USING A 1/8" DRILL BIT, DRILL PILOT HOLES IN EACH INDENTATION ALONG EACH SIDE RAIL. THERE SHOULD BE 12 INDENTIONS ON EACH RAIL.

PLACE THE SLIDE RAIL ON FLAT SURFACE. STARTING AT THE BOTTOM, INSERT THE SLIDE BED INTO THE CHANNEL ON THE INSIDE OF THE RAIL. HOLD THE SLIDE BED IN PLACE WHILE A HELPER BENDS THE SLIDE BED INTO THE CHANNEL. MAKE SURE THE SLIDE BED IS COMPLETELY INSERTED INTO THE CHANNEL.

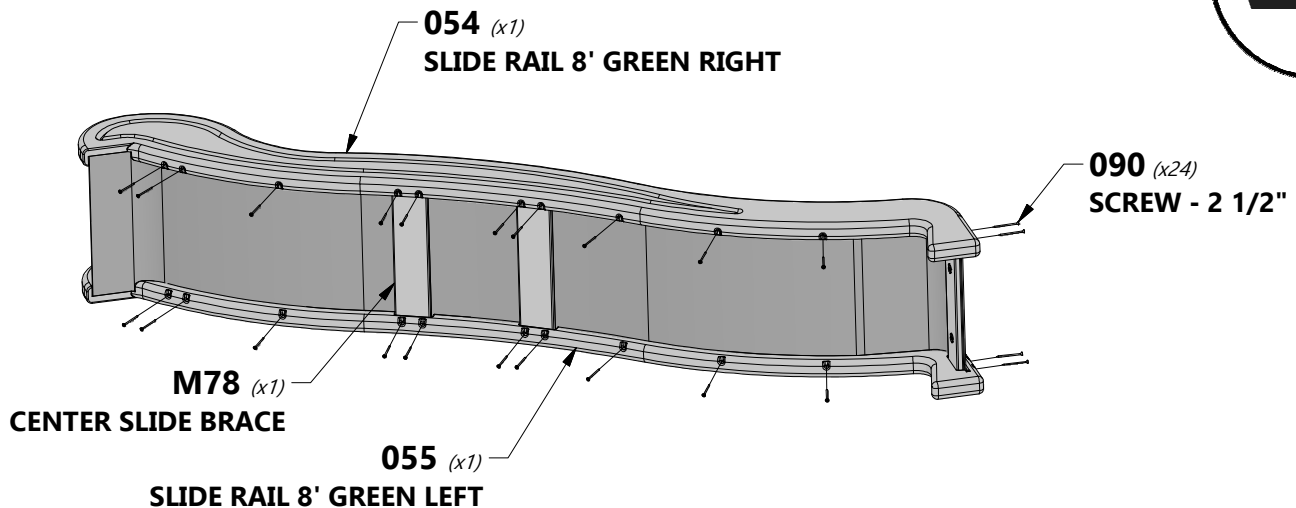
INSERT THE CENTER SLIDE BRACE INTO THE RESPECTIVE LOCATION. SECURE THE SLIDE BED AND CENTER USING THE PROVIDED HARDWARE.

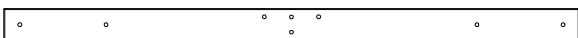
**REPEAT THIS PROCESS FOR THE OPPOSITE SLIDE RAIL.**



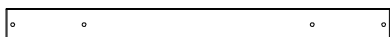
### TIP:

A HELPER IS REQUIRED FOR THIS STEP.





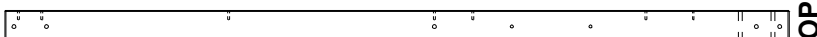
**H1** | LEFT ROOF RAIL - W4L14660  
(x1) | 1"x3 3/8"x60" (24x86x1524)



**H10** | FLOOR SUPPORT - W4L14669  
(x1) | 1"x3 3/8"x40 1/8" (24x86x1018)



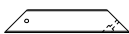
**K1** | GROUND BOARD - W4L14672  
(x1) | 5/8"x5 1/4"x59" (16x134x1499)



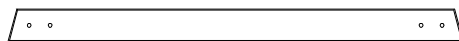
**E3** | BACK LEFT UPRIGHT - W4L14657  
(x1) | 1 3/8"x3 3/8"x81 3/4" (36x86x2076)



**E1** | FRONT LEFT UPRIGHT - W4L14655  
(x1) | 1 3/8"x3 3/8"x81 3/4" (36x86x2076)



**F71** | STANDARD ANGLE BRACE - W4L14658  
(x2) | 1 3/8"x2 3/8"x13" (36x60x330)



**K3** | GROUND BOARD - W4L14674  
(x1) | 5/8"x3 3/8"x47 1/2" (16x86x1205)



**H100166** | BOLT WH  
(x2) | 5/16x4-1/4



**H100013** | BOLT WH  
(x2) | 5/16x2 1/4



**H100028** | LAG SCREW WH  
(x8) | 5/16x2 1/2



**H100146** | LAG SCREW WH  
(x2) | 1/4x2



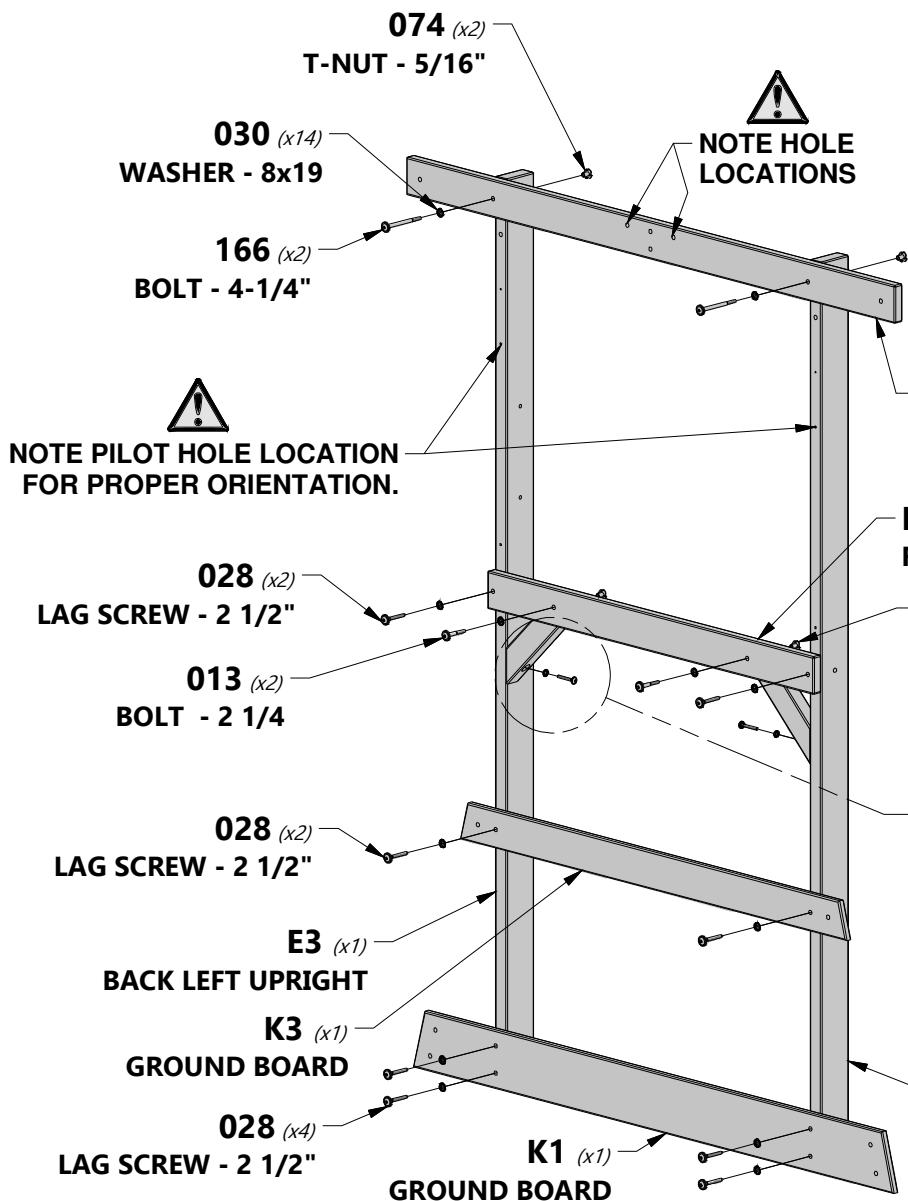
**H100030** | WASHER LOCK EXT  
(x12) | 8x19



**H100074** | T-NUT  
(x4) | 5/16



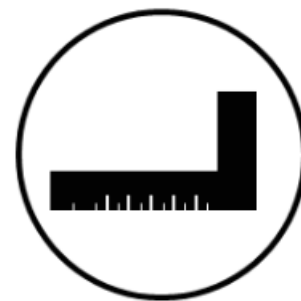
**H100138** | WASHER LOCK EXT  
(x2) | 6x15

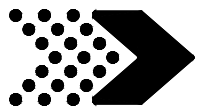


**NOTE:**  
INSTALL T-NUTS INTO BOARDS BEFORE BOARD ASSEMBLY.

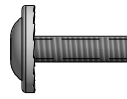


**TIP:**  
SAW HORSES ARE RECOMMENDED FOR EASE OF ASSEMBLY.





**M8 BRACE - W4L14690**  
(x2) | 5/8"x3 3/8"x26 5/8" (16x86x676)



**H100008 | BOLT WH**  
(x6) | 5/16x1



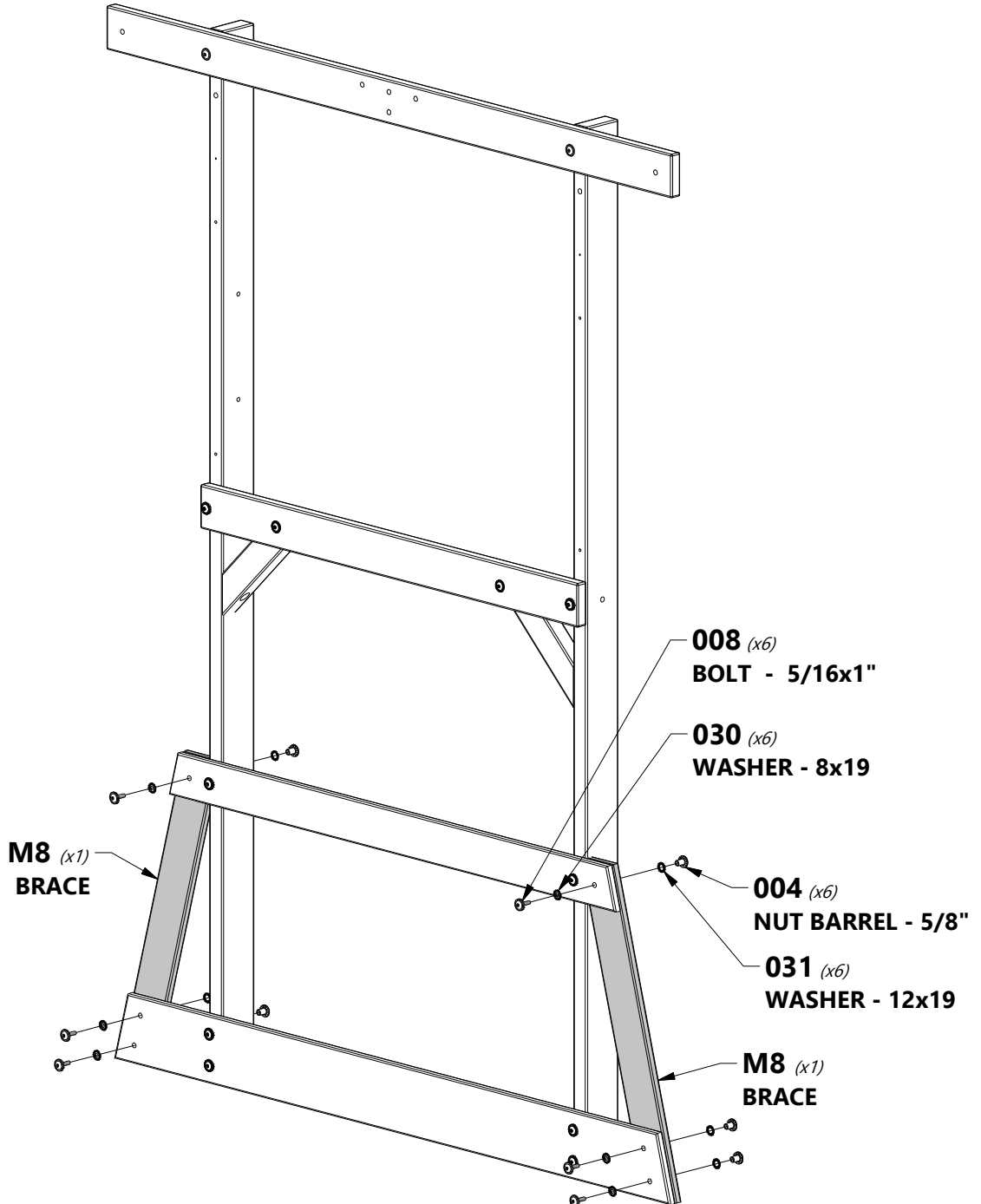
**H100030 | WASHER LOCK  
EXT**  
(x6) | 8x19



**H100004 | NUT BARREL WH**  
(x6) | 5/16 x 5/8

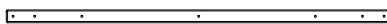


**H100031 | WASHER LOCK  
EXT**  
(x6) | 12x19





**H5** | SWING BEAM RAIL - W4L14664  
(x1) | 1"x3 3/8"x40 1/8" (24x86x1018)



**O1** | SAFETY RAIL - W4L14709  
(x1) | 5/8"x1 3/8"x40 1/8" (16x34x1018)



**M21** | WALL BOARD - W4L14703  
(x1) | 5/8"x3 3/8"x40 1/8" (16x86x1018)



**H100166** | BOLT WH  
(x2) | 5/16x4-1/4



**H100027** | LAG SCREW WH  
(x2) | 5/16x2



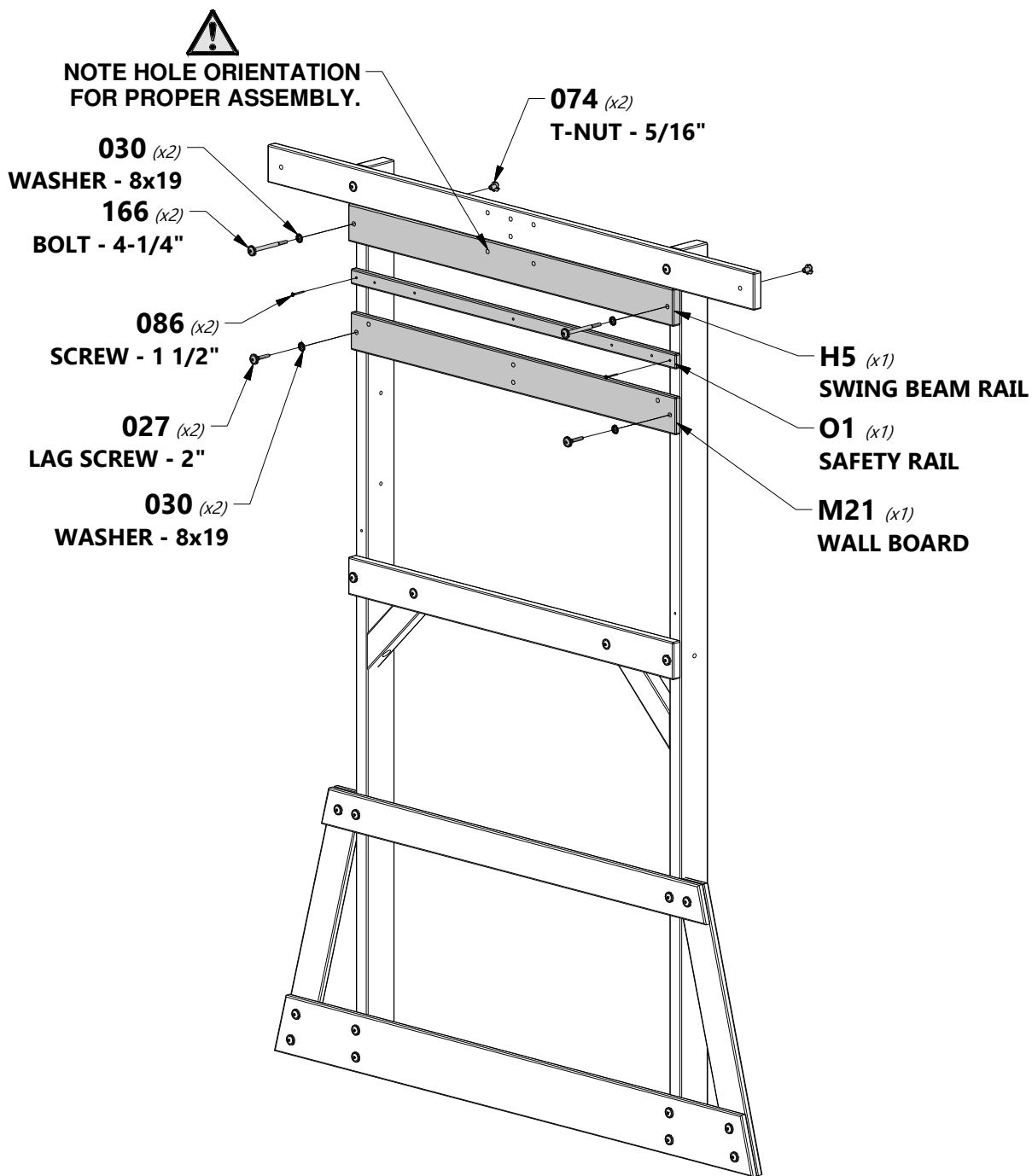
**H100086** | SCREW PFH  
(x2) | 8x1 1/2

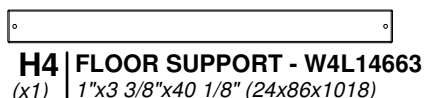
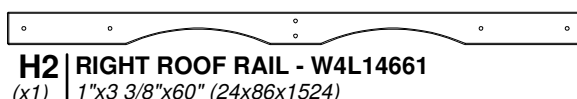
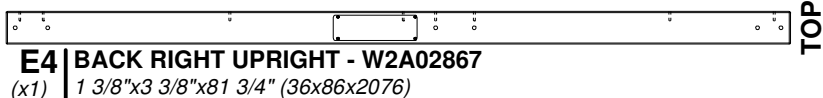
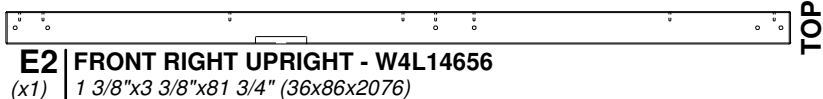


**H100030** | WASHER LOCK EXT  
(x4) | 8x19



**H100074** | T-NUT  
(x2) | 5/16

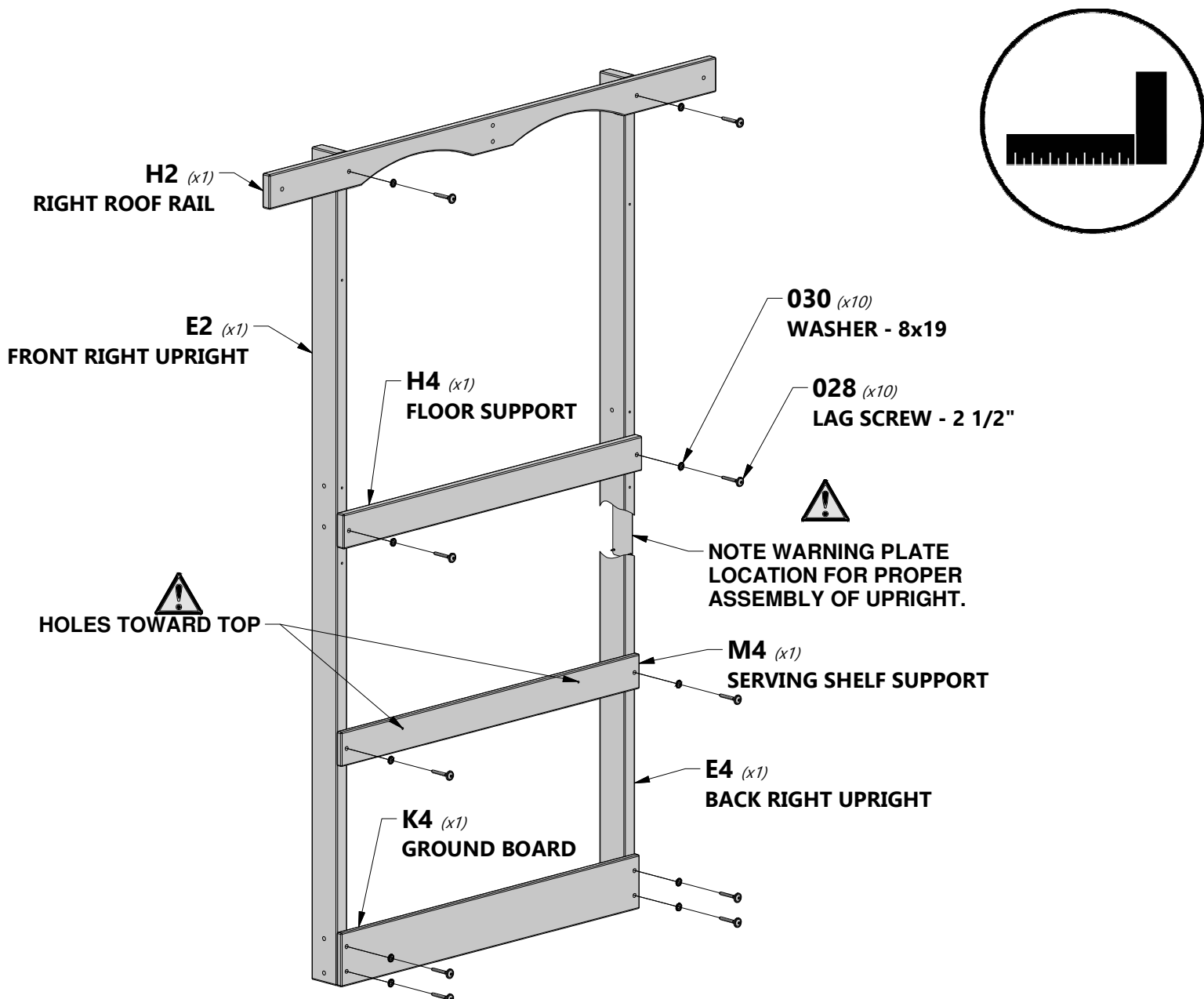


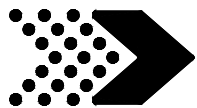


**H100028** | LAG SCREW WH  
(x10) | 5/16x2 1/2



**H100030** | WASHER LOCK EXT  
(x10) | 8x19





**M5** | WALL BOARD - W4L14687  
(x1) | 5/8"x3 3/8"x40 1/8" (16x86x1018)



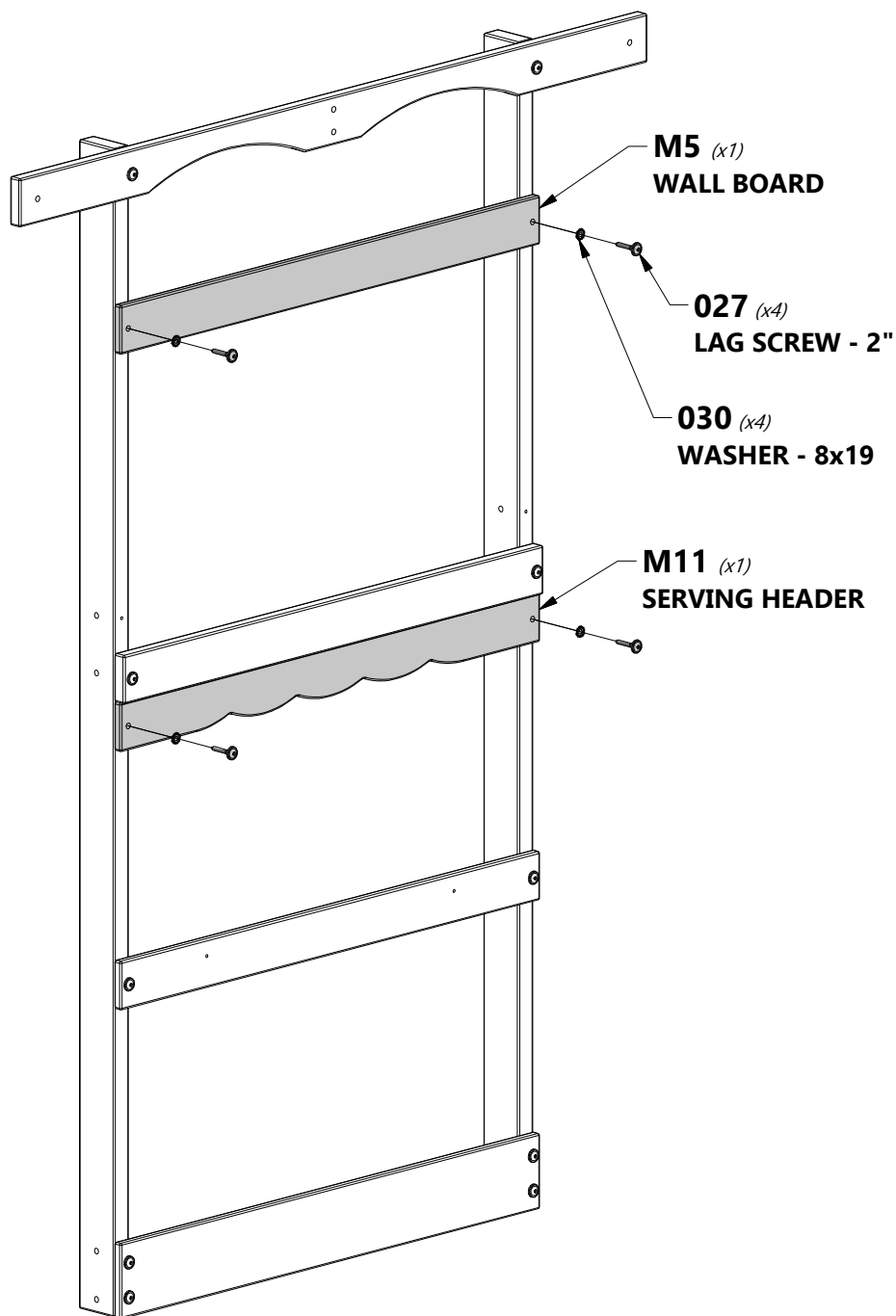
**M11** | SERVING HEADER - W4L14693  
(x1) | 5/8"x3 3/8"x40 1/8" (16x86x1018)

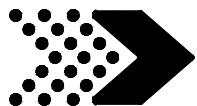


**H100027** | LAG SCREW WH  
(x4) | 5/16x2

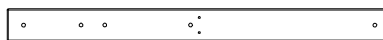


**H100030** | WASHER LOCK EXT  
(x4) | 8x19

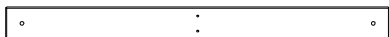




**K2** | GROUND BOARD - W4L14673  
(x2) | 5/8"x5 1/4"x60 1/2" (16x134x1538)



**M18** | FLOOR SUPPORT - W4L14700  
(x1) | 5/8"x3 3/8"x40" (16x86x1016)



**M6** | FLOOR SUPPORT - W4L14688  
(x1) | 5/8"x3 3/8"x40" (16x86x1016)



**L1** | ARCHED ROOF BOARD - W4L14681  
(x1) | 5/8"x4 3/8"x40" (16x112x1016)



**L2** | ARCHED ROOF BOARD - W4L14682  
(x1) | 5/8"x4 3/8"x40" (16x112x1016)



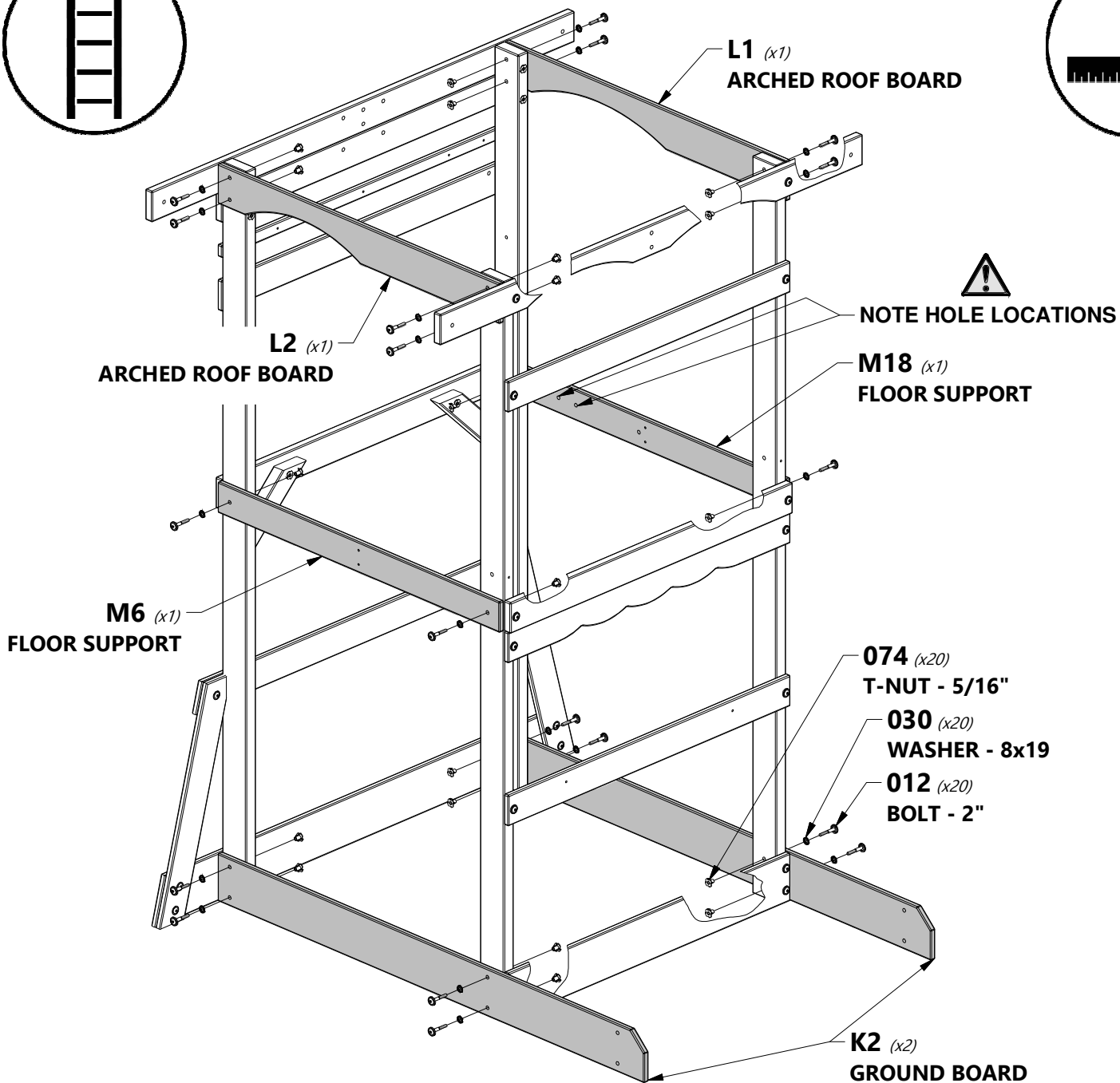
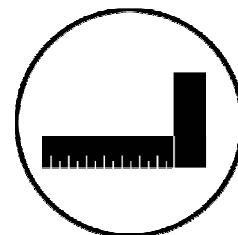
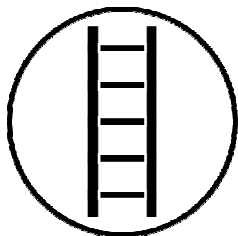
**H100012** | BOLT WH  
(x20) | 5/16x2

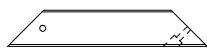


**H100030** | WASHER LOCK EXT  
(x20) | 8x19



**H100074** | T-NUT  
(x20) | 5/16

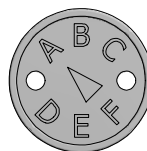




**F71** | STANDARD ANGLE BRACE - W4L14658  
(x1) | 1 3/8"x2 3/8"x13" (36x60x330)



**H3** | FLOOR JOIST - W4L14662  
(x1) | 1"x3 3/8"x40 1/8" (24x86x1018)



**A100314** | "A" REVISION TAG  
(x1)



**H100649** | LAG SCREW WH  
(x1) | 1/4"x2 1/2"



**H100012** | BOLT WH  
(x1) | 5/16"x2"



**H100090** | SCREW PFH  
(x4) | 8x2 1/2"



**H100138** | WASHER LOCK EXT  
(x1) | 6x15



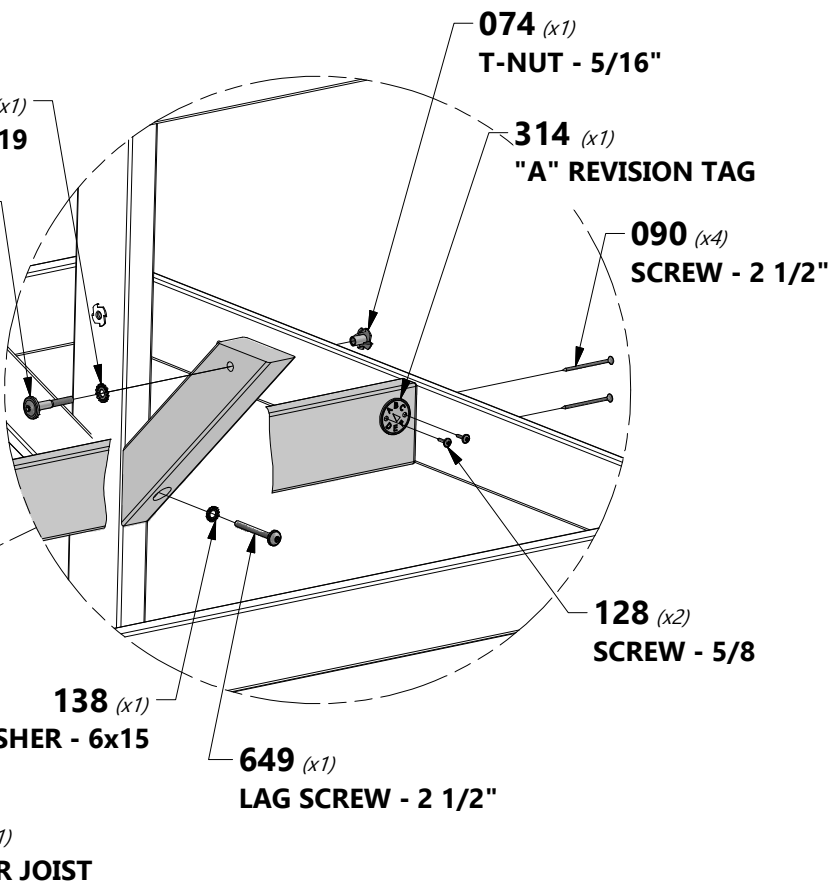
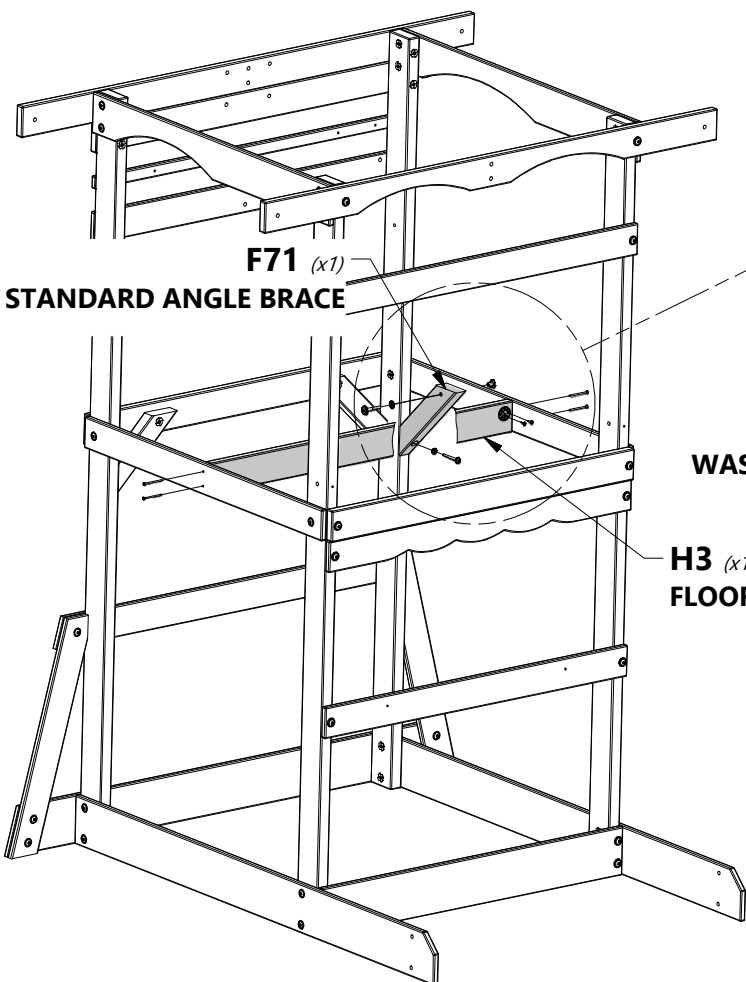
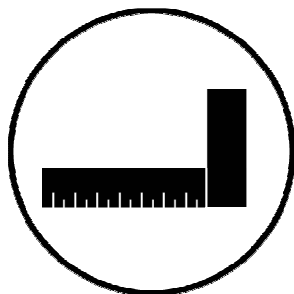
**H100128** | SCREW PWH  
(x2) | 8x5/8

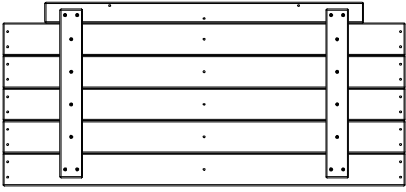
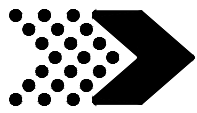


**H100030** | WASHER LOCK EXT  
(x1) | 8x19

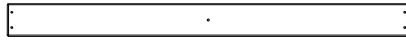


**H100074** | T-NUT  
(x1) | 5/16"





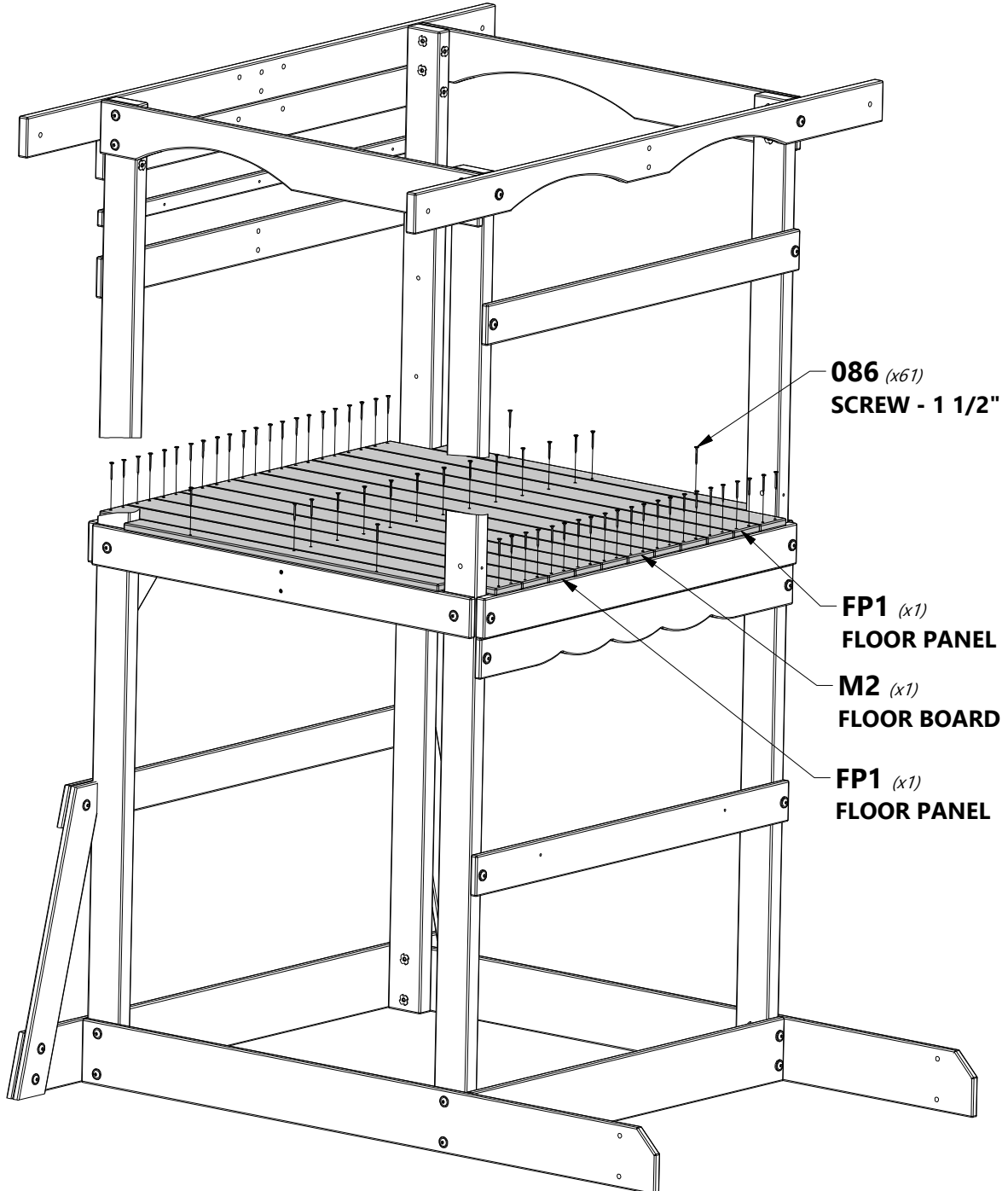
**FP1 | FLOOR PANEL - W2A02865**  
(x2) | 1 1/4"x19 1/8"x41 7/8" (36x485x1064)

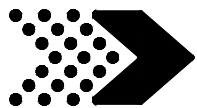


**M2 | FLOOR BOARD - W4L14684**  
(x1) | 5/8"x3 3/8"x41 7/8" (16x86x1064)

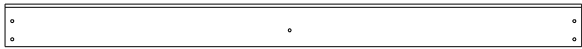


**H100086 | SCREW PFH**  
(x61) | 8x1 1/2"





**K93** | WALL BOARD - W4L14679  
(x10) | 3/8"x3 3/8"x19 1/2" (11x86x495)

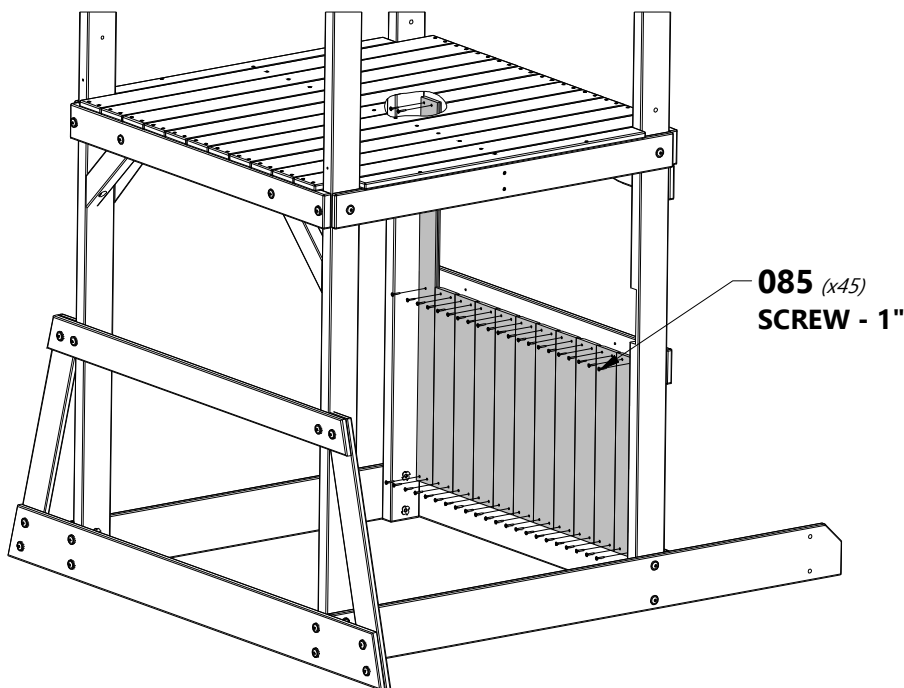
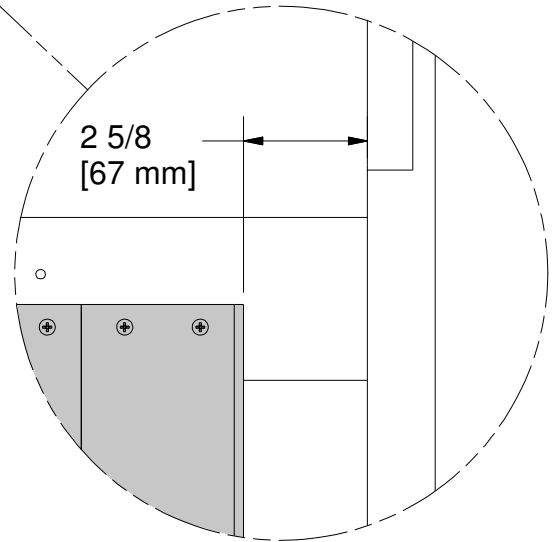
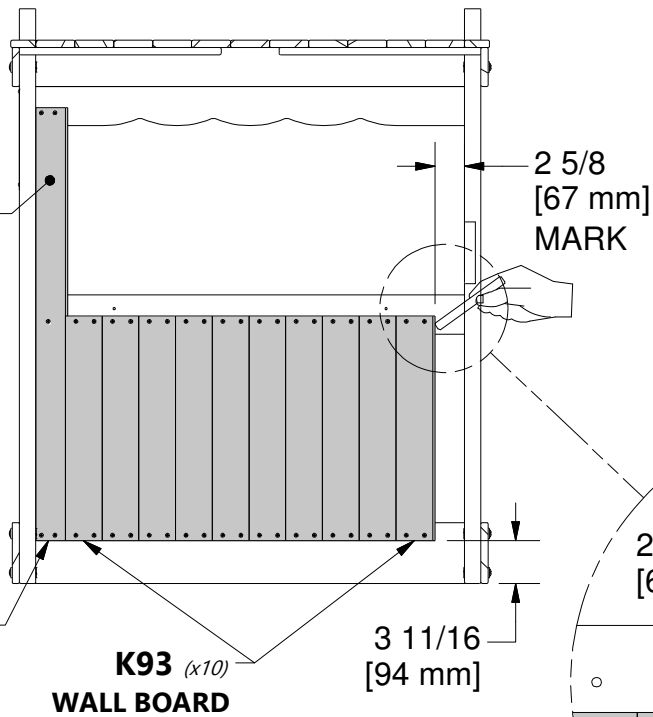


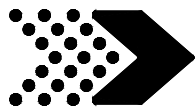
**K92** | RIGHT WALL BOARD - W4L14678  
(x1) | 3/8"x2 3/4"x37 1/2" (11x70x954)



**H100085** | SCREW PFH  
(x45) | 8x1

 **INSTALL 'K92' WALL BOARD FIRST AGAINST POST. THEN EVENLY SPACE 'K93' WALL BOARDS UP TO THE 2 5/8 MARK. GAP IS FOR 'K91' WALL BOARD. (SEE STEP 10).**

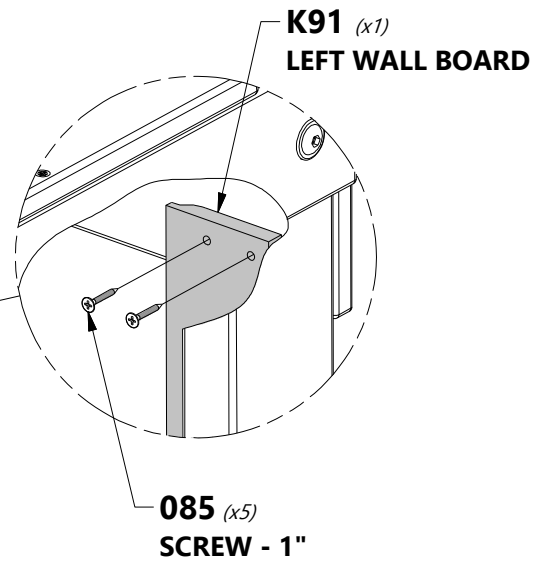
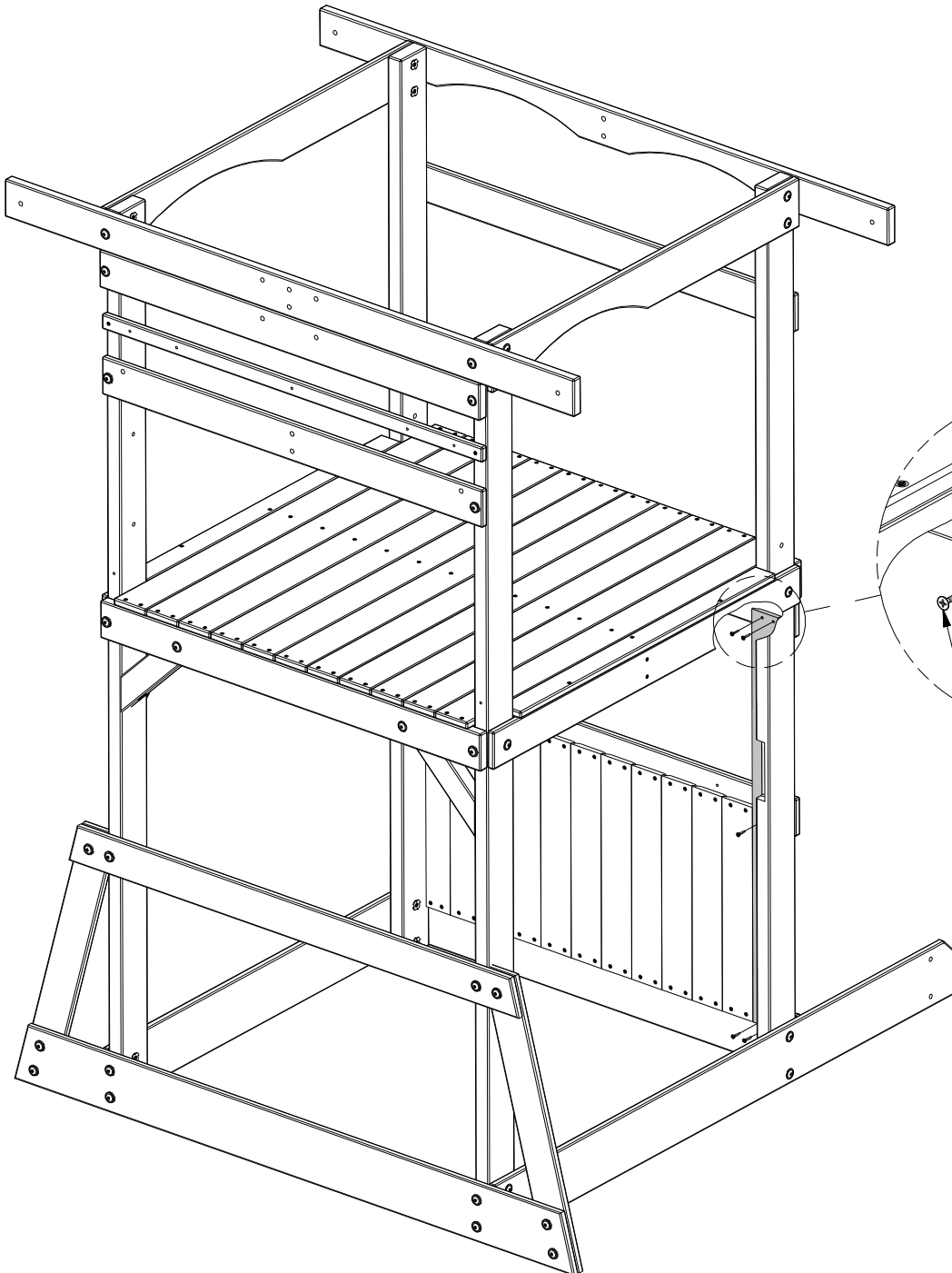


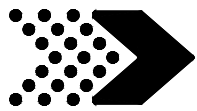


**K91** | LEFT WALL BOARD - W4L14677  
(x1) | 3/8"x2 3/4"x37 1/2" (11x70x954)



**H100085** | SCREW PFH  
(x5) | 8x1





**H9** | SHELF SUPPORT - W4L14668  
(x2) | 1"x3 3/8"x4 1/2" (24x86x114)



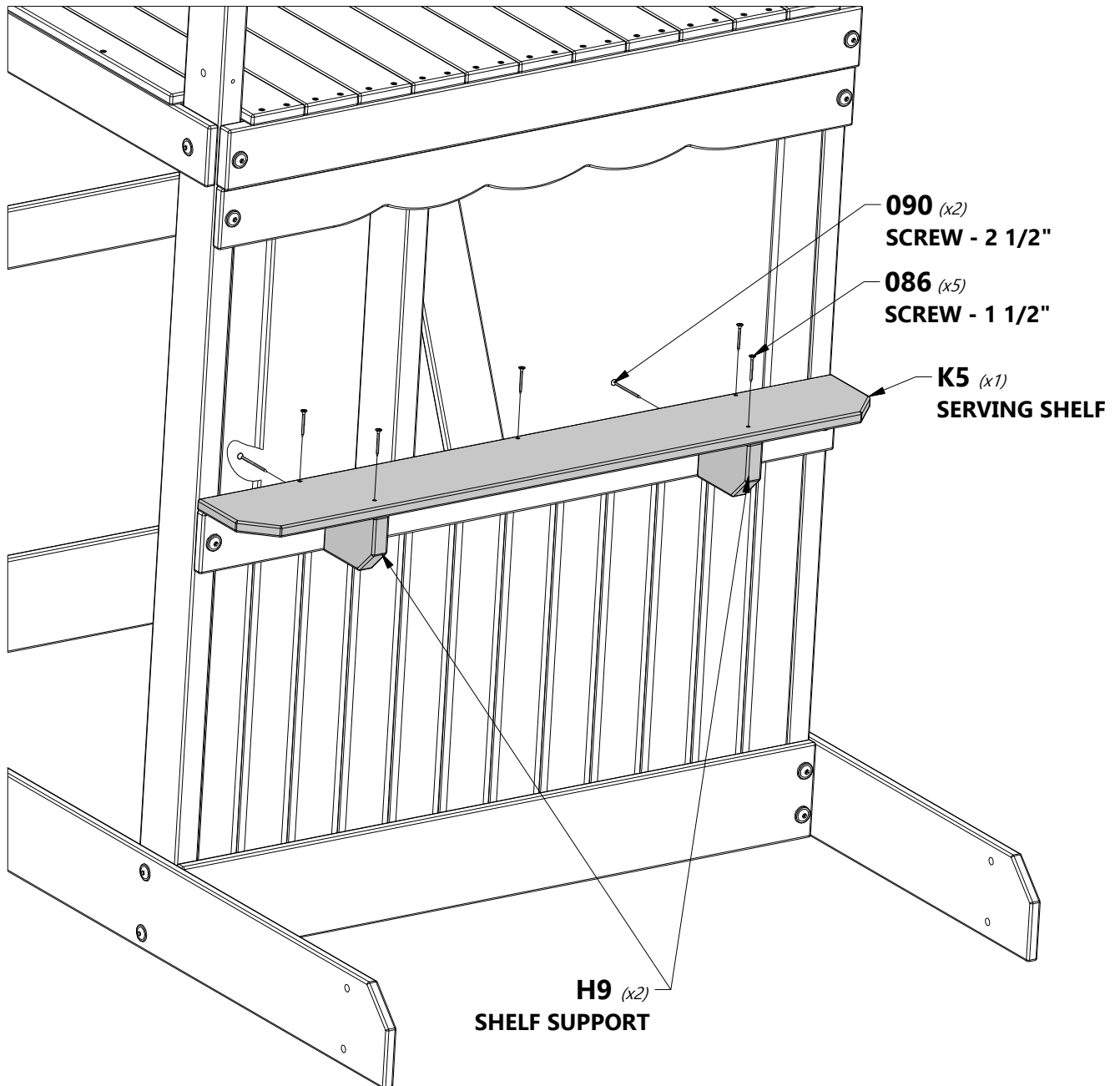
**K5** | SERVING SHELF - W4L14676  
(x1) | 5/8"x5 1/4"x40 1/8" (16x134x1018)

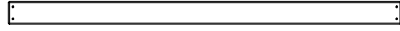
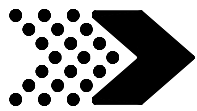


**H100086** | SCREW PFH  
(x5) | 8x1 1/2"



**H100090** | SCREW PFH  
(x2) | 8x2 1/2"





**N2** | WALL BOARD - W4L14706  
(x1) | 5/8"x2 3/8"x41" (16x60x1040)



**M12** | WINDOW WALL BOARD - W4L14694  
(x2) | 5/8"x3 3/8"x25" (16x86x634)



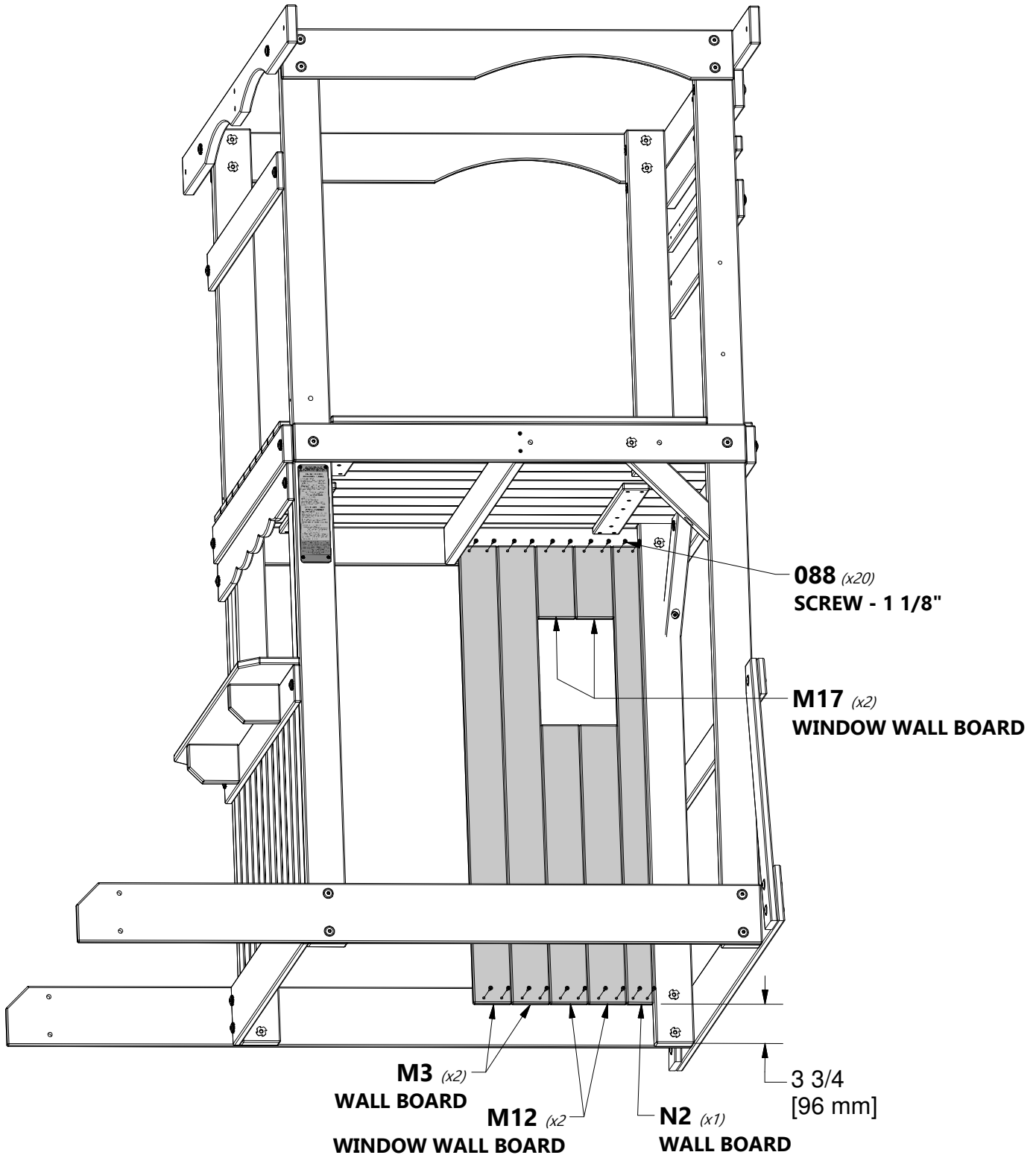
**M17** | WINDOW WALL BOARD - W4L14699  
(x2) | 5/8"x3 3/8"x6 1/2" (16x86x164)

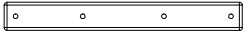
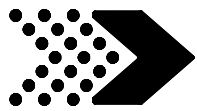


**M3** | WALL BOARD - W4L14685  
(x2) | 5/8"x3 3/8"x41" (16x86x1040)

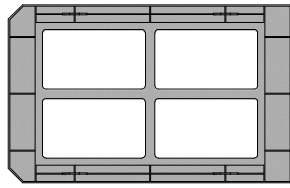


**H100088** | SCREW PFH  
(x20) | 8x1 1/8



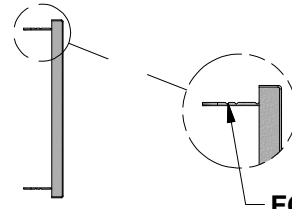


**K94** | WINDOW CLEAT - W4L14680  
(x1) | 3/8"x1 1/8"x9 7/8" (11x30x252)



**A6P00019** | WINDOW (FLAT PACK)  
(x1)

TOP



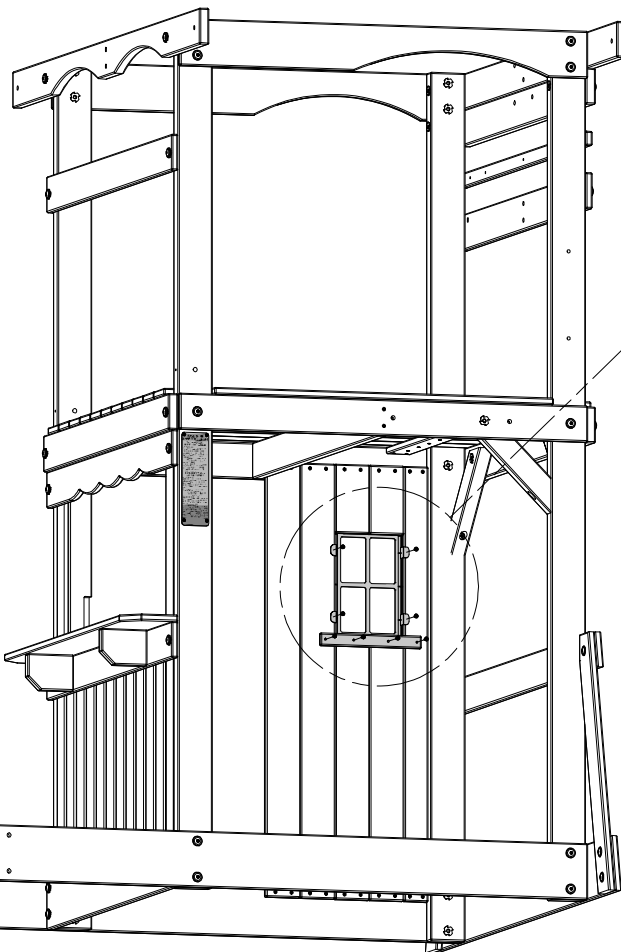
**FOLD OUTWARD BOTH SIDES AT THIS LOCATION**



**H100128** | SCREW PWH  
(x4) | 8x5/8



**H100070** | SCREW PWH  
(x4) | 8x3/4

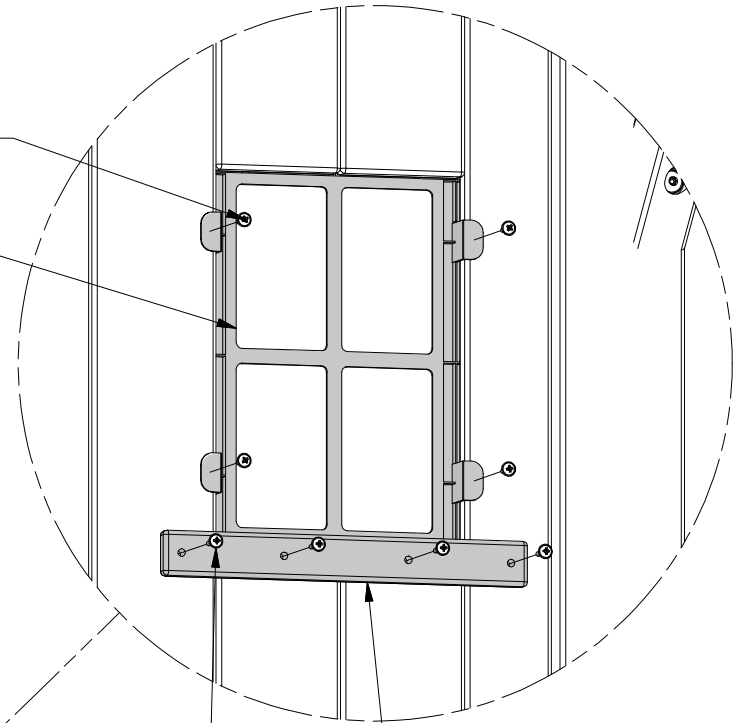


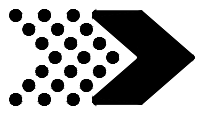
**128** (x4)  
SCREW - 5/8

**019** (x1)  
WINDOW (FLAT PACK)

**070** (x4)  
SCREW - 8x3/4"

**K94** (x1)  
WINDOW CLEAT

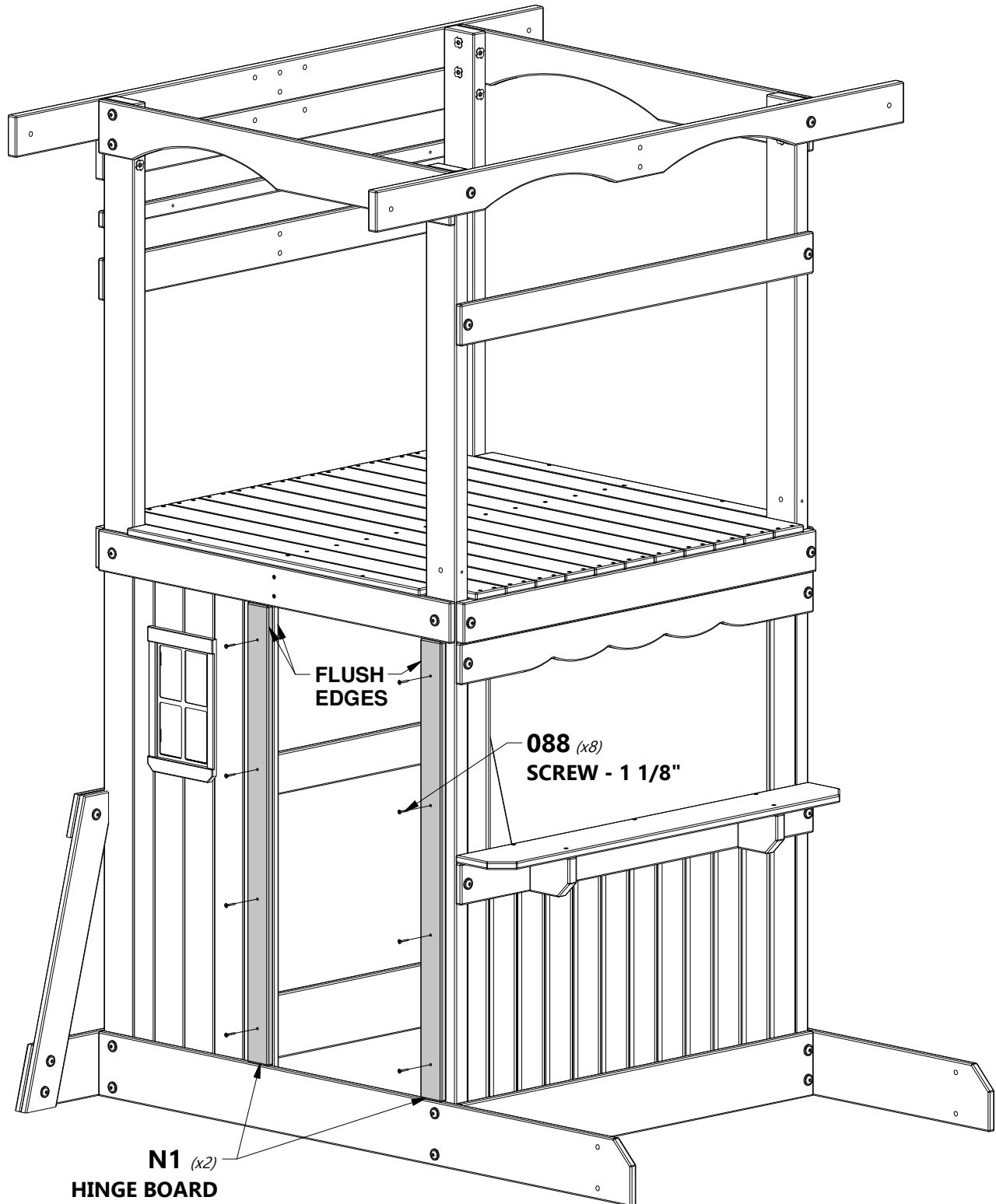


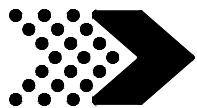


**N1** | HINGE BOARD - W4L14705  
(x2) | 5/8"x2 3/8"x37 3/4" (16x60x958)



**H100088** | SCREW PFH  
(x8) | 8x1 1/8





**M13** | WALL RAIL - W4L14695  
(x1) | 5/8"x3 3/8"x19 1/4" (16x86x490)



**M15** | WALL RAIL - W4L14697  
(x1) | 5/8"x3 3/8"x16 5/8" (16x86x422)



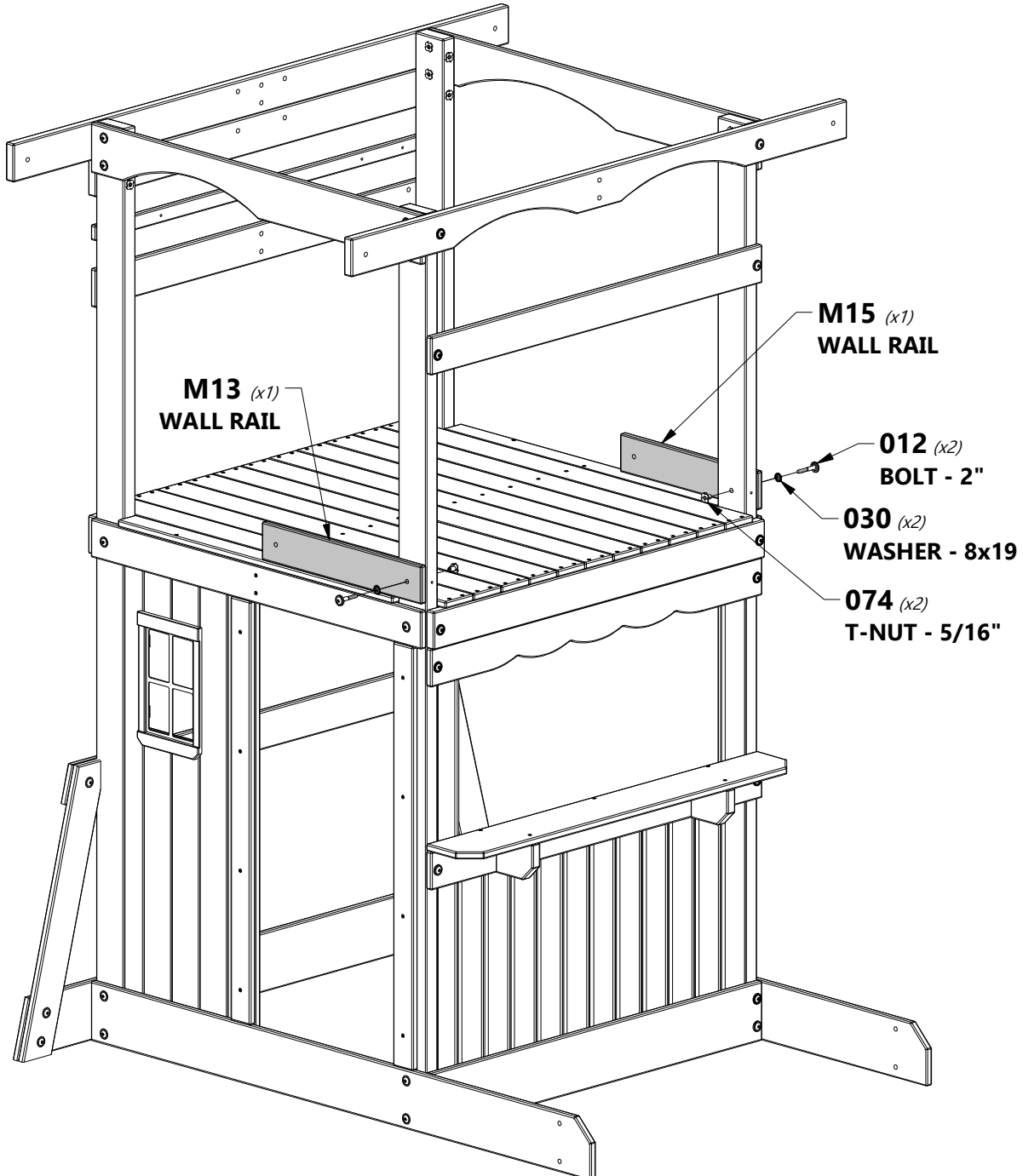
**H100012** | BOLT WH  
(x2) | 5/16x2

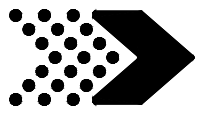



**H100030** | WASHER LOCK EXT  
(x2) | 8x19

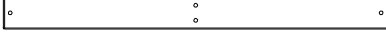


**H100074** | T-NUT  
(x2) | 5/16





  
**M5 | WALL BOARD - W4L14687**  
 (x1) | 5/8"x3 3/8"x40 1/8" (16x86x1018)

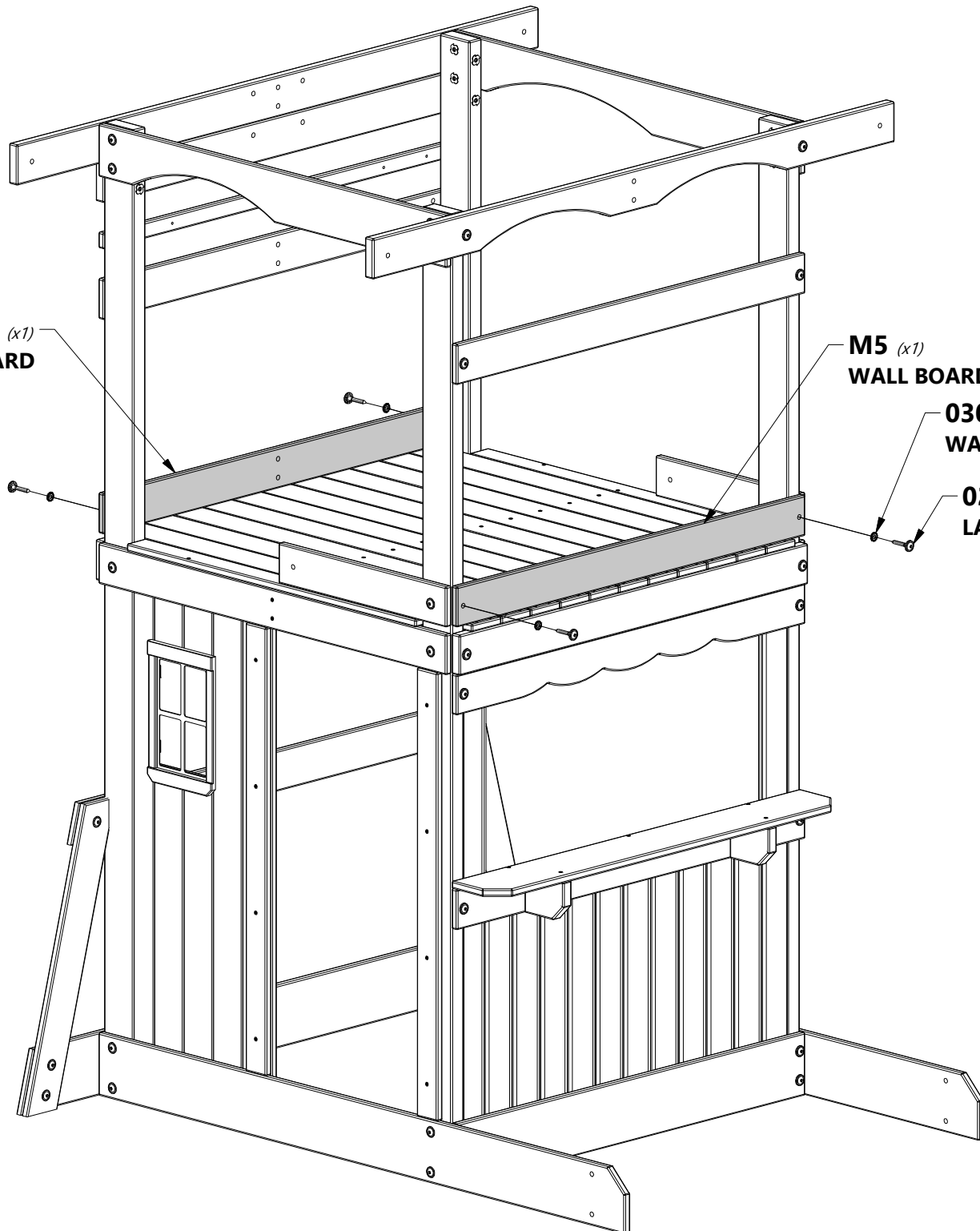
  
**M19 | WALL BOARD - W4L14701**  
 (x1) | 5/8"x3 3/8"x40 1/8" (16x86x1018)



**H100027 | LAG SCREW WH**  
 (x4) | 5/16x2



**H100030 | WASHER LOCK EXT**  
 (x4) | 8x19

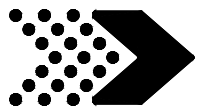


**M19 (x1)**  
**WALL BOARD**

**M5 (x1)**  
**WALL BOARD**

**030 (x4)**  
**WASHER - 8x19**

**027 (x4)**  
**LAG SCREW - 2"**



**N3** | WALL BOARD - W4L14707  
 (x1) | 5/8"x2 3/8"x30" (16x60x762)

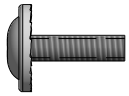
**M16** | WINDOW WALL BOARD - W4L14698  
 (x2) | 5/8"x3 3/8"x14" (16x86x356)

**M17** | WINDOW WALL BOARD - W4L14699  
 (x2) | 5/8"x3 3/8"x6 1/2" (16x86x164)

**M10** | WALL BOARD - W4L14692  
 (x1) | 5/8"x3 3/8"x30" (16x86x762)

**M20** | WALL BOARD - W4L14702  
 (x1) | 5/8"x3 3/8"x31 3/4" (16x86x808)

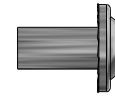
**A4M01046** | L BRACKET 2.5x38x55x55  
 (x1)



**H100008** | BOLT WH  
 (x1) | 5/16x1



**H100115** | BOLT WH  
 (x1) | 5/16x1/2



**H100005** | NUT BARREL WH  
 (x1) | 5/16x7/8



**H100088** | SCREW PFH  
 (x18) | 8x1 1/8



**H100031** | WASHER LOCK EXT  
 (x1) | 12x19



**H100074** | T-NUT  
 (x1) | 5/16



**NOTE:**  
 INSTALL T-NUTS INTO BOARDS  
 BEFORE BOARD ASSEMBLY.



USING A 7/16" [10 mm]  
 DRILL BIT, MARK AND  
 DRILL THRU FLOOR  
 BOARD & WALL BOARD.

**088** (x18)  
 SCREW - 1 1/8"

**008** (x1)  
 BOLT - 5/16x1"

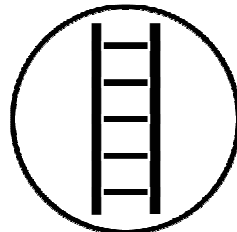
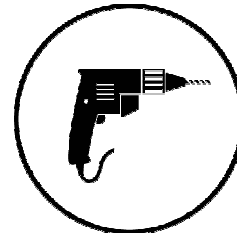
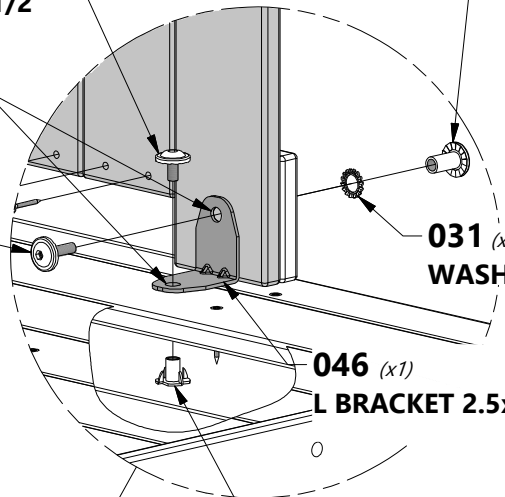
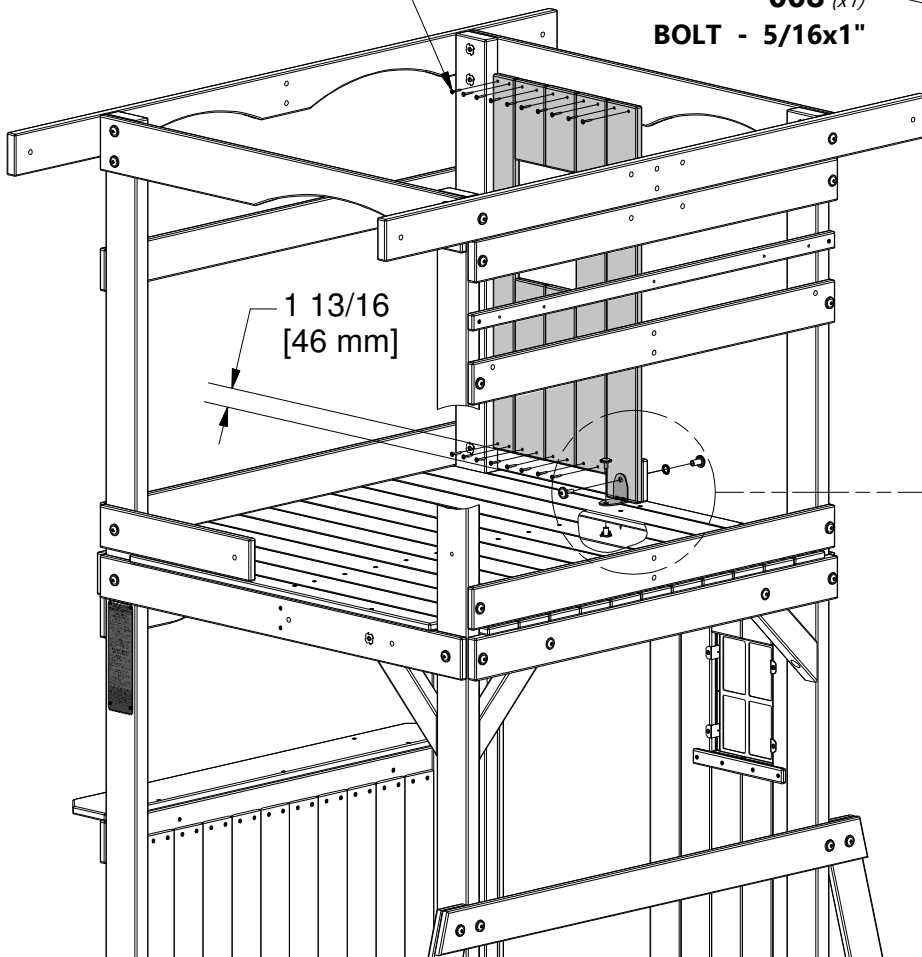
**115** (x1)  
 BOLT - 1/2"

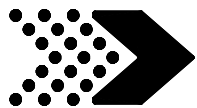
**005** (x1)  
 NUT BARREL - 7/8"

**031** (x1)  
 WASHER - 12x19

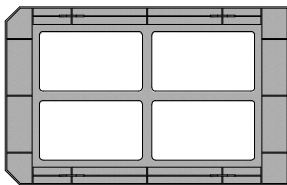
**046** (x1)  
 L BRACKET 2.5x38x55x55

**074** (x1)  
 T-NUT - 5/16"

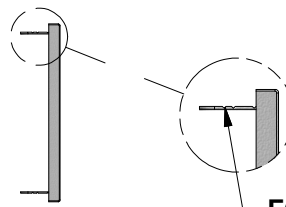




**K94** | WINDOW CLEAT - W4L14680  
(x1) | 3/8"x1 1/8"x9 7/8" (11x30x252)



**A6P00019** | WINDOW (FLAT PACK)  
(x1)



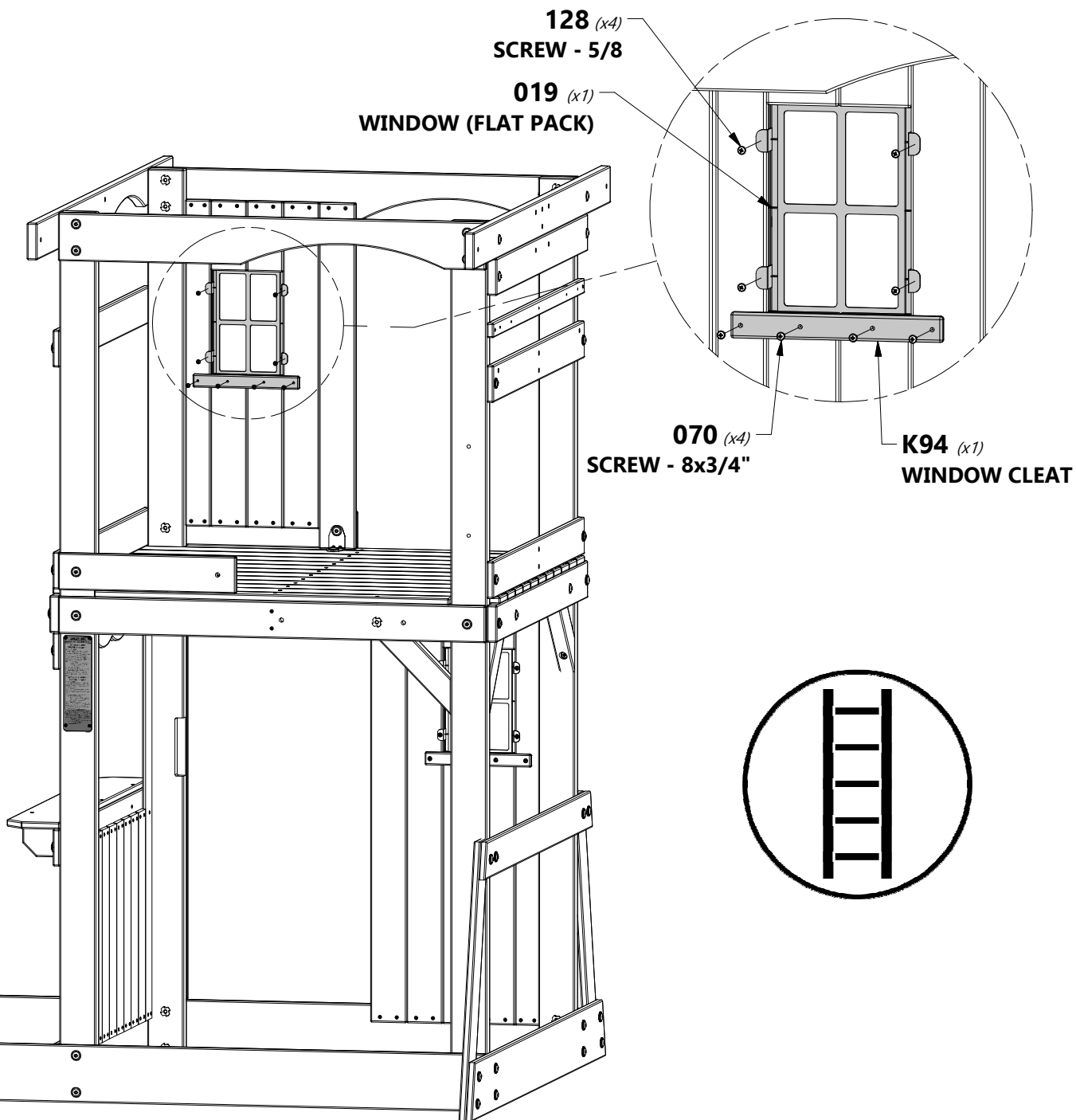
**FOLD OUTWARD BOTH SIDES AT THIS LOCATION**

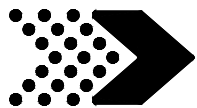


**H100128** | SCREW PWH  
(x4) | 8x5/8



**H100070** | SCREW PWH  
(x4) | 8x3/4





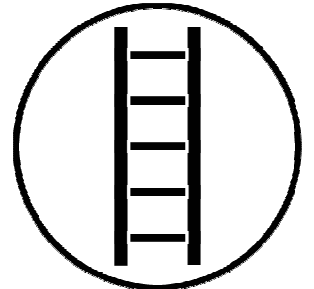
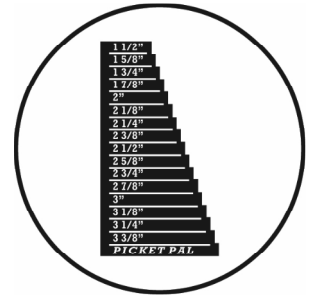
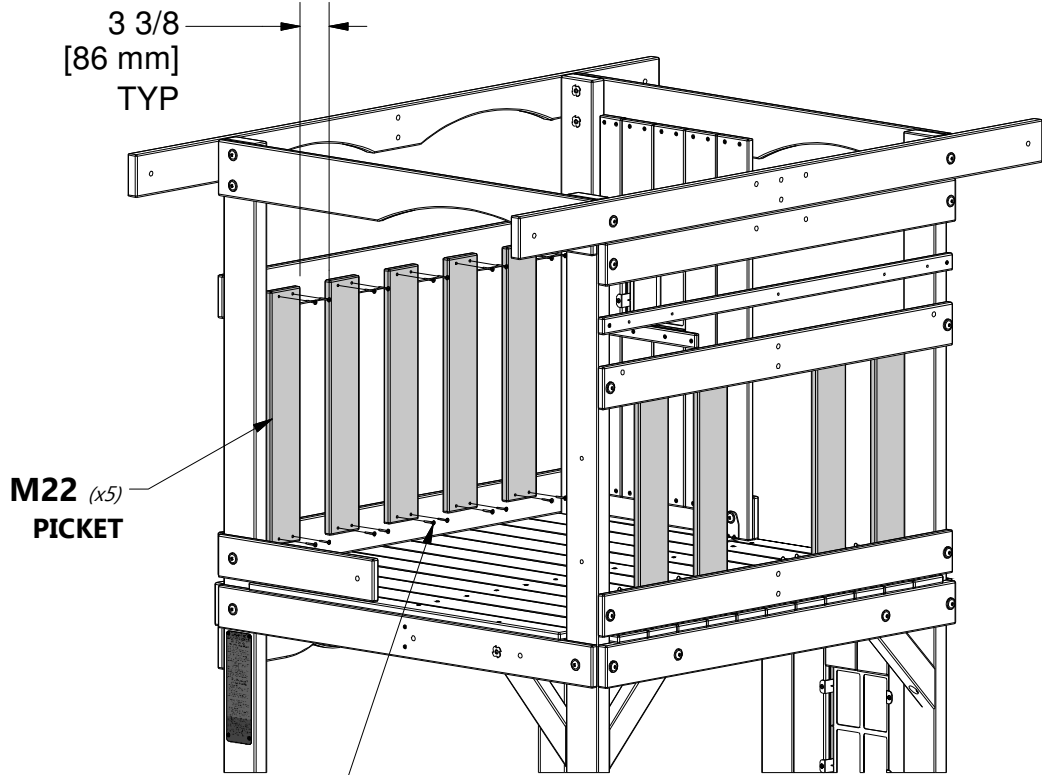
**M14** | PICKET - W4L14696  
(x4) | 5/8"x3 3/8"x17 3/4" (16x86x452)



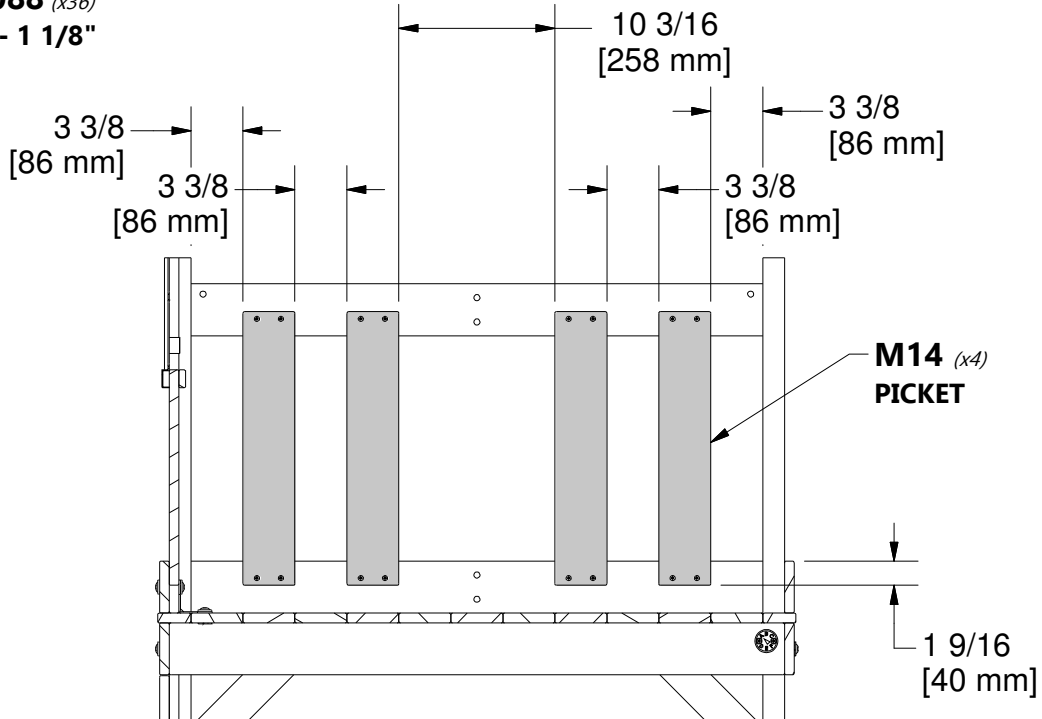
**M22** | PICKET - W4L14704  
(x5) | 5/8"x3 3/8"x20 1/8" (16x86x512)

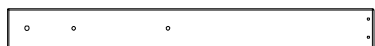
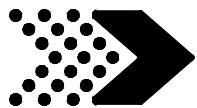


**H100088** | SCREW PFH  
(x36) | 8x1 1/8



**088** (x36)  
SCREW - 1 1/8"





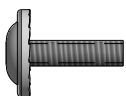
**M9** | HANDLE WALL BOARD - W4L14691  
(x1) | 5/8"x3 3/8"x31 3/4" (16x86x808)



**M10** | WALL BOARD - W4L14692  
(x1) | 5/8"x3 3/8"x30" (16x86x762)



**A4M01046** | L BRACKET 2.5x38x55x55  
(x1)



**H100008** | BOLT WH  
(x1) | 5/16x1



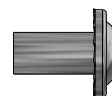
**H100088** | SCREW PFH  
(x6) | 8x1 1/8



**H100115** | BOLT WH  
(x1) | 5/16x1/2



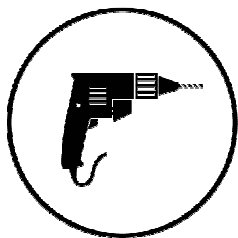
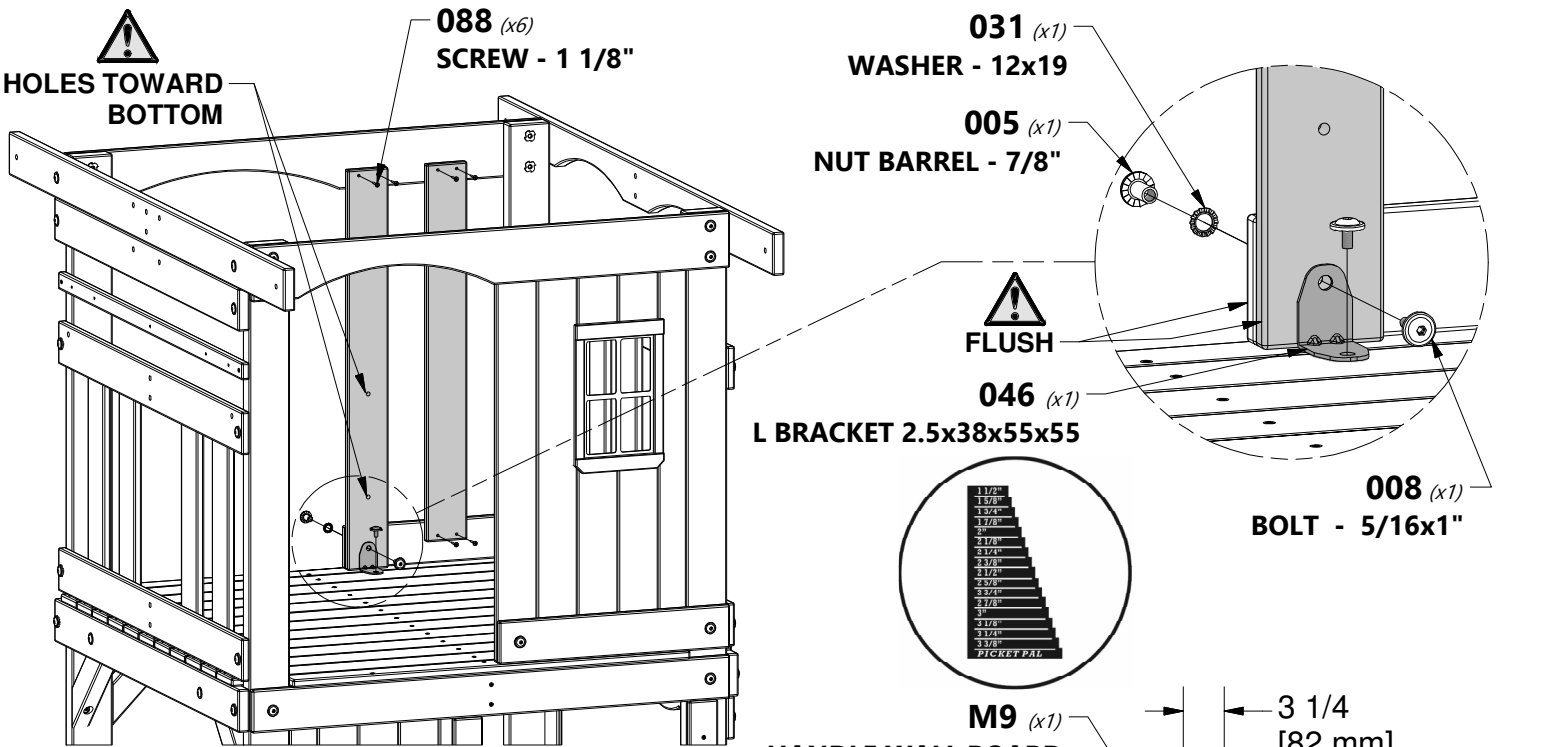
**H100031** | WASHER LOCK EXT  
(x1) | 12x19



**H100005** | NUT BARREL WH  
(x1) | 5/16x7/8



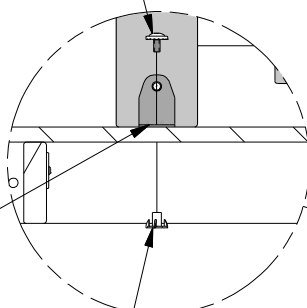
**H100074** | T-NUT  
(x1) | 5/16



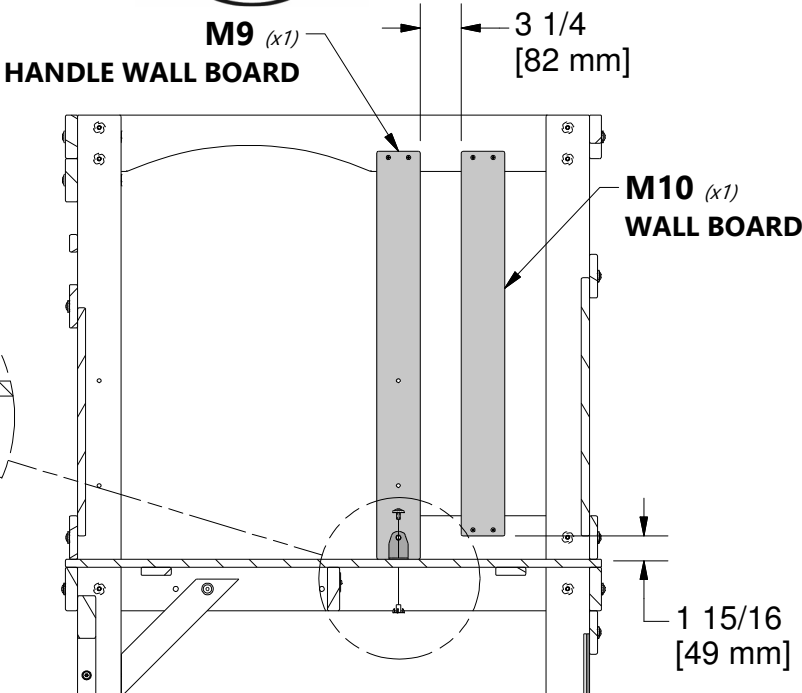
**USING A 7/16" [10 mm] DRILL BIT, MARK AND DRILL THROUGH FLOOR BOARD.**

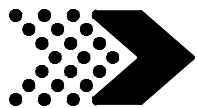


**115 (x1) BOLT - 1/2"**



**074 (x1) T-NUT - 5/16"**





**M1** | END ROOF RAIL - W4L14683  
(x2) | 5/8"x3 3/8"x41 7/8" (16x86x1064)



**A4M01046** | L BRACKET 2.5x38x55x55  
(x4)



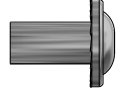
**H100115** | BOLT WH  
(x8) | 5/16x1/2



**H100074** | T-NUT  
(x4) | 5/16



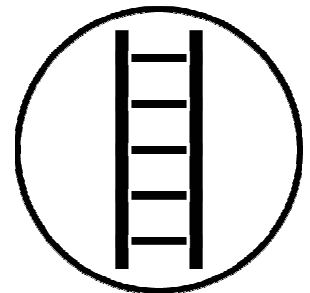
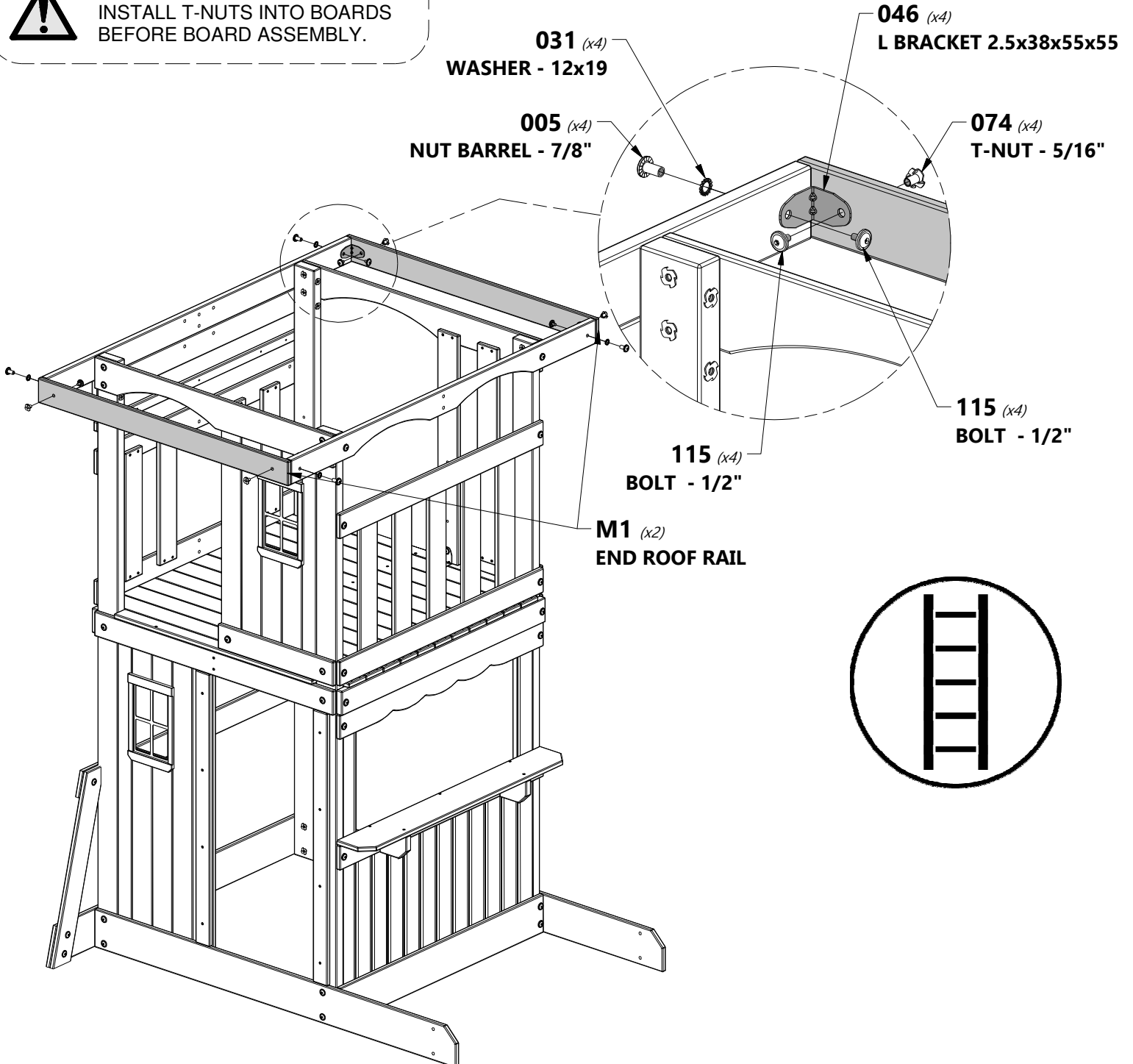
**H100031** | WASHER LOCK EXT  
(x4) | 12x19



**H100005** | NUT BARREL WH  
(x4) | 5/16x7/8



**NOTE:**  
INSTALL T-NUTS INTO BOARDS  
BEFORE BOARD ASSEMBLY.





**M7** | TOP ROOF RAIL - W4L14689  
(x1) | 5/8"x3 3/8"x40" (16x86x1016)



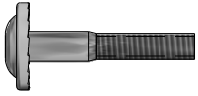
**H6** | ROOF UPRIGHT - W4L14665  
(x1) | 1"x3 3/8"x24" (24x86x610)



**H11** | ROOF UPRIGHT - W4L14670  
(x1) | 1"x3 3/8"x55 1/4" (24x86x1404)



**A4M01046** | L BRACKET 2.5x38x55x55  
(x2)



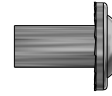
**H100011** | BOLT WH  
(x4) | 5/16x1 3/4



**H100010** | BOLT WH  
(x4) | 5/16x1-1/2



**H100115** | BOLT WH  
(x4) | 5/16x1/2



**H100005** | NUT BARREL WH  
(x2) | 5/16x7/8



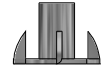
**H100086** | SCREW PFH  
(x1) | 8x1 1/2



**H100030** | WASHER LOCK EXT  
(x8) | 8x19



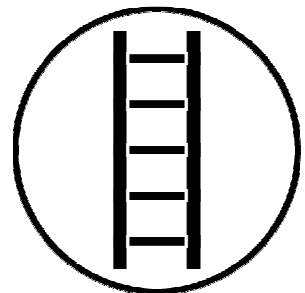
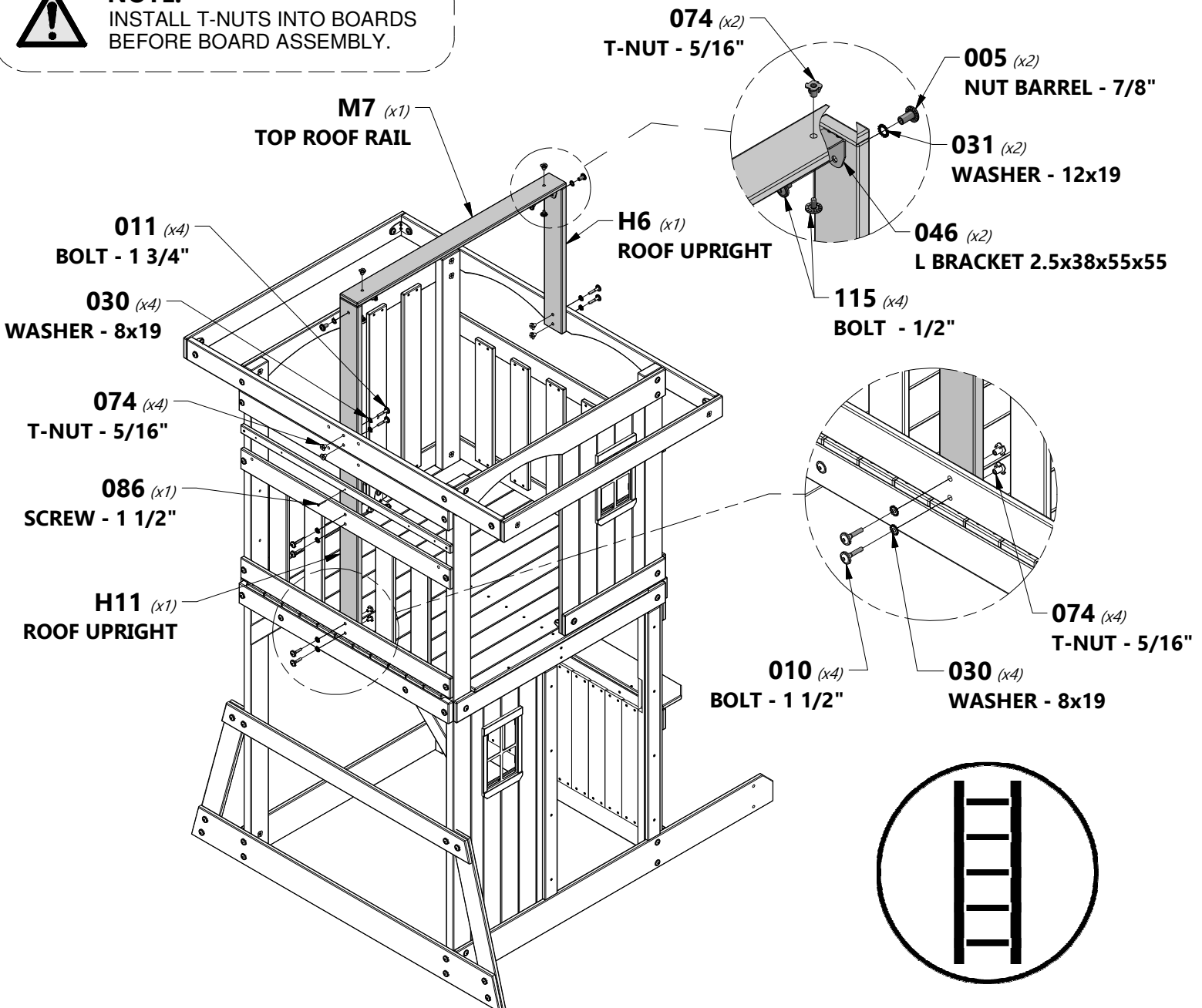
**H100031** | WASHER LOCK EXT  
(x2) | 12x19

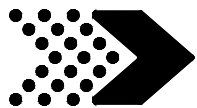


**H100074** | T-NUT  
(x10) | 5/16



**NOTE:**  
INSTALL T-NUTS INTO BOARDS  
BEFORE BOARD ASSEMBLY.





**G1** | WALL RAIL - W4L14659  
(x2) | 1"x5 1/4"x22" (24x134x558)



**T1** | SUPPORT RAIL - W4L14711  
(x2) | 1"x1 3/8"x20" (24x34x507)



**H100010** | BOLT WH  
(x2) | 5/16x1-1/2



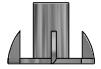
**H100111** | SCREW PFH  
(x8) | 8x2



**H100030** | WASHER LOCK EXT  
(x2) | 8x19



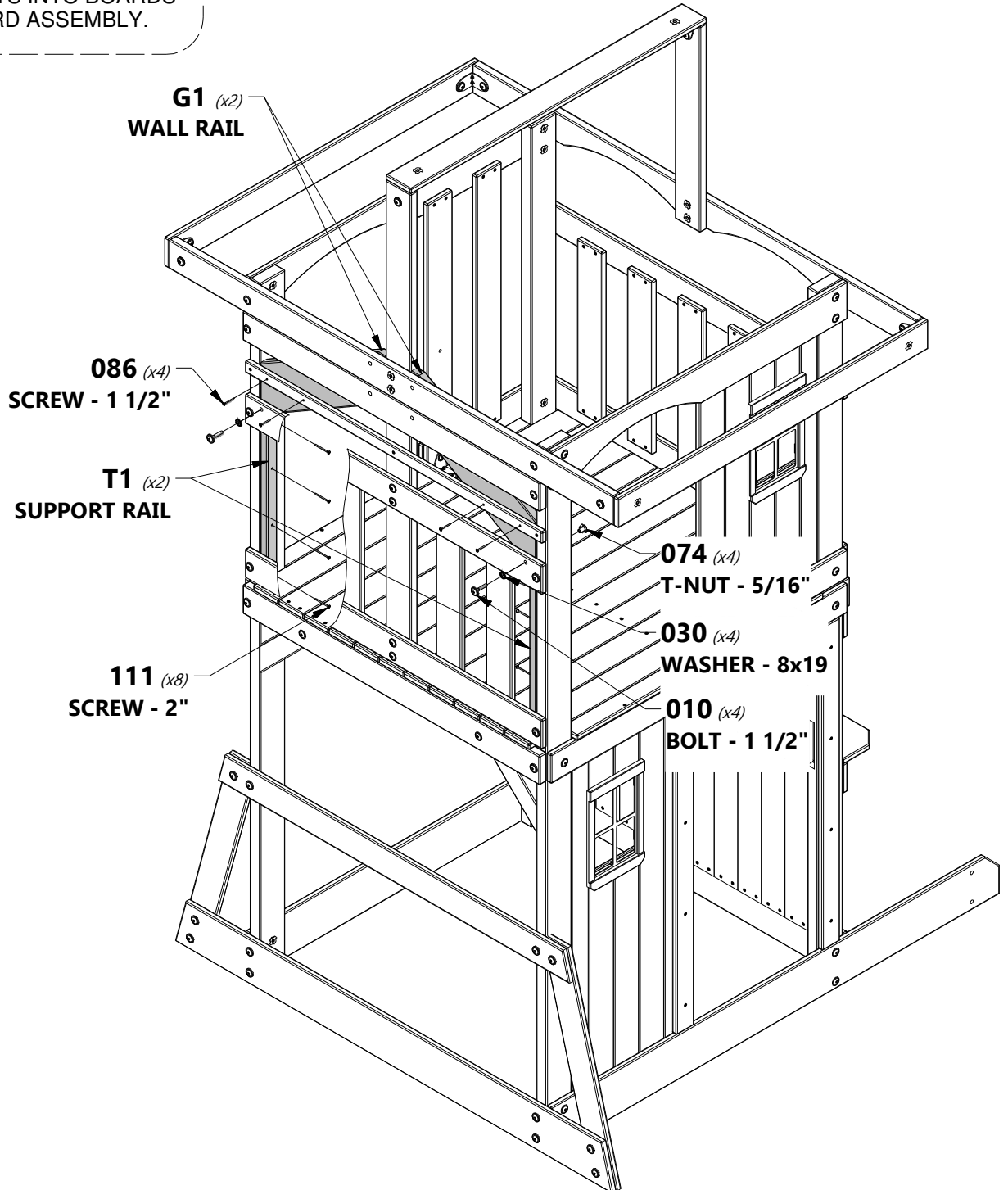
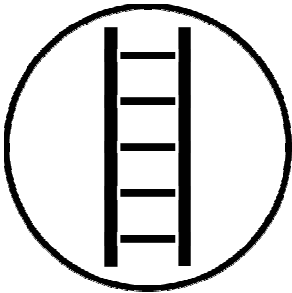
**H100086** | SCREW PFH  
(x4) | 8x1 1/2

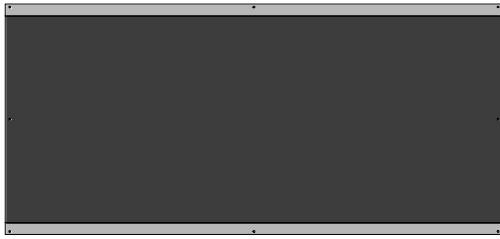
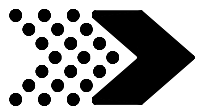


**H100074** | T-NUT  
(x2) | 5/16



**NOTE:**  
INSTALL T-NUTS INTO BOARDS  
BEFORE BOARD ASSEMBLY.

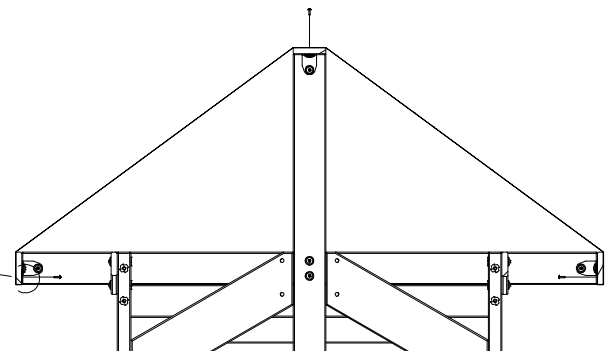
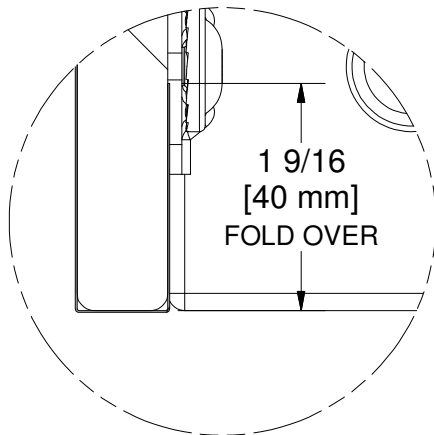
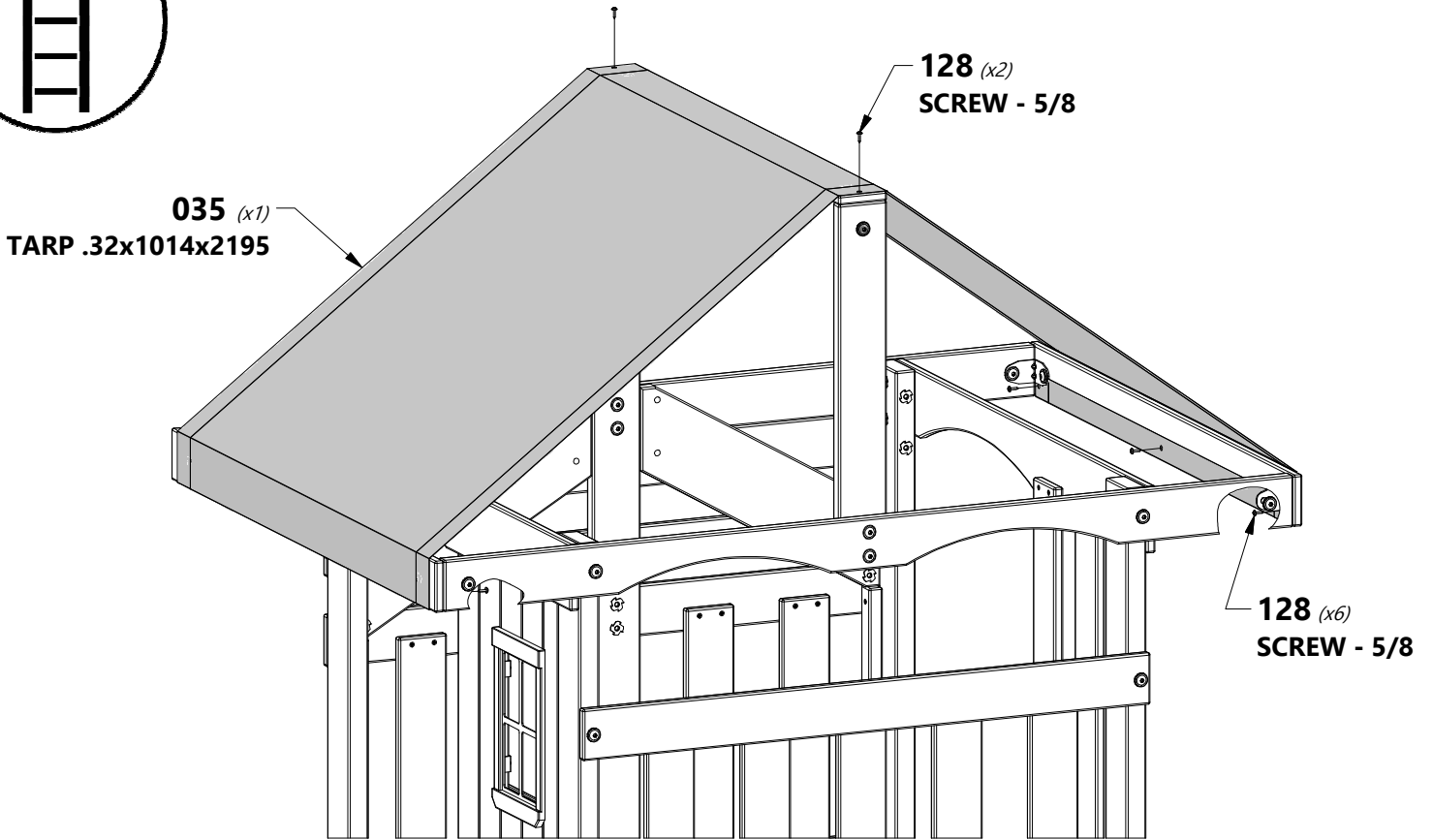
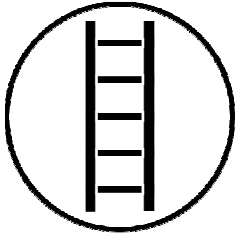




**A6P00035** | TARP .32x1014x2195  
(x1)



**H100128** | SCREW PWH  
(x8) | 8x5/8





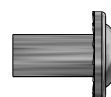
**H7** | BENCH UPRIGHT - W4L14666  
(x2) | 1"x3 3/8"x15" (24x86x380)



**H100008** | BOLT WH  
(x4) | 5/16x1



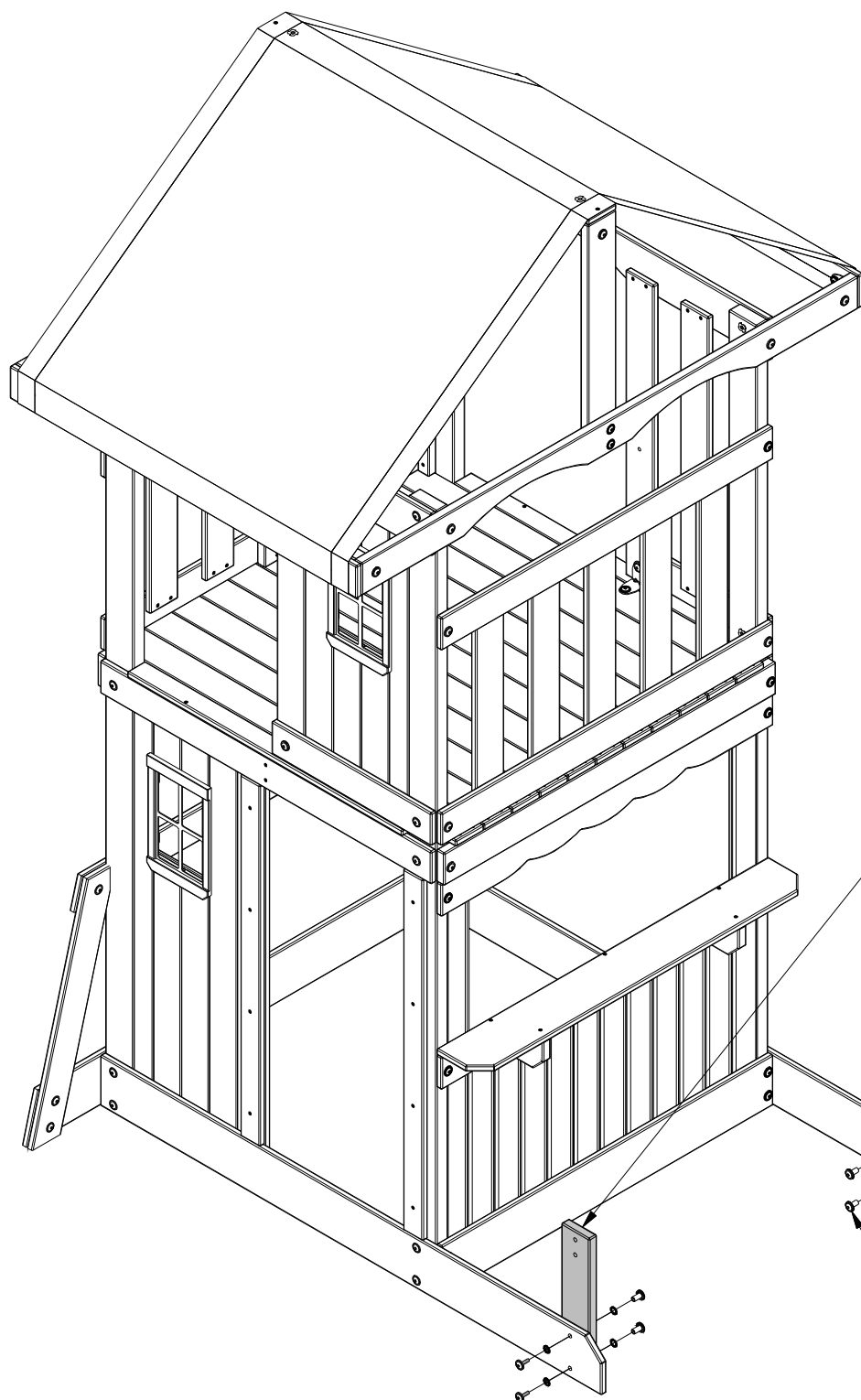
**H100030** | WASHER LOCK EXT  
(x4) | 8x19



**H100005** | NUT BARREL WH  
(x4) | 5/16x7/8



**H100031** | WASHER LOCK EXT  
(x4) | 12x19



**H7** (x2)  
BENCH UPRIGHT

**008** (x4)  
BOLT - 5/16x1"

**030** (x4)  
WASHER - 8x19

**031** (x4)  
WASHER - 12x19

**005** (x4)  
NUT BARREL - 7/8"



**H8** SEAT SUPPORT - W4L14667  
(x2) 1"x3 3/8"x8 1/2" (24x86x216)



**H100011** BOLT WH  
(x4) 5/16x1 3/4



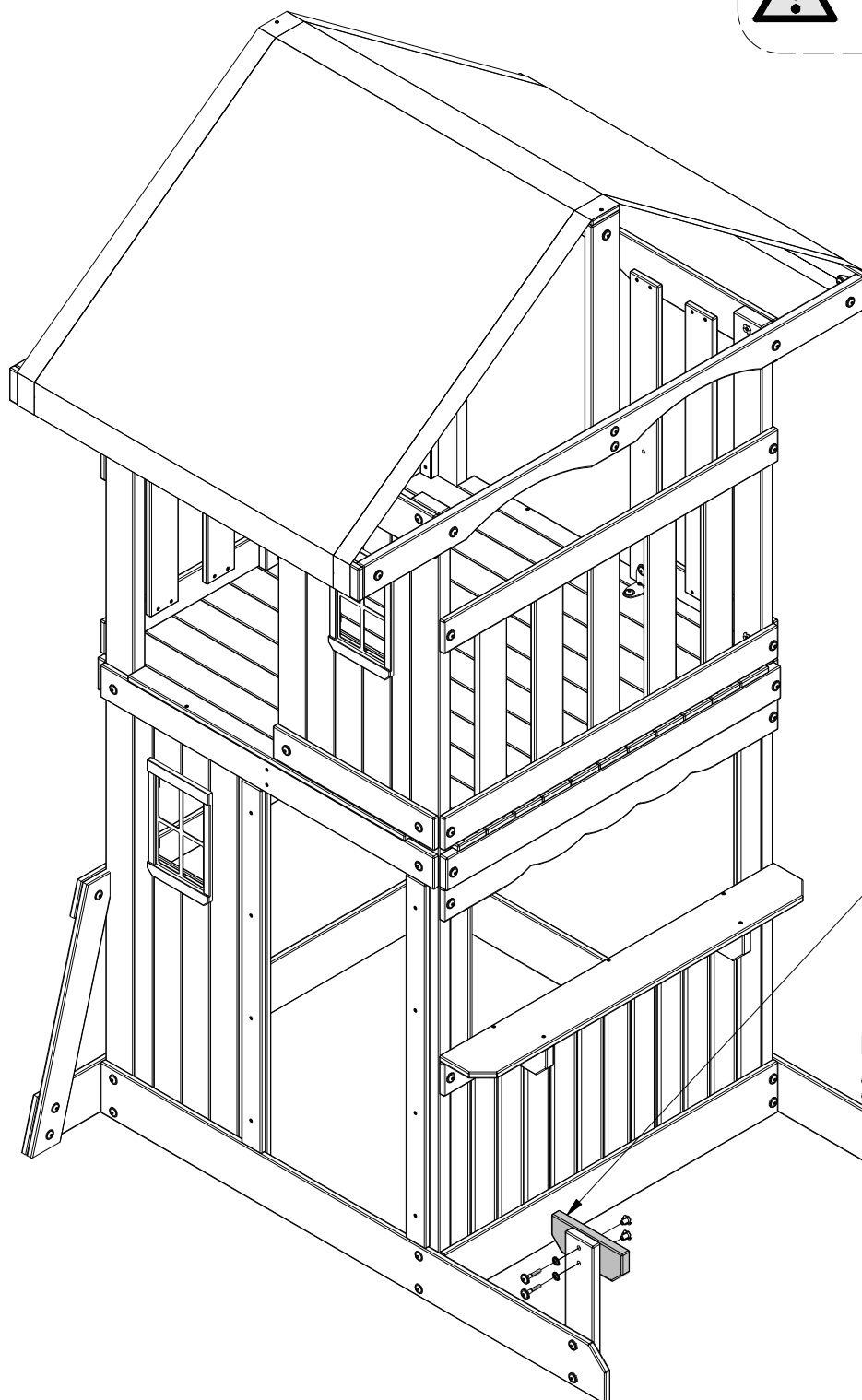
**H100030** WASHER LOCK EXT  
(x4) 8x19



**H100074** T-NUT  
(x4) 5/16



**NOTE:**  
INSTALL T-NUTS INTO BOARDS  
BEFORE BOARD ASSEMBLY.

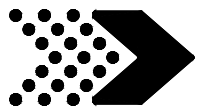


**H8 (x2)**  
SEAT SUPPORT

**011 (x4)**  
BOLT - 1 3/4"

**030 (x4)**  
WASHER - 8x19

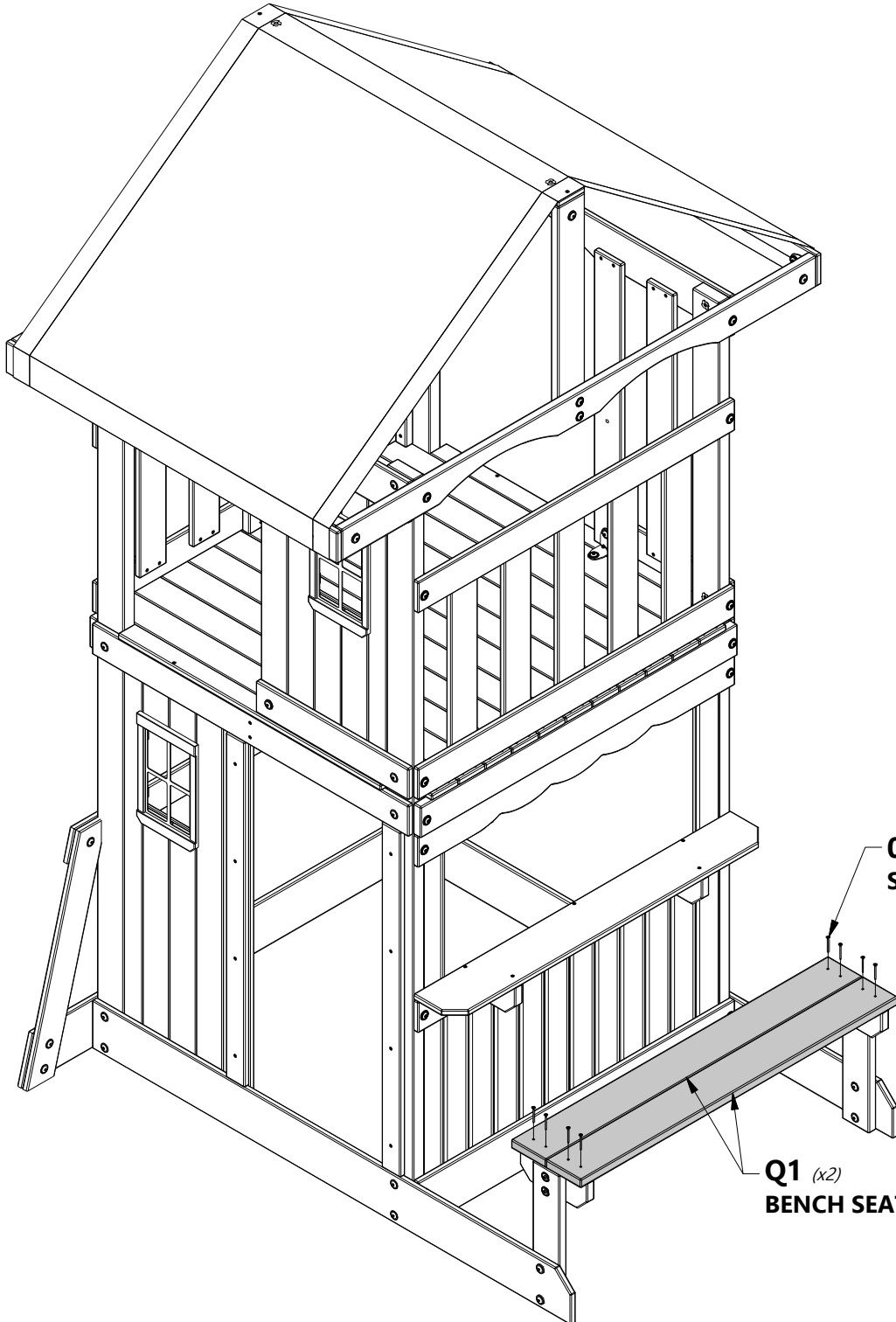
**074 (x4)**  
T-NUT - 5/16"



**Q1** | BENCH SEAT - W4L14710  
(x2) | 1"x4 3/8"x40 1/8" (24x112x1018)



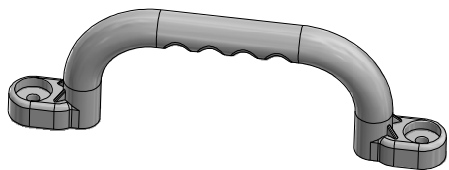
**H100089** | SCREW PFH  
(x8) | 8x1 3/4





# FORT ASSEMBLY

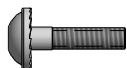
# STEP 28



**A6P00303** | HAND GRIP YELLOW PLASTIC  
(x2)



**H101027** | BOLT WH  
(x2) | 1/4x1-3/4



**H100137** | BOLT WH  
(x2) | 1/4x1



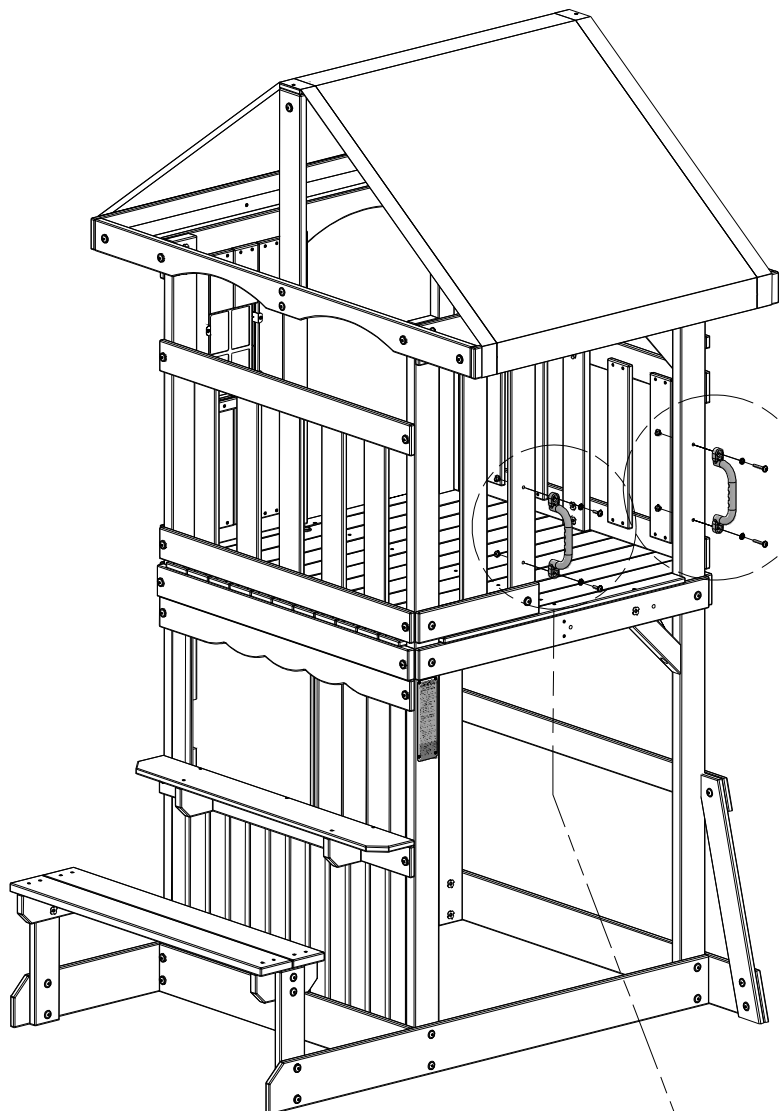
**H100138** | WASHER LOCK EXT  
(x4) | 6x15



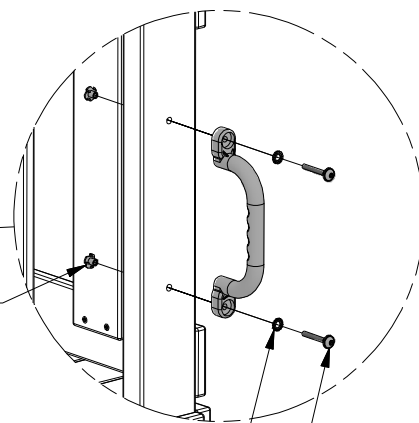
**H100072** | T-NUT  
(x4) | 1/4



**NOTE:**  
INSTALL T-NUTS INTO BOARDS  
BEFORE BOARD ASSEMBLY.



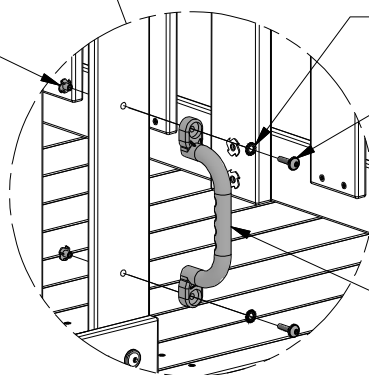
**072** (x2)  
T-NUT - 1/4"



**138** (x2)  
WASHER - 6x15

**027** (x2)  
BOLT - 1-3/4"

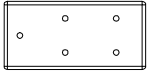
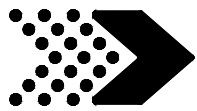
**072** (x2)  
T-NUT - 1/4"



**138** (x2)  
WASHER - 6x15

**137** (x2)  
BOLT WH - 1"

**303** (x2)  
HAND GRIP YELLOW PLASTIC



**N5** | DOOR STOP SUPPORT - W4L14708  
(x1) | 5/8"x2 3/8"x4 7/8" (16x60x125)



**J1** | DOOR STOP - W4L14671  
(x1) | 1"x2 3/8"x2" (24x60x50)



**H100086** | SCREW PFH  
(x3) | 8x1 1/2



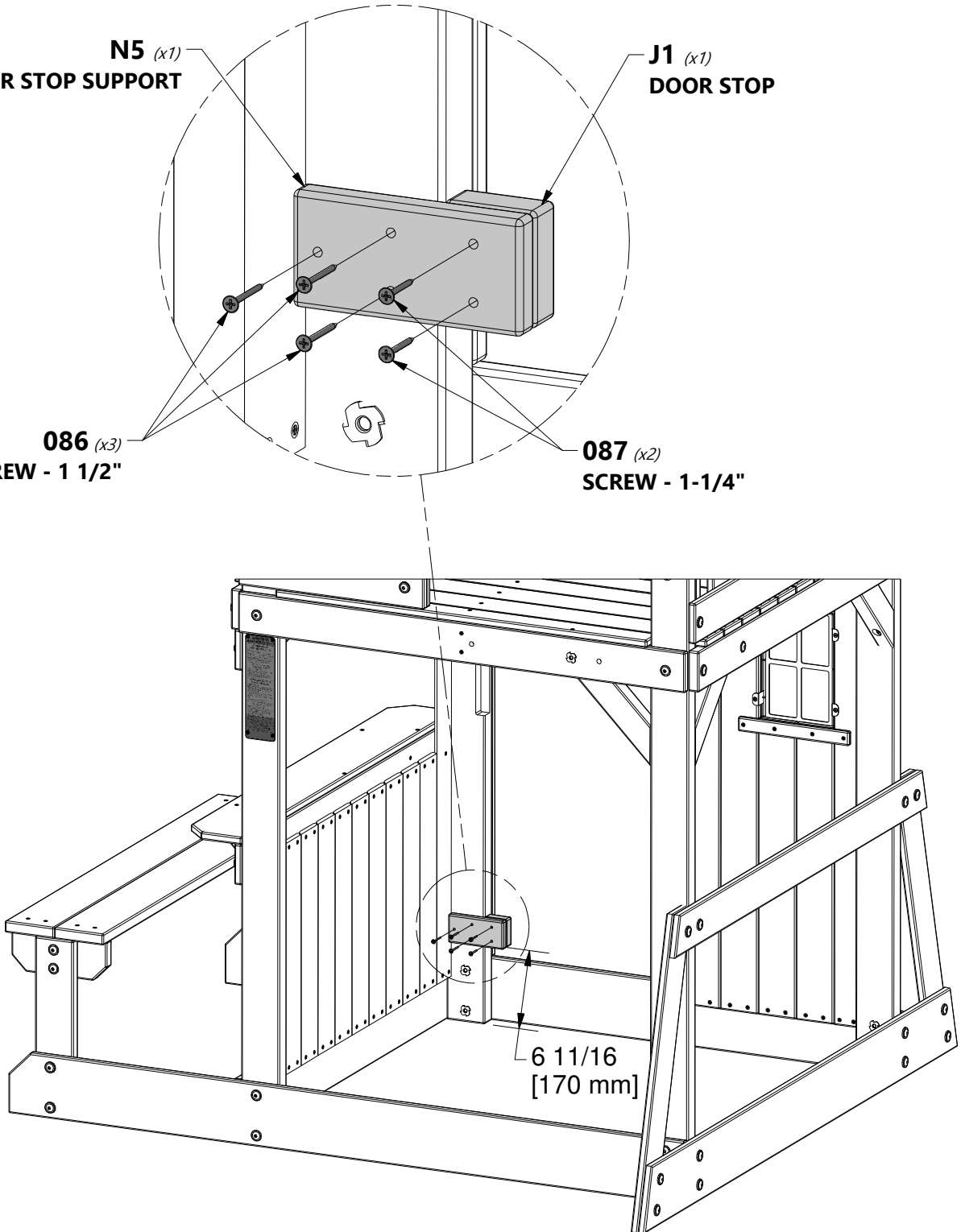
**H100087** | SCREW PFH  
(x2) | 8x1 1/4

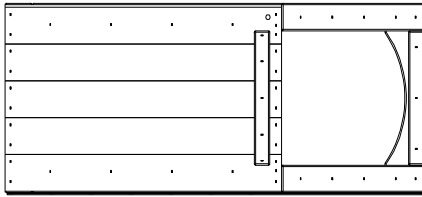
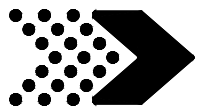
**N5** (x1)  
DOOR STOP SUPPORT

**J1** (x1)  
DOOR STOP

**086** (x3)  
SCREW - 1 1/2"

**087** (x2)  
SCREW - 1-1/4"

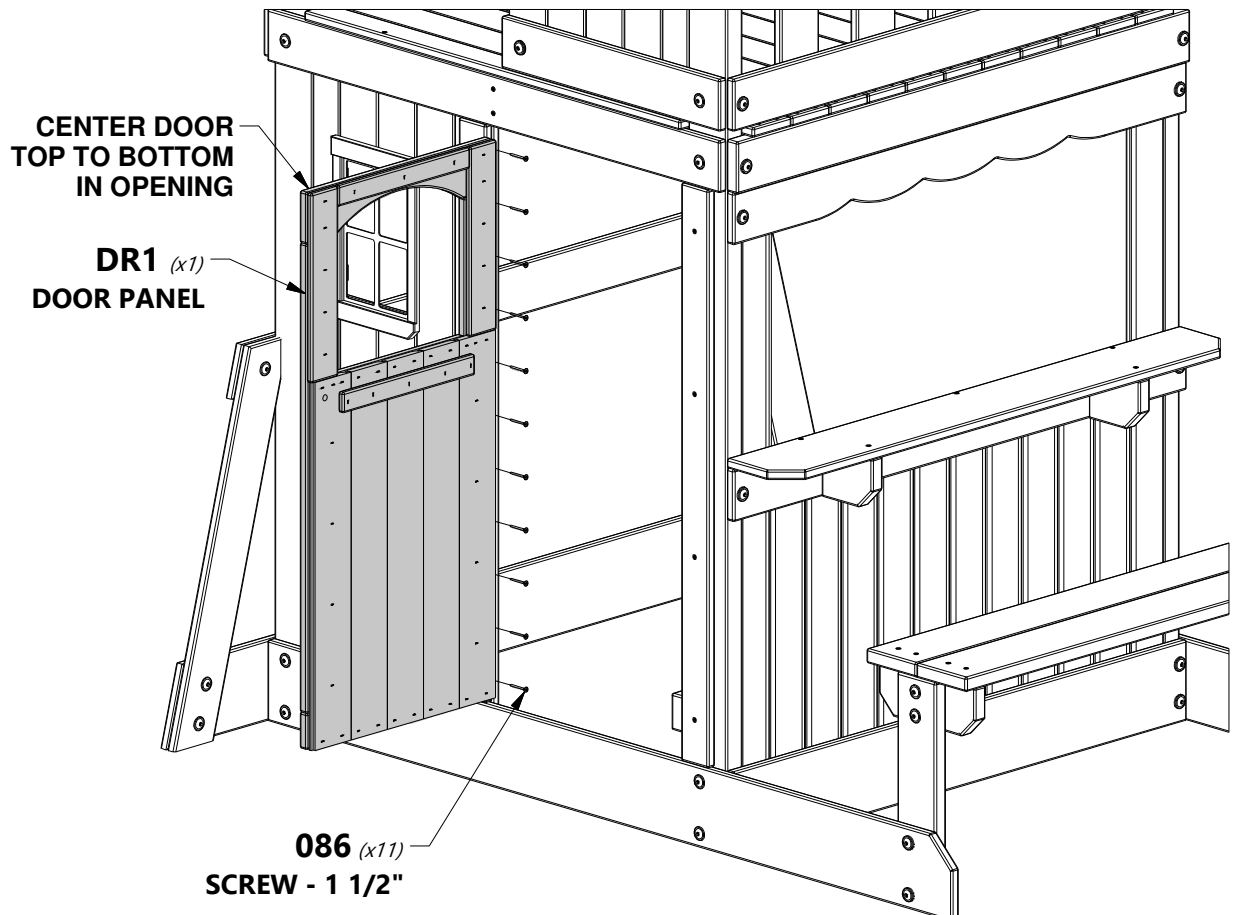
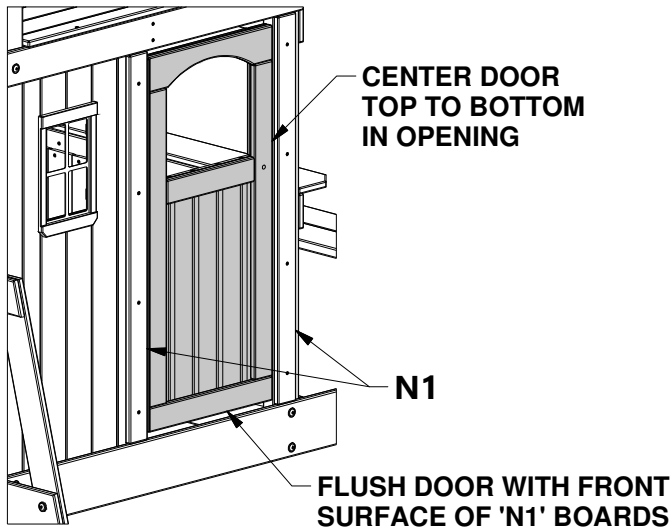


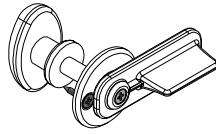
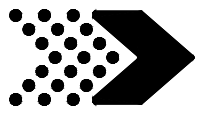


**DR1 | DOOR PANEL - W2A02866**  
(x1) | 1 1/2"x16 3/8"x36 3/8" (38x416x924)

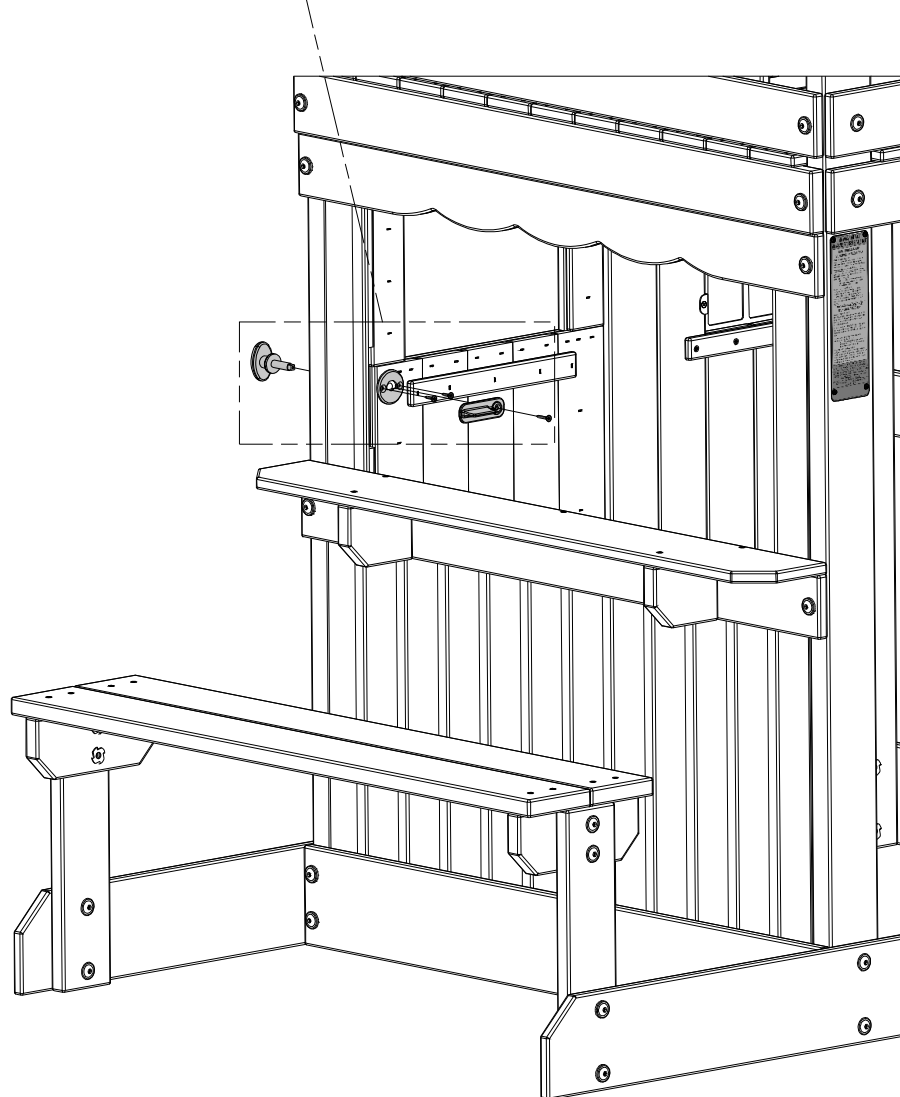
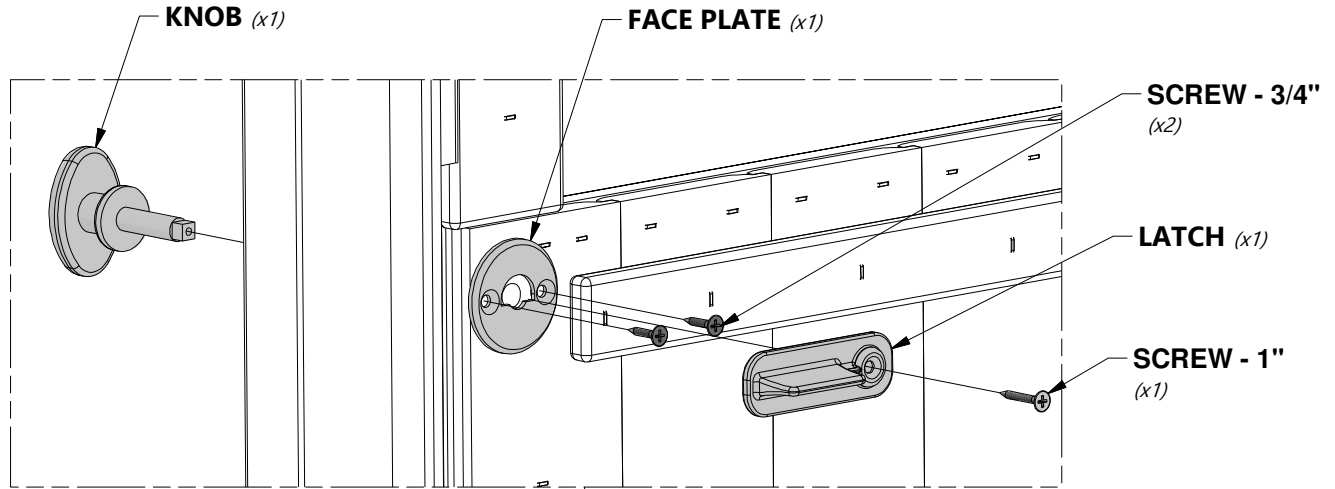


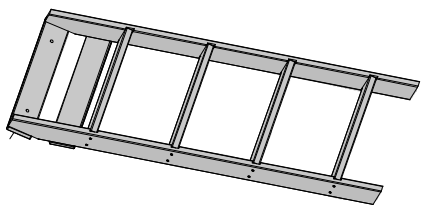
**H100086 | SCREW PFH**  
(x11) | 8x1 1/2





A6P00020 | LATCHING KNOB KIT  
(x1)





(x1) | LADDER ASSEMBLY



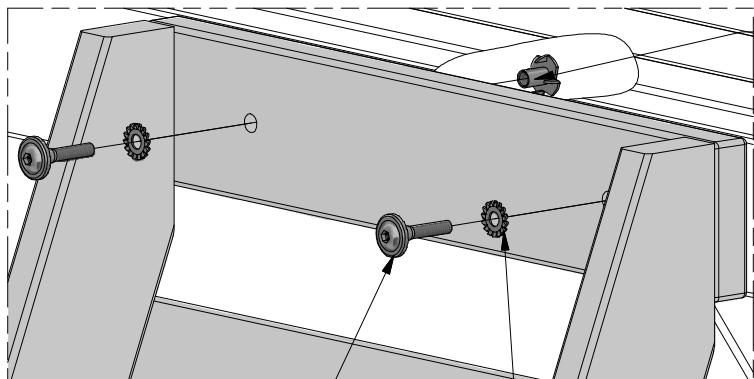
H100010 | BOLT WH  
(x2) | 5/16x1-1/2



H100030 | WASHER LOCK  
(x2) | EXT  
8x19



H100074 | T-NUT  
(x2) | 5/16



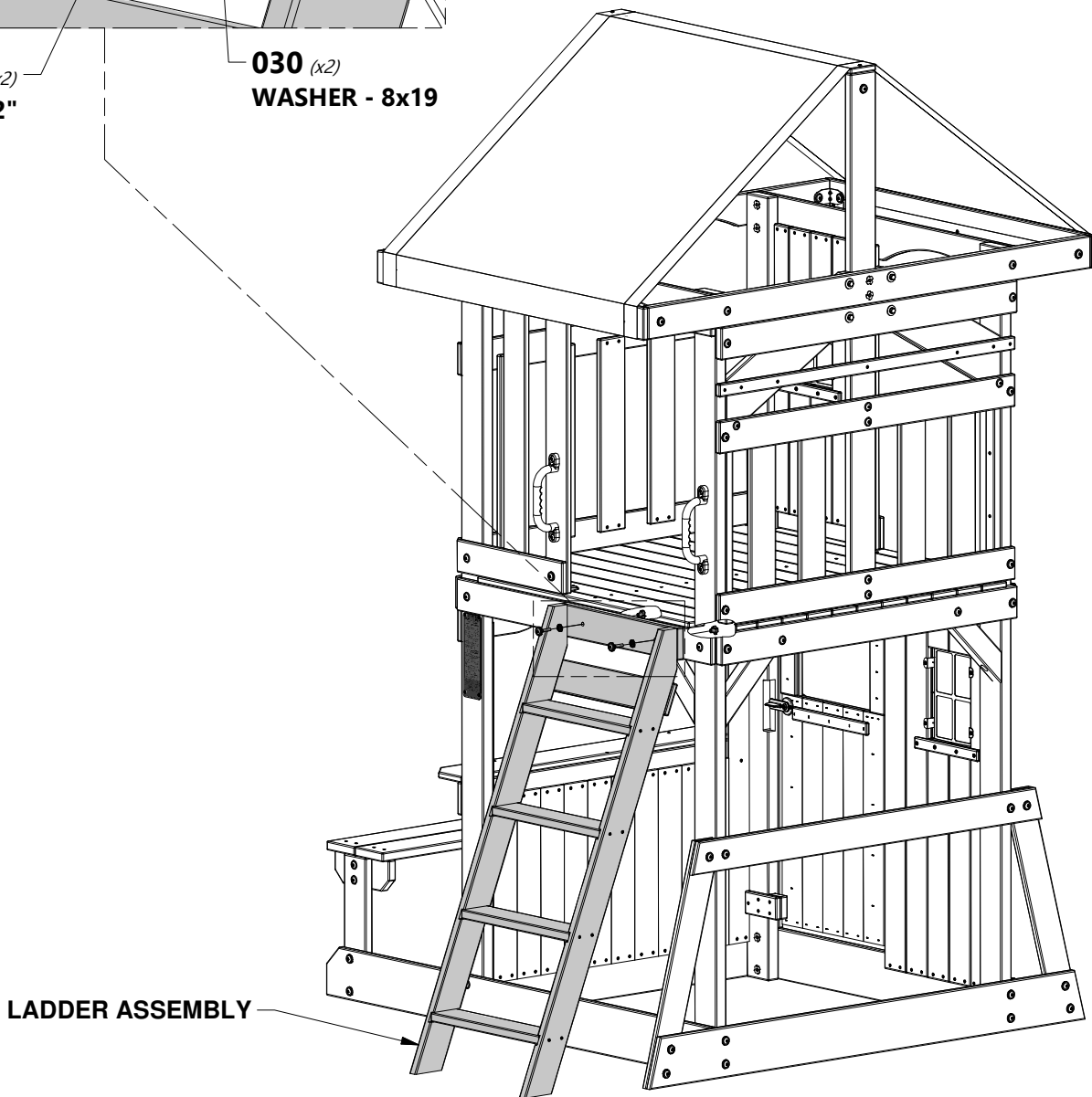
010 (x2)  
BOLT - 1 1/2"

030 (x2)  
WASHER - 8x19

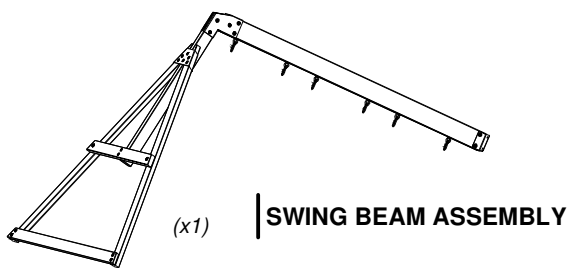
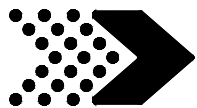
074 (x2)  
T-NUT - 5/16"



**NOTE:**  
INSTALL T-NUTS INTO BOARDS  
BEFORE LADDER ASSEMBLY.



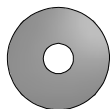
LADDER ASSEMBLY



**A100164** | **BYD ID TAG (LARGE) AGES 3-10**  
(x1)



**H100044** | **BOLT HEX**  
(x4) | 5/16x2



**H100105** | **WASHER FLAT**  
(x4) | 8x27



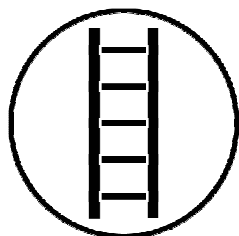
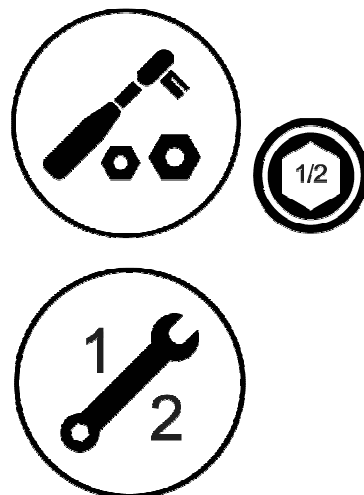
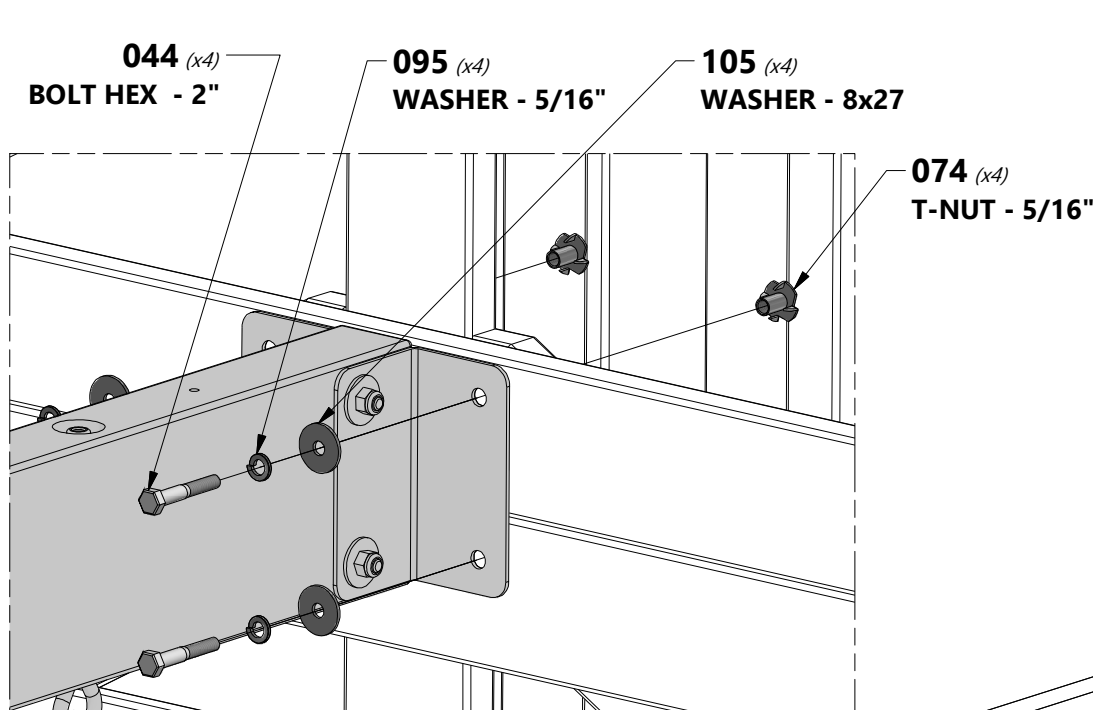
**H100095** | **WASHER SPLIT**  
(x4) | 5/16



**H100074** | **T-NUT**  
(x4) | 5/16

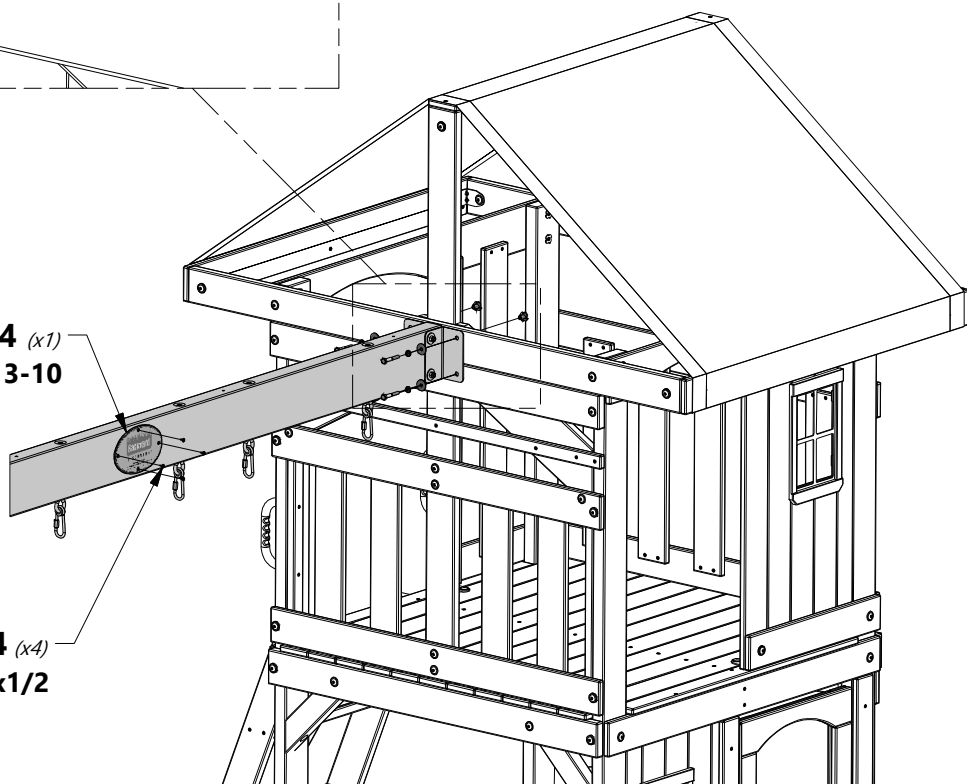


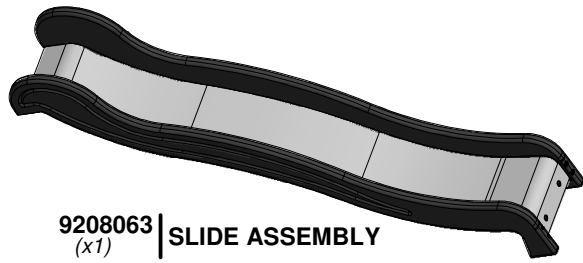
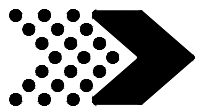
**H100124** | **SCREW PFH**  
(x4) | 8 x 1/2



**164 (x1)**  
**BYD ID TAG (LARGE) AGES 3-10**

**124 (x4)**  
**SCREW PFH 8x1/2**

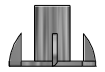




**9208063** | SLIDE ASSEMBLY  
(x1)



**H100115** | BOLT WH  
(x3) | 5/16x1/2

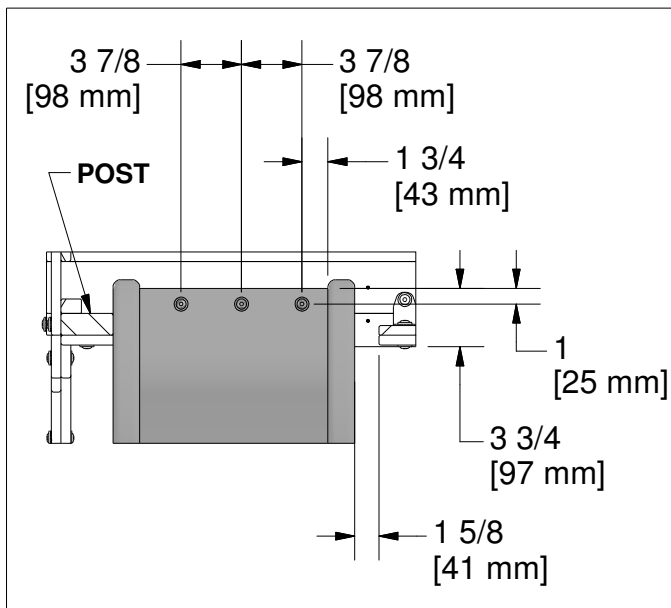
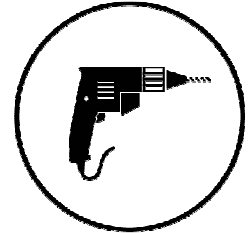


**H100074** | T-NUT  
(x3) | 5/16



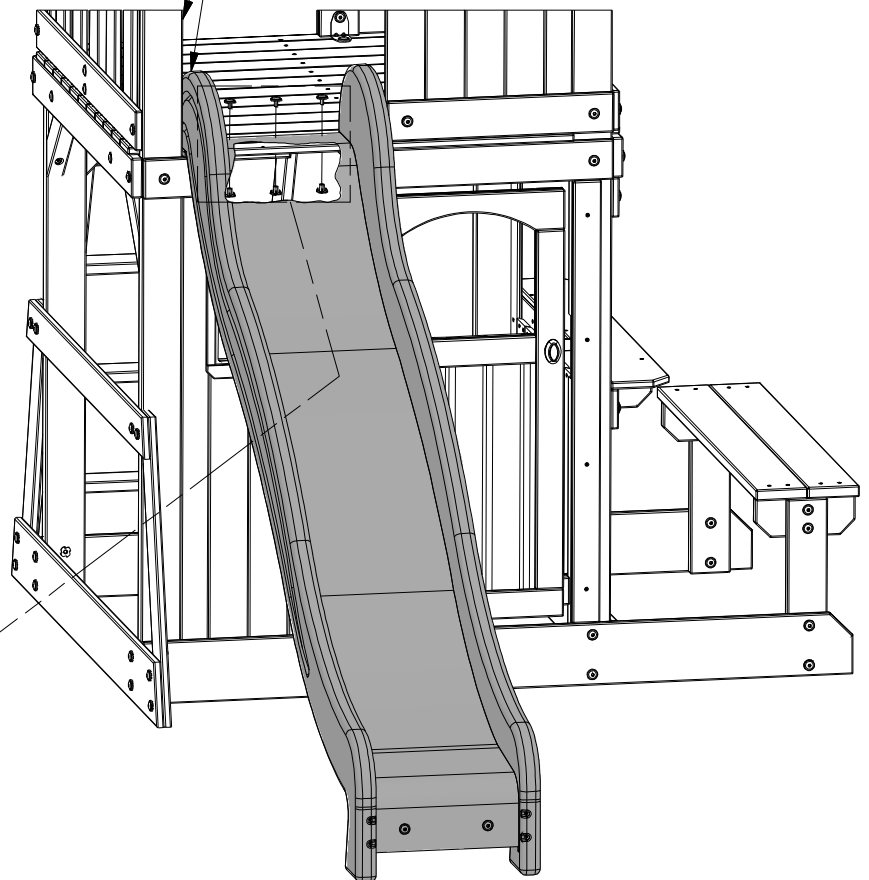
**NOTE:**

1. DRILL (3) 7/16" DIA HOLES THROUGH SLIDE BED AND DECK AT LOCATIONS SHOWN.
2. INSTALL T-NUTS INTO DECK BOARDS BEFORE INSTALLATION OF SLIDE.

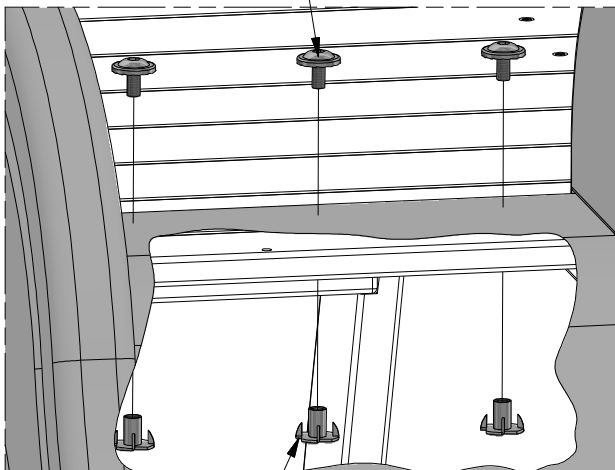


**DRILL PATTERN**

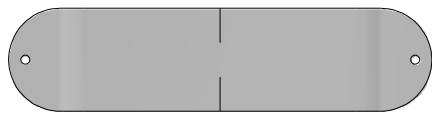
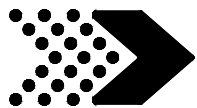
**INSTALL SLIDE AGAINST POST AS SHOWN.**



**115 (x3)**  
BOLT - 1/2"



**074 (x3)**  
T-NUT - 5/16"



**A100171** | SWING SEAT YELLOW 22"  
(x2)



**A100069** | QUICK LINK  
(x4)

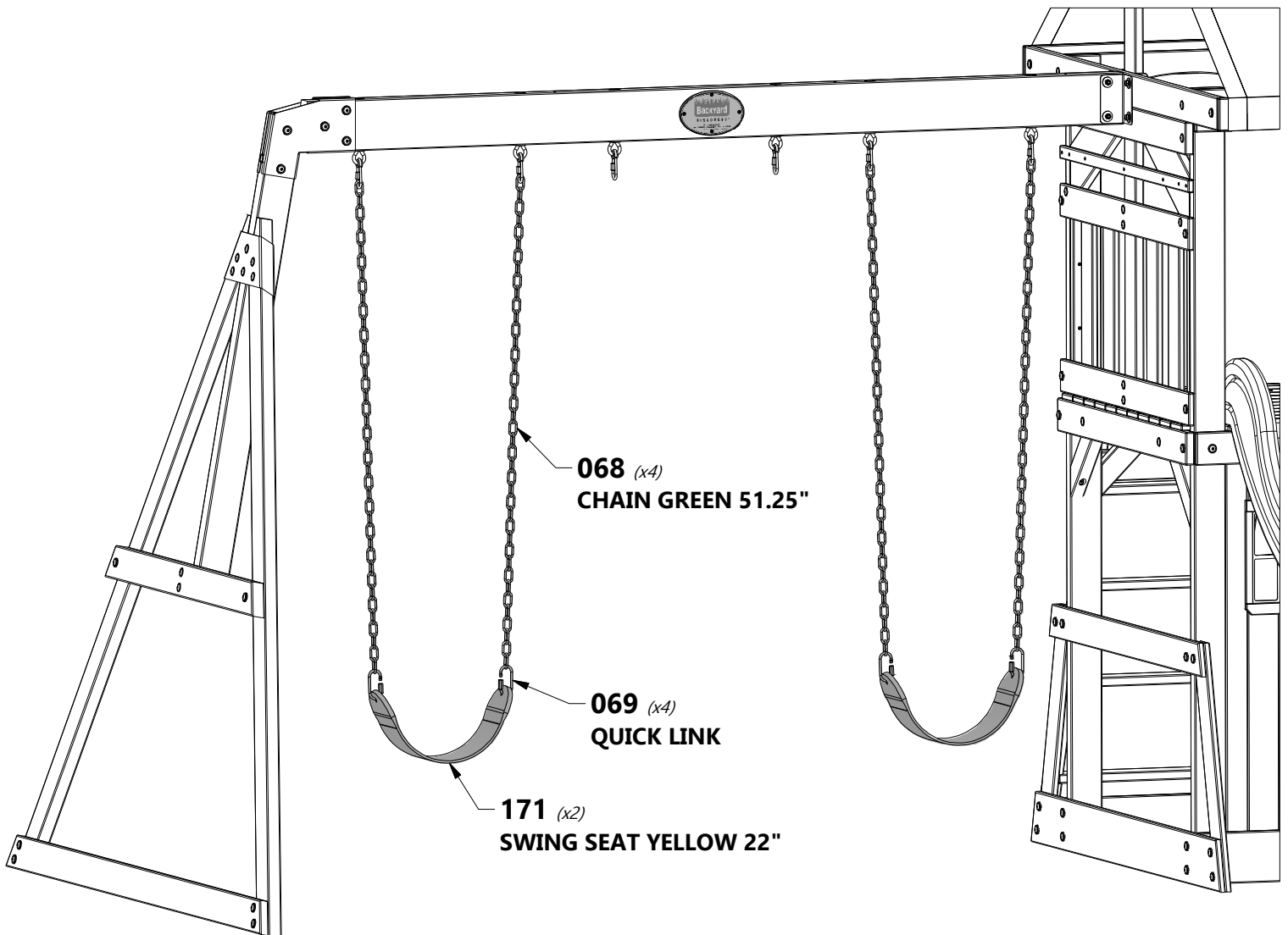
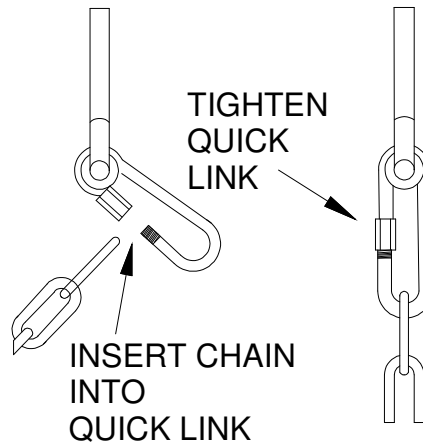


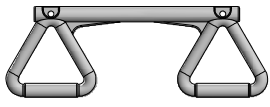
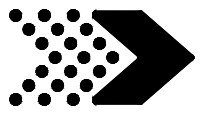
**A100068** | CHAIN GREEN 51.25"  
(x4)



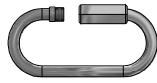
**NOTE:**

WHEN HANGING YOUR SWINGS IT IS RECOMMENDED THAT THE BOTTOM OF THE SWING SEAT, WHEN SITTING ON IT, IS LOCATED NO LOWER THAN (35 cm) 13 7/8 INCHES FROM THE GROUND.





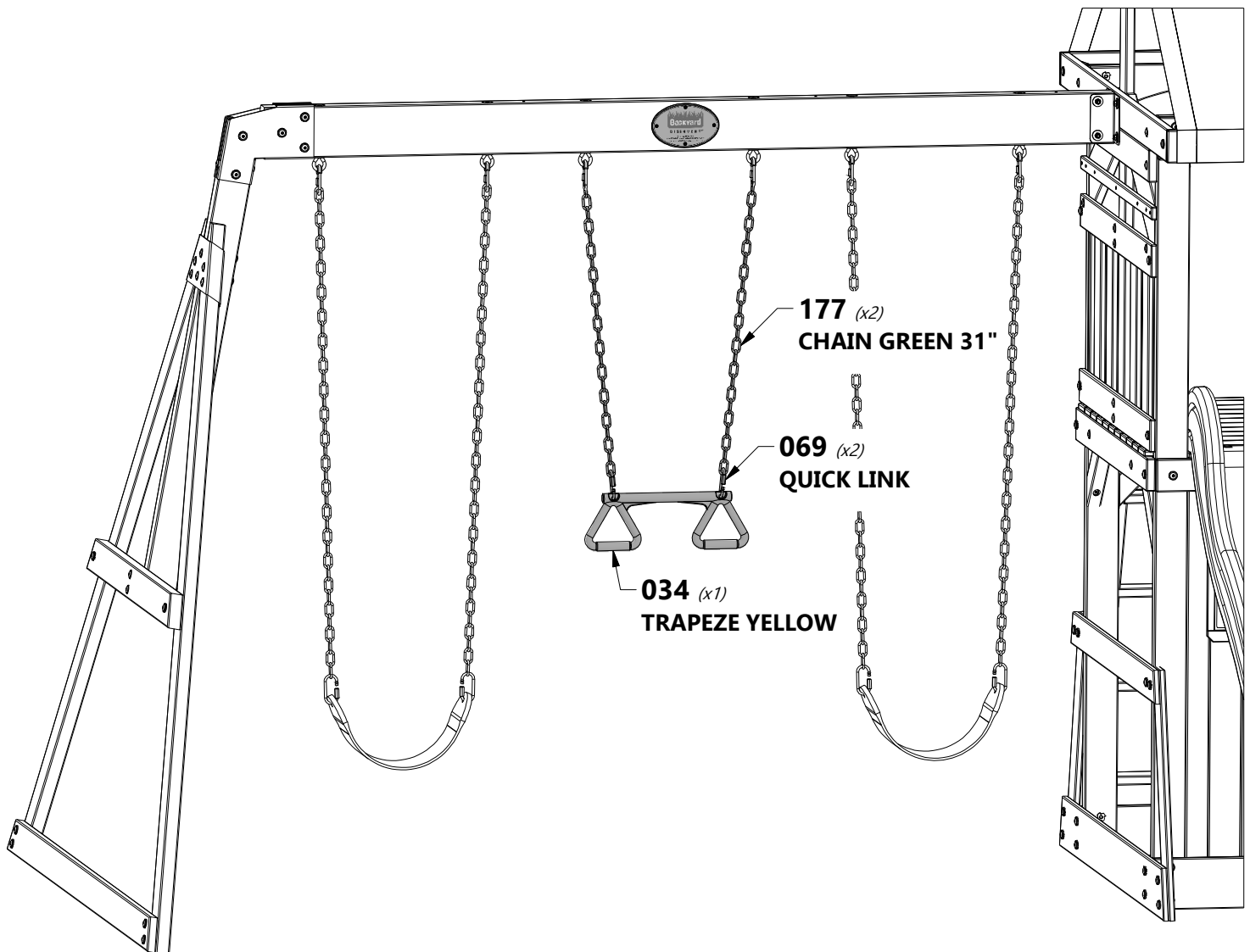
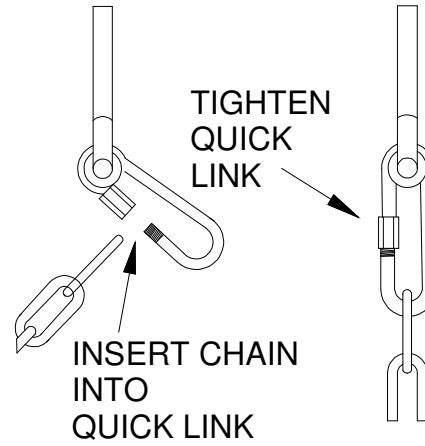
**A6P00034** | **TRAPEZE YELLOW**  
(x1)



**A100069** | **QUICK LINK**  
(x2)

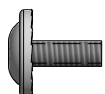


**A100177** | **CHAIN GREEN 31"**  
(x2)





**A100178** | AUGER GROUND STAKE  
(x6)



**H100222** | BOLT WH  
(x4) | 5/16x3/4



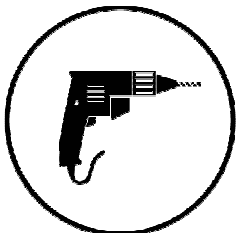
**H100008** | BOLT WH  
(x2) | 5/16x1



**H100031** | WASHER LOCK EXT  
(x6) | 12x19

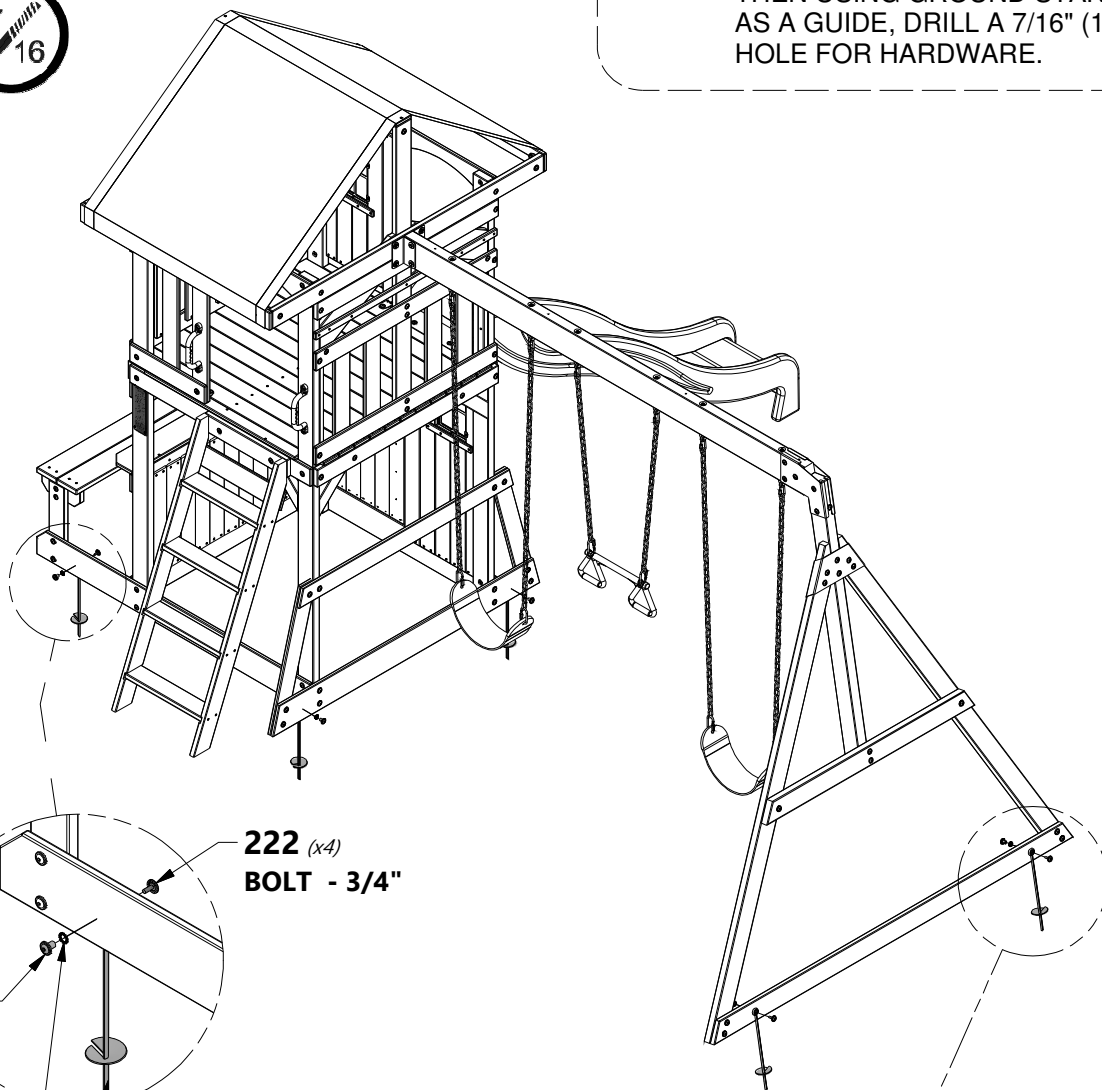


**H100004** | NUT BARREL WH  
(x6) | 5/16 x 5/8



### NOTE:

TWIST GROUND STAKE INTO THE GROUND WHERE SHOWN. THEN USING GROUND STAKE AS A GUIDE, DRILL A 7/16" (10mm) HOLE FOR HARDWARE.



**222** (x4)  
BOLT - 3/4"

**004** (x4)  
NUT BARREL - 5/8"

**031** (x4)  
WASHER - 12x19

**178** (x4)  
AUGER GROUND STAKE

**004** (x2)  
NUT BARREL - 5/8"

**031** (x2)  
WASHER - 12x19

**178** (x2)  
AUGER GROUND STAKE

**008** (x2)  
BOLT - 5/16x1"



### NOTE:

GROUND STAKE LOCATIONS REPEAT ON OPPOSITE SIDE.