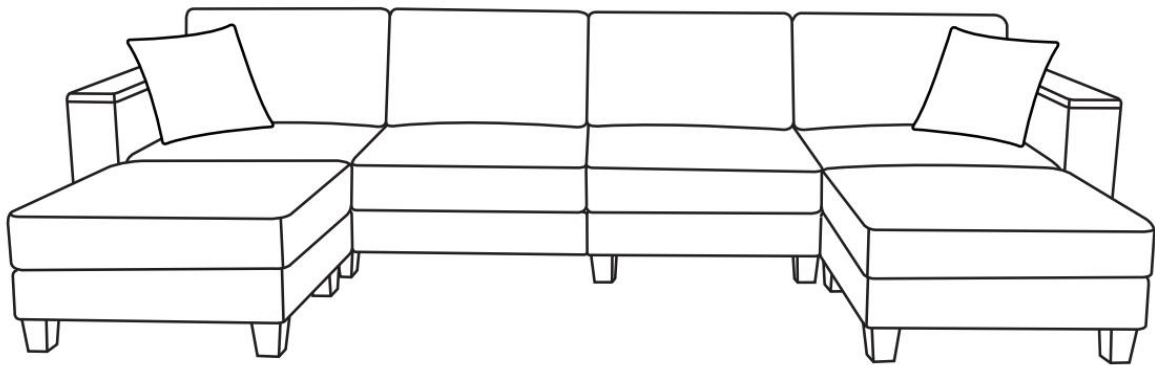


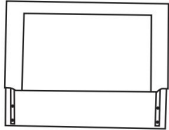
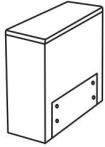
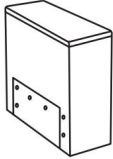
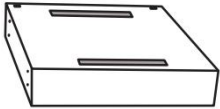
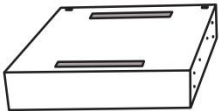


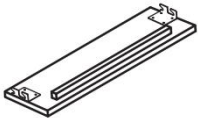
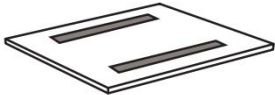
Assembly Instructions

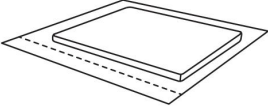
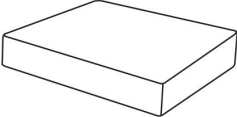
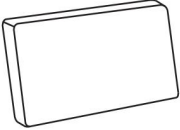
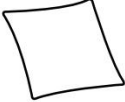






Note: Please help to read my instruction before you ready to assemble.






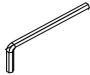
SOFA



Part List

Label	Picture	Description	QTY (PCS)
A		Backrest	4
B		Left Armrest	1
C		Right Armrest	1
D		Left Seat Frame	1
E		Middle Seat Frame	1
F		Ottoman Frame	2
G		Back Rail	2
H		Front Rail	2
I		Seat Panel	2

J		Seat Cushion Package	6
J1		Seat Cushion	6
K		Back Cushion	4
L		Pillow	2
M		Leg	18
<u>Hardware</u>			
①		Wood dowel (M8)	8
②		"L" Iron Connect Plate	4
③		Plastic Washer	19
④		Screw Arbor (M8*70mm)	5
⑥		Bolt (M8*25mm)	9

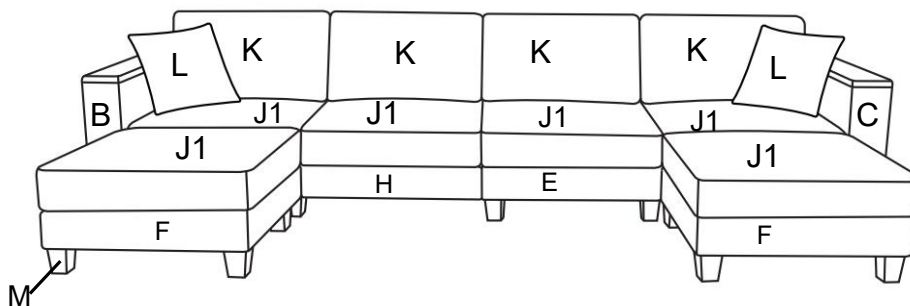
⑦		Bolt (M8*45mm)	17
⑧		Flat Washer	29
⑨		Spring Washer	29
⑩		Nut	5
⑪		Spanner	1
⑫		Allen Wrench (S5)	1

NOTICE:

- Please read the instruction from cover to cover in detail.Thanks.
- Installed by at least two adults
- To avoid damaging your furniture , Please don't assemble on flooring or carpet.
- Please assemble on a clean non-marring surface, example for packing foam.
- Saving all packaging until have finished.

Assembly Steps:

OVERVIEW

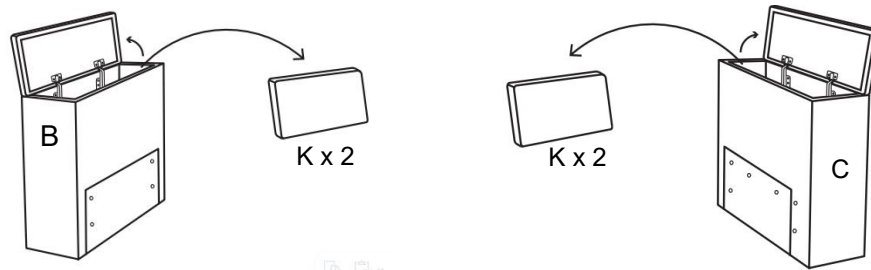


FRONT FACING

This SOFA has multiple parts and may require up to 45 minutes to assemble. To give you an overview of the SOFA parts, the above picture is to help you put the various parts into perspective. Please read through the instructions below to familiarise yourself with the parts and steps before assembly.

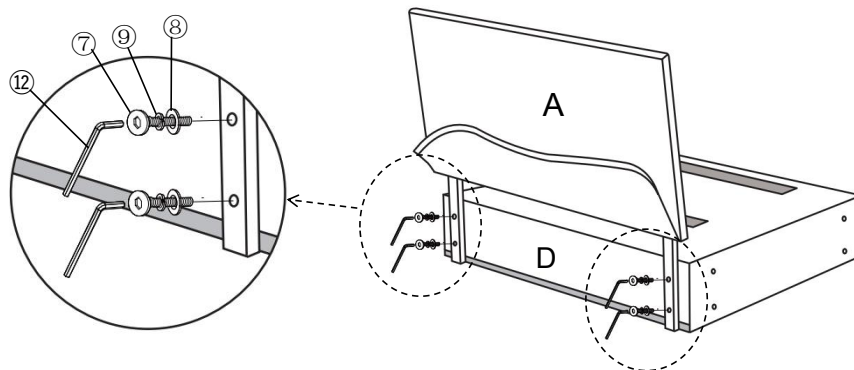
Note: It is recommended that you have an adult partner to assist during the entire assembly process.

Step 1



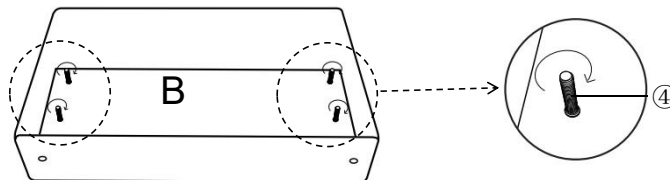
Remove four Back Cushions(K) from Left Armrest(B) and Right Armrest(C).

Step 2



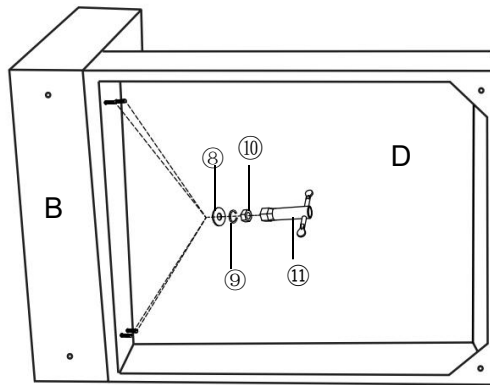
Install the Backrest (A) and Left Seat Frame (D) by using Bolt(7), Sping Washer (9), Flat Washer(8) with Allen Wrench(12), turning clockwise until tight as shown.

Step 3



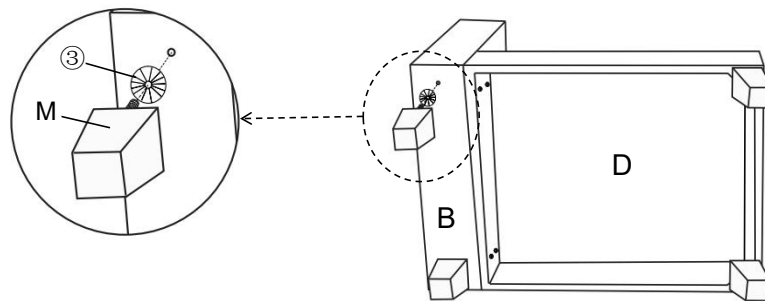
Insert the short end of four Screw Arbor(4) into Left Armrest (B), and turning clockwise until tight as shown.

Step 4



Install the Left Armrest(B) to Left Seat Frame(D) by using Nut (10) Spring Washer (9) Flat Washer(8) with Spanner (11),turning clockwise until tight.

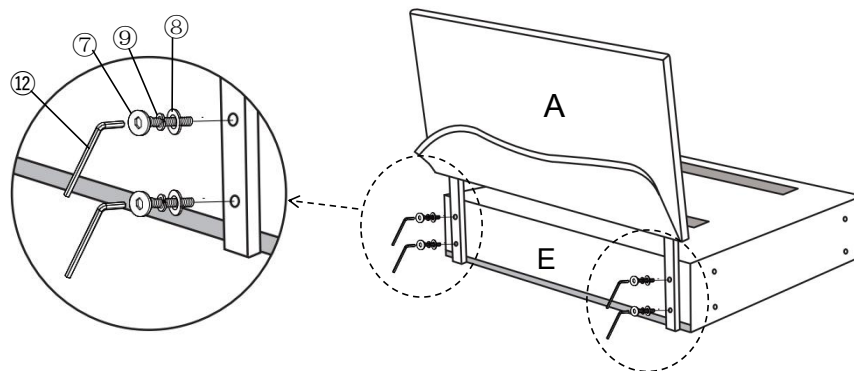
Step 5



Install the Leg(M) at the bottom of Left Seat Frame(D) and Left Armrest(B) by placing Plastic Washer(3) on the threaded stem. Then insert the threaded stem into the threaded mounting position at the bottom of Left Seat Frame(D) and Left Armrest(B),turning clockwise until tight.

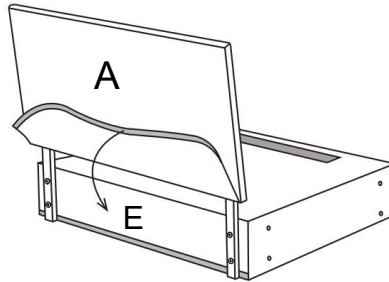
Note: The use of Plastic Washer(3) are OPTIONAL and are especially useful to help alleviate slight wobbleness. Some Legs may need more than one Plastic Washer(3) whilst some Legs may not need any.

Step 6



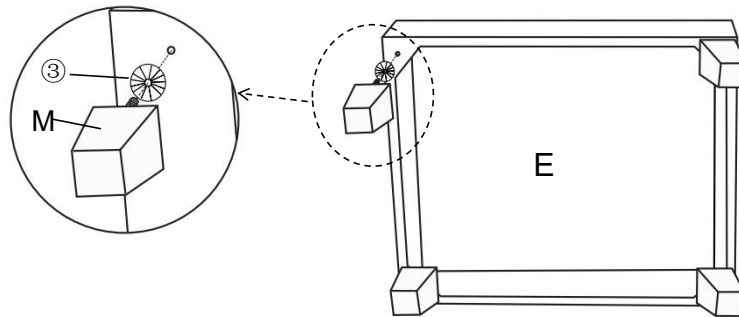
Install the Backrest (A) and Middle Seat Frame (E) by using Bolt(7), Spring Washer (9),Flat Washer(8) with Allen Wrench(12),turning clockwise until tight as shown.

Step 7



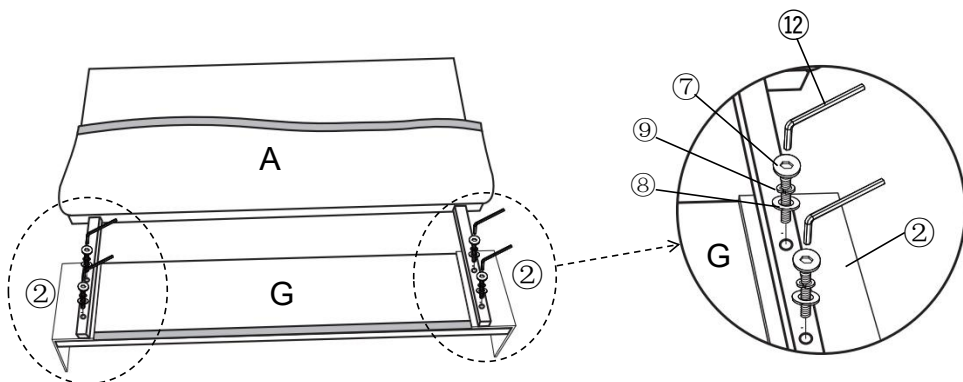
Attach the magic tape to the back of the Middle Seat Frame(E).

Step 8



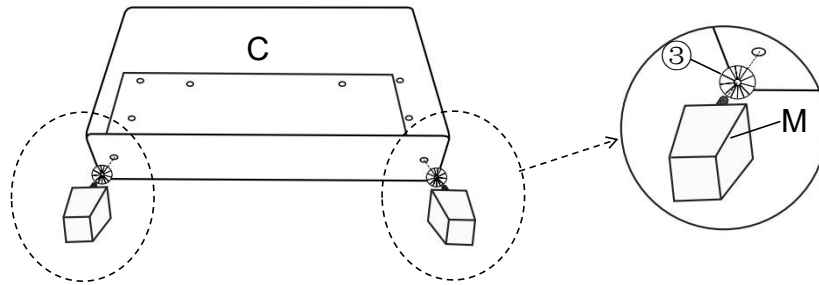
Repeat step 5 to install the Legs (M) on the Middle Seat Frame (E).

Step 9



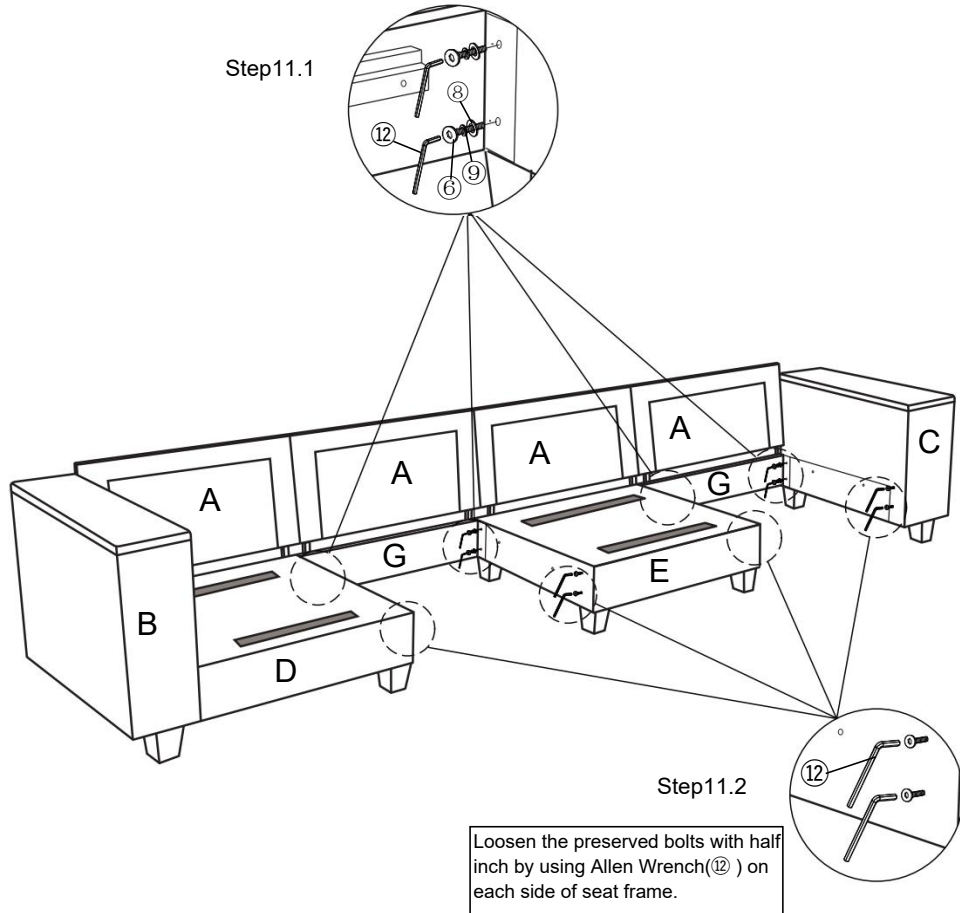
Install the Backrest(A) and Back Rail (G) by using "L " Iron Connect plate(2), then using Bolt(7) Sping Washer (9)Flat Washer(8) with Allen Wrench(12), then turn over and tighten all bolts clockwise. Repeat this step with the other one.

Step 10



Repeat step 5 to install the Legs (M) on the Right Armrest(C).

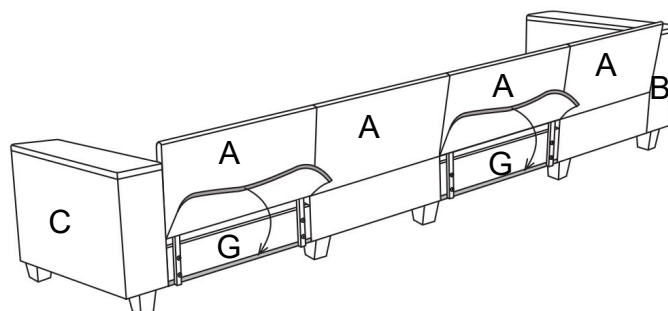
Step 11



Step11.1 Connect the Left Seat (Step 5) ,Middle Seat (Step 8) and Right Armrest (C) with Semi-assembly Parts (Step 9) by using Bolt(8), Sping Washer (9),Flat Washer(3) with Allen Wrench(12),turning clockwise until tight.

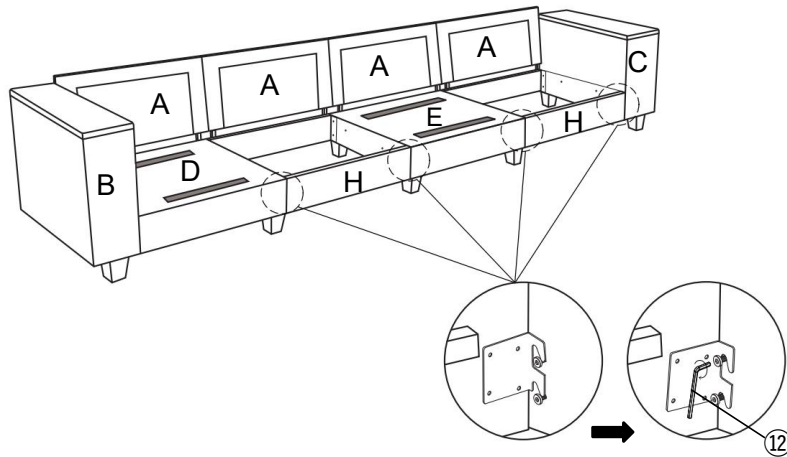
Step11.2 Loosen the preserved bolts with half inch by using Allen Wrench(12) on each side of seat frame.

Step 12



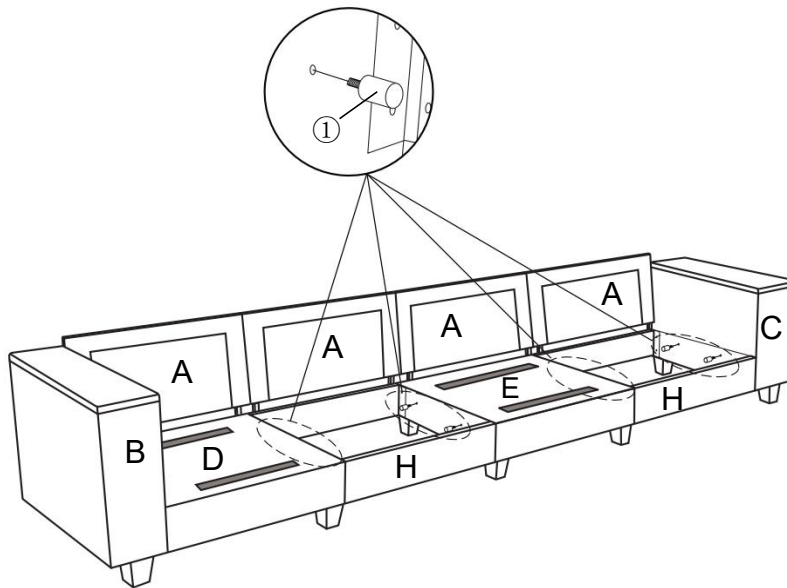
Attach the magic tape to the back of the Back Rail (G).

Step 13



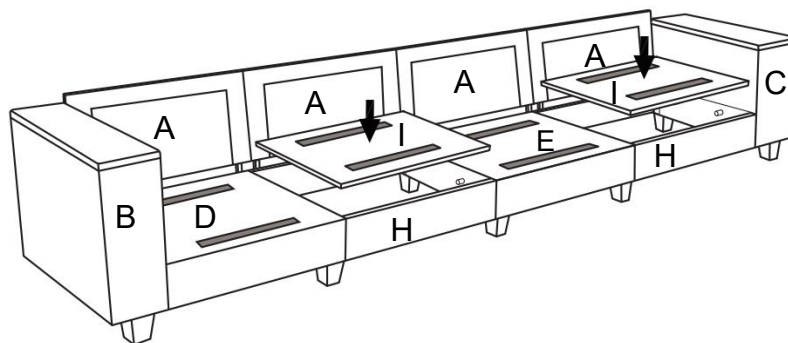
Slide the hook of Front Rail(H) into the bolts on the side of seat frame as picture shown, then tighten the bolts.

Step 14



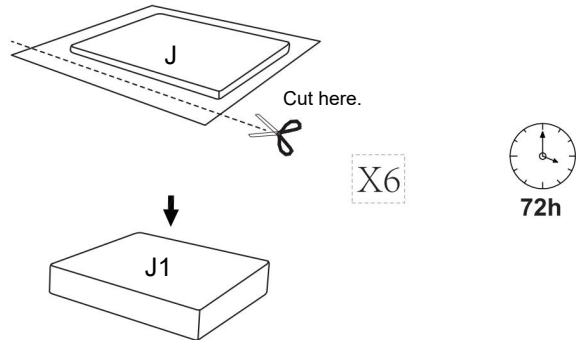
Install eight Wood dowels (1) into the preformed hole.

Step 15



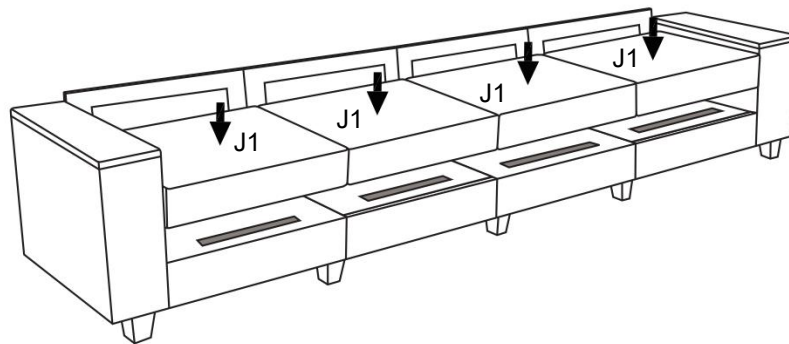
Put the Seat Panels (I) on the position.

Step 16



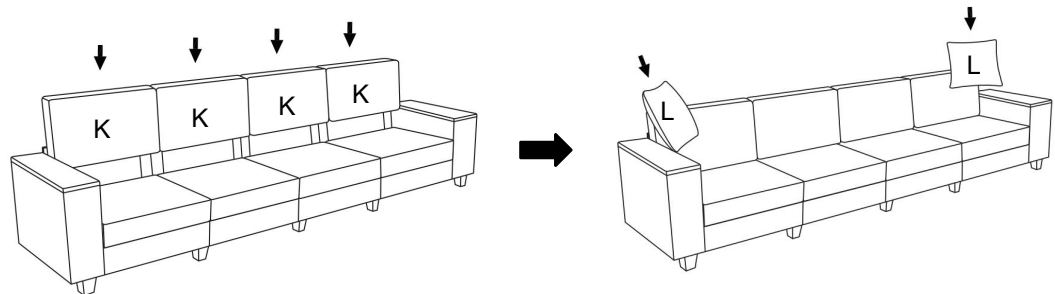
Cut the Seat Cushion Packages (J) , then take out Seat Cushions (J1).Fully decomposition may take up to 72 hours.

Step 17



Put the Seat Cushions (J1) on your sofa.

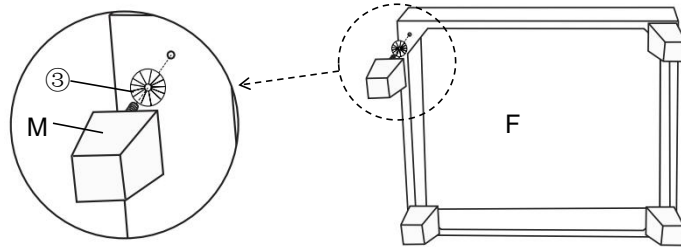
Step 18



Put the four Back Cushions (K) and two Pillows (L) on your sofa.

Step 19

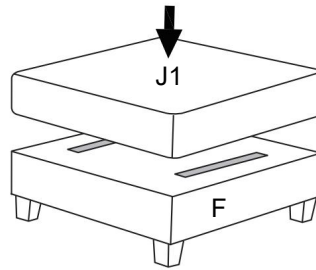
X 2



Repeat step 5 to install the Legs (M) on the two ottomans.

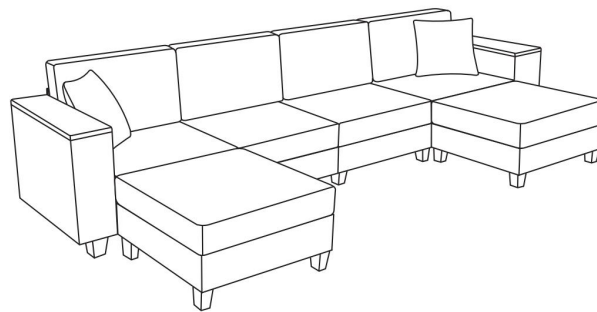
Step 20

X 2



Put the Seat Cushions (J1) on ottoman seats.

COMPLETE



Your sofa is ready for use !