

# ASSEMBLY INSTRUCTION



File Cabinet

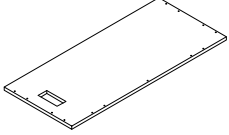
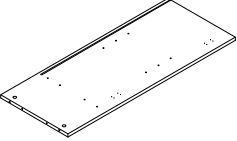
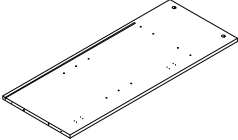
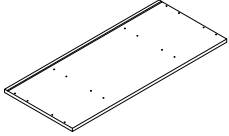
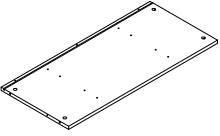
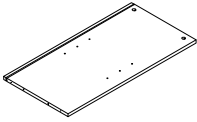
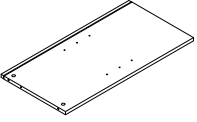
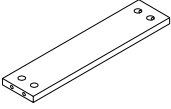
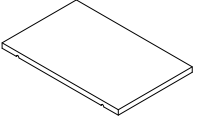
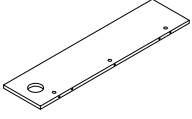
## INTRODUCTION

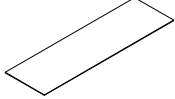
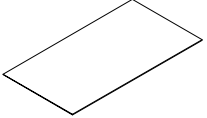
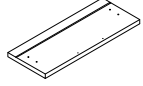
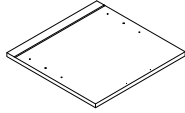
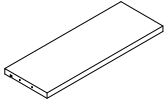
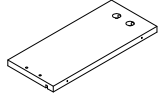
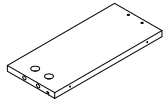
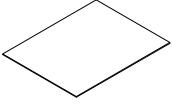
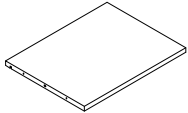
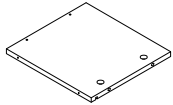
Thank you for purchasing our products. Please read the instructions carefully before installation and keep it in a safe place for future reference. If you need any assistance or support, please feel free to contact our customer support team.

## PRECAUTIONS

1. There are many components and accessories in the package. Each component and accessory is labeled with a letter or a number, check carefully before using any of them. Keep them away from children to prevent accidents.
  2. Please install the product on a clean and soft underlay (such as carpet or cardboard) to avoid scratching or damaging the surface of the product.
  3. The main components of the product is relatively heavy. Please pay attention to safety during installation.
  4. The product is not stable during installation. Please do not move it randomly before it is completely installed.
  5. If you have any questions during installation, please contact the customer service in time.
- \* Please be sure to follow the installation steps in the manual to avoid unnecessary losses caused by improper installation.
  - \* If you need further assistance, please contact the customer service online.

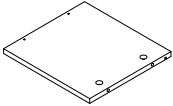
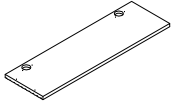
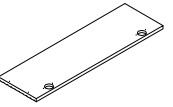
## Parts List

ID	Parts	QTY
1		1
2		1
3		1
4		1
5		1
6		1
7		1
8		1
9		2
10		1

ID	Parts	QTY
11		2
12		1
13		2
14		1
15		2
16		2
17		2
18		3
19		1
20		1


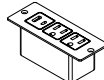











---

## Hardware List

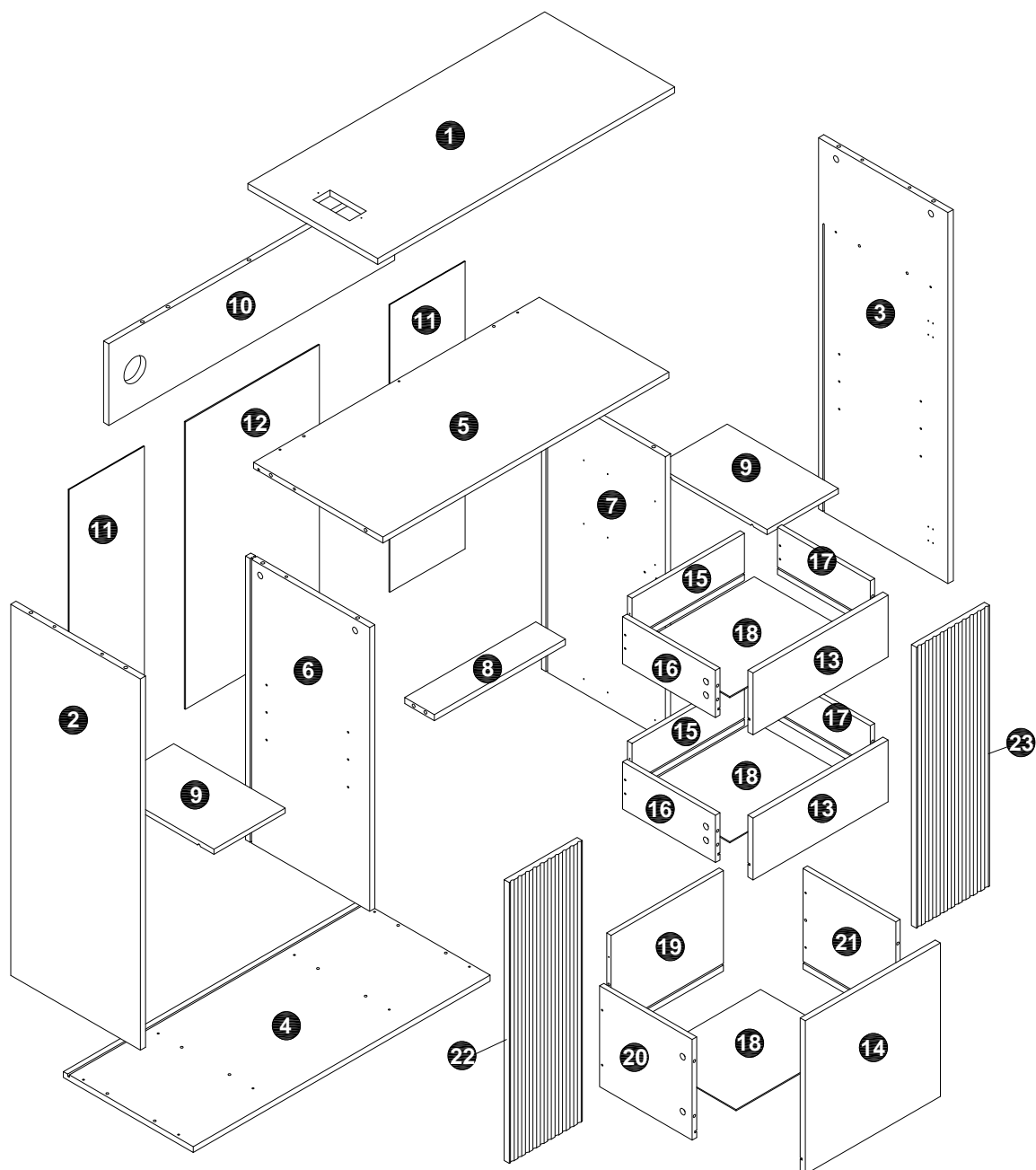
ID	Parts	QTY
<b>21</b>		<b>1</b>
<b>22</b>		<b>1</b>
<b>23</b>		<b>1</b>

## Hardware List

ID	Parts	QTY
<b>A</b>	Ø6*33.5mm 	31+3
<b>B</b>	Ø15*9.5mm 	31+3
<b>C</b>	Ø6*30mm 	28+2
<b>D</b>	Ø5*50mm 	11+2
<b>E</b>	Ø4*38mm 	12+1
<b>F</b>	Ø4*14mm 	24+4
<b>G</b>		5
<b>H</b>	Ø3.5*12mm 	42+4
<b>I</b>		4
<b>J</b>		3

ID	Parts	QTY
<b>K</b>		2
<b>L</b>		1
<b>M</b>	Ø5*16mm 	8
<b>N</b>	Ø3*15mm  	12+1
<b>O</b>		1
<b>P</b>		31+3
<b>Q</b>		1
<b>R</b>	Ø3.5*12mm 	20+2
	 <u>CL</u>  <u>CR</u>  <u>DL</u>  <u>DR</u>	3 SET

## Parts List

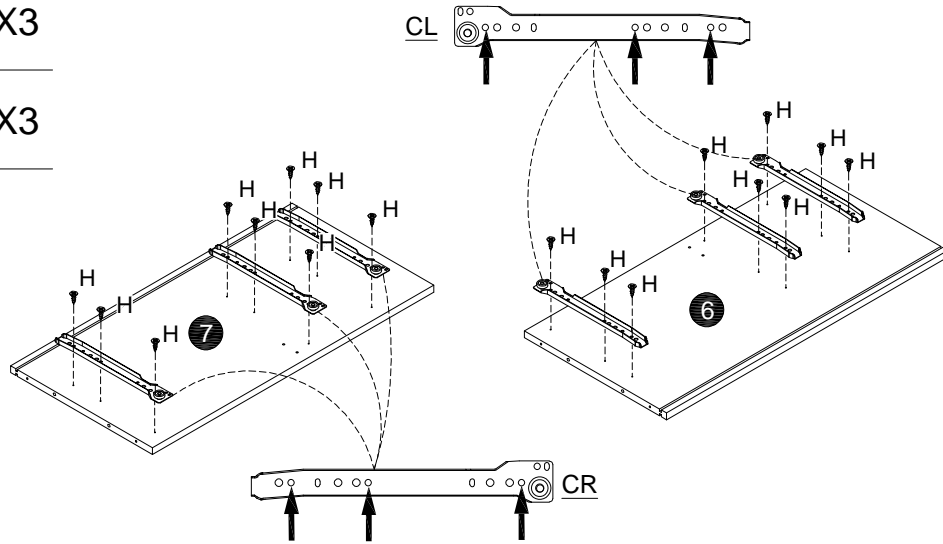


## STEP 1

 **H** X18

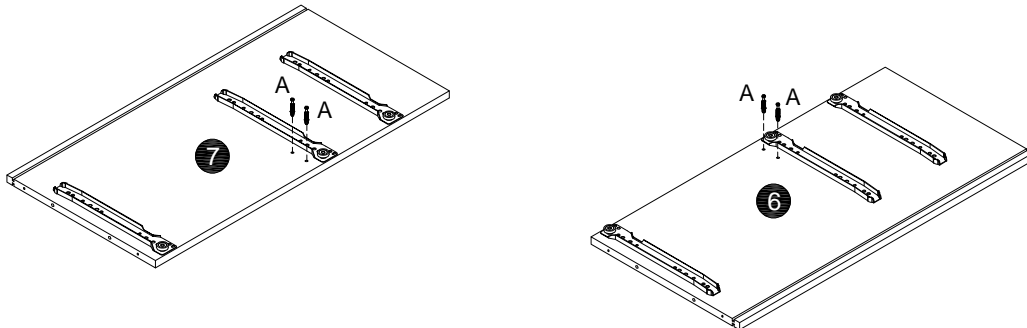
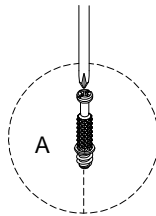
 **CL** X3

 **CR** X3



## STEP 2

 **A** X4



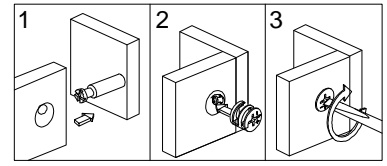
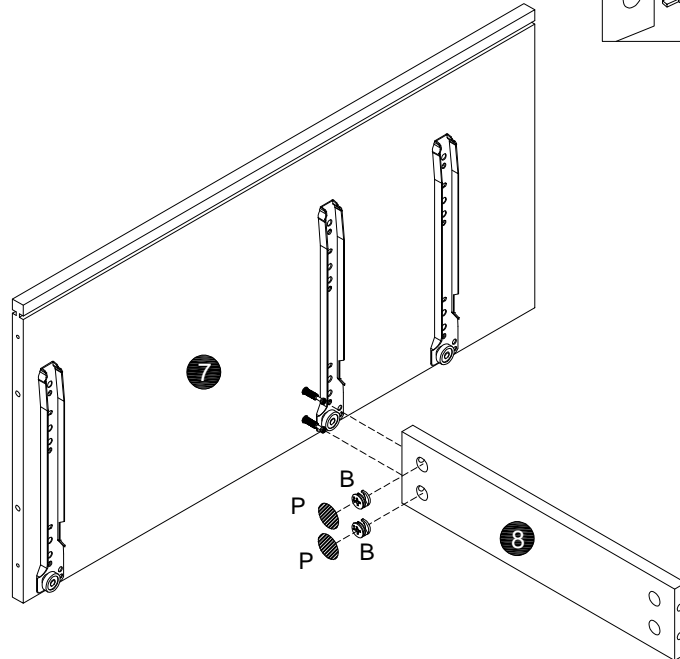
## STEP 3



**B** X2



**P** X2



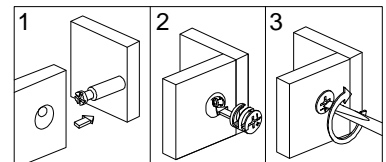
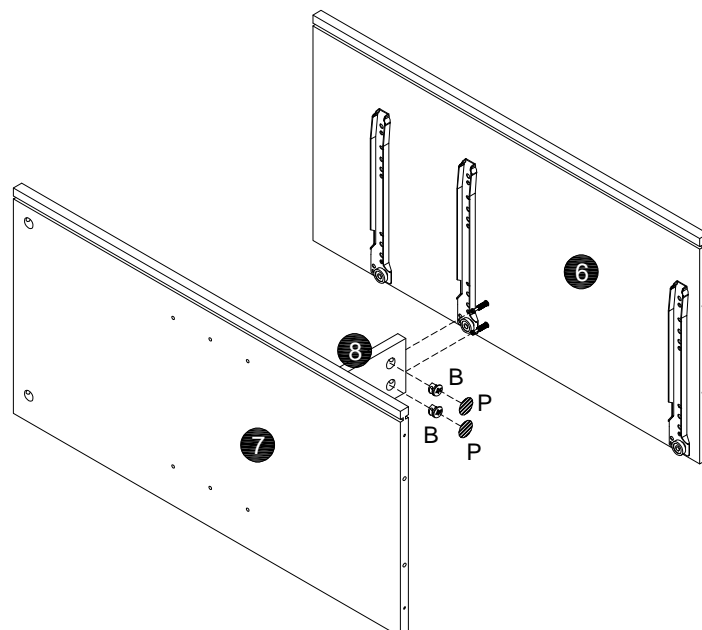
## STEP 4



**B** X2

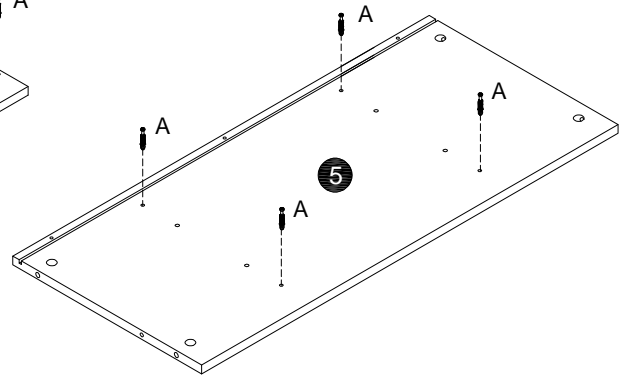
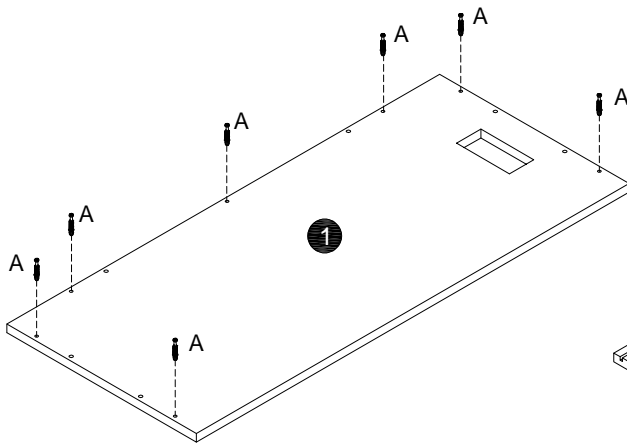
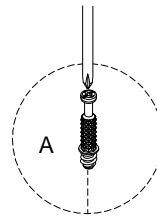
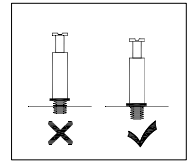


**P** X2



# STEP 5

 **A** X11

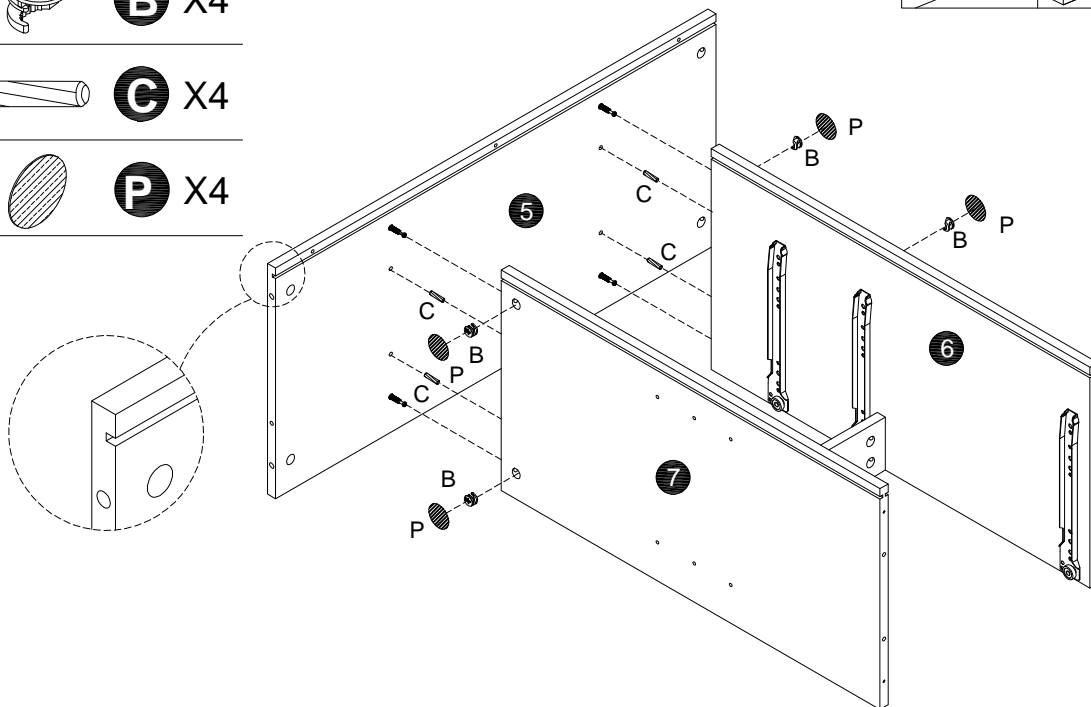
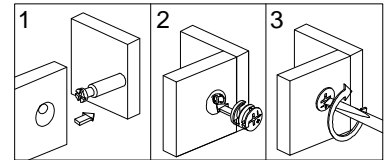


# STEP 6

 **B** X4

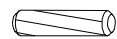
 **C** X4

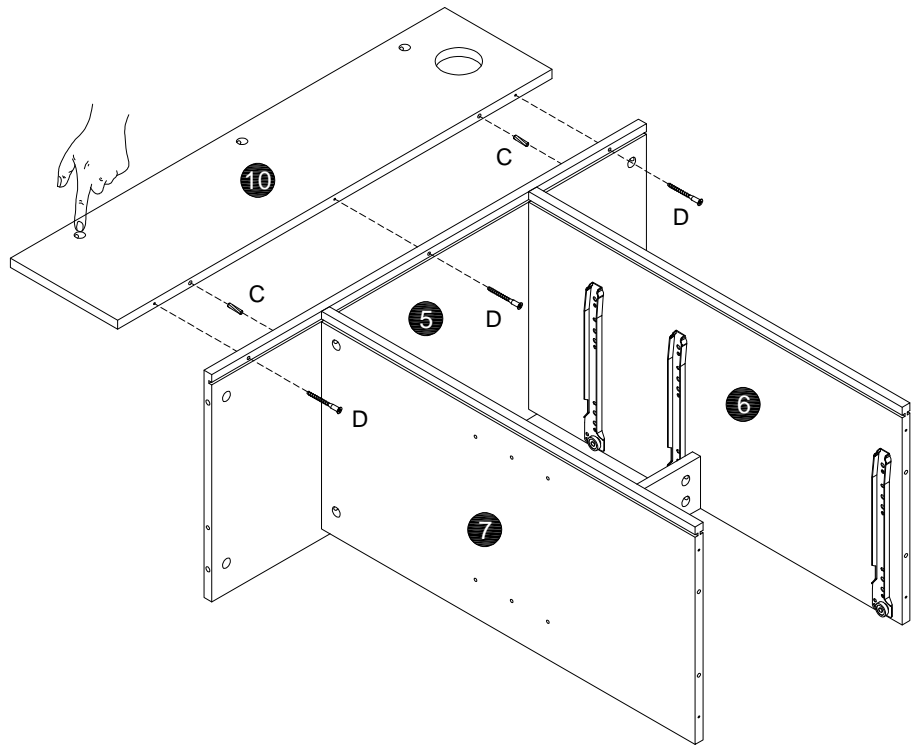
 **P** X4



## STEP 7

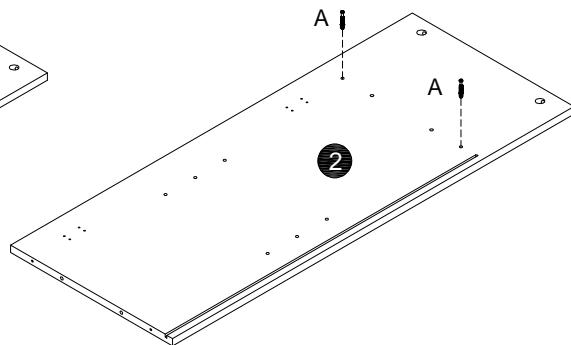
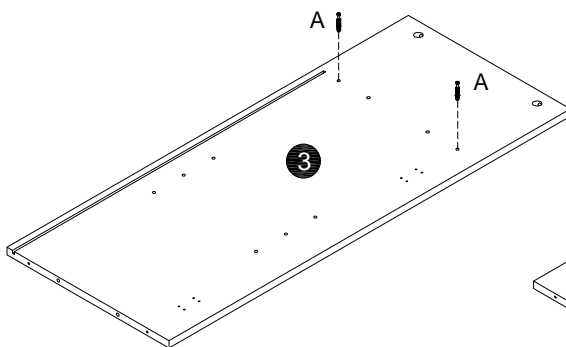
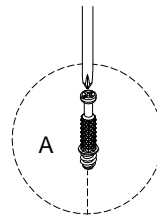
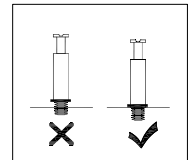
 **D** X3

 **C** X2



## STEP 8

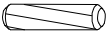
 **A** X4



# STEP 9



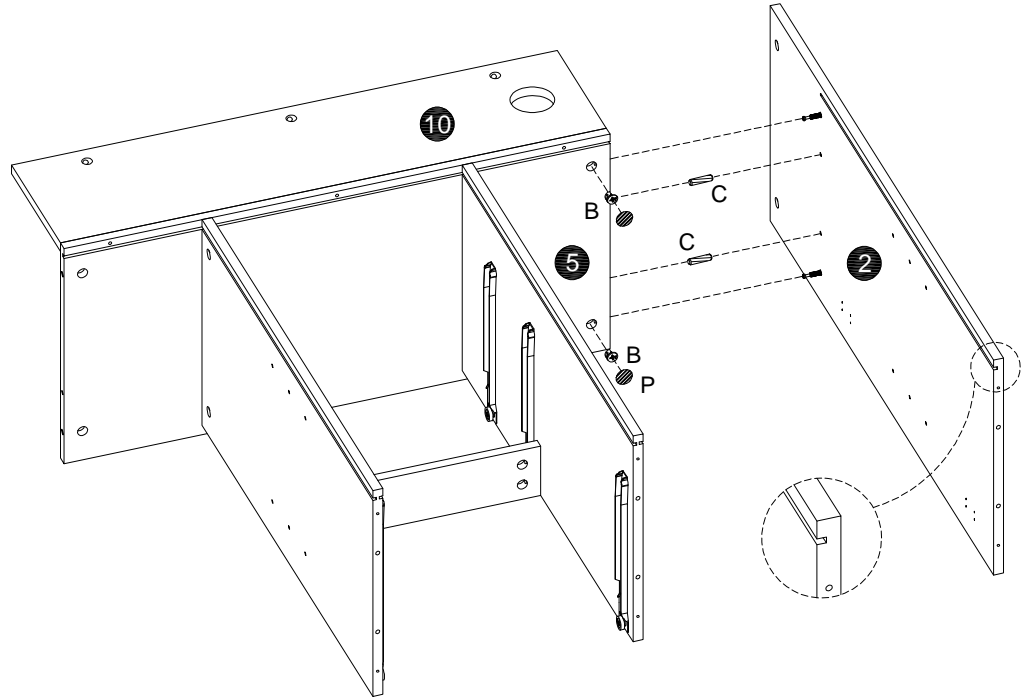
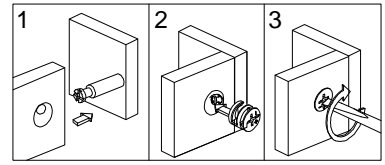
**B** X2



**C** X2



**P** X2



# STEP 10



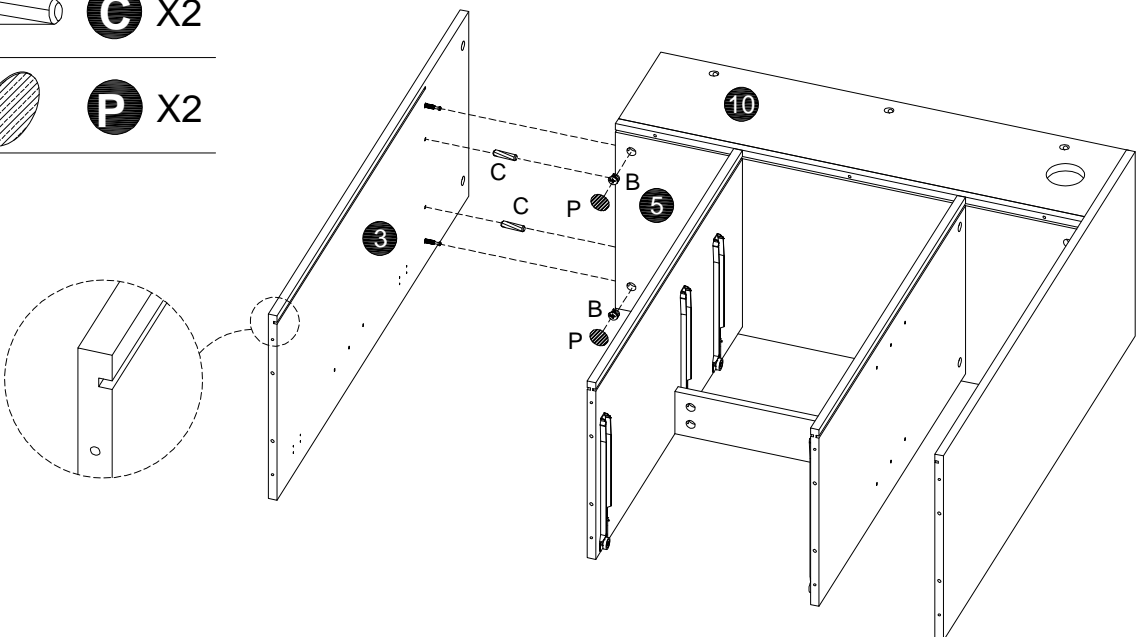
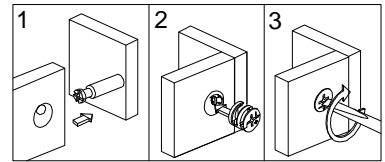
**B** X2



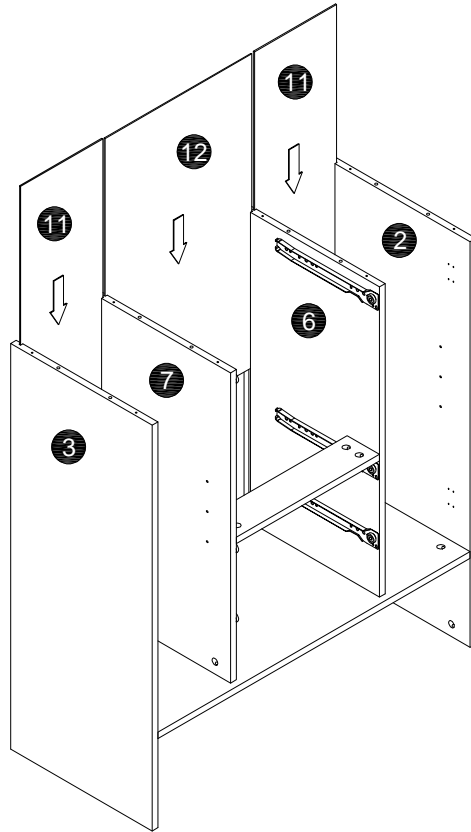
**C** X2



**P** X2



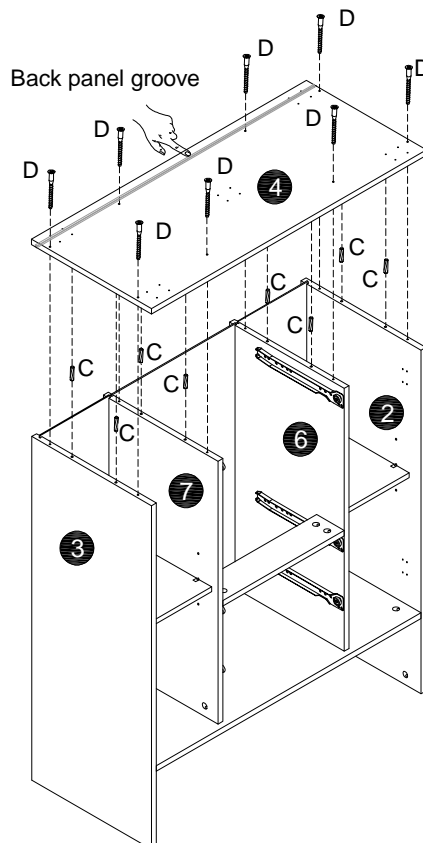
## STEP 11




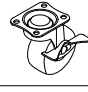

## STEP 12

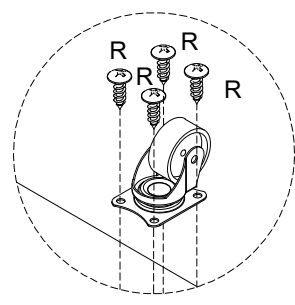
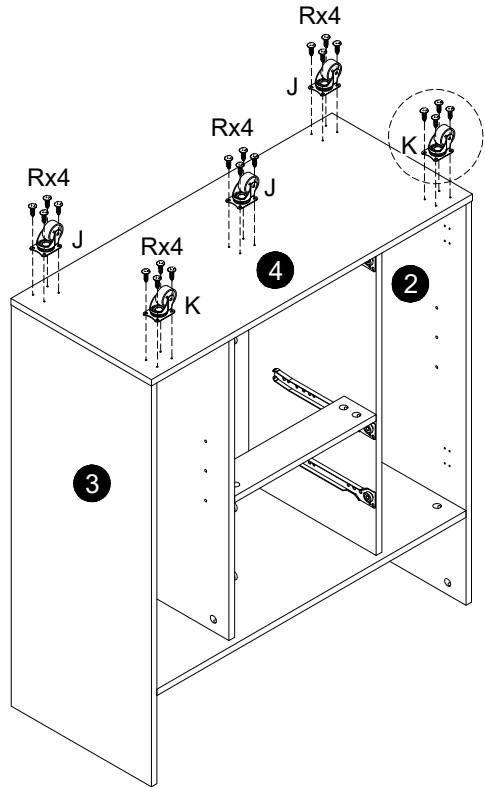
 **D** X8

 **C** X8


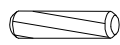



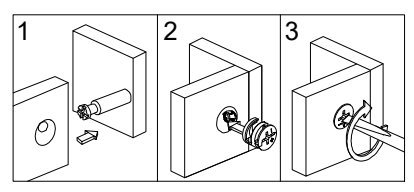
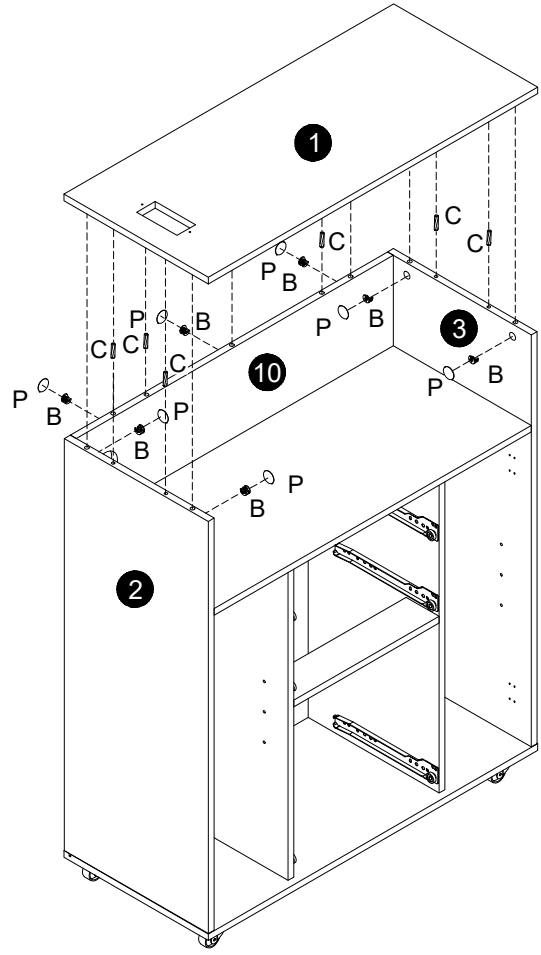
# STEP 13

-  **J** X3
-  **K** X2
-  **R** X20

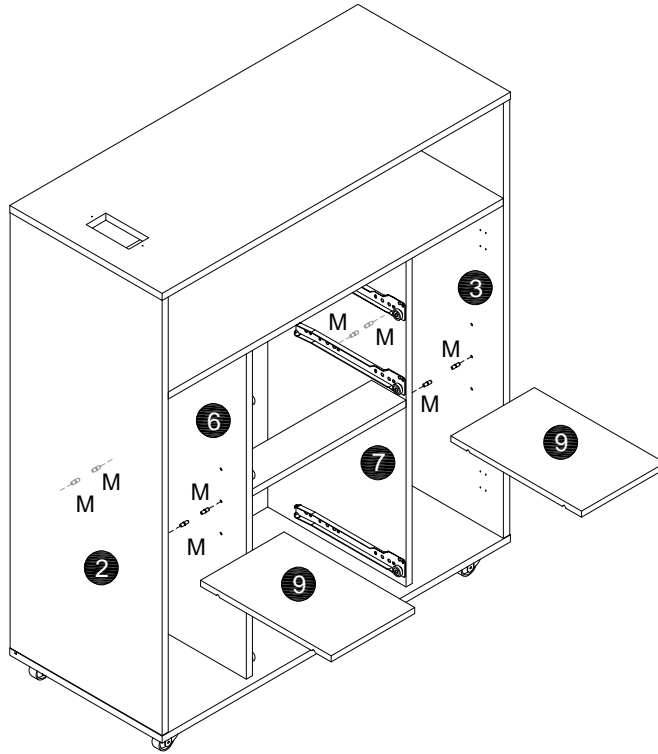


# STEP 14

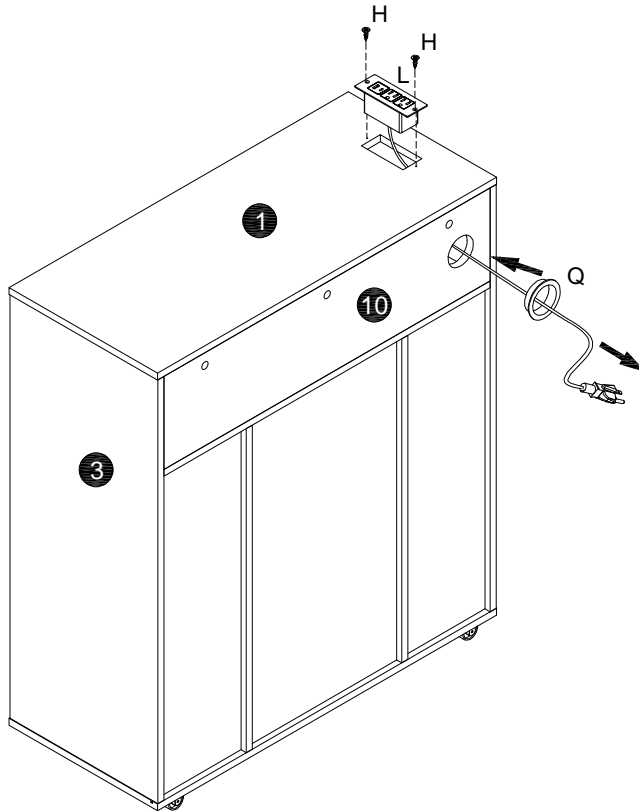
-  **B** X7
-  **C** X6
-  **P** X7



# STEP 15

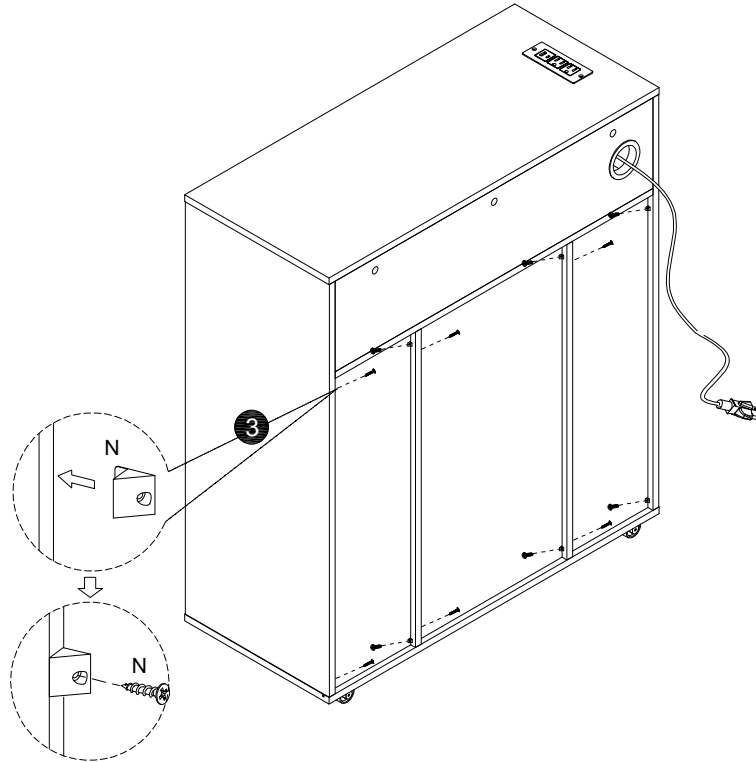
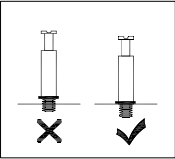


# STEP 16



# STEP 17

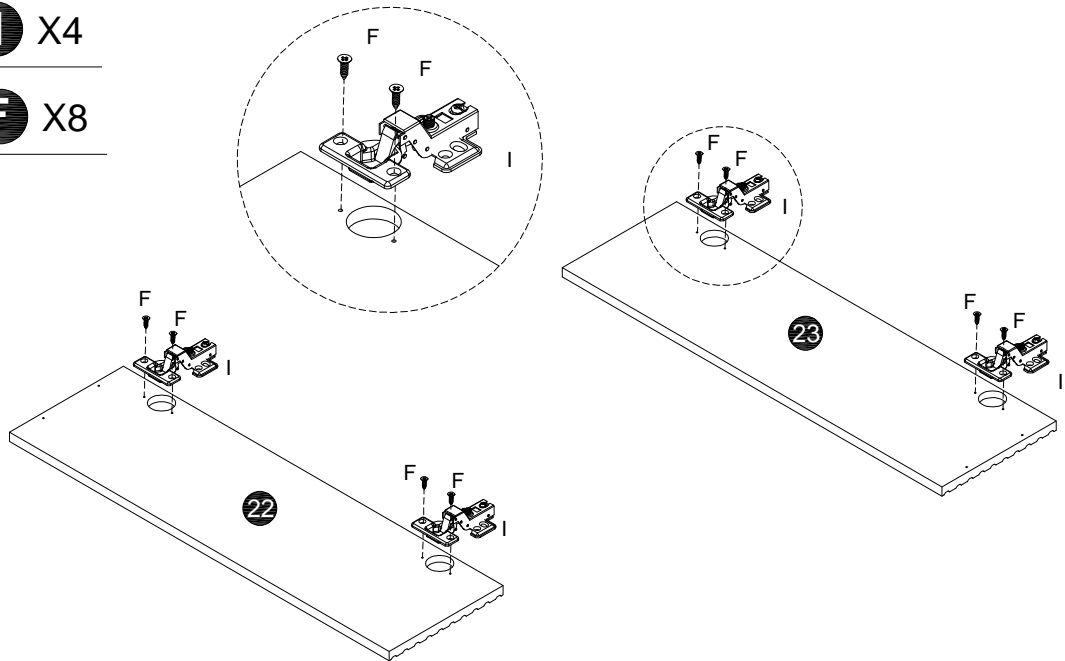
  **N** X12



# STEP 18

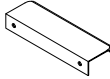
 **I** X4

 **F** X8

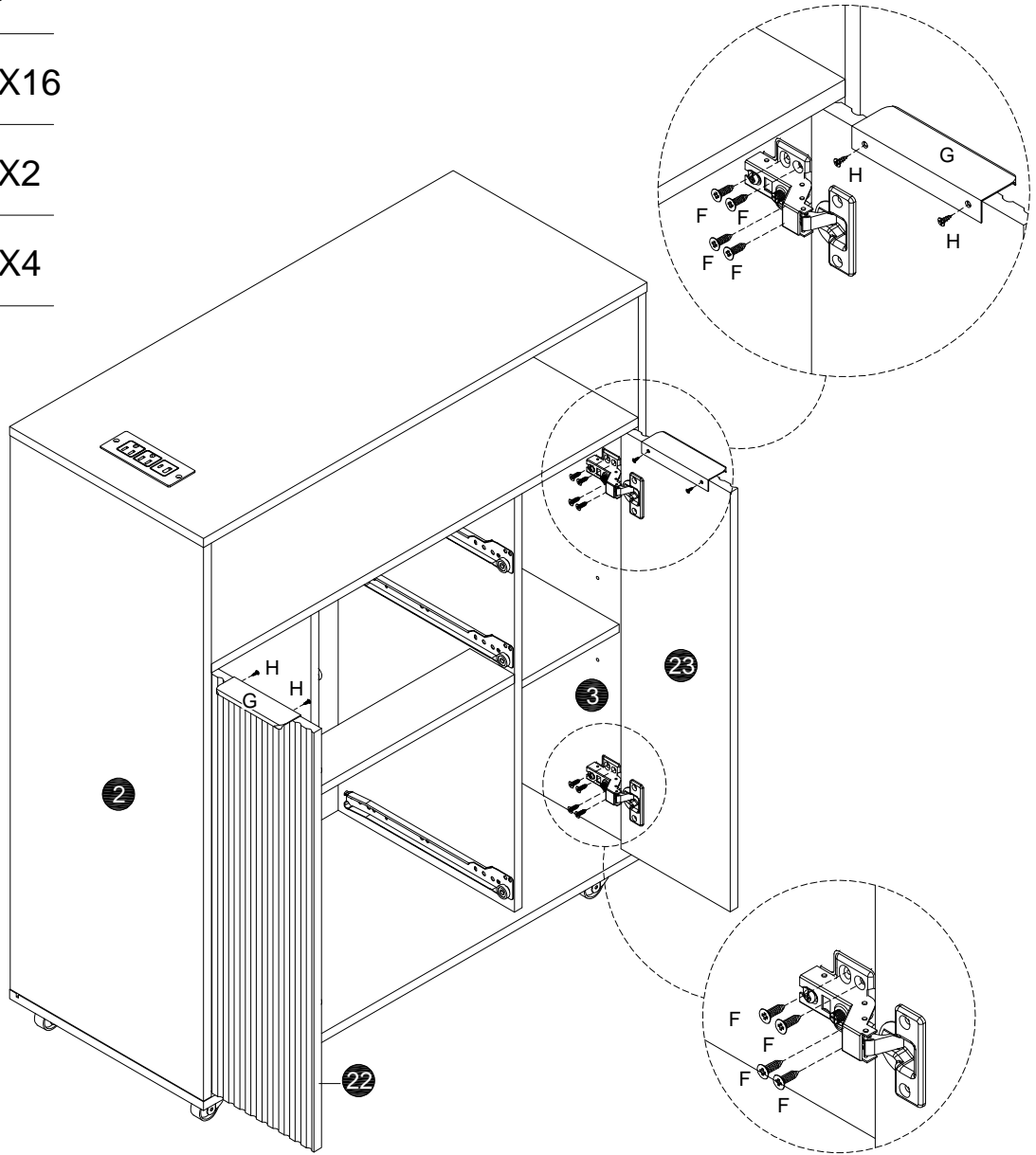


# STEP 19

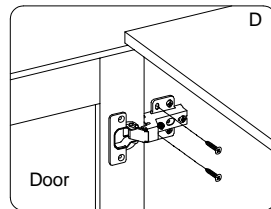
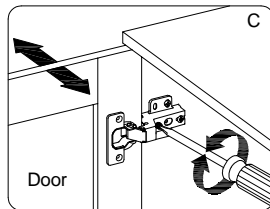
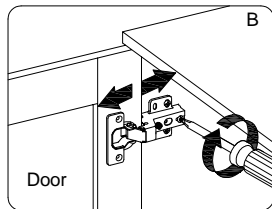
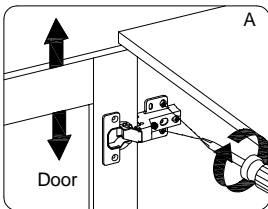
 **F** X16

 **G** X2

 **H** X4

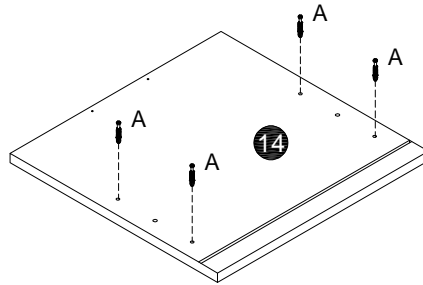
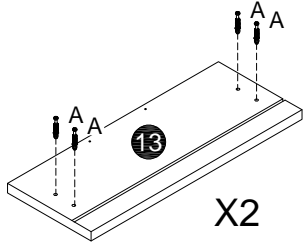
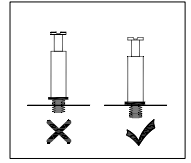
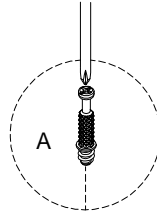


When the hinges are installed, you can refer to the pictures to adjust crevice of the doors till it's perfect

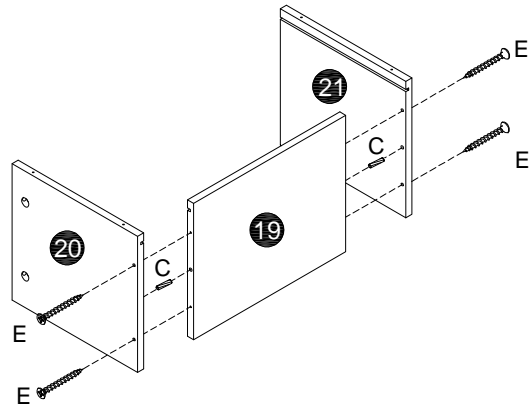
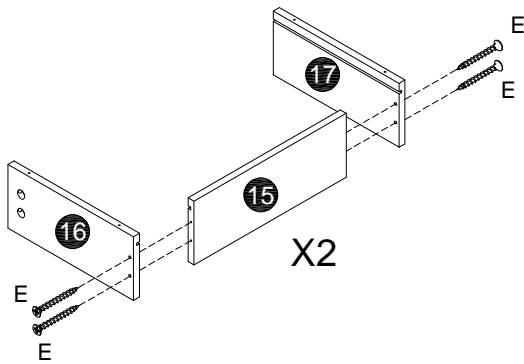


1. To adjust the doors up and down, please refer to step ( A )
2. To adjust the distance between the doors and side panels, please refer to ( B )
3. To adjust the gap between two doors, please refer to step ( C )
4. After the adjustment is finished, please tighten the screws, refer to step ( D )

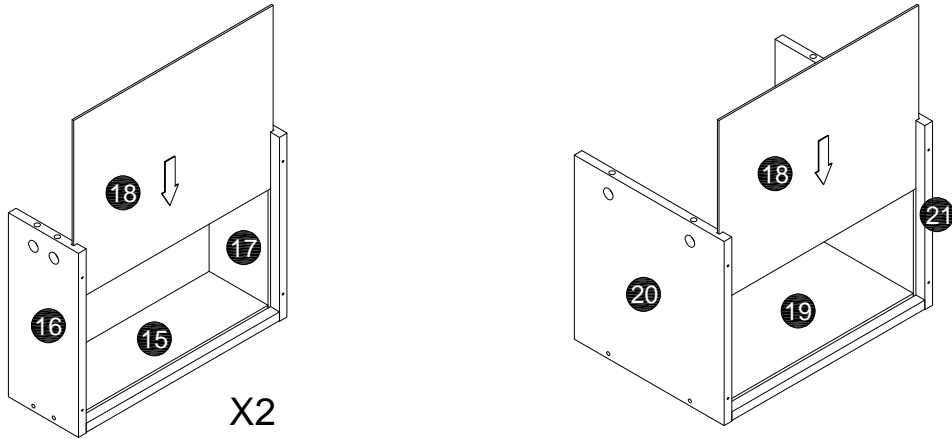
# STEP 20



# STEP 21



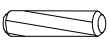
# STEP 22



# STEP 23



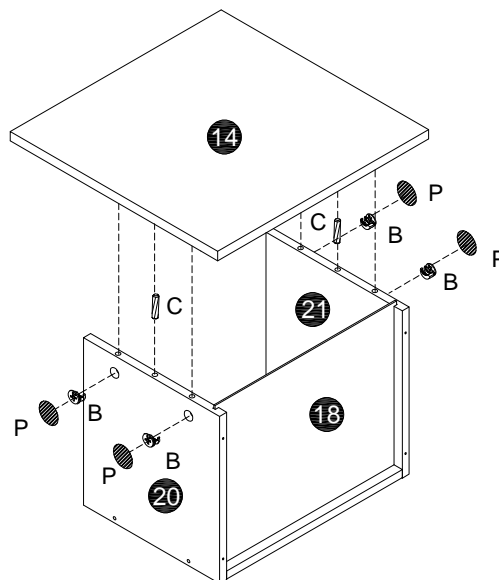
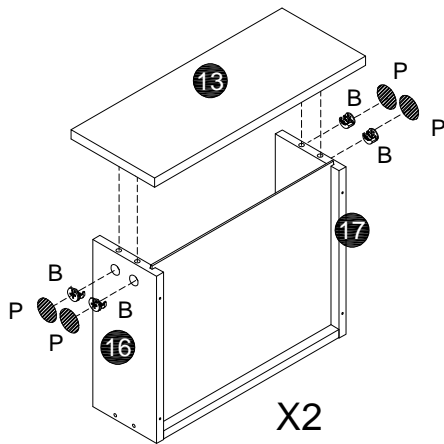
**B** X12



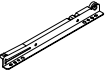
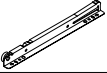

**C** X2

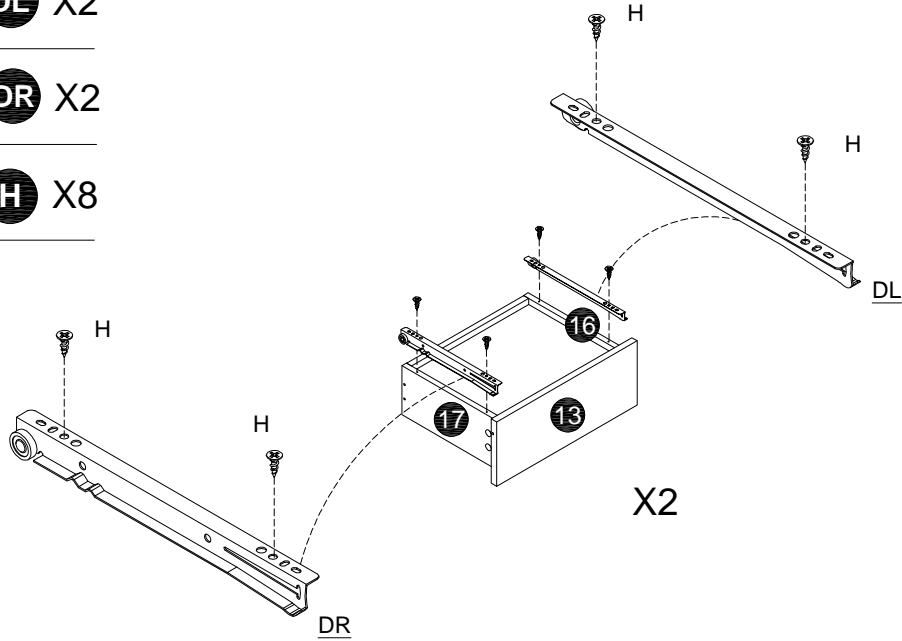


**P** X12

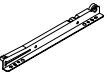
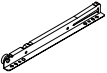



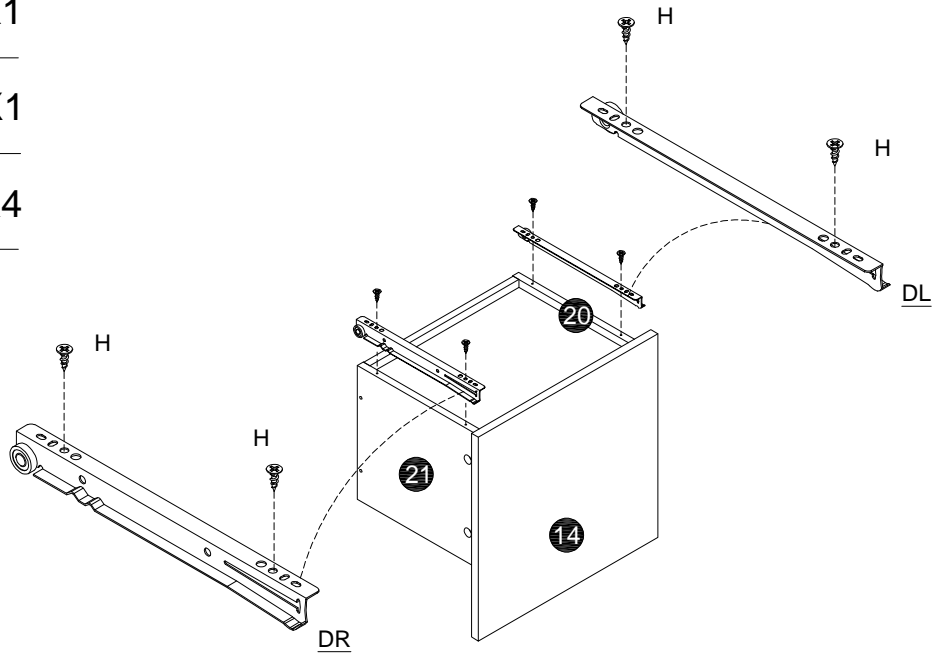
# STEP 24

-  **DL** X2
-  **DR** X2
-  **H** X8

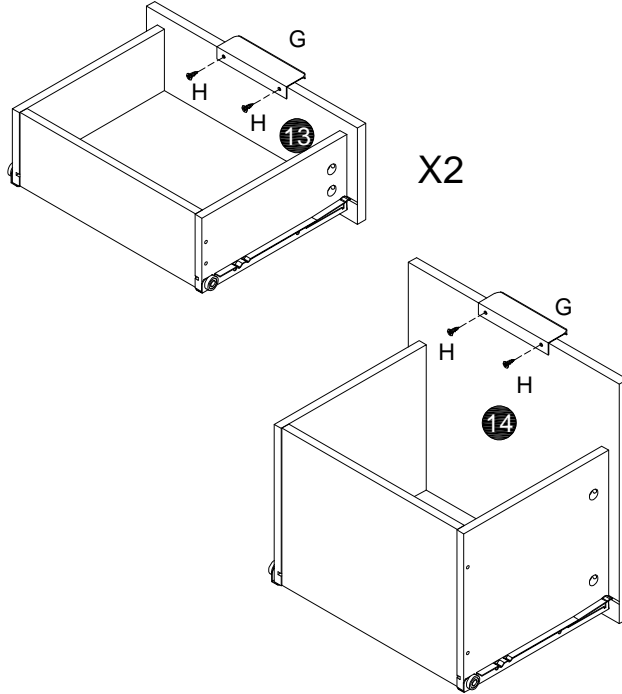
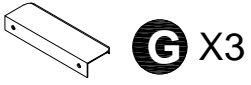


# STEP 25

-  **DL** X1
-  **DR** X1
-  **H** X4



# STEP 26



# STEP 27

