

WOOD DINING SIDE CHAIR

FOG/DISTRESSED GRAY

FOG/SEA WHITE






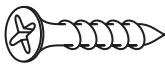
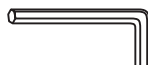
Examine all packaging material for small parts that may have come loose during shipment. Periodic checks are recommended to insure that all components are in proper position, tight and free from damage. Keep this assembly instruction for future reference. Adult assembly is required. This product is designed for residential use only.

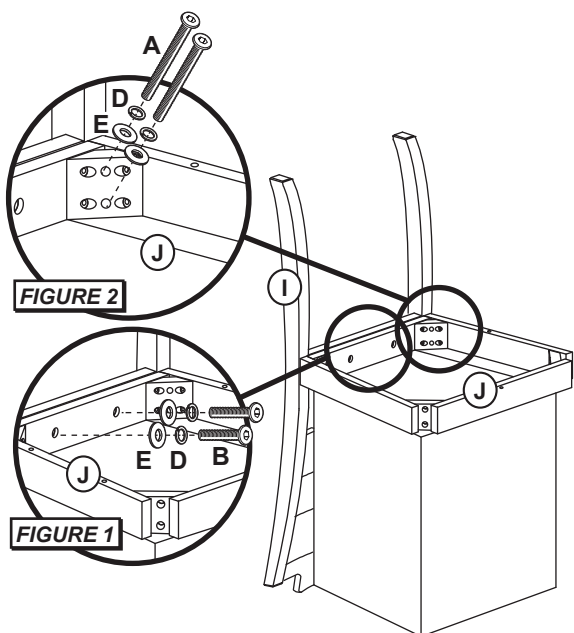
HARDWARE LIST

- A (4) M6 x 80mm Bolts
- B (2) M6 x 40mm Bolts
- C (4) M6 x 60mm Bolts
- D (10) 1/4" x 12mm Spring Washers
- E (10) 1/4" x 19mm Flat Washers
- F (3) M4 x 32mm Wood Screws
- G (1) M4 Allen Wrench

PARTS LIST

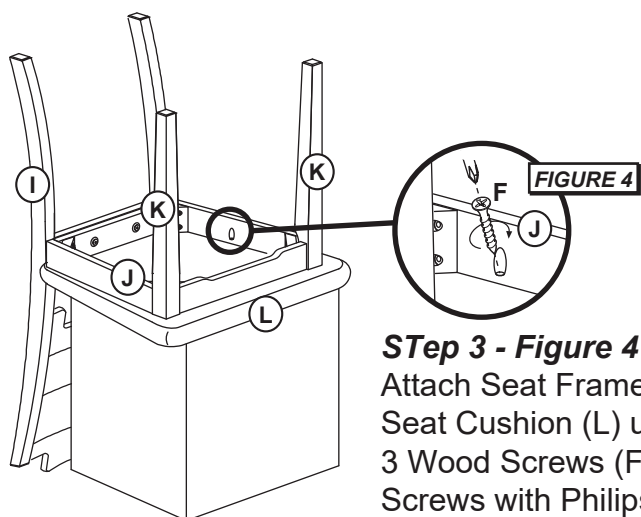
- I (1) Chair Back
- J (1) Seat Frame
- K (2) Front Legs
- L (1) Seat Cushion

PART	QTY	HARDWARE	PART	QTY	HARDWARE
A	4		B	2	
C	4		D	10	
E	10		F	3	
G	1				



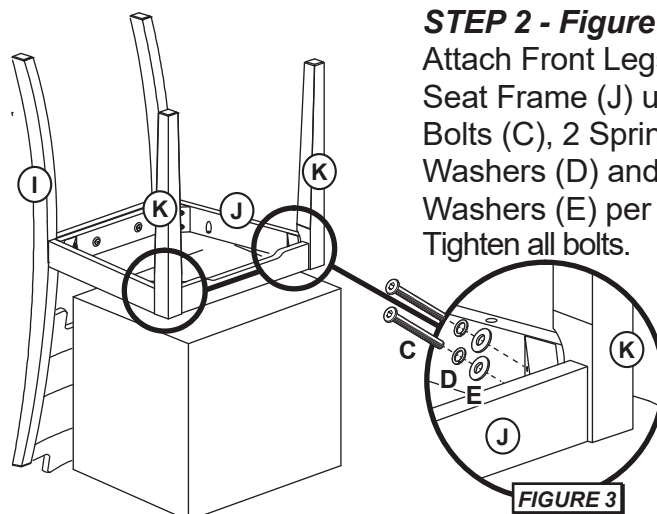
STEP 1 - Figure 1 and 2

Begin assembly by setting Seat Frame (J) down on to a clean smooth surface, such as a table or bench, being far enough off the floor to leave room for the Chair Back (I). Secure Frame (J) to Back (I) using 2 Bolts (B), 2 Spring Washers (D) and 2 Flat Washers (E) from the center and 2 Bolts (A), 2 Spring Washers (D) and 2 Flat Washers (E) from the sides. Tighten all bolts with Allen Wrench (G) provided.



Step 3 - Figure 4

Attach Seat Frame (J) to Seat Cushion (L) using 3 Wood Screws (F). Tighten Screws with Philips head screwdriver (not included). The assembly is now complete.



STEP 2 - Figure 3

Attach Front Legs (K) to Seat Frame (J) using 2 Bolts (C), 2 Spring Washers (D) and 2 Flat Washers (E) per side. Tighten all bolts.

