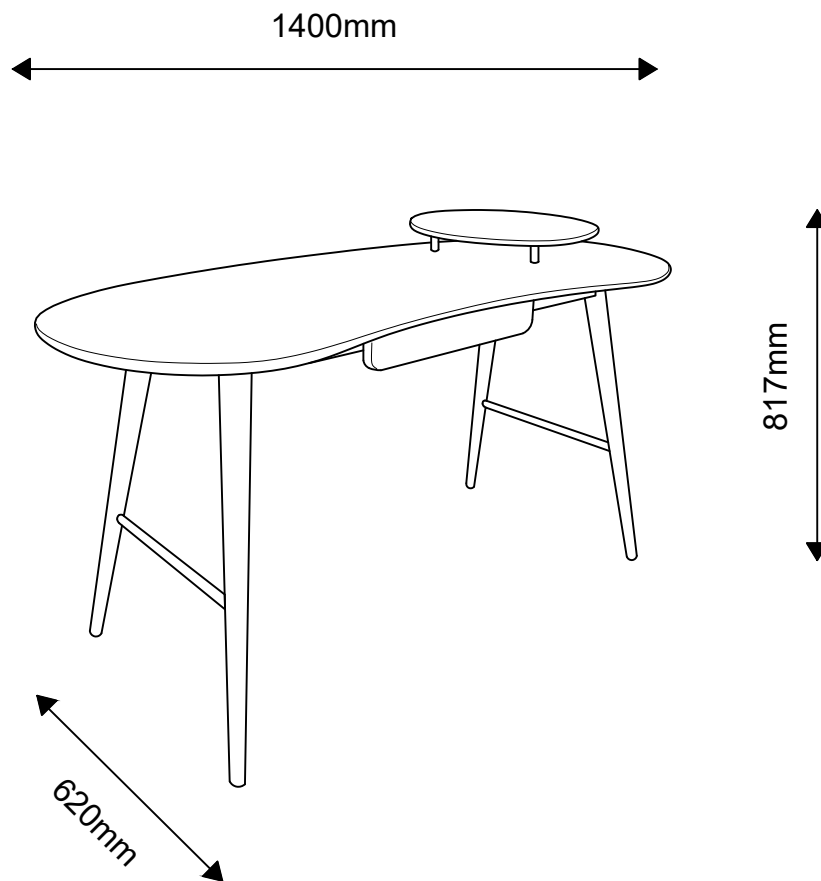


# Assembly Instructions

Carl Desk

520236 / 520240



## **Keep these instructions for future reference**

Assemble the furniture on a soft level surface to avoid damaging the furniture or your floor.

We recommend furniture be assembled near where they will be placed, to avoid moving the product unnecessarily once assembled.

If there is a need to move the furniture, please remove all loose items and have extra hands to help lift the furniture to the desired location. Dragging the furniture will damage both the furniture and the floor.

Regularly check and re-tighten (if necessary) all bolts on furniture that you have assembled yourself.

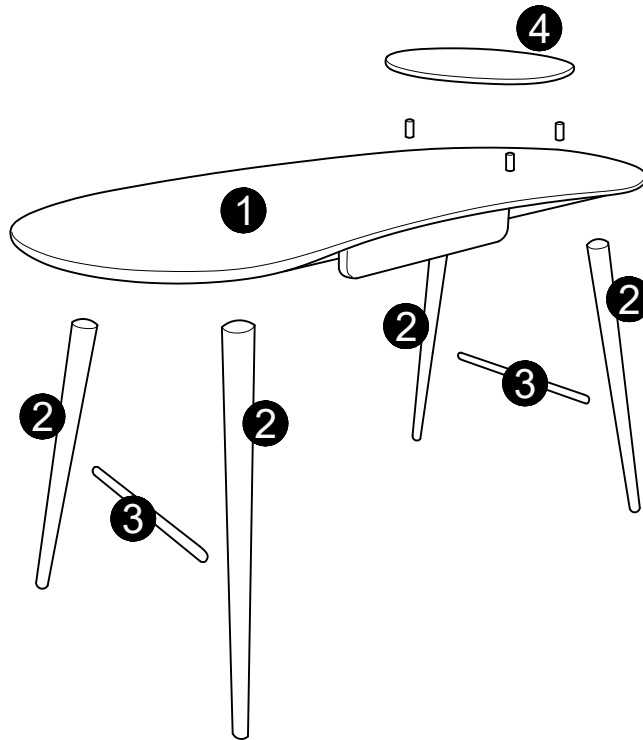
**Warning:** In order to prevent overturning this product must be used with the wall attachment device provided.

Different wall materials require unique wall fasteners.

The screw (#D) provided will require an additional wall plug for concrete wall.

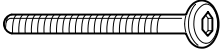
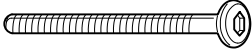




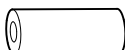

Please contact your DIY or hardware store for advice on the correct type of screws/wall plugs for your type of wall.

## PARTS LIST

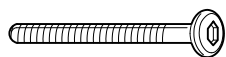


NO.	PARTS LIST	QTY
(1)	TABLE TOP	1
(2)	TABLE LEG L/R	4
(3)	SIDE STRETCHER	2
(4)	SHELF	1

## HARDWARE LIST

NO.	DESCRIPTION		QTY
A	JCBC M6 x 60MM		8
B	JCBC M6 x 70MM		3
C	SPRING WASHER M6		11
D	FLAT WASHER M6 x 19MM		8
E	CSK SCREW M4 x 38MM		4
F	ALLEN KEY M4 x 110MM		1
G	SHELF SUPPORT		3
H	FURNITURE TIPPING RESTRAINT		1

# 1



A x 8  
M6 x 60MM



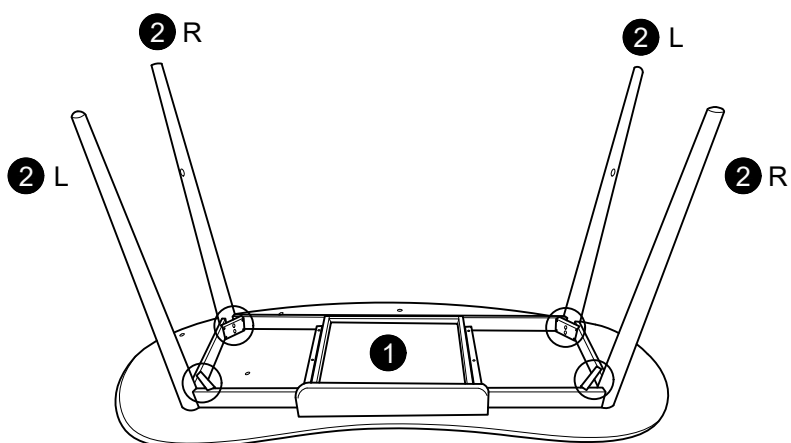
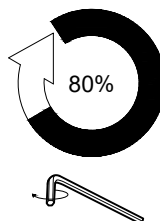
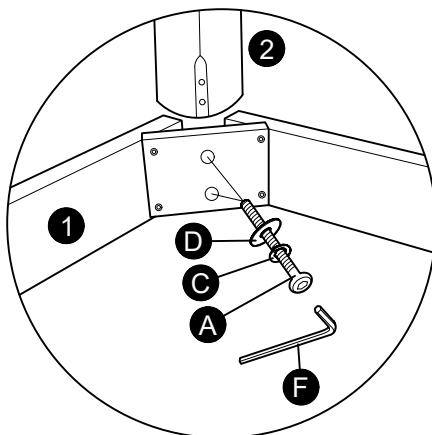
C x 8  
M6



D x 8  
M6 x 19MM



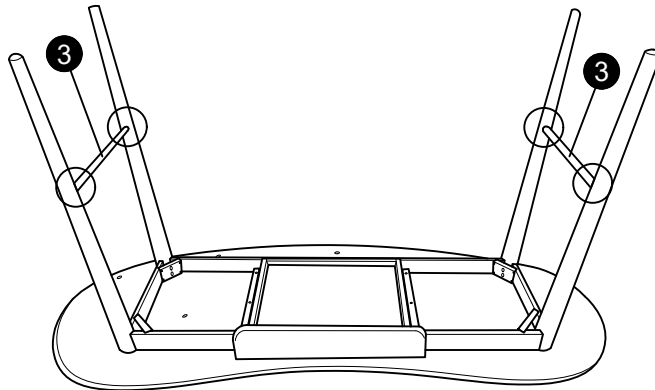
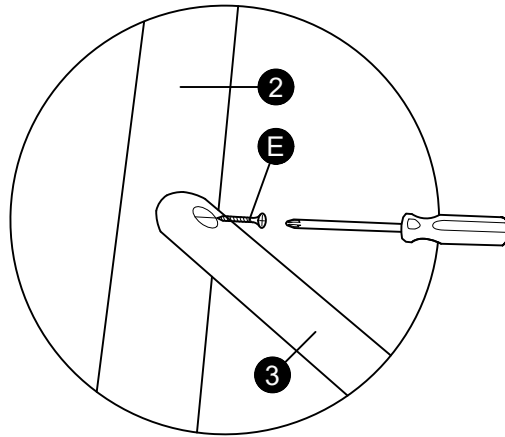
F x 1



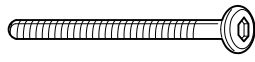
# 2



E x 4  
M4 x 38MM



# 3



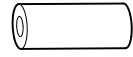
B x 3  
M6 x 70MM



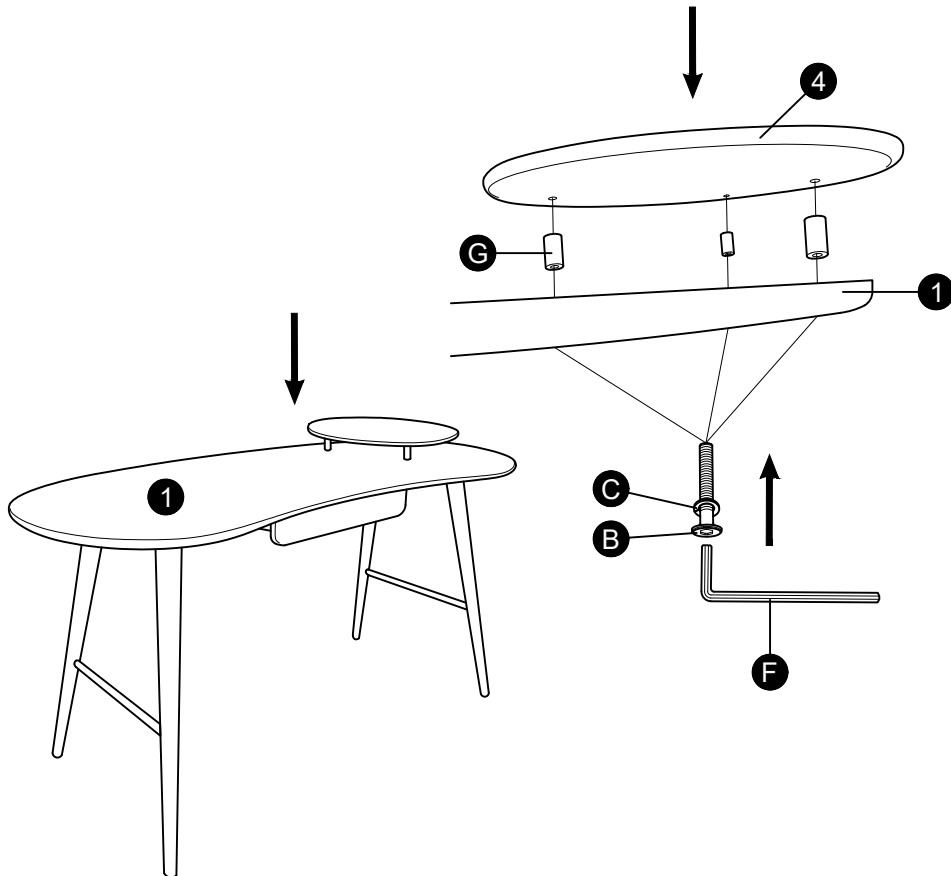
C x 3  
M6



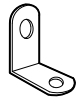
F x 1



G x 3



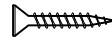
# 4



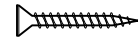
#A x 2  
BRACKET



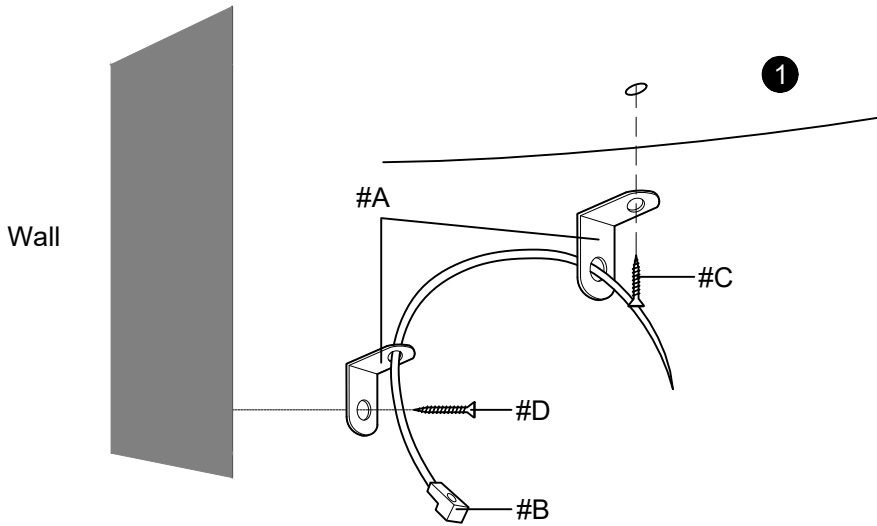
#B x 1  
STRAP



#C x 1  
5/8" SCREW



#D x 1  
2" SCREW



**Warning:** In order to prevent overturning this product must be used with the wall attachment device provided.

Different wall materials require unique wall fasteners.

The screw (#D) provided will require an additional wall plug for concrete wall.

Please contact your DIY or hardware store for advice on the correct type of screws/wall plugs for your type of wall.

