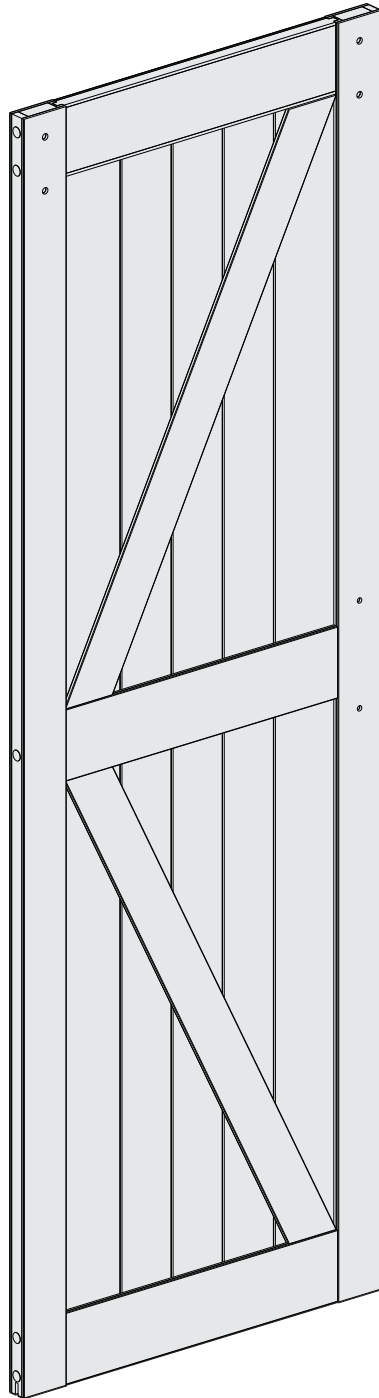
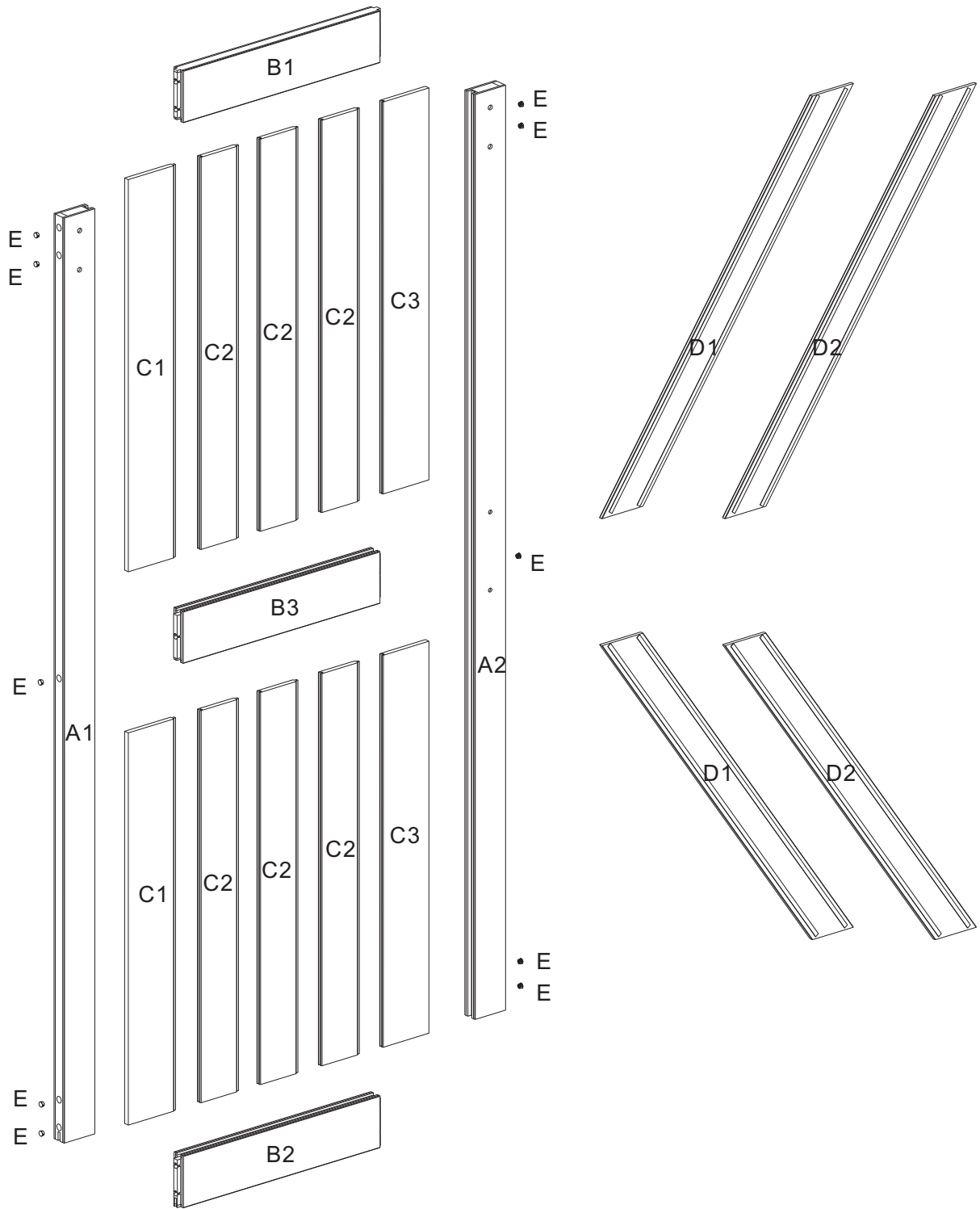


Installation Manual



Components list



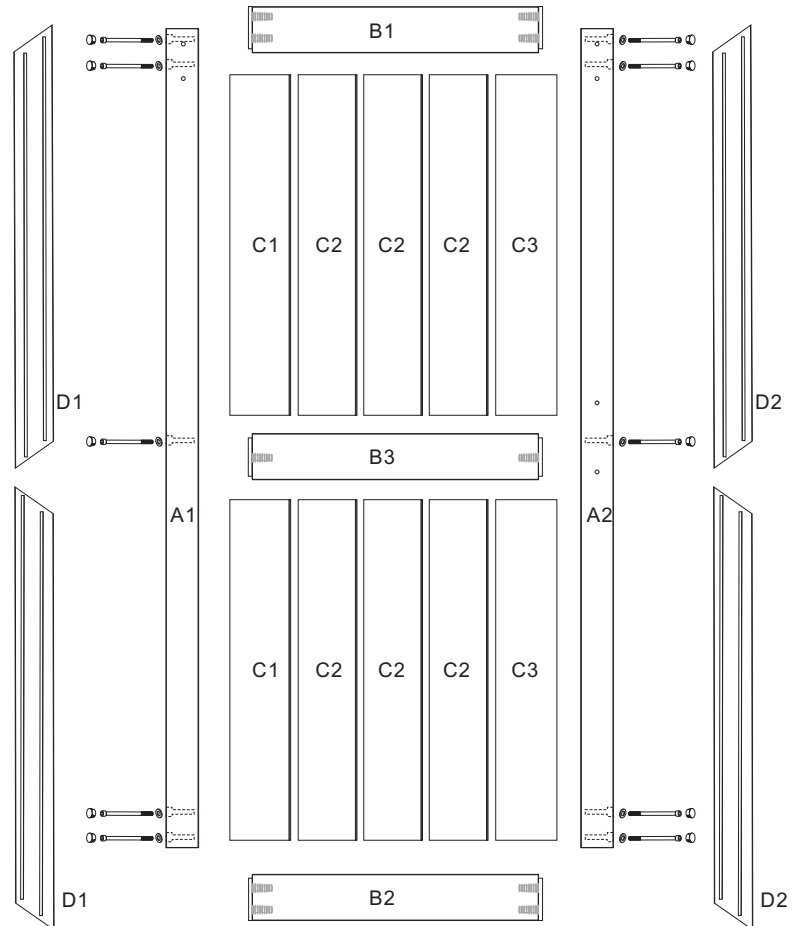
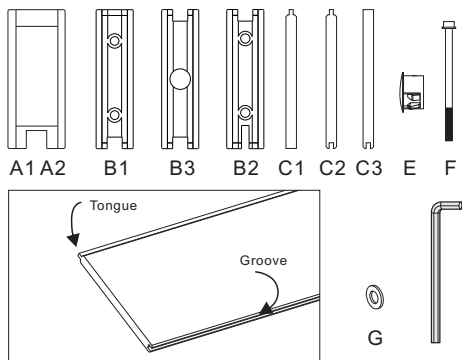
INSTRUCTIONS

K-Barn Door Installation Instruction

Package List

A1 A2	Side Stile	*2
B1	Top Rail	*1
B2	Bottom Rail	*1
B3	Middle Rail	*1
C1	Left Side Slat	*2
C2	Middle Side Slat	*6
C3	Right Side Slat	*2
D1	K Diagonal Overlay (with 3M Tape)	*2
D2	K Diagonal Overlay (with 3M Tape)	*2
E	Plastic Cap	*10
F	Carriage Bolt	*10
G	Washer Spanner	*10

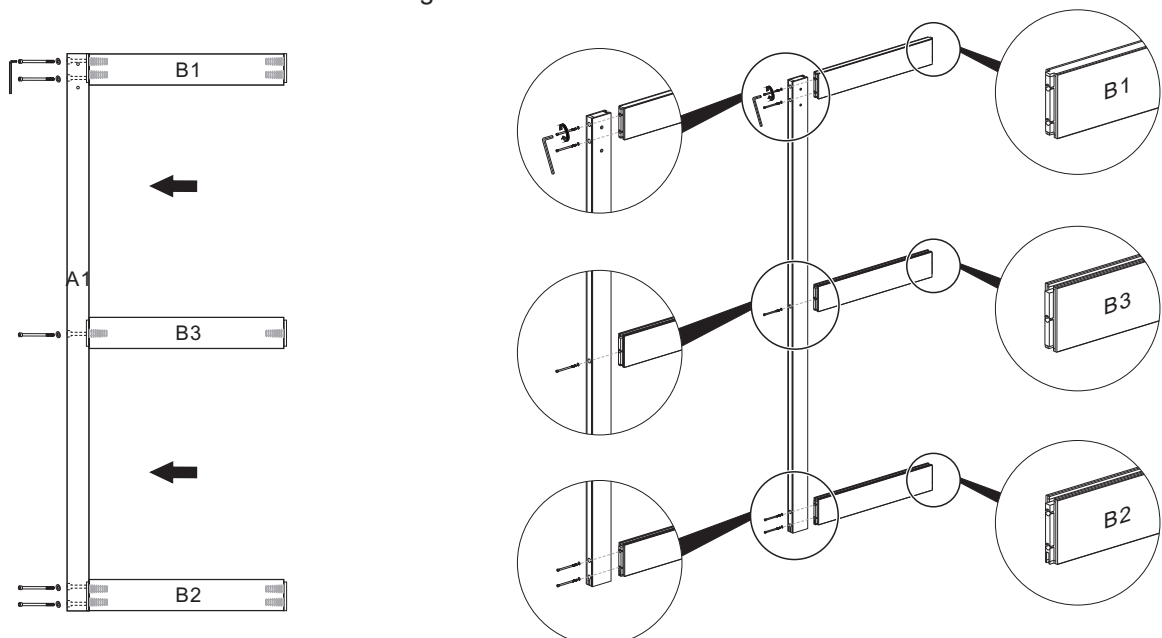
Stile and Slat End Views



Step 1.

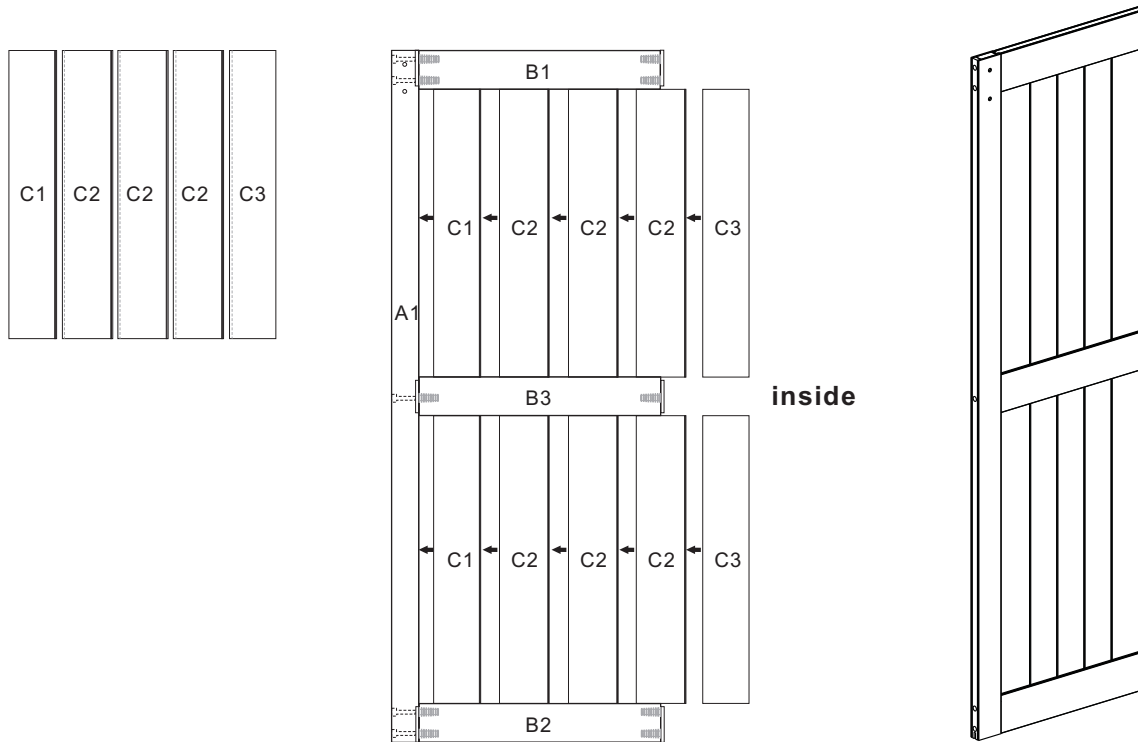
Lay out **Side Stile A1** on flat, clean surface. Make sure the groove side is to the inside.

Attach **B1 Top Rail**, **B2 Bottom Rail** and **B3 Middle Rail** to **Side Stile A1** by inserting the tongues into the groove of A1 and fasten with carriage bolts.



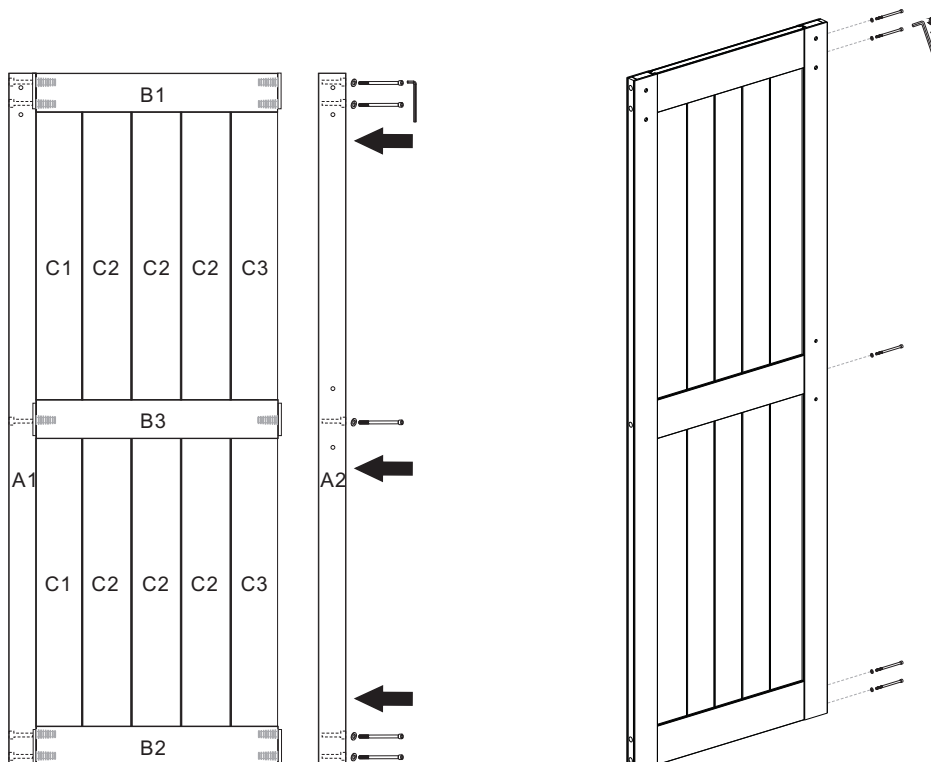
Step 2.

Assemble **C1 Left Side Slat**, **C2 Middle Side Slat**, **C3 Right Side Slat** as shown in figure. Make sure C1 tongue facing inside, C2 next to C1 with the tongue facing inside, C3 next to the last C2 with flat side inside.



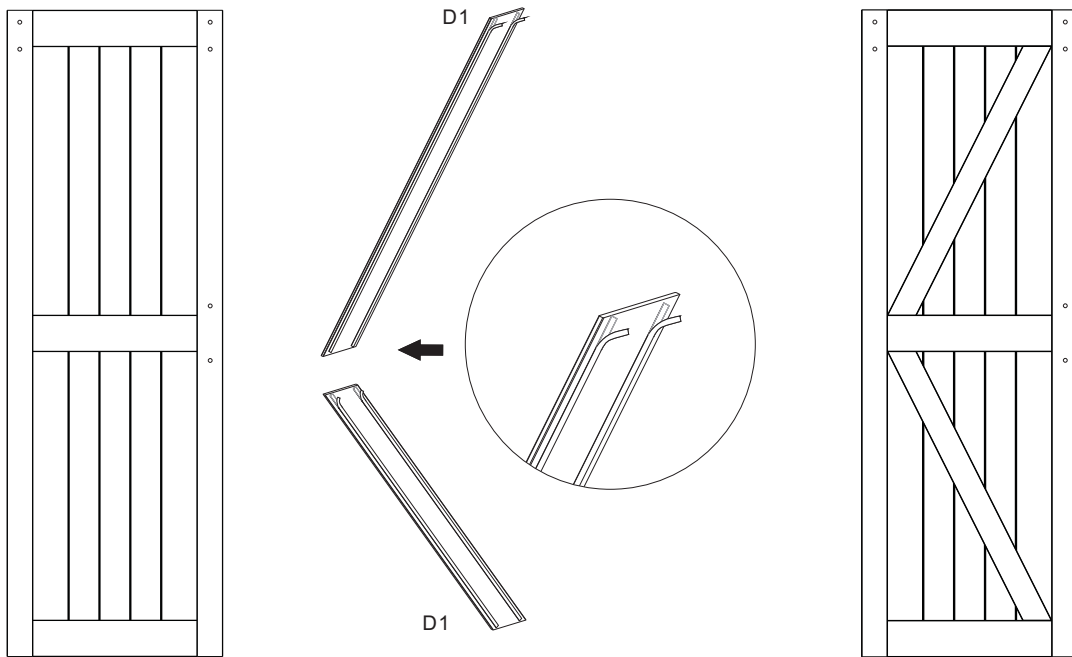
Step 3.

Place the other **Side Stile A2** beside the assembled **Rails** and **Side Slats** by inserting the rails' tongues to the groove of **A2** and fasten with carriage bolts.



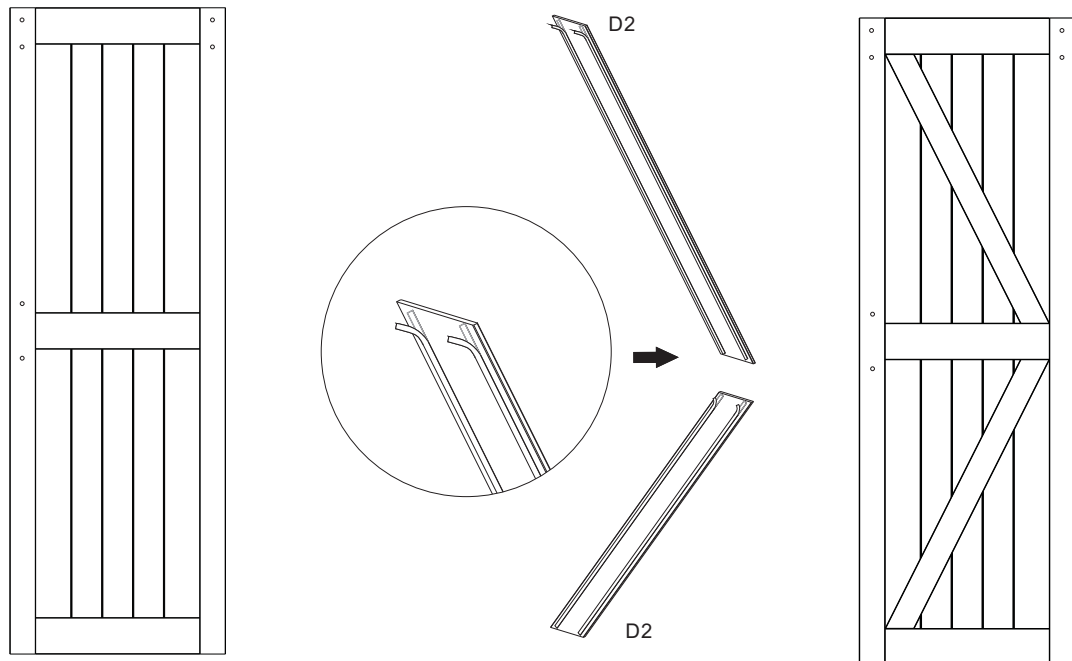
Step 4.

Remove the cover of the tape and adhere **K Diagonal Overlays D1** onto the assembled door surface. Turn the door panel over, repeat the former step on the other side to install **D2 K Diagonal Overlays**. Make sure **K Diagonal Overlays D1** and **D2** lay flush against rails.



Do this for both sides of the door.

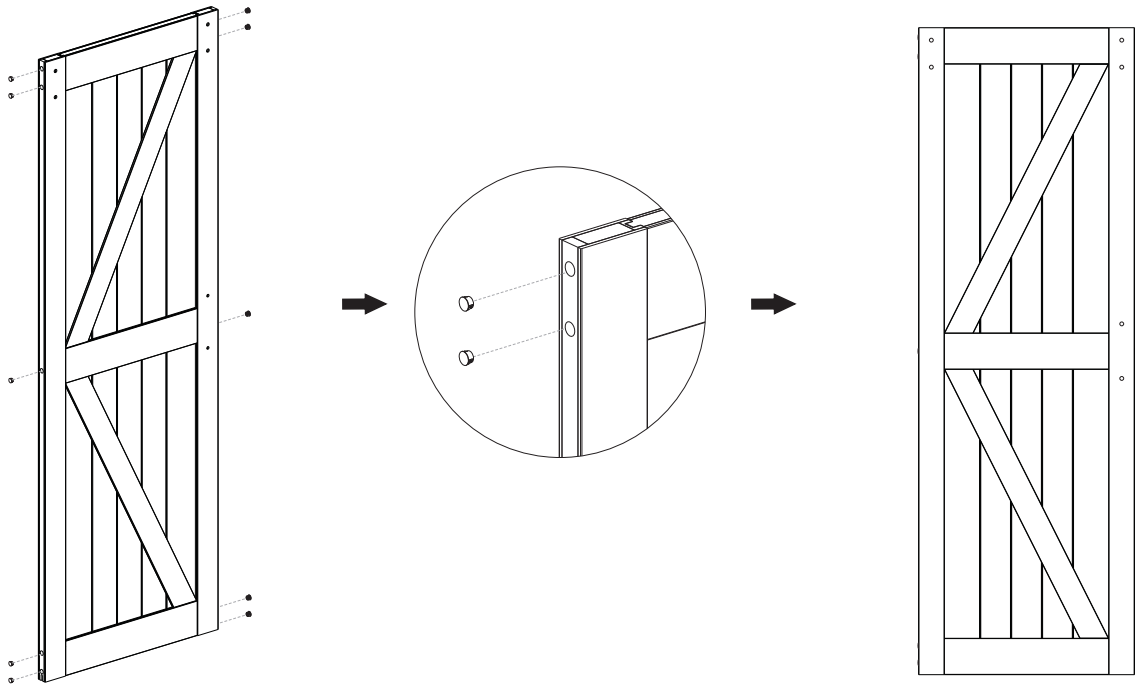
◦
◦



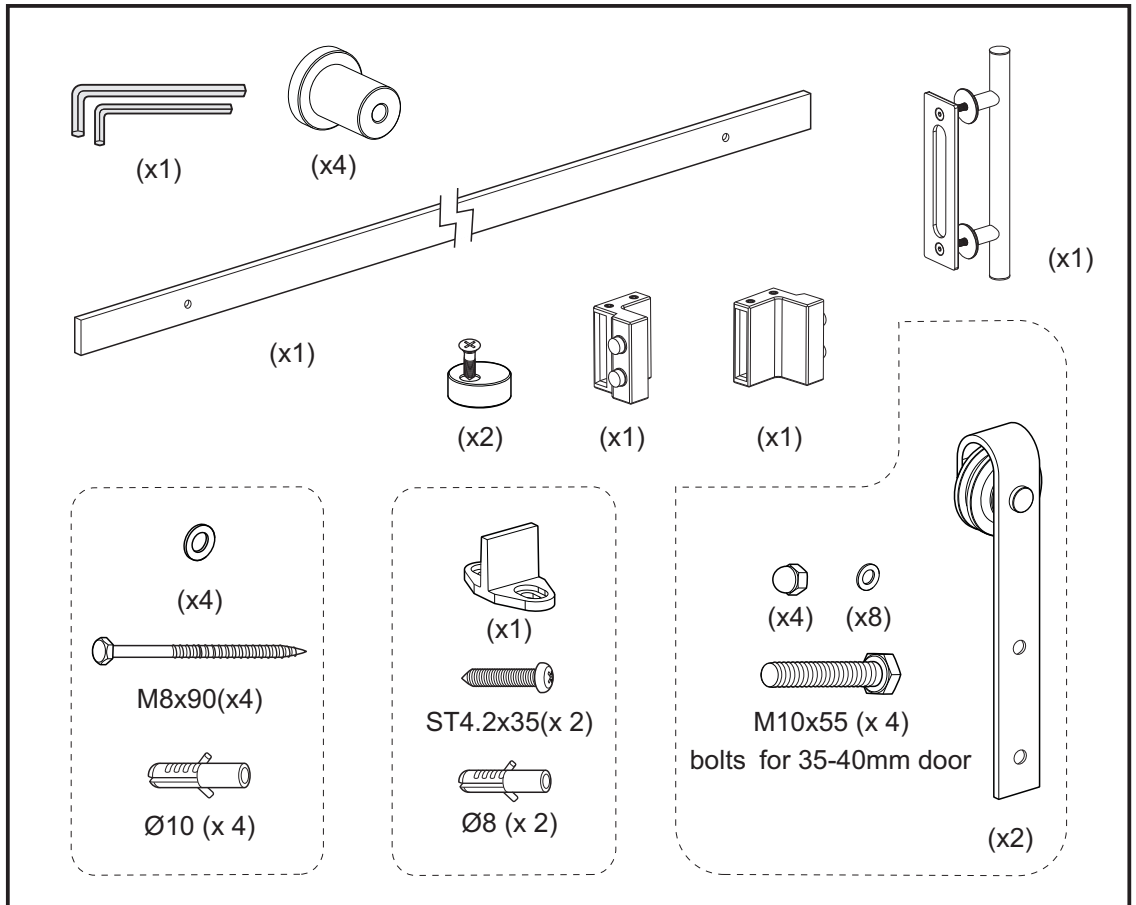
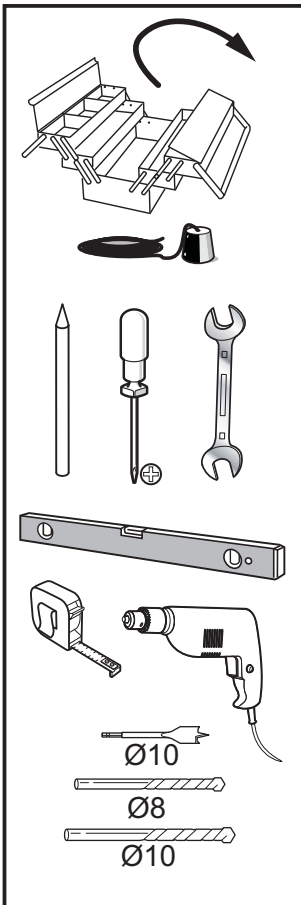
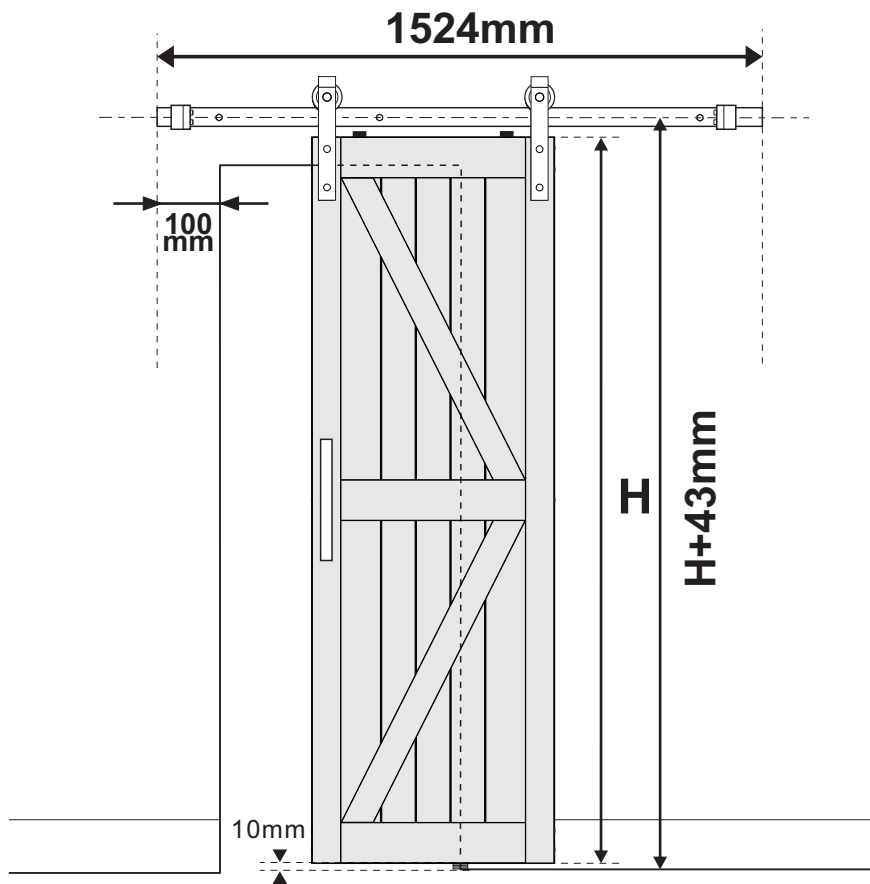
Do this for both sides of the door.

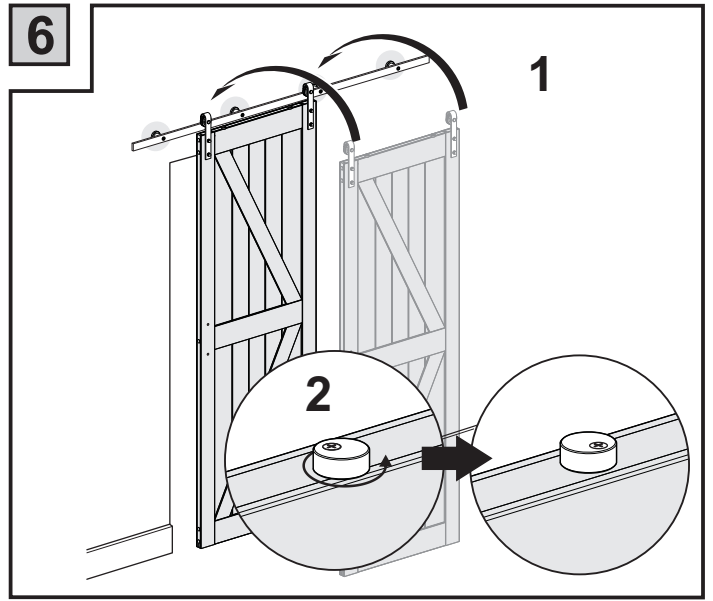
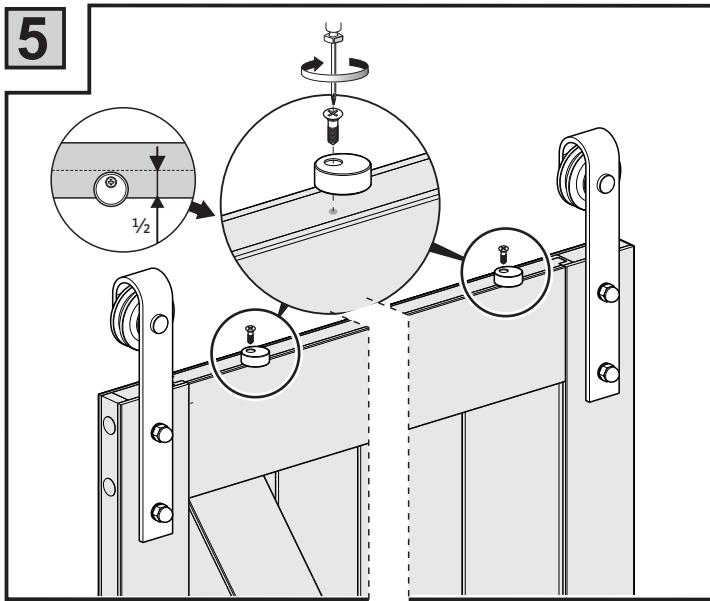
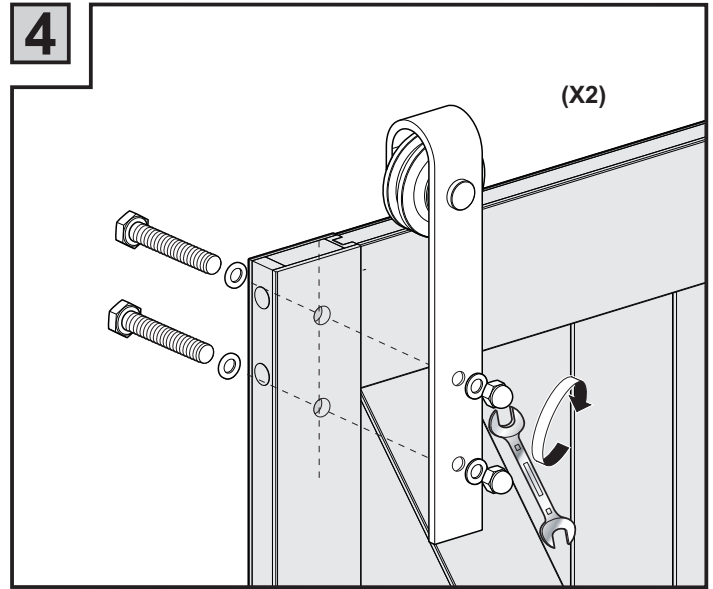
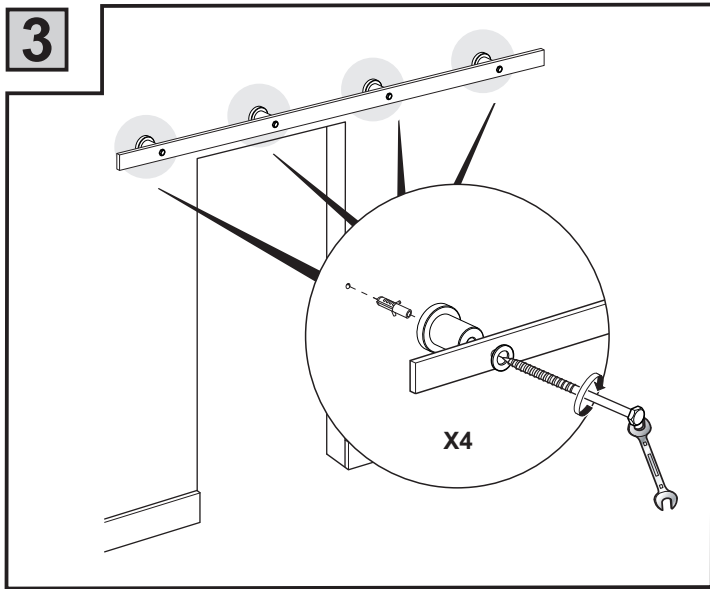
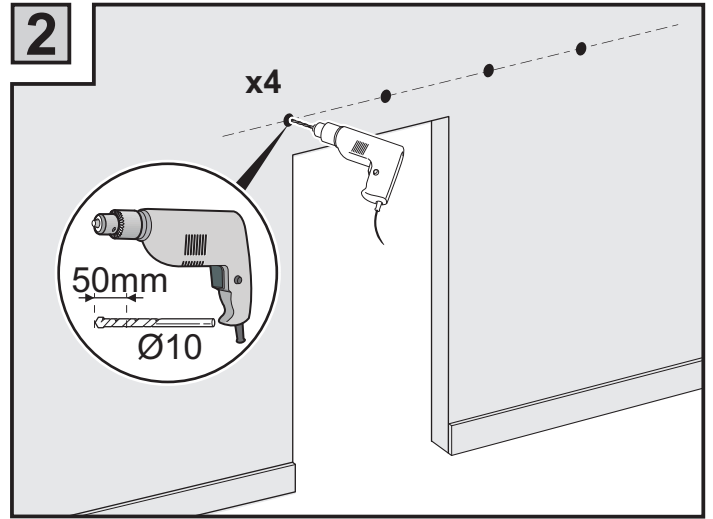
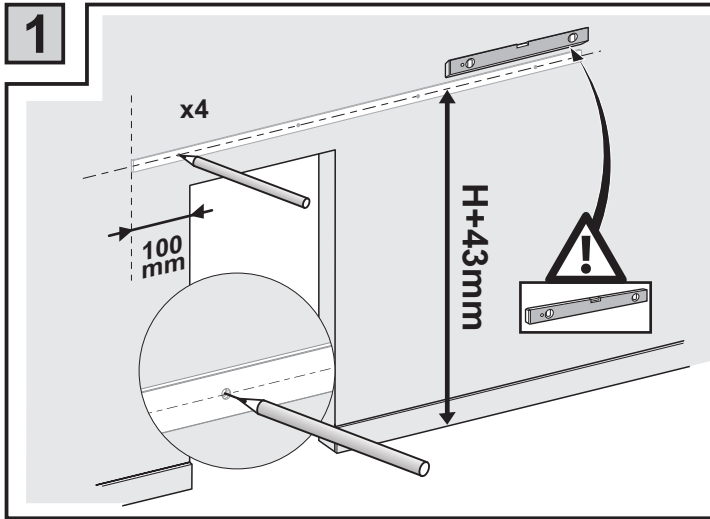
Step 5.

Make sure all bolts are tightened, place **F Plastic Caps** on top of the bolts and flush with Side Stile surface.

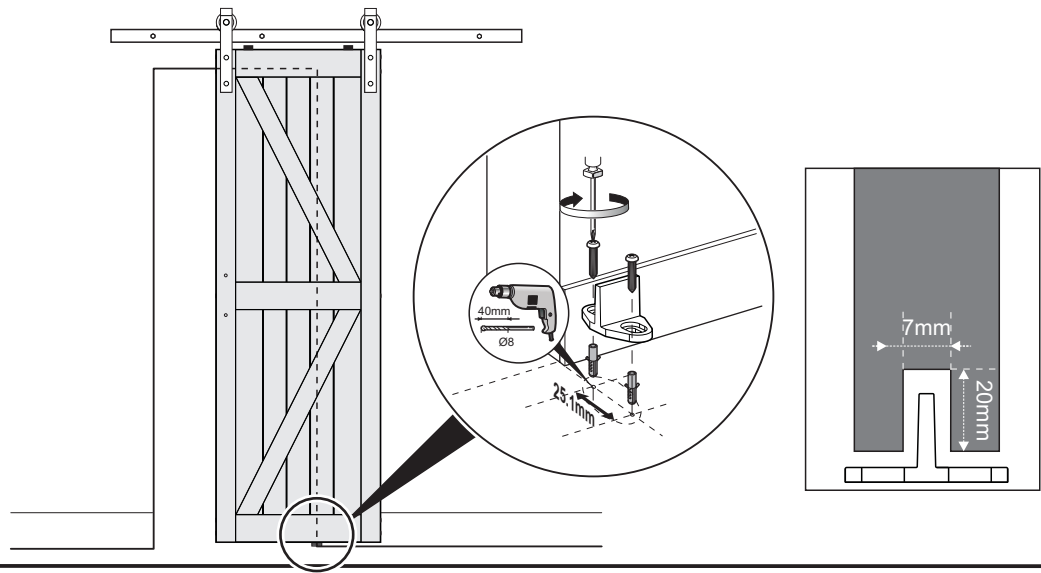


Installation Manual

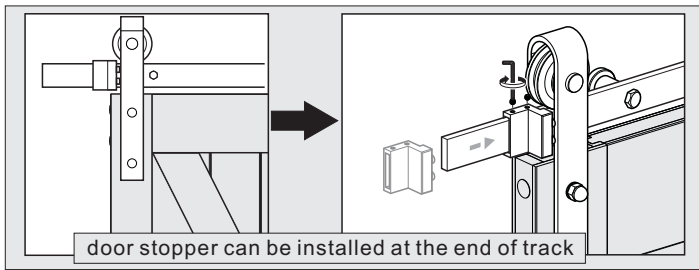
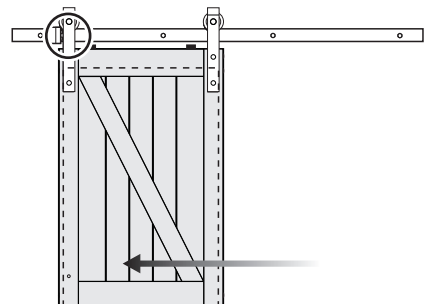




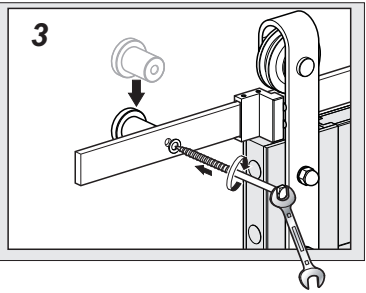
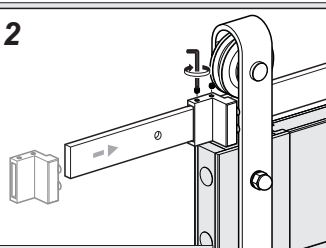
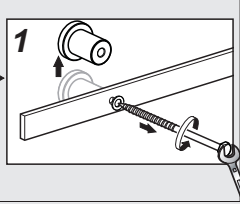
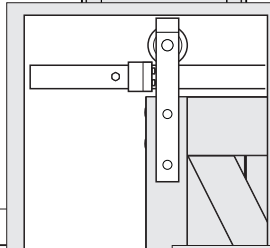
7



8

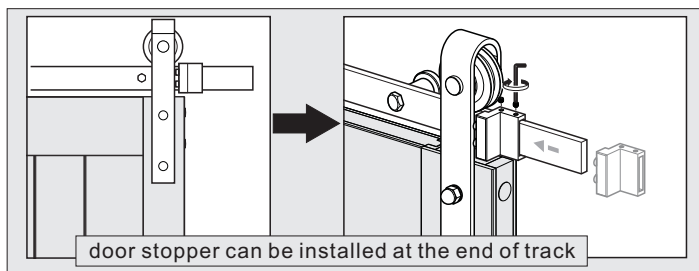
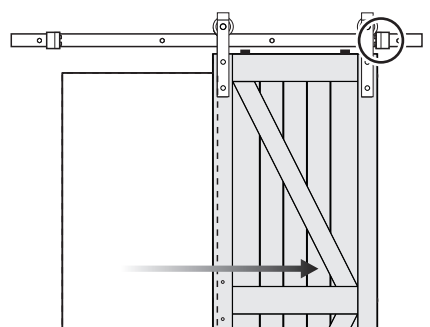


door stopper can be installed at the end of track

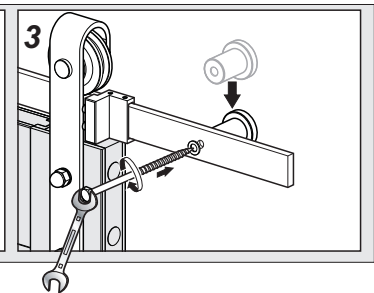
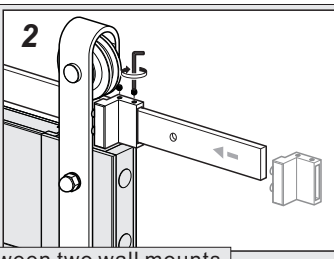
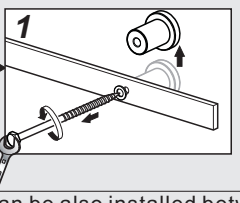
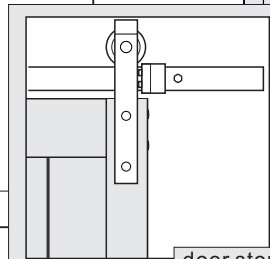


door stopper can be also installed between two wall mounts

9

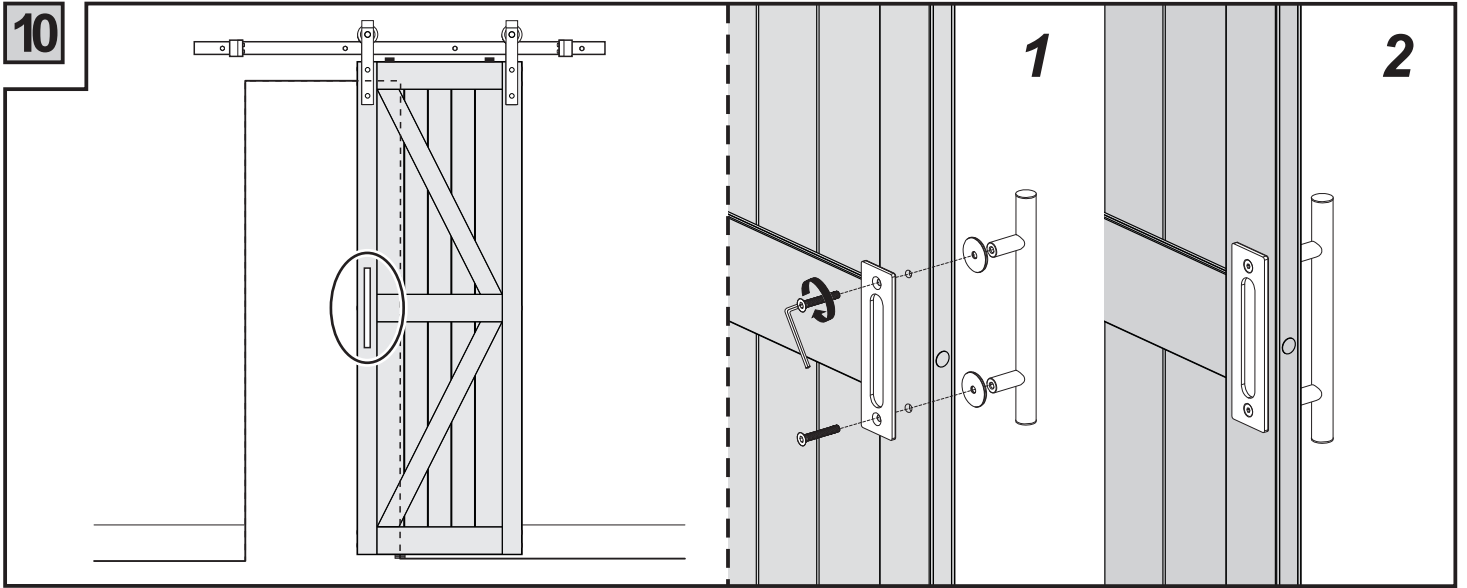


door stopper can be installed at the end of track



door stopper can be also installed between two wall mounts

10



E-mail: pressmax01@outlook.com

Tel: 7192254938