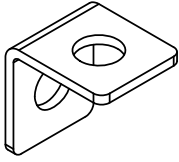


13413
x16



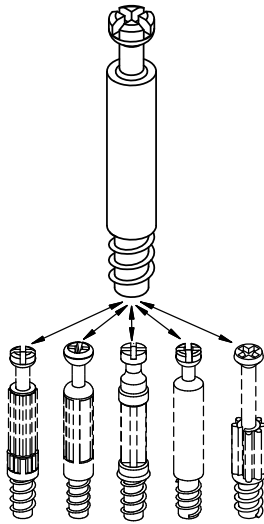
20203
x16



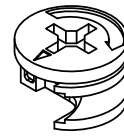
26040
x32

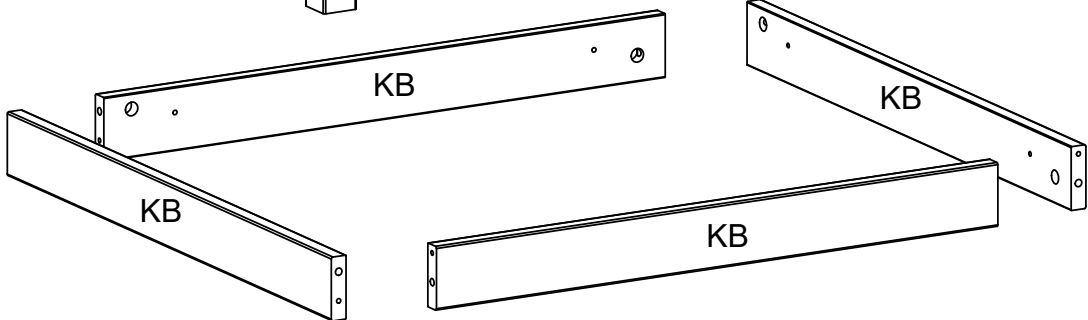
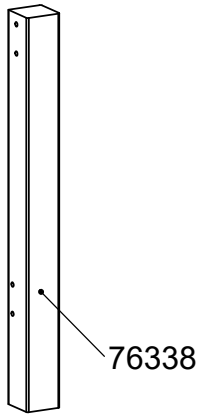
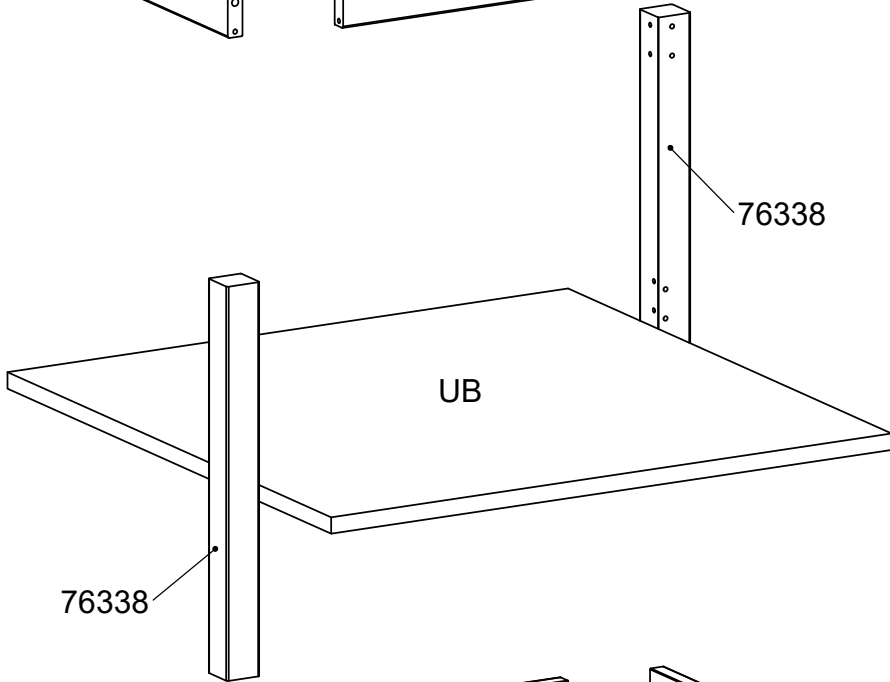
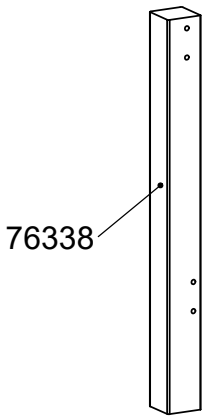
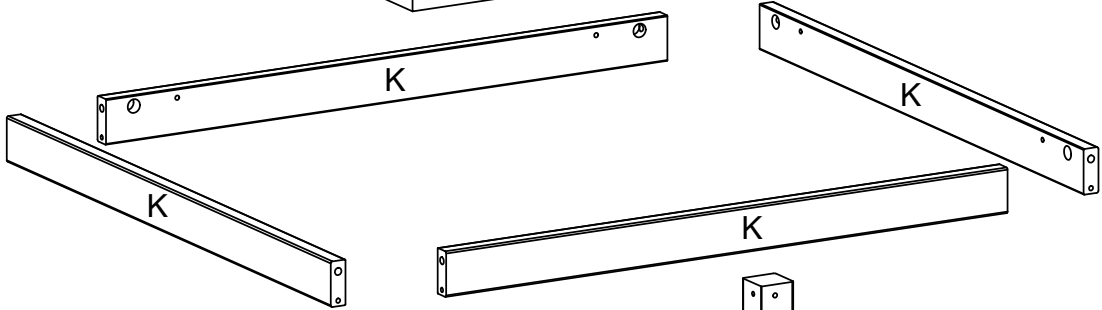
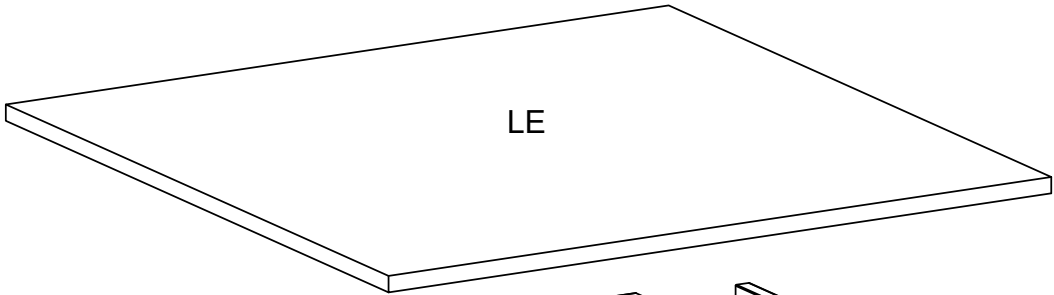
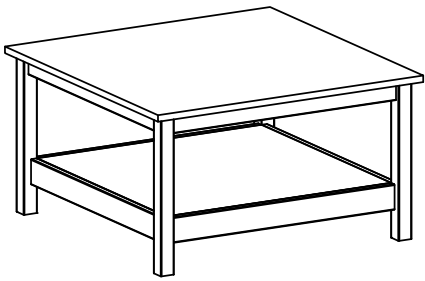


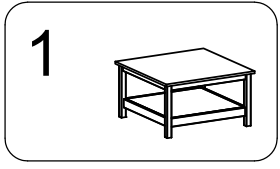
31513
x16




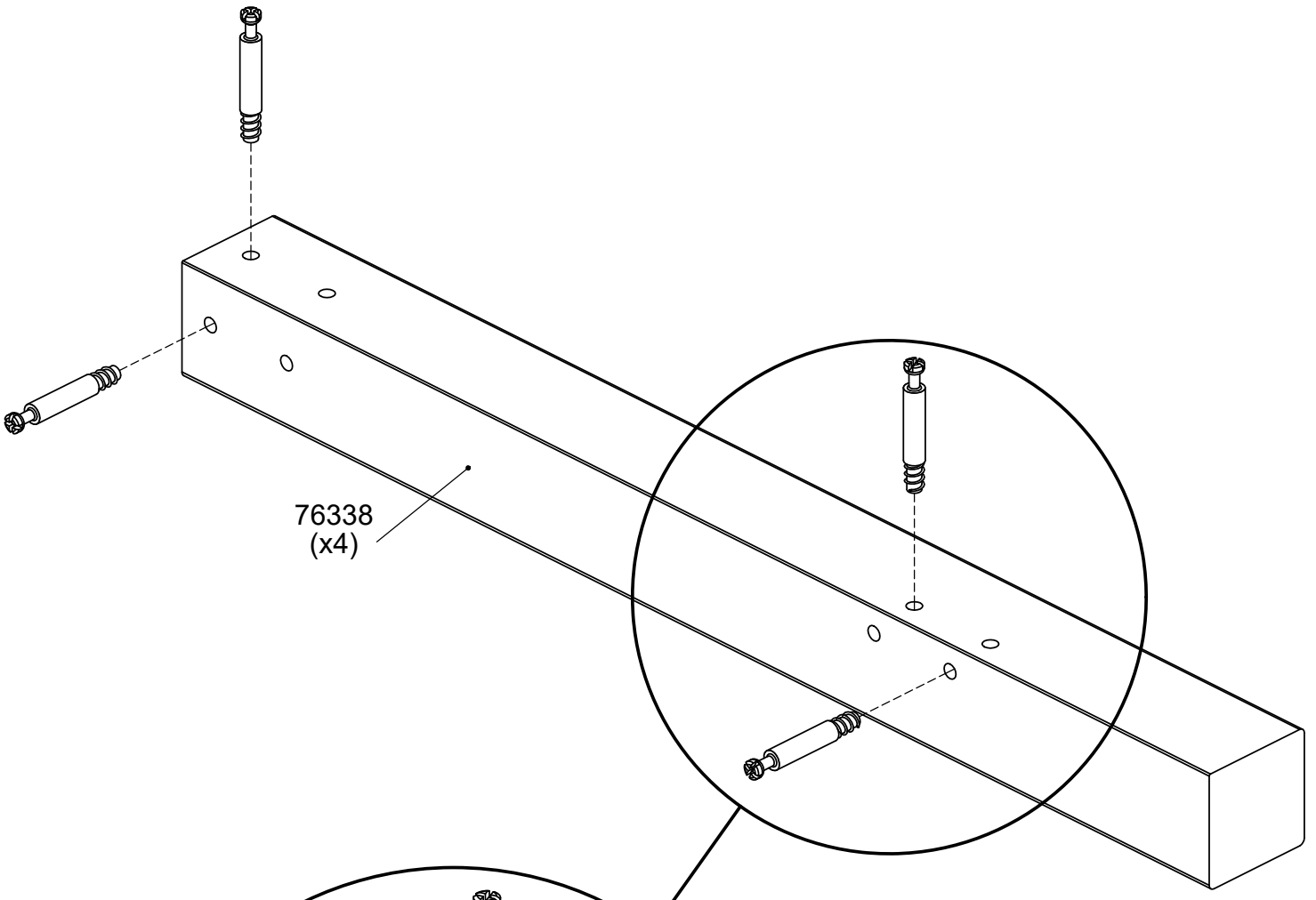
31687
x16



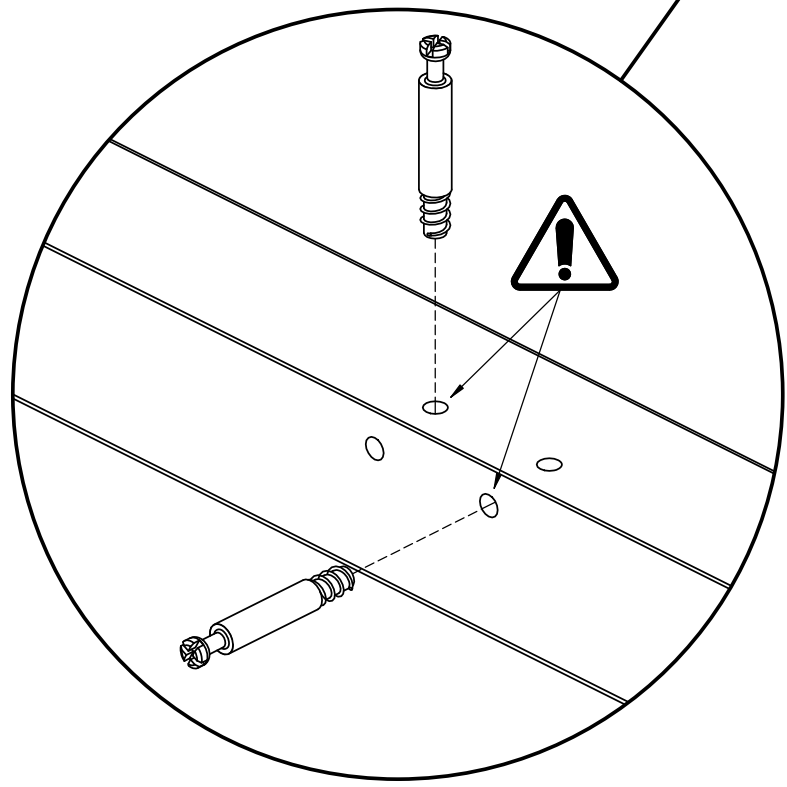


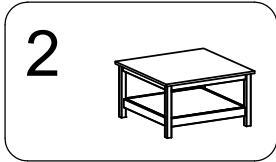


31513
x16

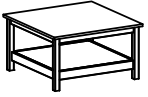
A detailed drawing of a screw with a hexagonal head and a threaded shaft.

76338
(x4)





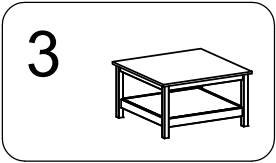
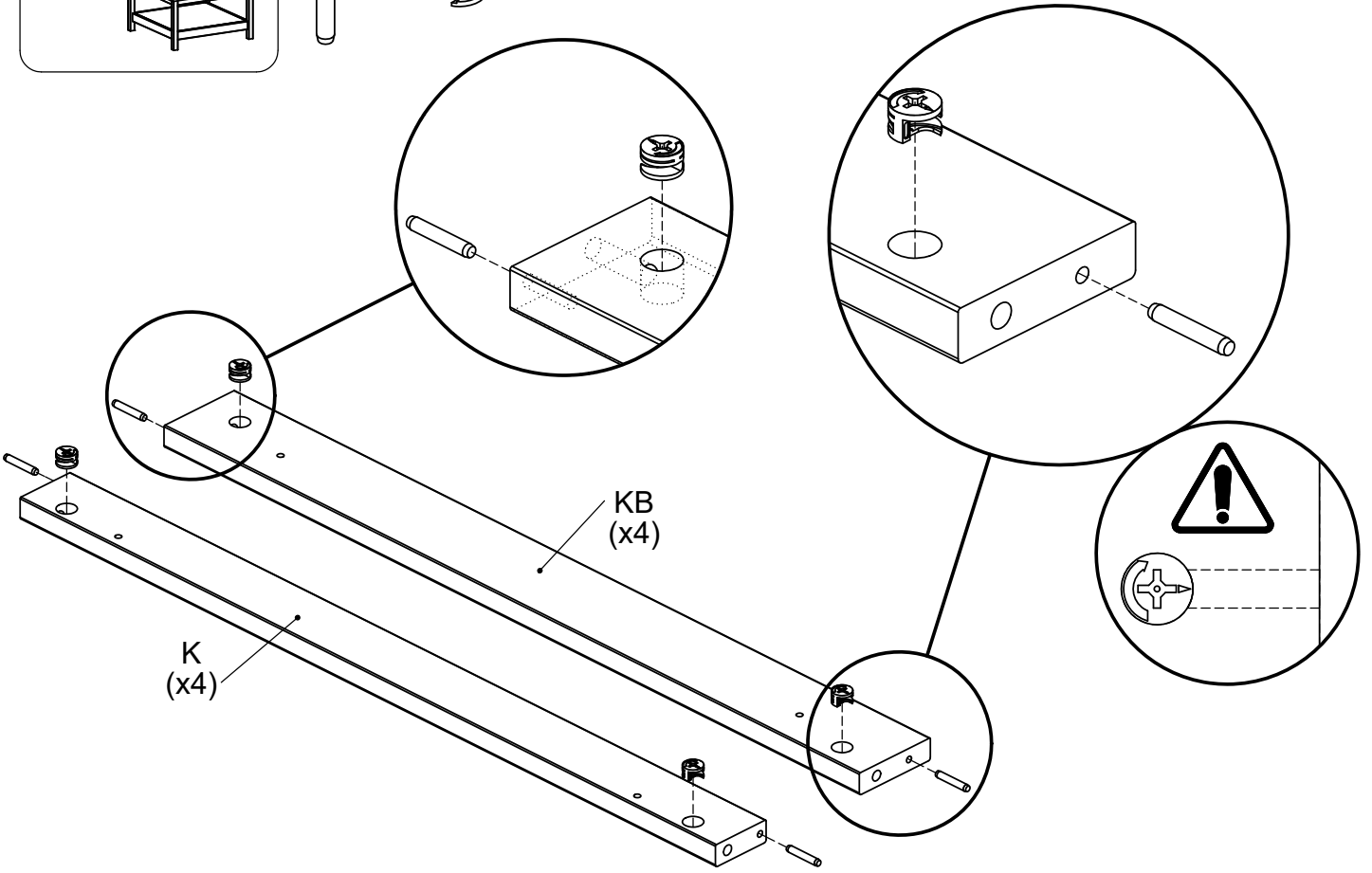
2



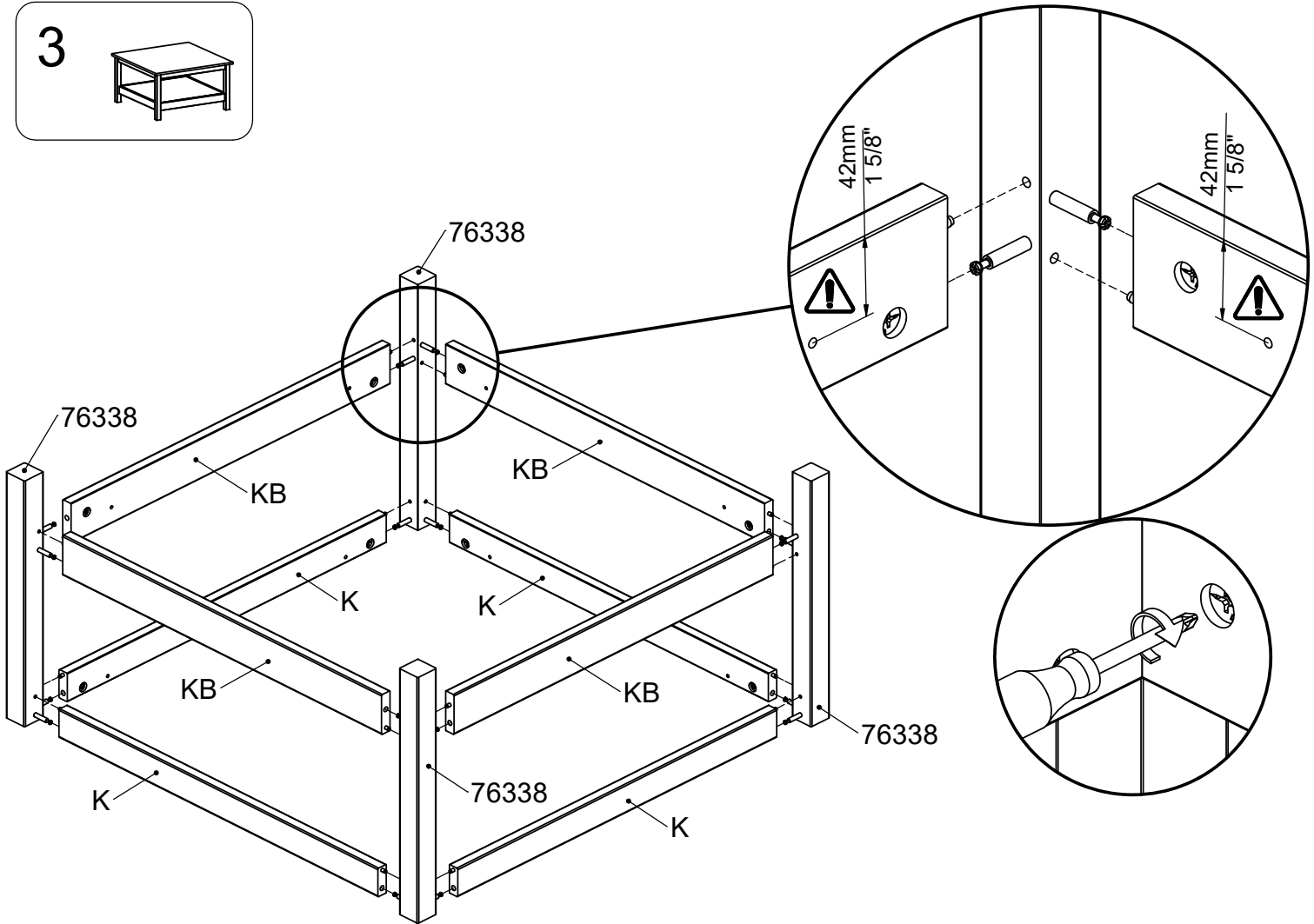
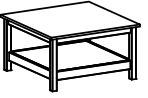
20203
x16

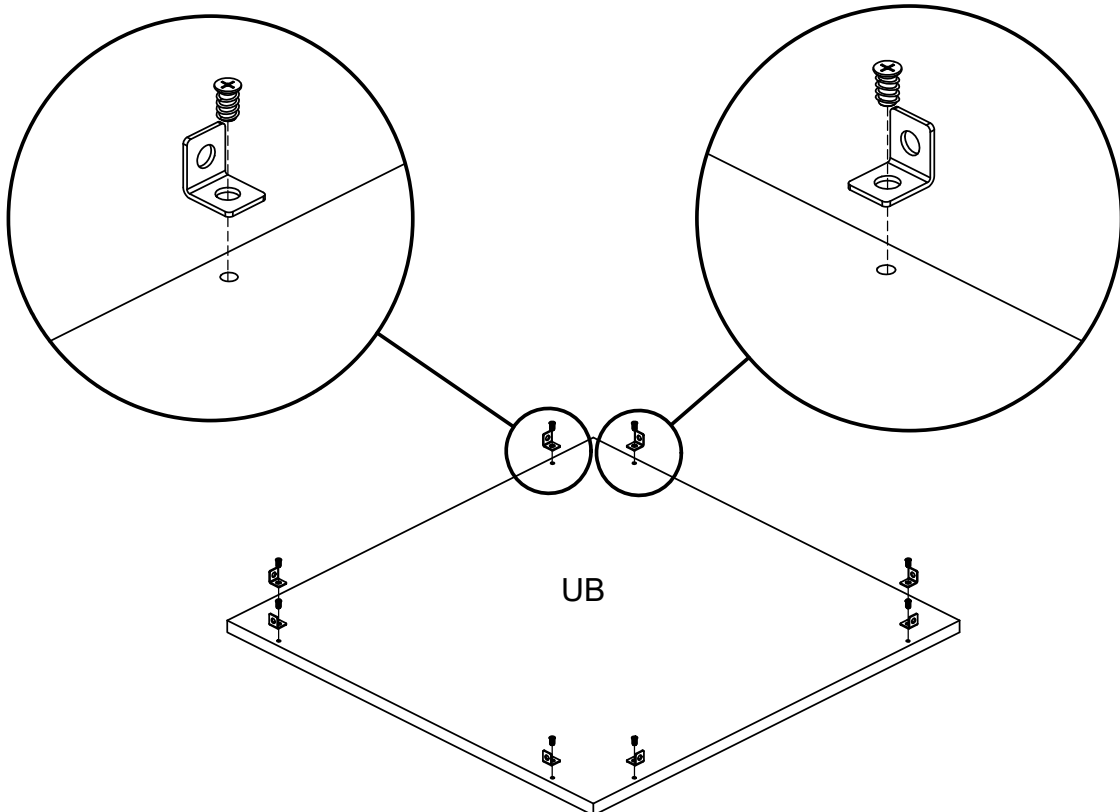
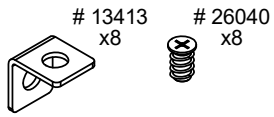
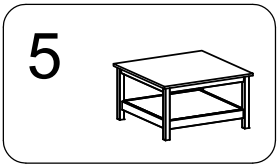
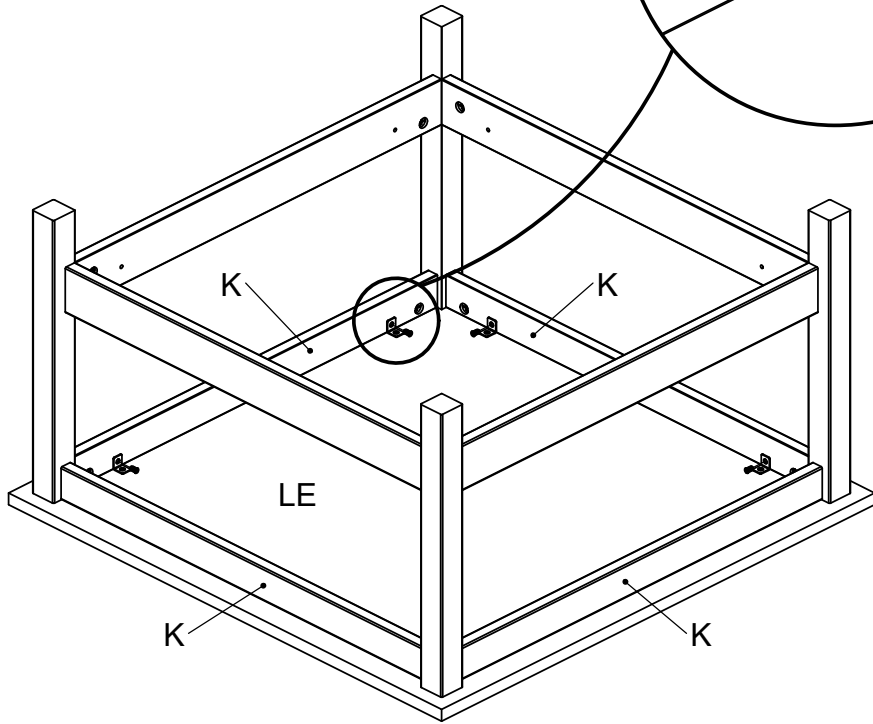
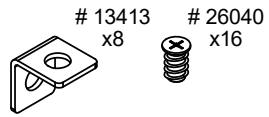
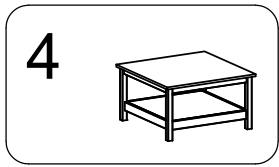


31687
x16

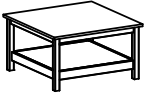


3





6



26040
x8

