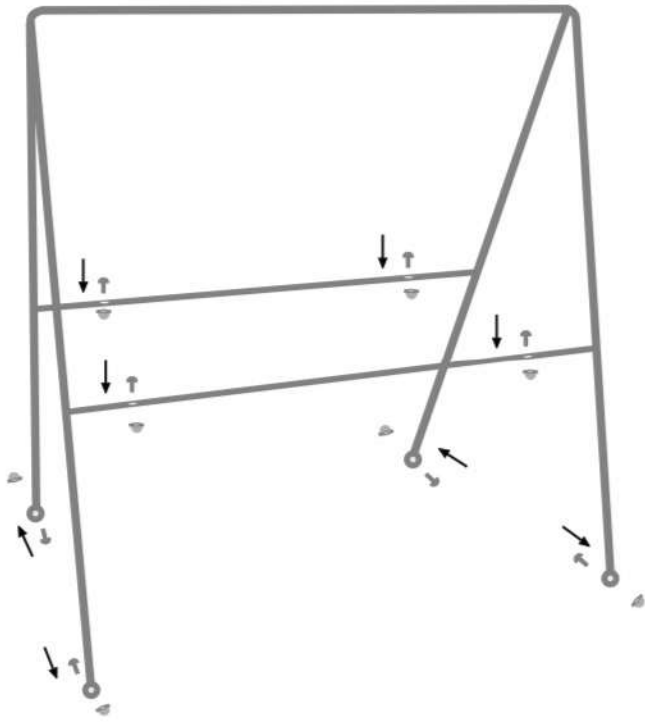
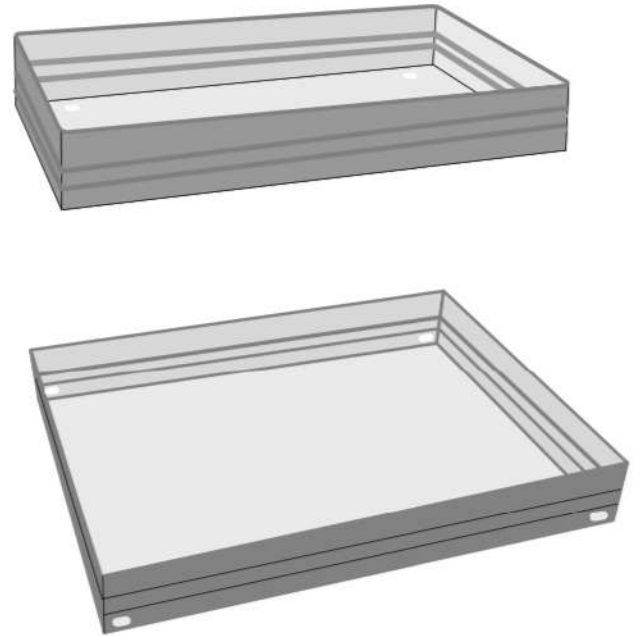


# ASSEMBLY INSTRUCTION

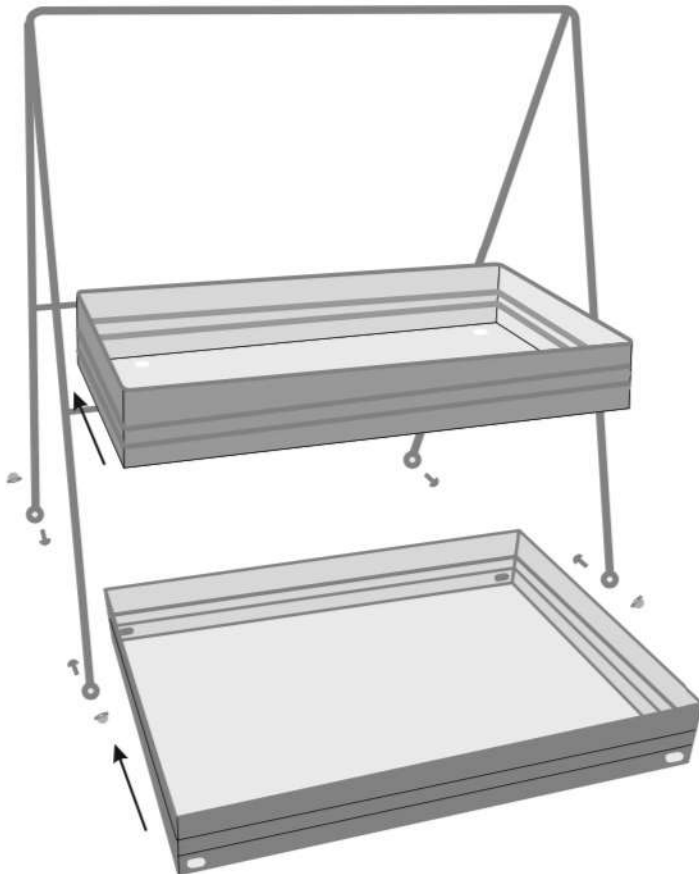
PART - A



PART - B



PART - C



PART - D (FINAL PRODUCT)

