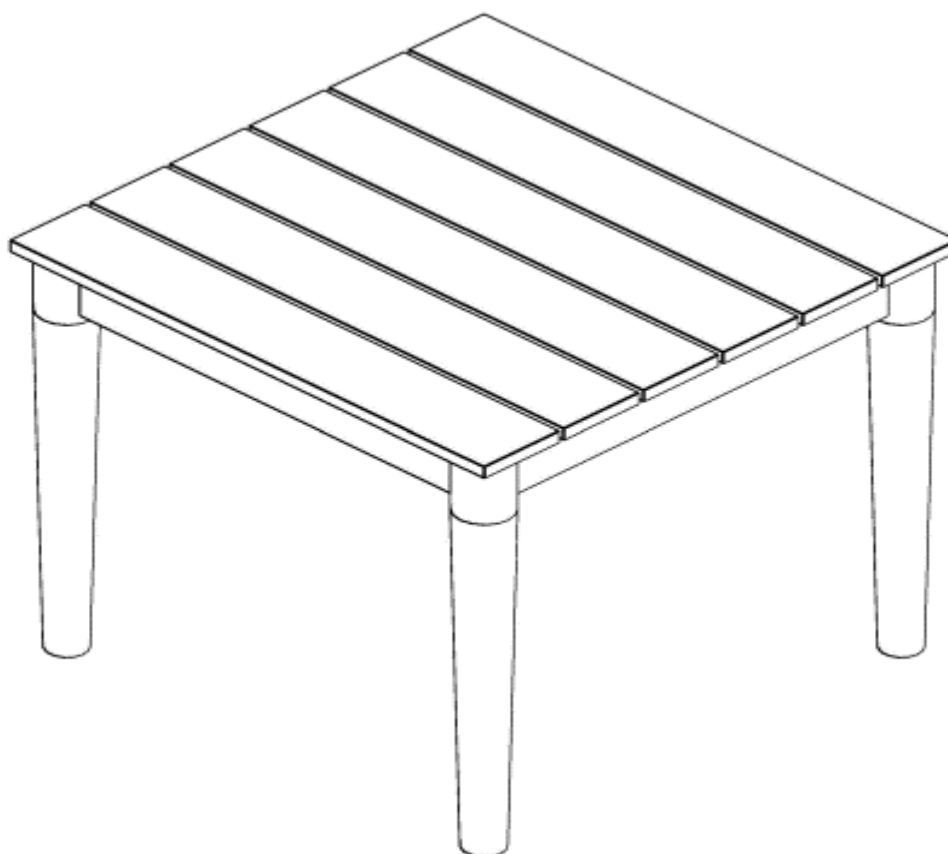


# Assembly Instructions

**Caution: You must read this before you proceed**

**Please look in the Leg for hardware packs**

## **TABLE**

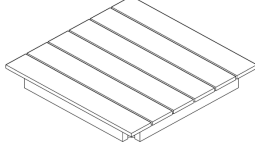



**CAUTION:** This Table is NOT a TOY.


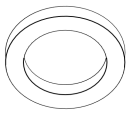

Keep your child / children at bay during the assembly process.

Whenever lifting or moving the Table and to prevent damage to the Table, two adults may be needed to execute these actions.

## Parts List

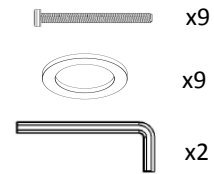
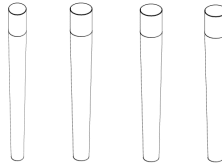
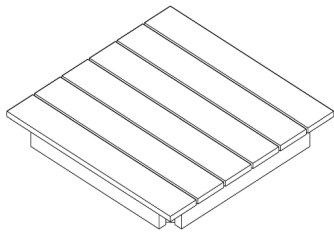
Label	Picture	Description	QTY
A	 A perspective drawing of a square table top with a grid of parallel lines.	Table Top	1
B	 A simple line drawing of a vertical cylindrical leg.	Leg	4

## Hardware

Label	Picture	Description	QTY
①	 A perspective drawing of a hexagonal bolt with a hexagonal head and a threaded shaft.	Bolt (M6 X 50mm)	9
②	 A perspective drawing of a flat washer with a central hole and an outer ring.	Flat (φ6/20 x 2 mm)	9
③	 A perspective drawing of an L-shaped Allen wrench with a hexagonal end.	Allen Wrench	2

## Assembly Preparation

Before Beginning Assembly:



- Read instructions, cover to cover-



- Have 2 adults on hand for assembly-



- Do not assemble on flooring or carpet-



- Assemble on a clean non-marring surface (packing foam)-

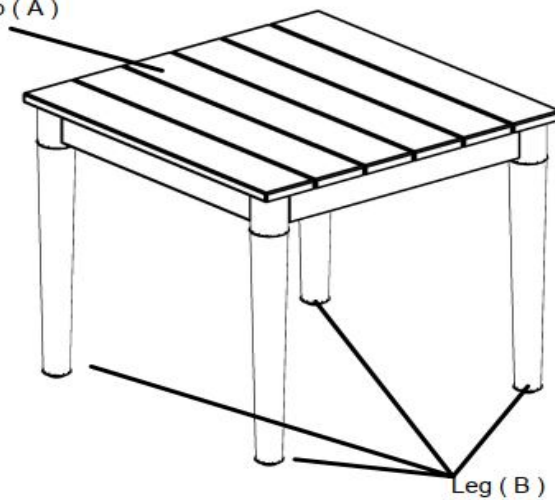


- Save all packaging until finished-

## Assembly Steps

### Overview

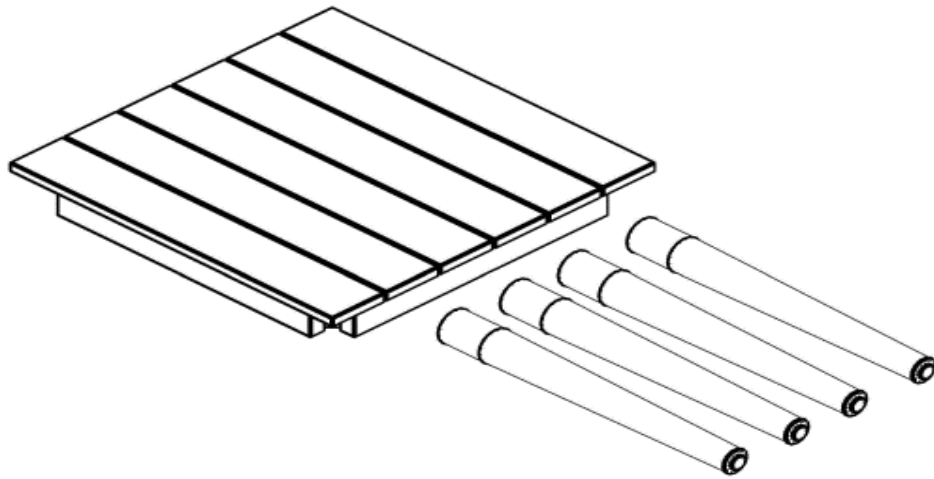
Table top ( A )



**FRONT FACING**

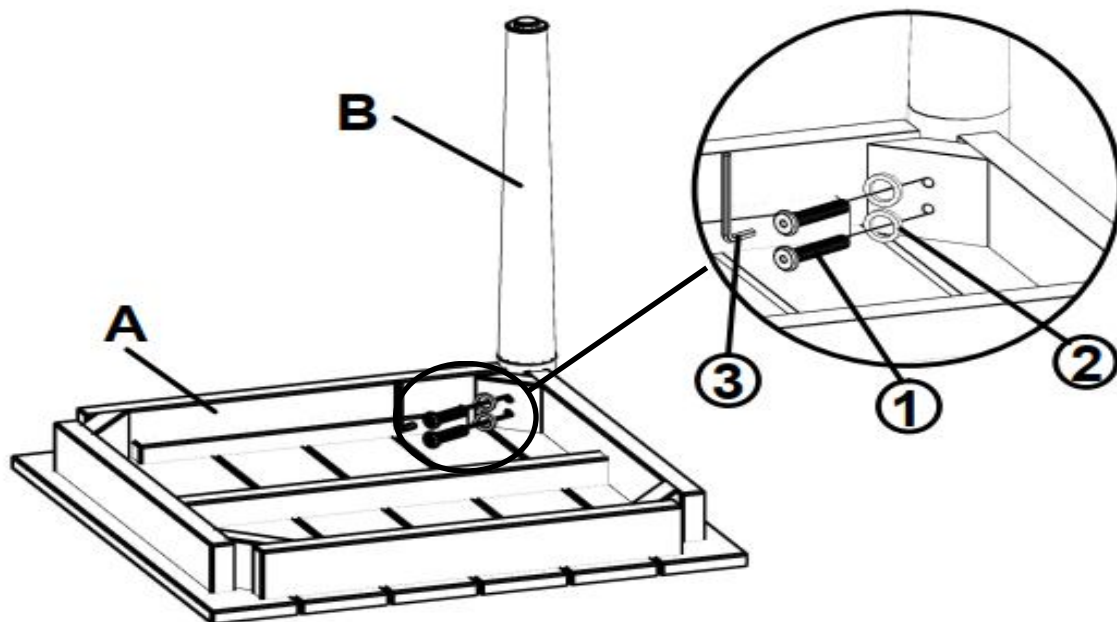
This Table has multiple parts and may require up to 30 minutes to assemble. To give you an overview of the Table, the above picture is to help you put the various parts into perspective. Please read through the instructions below to familiarise yourself with the parts and steps before assembly.

## Step 1



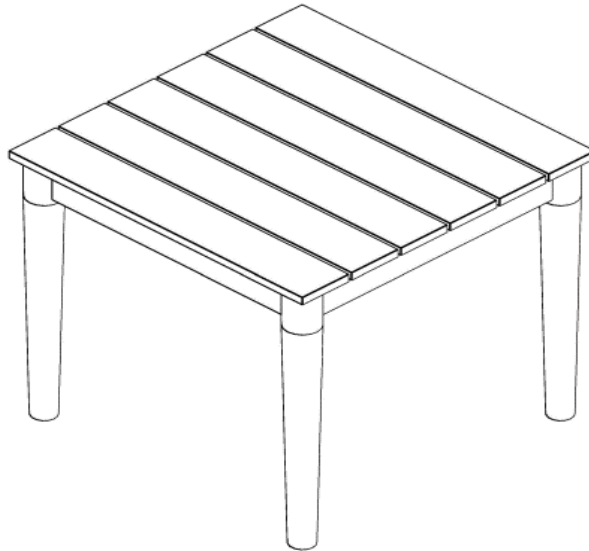
Unpack and place all parts on a clean, non-marring surface.

## Step 2



Place the Table Top(A) facing down on the non-marring surface.  
Attach the Leg(B) into the Table Top(A) using Bolt(①), Flat(②) and Allen Wrench(③) to assemble.  
Repeat the same process for three remaining Legs(B).  
**Do not fully tighten the Bolts.**

### Step 3



Stand the Table up, with assistance from your adult partner.

Exert pressure floorwards, onto the Table with both your hands.

This pressure will help the Legs and Table Top reach full alignment status.

Check for wobbles on a LEVEL surface.

If no wobbles are found proceed to tighten the Bolts in a sequential manner, until evenly secured.

When tightening the Bolts tighten sequentially.










Do not tighten any Bolt fully and then move on towards the next one.

If there are still wobbles, loosen the Bolts and execute the same above process.

**Your Table is ready for use.**

**This Table can only be used on the flat, level surface.**

### Care & Maintenance

- ⊗  ● Do not put hot items directly on furniture surface.
- ⊗  ● Do not clean furniture with harsh cleansers or polish.
- ✓  ● To obtain the longest lifespan of your outdoor products, minimizing exposure to direct sunlight is recommended.
- ⊗  ● Children should not climb or jump on the furniture.
- ⊗  ● Do not write on furniture without a padded barrier to protect the surface.
- ✓  ● To obtain the longest lifespan of your outdoor products, avoid extended and lengthy exposure to rain, snow, and direct sunshine. Whenever possible cover the product and /or place under patio or awnings.
- ⊗  ● Not for commercial use. For residential use only.
- ⊗  ● Stains may be removed with mild soap solution and damp cloth.
- ✓  ● Dust and pick-up spills using a clean, non-colored, lint-free cloth .