

KOHLER®

Undertone®
Undermount bar sink
K-3331

Features

- 21" (533 mm) minimum base cabinet width.
- Single bowl.
- 7-1/2" (191 mm) depth.
- Rear drain increases workspace in the sink and storage space underneath.
- Includes installation hardware.

Material

- Premium 18-gauge stainless steel.

Installation

- Undermount.

Recommended Products/Accessories

- K-6388 Sink Rack
- K-8801 Sink drain and strainer with tailpiece
- K-8799 Sink drain and strainer basket
- K-23726 Drain treatment
- K-23729 Stainless steel cleaner

Optional Products/Accessories

- K-11352 Disposal Flange with Stopper

Included Components

Product consists of:

- 91915 Hardware Kit



ADA

Codes/Standards

ASME A112.19.3/CSA B45.4
ADA
ICC/ANSI A117.1

Lifetime Limited Warranty for KOHLER® Stainless Steel Sinks

See website for detailed warranty information.

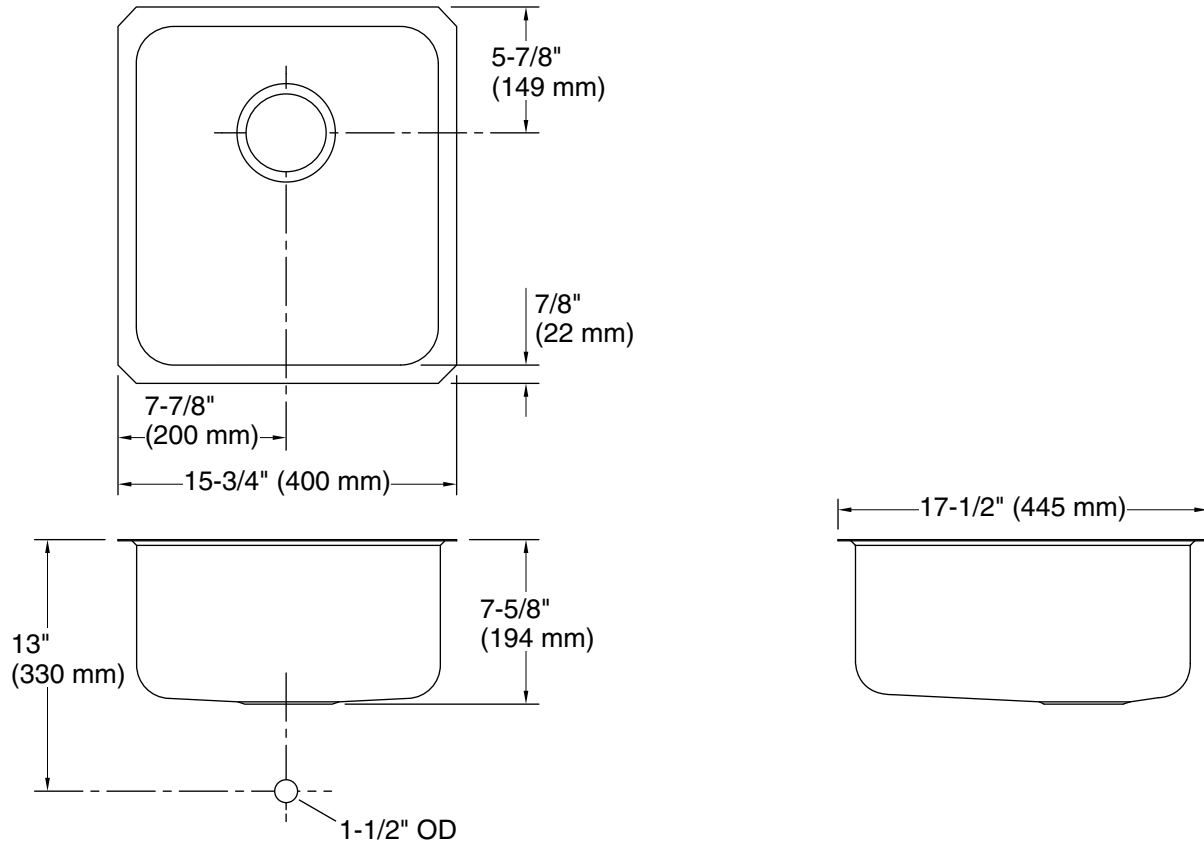
1-800-4KOHLER (1-800-456-4537)

Kohler Co. reserves the right to make revisions without notice to product specifications.

For the most current Specification Sheet, go to www.kohler.com.

5-29-2021 18:17 - US/CA

THE BOLD LOOK
OF **KOHLER®**



Technical Information

All product dimensions are nominal.

Installation:	Under-mount
Min. base cabinet width:	21" (533 mm)
Bowl area (Only):	Length: 14" (356 mm) Width: 15-3/4" (400 mm) Bowl depth: 7-1/2" (191 mm) Water depth: 7-1/2" (191 mm)
Drain hole:	3-5/8" (92 mm)
Template:	111134-7, required, included

Notes

Install this product according to the installation instructions.

ADA compliant when installed to the specific requirements of these regulations.

ADA permits a parallel approach to wet bars.