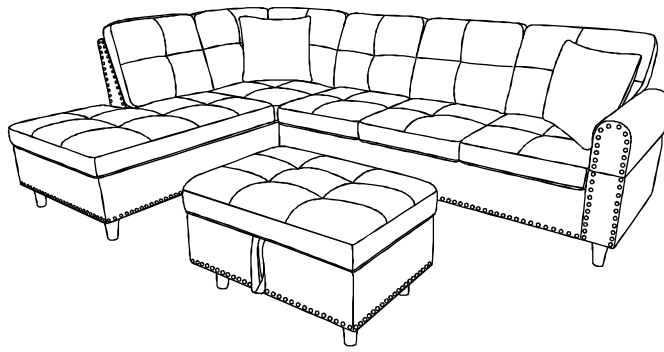


ASSEMBLY INSTRUCTION

ITEM NO.:DV4032/ DV4033/ DV4034/ DV4041/ DV4042/ DV4045

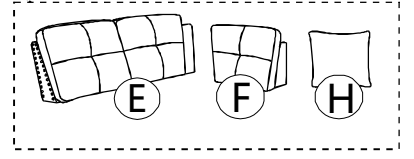
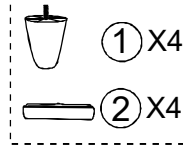
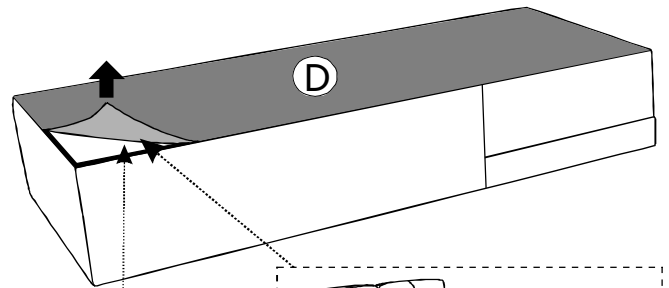
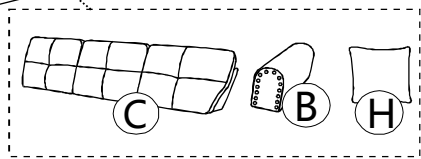
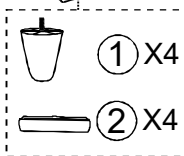
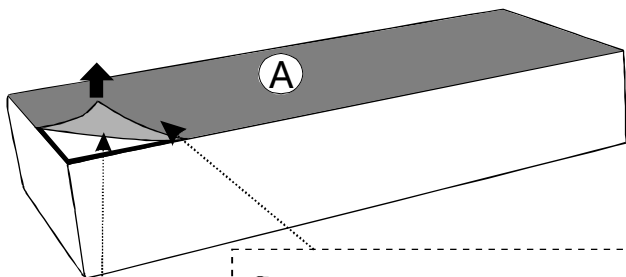


PARTS LIST

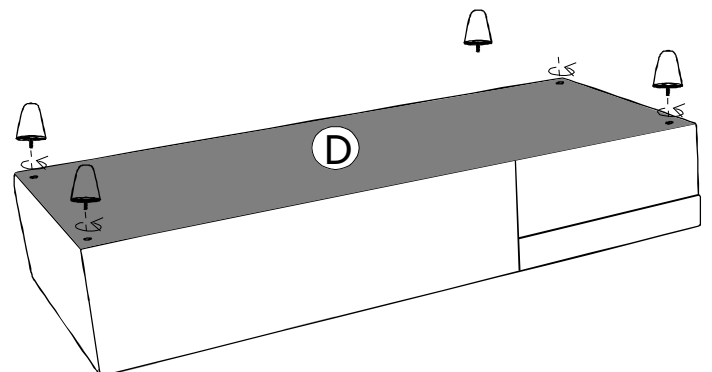
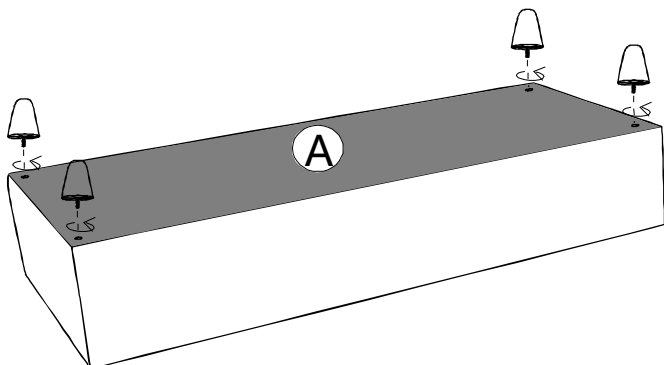
A X1	B X1	C X1	D X1	E X1	F X1	G X1

HARDWARE LIST

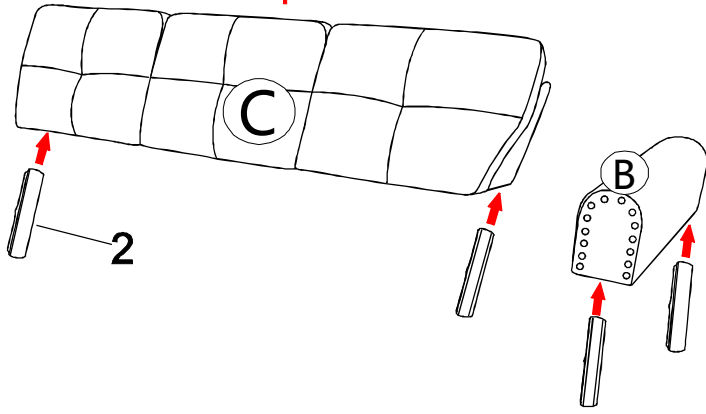
1 X12	2 X8	H X2



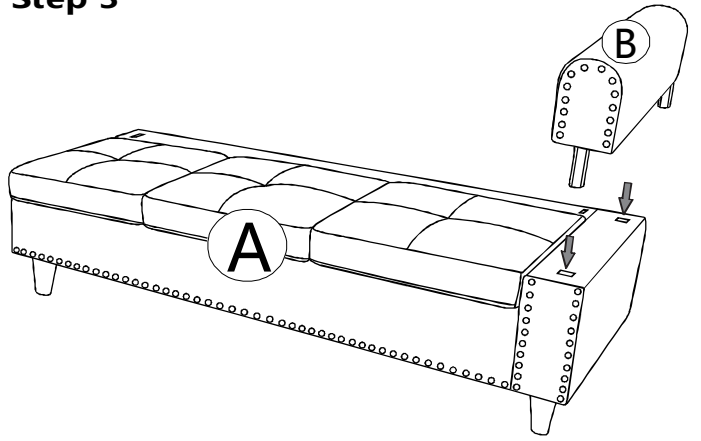
Step 1



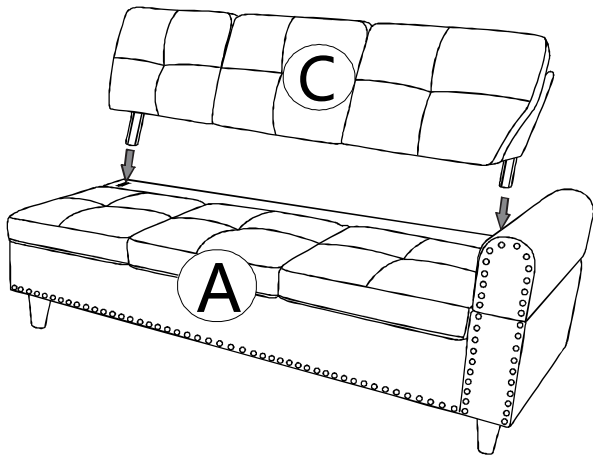
Step 2 Please pay attention to follow this step to assemble!



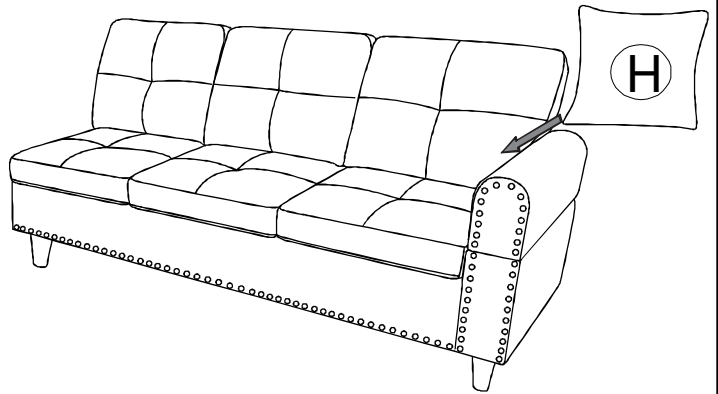
Step 3



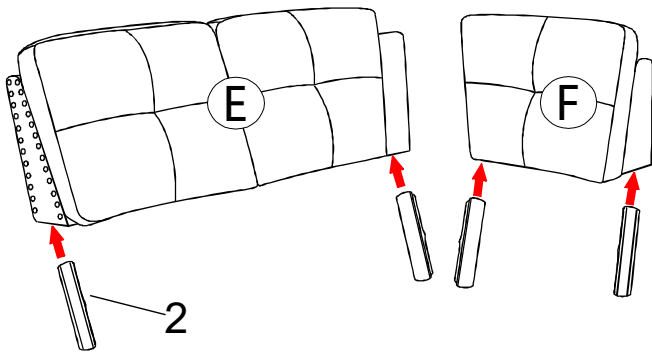
Step 4



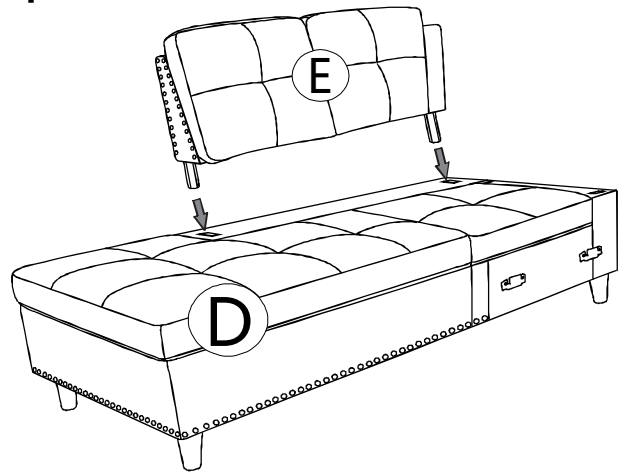
Step 5



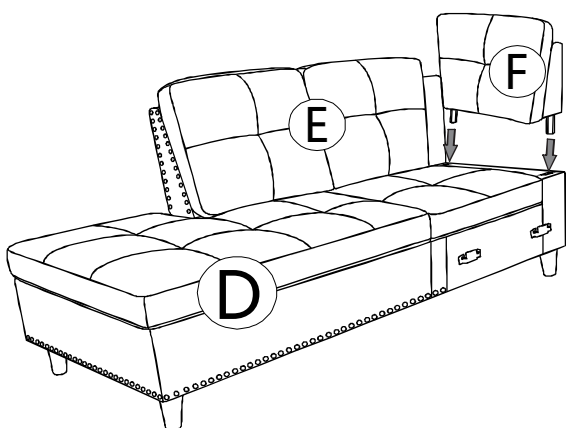
Step 6 Please pay attention to follow this step to assemble!



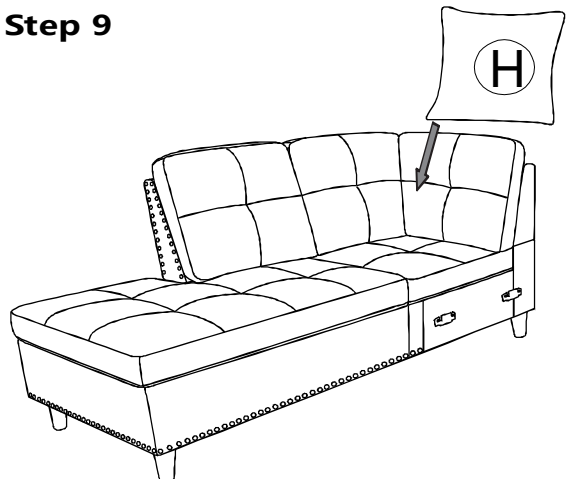
Step 7



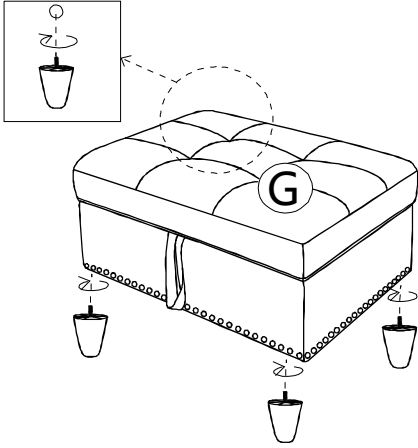
Step 8



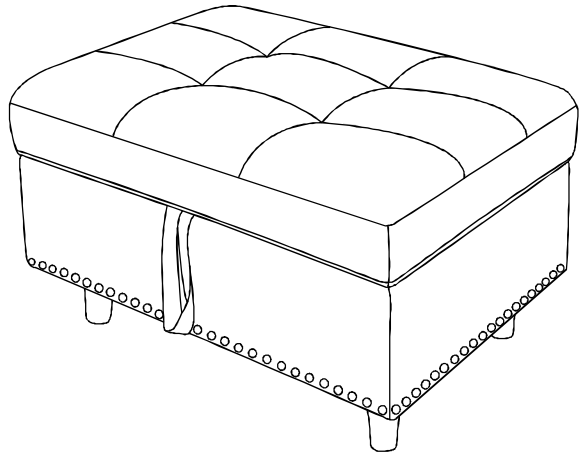
Step 9



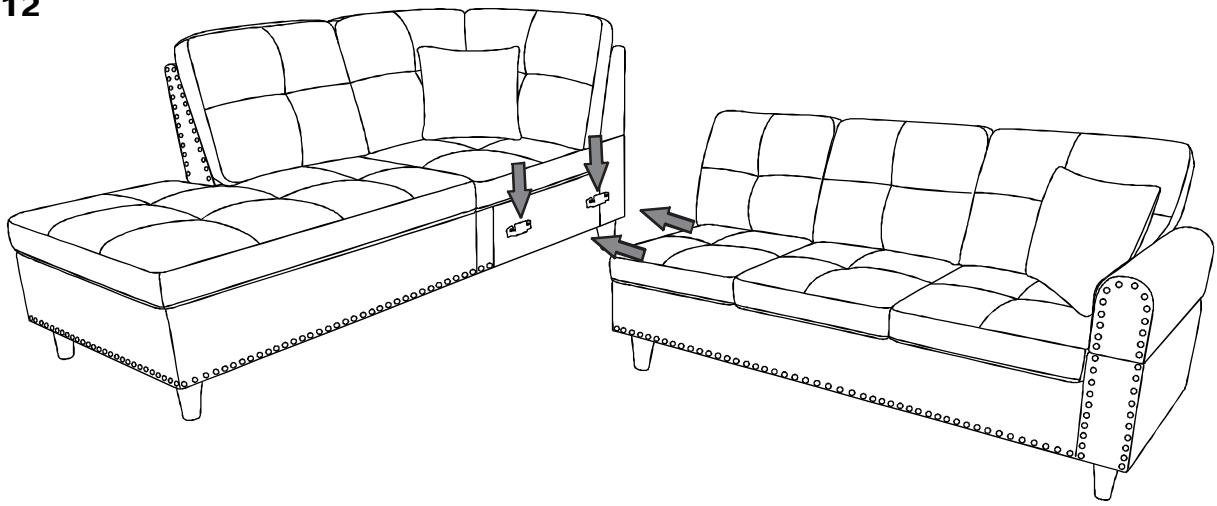
Step 10



Step 11



Step 12



Step 13

