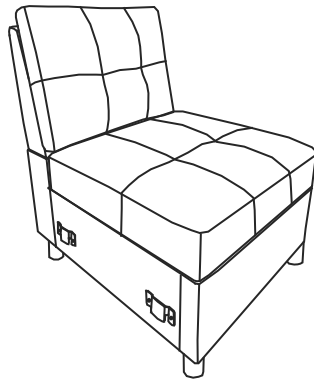


ASSEMBLY INSTRUCTION



PARTS LIST

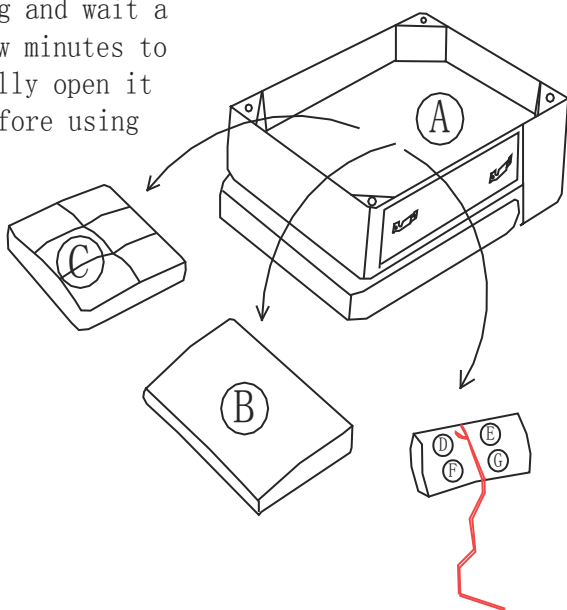
A x1	B x1	C x1	D x4

HARDWARE LIST

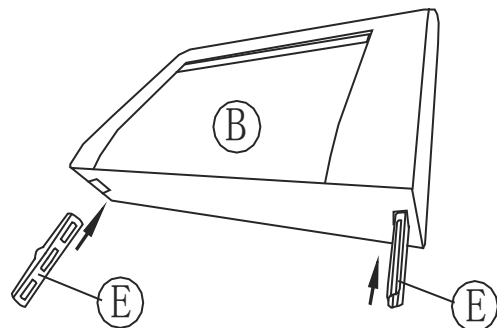
E x2	F x4	G x4

Step 1

Take out the soft bag and wait a few minutes to fully open it before using



Step 2



When the iron sheet is inserted, the groove faces outward.