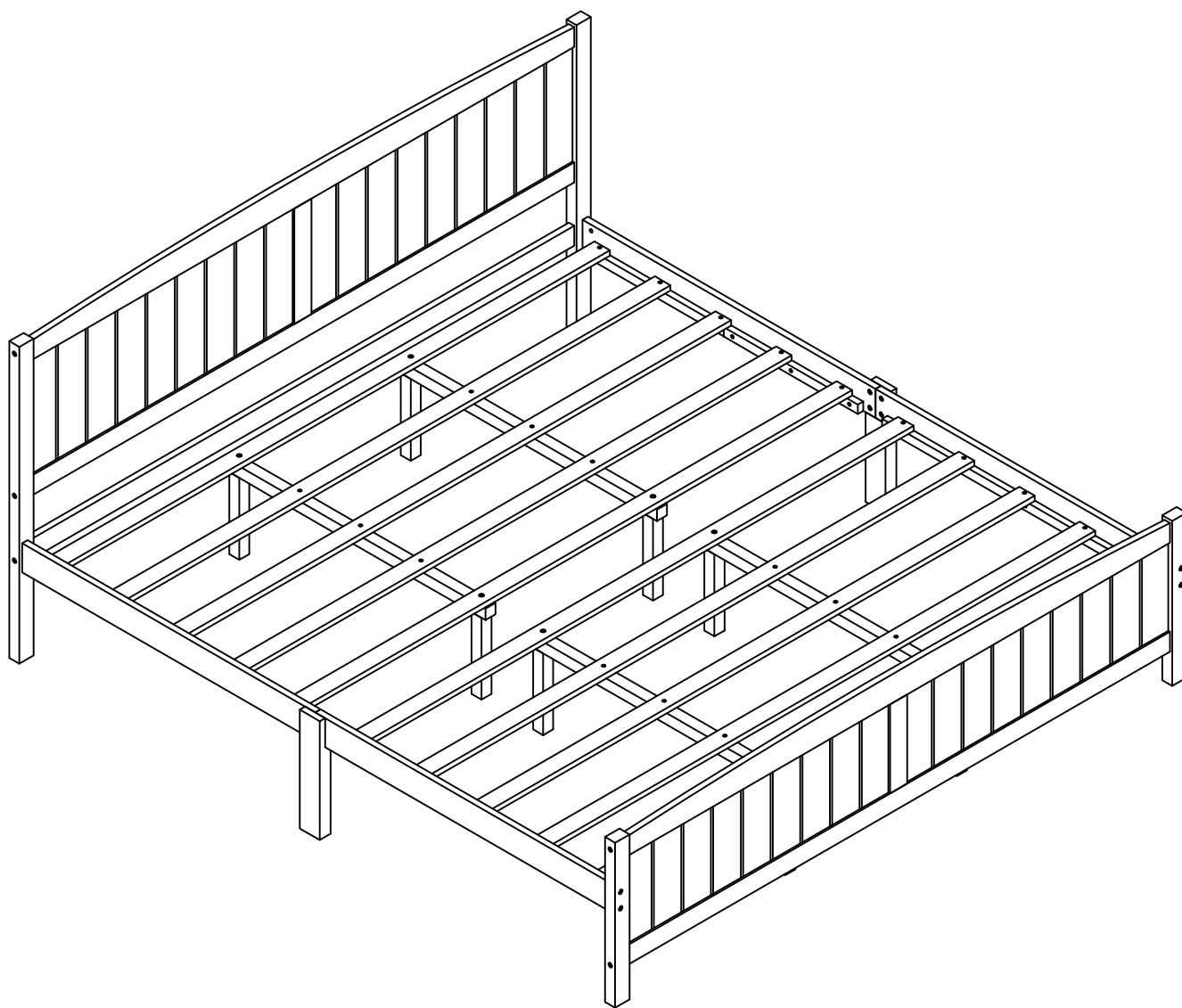
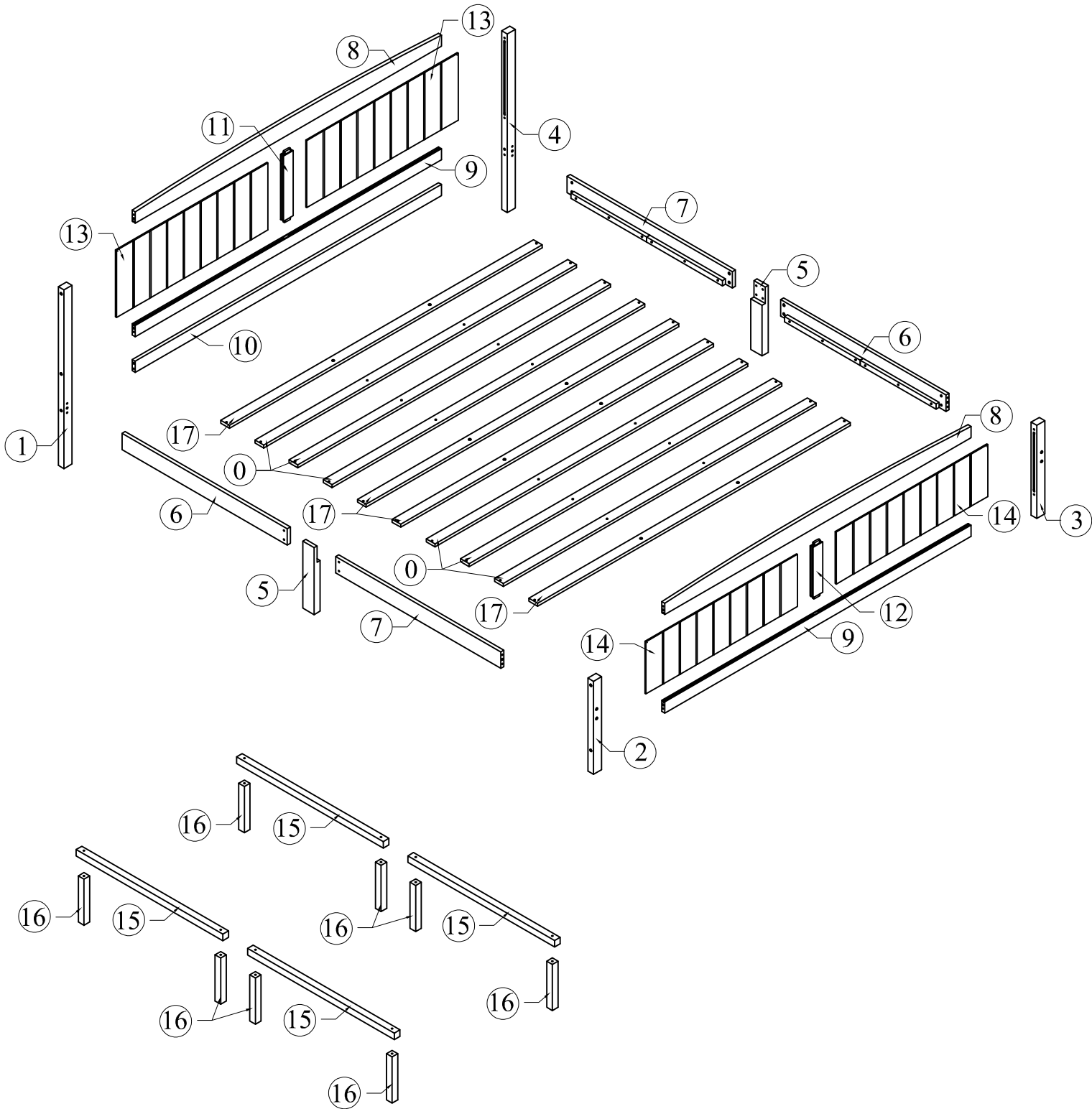


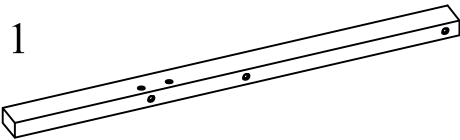
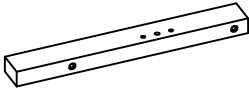
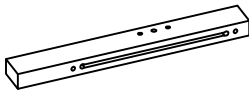
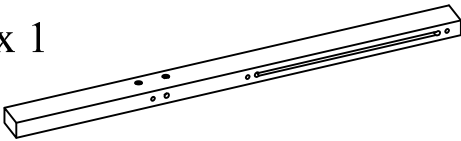
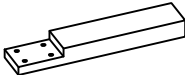
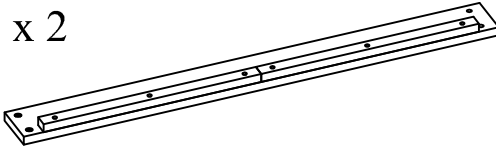
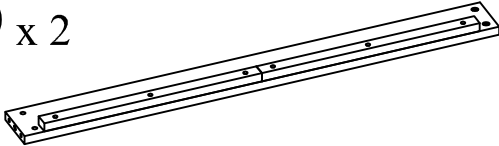
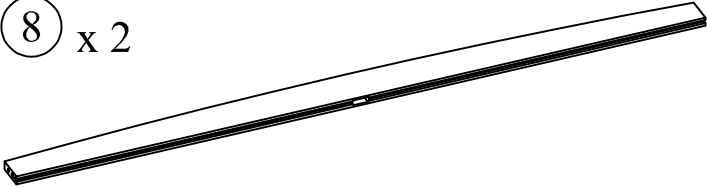
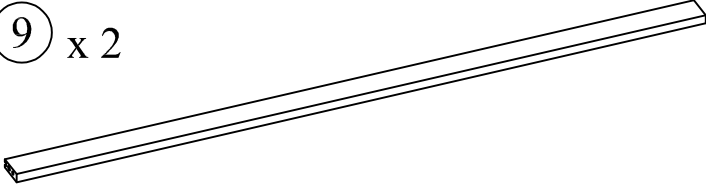
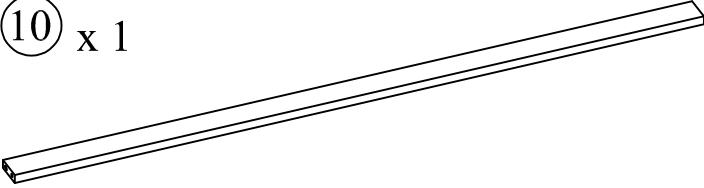


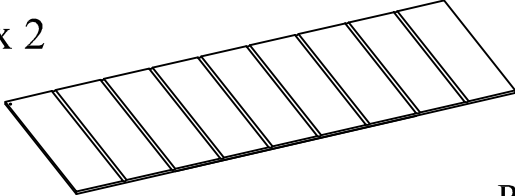
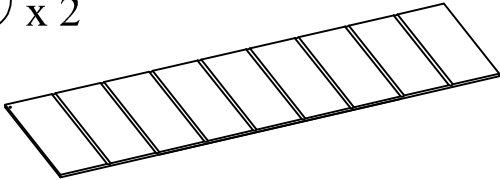
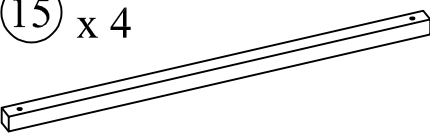

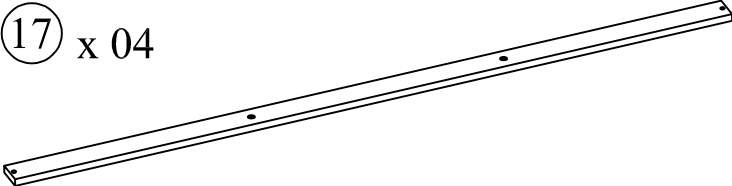
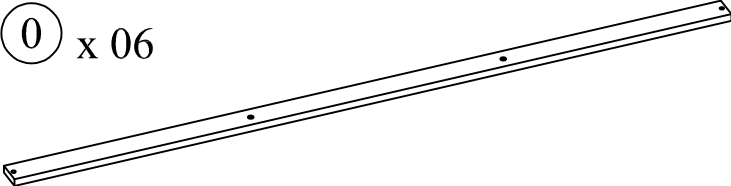
ASSEMBLY INSTRUCTION




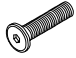






ASSEMBLY INSTRUCTION



Part List -

<p>① x 1</p>  <p>Leg</p>	<p>② x 1</p>  <p>Leg</p>
<p>③ x 1</p>  <p>Leg</p>	<p>④ x 1</p>  <p>Leg</p>
<p>⑤ x 2</p>  <p>Leg support</p>	<p>⑥ x 2</p>  <p>Side rail</p>
<p>⑦ x 2</p>  <p>Side rail</p>	<p>⑧ x 2</p>  <p>Crossbar</p>
<p>⑨ x 2</p>  <p>Crossbar</p>	<p>⑩ x 1</p>  <p>Crossbar</p>
<p>⑪ x 1</p>  <p>Vertical bar</p>	<p>⑫ x 1</p>  <p>Vertical bar</p>
<p>⑬ x 2</p>  <p>Panel</p>	
<p>⑭ x 2</p>  <p>Panel</p>	<p>⑮ x 4</p>  <p>Support salad</p>
<p>⑯ x 8</p>  <p>Extra leg</p>	
<p>⑰ x 04</p>  <p>Slats</p>	<p>⑰ x 06</p>  <p>Slats</p>

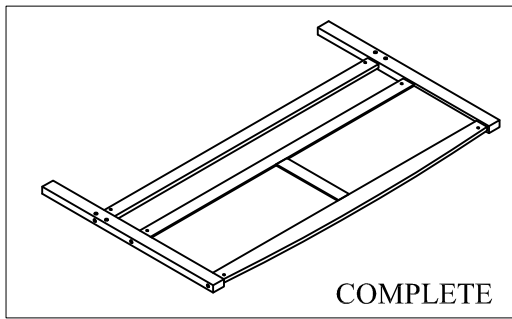
Hardware List -

No.	OUTLOOK	DESC	QTY
A		Dowel Ø10*40mm	14
B		Bolts 1/4"*30mm	08
C		Bolts 1/4"*70mm	08
D		Bolts 1/4"*80mm	08
E		Bolts 1/4"*100mm	10
F		Cross dowel 1/4"*13mm	18
G		Screws #8*30mm	32
H		Allen key 60*22*4mm	01

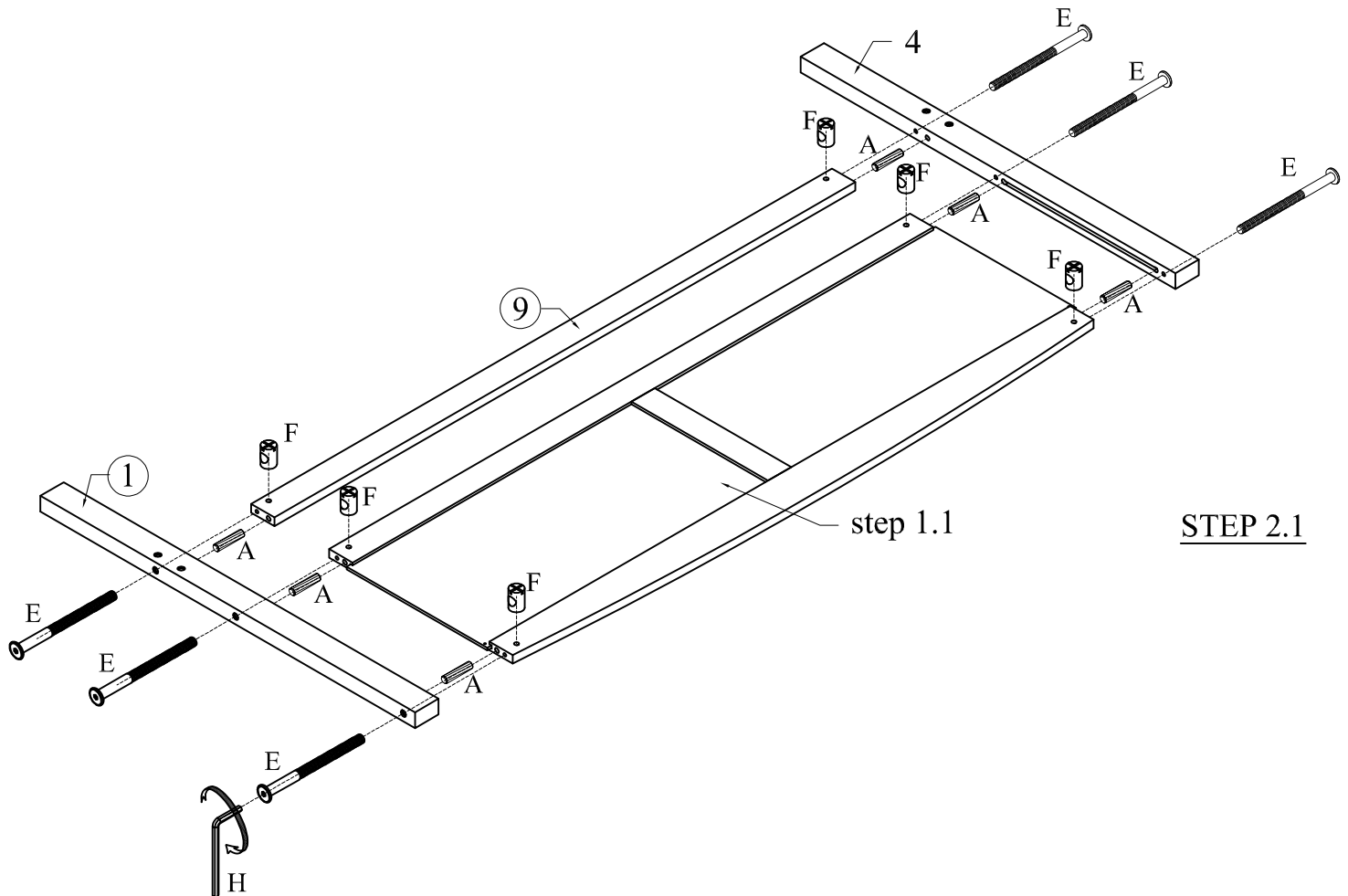
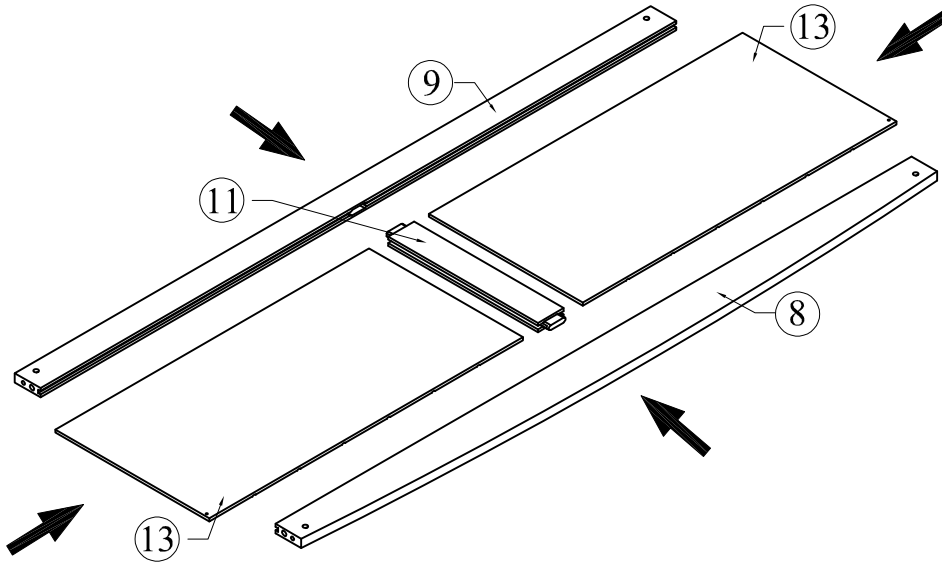
ASSEMBLY TOOLS REQUIRED (NOT INCLUDED)



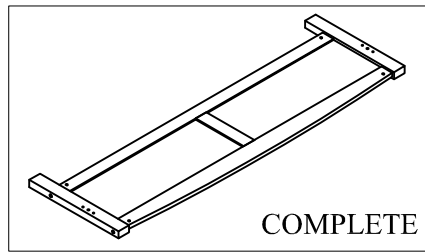
STEP 1



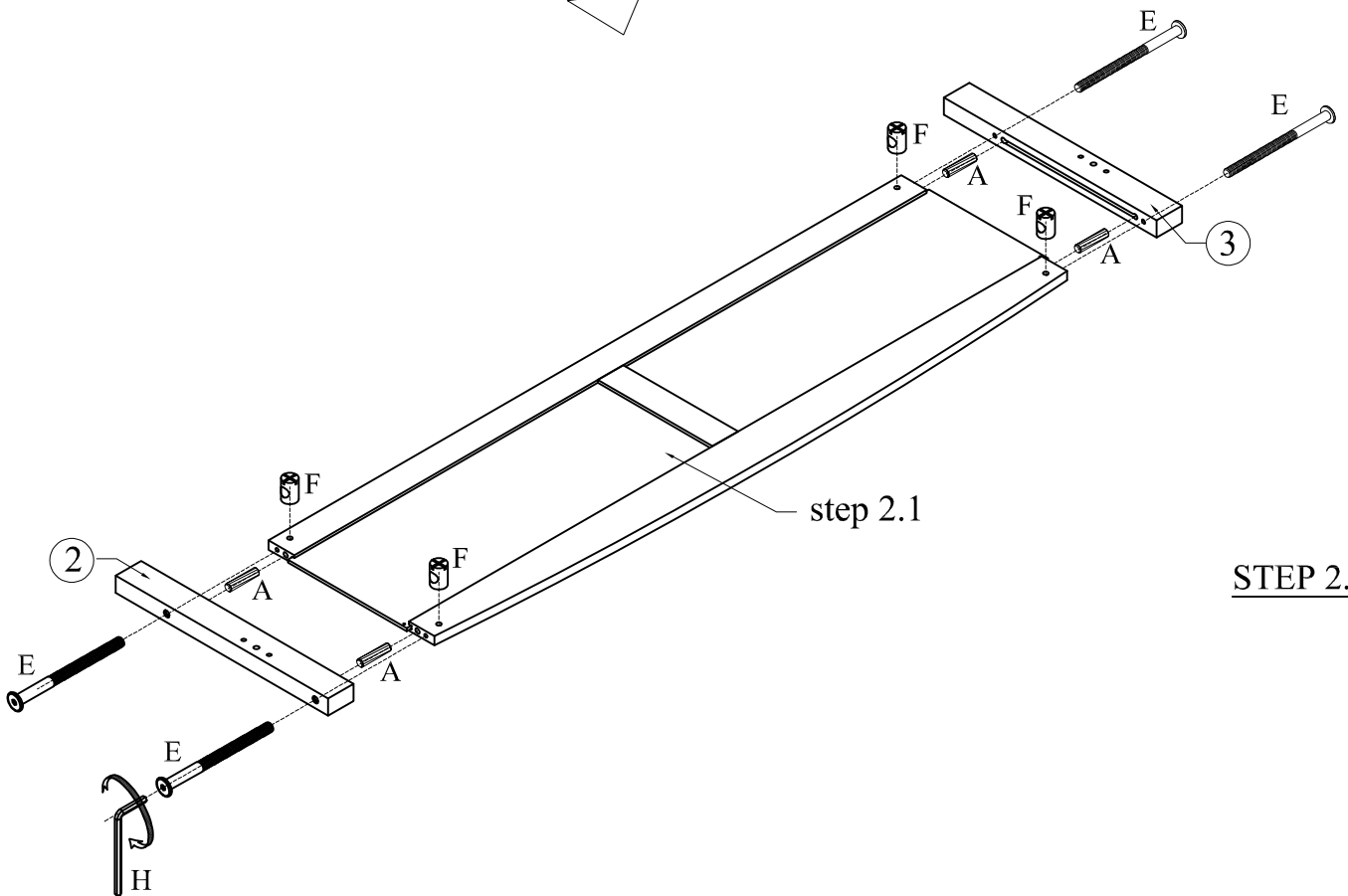
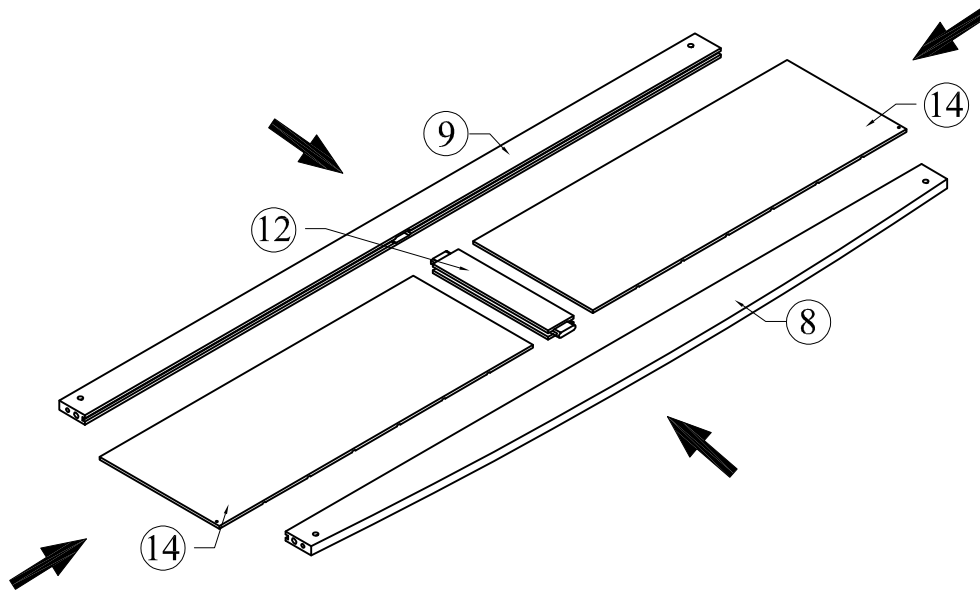
(A)		06
(E)		06
(F)		06



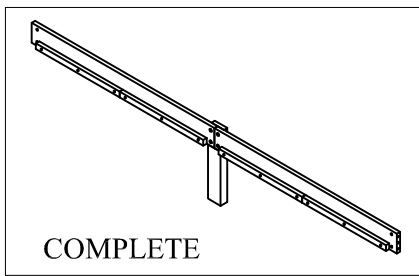
STEP 2

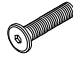


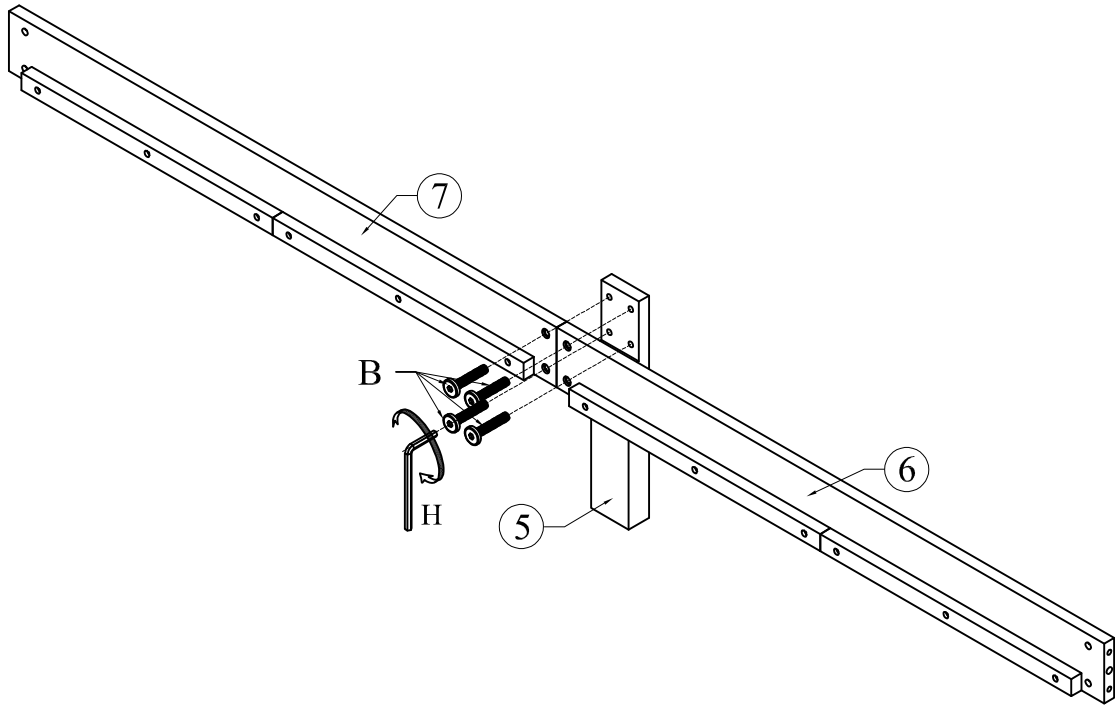
(A)		04
(E)		04
(F)		04



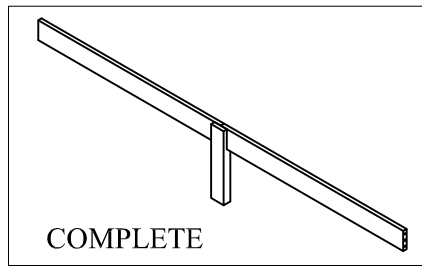
STEP 3

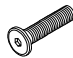


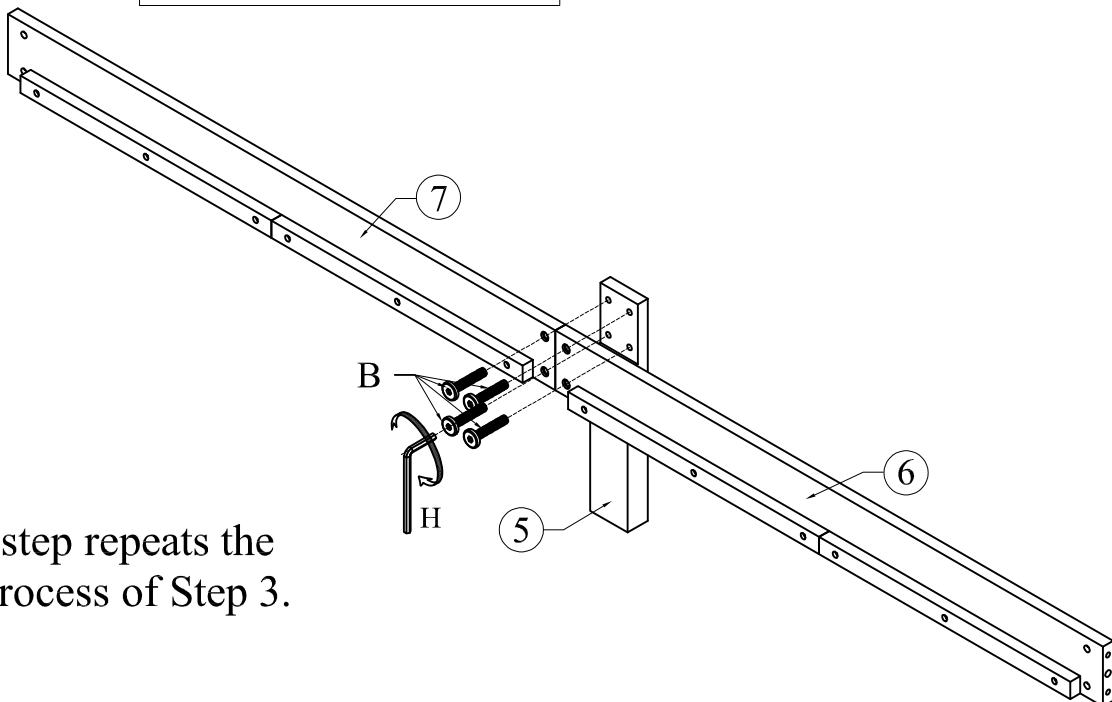
(B)		04
-----	---	----



STEP 4

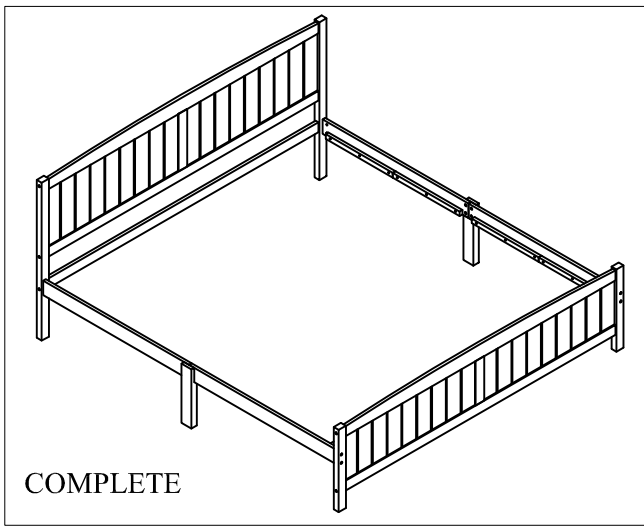


(B)		04
-----	---	----

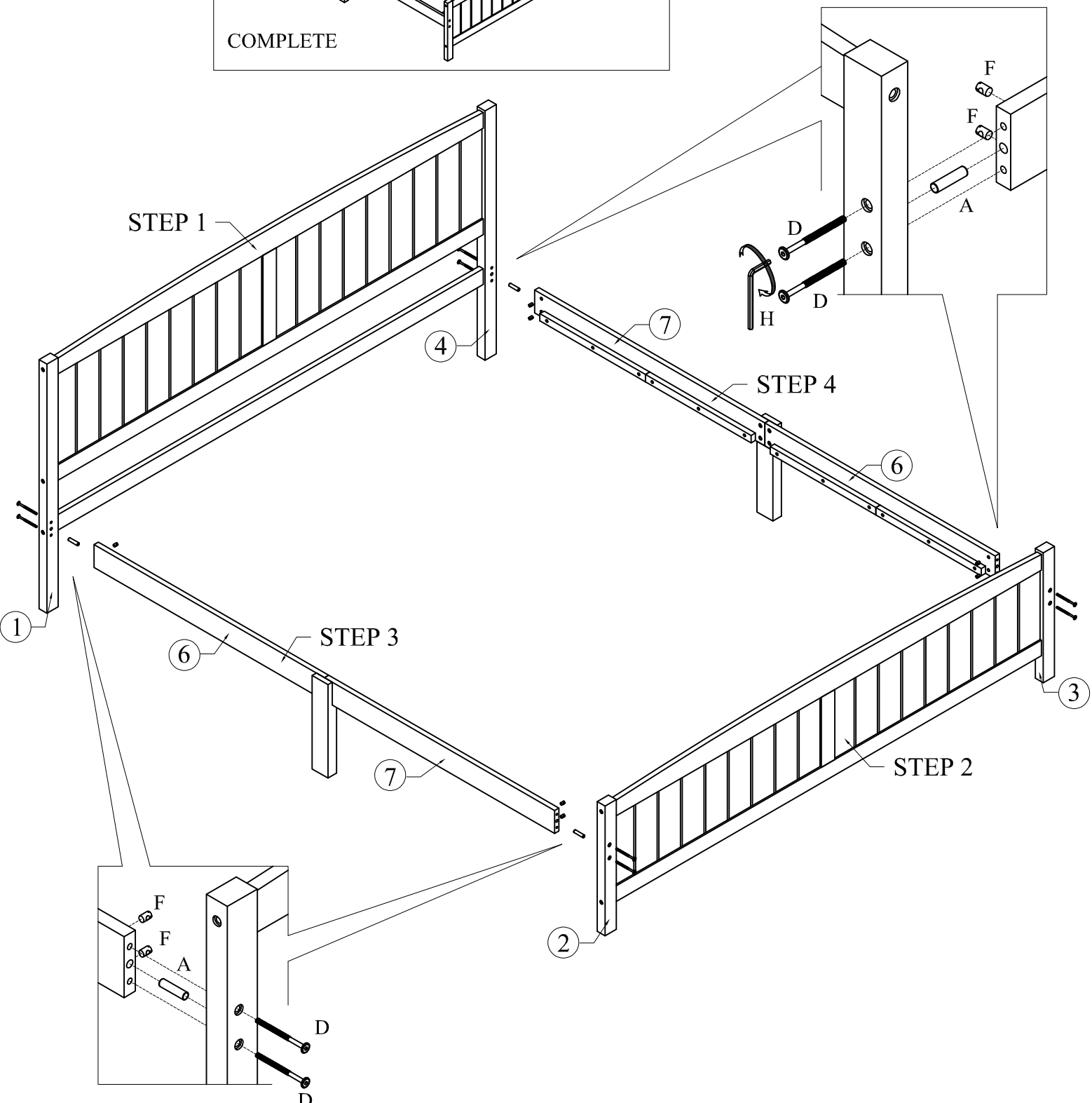


Note: This step repeats the assembly process of Step 3.

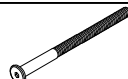

STEP 5

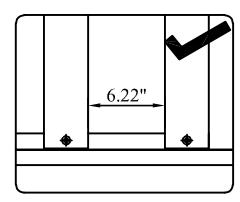
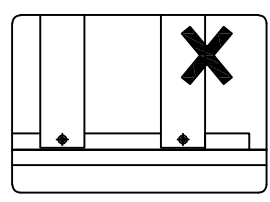
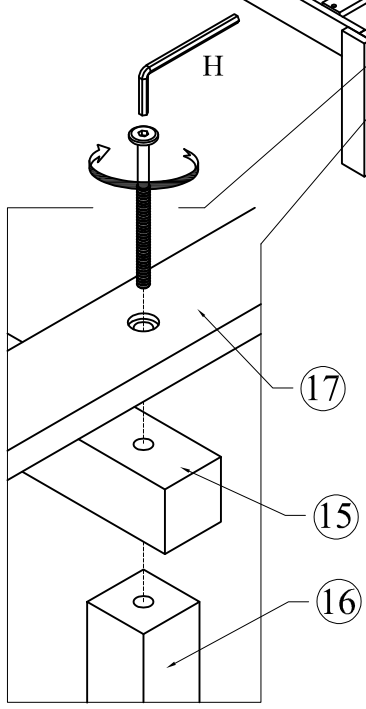
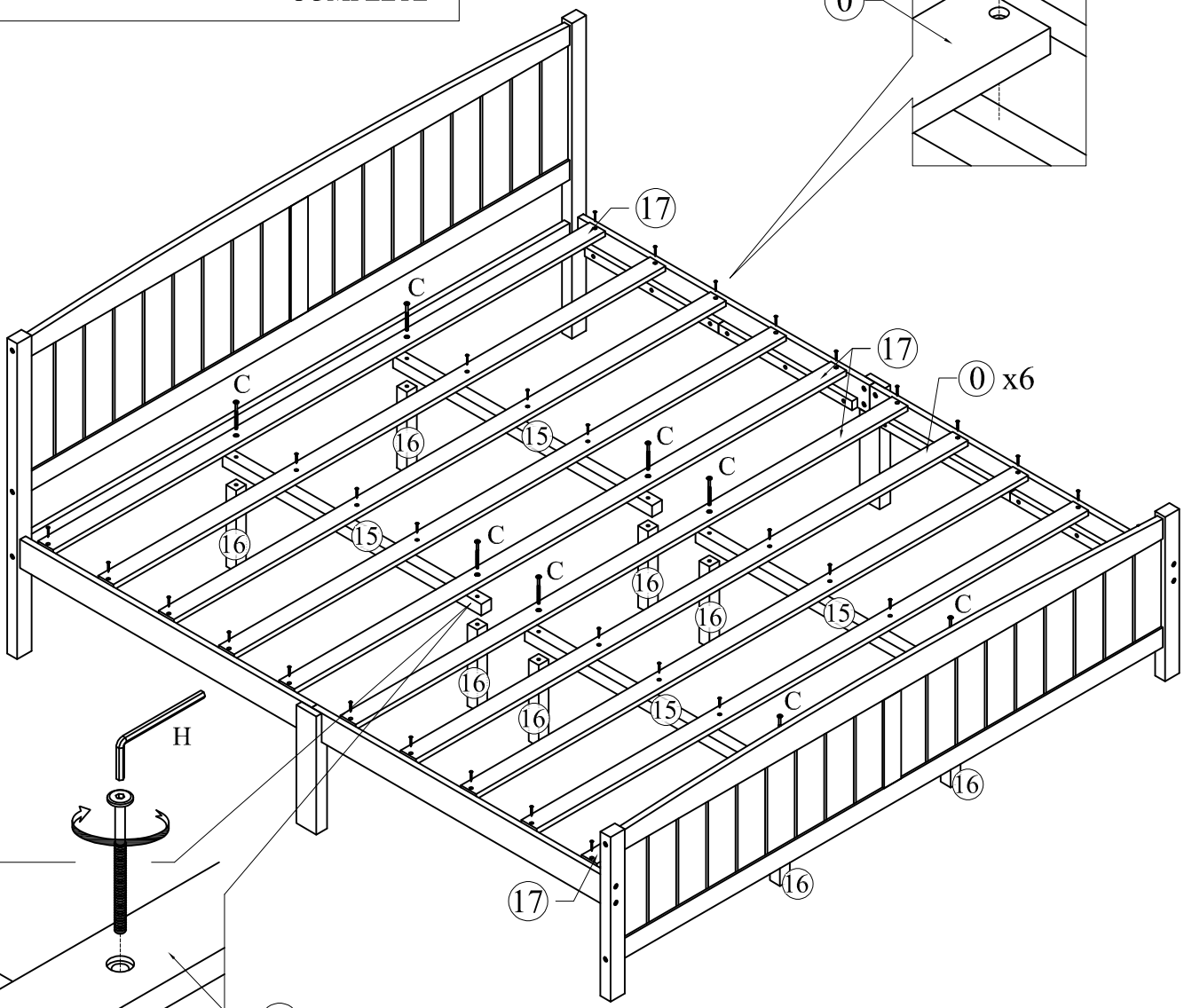
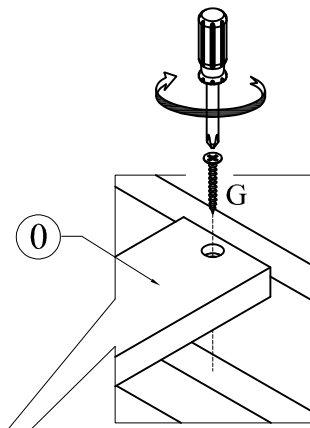
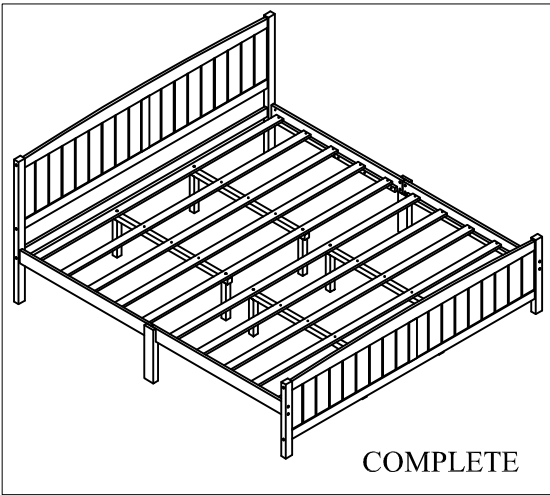


(A)		04
(D)		08
(F)		08



STEP 6

(C)		08
(G)		32



COMPLETE

