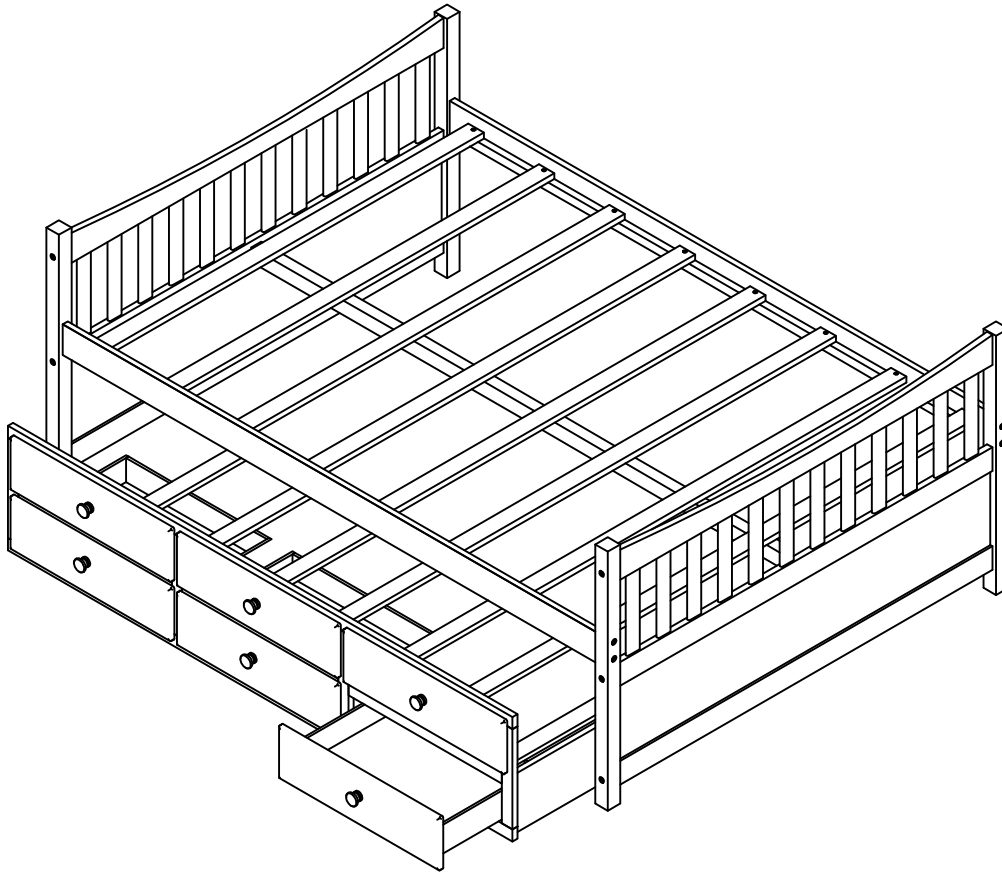


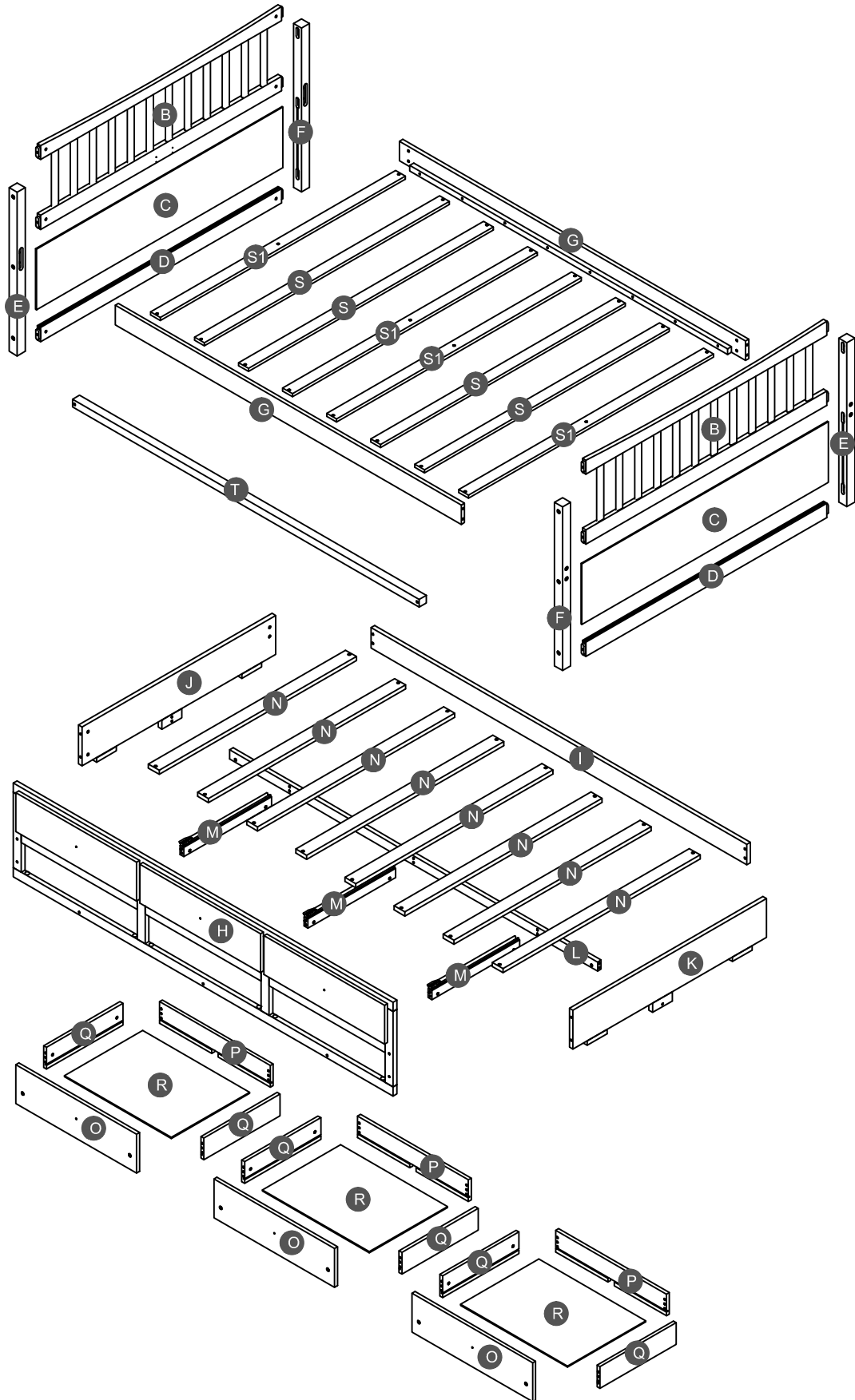
ASSEMBLY INSTRUCTIONS

FULL CAPTAIN BED









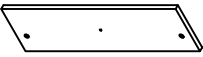


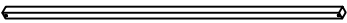
WF290940 / 290941

Detail View

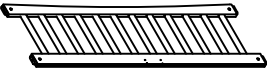



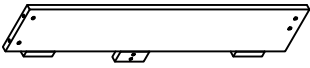
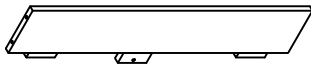

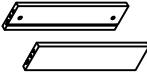

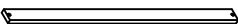


Part List

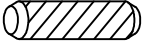
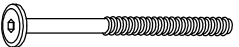
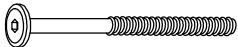
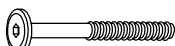


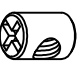


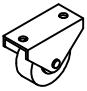



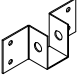
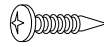
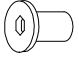
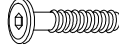
WF290940

<p>D</p>  <p>Horizontal bar - 2pcs</p>	<p>G</p>  <p>Side rail - 2pcs</p>	<p>H</p>  <p>Front panel of trundle - 1pc</p>
<p>I</p>  <p>Back panel side rail of trundle -1pc</p>	<p>L</p>  <p>Support rail of trundle -1pc</p>	<p>S</p>  <p>Slats - 4pcs</p>
<p>O</p>  <p>Front drawer panel - 3pcs</p>	<p>P</p>  <p>Back drawer panel - 3pcs</p>	<p>S1</p>  <p>Slats - 4pcs</p>
<p>T</p>  <p>Lower support slat - 1pc</p>		

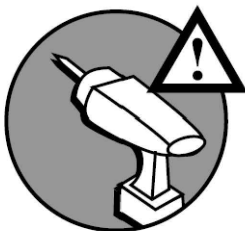
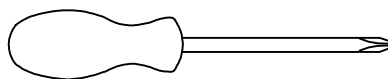
Hardware List WF290941

<p>B</p>  <p>HB & FB - 2pcs</p>	<p>C</p>  <p>Side panel - 2pcs</p>	<p>E</p>  <p>Leg HB & FB (Left) - 2pcs</p>
<p>F</p>  <p>Leg HB & FB (Right) - 2pcs</p>	<p>J</p>  <p>Left side panel of trundle -1pc</p>	<p>K</p>  <p>Right side panel of trundle -1pc</p>
<p>M</p>  <p>Support drawer -3pcs</p>	<p>Q</p>  <p>Left / right drawer panel - 6pcs</p>	<p>R</p>  <p>Drawer bottom - 3pcs</p>
<p>N</p>  <p>Slats - 8pcs</p>		

Hardware List WF290941

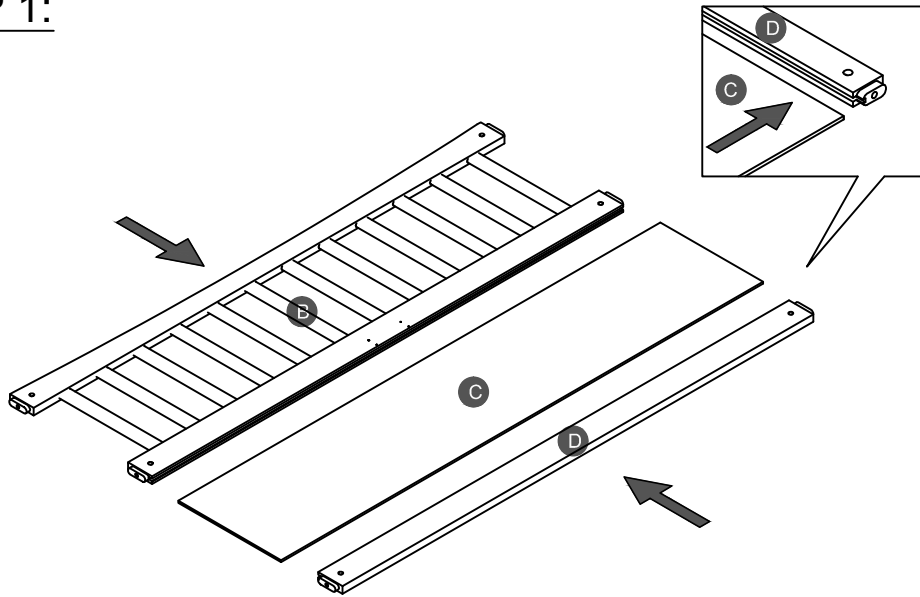
1  Ø8*30mm Wood dowel (26pcs)	2  (Ø15)1/4"*100mm Hex-Head bolts (8pcs)	3  (Ø15)1/4"*80mm Hex-Head bolts (12pcs)
4  (Ø12)1/4"*60mm Hex-Head bolts (28pcs)	5  Ø3.5*12mm Wood screws (9pcs)	6  Ø3.5*19mm Wood screws (8pcs)
7  1/4"*15 (9.5mm) Horizontal-Hole bolts(48pcs)	8  Ø38*31mm Pine Knob (6pcs)	9  3/16"*25mm Ph zinc(Knob) (6pcs)
10  45*20*35mm Caster (4pcs)	11  400*30mm Upper slider drawer (3pcs)	12  (1/4")4.5*58mm Allen key (1pc)
13  Ø4*30mm Wood screws (36pcs)	14  116*40*27mm Metal bracket (2pcs)	15  Ø3.5*15mm Wood screws (8pcs)
16  (Ø13)1/4"*14mm Connect bolt (2pcs)	17  (Ø12)1/4"*40mm Hex-Head bolts (2pcs)	

ASSEMBLY TOOLS REQUIRED (NOT INCLUDED)



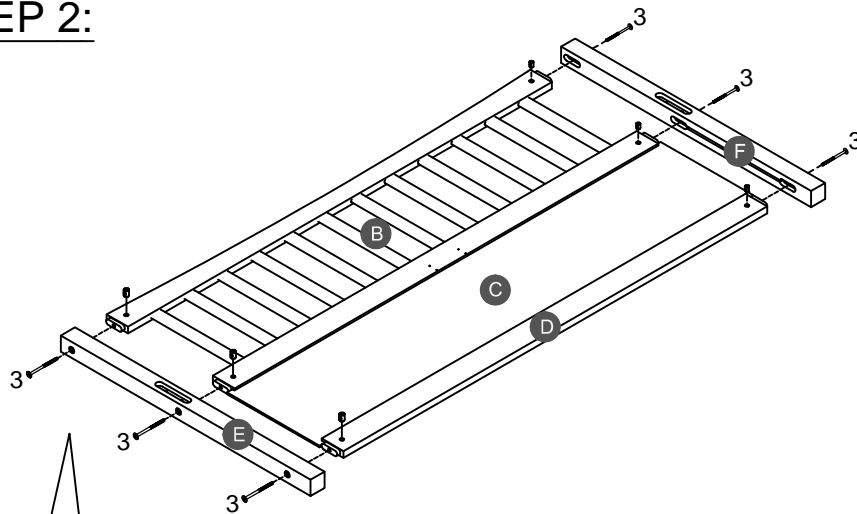
PLEASE BE CAREFUL DO NOT DAMAGE THE HOLE POSITION WHEN YOU USE POWER TOOLS !

STEP 1:

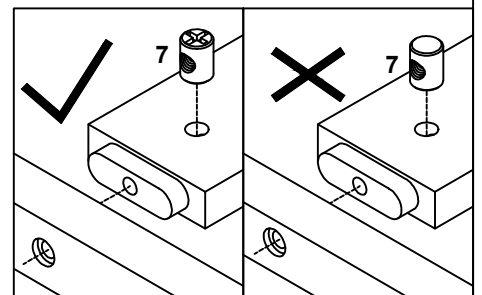
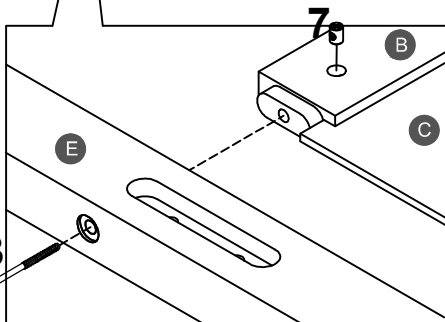


x 2

STEP 2:



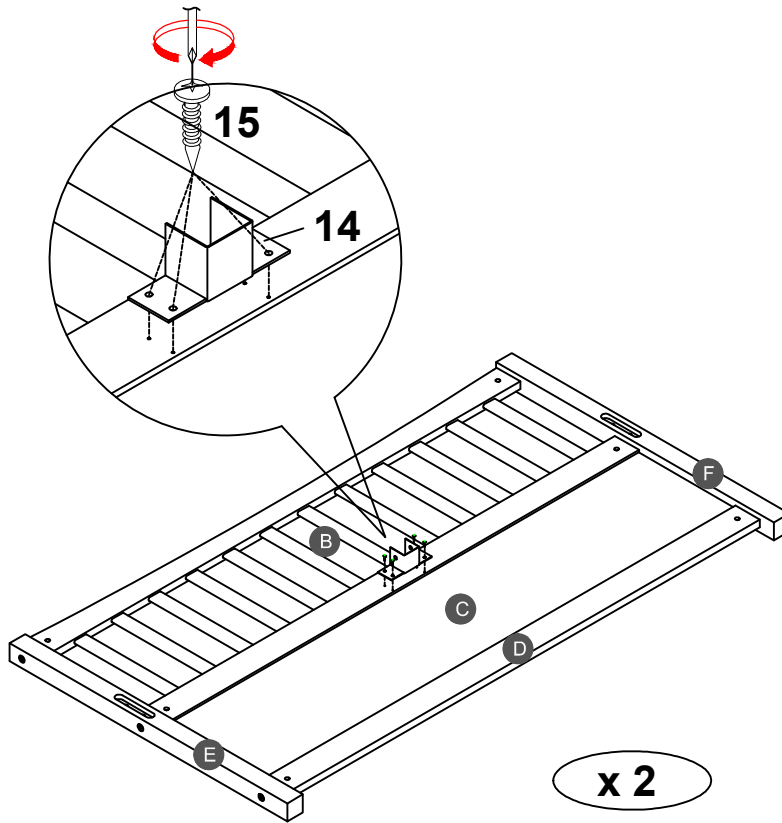
3		7	
12PCS		12PCS	

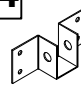



Note: Part 7 will face up with the "x" mark on it, otherwise it cannot be tightened

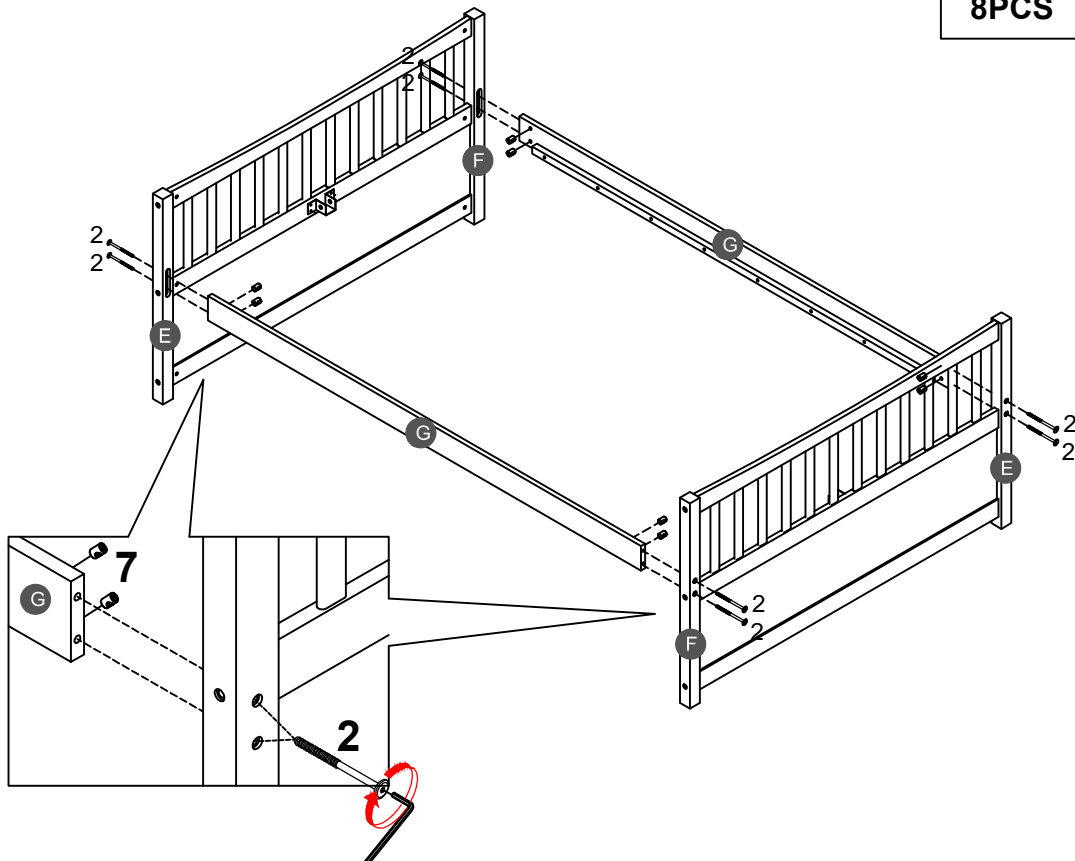
x 2



STEP 3:



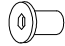
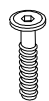
14 	15 
2PCS	8PCS

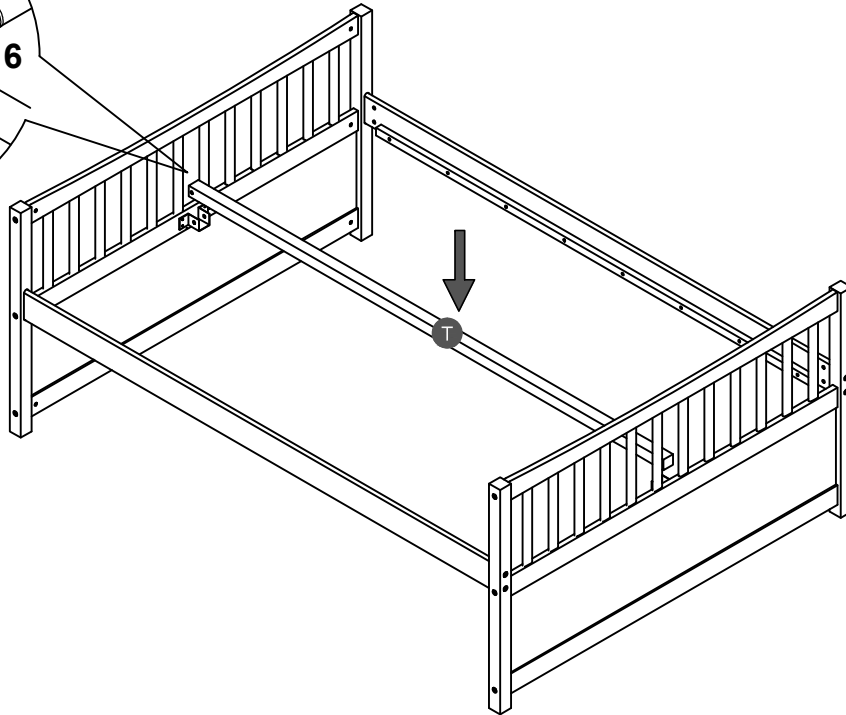
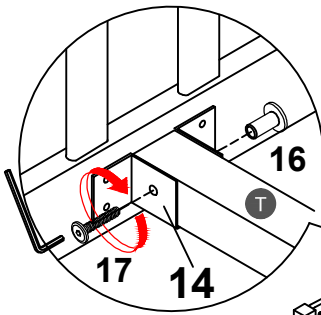
STEP 4:




2 	7 
8PCS	8PCS

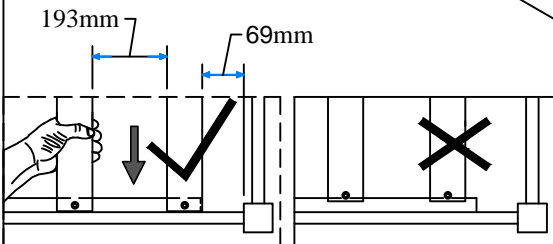
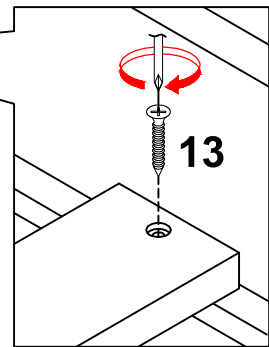
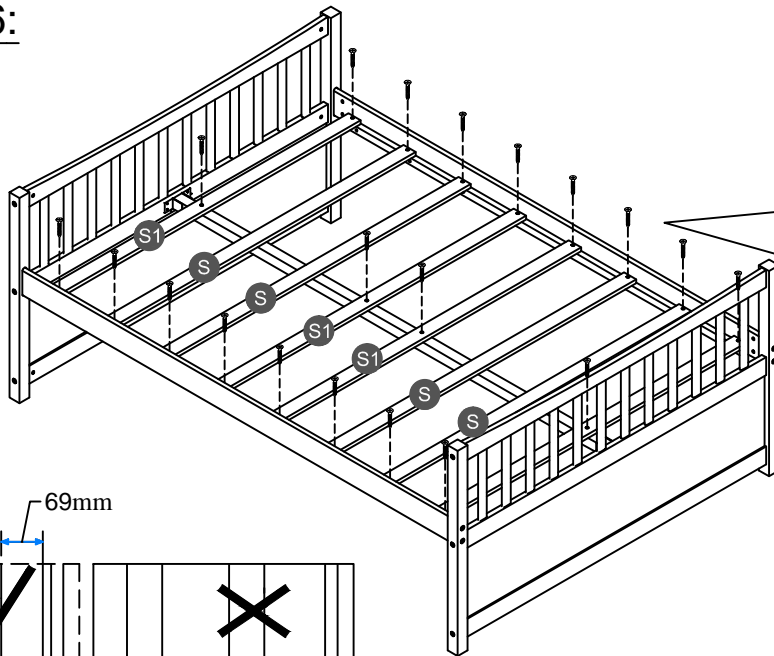
STEP 5:

16	17
	
2PCS	2PCS





STEP 6:

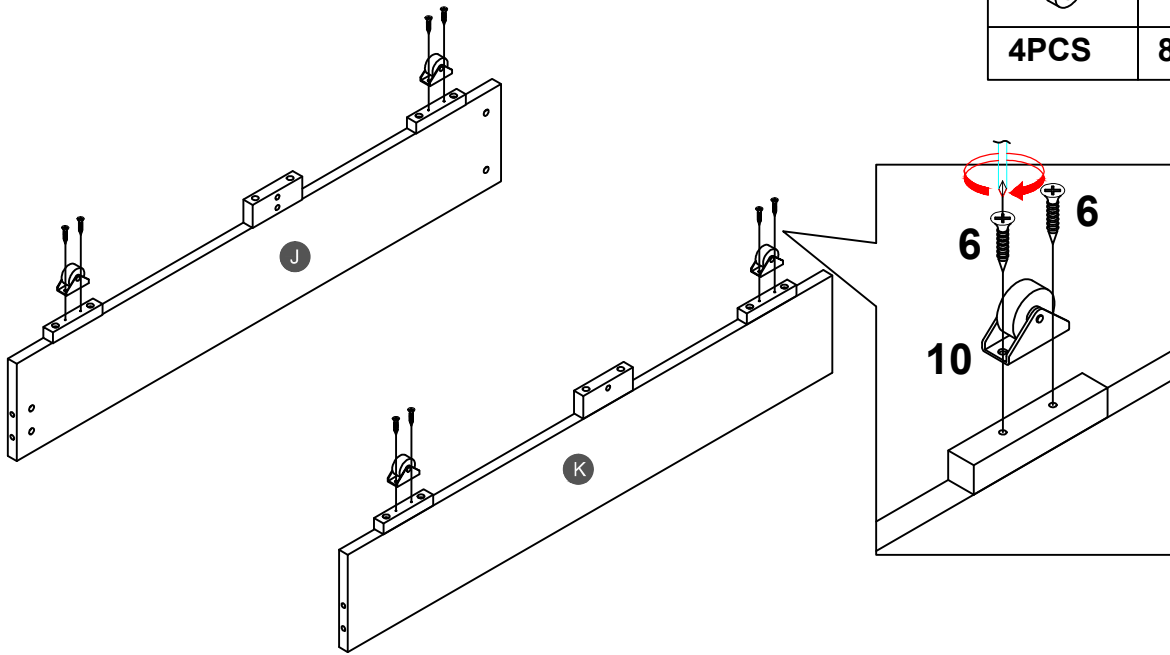
13

20PCS






Note: Do not lock the screws of the bed slats to the outermost edge of the bed slats, you need to leave a certain space at the edges, otherwise it will cause the board to break. Do not lock the bed slats on the edge of the wood, please hold firmly before screwing, hold it in place with one hand, then lock the screw.

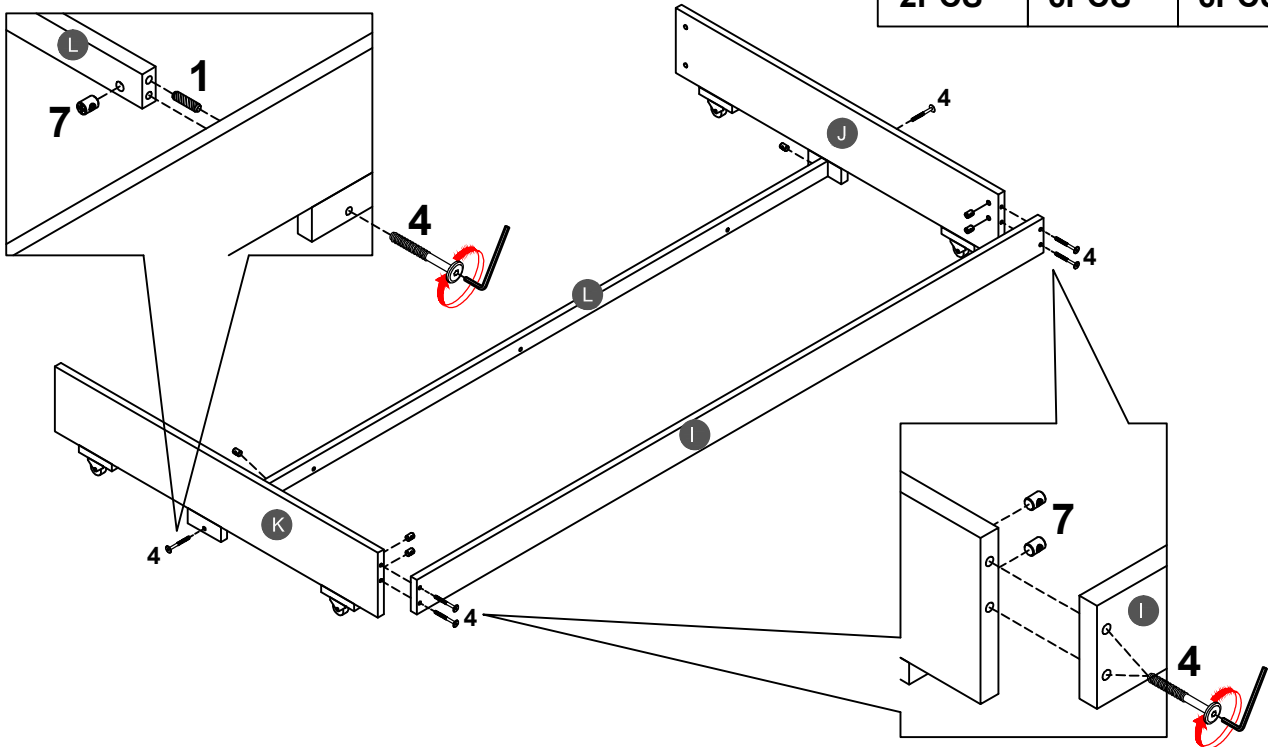
STEP 7:

10	6
	
4PCS	8PCS





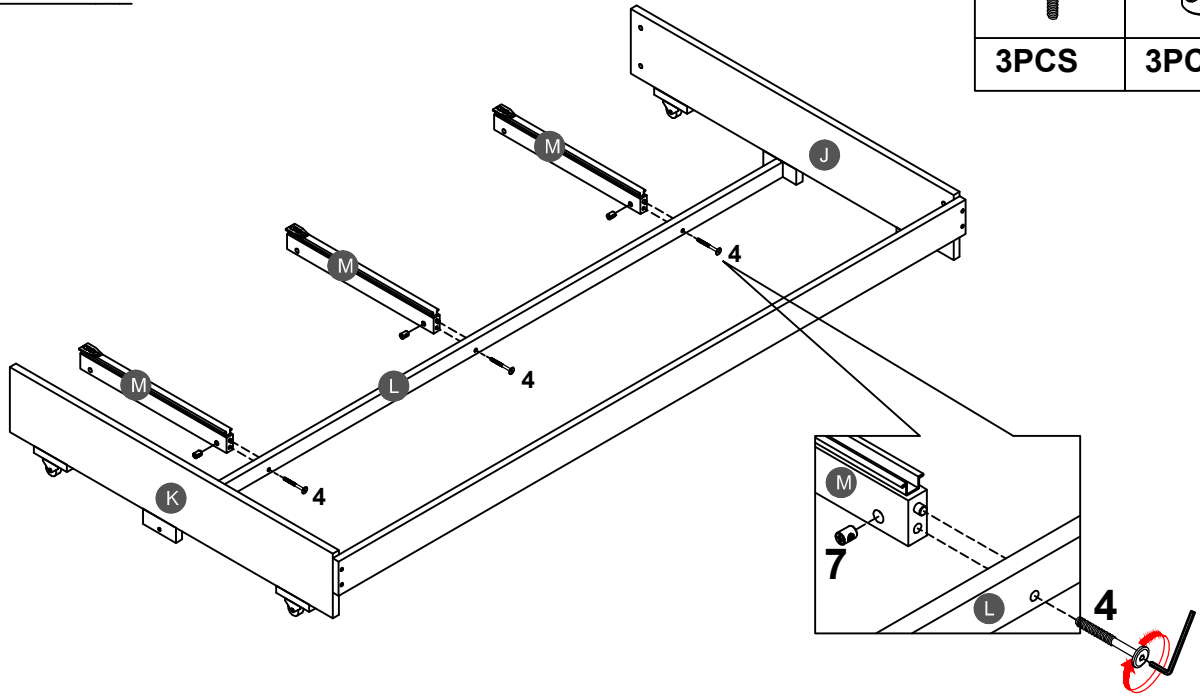
STEP 8:

1	4	7
		
2PCS	6PCS	6PCS





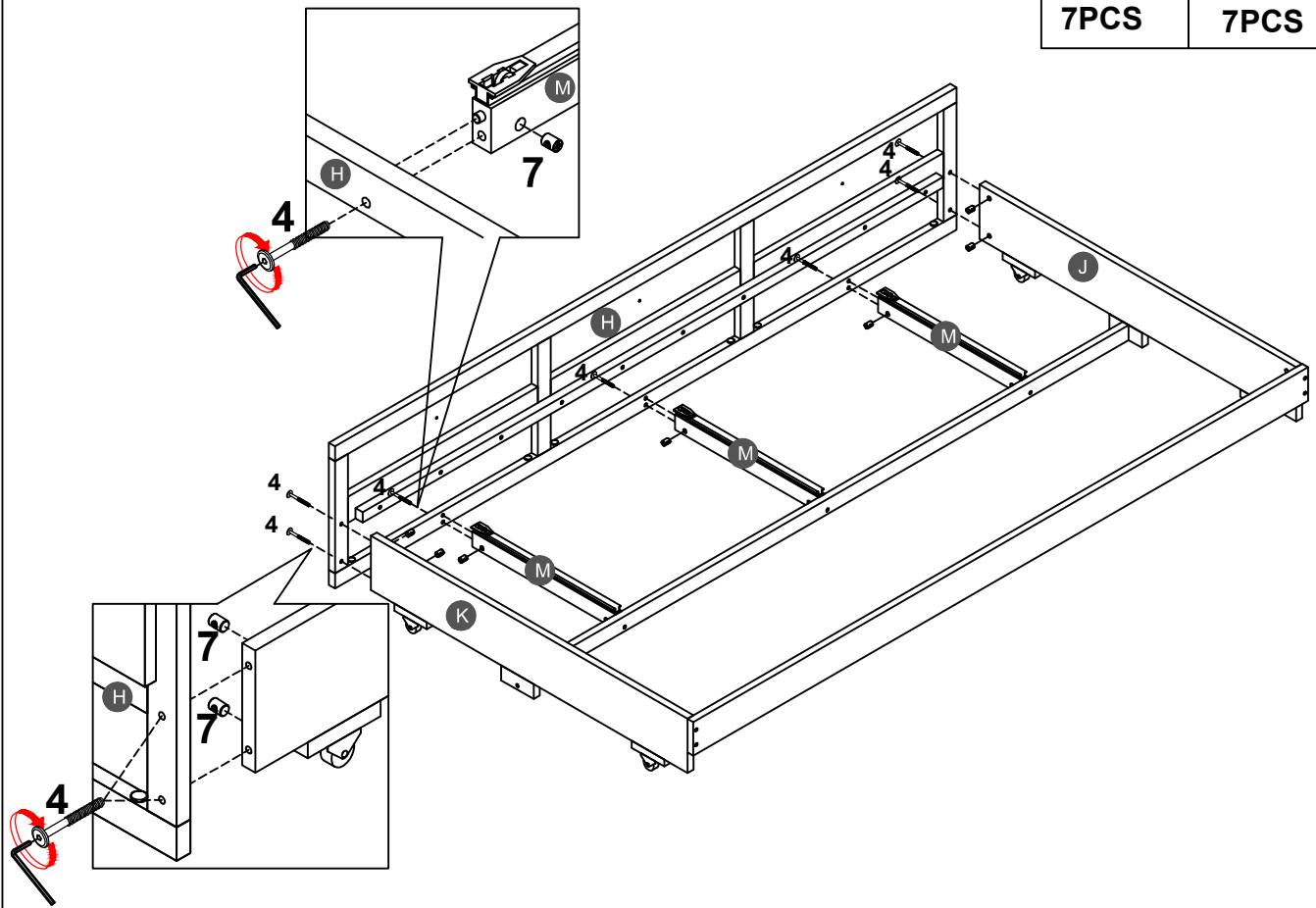
STEP 9:

4		7	
3PCS		3PCS	




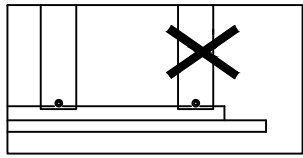
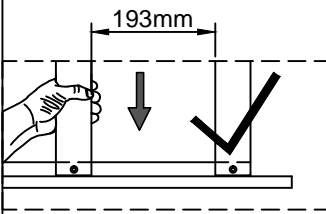
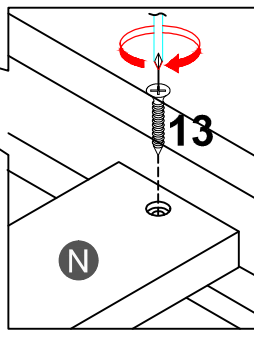
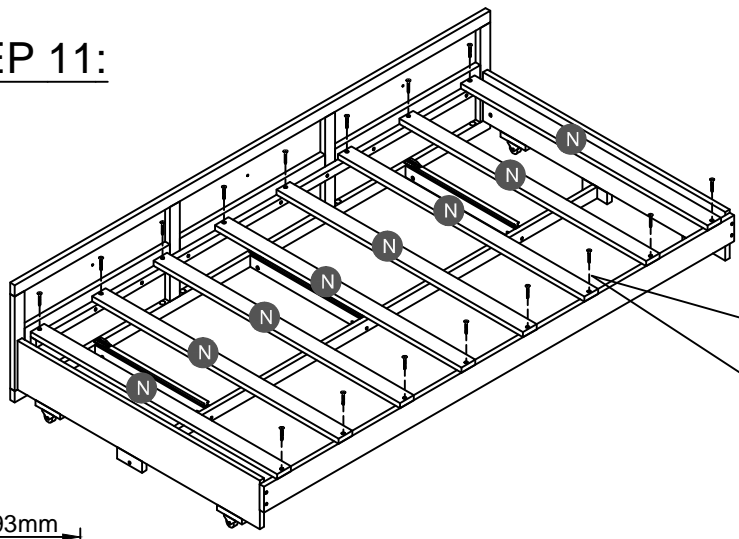
STEP 10:

4		7	
7PCS		7PCS	






STEP 11:

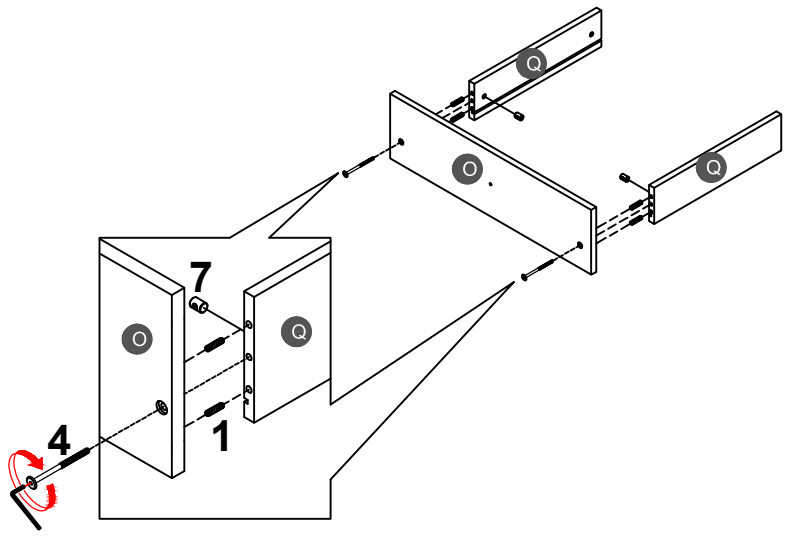
13	
16PCS	



Note: Do not lock the screws of the bed slats to the outermost edge of the bed slats, you need to leave a certain space at the edges, otherwise it will cause the board to break. Do not lock the bed slats on the edge of the wood, please hold firmly before screwing, hold it in place with one hand, then lock the screw.




STEP 12:

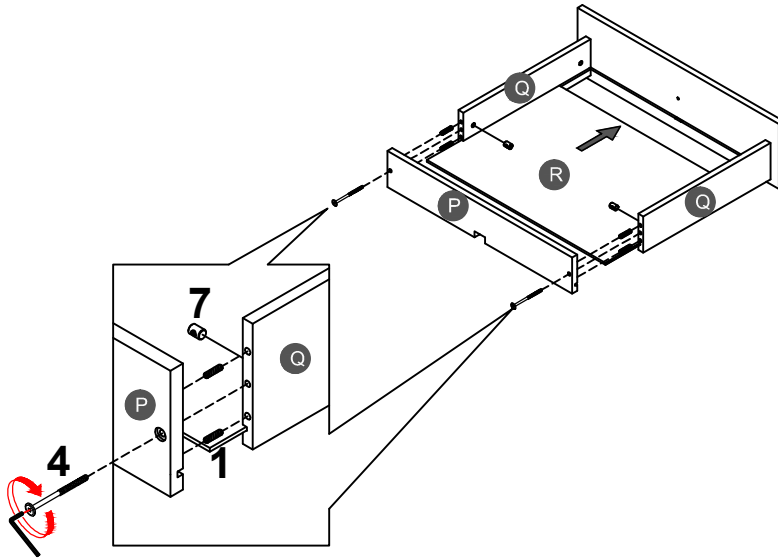
1		4		7	
12PCS		6PCS		6PCS	



x 3



STEP 13:

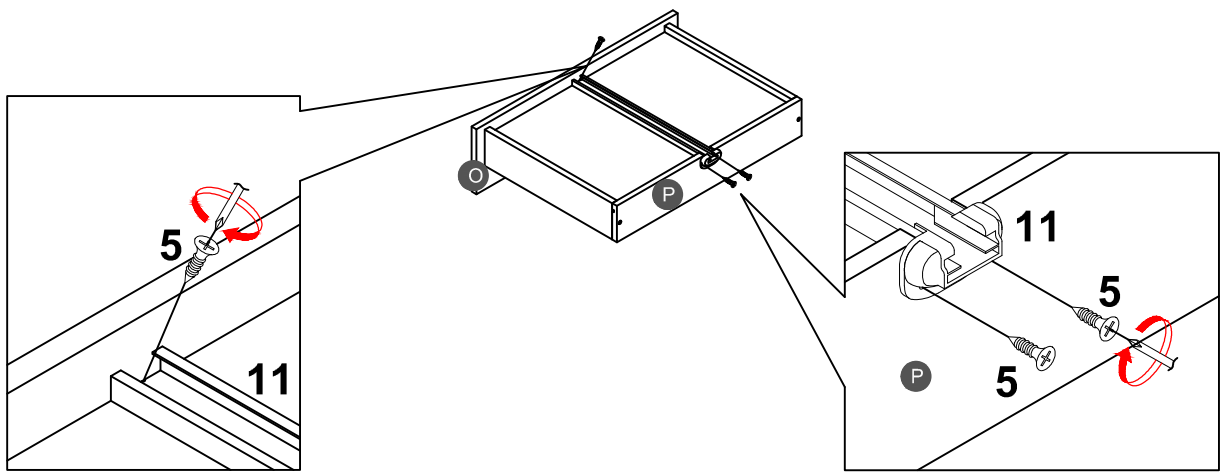
1		4		7	
12PCS		6PCS		6PCS	



x 3

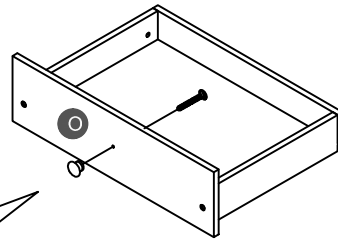
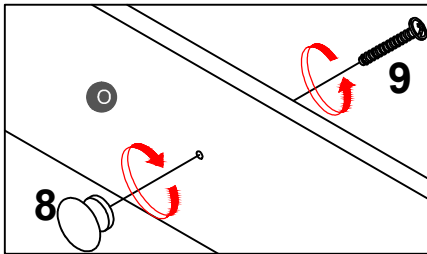
STEP 14:

11		5	
3PCS		9PCS	



x 3

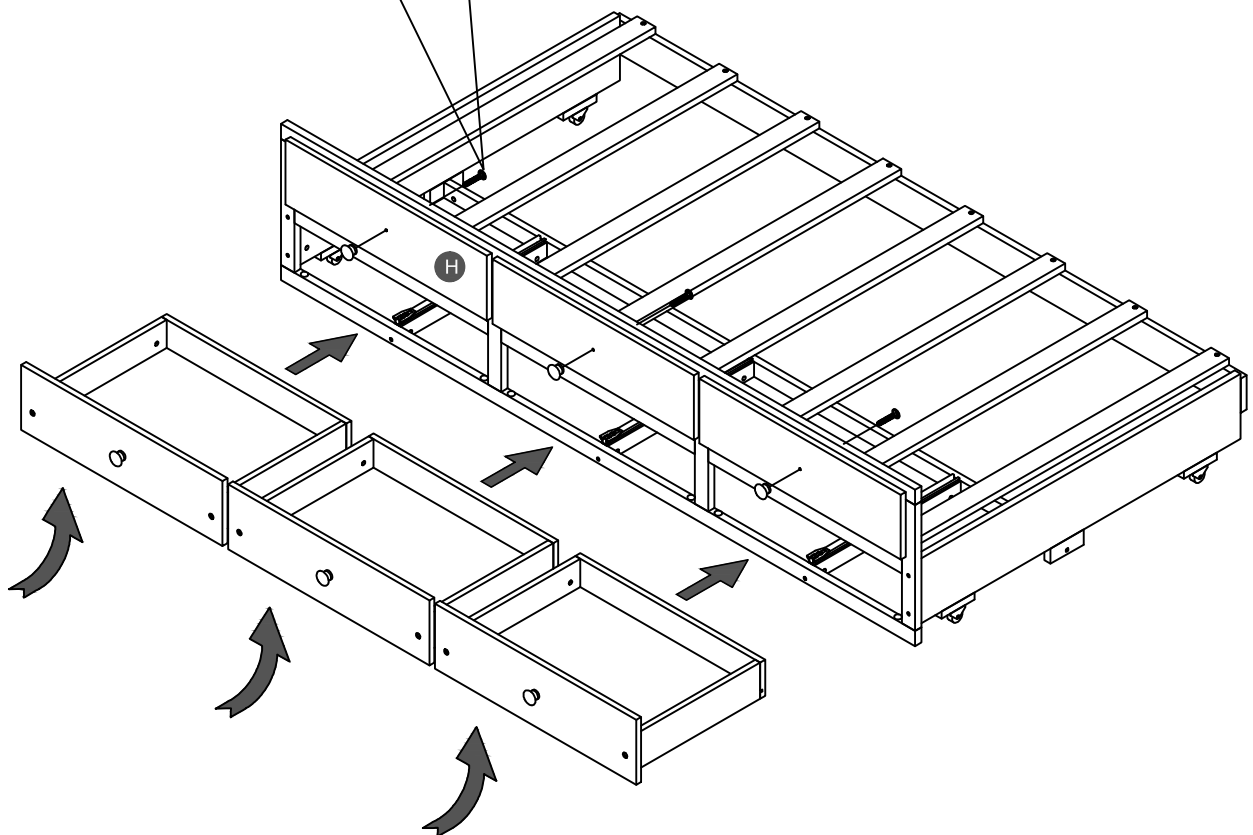
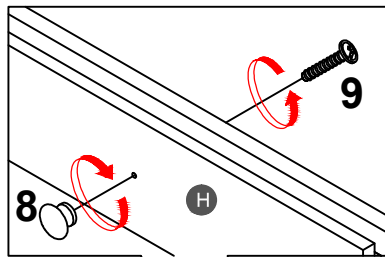
STEP 15:



x 3

8	9
3PCS	3PCS

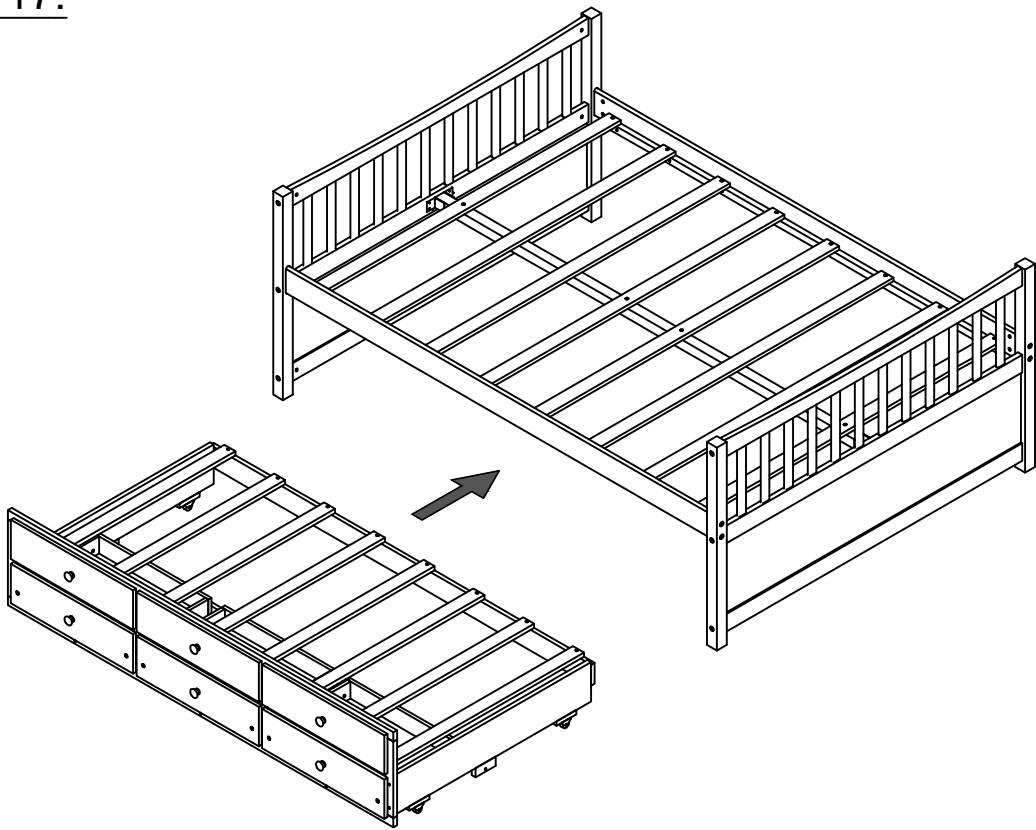
STEP 16:



8	9
3PCS	3PCS

Remark: When opening or closing the drawer, Please lift the drawer slightly before opening or closing it.

STEP 17:



Push Trundle under the bottom of Twin bed.

