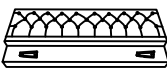
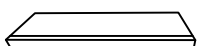
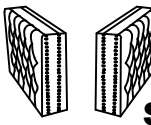






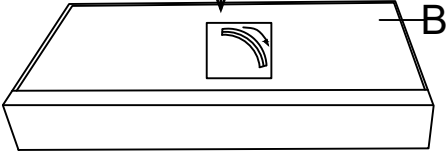
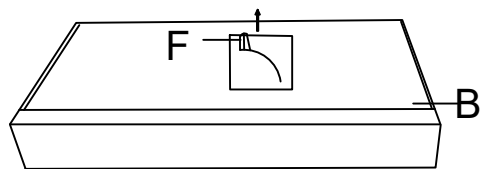
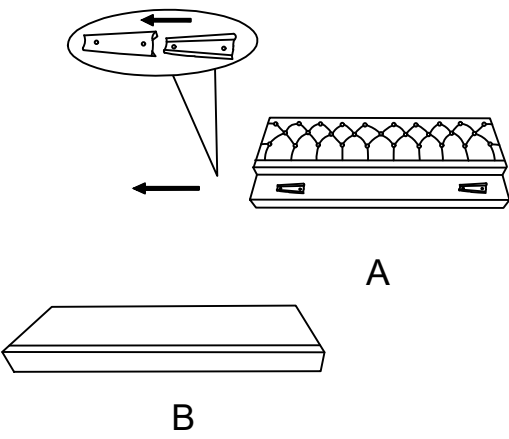
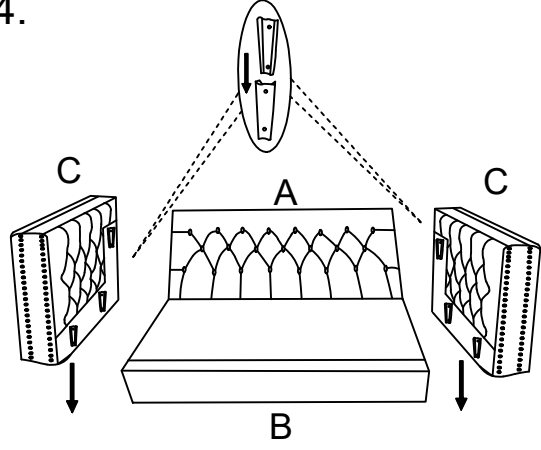
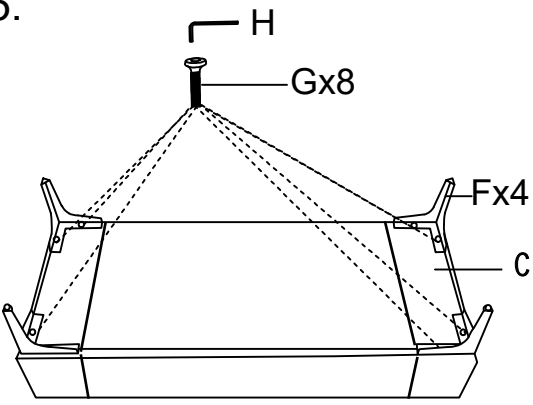
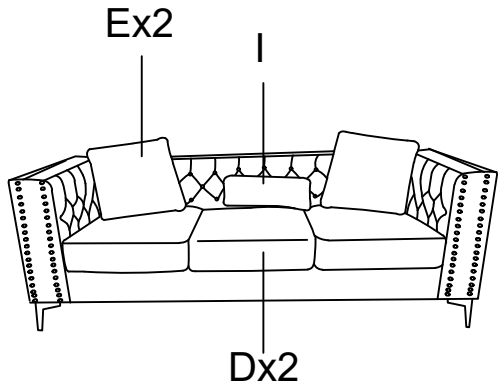


Assembly Instructions

(3 cartons S1,S2,S3)

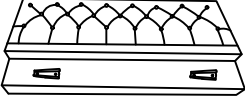
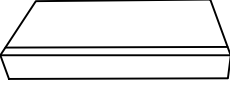
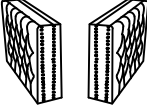

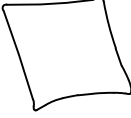



Ax1  S3	Bx1  S3	Cx1(LxR)  S1	Dx2  S2	Ex2  S2
Fx4  S3	Gx4  S3	Hx1  S3	Ix1  S2	

Note: Put all the screws into the hole site, and then tighten them.
Do not tighten one by one.

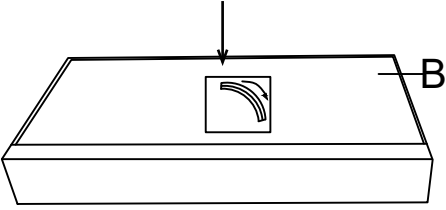
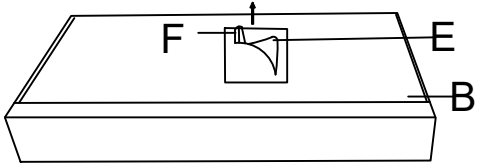
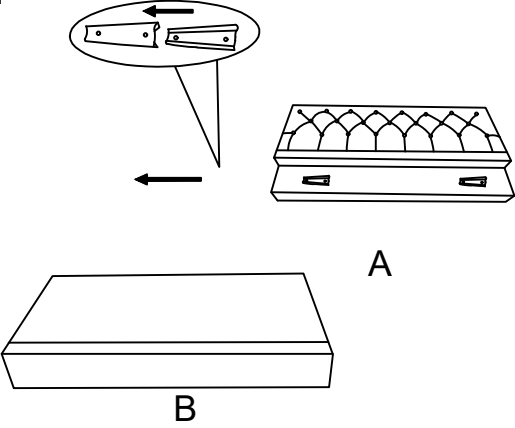
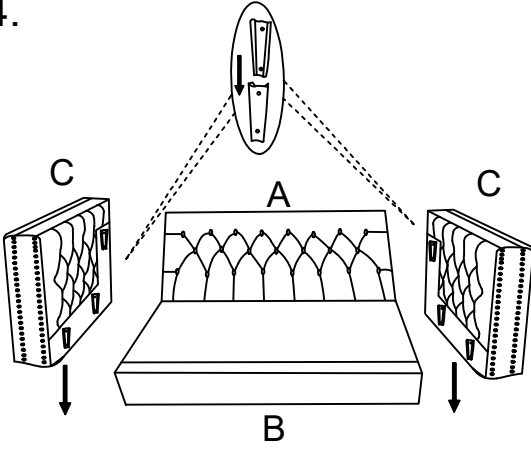
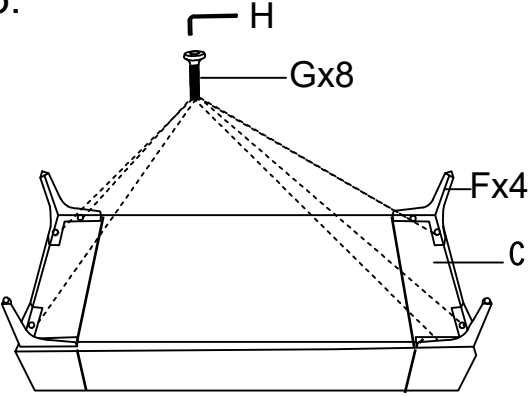
<p>1. Parts inside open here</p> 	<p>2.</p> 
<p>3.</p> 	<p>4.</p> 
<p>5.</p> 	<p>6.</p> 

Assembly Instructions

(2 cartons L1,L2)

Ax1  C2	Bx1  C2	Cx1(LxR)  C1	Dx2  C2
Ex2  C2	Fx4  C2	Gx4  C2	Hx1  C2

Note: Put all the screws into the hole site, and then tighten them. Do not tighten one by one.

<p>1. Parts inside open here</p> 	<p>2.</p> 
<p>3.</p> 	<p>4.</p> 
<p>5.</p> 	<p>6.</p> 