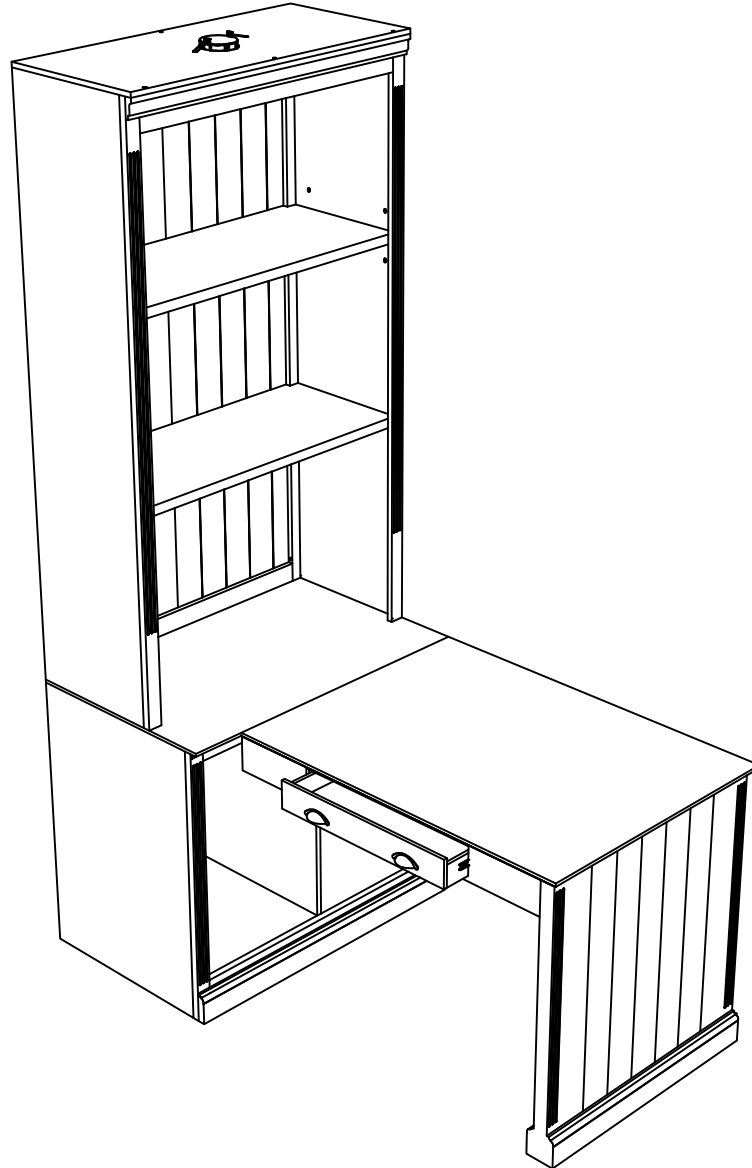
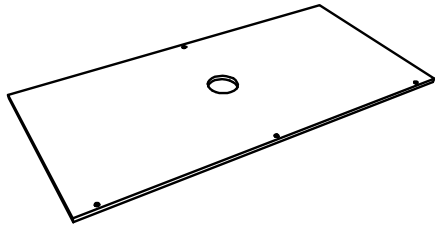


ASSEMBLY INSTRUCTION



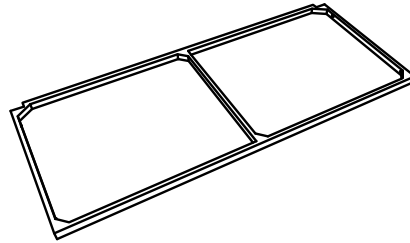
PARTS LIST

(A)



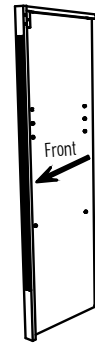
Quantity:
1 pc

(B)



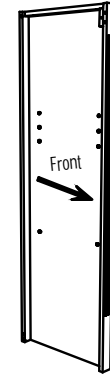
Quantity:
2 pcs

(CL)



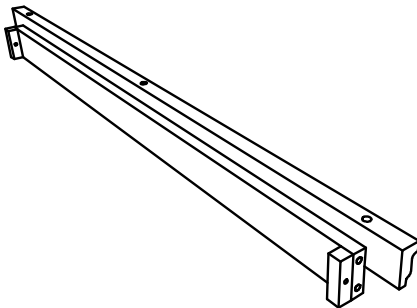
Quantity:
1 pc

(CR)



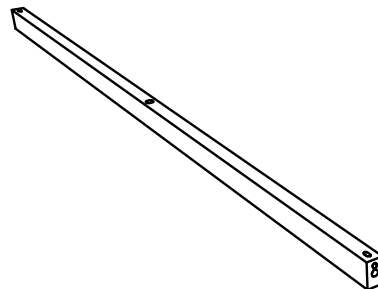
Quantity:
1 pc

(D)



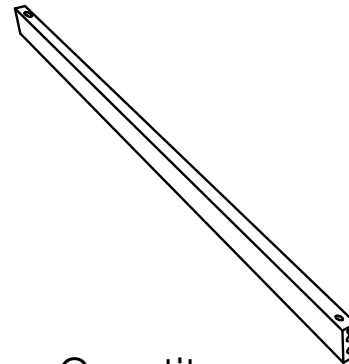
Quantity:
1 pc

(E)



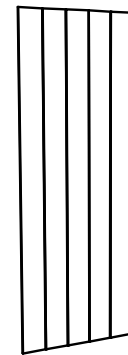
Quantity:
1 pc

(F)



Quantity:
1 pc

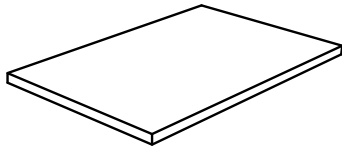
(G)



Quantity:
2 pcs

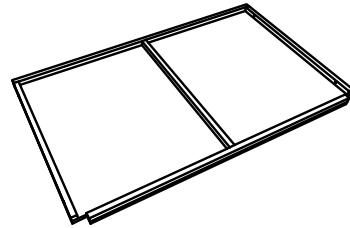
PARTS LIST

Ⓜ



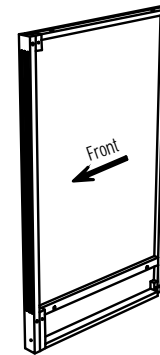
Quantity:
1 pc

Ⓜ



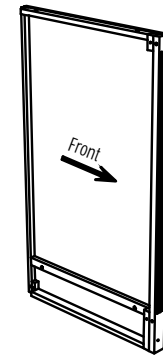
Quantity:
1 pc

Ⓜ



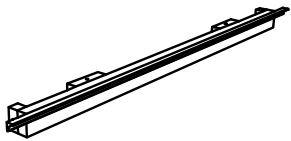
Quantity:
1 pc

Ⓜ



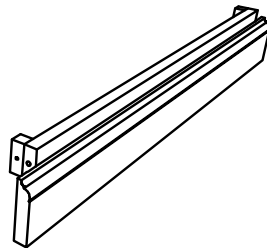
Quantity:
1 pc

Ⓜ



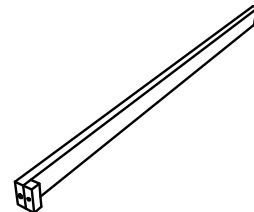
Quantity:
1 pc

Ⓜ



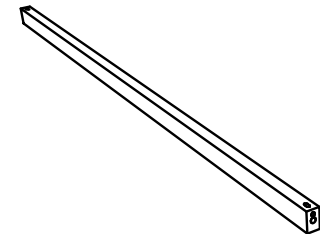
Quantity:
1 pc

Ⓜ



Quantity:
1 pc

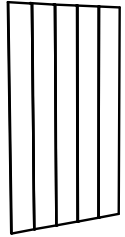
Ⓜ



Quantity:
1 pc

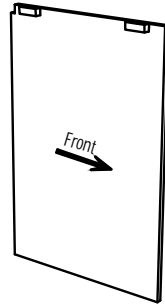
PARTS LIST

0



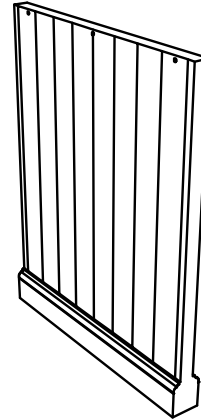
Quantity:
2 pcs

P



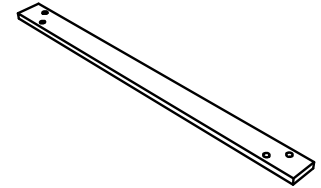
Quantity:
1 pc

Q

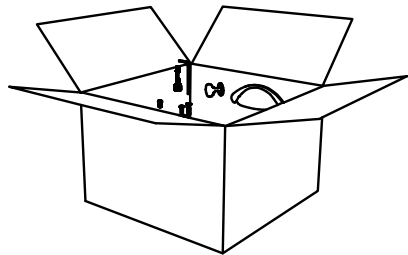


Quantity:
1 pc

R



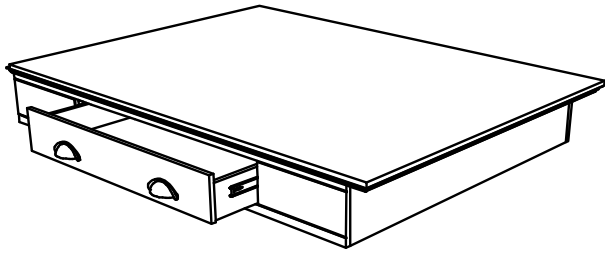
Quantity:
1 pc



HARDWARE


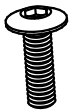

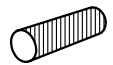


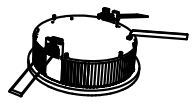
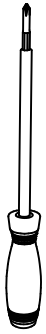
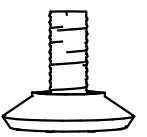


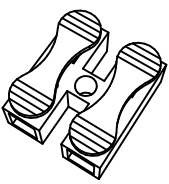
PARTS LIST

S

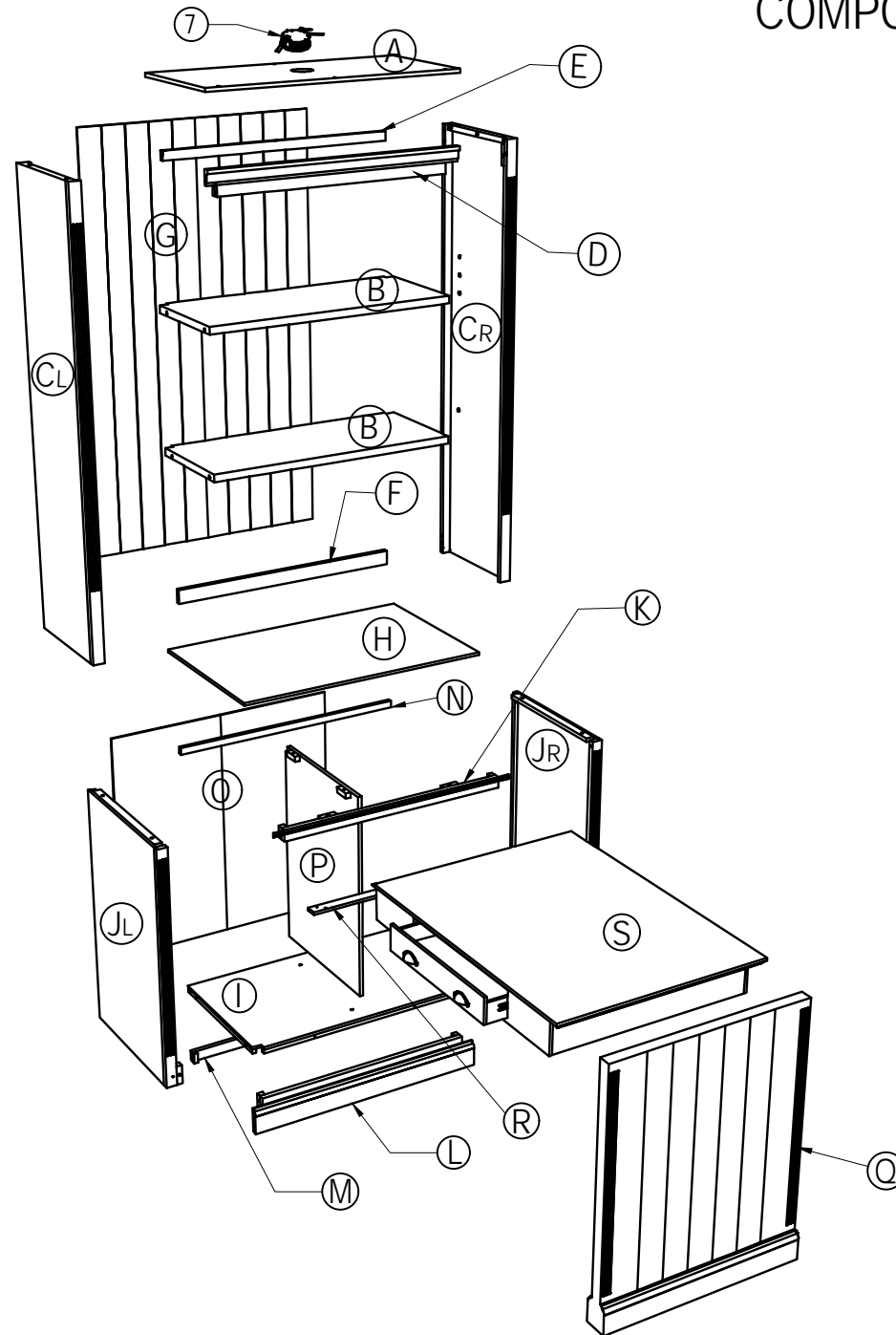


Quantity:
1 pc

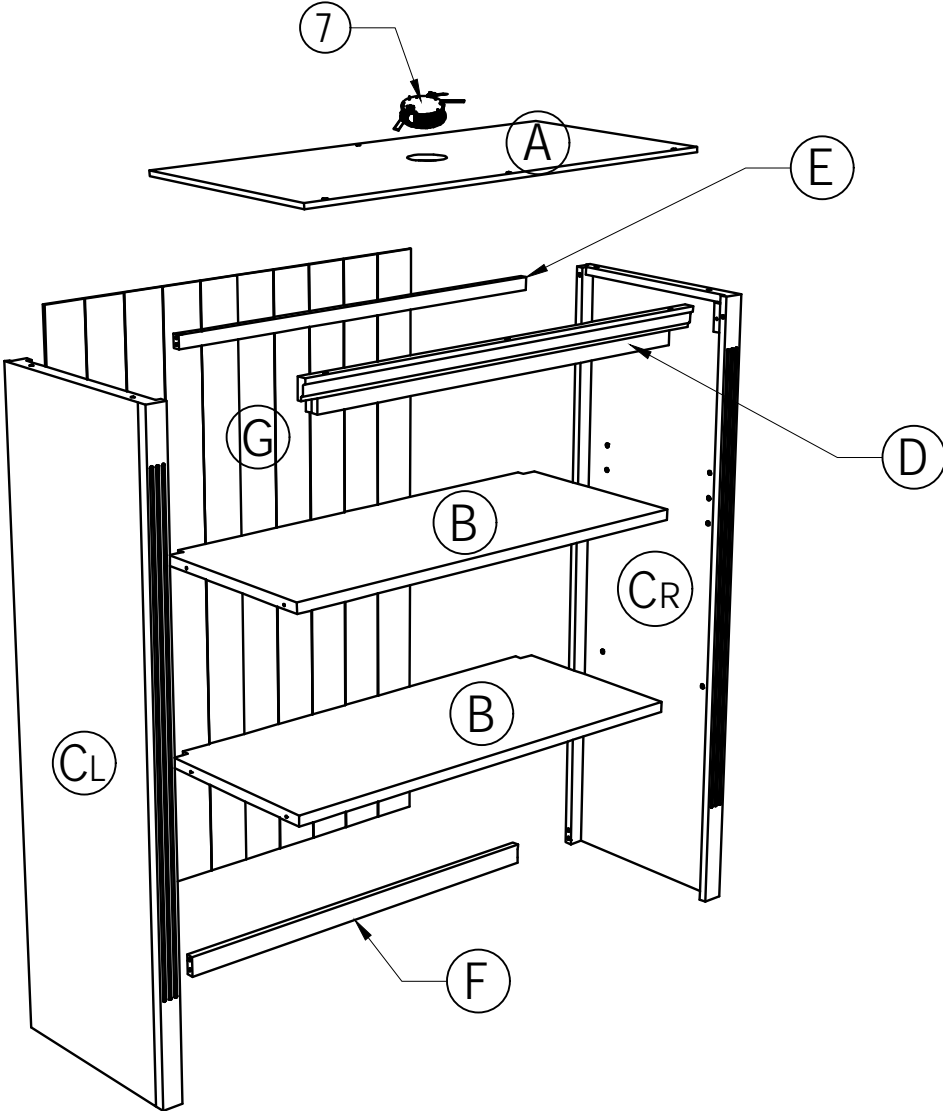
HARDWARE LIST

<p>①</p>  <p>Allen key Quantity: 1 pc</p>	<p>②</p>  <p>6x30mm Quantity: 49 pcs + extra 3pcs</p>	<p>③</p>  <p>6x16mm Quantity: 39 pcs + extra 3pcs</p>	<p>④</p>  <p>8x30mm Quantity: 16 pcs + extra 2pcs</p>	<p>⑤</p>  <p>4x30mm Quantity: 6 pcs + extra 1pc</p>	<p>⑥</p>  <p>3x15mm Quantity: 46 pcs + extra 3pcs</p>	<p>⑦</p>  <p>Led light Quantity: 1 pc</p>	<p>⑧</p>  <p>Screwdrivers Quantity: 1 pc</p>	<p>⑨</p>  <p>15x20mm Quantity: 6 pcs</p>
<p>⑩</p>  <p>20x80mm Quantity: 2 pcs</p>	<p>⑪</p>  <p>4x20mm Quantity: 4 pcs</p>	<p>⑫</p>  <p>Quantity: 1 pc</p>						

COMPONENTS - KEY DIAGRAM



COMPONENTS - KEY DIAGRAM



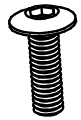
STEP 1

1



1 pc

2



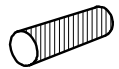
6x30mm
1 pc

3



6x16mm
1 pc

4



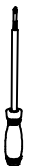
8x30mm
4 pcs

5

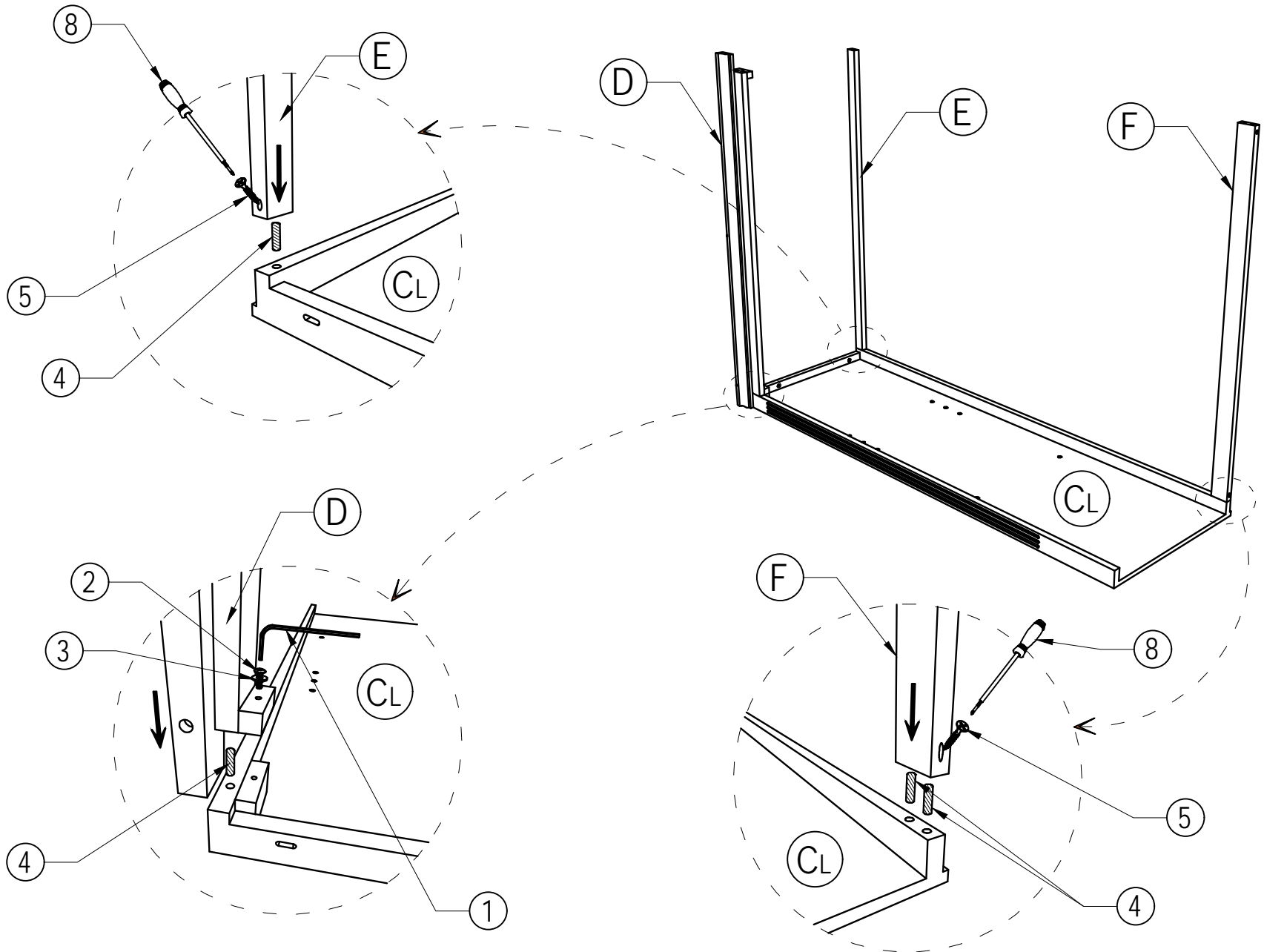


4x30mm
2 pcs

8



1 pc



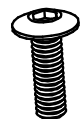
STEP 2

1



1 pc

2

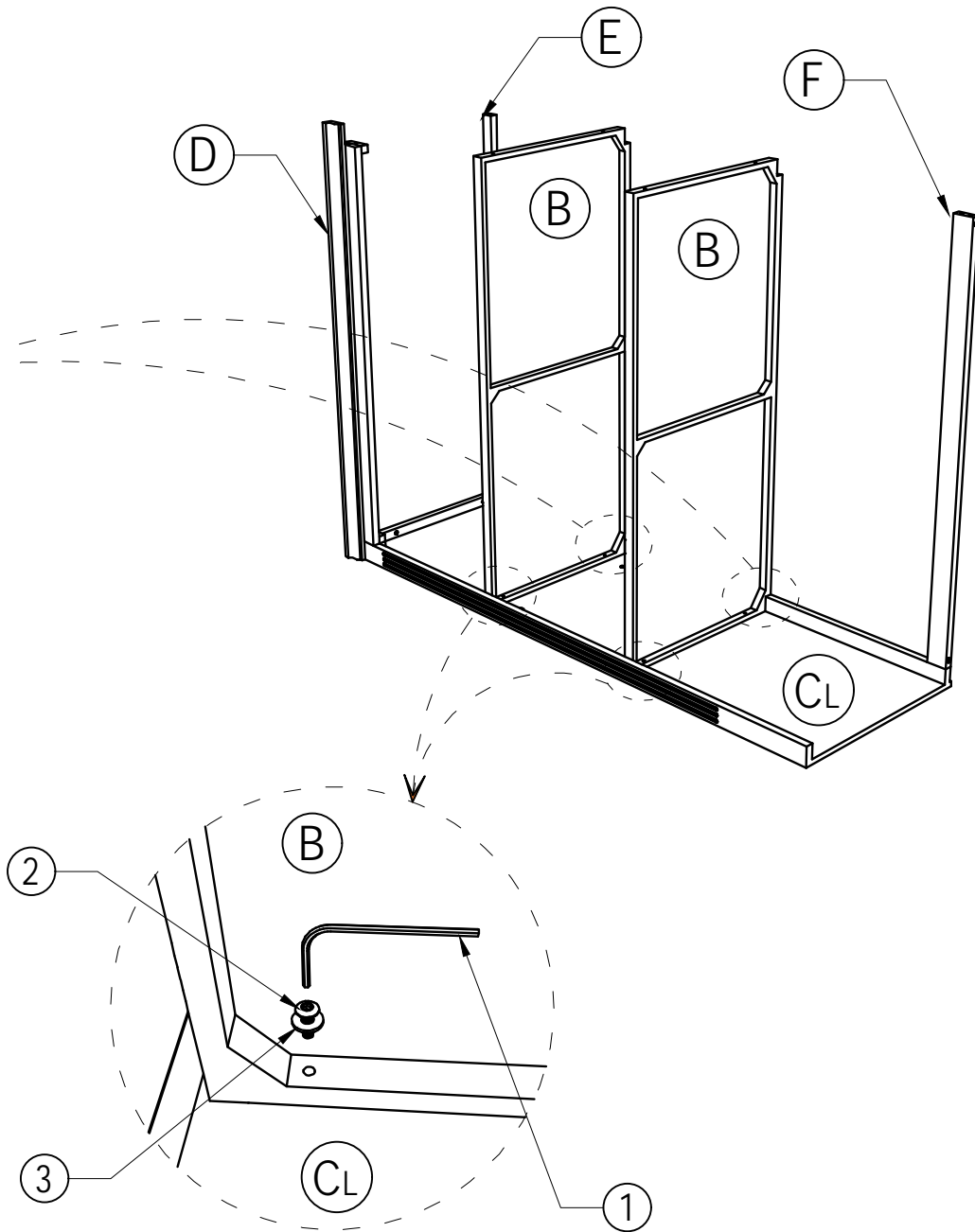
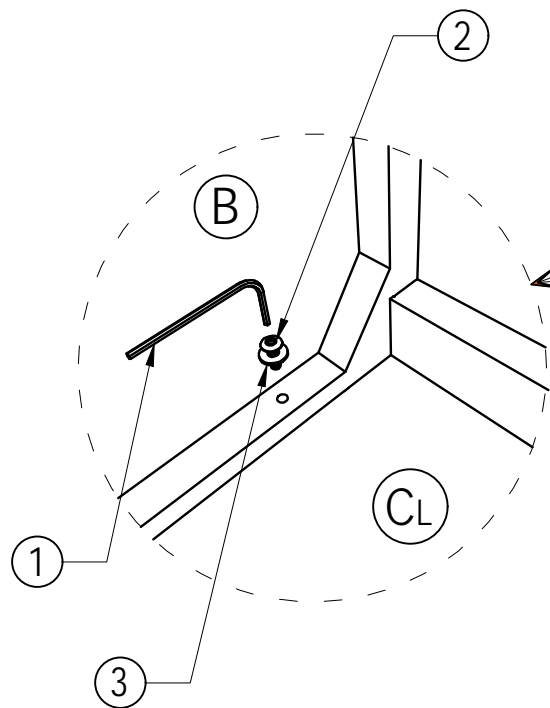


6x30mm
4 pcs

3



6x16mm
4 pcs



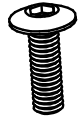
STEP 3

1



1 pc

2



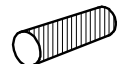
6x30mm
5 pcs

3



6x16mm
5 pcs

4



8x30mm
4 pcs

5

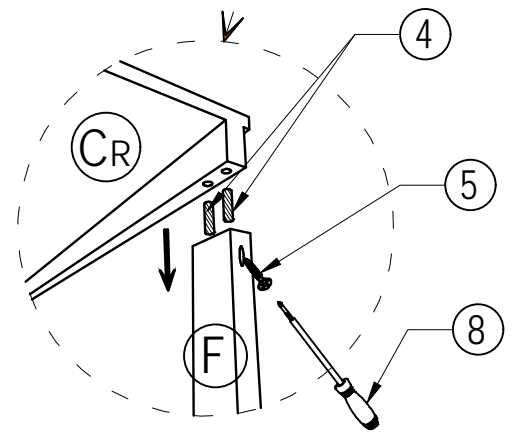
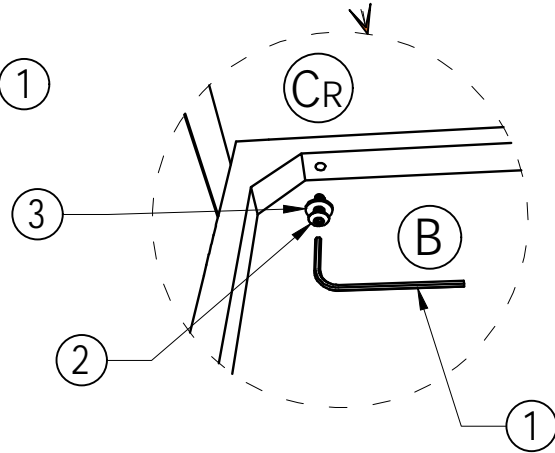
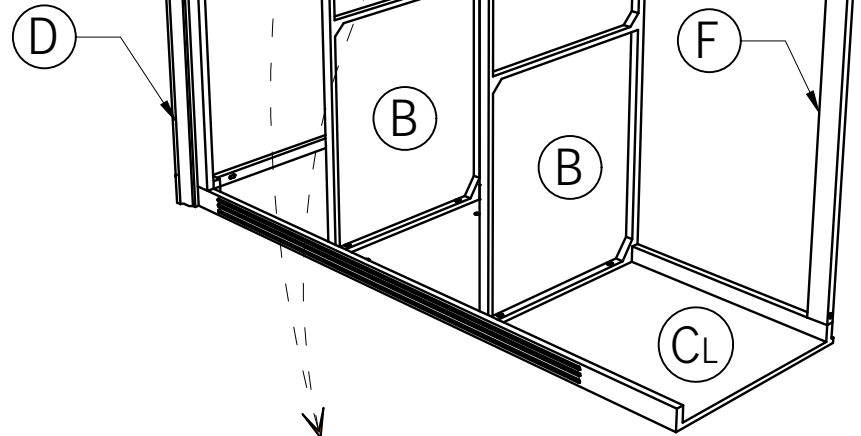
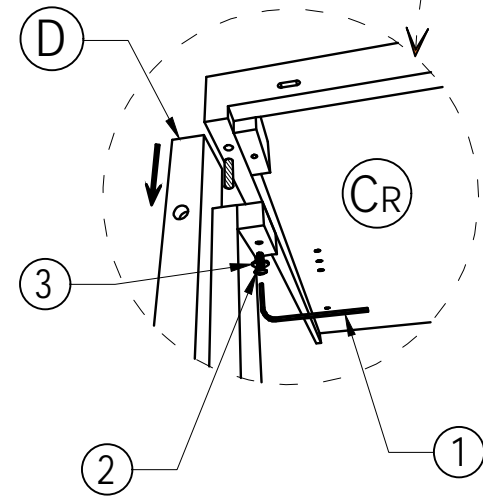
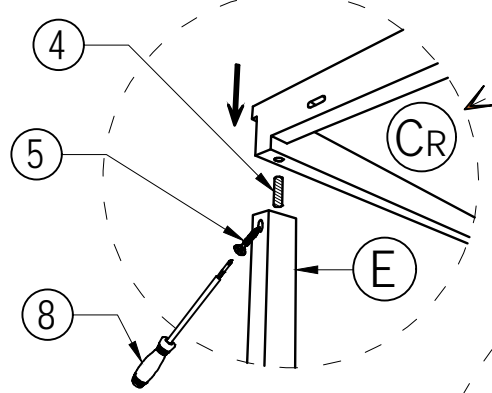


4x30mm
2 pcs

8



1 pc



STEP 4

1

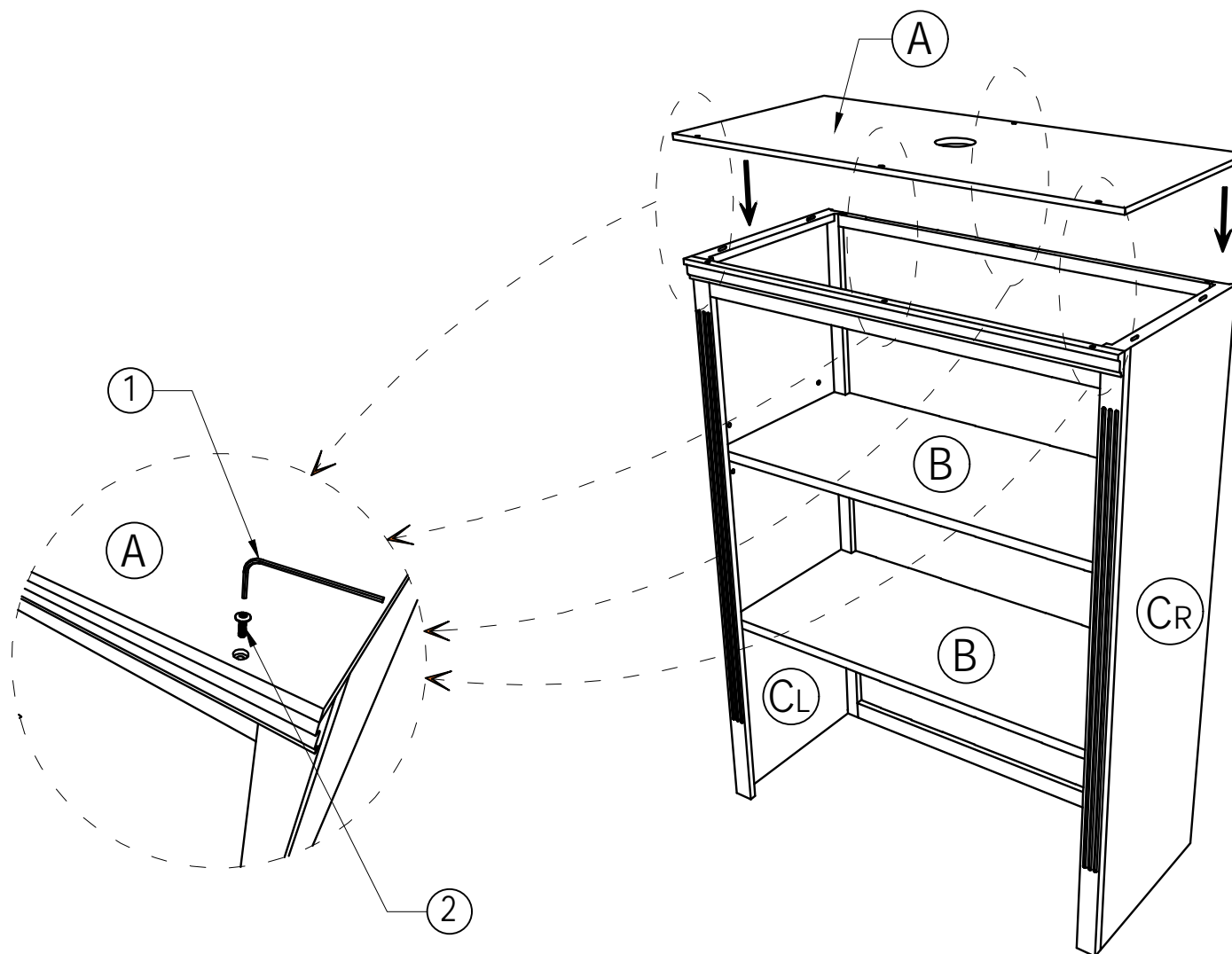


1 pc

2



6x30mm
4 pcs



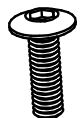
STEP 5

①



1 pc

②



6x30mm

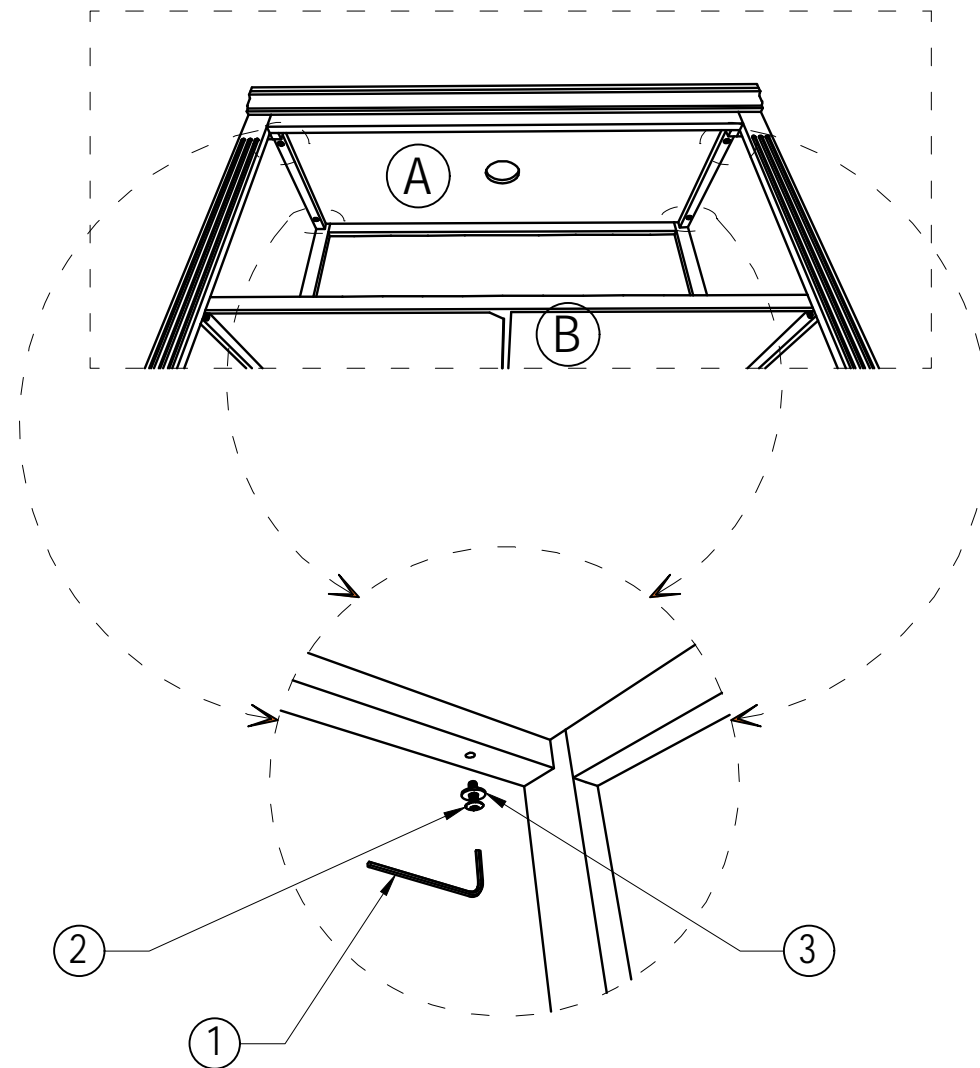
4 pcs

③



6x16mm

4 pcs



STEP 6

6

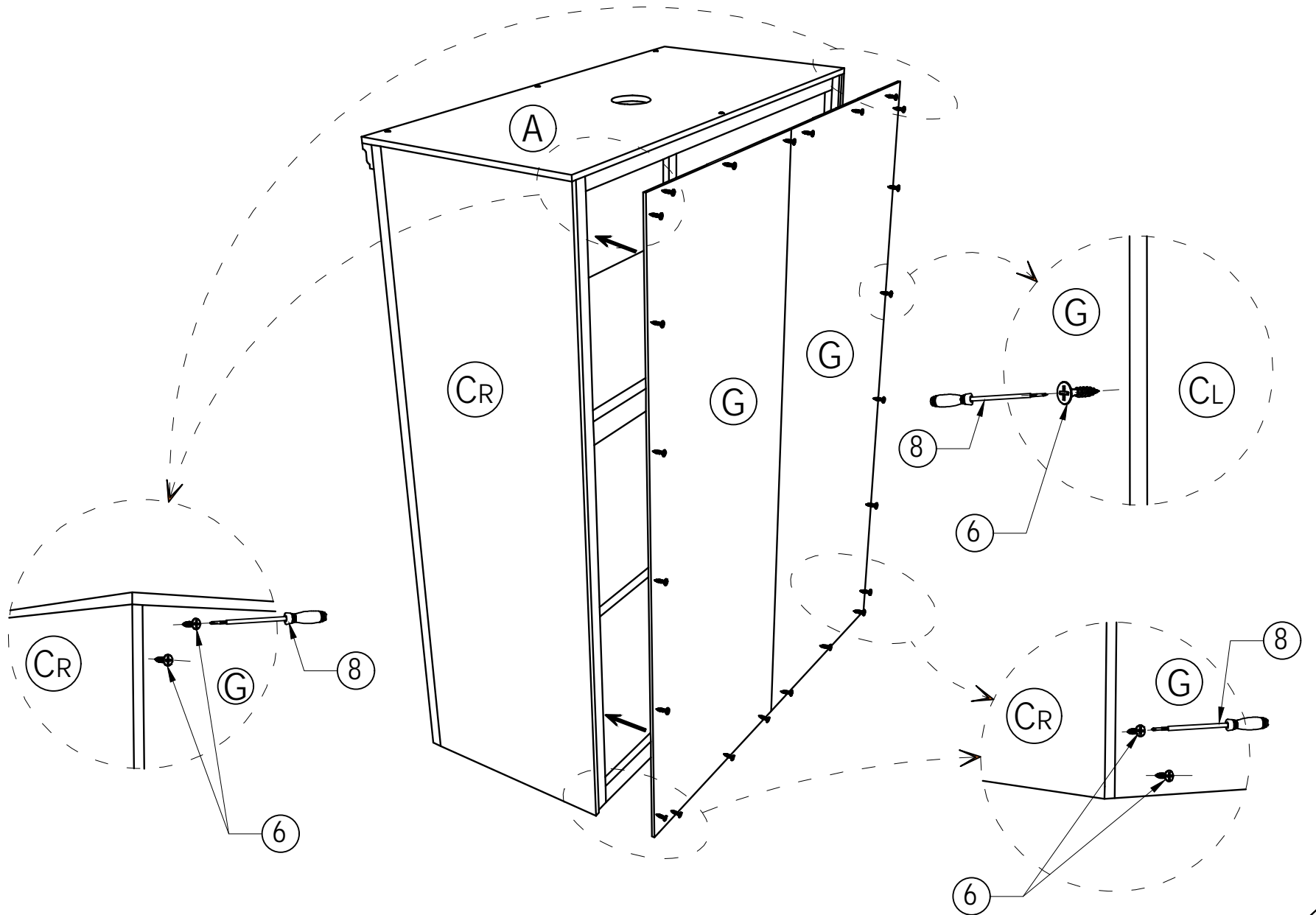


3x15mm
24 pcs

8



1 pc



7

STEP 7

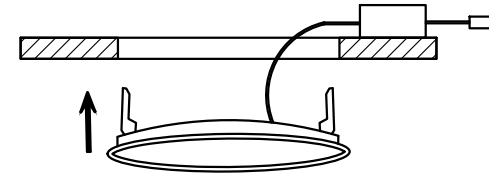
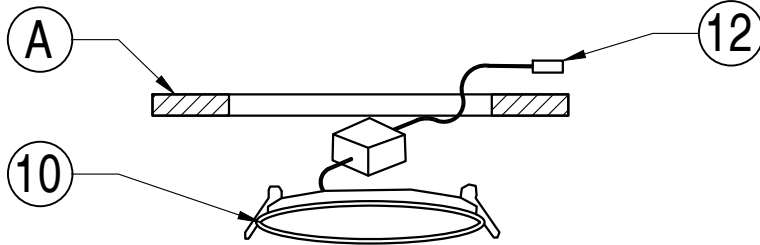
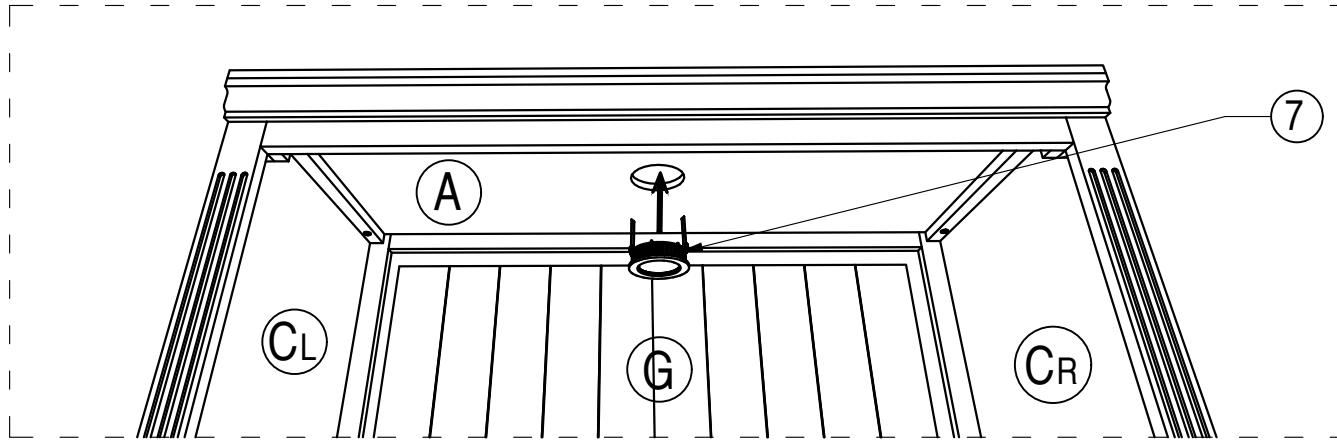


1 pc

12



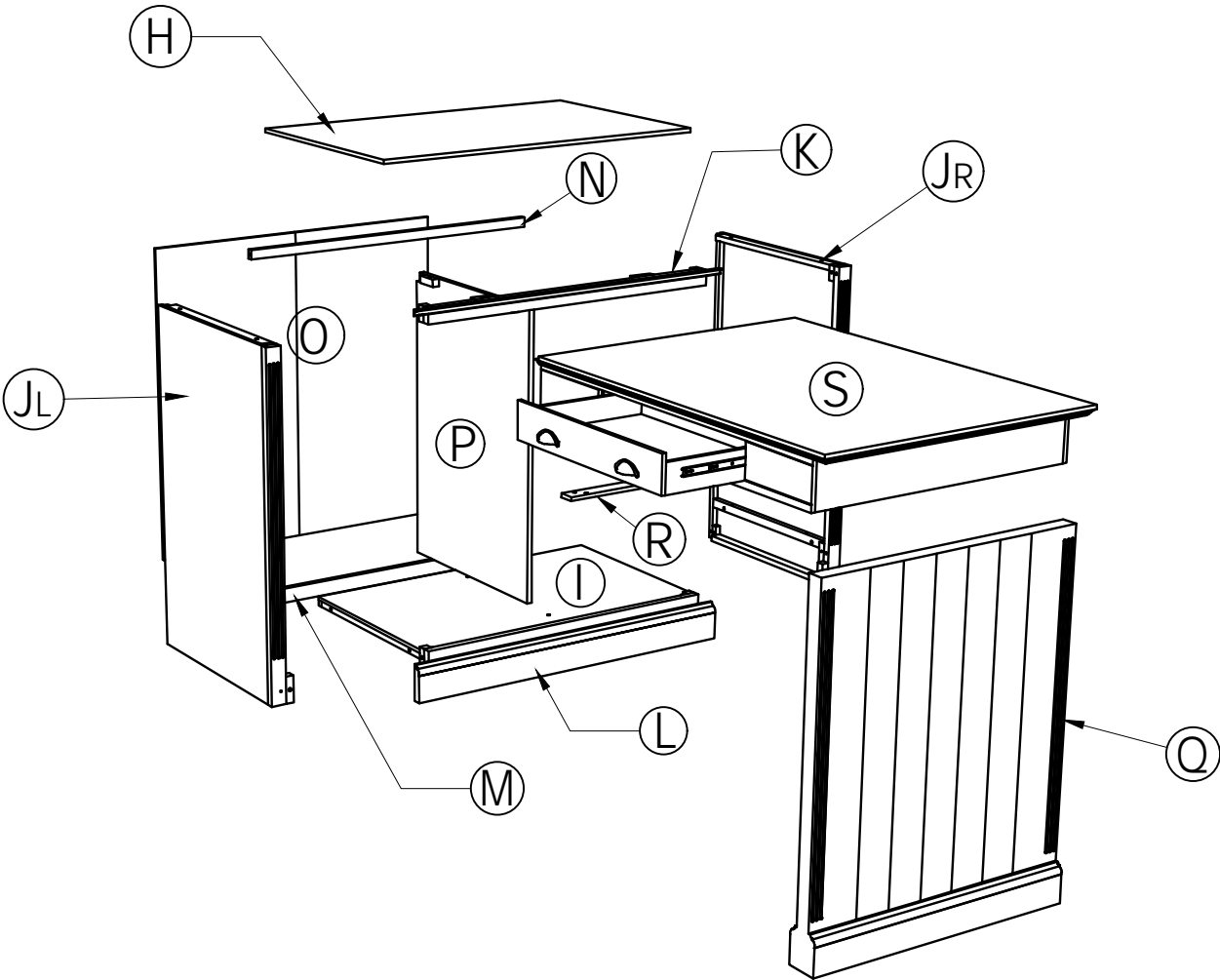
1 pc



1. First, turn off the power at home. After turning off the power at home, put on insulating gloves to handle it. Connect the wires of the lamp and the wires at home through component #12 (insert several wires into the slot of component #12), and you can use it.

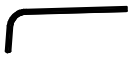
2. If you still don't understand, you can watch the video provided. The yellow wire in the video is the electrical wire that can be powered in the user's home.

COMPONENTS - KEY DIAGRAM



STEP 8

①



1 pc

②



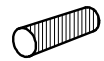
6x30mm
3 pcs

③

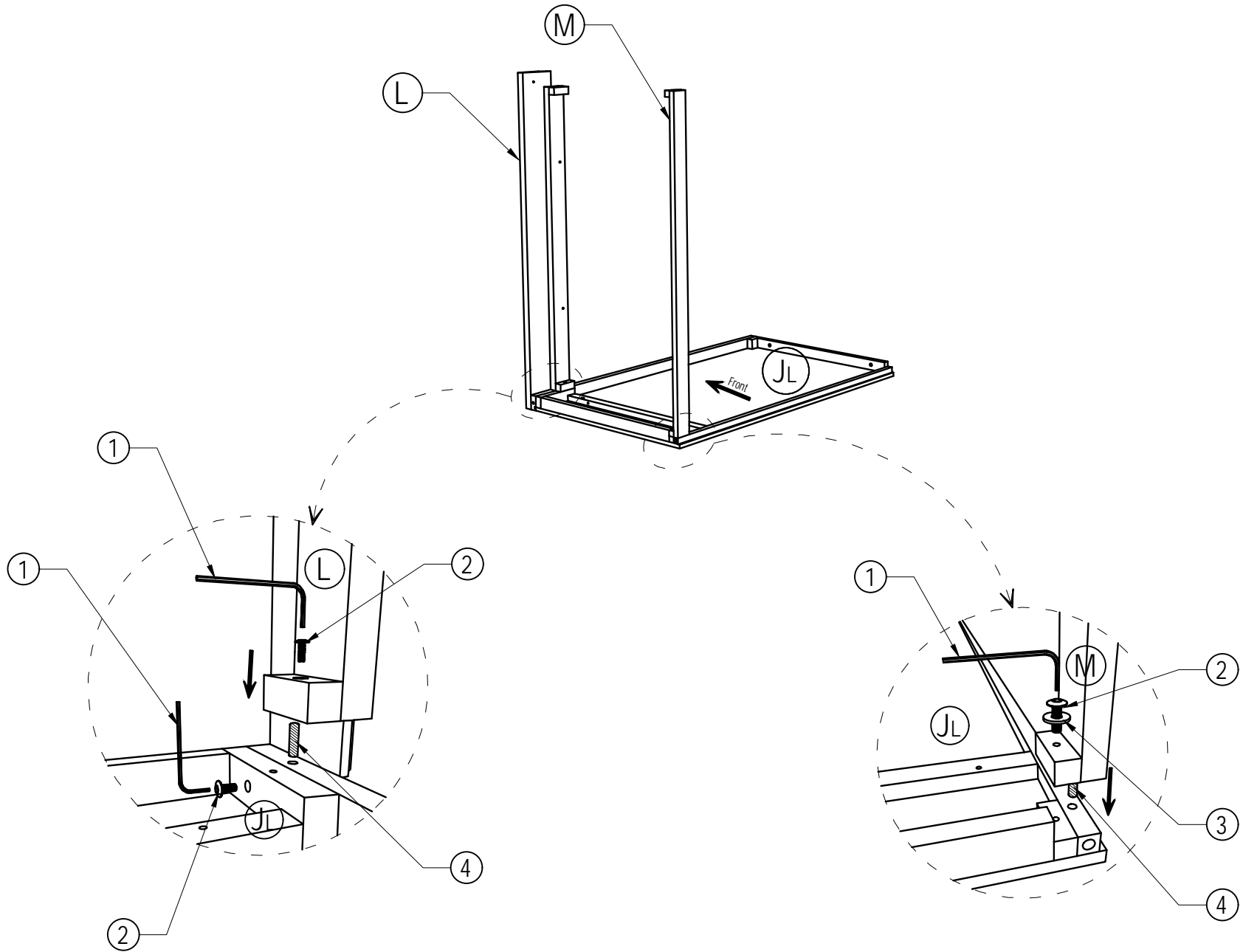


6x16mm
1 pc

④



8x30mm
2 pcs



STEP 9

①



1 pc

②



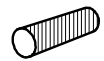
6x30mm
1 pc

③



6x16mm
1 pc

④



8x30mm
2 pcs

⑤

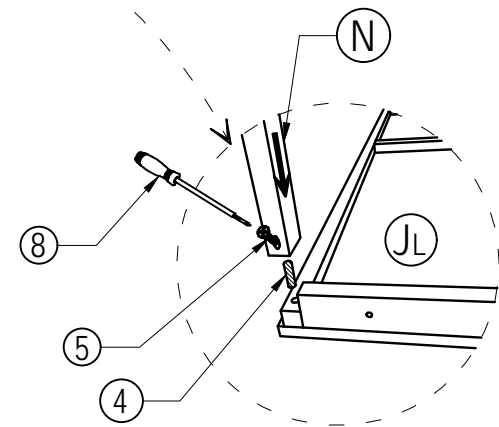
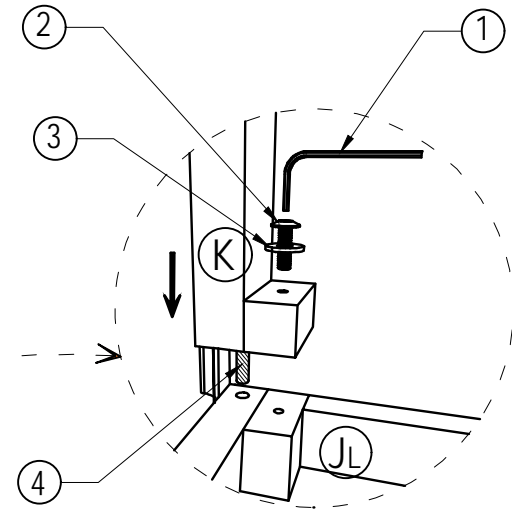
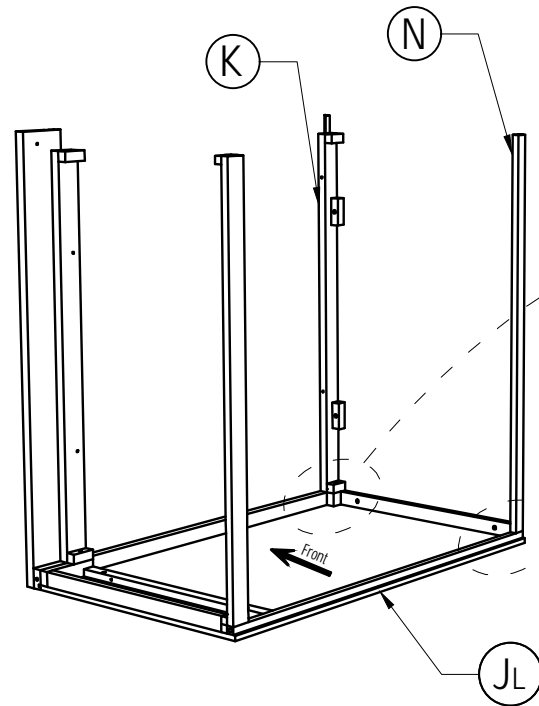


4x30mm
1 pc

⑧



1 pc



STEP 10

①



1 pc

②



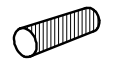
6x30mm
3 pcs

③

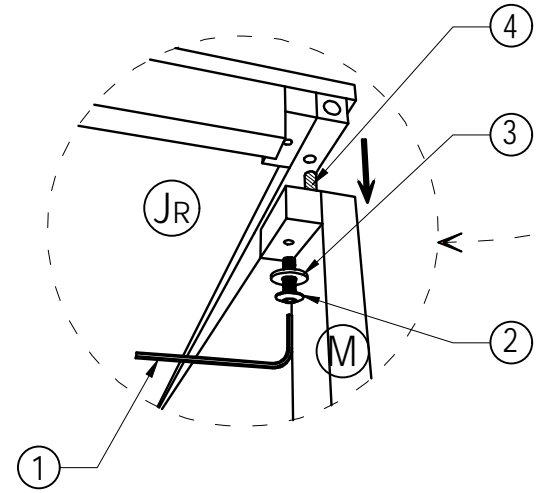
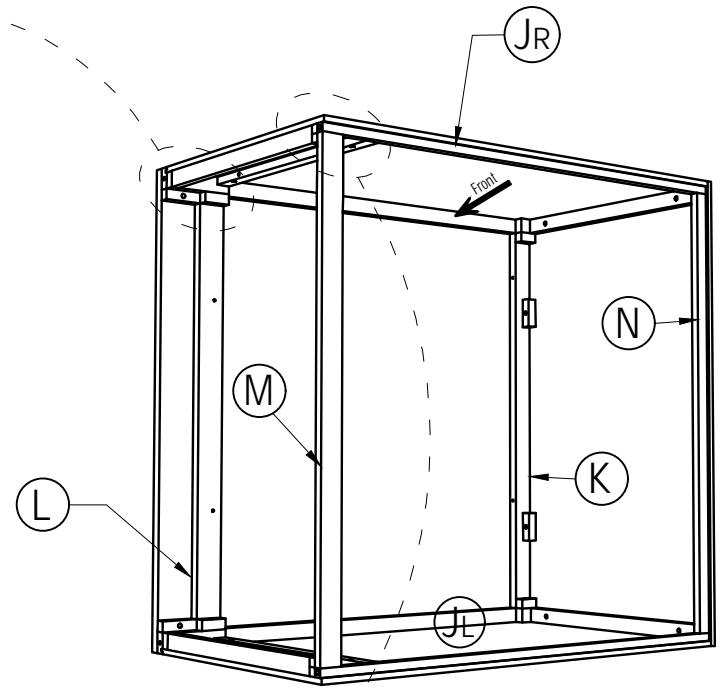
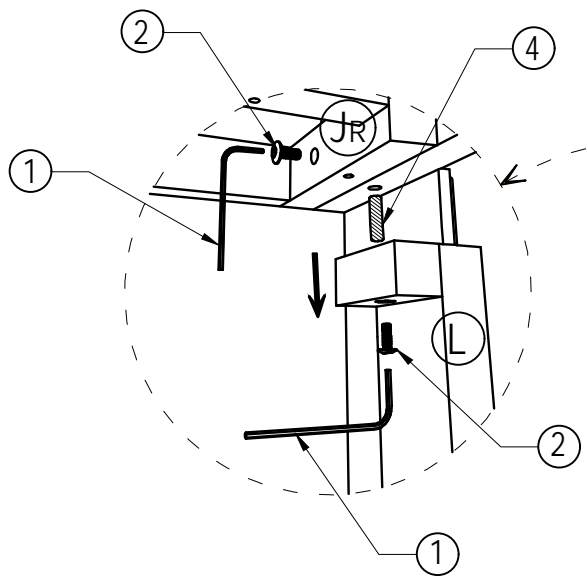


6x16mm
1 pc

④



8x30mm
2 pcs



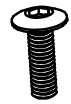
STEP 11

①



1 pc

②



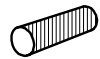
6x30mm
1 pc

③



6x16mm
1 pc

④



8x30mm
2 pcs

⑤

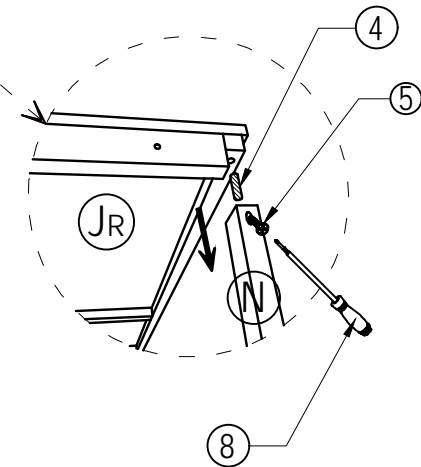
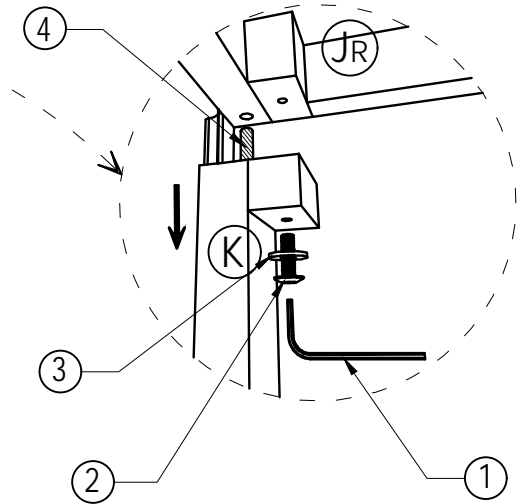
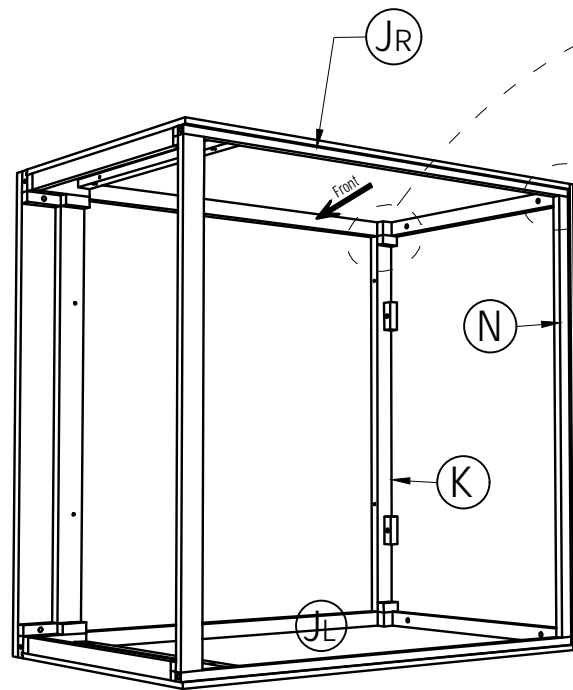


4x30mm
1 pc

⑧



1 pc



STEP 12

①



1 pc

②

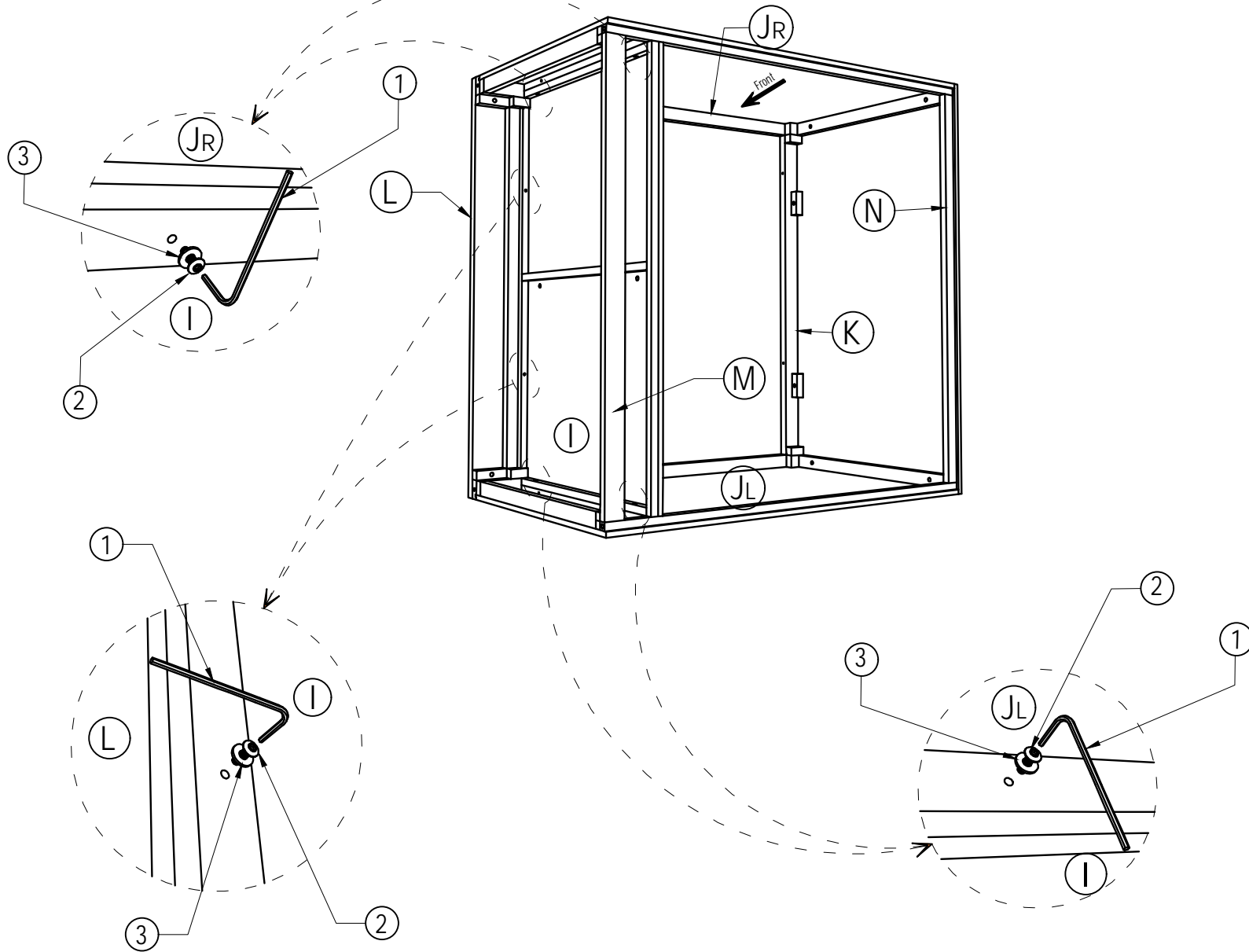


6x30mm
6 pcs

③



6x16mm
6 pcs



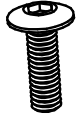
STEP 13

1

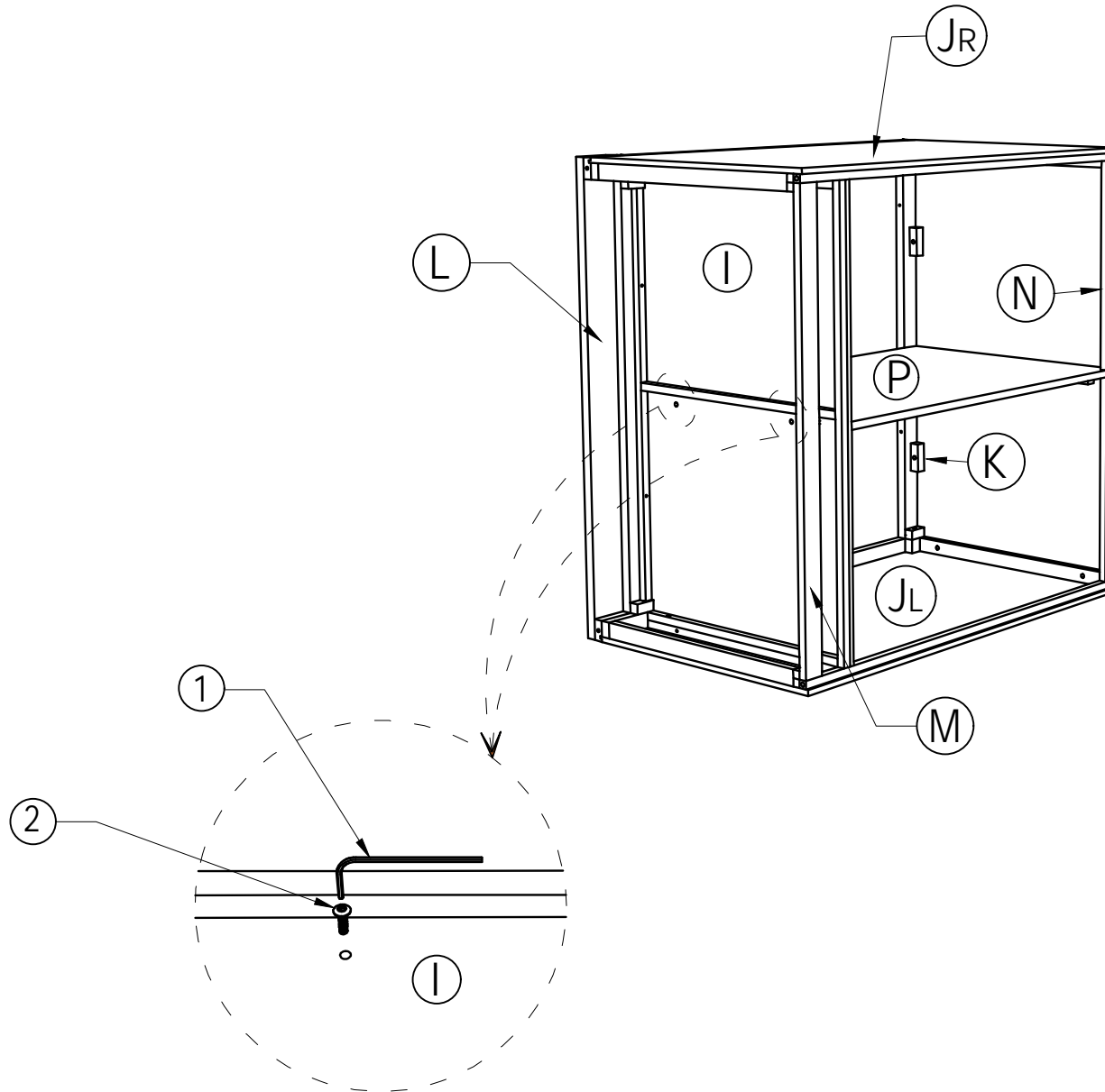


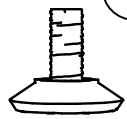
1 pc

2



6x30mm
2 pcs

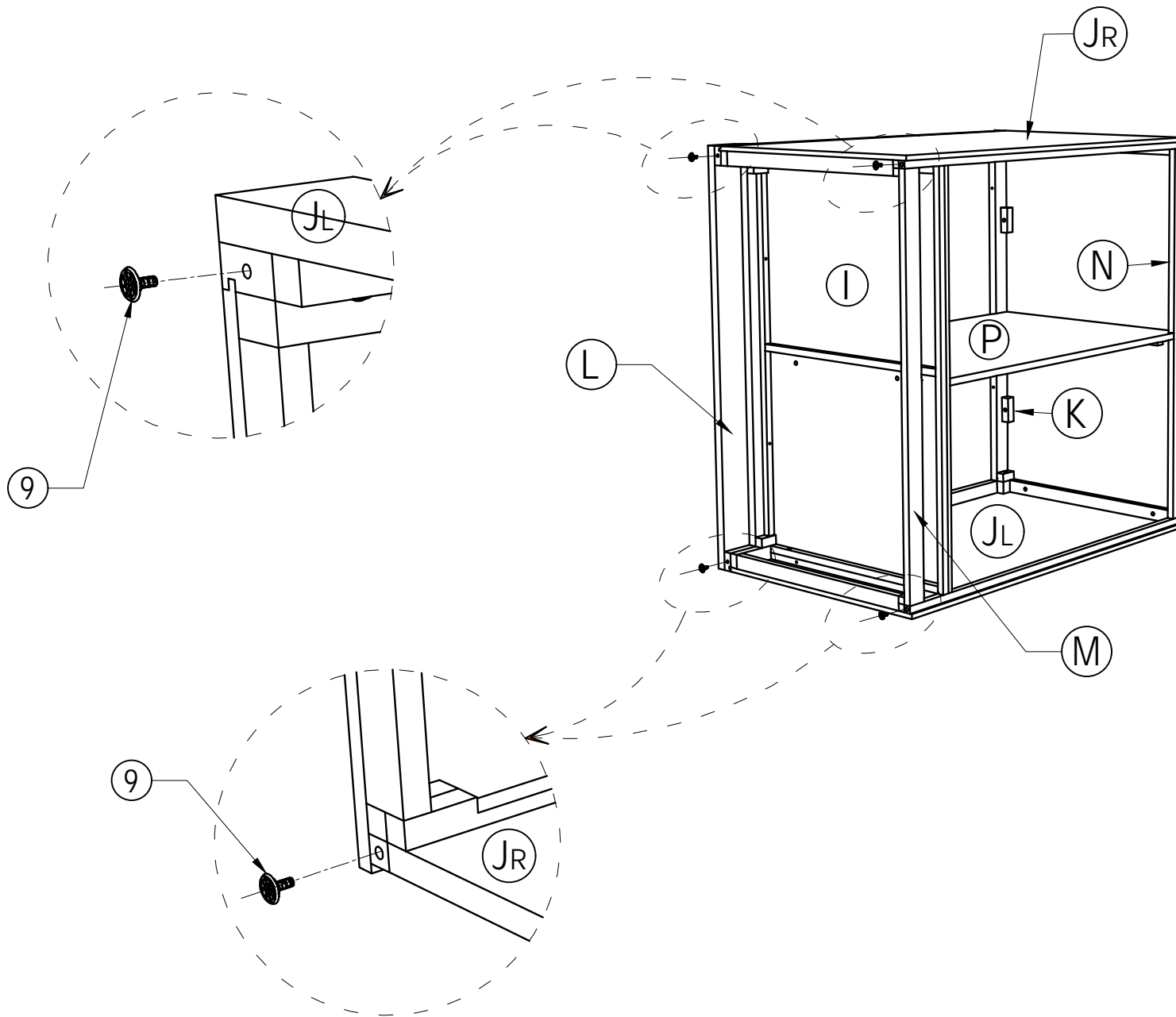




9

15x20mm
4 pcs

STEP 14



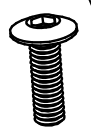
STEP 15

1



1 pc

2

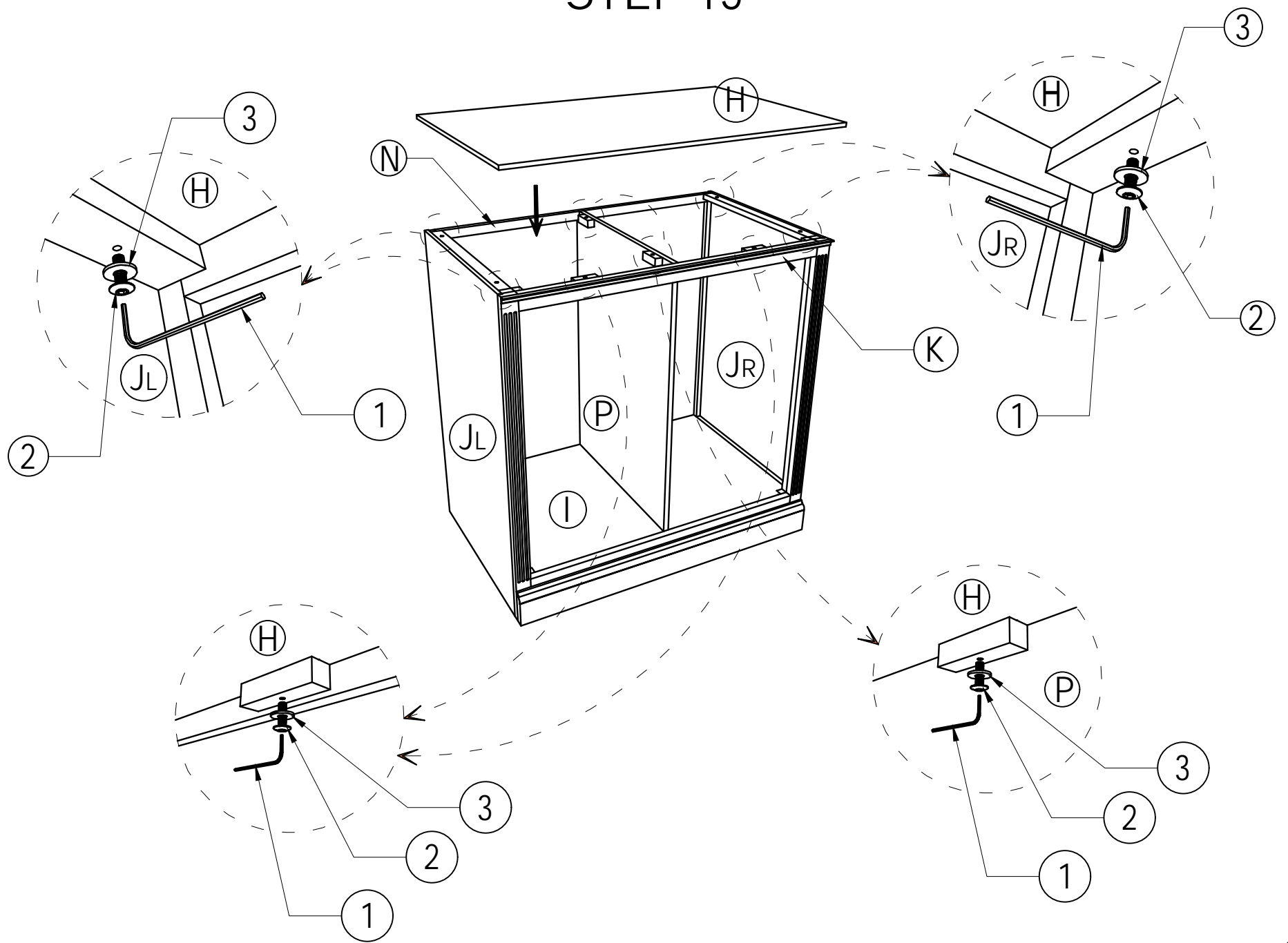


6x30mm
8 pcs

3



6x16mm
8 pcs



6



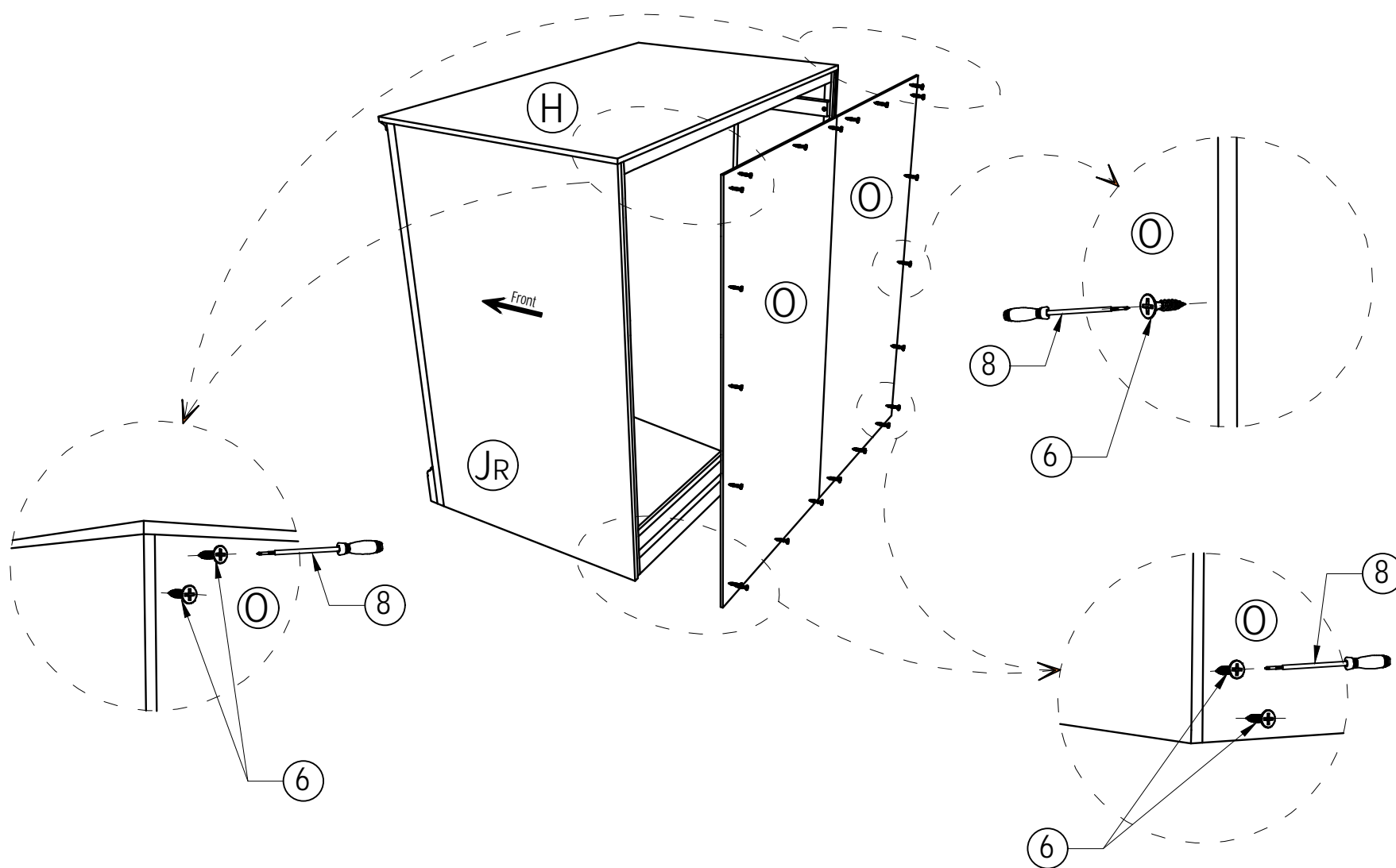
3x15mm
22 pcs

8



1 pc

STEP 16



STEP 17

1



1 pc

2



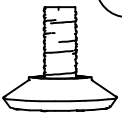
6x30mm
3 pcs

3

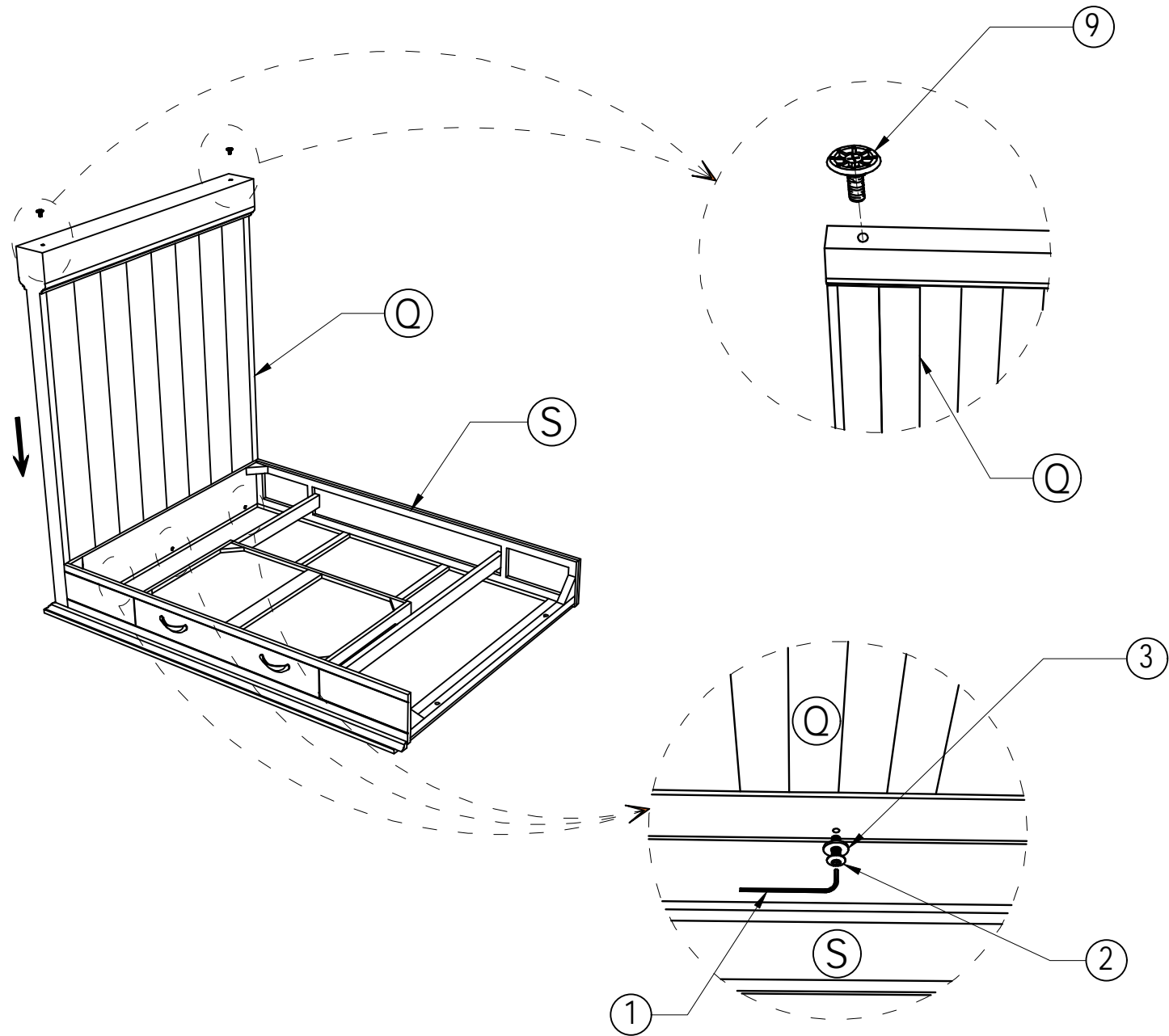


6x16mm
3 pcs

9



15x20mm
2 pcs



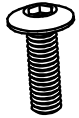
STEP 18

1



1 pc

2

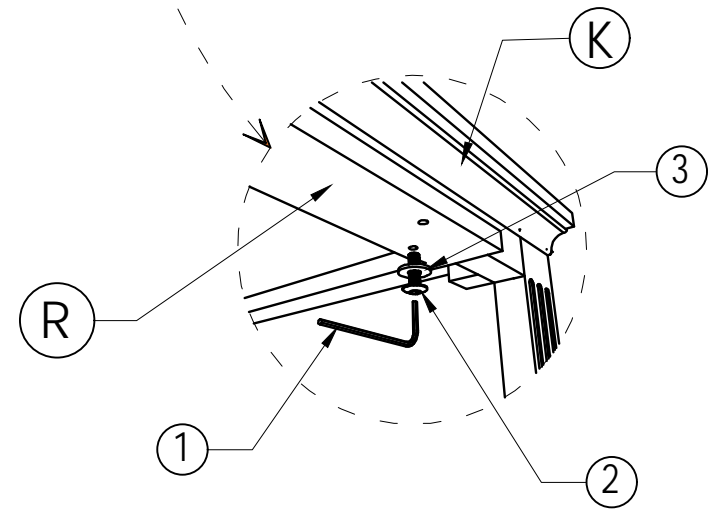
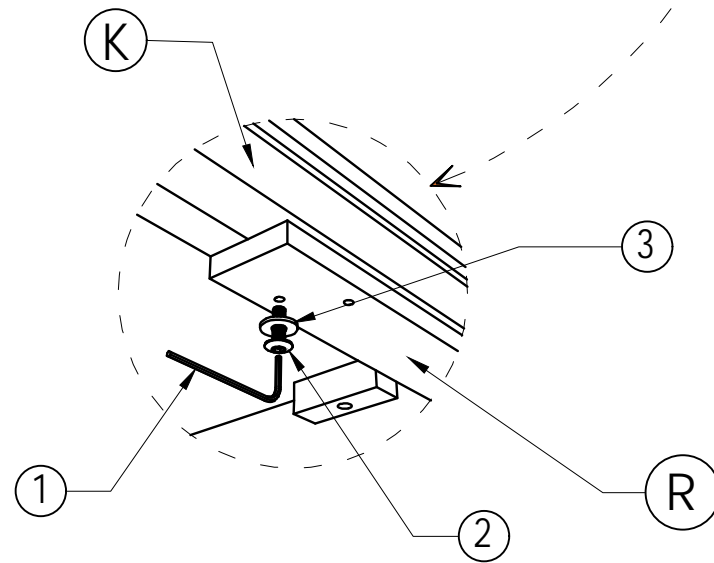
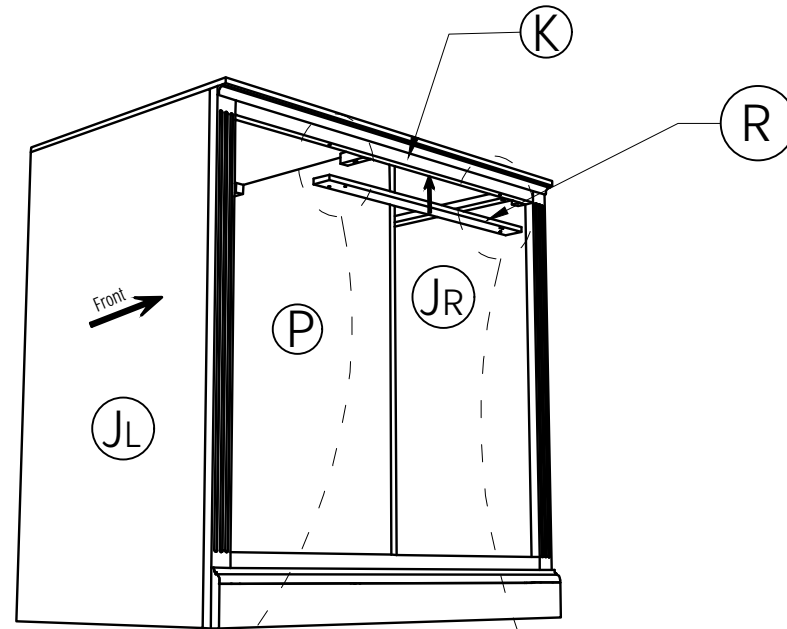


6x30mm
2 pcs

3



6x16mm
2 pcs



STEP 19

1



1 pc

2

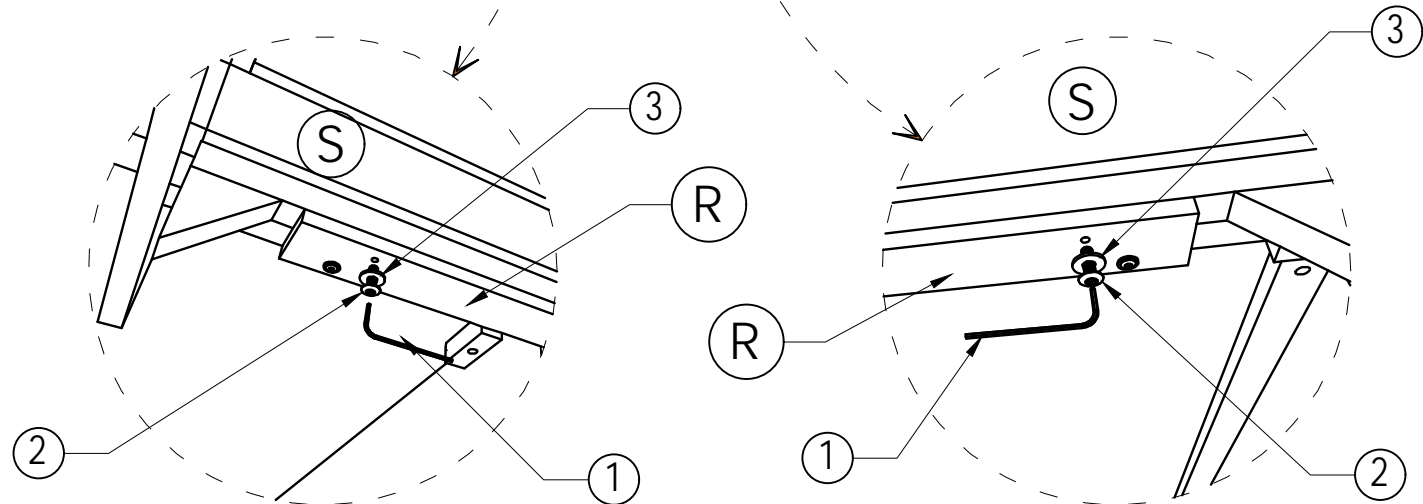
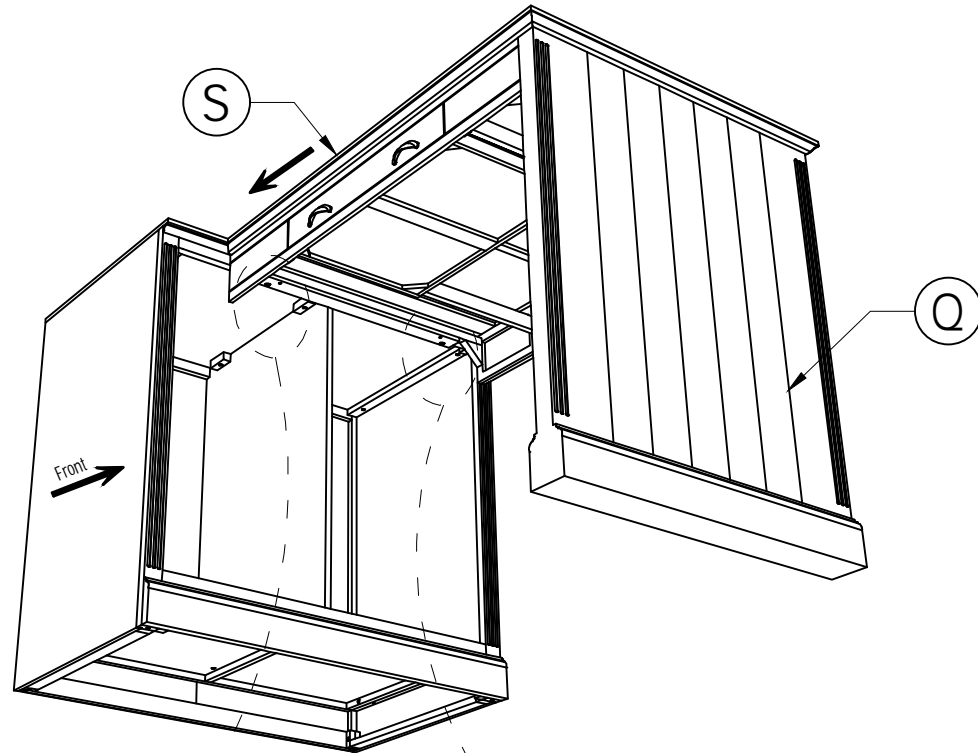


6x30mm
2 pcs

3



6x16mm
2 pcs



STEP 20

8



1 pc

10



20x80mm
2 pcs

11



4x20mm
4 pcs

