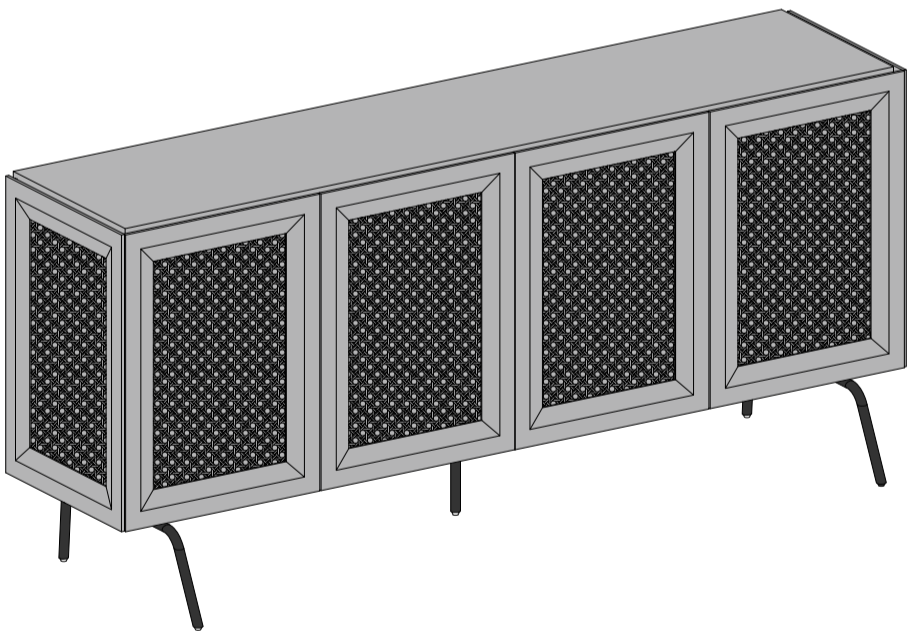


ASSEMBLY INSTRUCTION

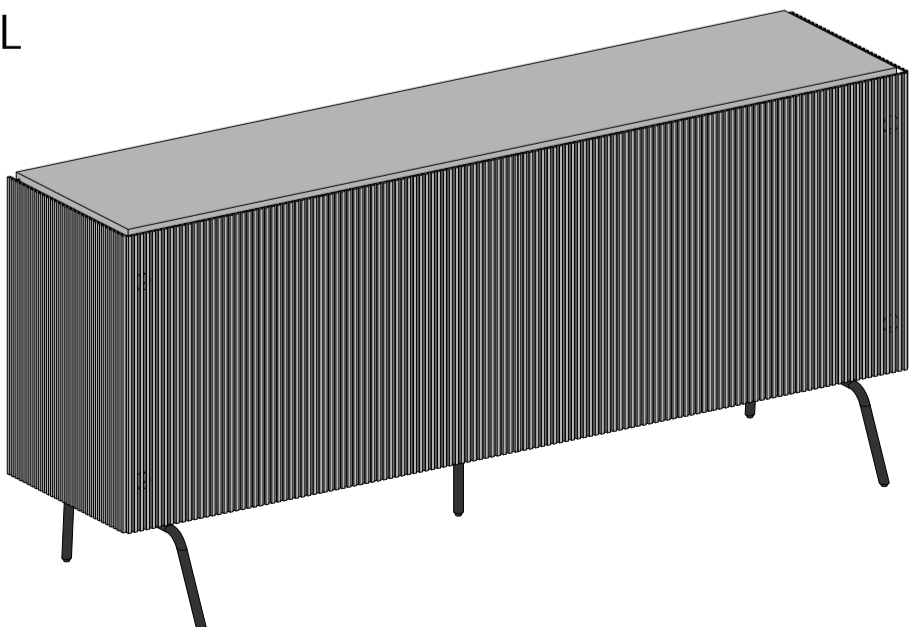
MOSSIC/ VEIL SIDEBORD 4 DOORS

TEAM ASSEMBLY RECOMMENDED

MOSSIC



VEIL



Return Policy

Thank you for choosing us. We are committed to providing high-quality products that are designed to withstand heavy daily use by the most demanding users. When you purchase our products, you can be assured that you are receiving authentic products that meet our rigorous standards.

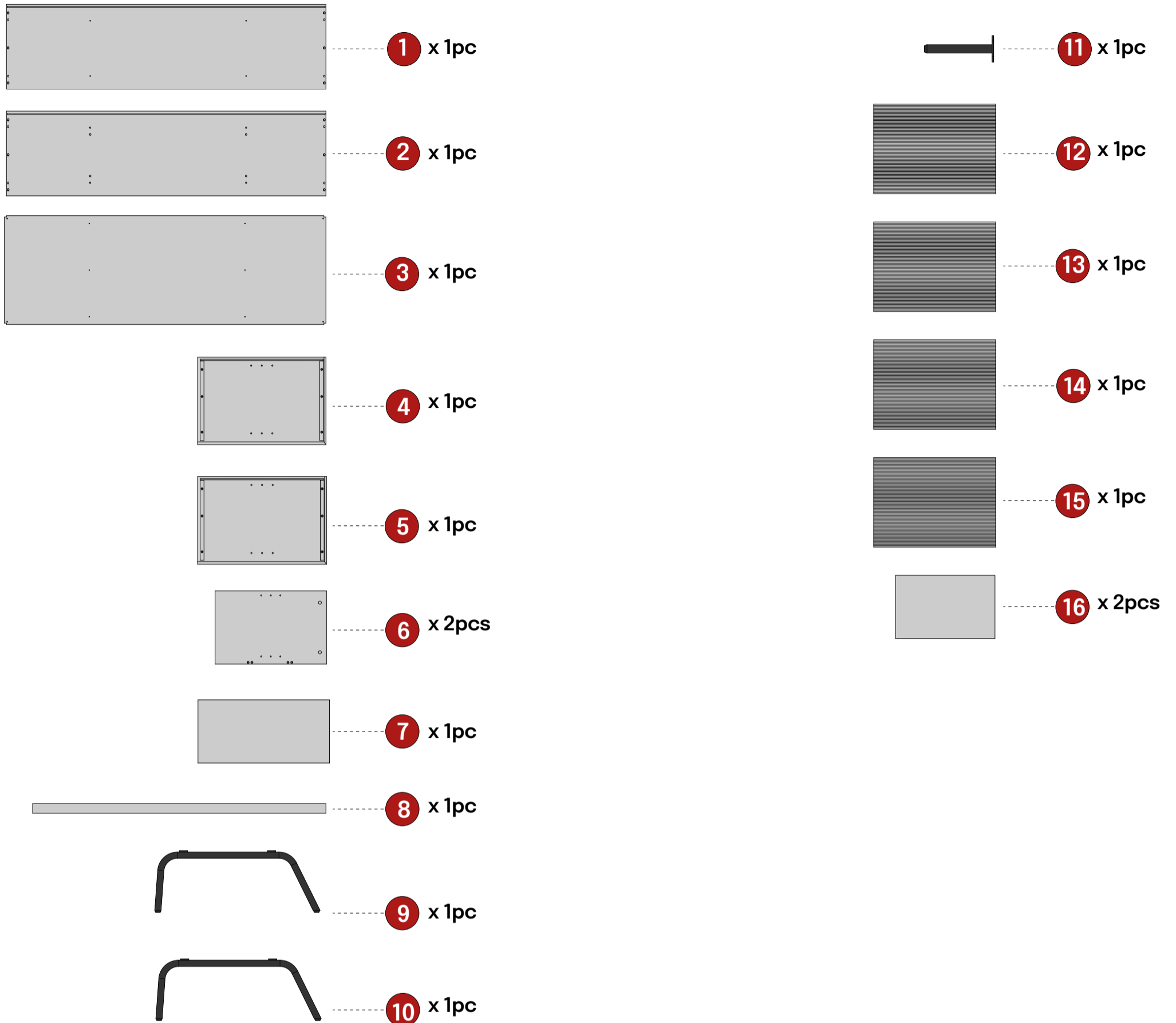
We are not responsible for normal wear and tear, products used commercially, or failures caused by accidents, abuse, alteration, modification, misuse, or improper care.

We provide the following warranties:

30-day satisfaction warranty across our product line. Specific warranties for each item. Please refer to your User Manual for the exact coverage. If you encounter any technical issues while installing or configuring our products, please contact our qualified staff for professional assistance. Replacement parts or products will be sent at our discretion if the defect is the result of any fault on our side. You must provide proof of purchase, with the date of purchase, as well as photos of the defective merchandise. Photos may be used to determine the cause of defects and for future quality control. If you wish to return a purchased product, please refer to our Return Policy.

For any questions, comments, or concerns, please contact our store or reach out to us.

Components



HARDWARE LIST

| | | | |
|----------|--|---------------------|----|
| A | | M6 x 30 Bolt | 16 |
| B | | M6 x 15 Bolt | 10 |
| C | | M7 x 40 Screw | 4 |
| D | | Cam Lock | 4 |
| E | | M4 x 15 Screw | 48 |
| F | | Shelf Pin | 12 |
| G | | M4 x 20 Screw | 10 |
| H | | Magnetic Door Catch | 4 |
| I | | M3 x 15 Screw | 8 |
| J | | Door Hinge | 8 |
| K | | M4 Allen Key | 1 |

ANTI-TIP PART

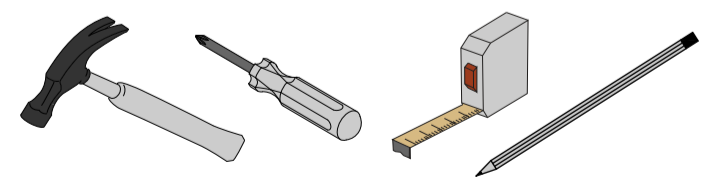
| | | | |
|----------|--|--------------|---|
| A | | Bracket | 4 |
| B | | M4x15 Screw | 4 |
| C | | M8 x 38 Plug | 4 |
| D | | M4x40 Screw | 4 |
| E | | Strap | 2 |

Ensure that all parts and hardware are available before beginning assembly.

Follow each step carefully to ensure the proper assembly of this product.

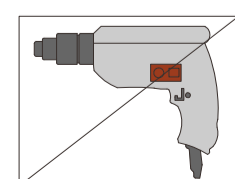
Two people are recommended for ease in the assembly of this product.

A Phillips head screwdriver, pencil, hammer and tape measure is required for the assembly of this product.

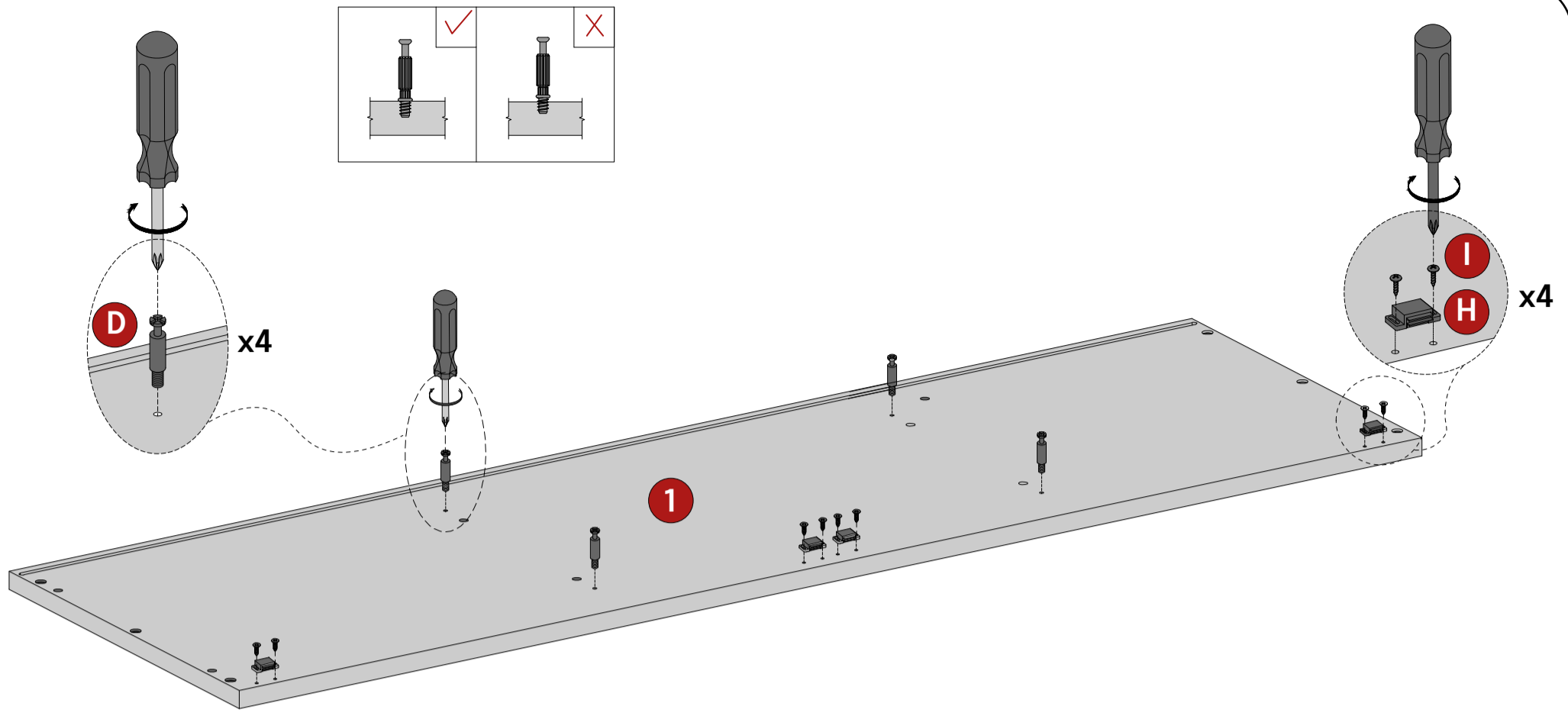


Not included.

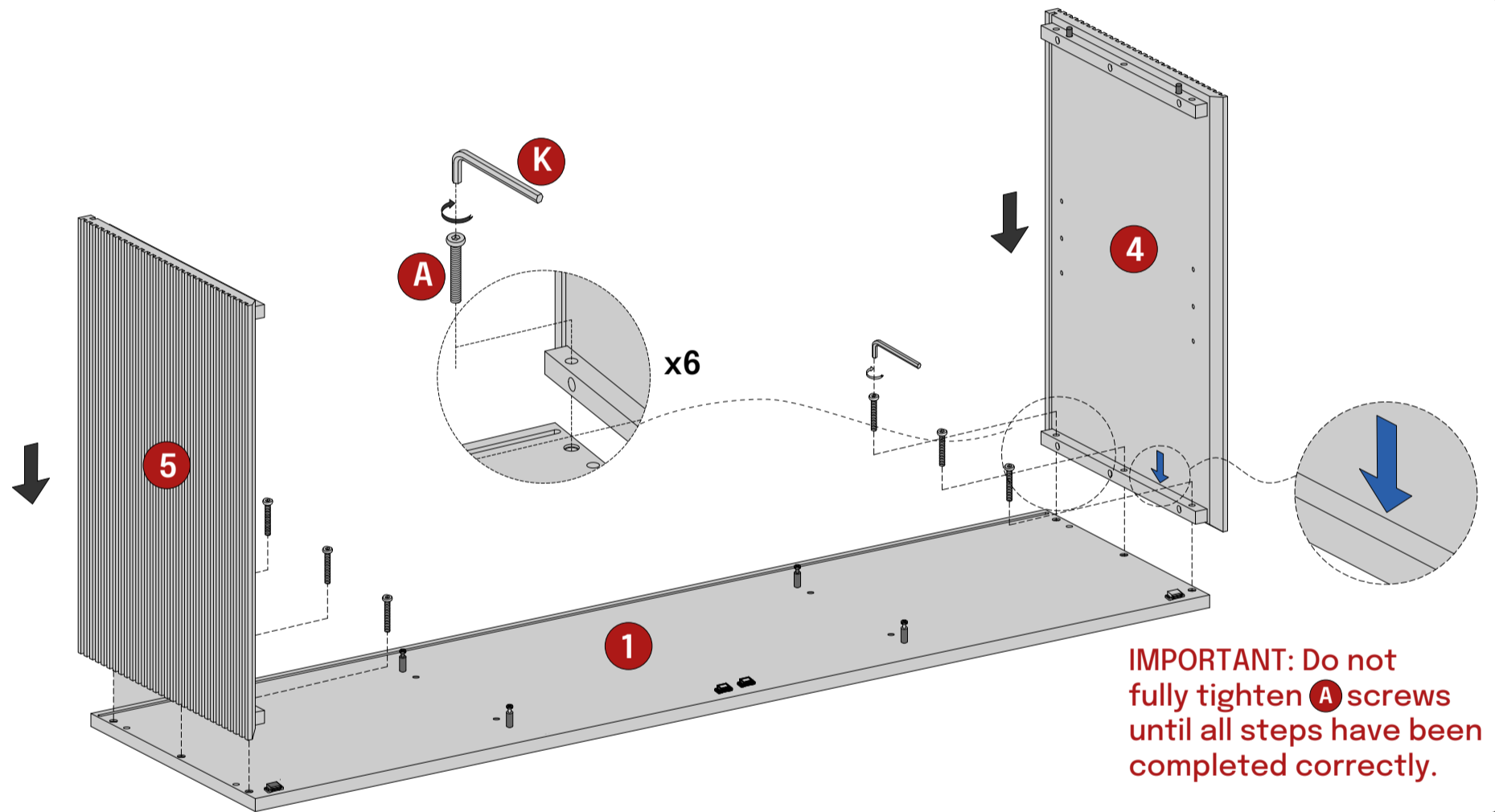
Power tools should not be used to assemble this product.



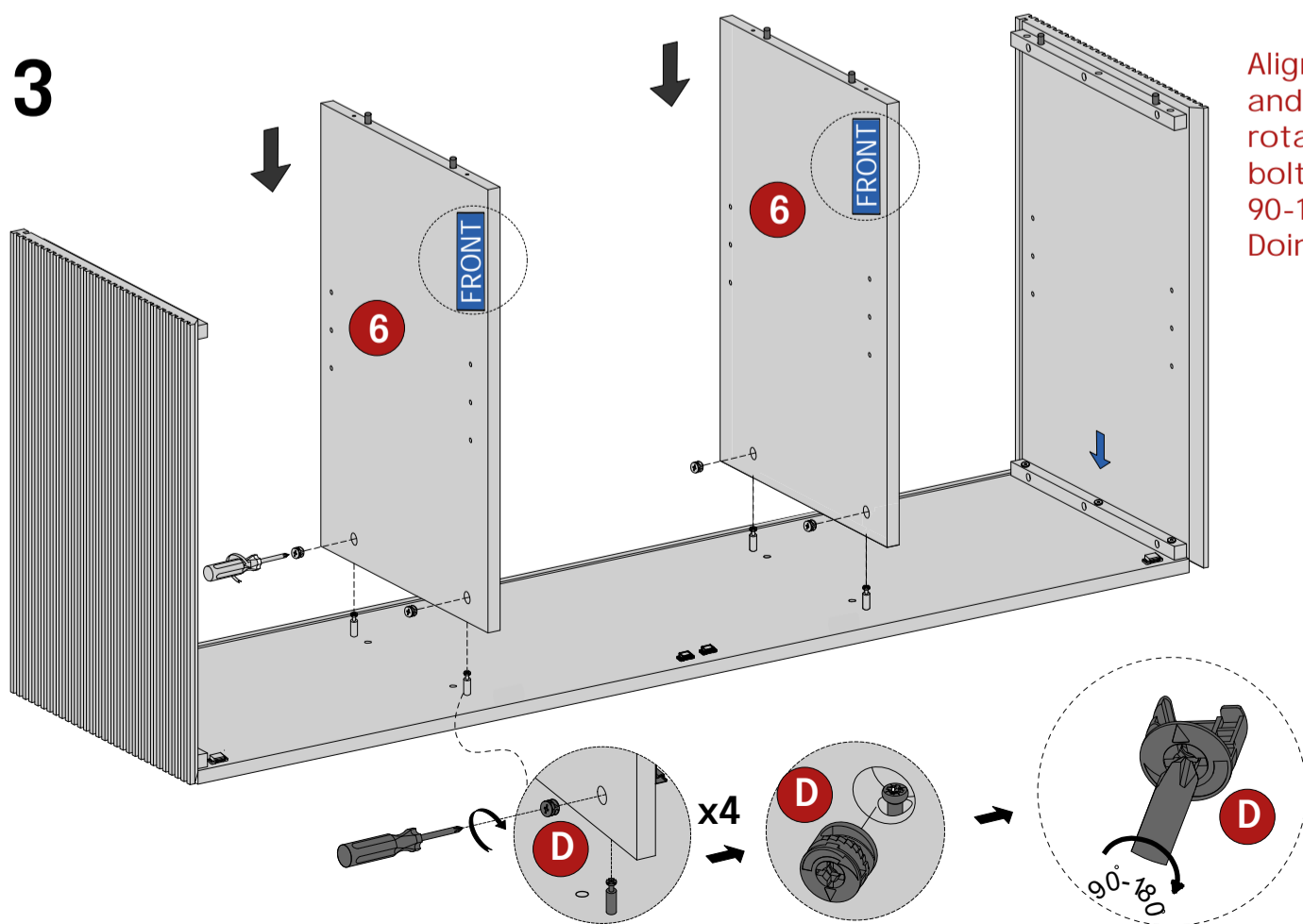
1



2

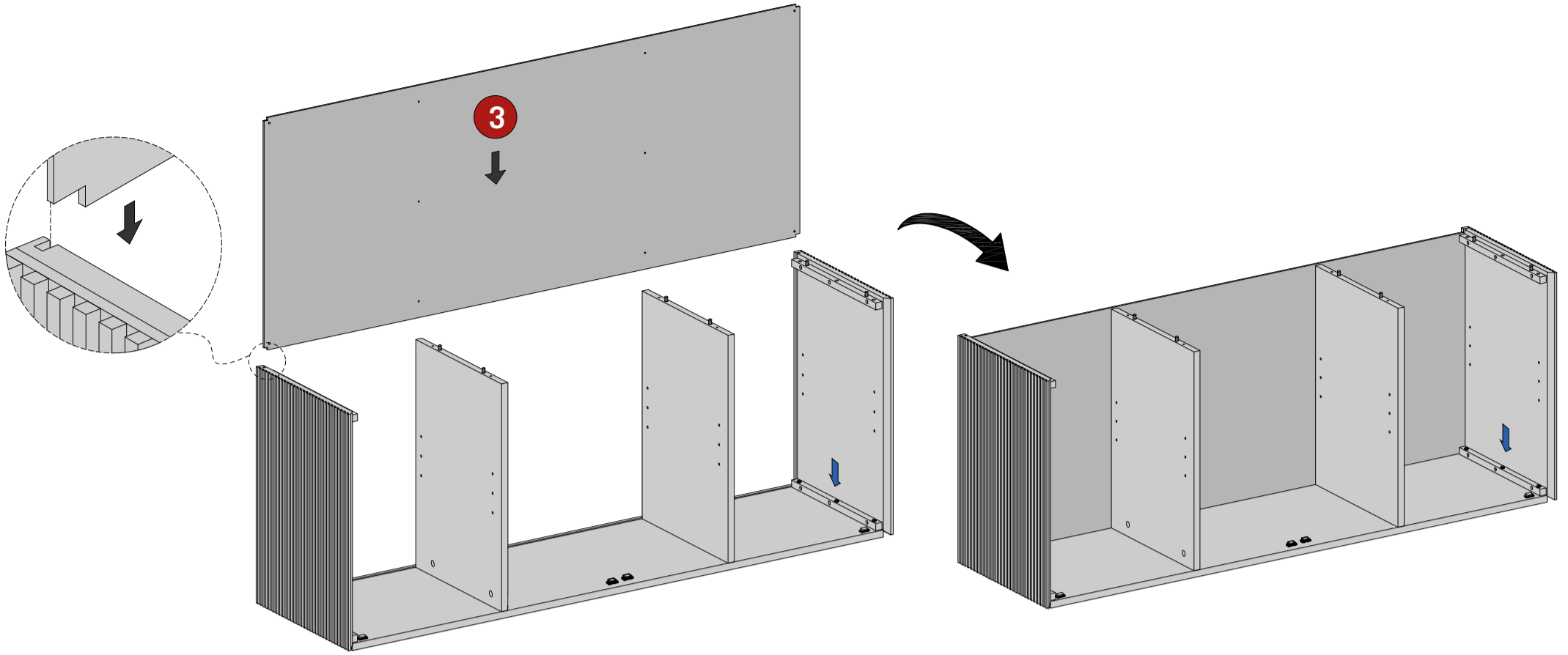


3



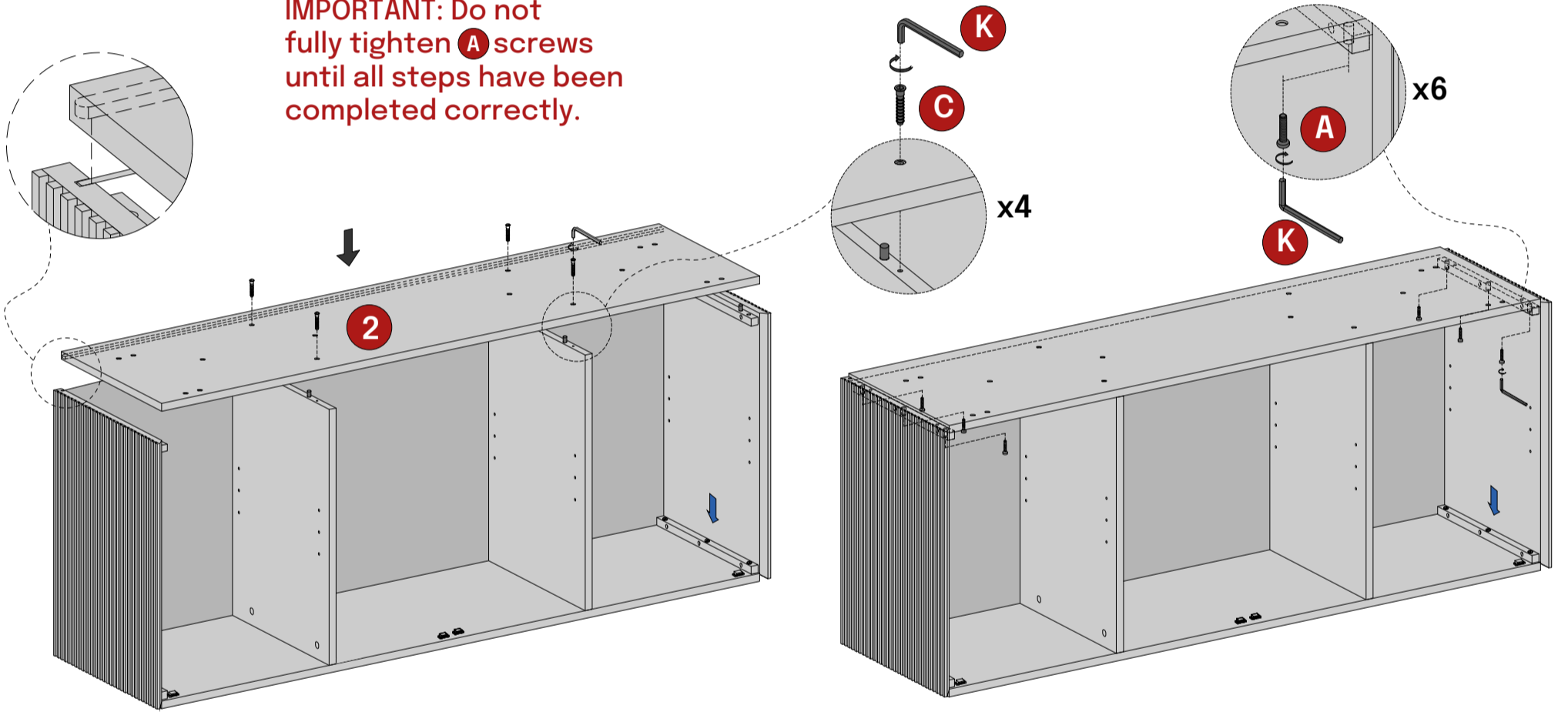
Align the opening in cam lock to the cam bolt and press into opening. Using the screwdriver, rotate the cam lock until it engages with the cam bolt and locks in place (anywhere between 90-180 degrees). Do not over-tighten the cam lock. Doing so may result in damaged or broken parts.

4

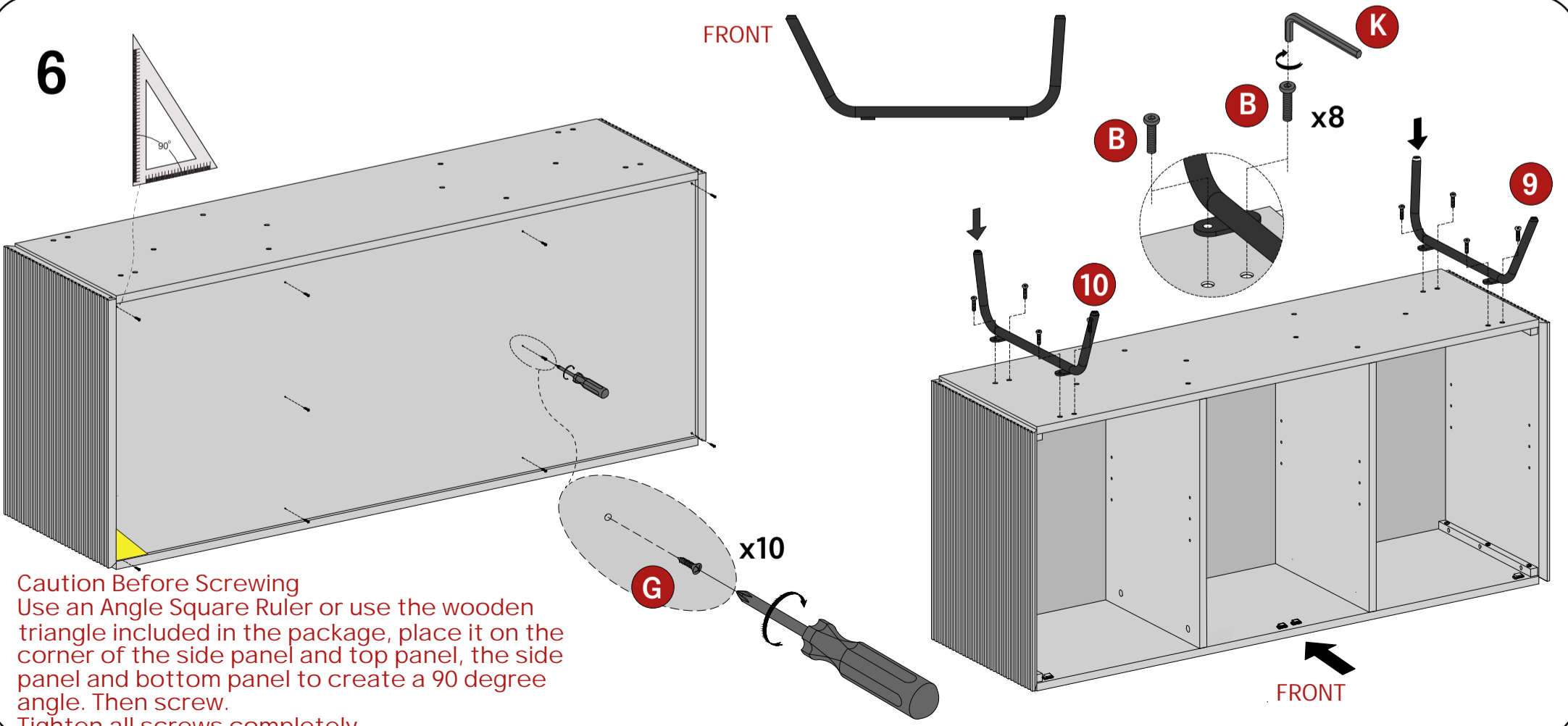


5

IMPORTANT: Do not fully tighten **A** screws until all steps have been completed correctly.

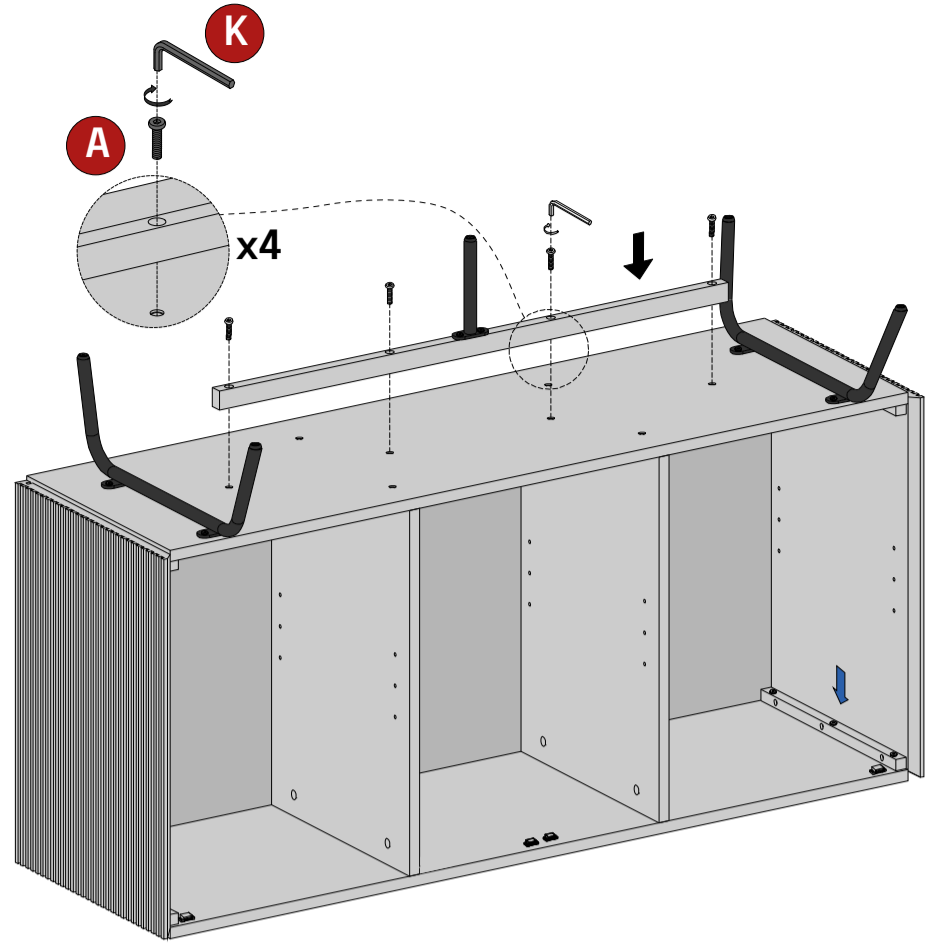
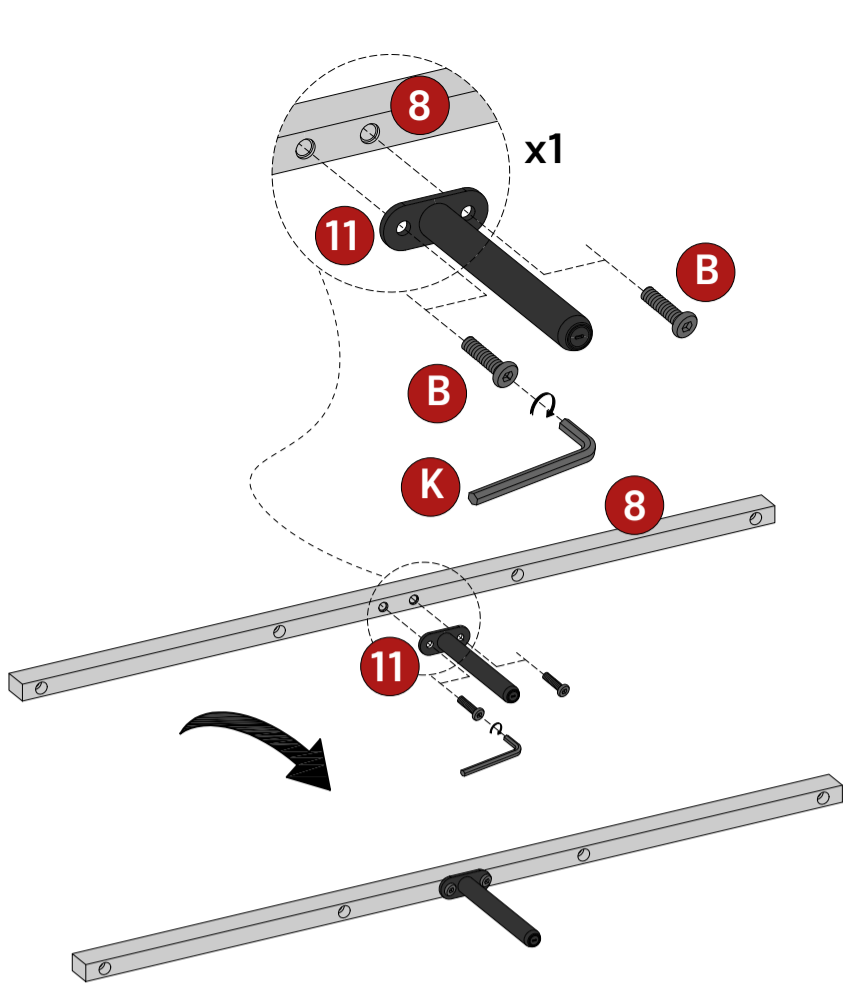


6

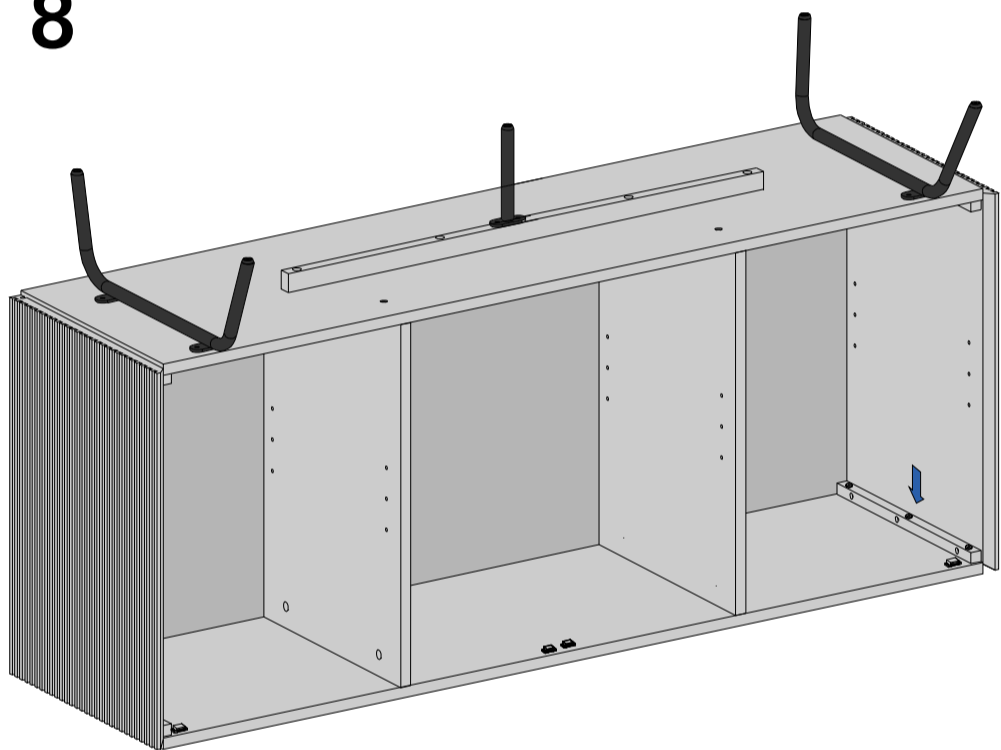


Caution Before Screwing
Use an Angle Square Ruler or use the wooden triangle included in the package, place it on the corner of the side panel and top panel, the side panel and bottom panel to create a 90 degree angle. Then screw. Tighten all screws completely.

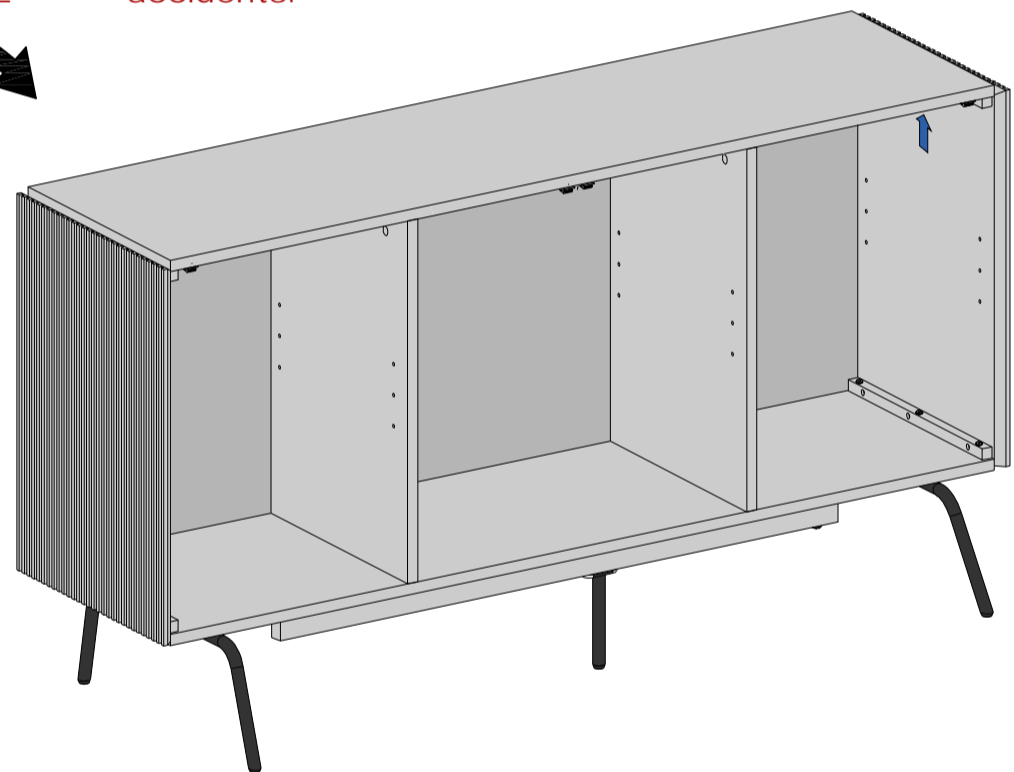
7



8

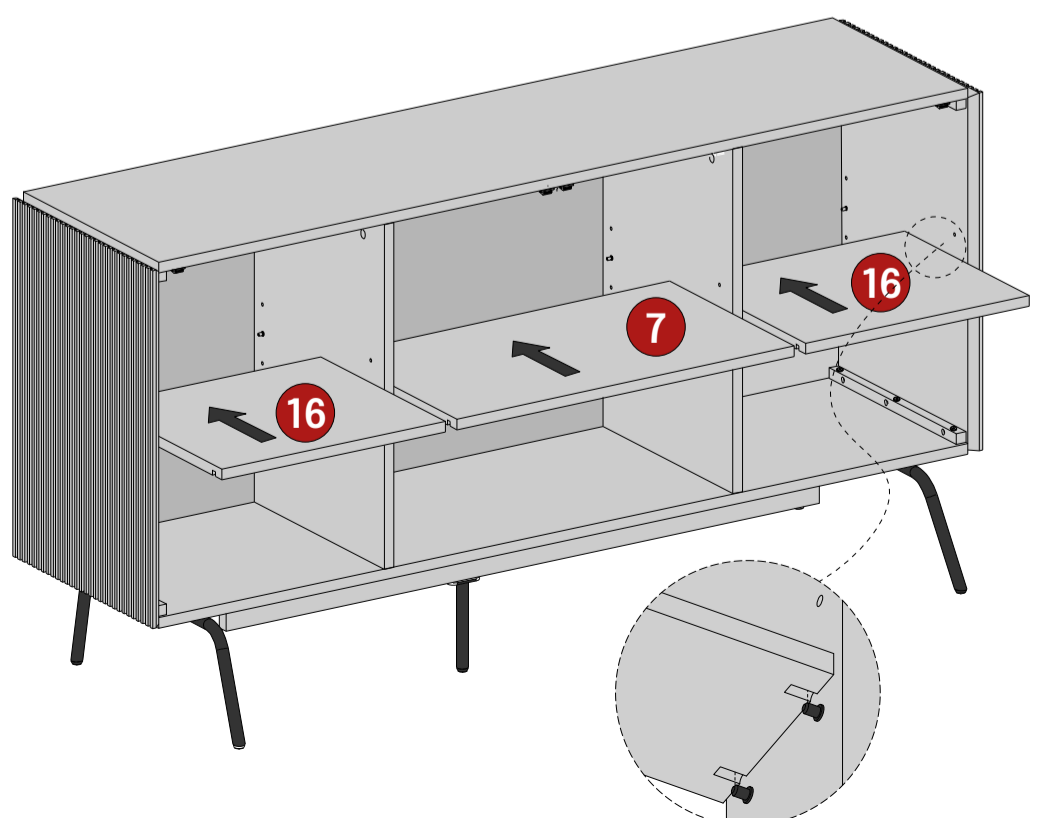
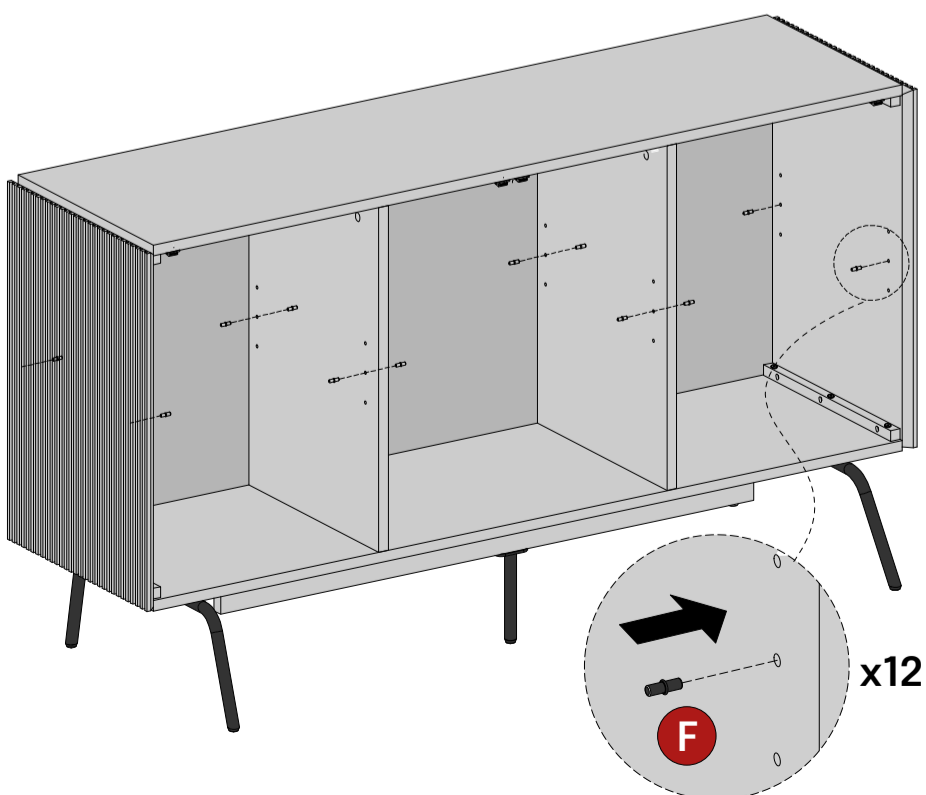


ROTATE

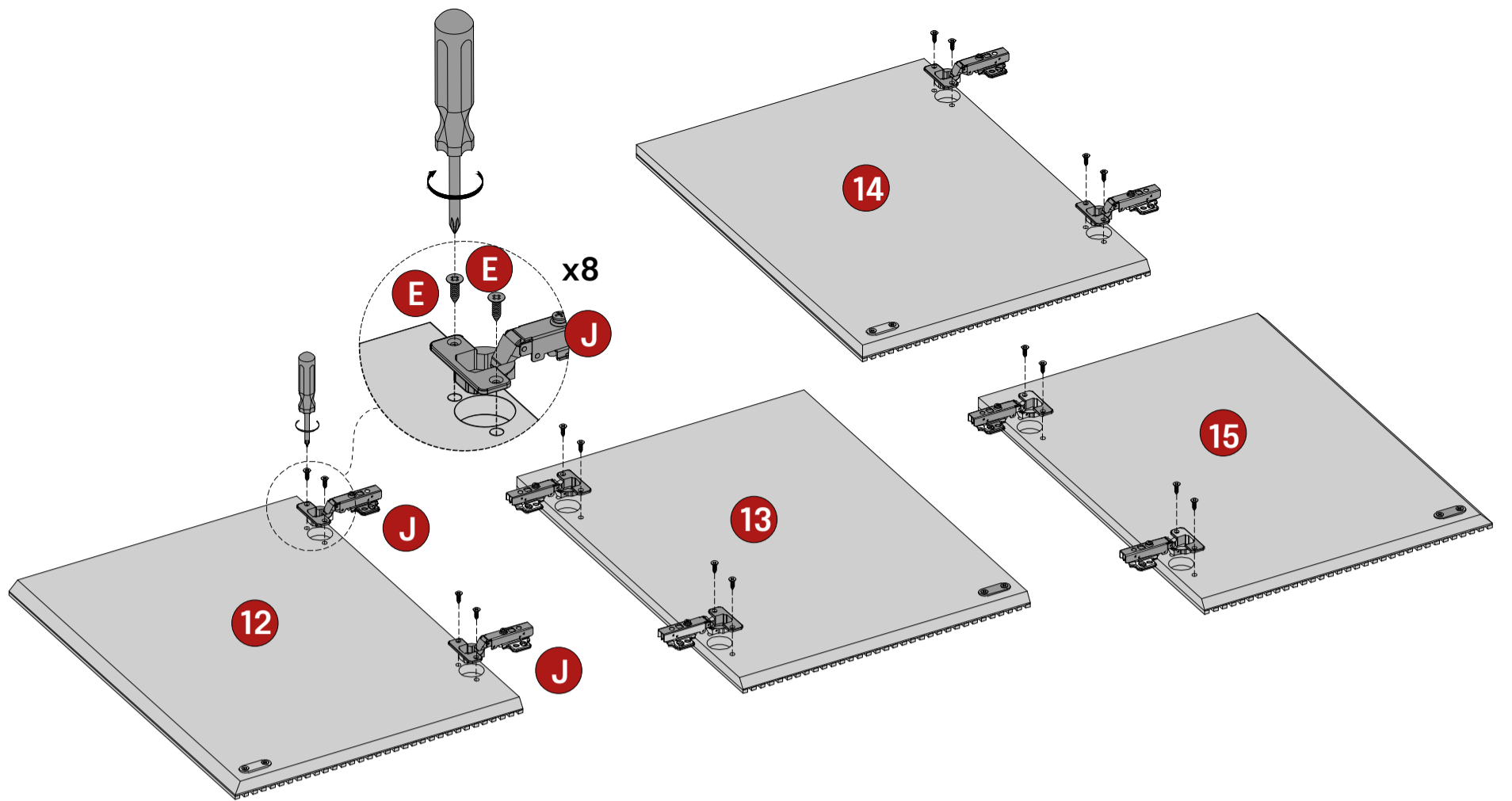


Caution When Flipping the Sideboard Exercise extreme caution when flipping the Sideboard Make sure to have at least two people involved to ensure stability and prevent accidents.

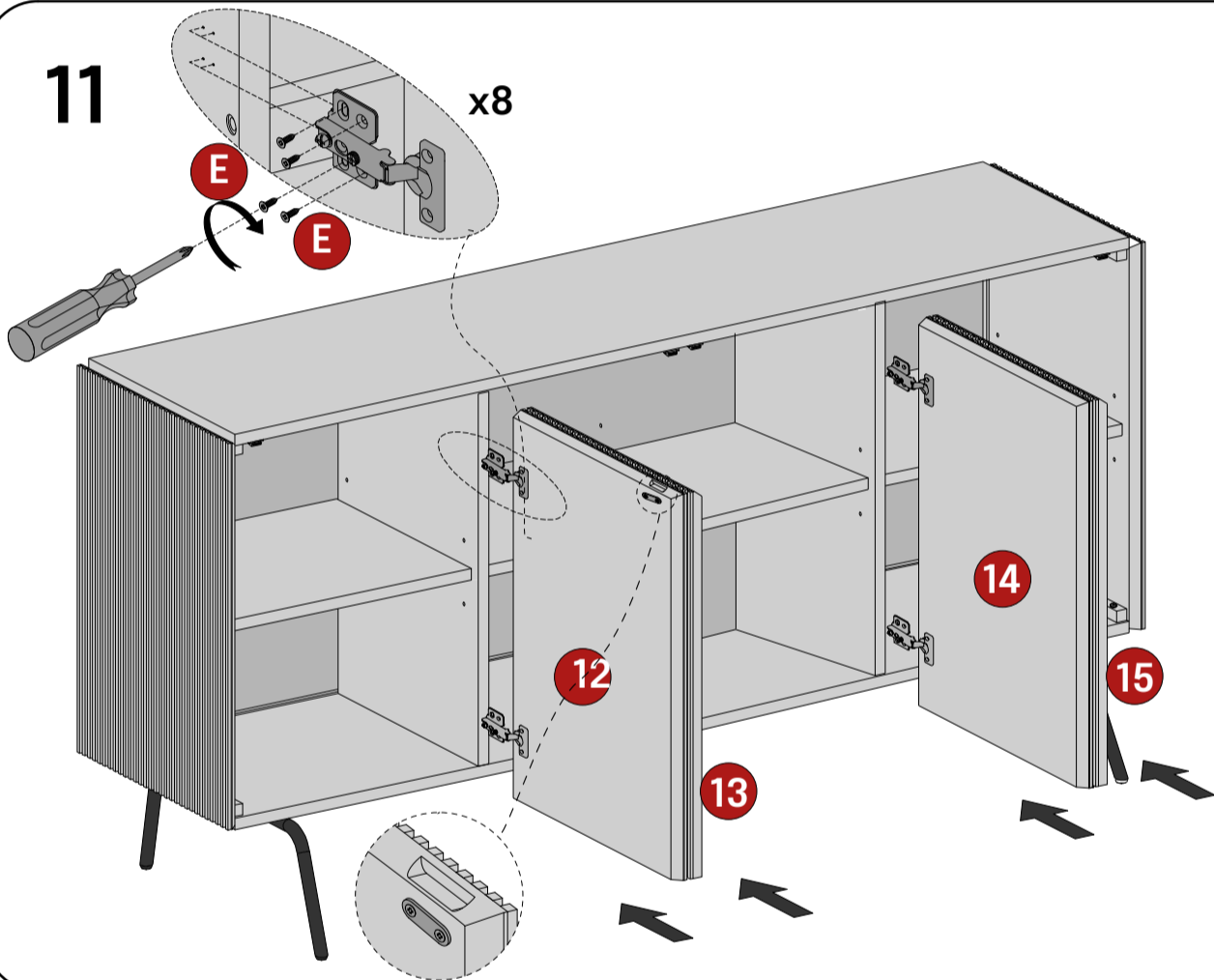
9



10

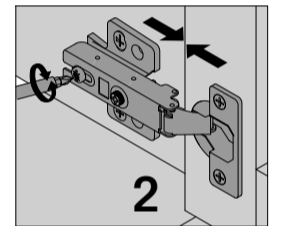
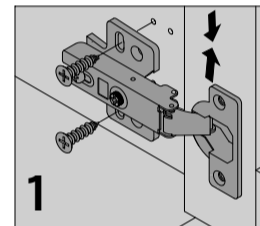


11



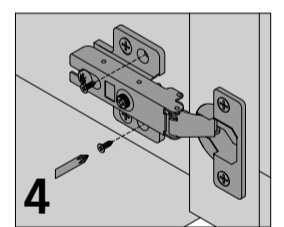
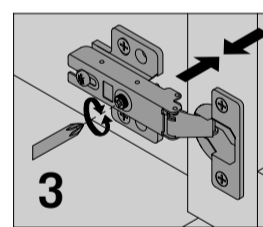
Regarding the installation and adjustment of the door hinge:

1. Use the "waist round hole" marked with a triangle to adjust the position of the door panel (ensure that the gap between the door panel and the upper and lower panels is consistent).
2. Use the screw at the back end of the hinge to adjust the front and back position of the door panel (ensure that the front of the door panel is in the same plane as the upper and lower panels).

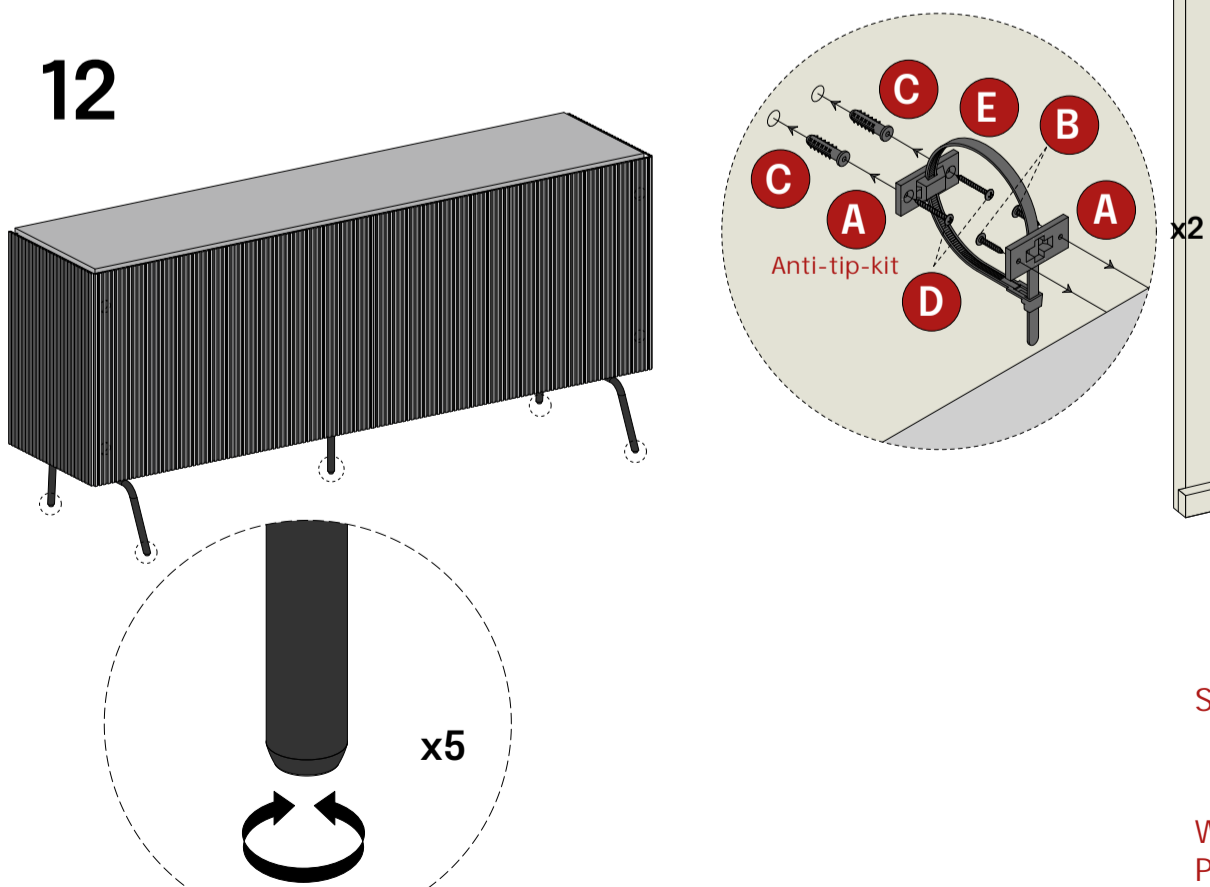


3. Use the screw at the front end of the hinge to adjust the left and right position of the door panel (ensure that the left and right sides of the door panel are in the same plane as the upper and lower panels).

4. After completing these three steps, secure the other two screws on the hinge.



12



! Adjust leveler for balance.

WARNING

Serious or fatal injuries can occur from furniture tipping over. To prevent the furniture from tipping over we recommend that it is permanently fixed to the wall.

Wall anchor and hardware are included with this product. Please make sure hardware is suitable for your walls before installing, as different wall materials may require different types of anchors.