

# KAPOOR LARGE PENDANT

VISUAL COMFORT & CO.

## PRODUCT FEATURES

- Hand-crafted by skilled Italian artisans
- As each piece is artisan made, slight variations are an inherent part of this hand-blown glass fixture
- Brass rings secure the power cord to the supporting aircraft cable adding a striking and complementary detail
- This item is made of natural brass. It is a living finish that will patina and warm with age which adds richness. If it gets an uneven patina or spots, a brass cleaner can restore the finish
- Fully dimmable LED lamping option allows you to create your desired ambiance
- Protected by a 1-year warranty



Clear



Clear



Opal



Transparent Smoke

## LAMPING

Includes 10.8 watts, 490 total delivered lumens, 2700K LED modules. Dimmable with most LED compatible ELV, TRIAC and 0-10V dimmers. Ships with 14 feet of field-cuttable black cloth cord. 120V-277V.

## ORDERING INFORMATION

700TDKPR	LENGTH (A)	FINISH	LAMP
	17 1/2"	CNB CLEAR/NATURAL BRASS	-LED927 INTEGRATED LED 90 CRI 2700K 120V-277V UNV
		OPNB OPAL/NATURAL BRASS	
		KNB TRANSPARENT SMOKE/NATURAL BRASS	

700TDKPR

JOB NAME

NOTES



© 2019 Tech Lighting, L.L.C. All rights reserved. The "Tech Lighting" graphic is a registered trademark of Tech Lighting, L.L.C. Tech Lighting reserves the right to change specifications for product improvements without notification.

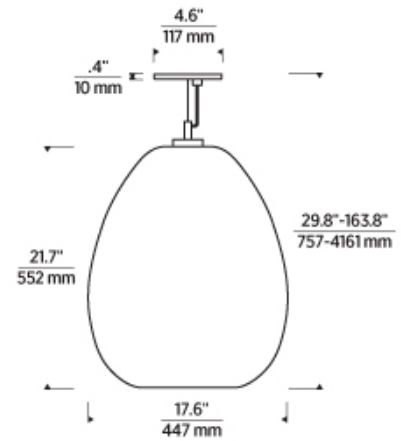
7400 Linder Avenue, Skokie, IL 60077  
T 847.410.4400 | F 847.410.4500 | techlighting.com

# KAPOOR LARGE PENDANT

VISUAL COMFORT & Co.

## SPECIFICATIONS

PRIMARY MATERIAL	Brass
SHADE MATERIAL	Glass
NET WEIGHT	
HEIGHT	21.7in
WIDTH	17.5in
LENGTH	17.5in
UP LIGHT / DOWN LIGHT / BOTH?	
WET LISTED	
DAMP LISTED	
DRY LISTED	
MIN. HANGING HEIGHT	29.8in
MAX HANGING HEIGHT	163.8in
TOTAL CORD LENGTH	168in
TOTAL STEM LENGTH	
STEM QTY	
SLOPED CEILING ADAPTABLE?	Yes 45° Max
GENERAL LISTING	ETL Listed
INCLUDES	



## LAMPING SPECIFICATIONS

	LED LAMP	INTEGRATED LED	NON LED	NO LAMP
DELIVERED LUMENS		490		
WATTS		10.8		
MAX WATTAGE PER BULB		10.8W		
		Universal 120V-277V 0-10, ELV, TRIAC		
CCT		2700K		
CRI		90 CRI		
LED LIFETIME		>50000		
L70				
AVERAGE BULB HOURS				
FIELD SERVICEABLE LED				
LAMP BASE		Integrated LED		
LAMP SHAPE		Integrated LED		
LAMP INCLUDED?		True		
WARRANTY**		5 Years		

\* Dimming information available at [www.techlighting.com/Downloads#dimming](http://www.techlighting.com/Downloads#dimming)

\*\* Visit [techlighting.com](http://techlighting.com) for specific warranty limitations and details.

## T20 / T24 / JA8 INFORMATION

	Integrated LED	Replacement LED Lamp	No Lamp *
This product can be used to comply with California Building Energy Efficiency Standards 2016 Title 24 Part 6 / JA8.	Yes		
This product can be used to comply with California Appliance Efficiency Standards 2016 Title 20 and may be shipped to and sold in California.	N/A		

\* If a light fixture or component does not include a lamp or light source, it is the responsibility of the customer to select a lamp that meets the T24 and T20 requirements.

