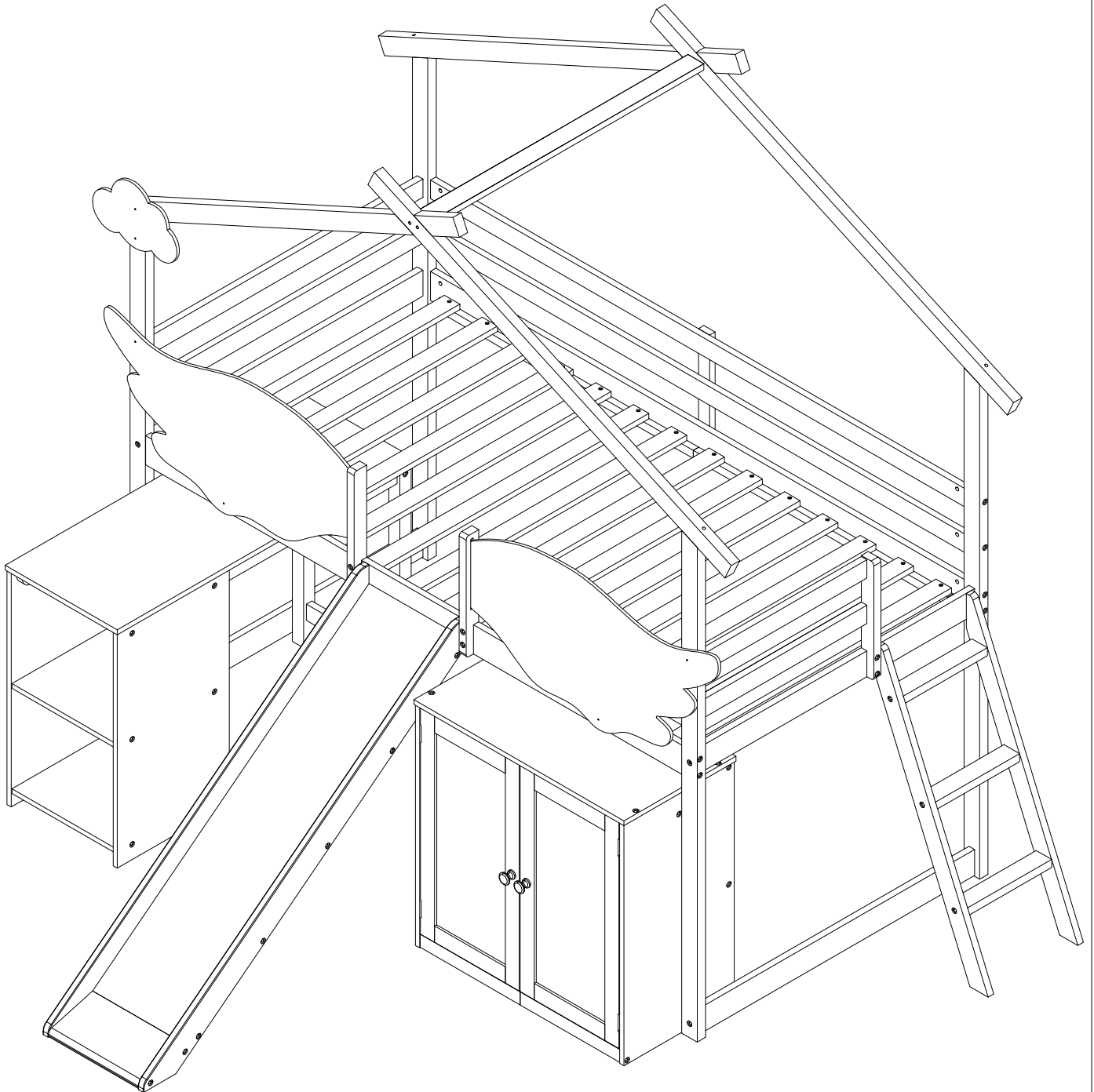


# ASSEMBLY INSTRUCTION

SKU CODE: (WF305995-WF305996)

**This set is included 2 boxes if don't receive full 2 boxes please contact our customer service team**



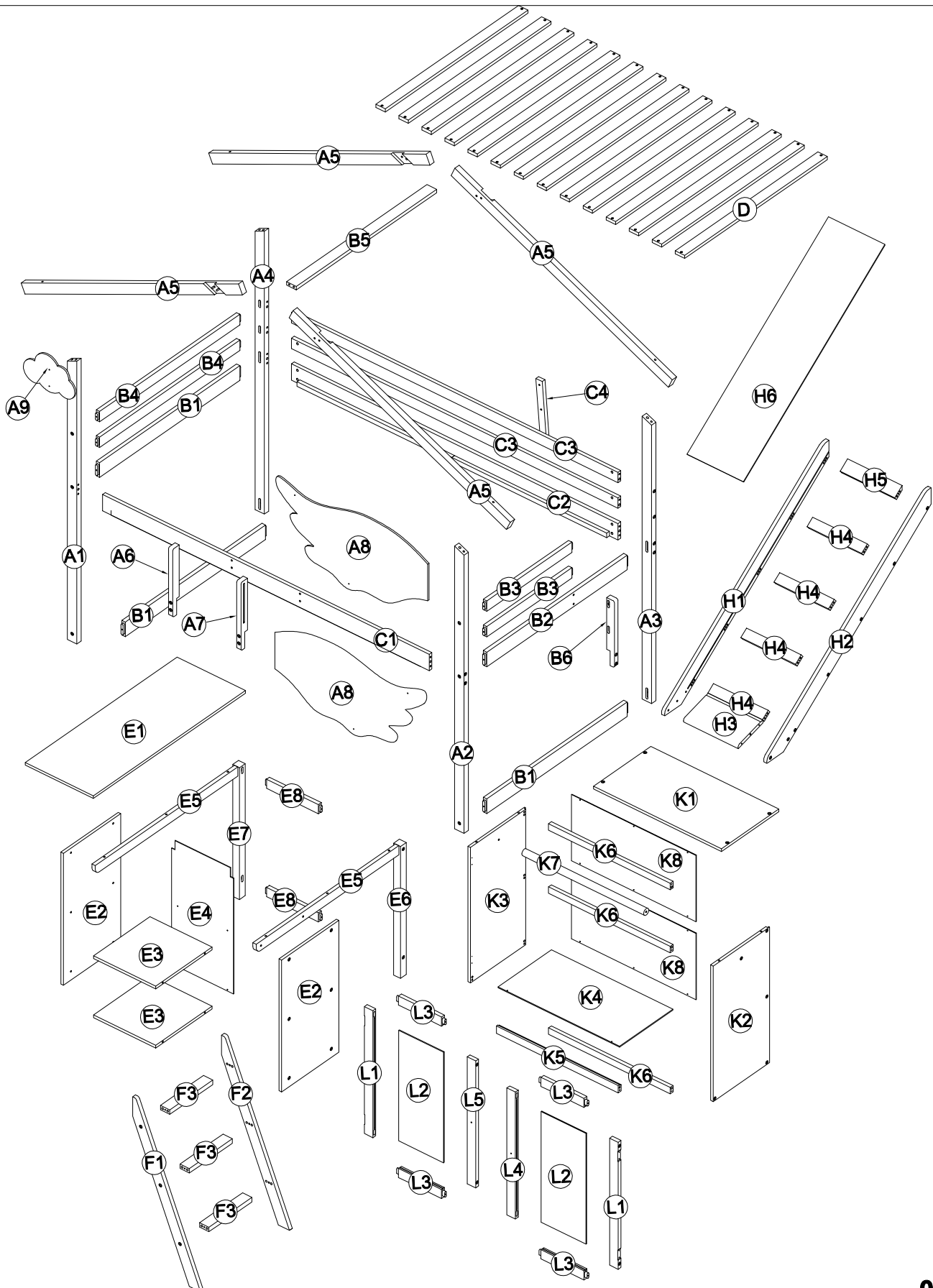
# **! SAFETY WARNINGS !**

1. This bed is designed for use only mattress (es) meeting the following specifications on the upper bunk, and lower bunk








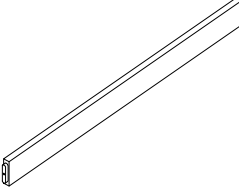
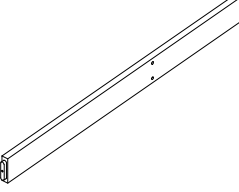
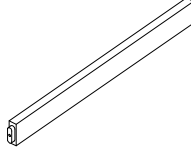
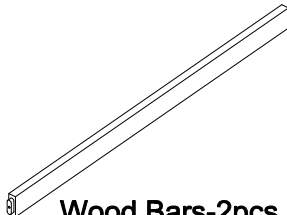
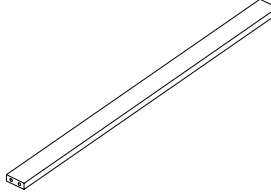
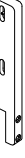
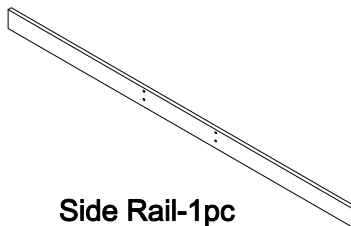
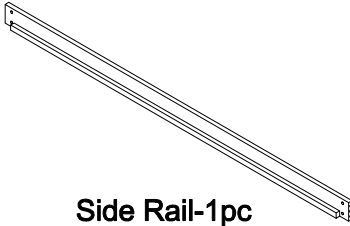
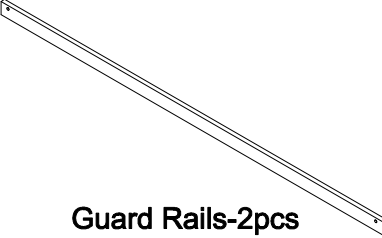

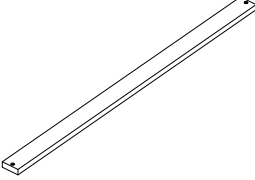
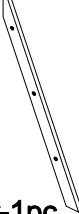
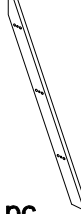
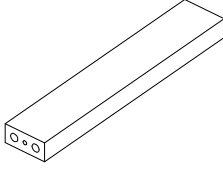
<b>Bed Type</b>	<b>Length</b>	<b>Width</b>	<b>Thickness</b>
<i>Twin Standard</i>	<i>74" - 75"</i>	<i>38 1/2"</i>	<i>6" max</i>

2. Replacement parts, including additional guardrails, maybe obtained from any of our (GIGACLOUD TECHNOLOGY (USA) INC. 18961 ARENTH AVENUE CITY OF INDUSTRY, CA, 91748) dealers
3. Follow the information on the warnings appearing on the upper bunk bed end structure and on the carton. Do not remove warning label from bed
4. Always use the recommended size mattresses or mattress supports, or both, to help prevent the likelihood of entrapment or falls.
5. Surface of mattress must be at least 5" (127mm) below the upper edge of guardrails
6. Do not allow children under 6 years of age to use the upper bunk.
7. Periodically check and ensure that the guardrail, ladder, and other components are in their proper position, free from damage, and that all connectors are tight.
8. Do not allow horseplay on or under the bed and prohibit jumping on the bed.
9. Always use the ladder for entering and leaving the upper bunkAlways use the ladder for entering and leaving the upper bunk.
10. Do not use substitute part. Contact the manufacture or dealer for replacement part
11. Use of a night light may provide added safety precaution for a child using the upper bunk..
12. Always use guardrails on both long sides of the upper bunk. If the bunk bed will be placed next to the wall, the guardrail that runs the full length of the bed should be placed against the wall to prevent entrapment between the bed and wall.
13. The use of water or sleep flotation mattresses is prohibited
14. STRANGULATION HAZARD - Never attach or hang items to any part of the bunk bed that are not designed for use with the bed; for example, but not limited to, hook, belts and jump ropes
15. Keep these instruction for future reference
16. Prohibit more than one person on upper bunk
17. We recommend assembling your bunk bed on the shipping carton to protect your floor or carpet
18. Be certain all staples are out of the box before beginning assembly on the shipping carton.

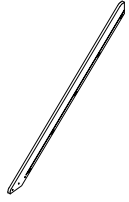
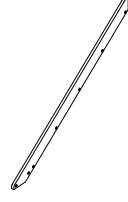
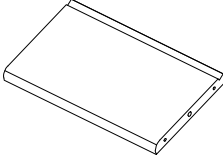
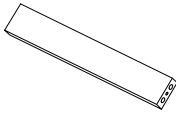
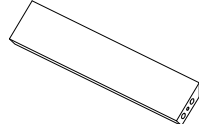
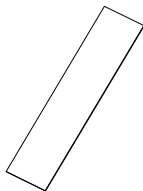
# ASSEMBLY INSTRUCTION



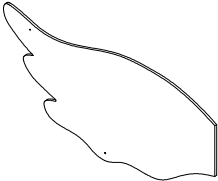
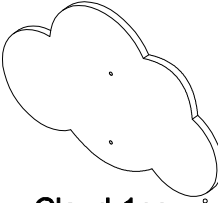
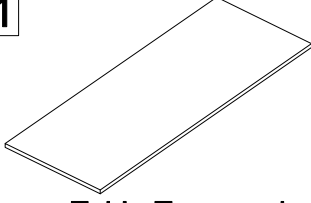

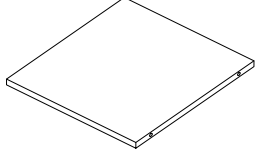
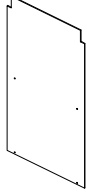
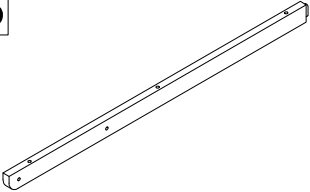


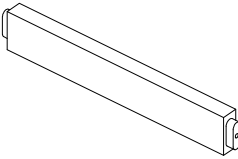
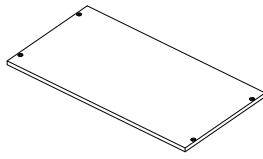
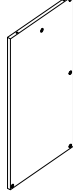
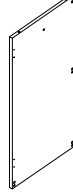
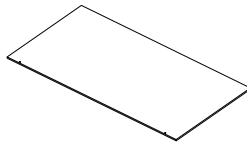
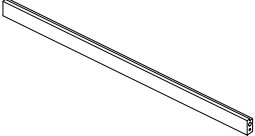
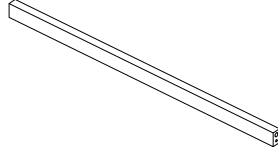
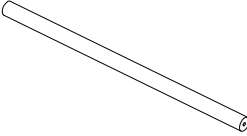
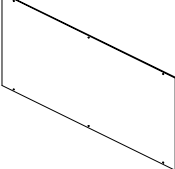


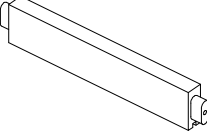
# Part List & Hardware List (Box 1-WF305995)

<p><b>A1</b></p>  <p>Leg-1pc</p>	<p><b>A2</b></p>  <p>Leg-1pc</p>	<p><b>A3</b></p>  <p>Leg-1pc</p>
<p><b>A4</b></p>  <p>Leg-1pc</p>	<p><b>A5</b></p>  <p>Rooftop Bars-4pcs</p>	<p><b>A6</b></p>  <p>Rail-1pc</p>
<p><b>A7</b></p>  <p>Rail-1pc</p>	<p><b>B1</b></p>  <p>Wood Bars-3pcs</p>	<p><b>B2</b></p>  <p>Wood Bar-1pc</p>
<p><b>B3</b></p>  <p>Wood Bars-2pcs</p>	<p><b>B4</b></p>  <p>Wood Bars-2pcs</p>	<p><b>B5</b></p>  <p>Rooftop Bar-1pc</p>
<p><b>B6</b></p>  <p>Rail-1pc</p>	<p><b>C1</b></p>  <p>Side Rail-1pc</p>	<p><b>C2</b></p>  <p>Side Rail-1pc</p>
<p><b>C3</b></p>  <p>Guard Rails-2pcs</p>	<p><b>C4</b></p>  <p>Rail-1pc</p>	<p><b>D</b></p>  <p>Slats-14pcs</p>
<p><b>F1</b></p>  <p>Side Stair-1pc</p>	<p><b>F2</b></p>  <p>Side Stair-1pc</p>	<p><b>F3</b></p>  <p>Step Stairs-3pcs</p>

# Part List & Hardware List (Box 1-WF305995)

<b>H1</b>  Slide-Side Wood bar-1pc	<b>H2</b>  Slide-Side Wood bar-1pc	<b>H3</b>  Slide-Wood bar-1pc
<b>H4</b>  Slide-Wood bars-4pcs	<b>H5</b>  Slide-Wood bar-1pc	<b>H6</b>  Slide-Panel-1pc

# Part List (Box 2-WF305996)

<p><b>A8</b></p>  <p>Panels-2pcs</p>	<p><b>A9</b></p>  <p>Cloud-1pc</p>	<p><b>E1</b></p>  <p>Table-Top panel -1pc</p>
<p><b>E2</b></p>  <p>Table-Side panels -2pcs</p>	<p><b>E3</b></p>  <p>Table-Bottom panels-2pcs</p>	<p><b>E4</b></p>  <p>Table-Back panel-1pc</p>
<p><b>E5</b></p>  <p>Table-Side Wood bars-2pcs</p>	<p><b>E6</b></p>  <p>Table-Leg-1pc</p>	<p><b>E7</b></p>  <p>Table-Leg-1pc</p>
<p><b>E8</b></p>  <p>Table-Side Wood bars-2pcs</p>	<p><b>K1</b></p>  <p>Chest-Top Panel-1pc</p>	<p><b>K2</b></p>  <p>Chest-Side Panel-1pc</p>
<p><b>K3</b></p>  <p>Chest-Side Panel-1pc</p>	<p><b>K4</b></p>  <p>Chest-Side Panel-1pc</p>	<p><b>K5</b></p>  <p>Chest-Wood bar-1pc</p>
<p><b>K6</b></p>  <p>Chest-Wood bars-3pcs</p>	<p><b>K7</b></p>  <p>Chest-Cicle Wood bar-1pc</p>	<p><b>K8</b></p>  <p>Chest-Back Panels-2pcs</p>
<p><b>L1</b></p>  <p>Door-Vetical Bars-2pcs</p>	<p><b>L2</b></p>  <p>Door-Panels-2pcs</p>	<p><b>L3</b></p>  <p>Door-Horizontal Bars-4pcs</p>

# Part List (Box 2-WF305996)

L4



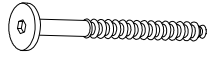
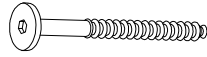


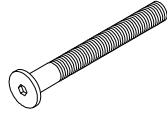

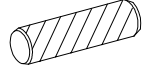
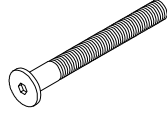
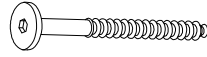
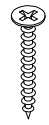
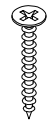
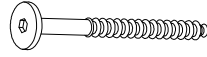
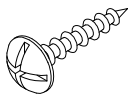
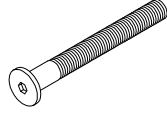
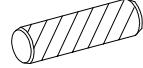
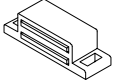

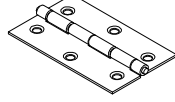
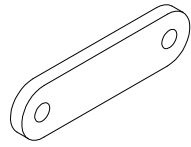

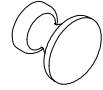
Door-Vetical Bar-1pc

L5



Door-Vetical Bar-1pc

# Hardware List (Box 1-WF305995)

<p><b>1</b></p>  <p><b>Screws 1/4"x80mm 4pcs</b></p>	<p><b>2</b></p>  <p><b>Screws 1/4"x50mm 32pcs</b></p>	<p><b>3</b></p>  <p><b>Ø1/4" x 15 mm Canopy head through -6pcs</b></p>
<p><b>4</b></p>  <p><b>Ø1/4" x 30mm Hex-Head bolts 22pcs</b></p>	<p><b>5</b></p>  <p><b>Ø1/4" x 70 mm Hex-Head bolts 4pcs</b></p>	<p><b>6</b></p>  <p><b>Ø1/4" x 13 mm Horizontal-Hole bolts 16pcs</b></p>
<p><b>7</b></p>  <p><b>Ø10 x 40 mm Wood dowel 24pcs</b></p>	<p><b>8</b></p>  <p><b>Ø1/4" x 100 mm Hex-Head bolts 12pcs</b></p>	<p><b>9</b></p>  <p><b>Screws 1/4"x30mm 3pcs</b></p>
<p><b>10</b></p>  <p><b>M4 x 25 mm Wood Screws 6pcs</b></p>	<p><b>11</b></p>  <p><b>M4 x 30 mm Wood Screws 28pcs</b></p>	<p><b>12</b></p>  <p><b>Screws 1/4"x60mm 14pcs</b></p>
<p><b>13</b></p>  <p><b>M4 x 15 mm Wood Screws 34pcs</b></p>	<p><b>14</b></p>  <p><b>Ø1/4" x 55 mm Hex-Head bolts 6pcs</b></p>	<p><b>15</b></p>  <p><b>Ø8 x 30 mm Wood dowel 30pcs</b></p>
<p><b>16</b></p>  <p><b>Door Catches(45x17x13) 2pcs</b></p>	<p><b>17</b></p>  <p><b>M3 x 12 mm Wood Screws 28pcs</b></p>	<p><b>18</b></p>  <p><b>Leaf hinge 4pcs</b></p>
<p><b>19</b></p>  <p><b>Magnet Inhaler -2pcs</b></p>	<p><b>20</b></p>  <p><b>Ø1/6" x 25 mm Hex-Head bolts 2pcs</b></p>	<p><b>21</b></p>  <p><b>Handle Wood 2pcs</b></p>

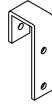
# Hardware List (Box 1-WF305995)

22



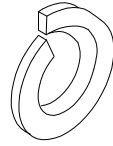
M4 x 20 mm  
Wood Screws 12pcs

23



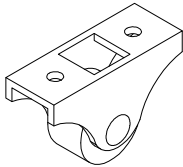
Bracket  
4 pcs

24



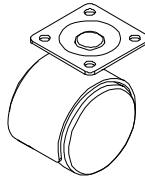
Washer  $\text{Ø}10/\text{Ø}6 \times 2$   
14pcs

25



Wheels 2pcs  
(L35xH28mm)

26



The wheel has a lock (2pcs)

27

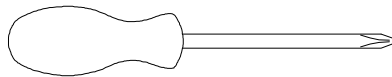


Screws 1/4"x40mm  
10pcs

28



Allen Key 1pc



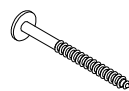
**Assembly Tools Required (Not Included)**

# STEP 1: Following below illustration:

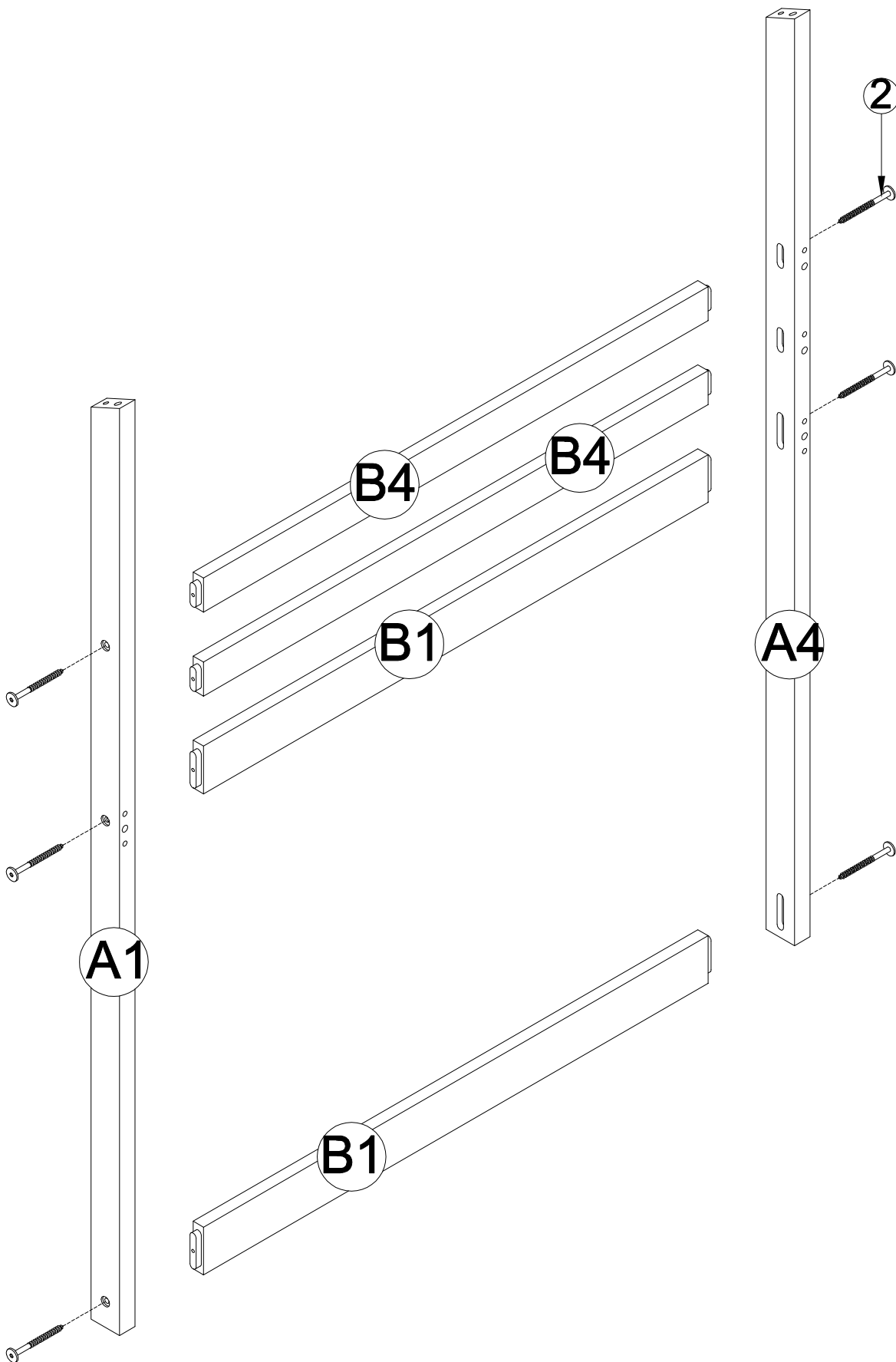
-Using hardward #2 to Connect A1,A4 Legs With B1(x2),B4(x2) Wood Bars

-Look at detail view for more detail

2

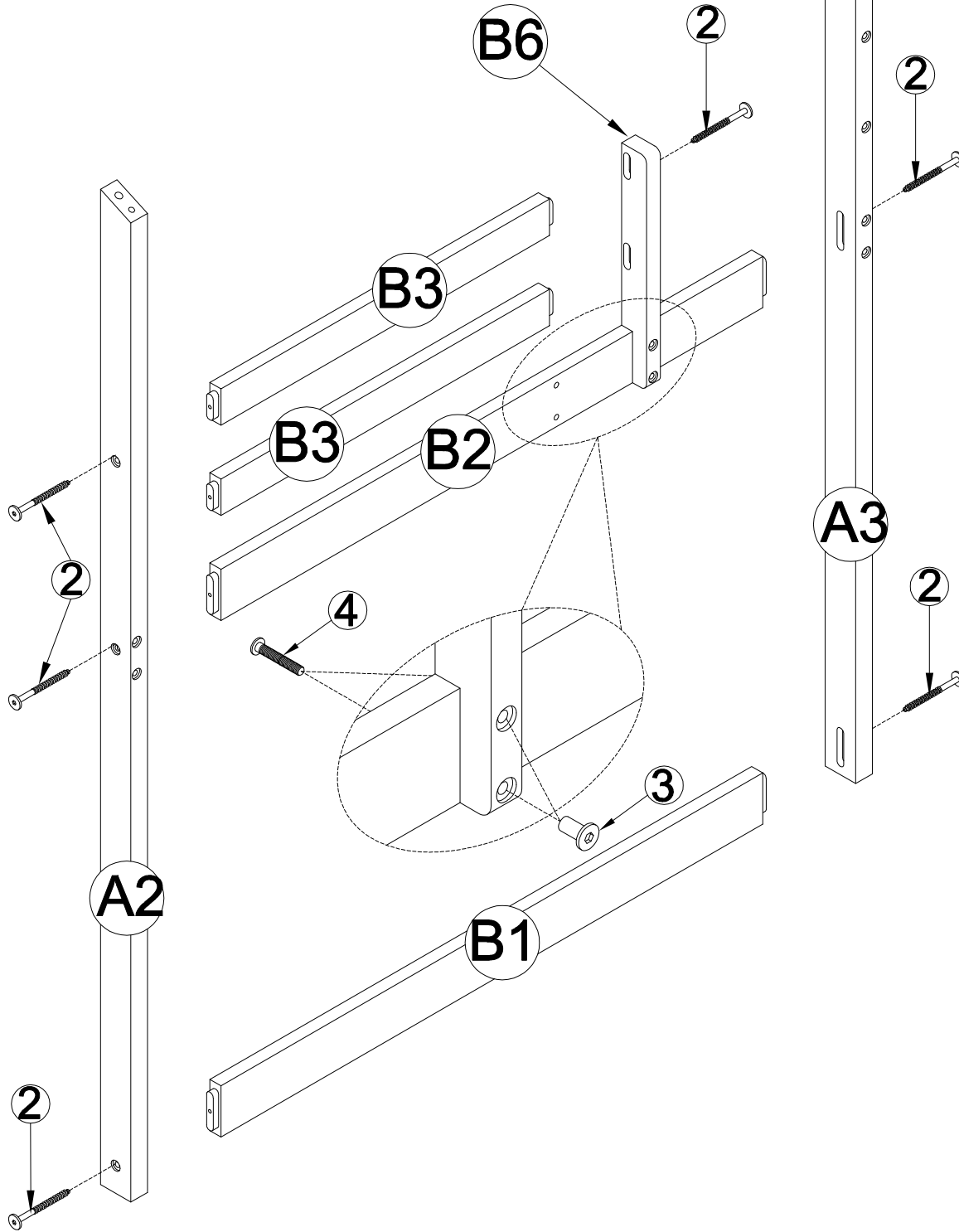


6pcs




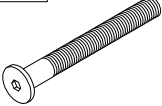
# STEP 2: Following below illustration:

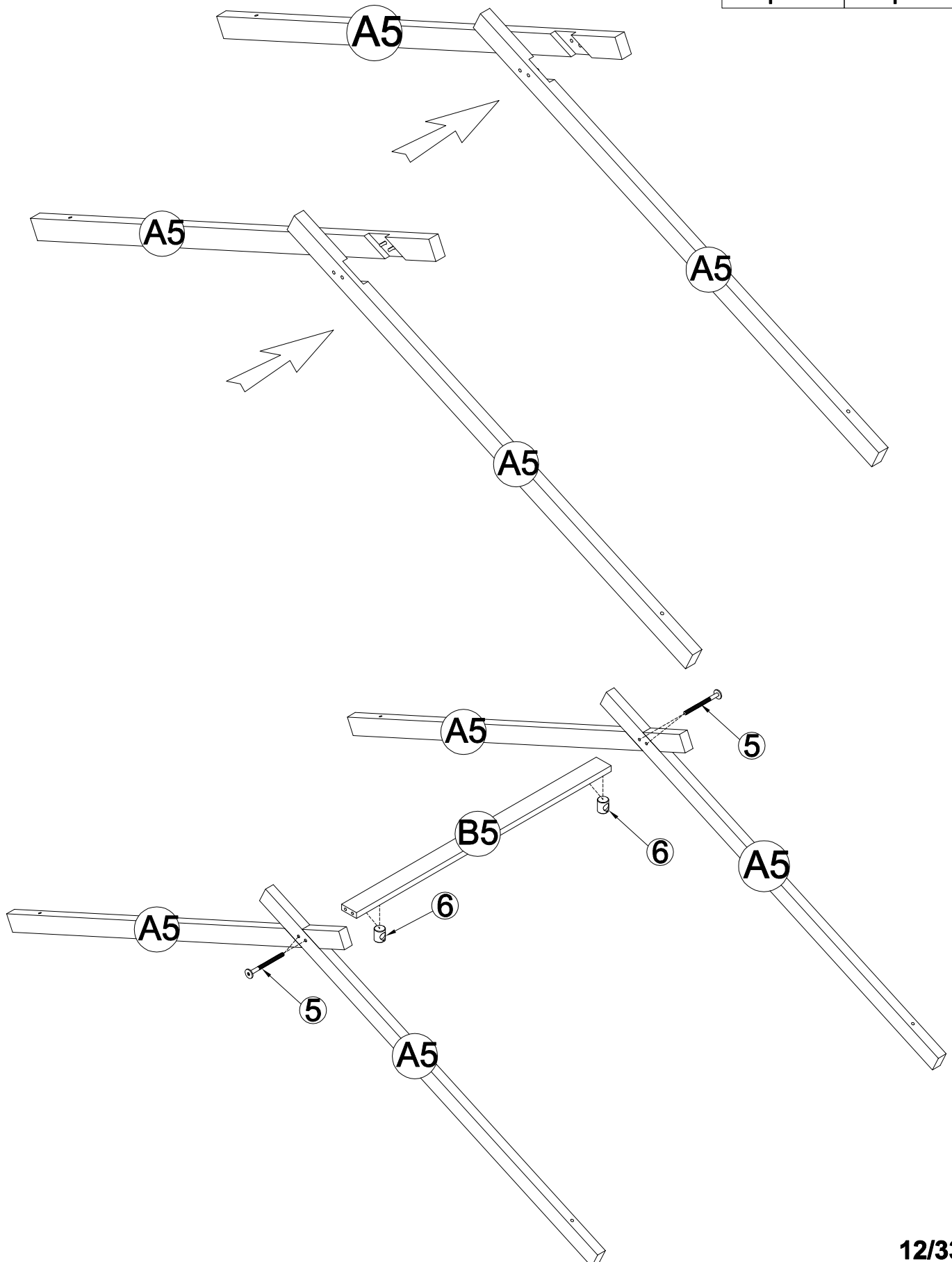
- 2.1: Using hardware #2 to Connect A2, A3 Legs With B1, B2, B3(x2) Wood Bars and B6 Rail
  - 2.2: Using hardware #3, #4 to Connect B6 Rail With B2 Wood Bar
- Look at detail view for more detail



2	
6pcs	
3	
2pcs	
4	
2pcs	

# STEP 3: Following below illustration:


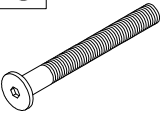

6	5
	
4pcs	4pcs

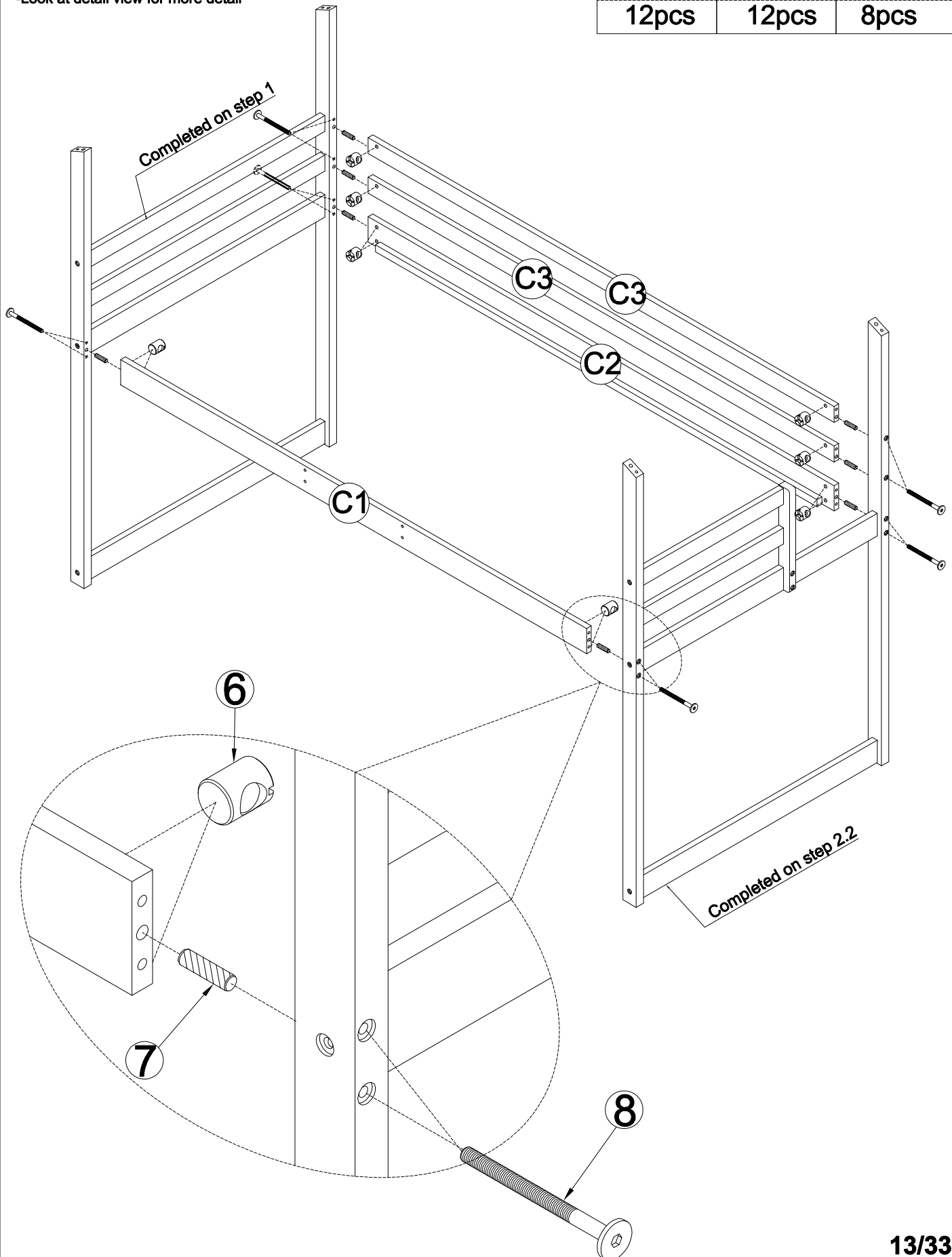


# STEP 4: Following below illustration:

-Using hardware #6,#8 and dowel 7 to Assembly Frames (Completed on step 1,step 2.2)  
With C1,C2 Side Rails and C3(x2) Guard Rails




-Look at detail view for more detail

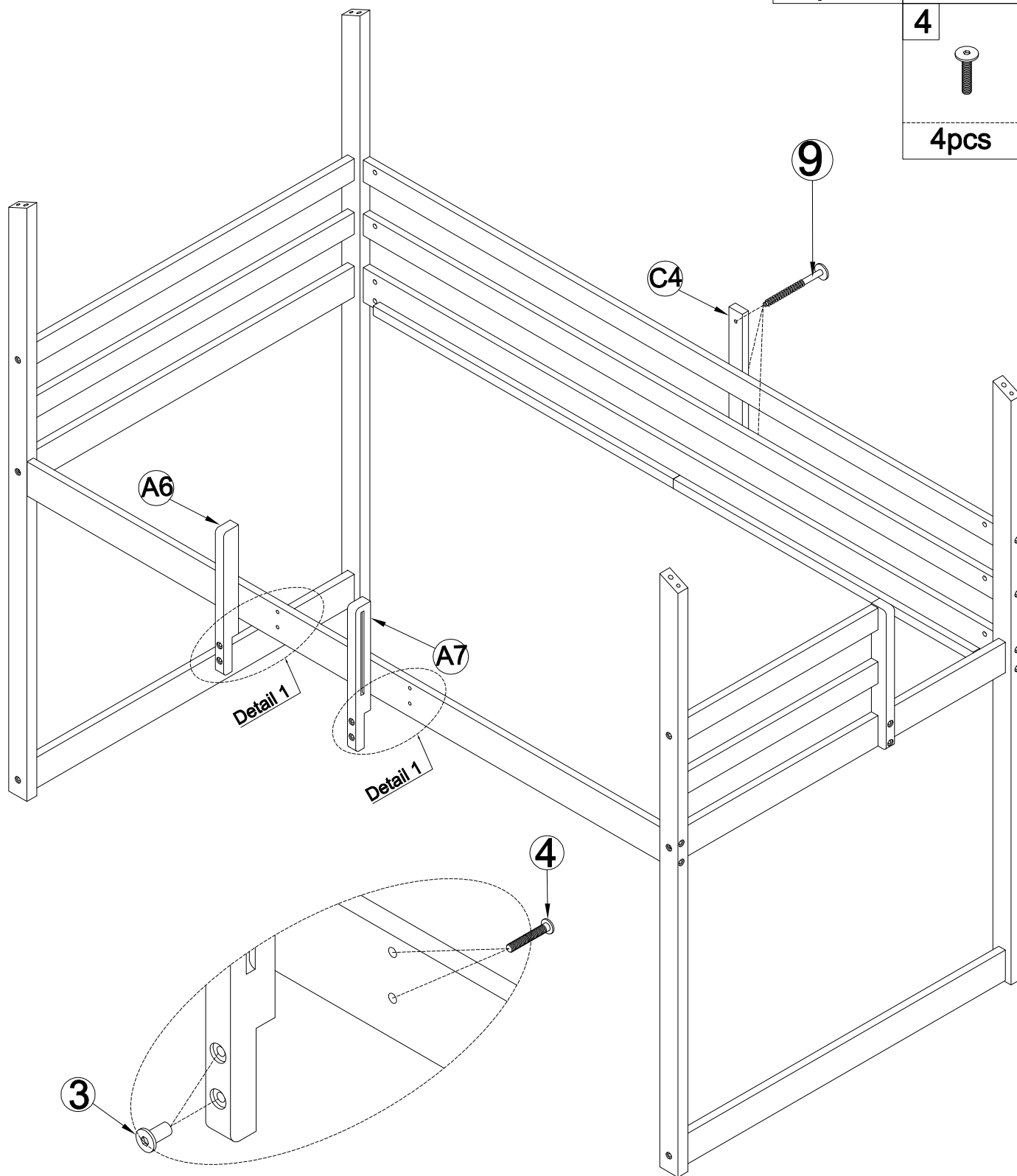
6	8	7
		
12pcs	12pcs	8pcs



# STEP 5: Following below illustration:


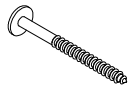
- Using hardware #3,#4 to Connect Frame(Completed on step 4) With A6,A7 Rails
- Using hardware #9 to Connect Frame(Completed on step 4) With C4 Rail
- Look at detail view for more detail

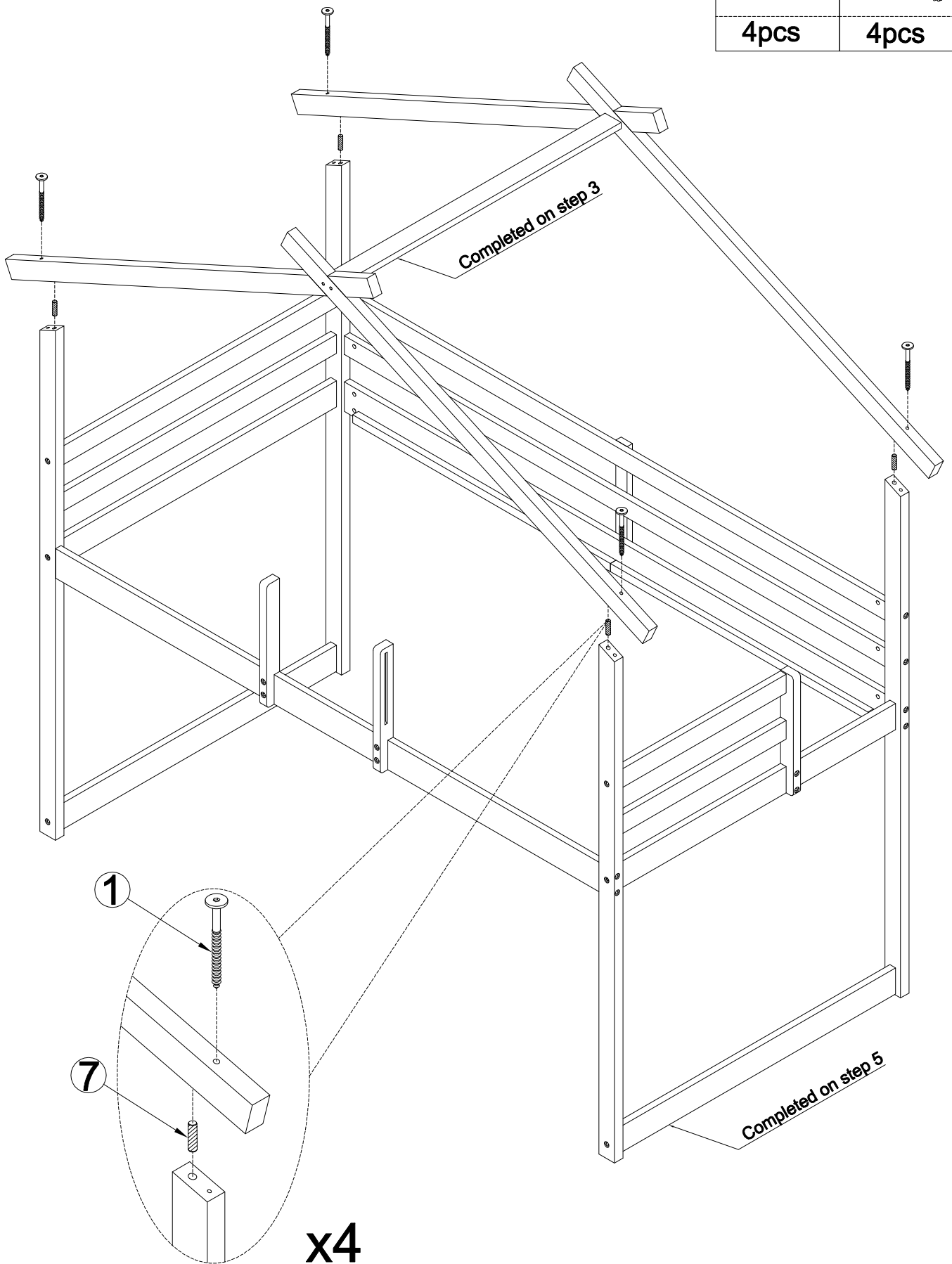
9	3
	
3pcs	4pcs
4	
4pcs	




Detail 2  
(x2)

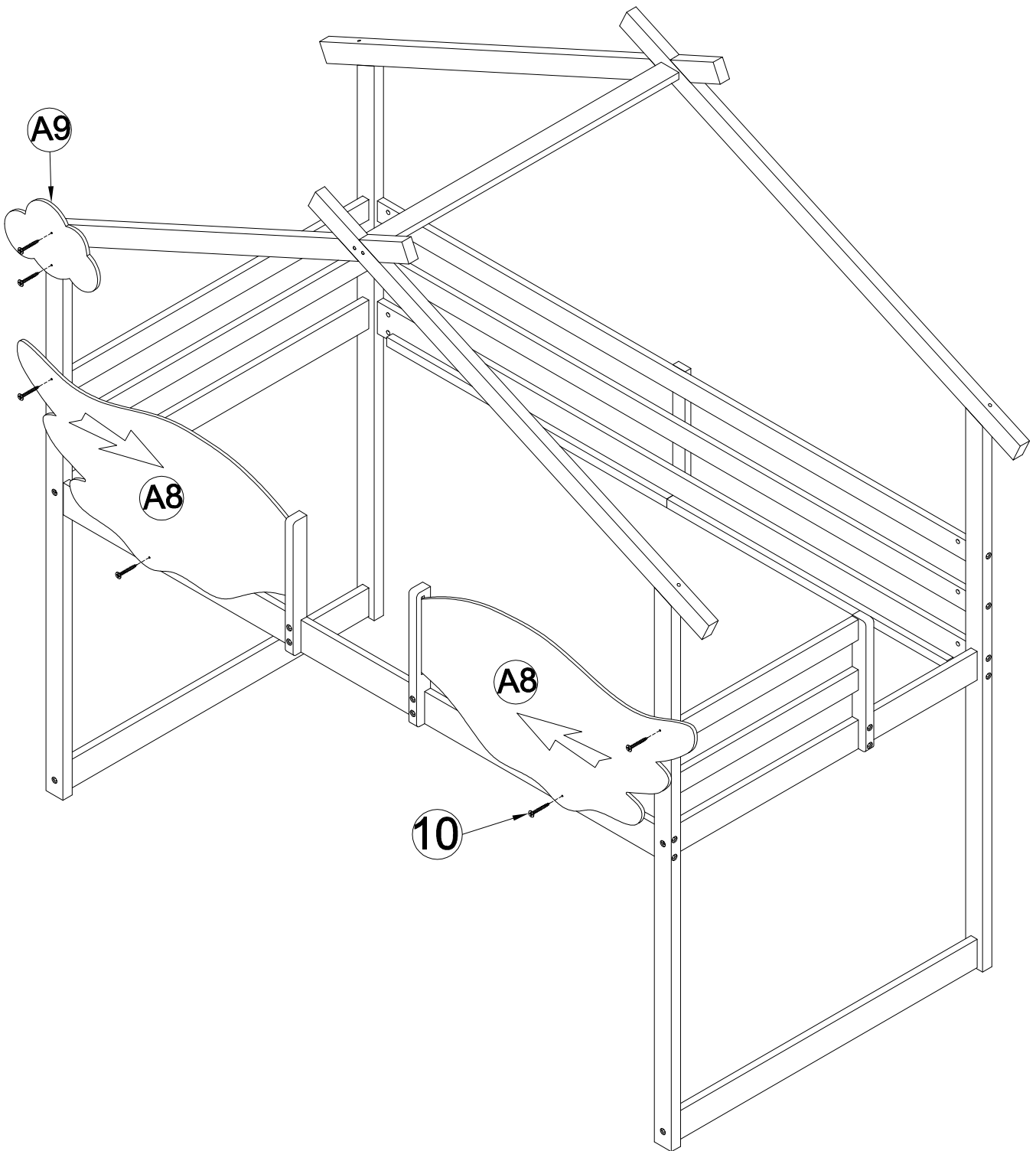
# STEP 6: Following below illustration:

7		1	
4pcs		4pcs	



**STEP 7:** Following below illustration:

<b>10</b>	
<b>6pcs</b>	



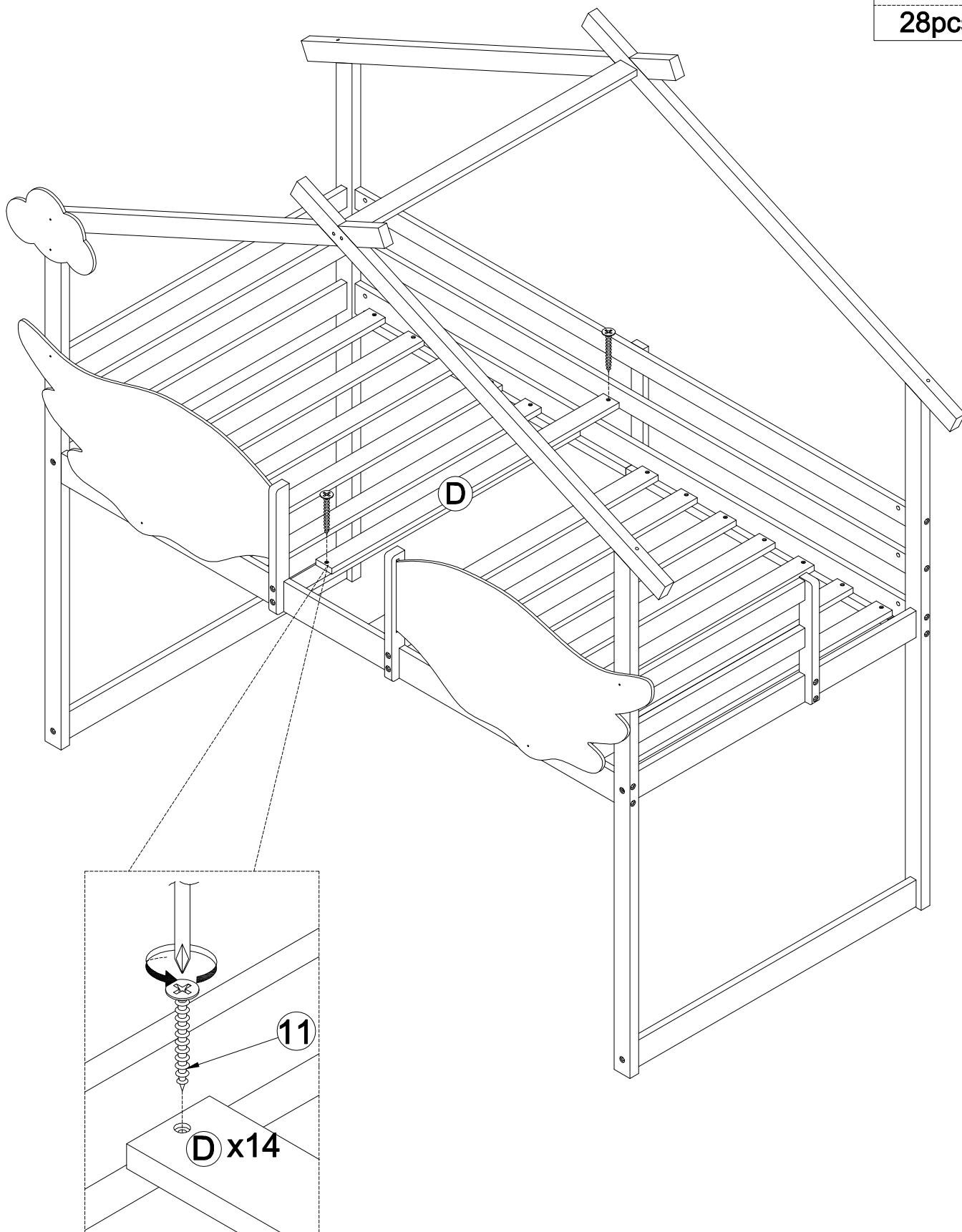
# STEP 8: Following below illustration:

-Screw slats D(x14) with Side Rail C1,C2 by using hardward #11.

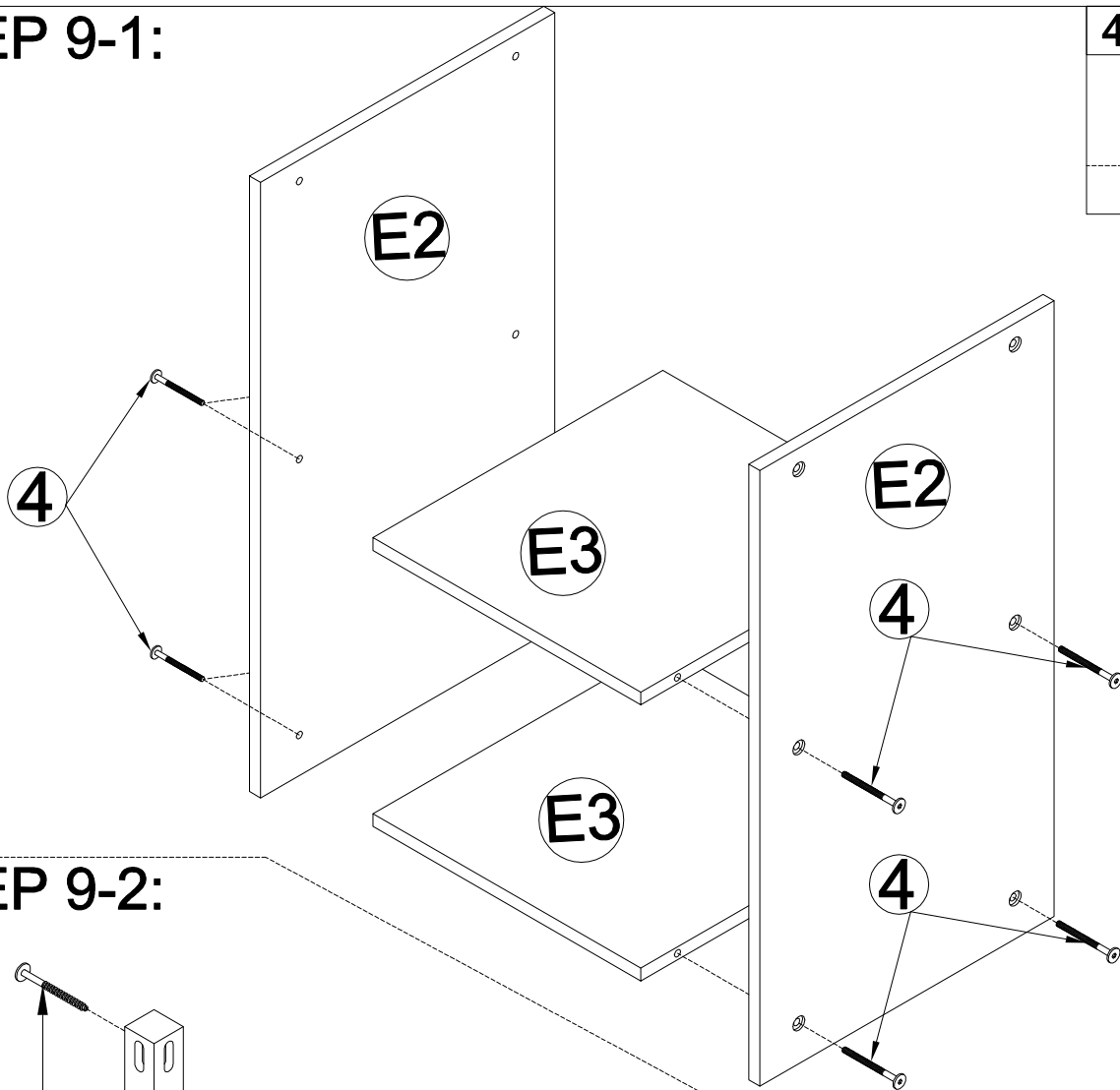
11



28pcs



# STEP 9-1:

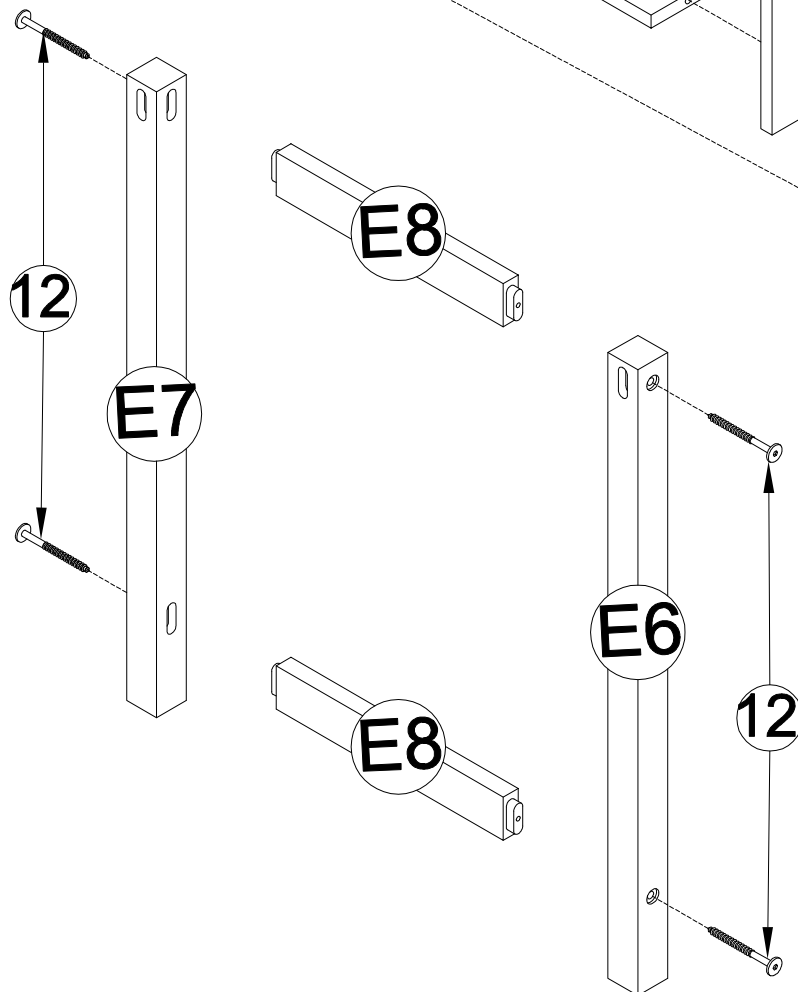


4

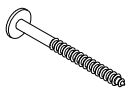


8pcs

# STEP 9-2:

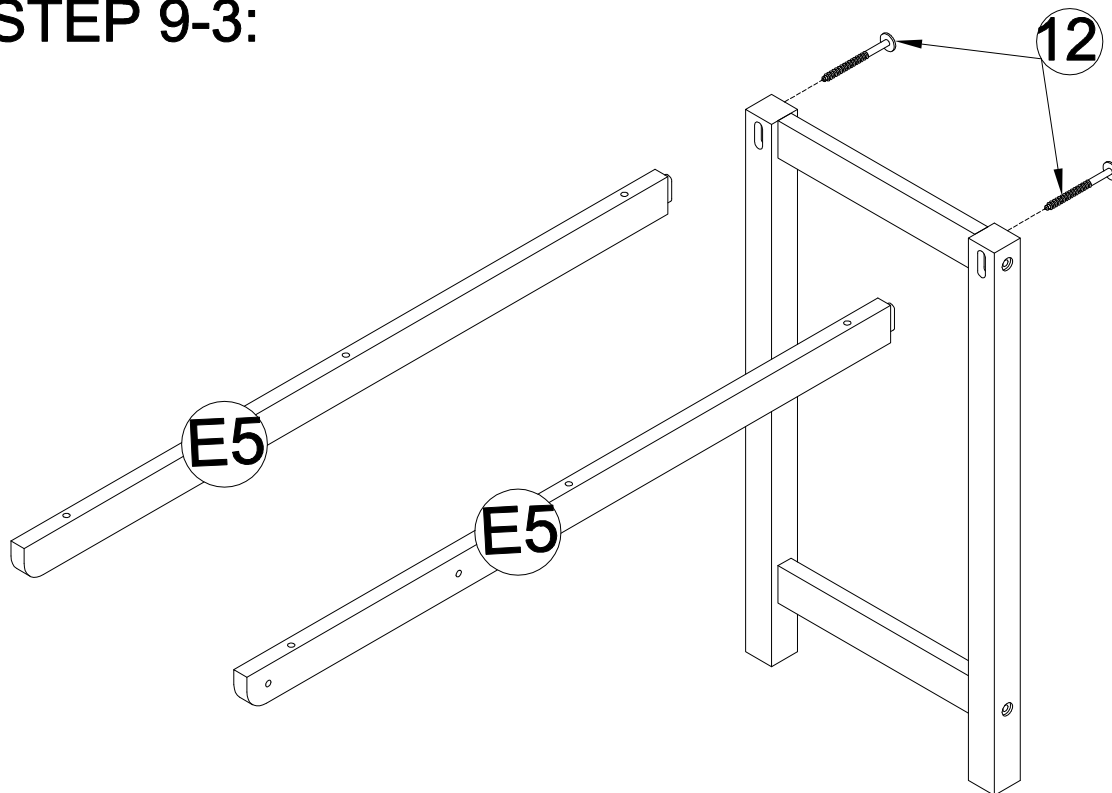


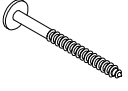
12



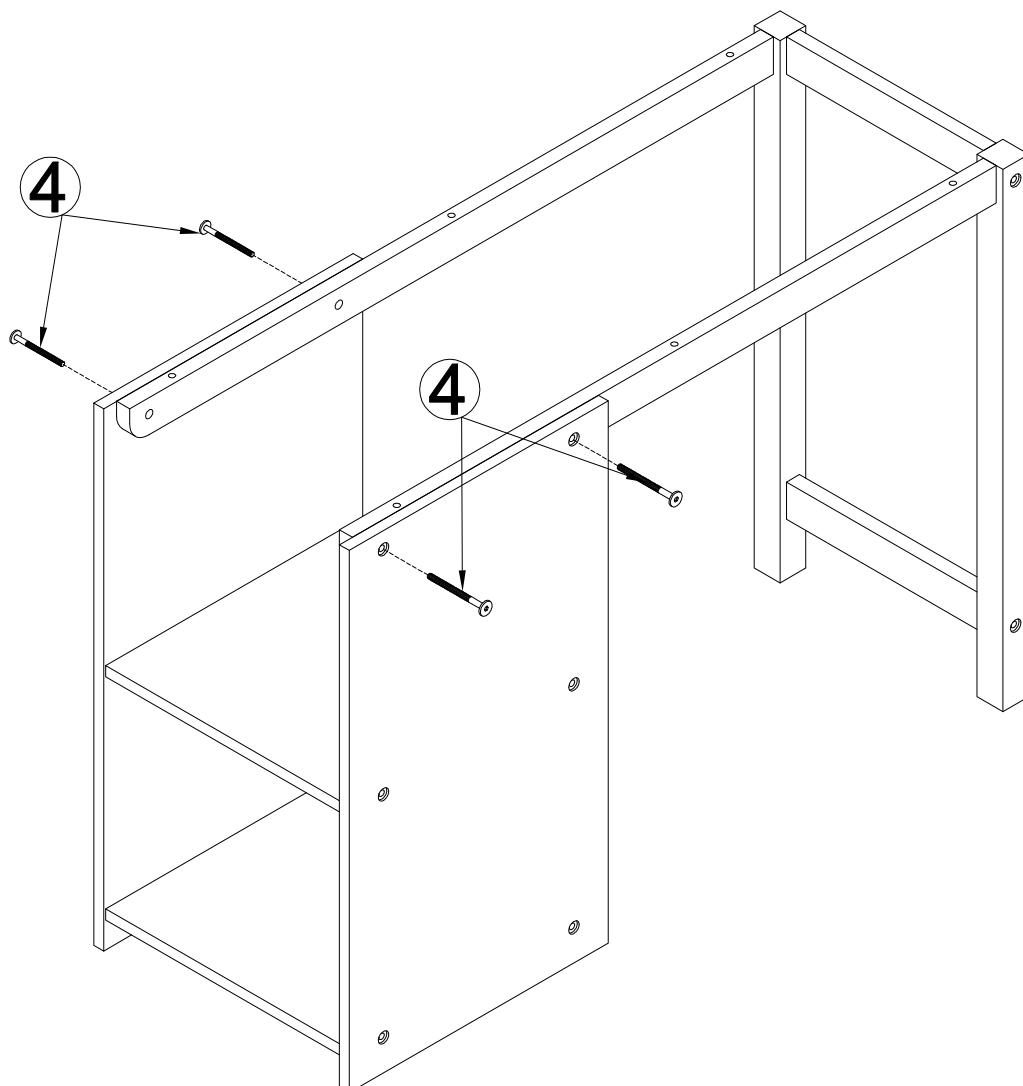
4pcs


### STEP 9-3:



12

2pcs

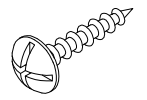
### STEP 9-4:



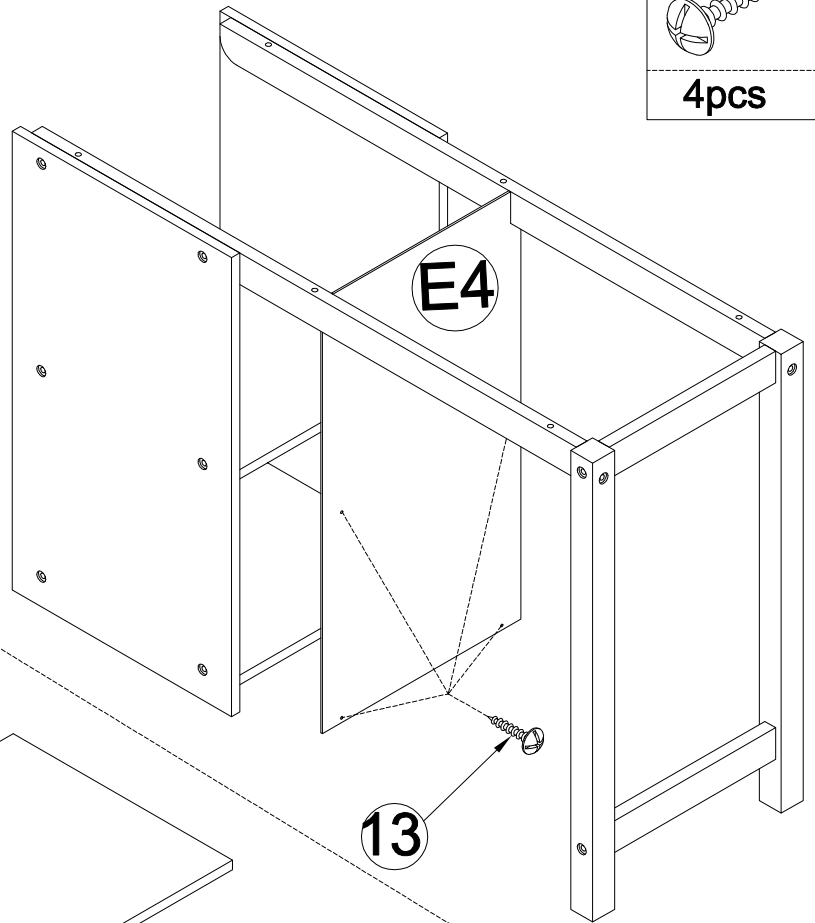
4

4pcs

# STEP 9-5:

13



4pcs



# STEP 9-6:

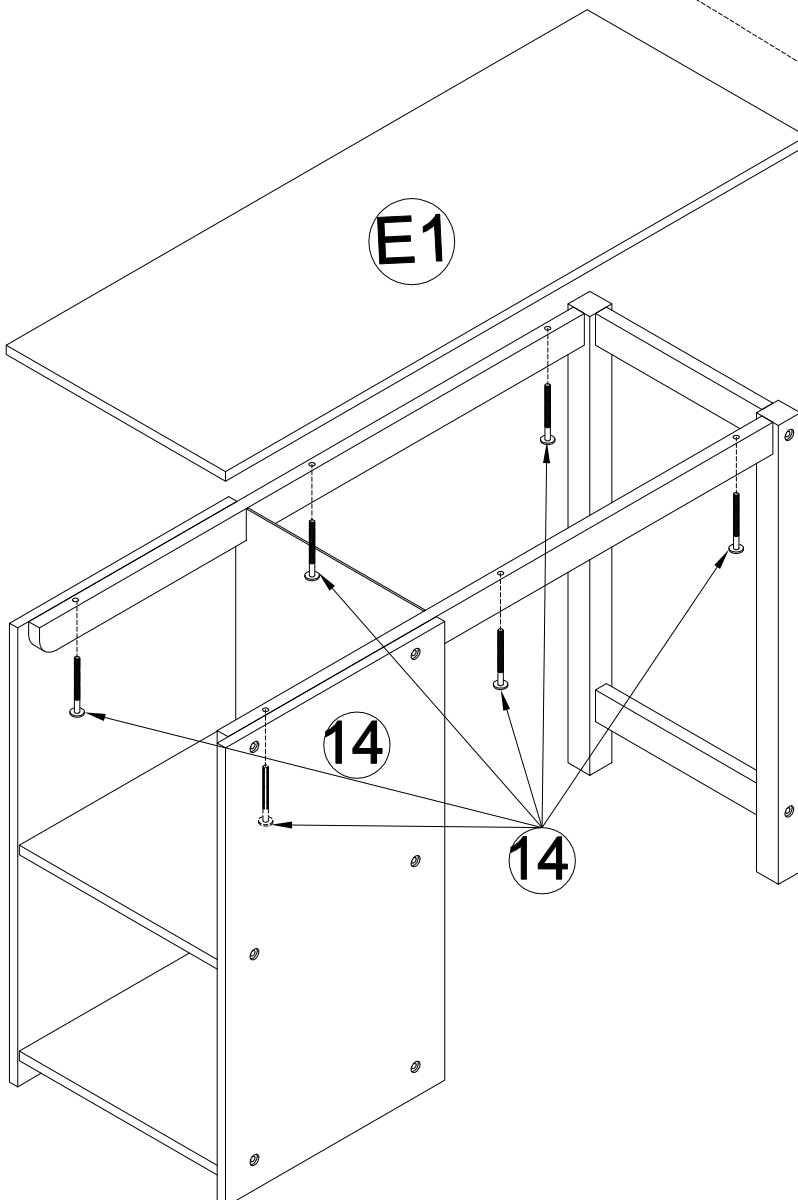
13

E1

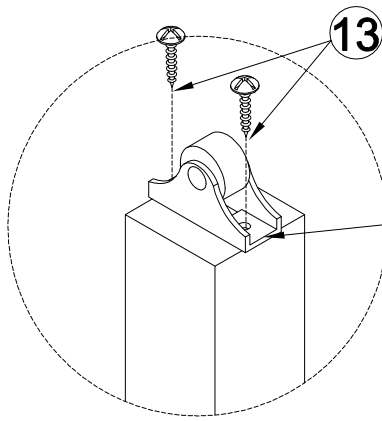
14



6pcs



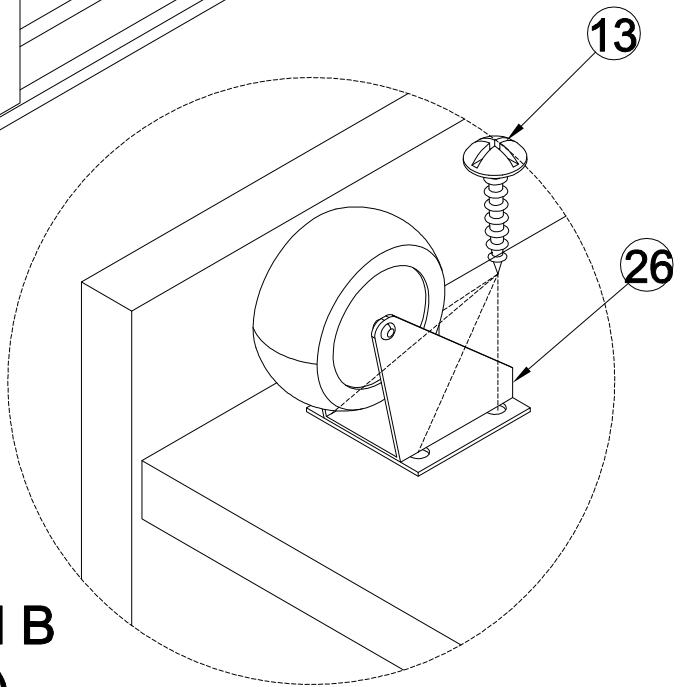
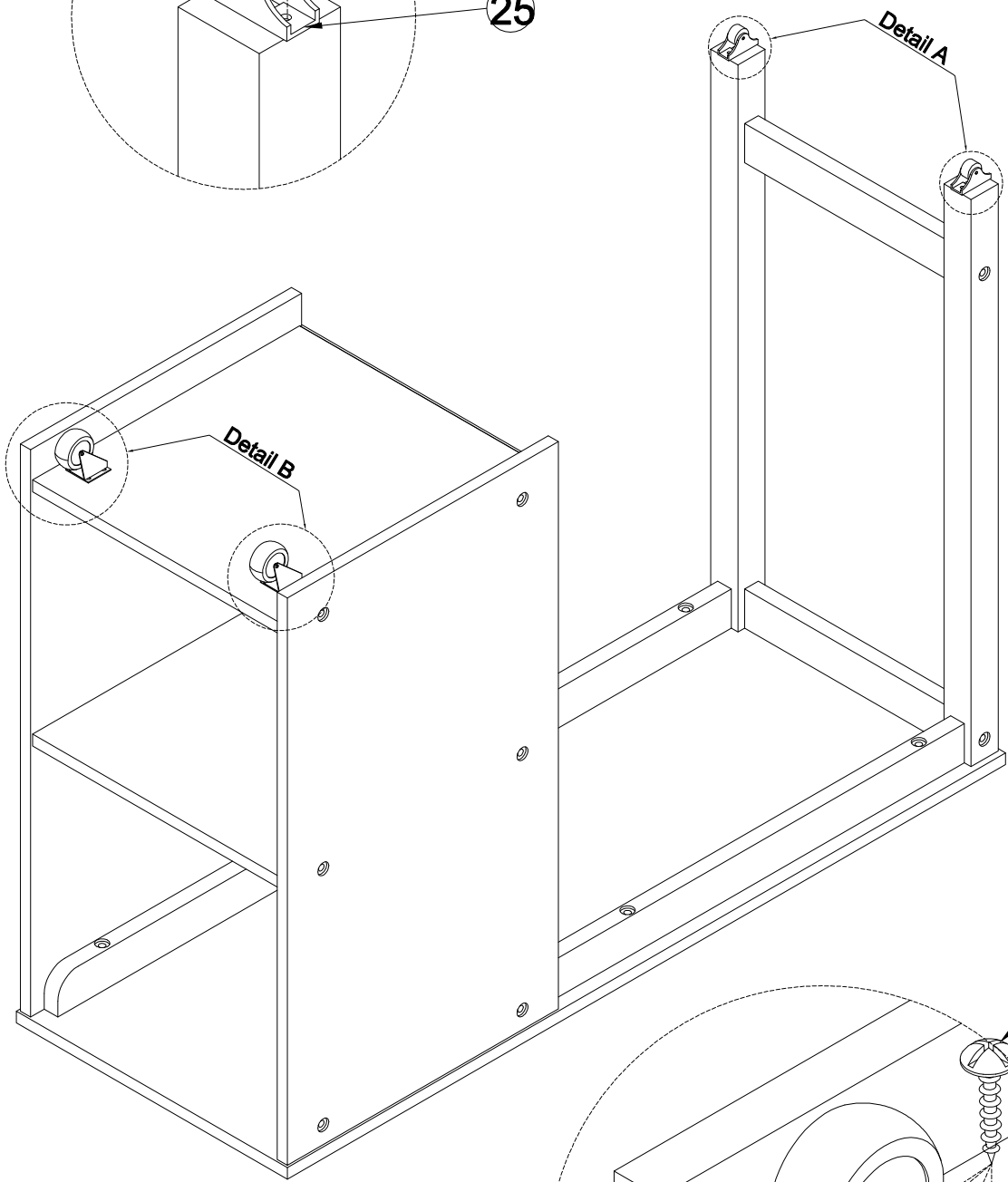
# STEP 9-7:



Detail A  
(x2)

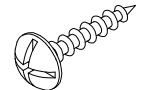
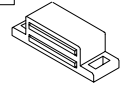
13	25
12pcs	2pcs

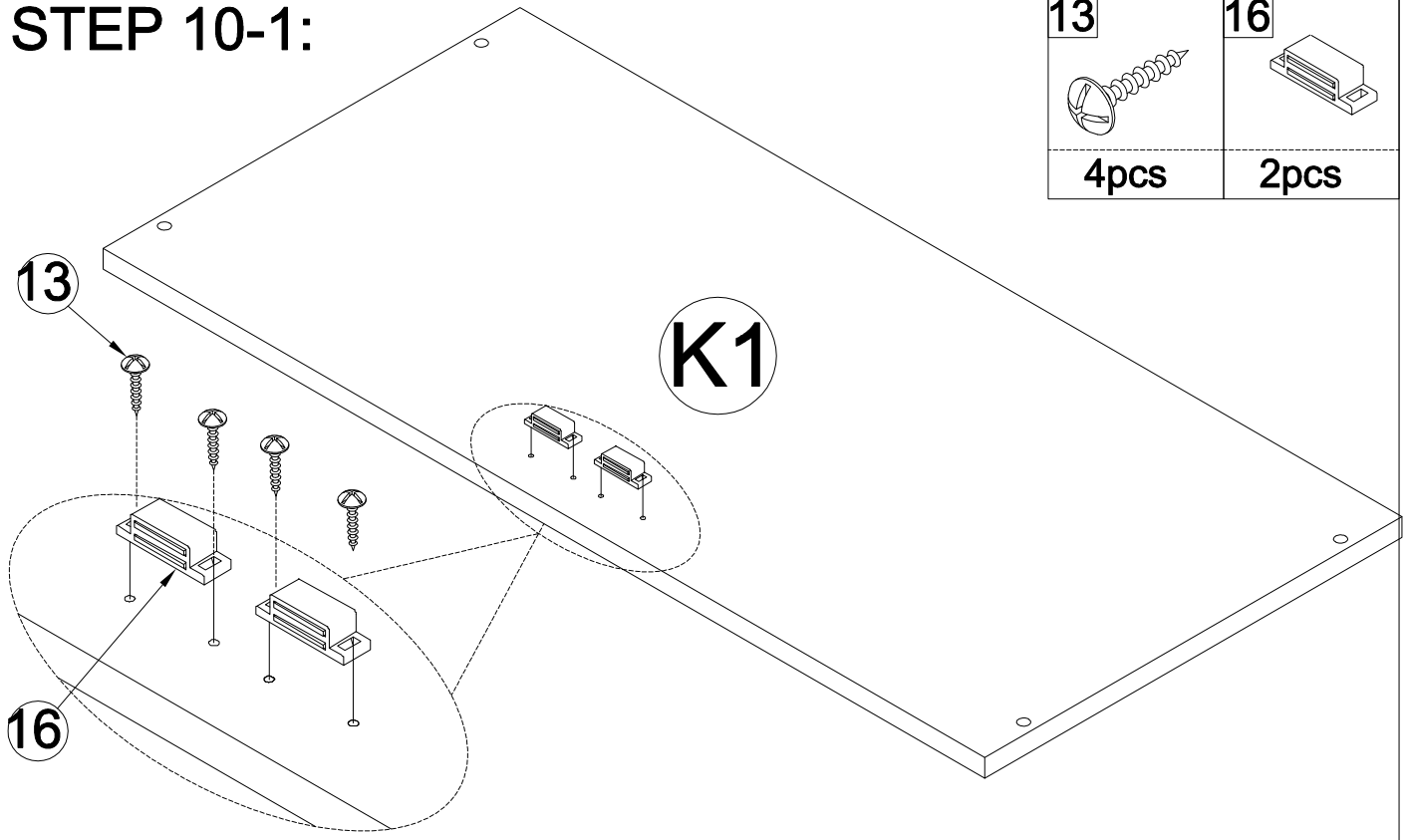
26
2pcs



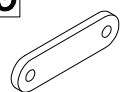
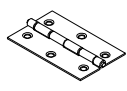
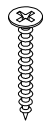
Detail B  
(x2)

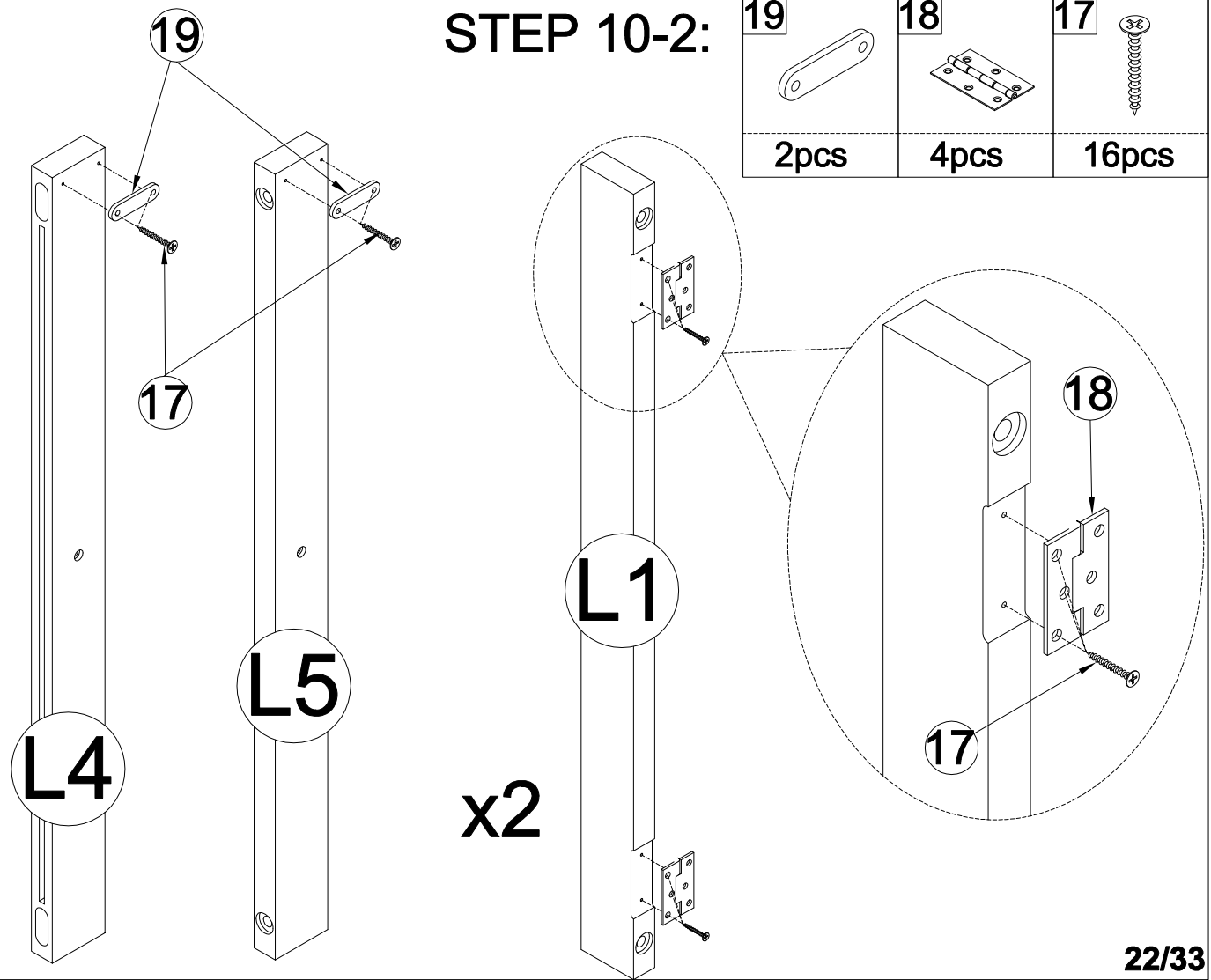
# STEP 10-1:

<b>13</b>		<b>16</b>	
	4pcs		2pcs

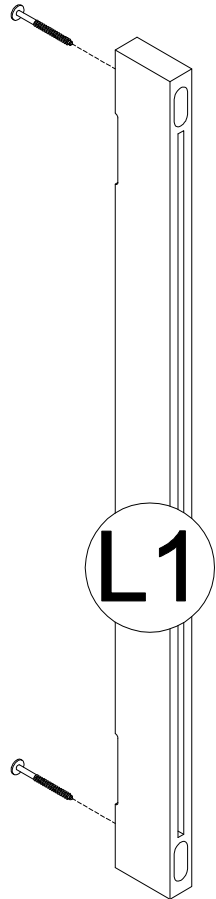


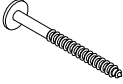
# STEP 10-2:

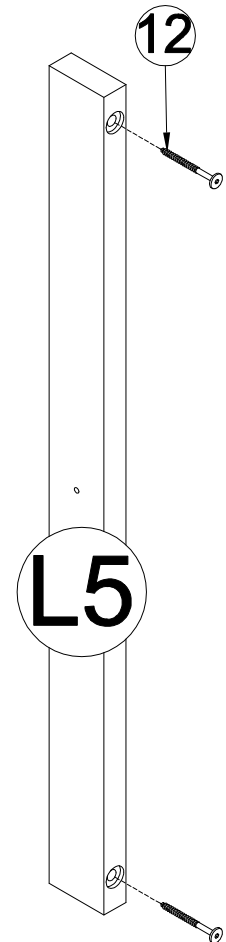
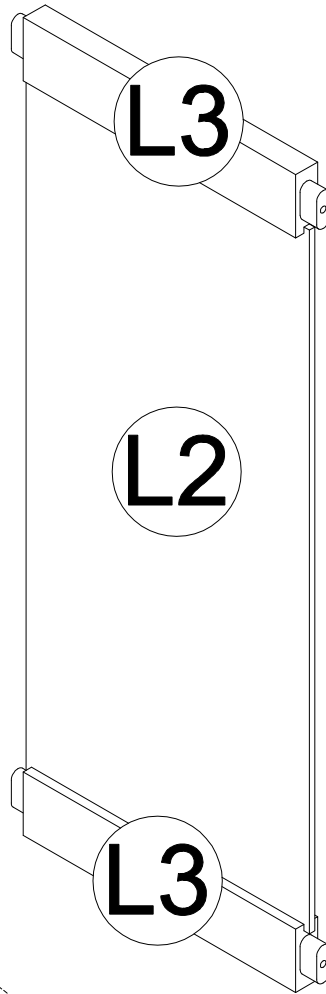
<b>19</b>		<b>18</b>		<b>17</b>	
	2pcs		4pcs		16pcs



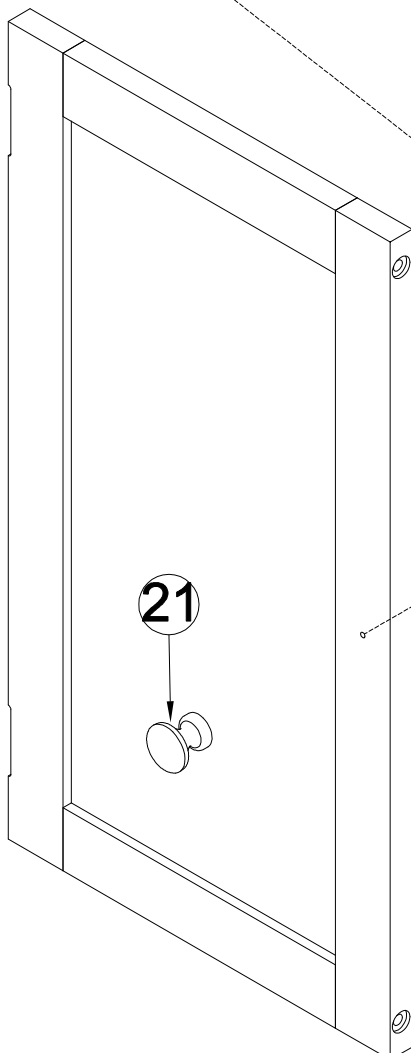
# STEP 10-3:


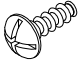


12

4pcs

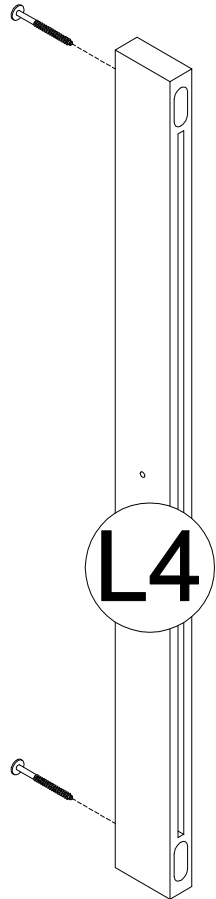


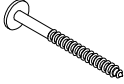
# STEP 10-4:

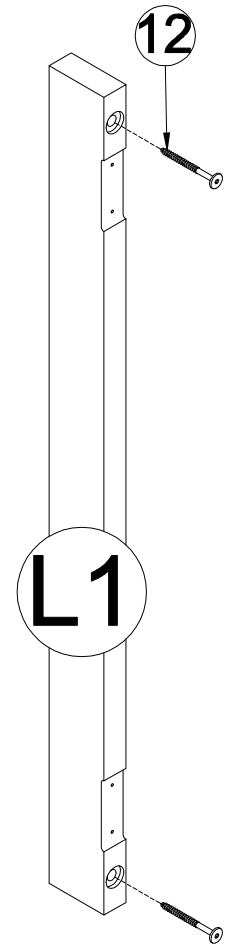
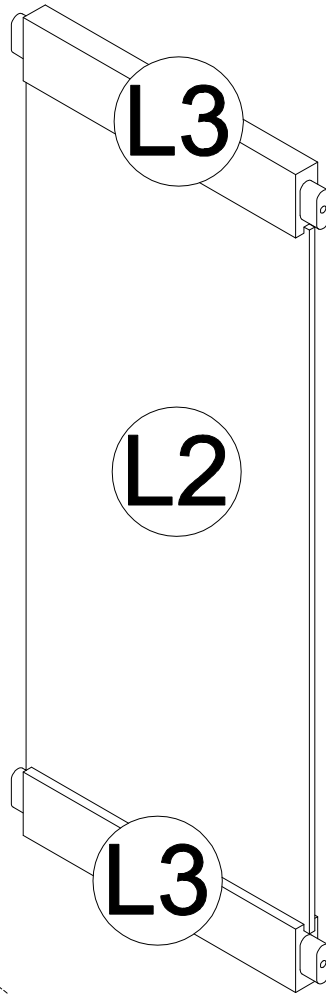


21	20
	
1pc	1pc

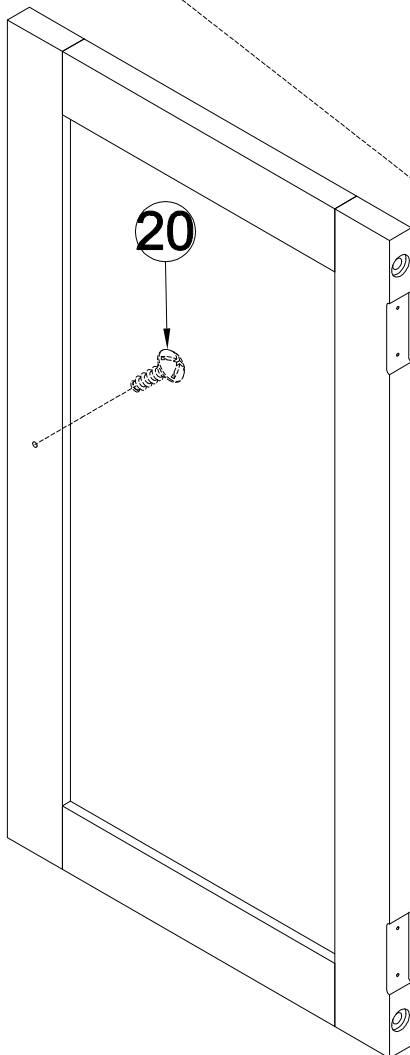
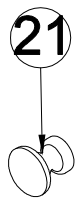
# STEP 10-5:


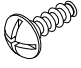


12

4pcs

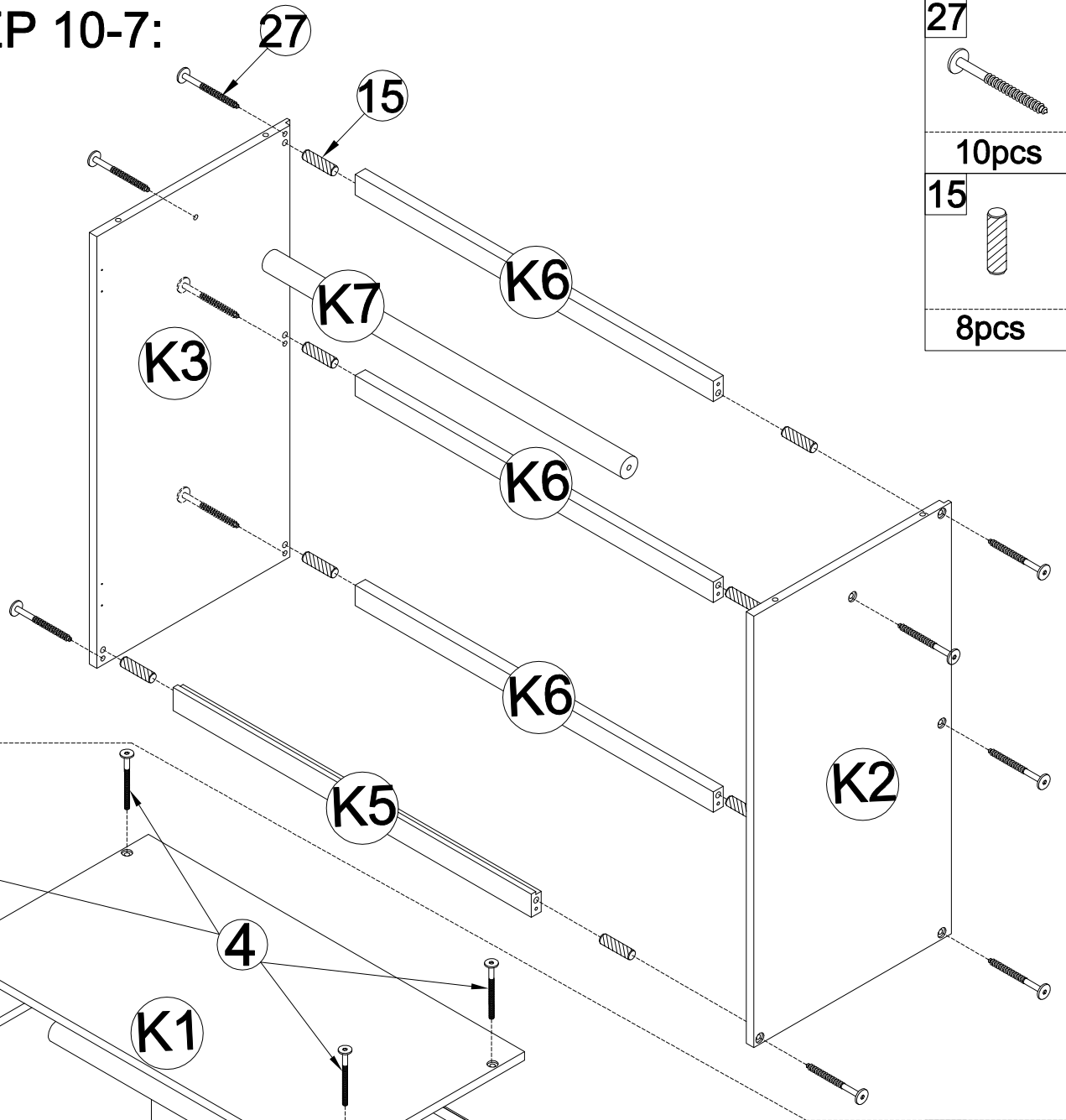


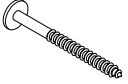

# STEP 10-6:



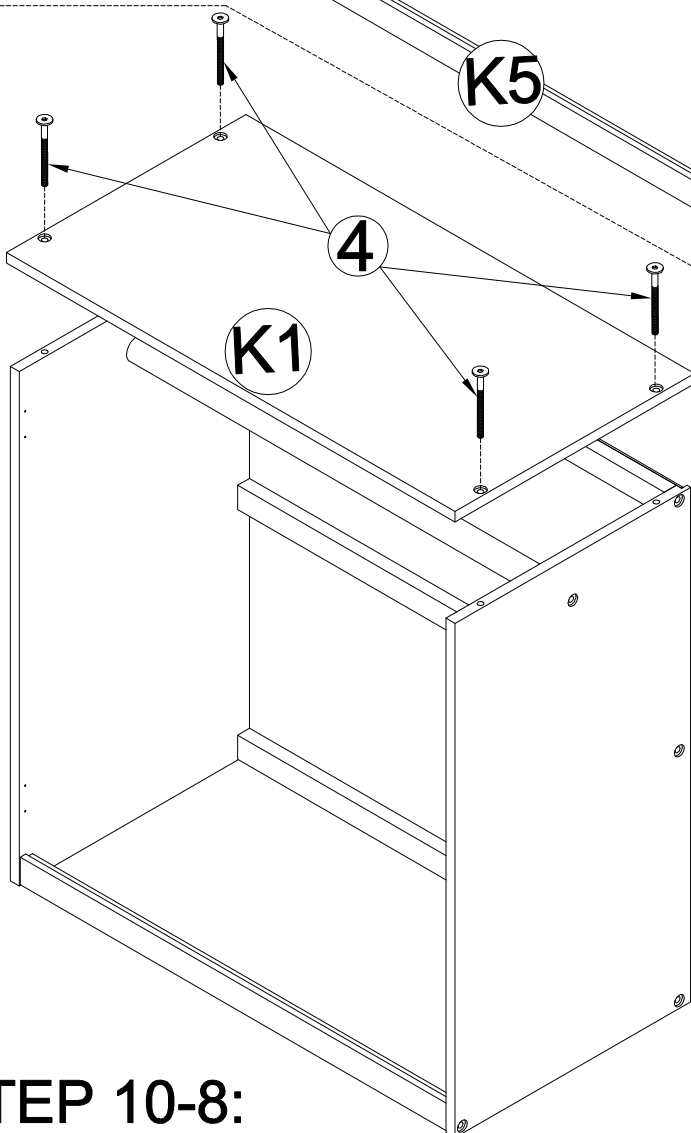
21	20
	
1pc	1pc


# STEP 10-7:



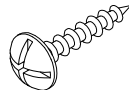
27	
10pcs	
15	
8pcs	

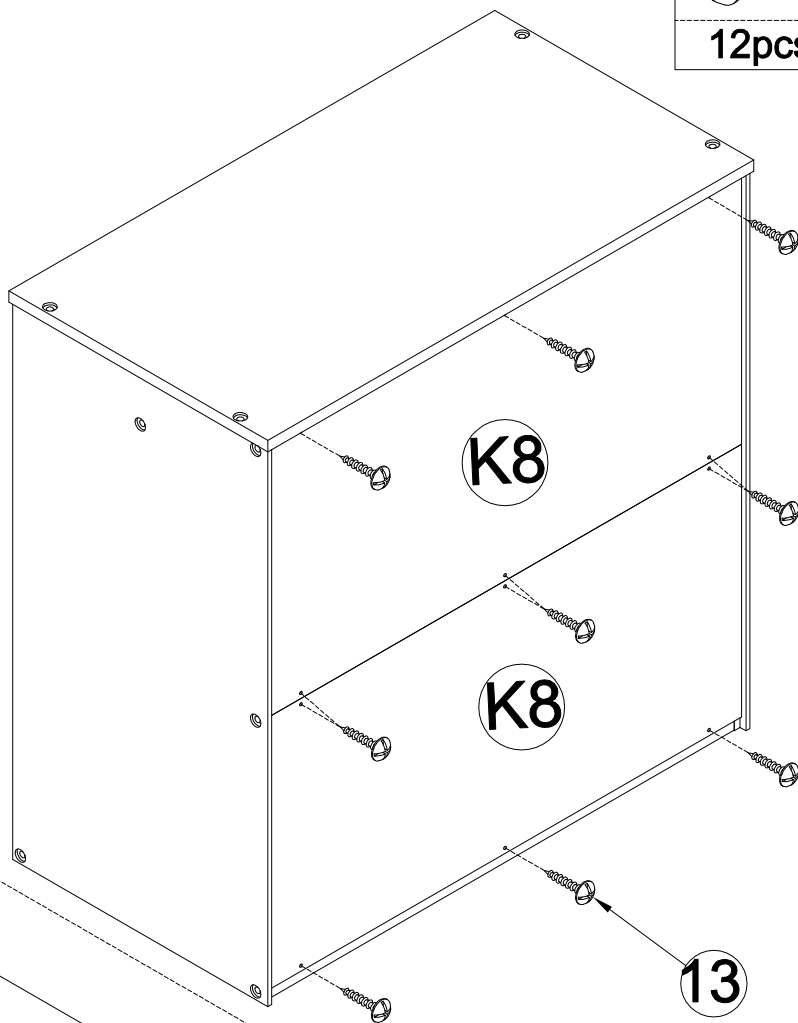
# STEP 10-8:



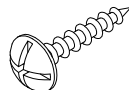
4	
4pcs	

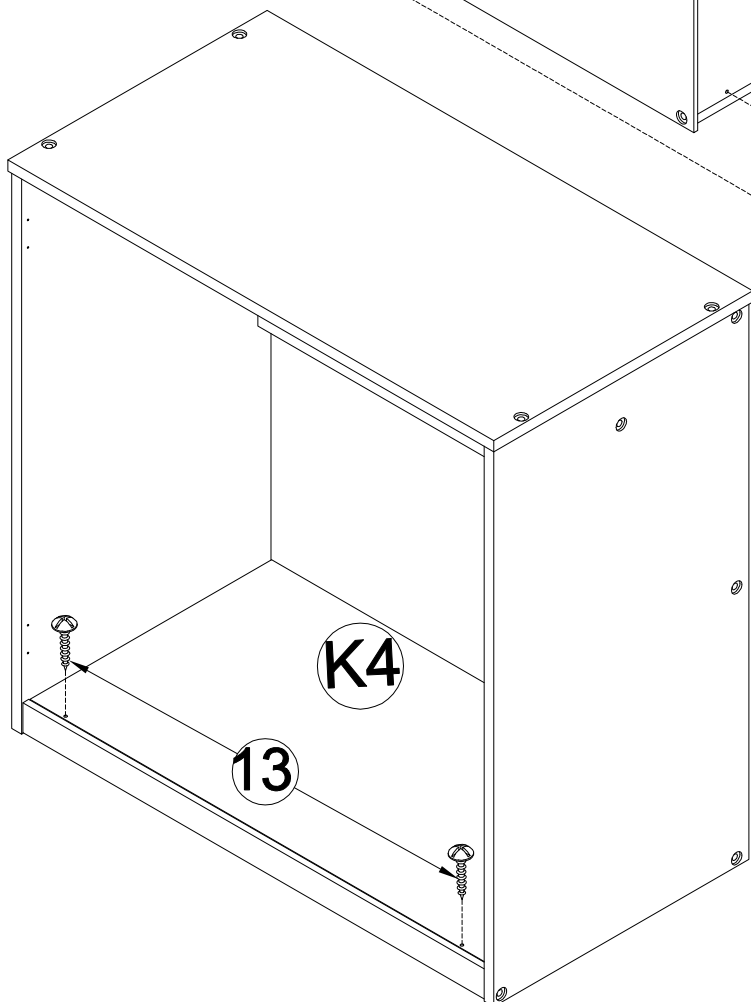
# STEP 10-9:

13

12pcs




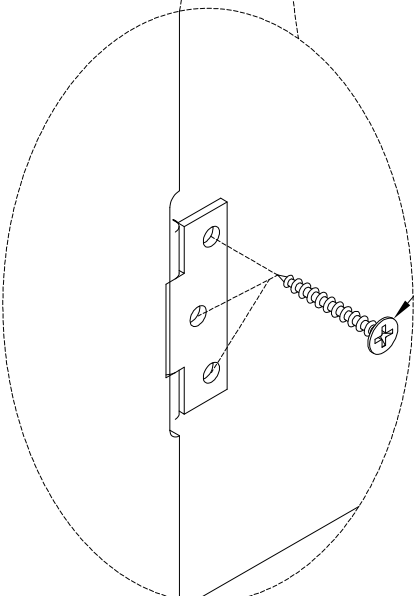
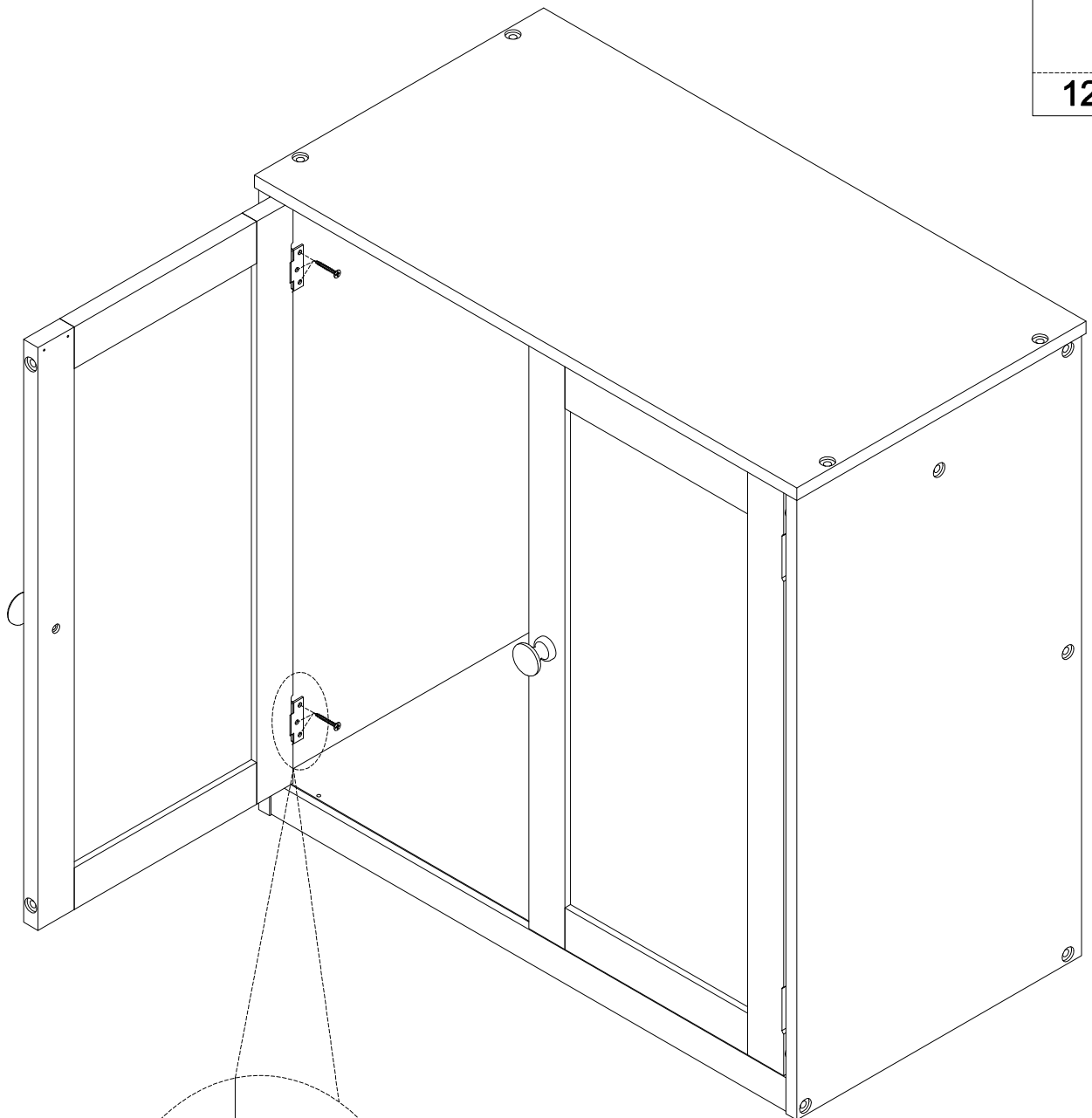
# STEP 10-10:

13

2pcs



# STEP 10-11:

17	
12pcs	

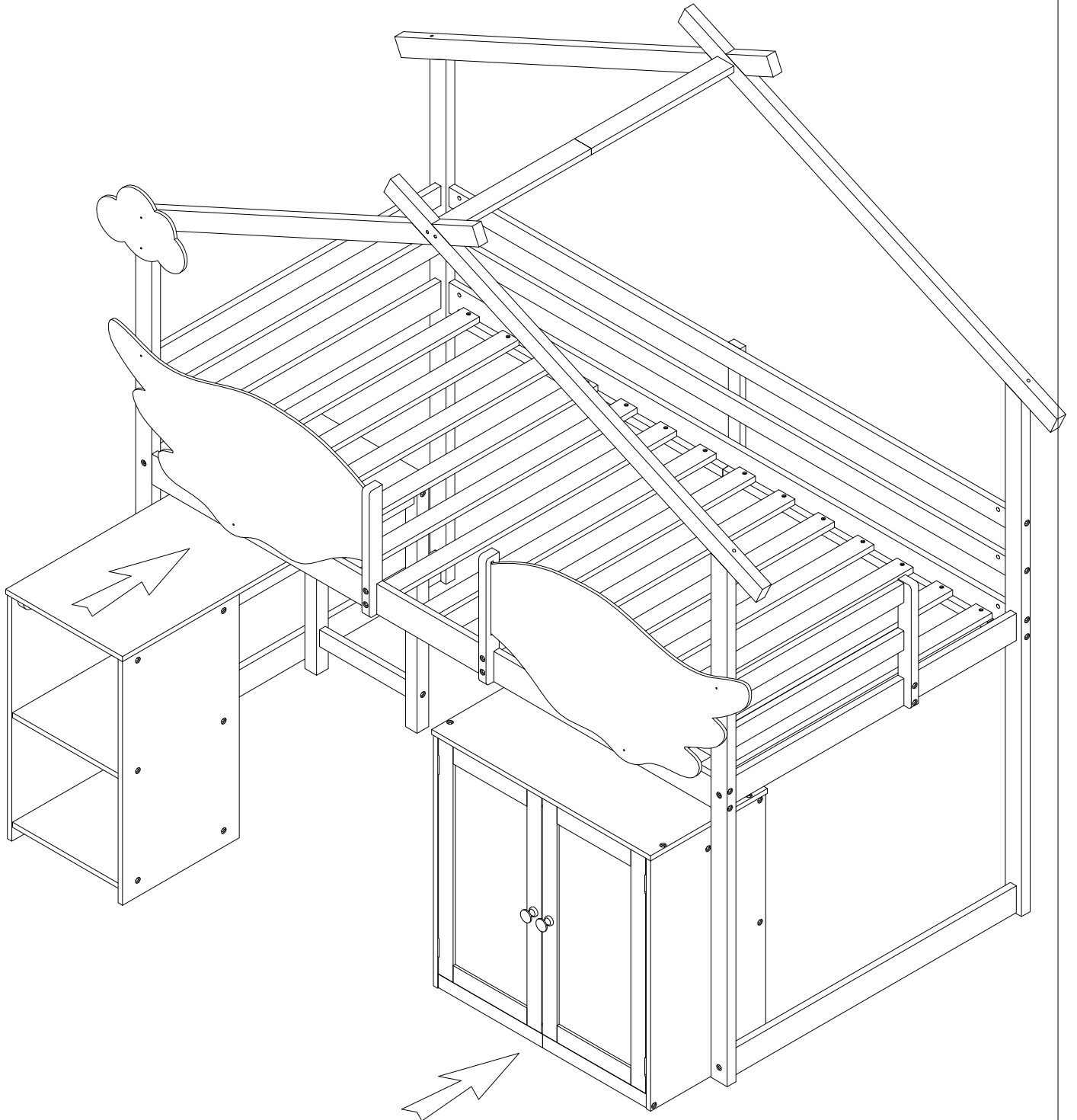


17

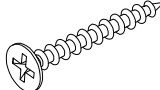
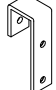

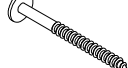
X4

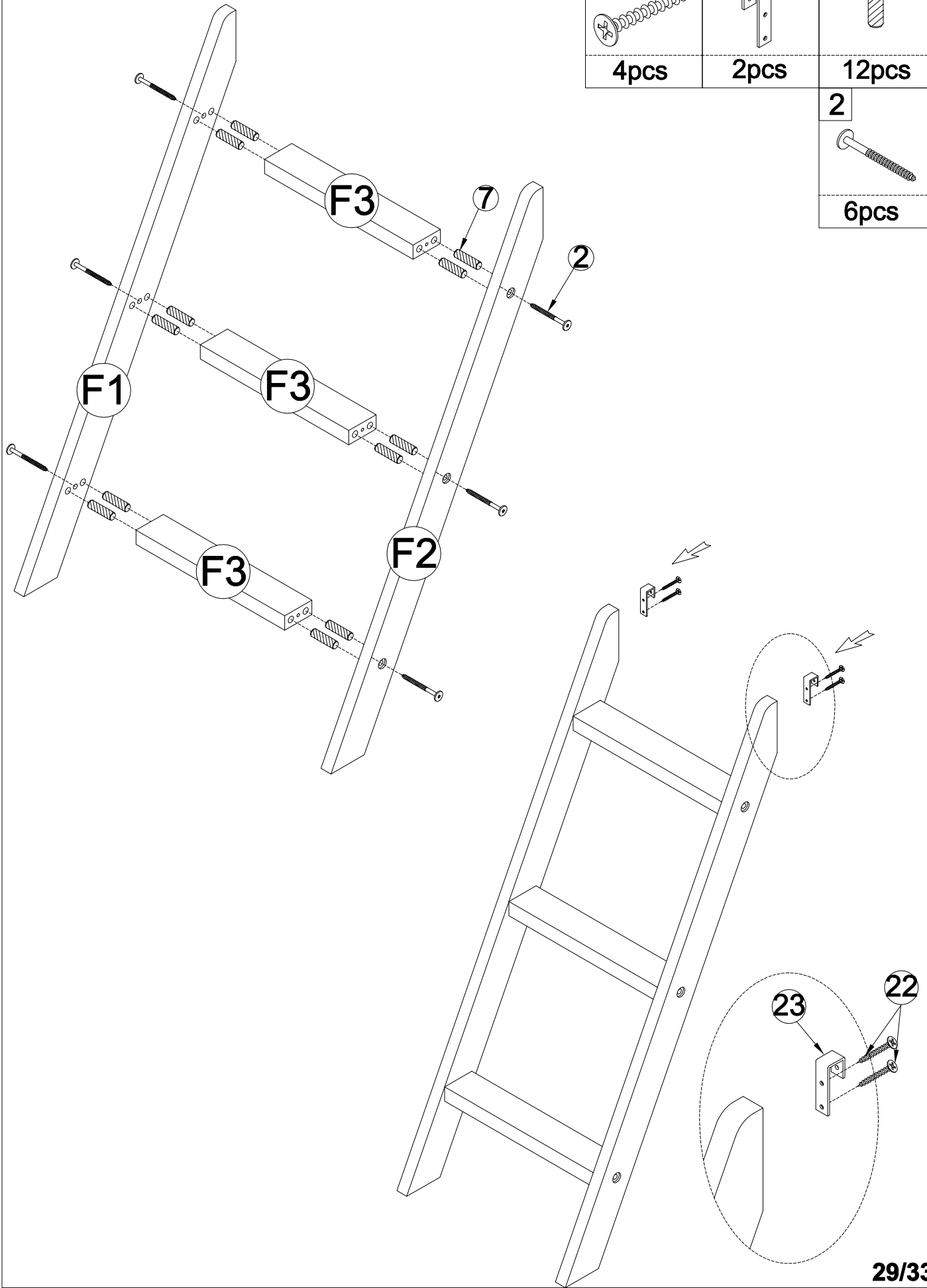
# STEP 11:

Push Chest and Table on right place

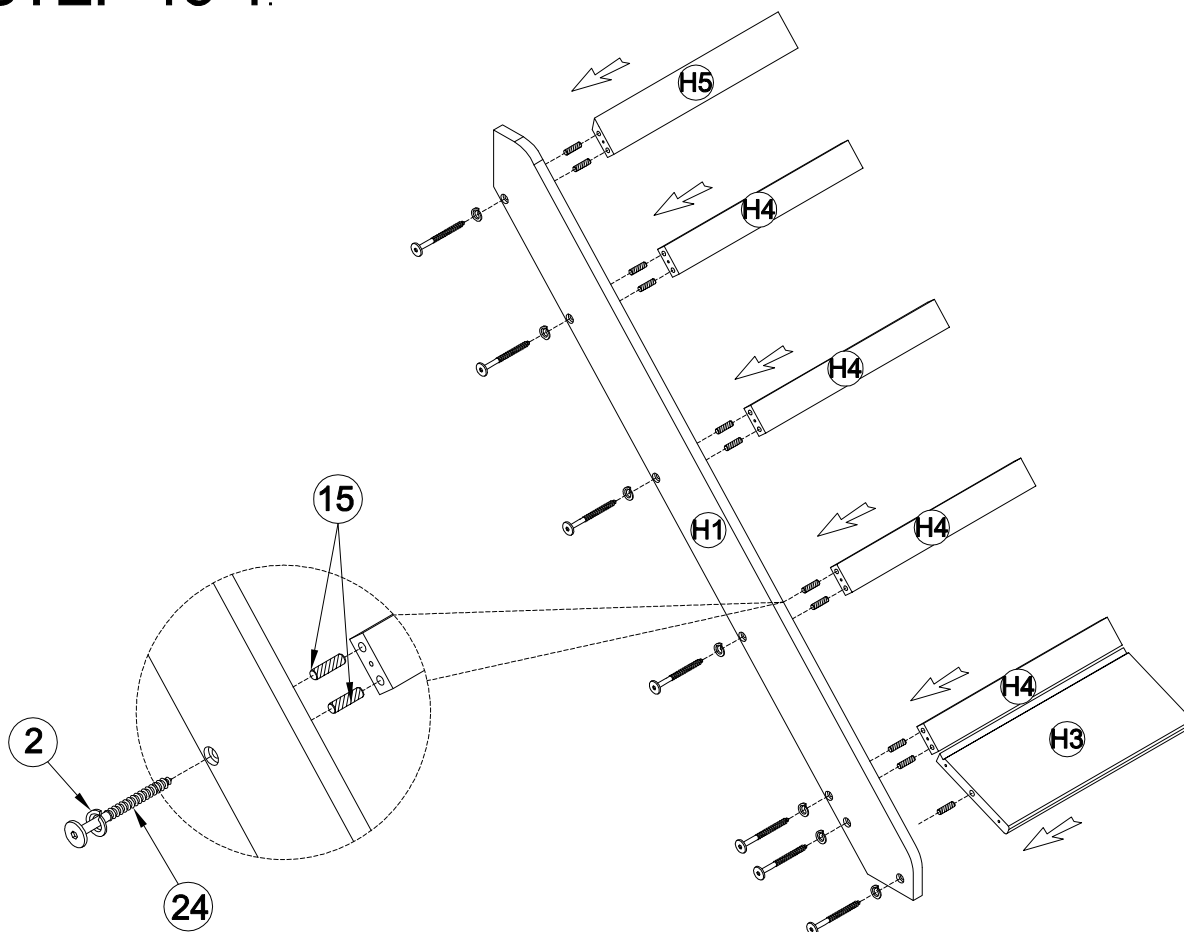



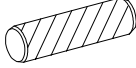

# STEP 12: Following below illustration:

<b>22</b> 	<b>23</b> 	<b>7</b> 
<b>4pcs</b>	<b>2pcs</b>	<b>12pcs</b>
		<b>2</b> 
		<b>6pcs</b>

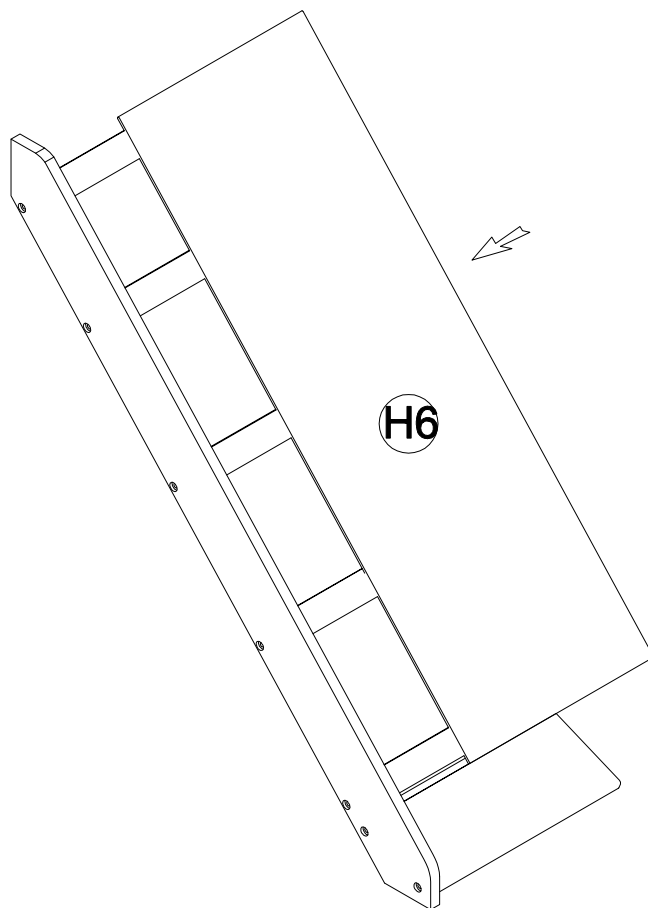


# STEP 13-1:

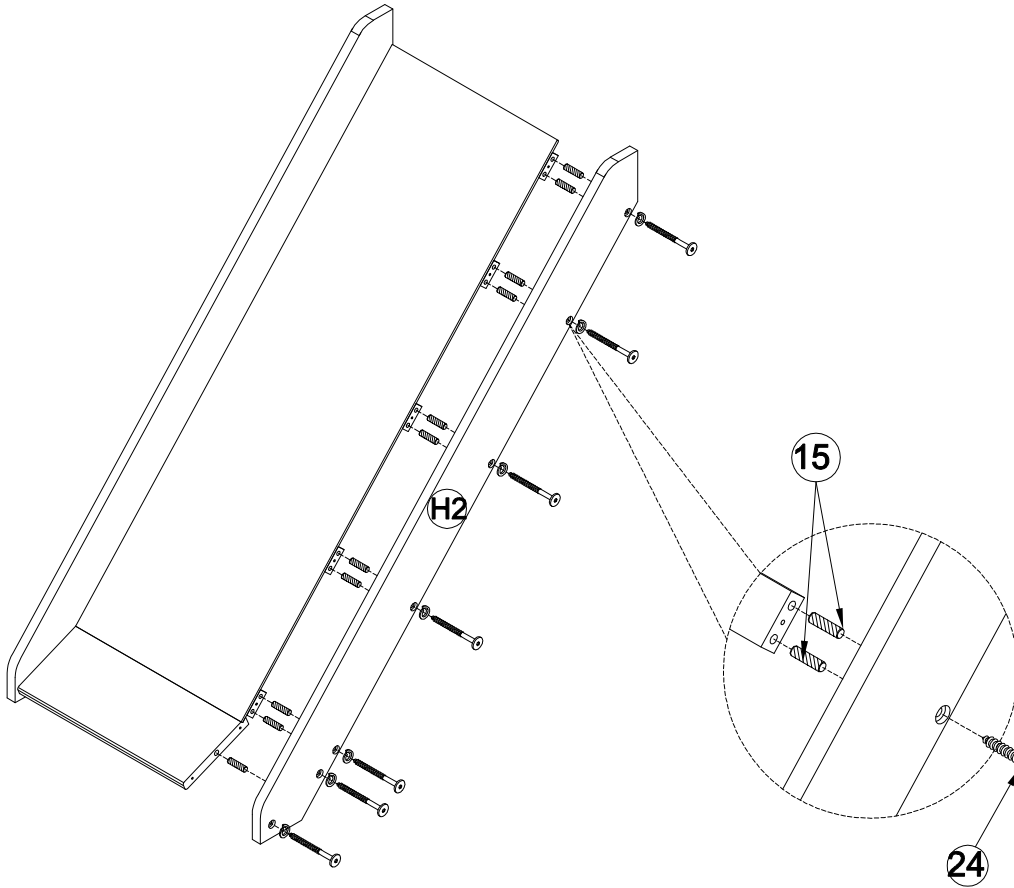


2	
7pcs	
15	
11pcs	
24	
7pcs	

# STEP 13-2:



# STEP 13-3.

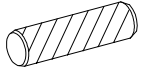


2



7pcs

15



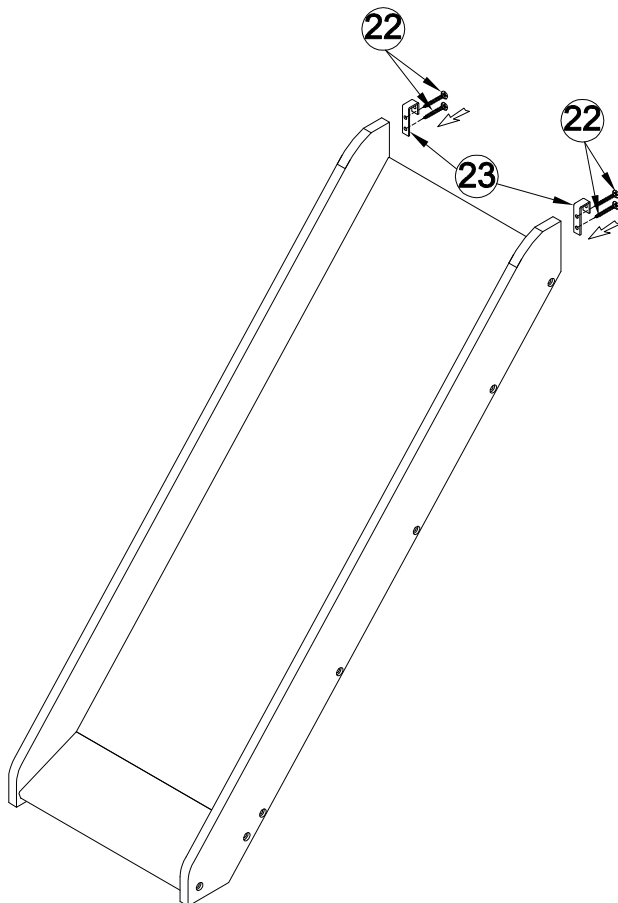
11pcs

24

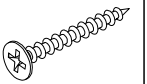


7pcs

# STEP 13-4.

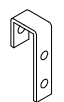


22



4pcs

23



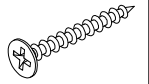
2pcs

# STEP 14

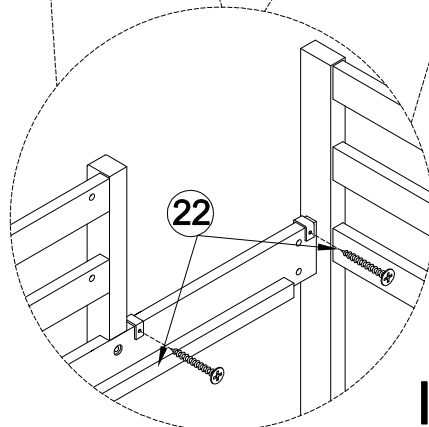
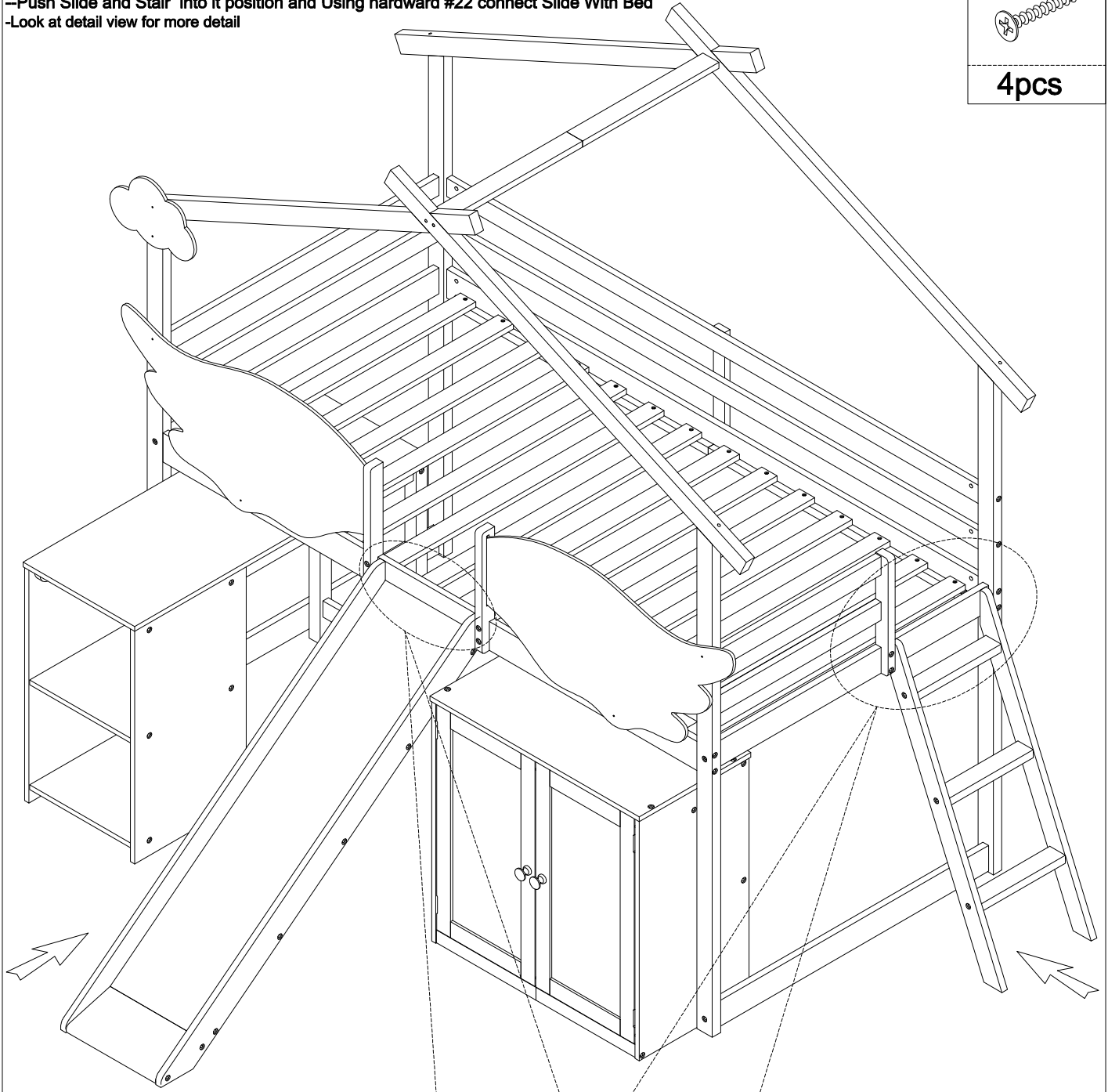
Following below illustration

- Push Slide and Stair into its position and Using hardware #22 connect Slide With Bed
- Look at detail view for more detail

22



4pcs



Inside View  
(x2)

CONGRARULATION. YOU HAVE COMPLETED THE BED

