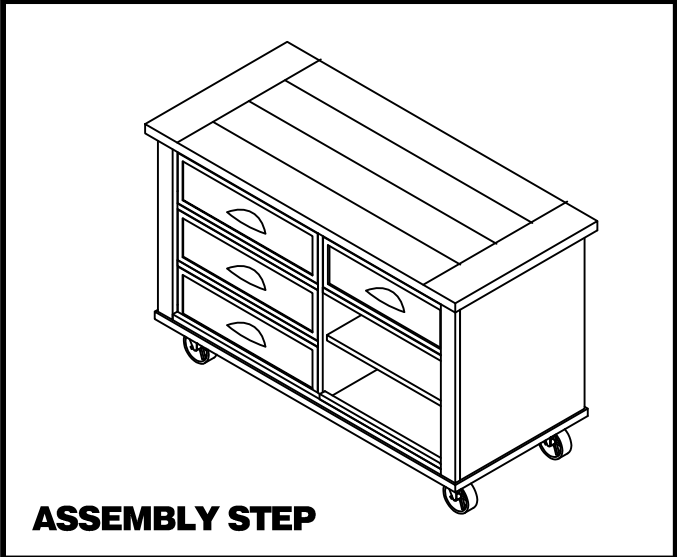


ASSEMBLY INSTRUCTION

ITEM # \_\_\_\_\_

DESCRIPTION \_\_\_\_\_

Thank you for purchasing this quality product. Be sure to check all packing material carefully for small parts which may have some loose inside the carton during shipment. Identify and count all parts and compare with the parts List Below:

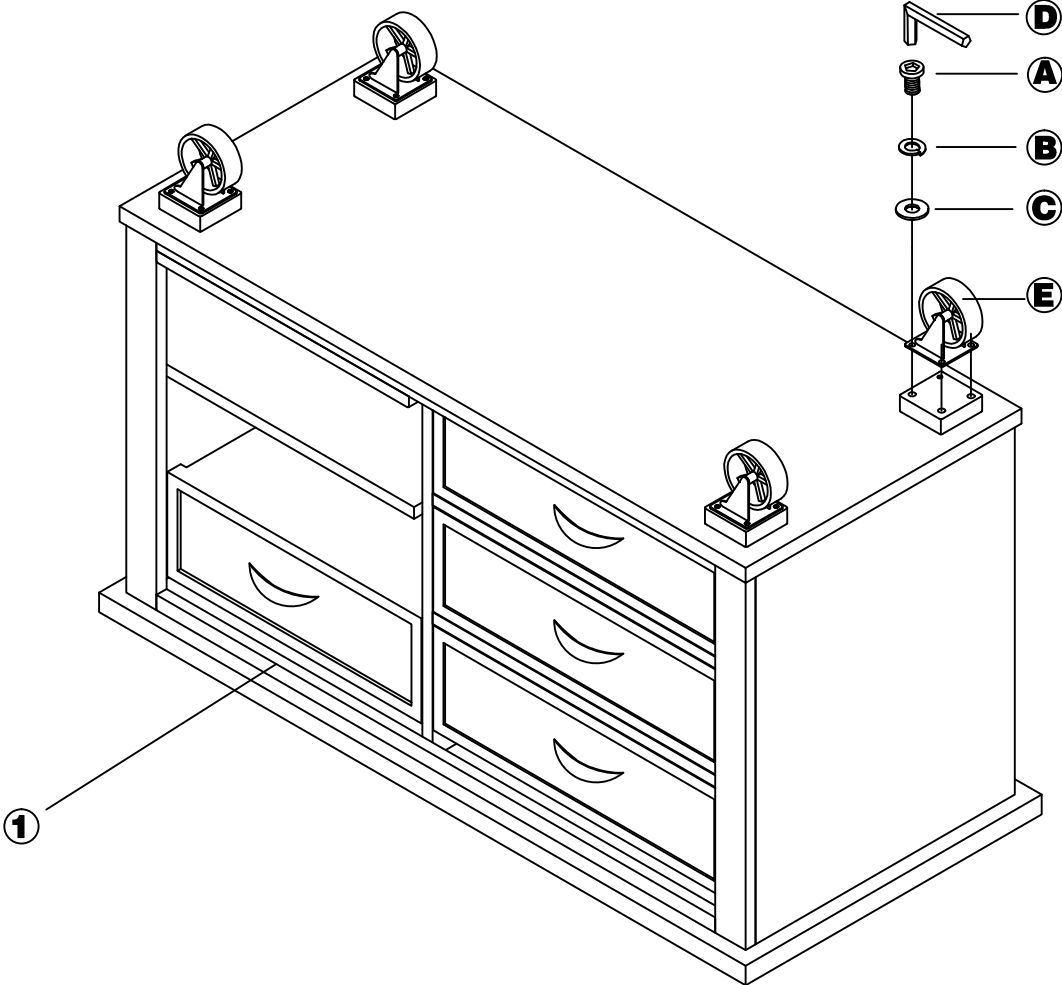


**HARDWARE LIST**

NO.	SKETCH	HARDWARE	QTY
A		Bolt 1/4" x 5/8"	16 pcs
B		Spring Washer	16 pcs
C		Flat Washer	16 pcs
D		Allen Key 4mm	1 pc
E		Iron Wheels	4 pcs

**PARTS LIST (IF NEEDED)**

NO.	SKETCH	PART	QTY
①		Credenza	1 pc



**NOTE: DO NOT TIGHTEN ALL THE BOLTS UNTIL THEY ARE INSTALLED IN CORRESPONDING HOLES!**