



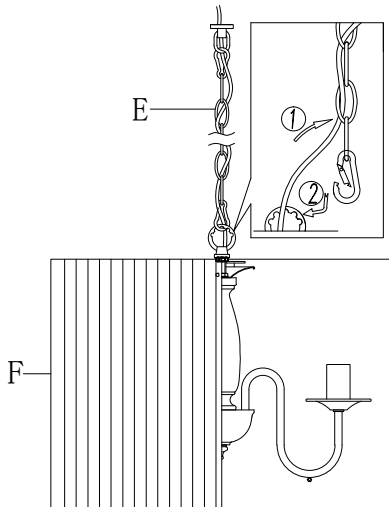
# ARTIVA

## ASSEMBLY INSTRUCTIONS

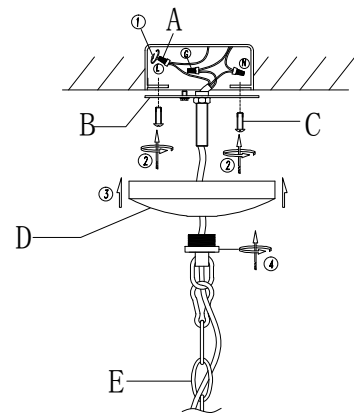
ITEM#: A501103PB

| A    | B    | C    | D    | E    | F    | G    | H1    | H2   | H3   |
|------|------|------|------|------|------|------|-------|------|------|
|      |      |      |      |      |      |      |       |      |      |
| 3PCS | 1PCS | 2PCS | 1PCS | 1PCS | 1PCS | 5PCS | 24PCS | 5PCS | 1PCS |

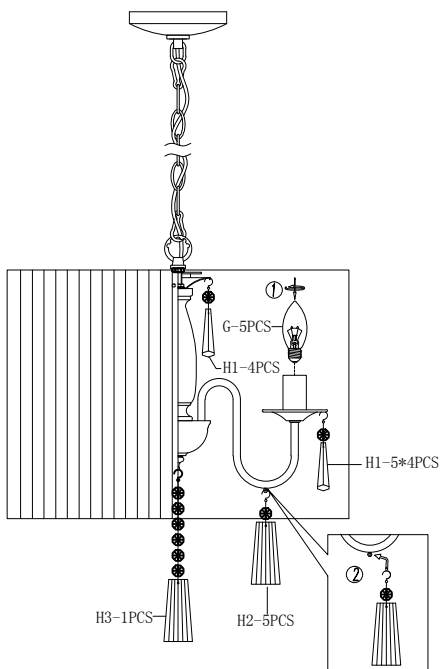
1



2



3



4

