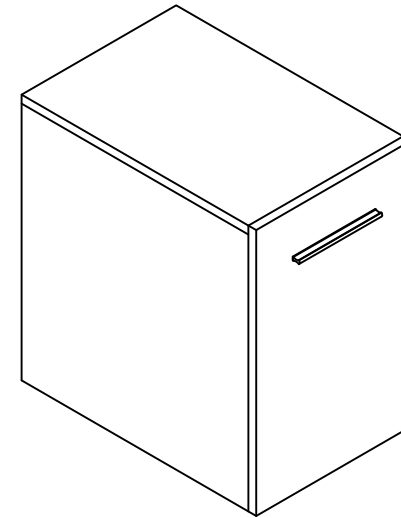


THANKS FOR WATCHING

Your feedback is invaluable to us and we would love to hear about your experience. Please take the time to leave us a review.



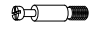







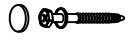



Thank you for shopping with us!

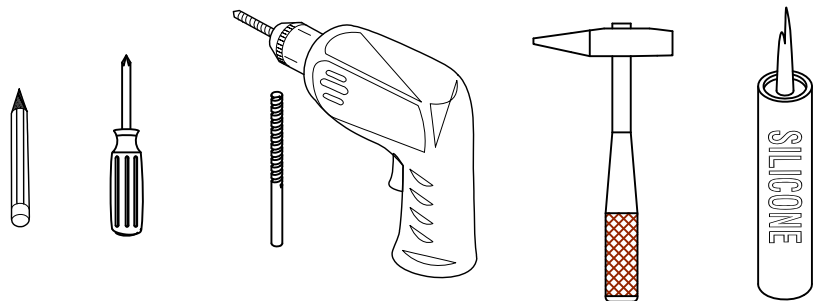
We encourage you to take a few minutes to go through this booklet. It contains important information on installation and care tips to keep your furniture looking as good as new.

Item NO.:UNOR SV 006W 12S

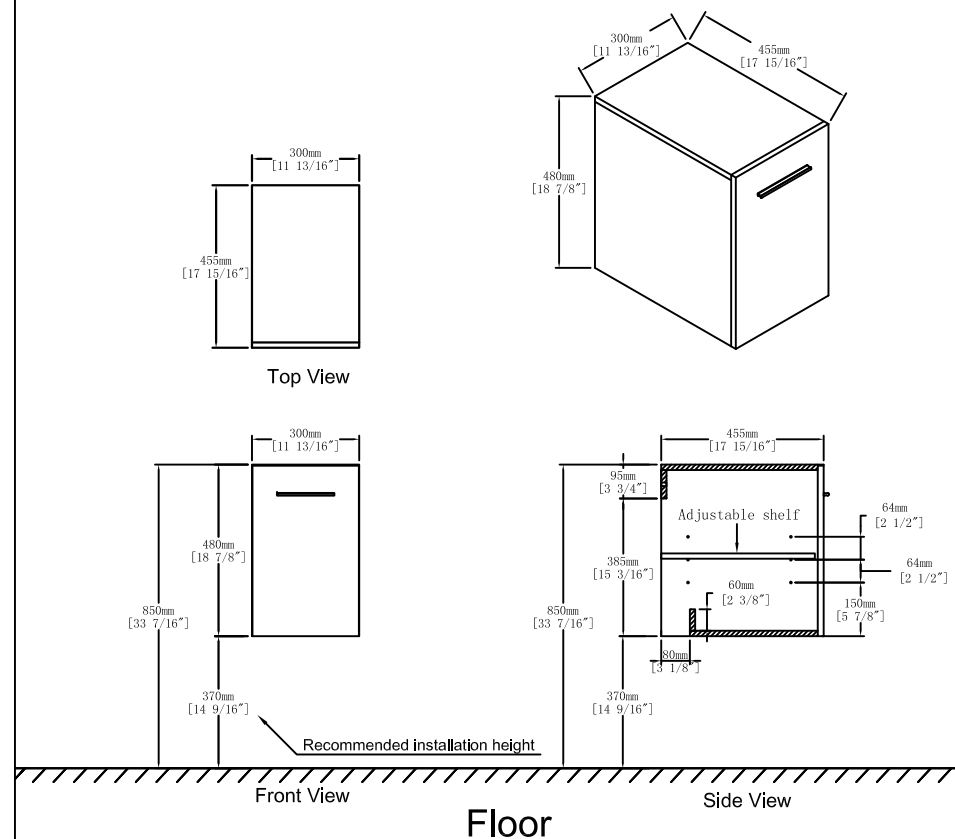
Hardware

NO.	Draw	QTY	NO.	Draw	QTY
A	 Screws Ø4x14mm	12	G	 Hinges(Full cover)	2
B	 Two-in-one connector	16	H	 Handle(L = 160mm)	1
C	 Two-in-one connector	16	I	 Screws M4x18mm	2
D	 Wood plug	8	J	 Movable laminate support	4
E	 Plastic anchor(Ø10mm)	2	K	 Anti-collision gasket	2
F	 Screws for fix on the wall	2	L	 Screwdriver	1

Recommended tools



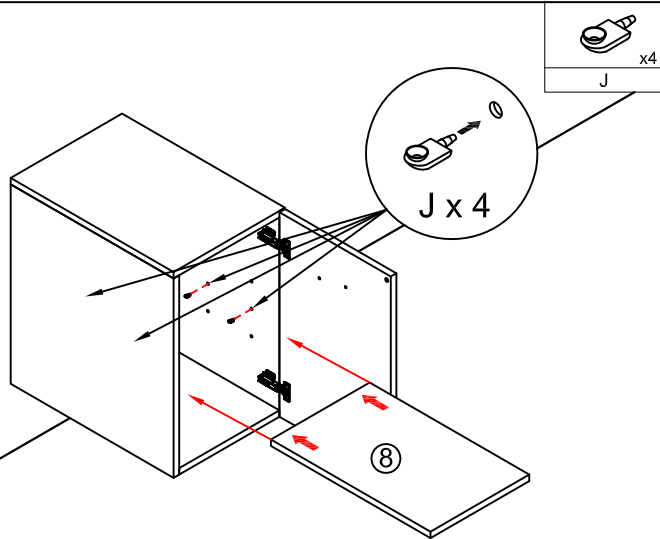
Dimensions



CARE CLEANING AND MAINTENANCE

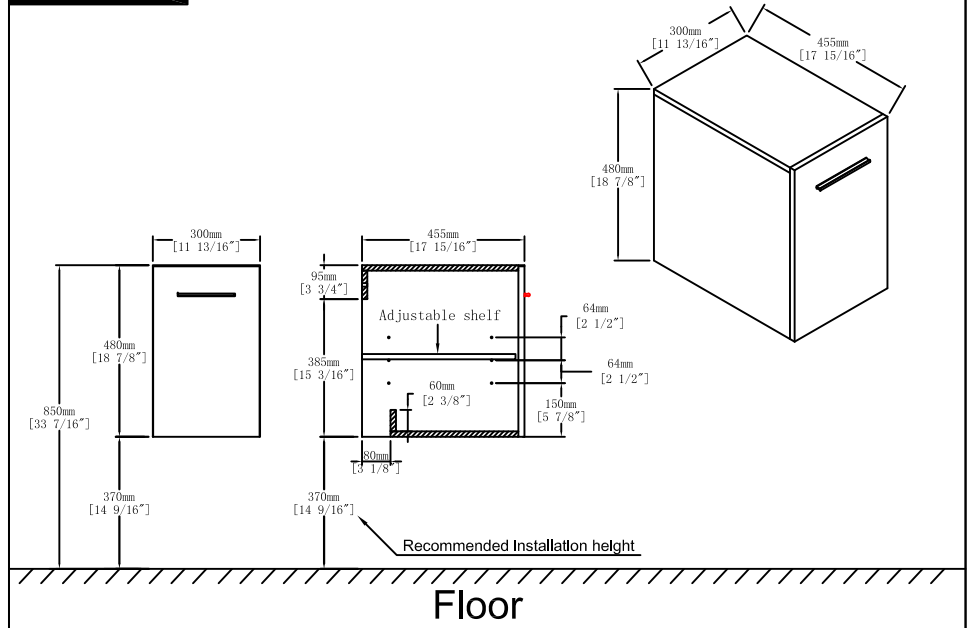
1. Dust regularly with a soft , dry cloth.
2. Avoid the use of all chemicals household cleaners, abrasives, or cleaners that contain lemon, vinegar, or other acids that may damage the finish.
3. Excessive exposure to sunlight and extreme changes in temperature and moisture can damage wood furniture.
4. Do not place hot appliances, such as curling irons and hot hair dryers directly on the countertop. Wipe spills immediately.

Step 13

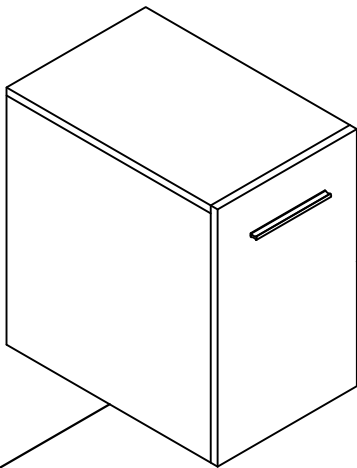


Notes:
The installation position can be selected according to the required height.

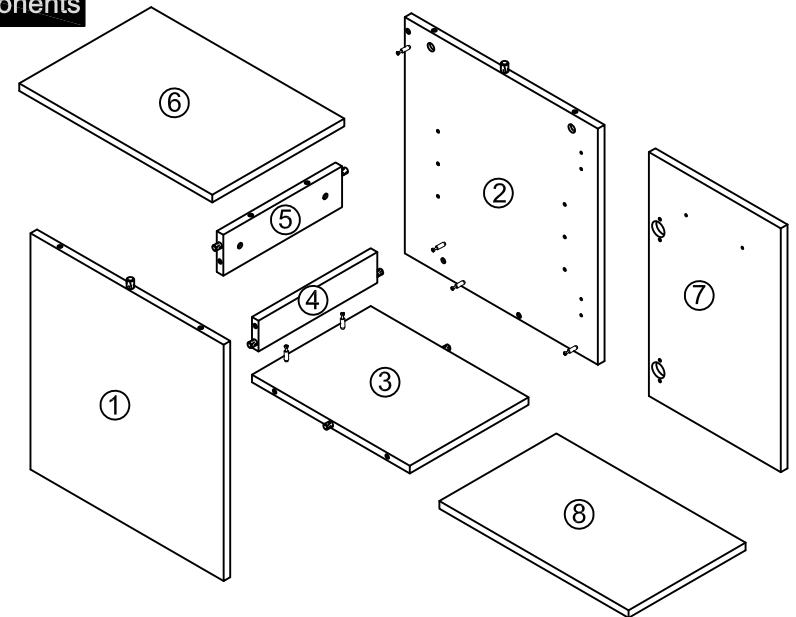
Dimensions

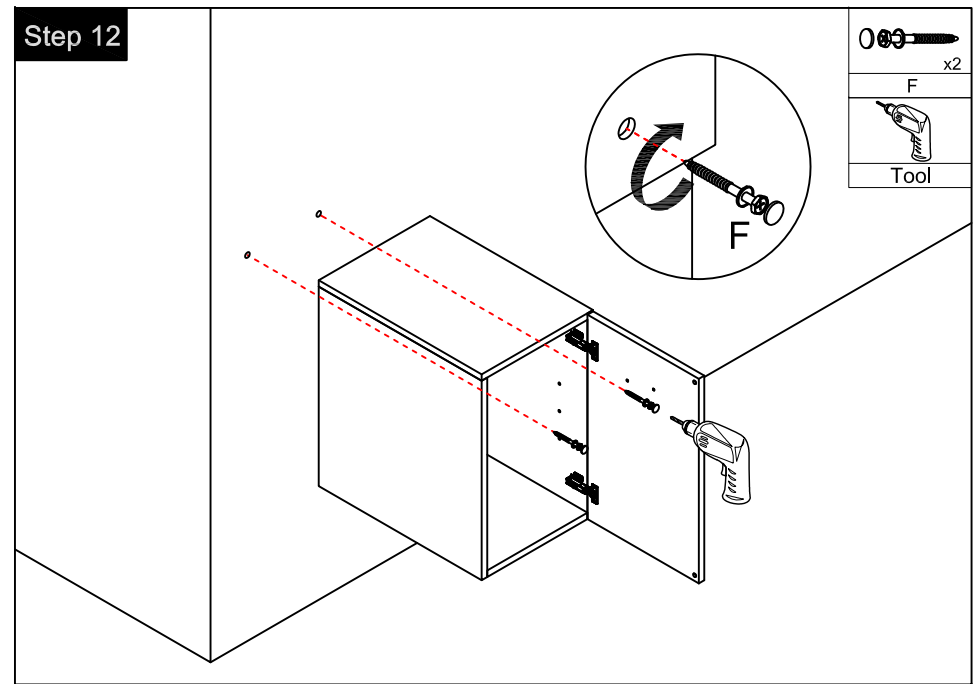
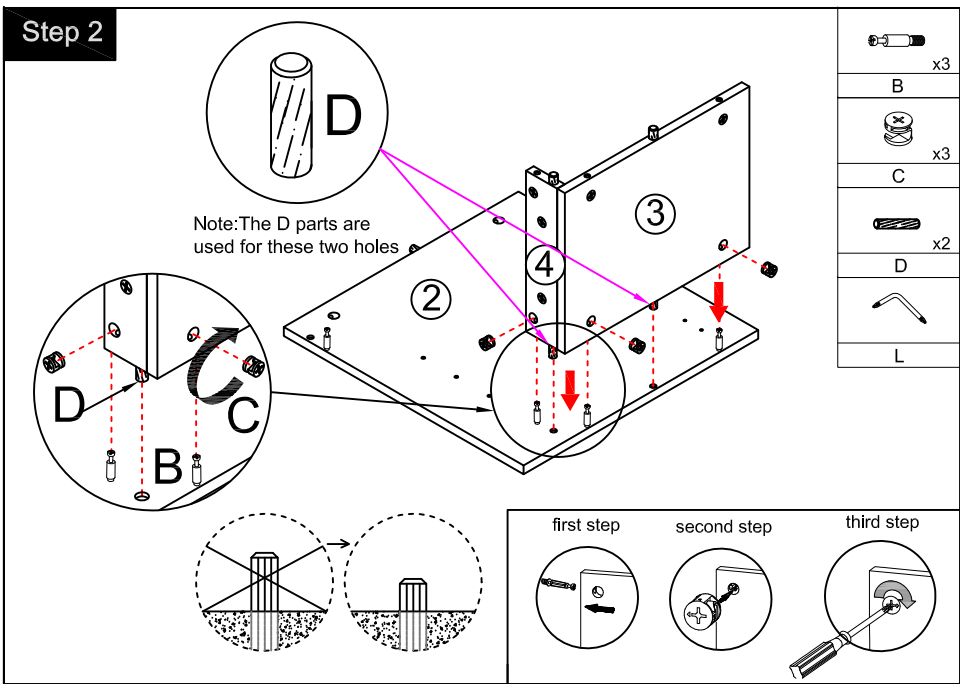
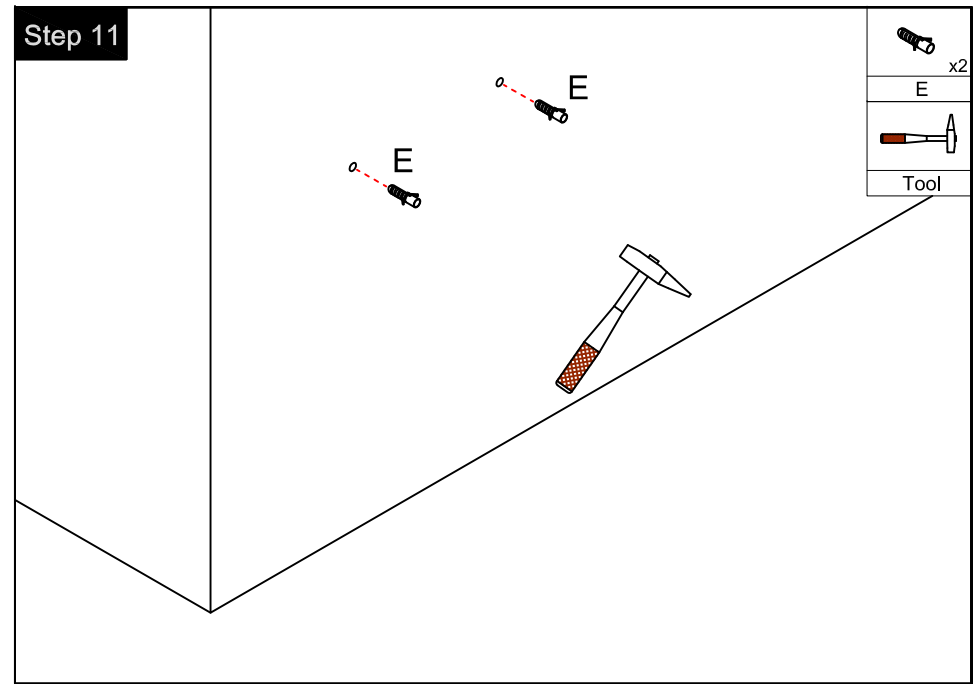
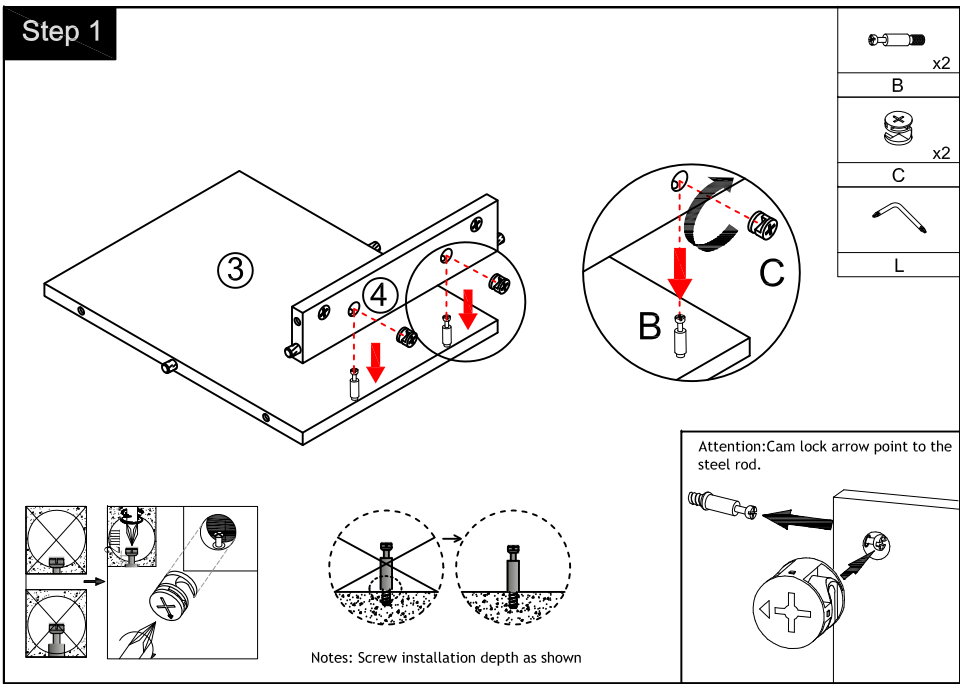


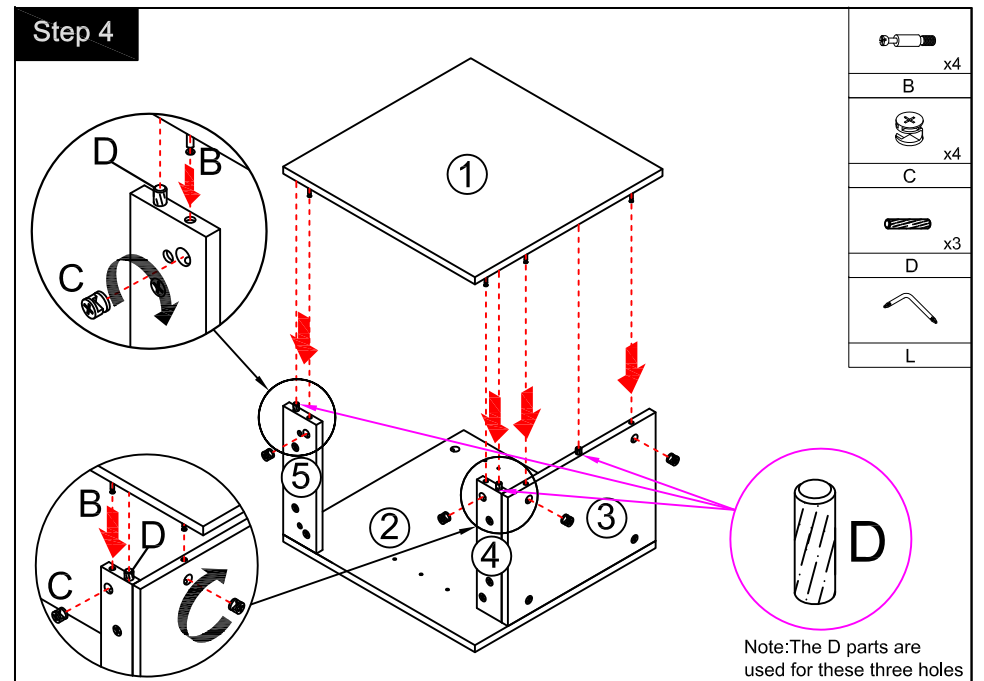
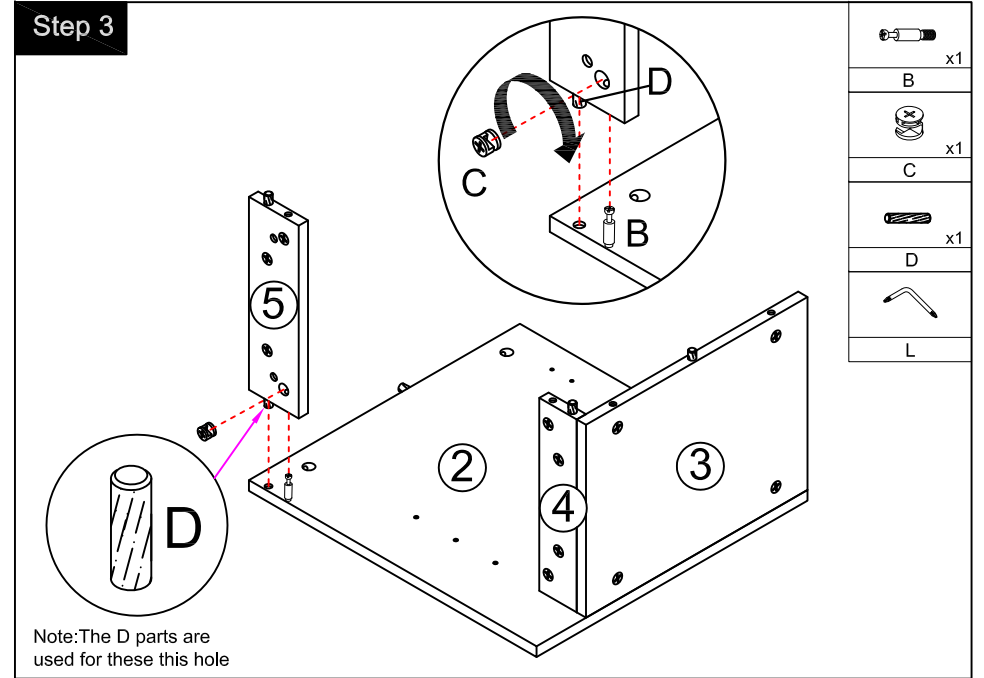
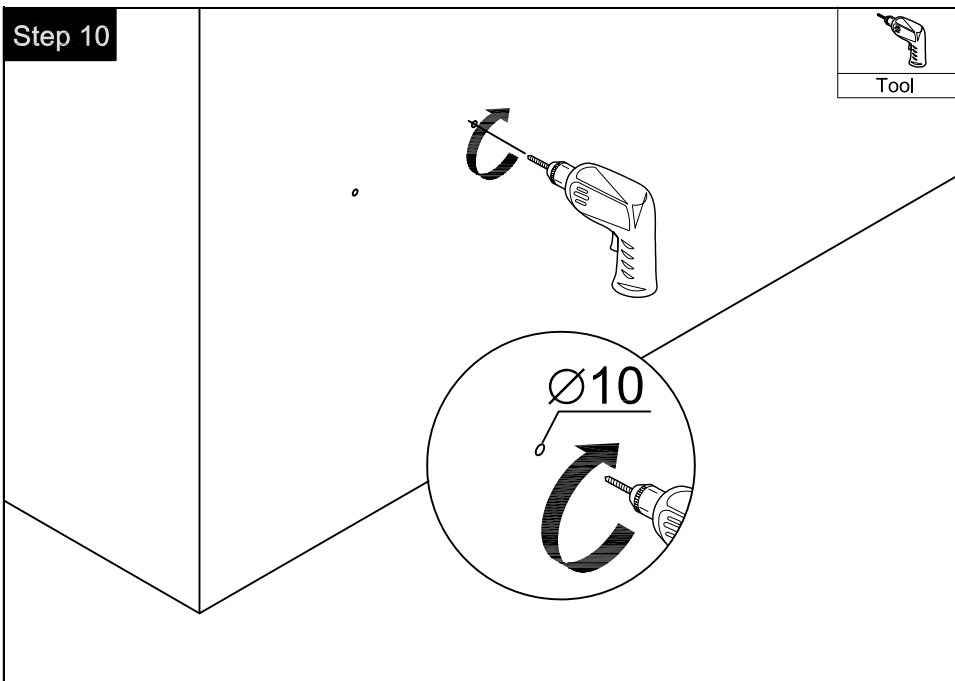
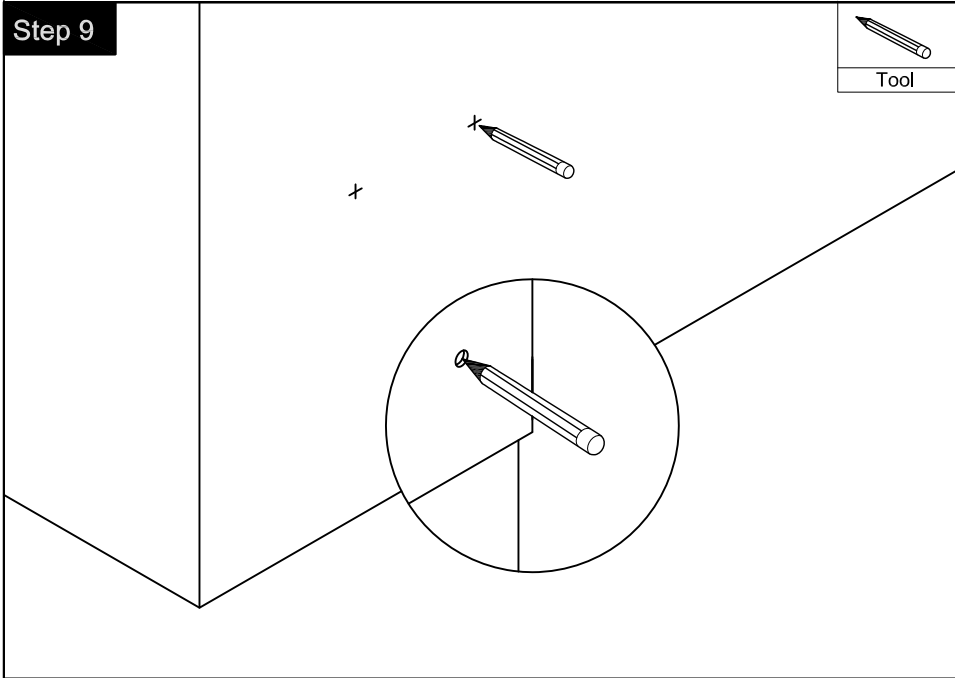
Finished







Components

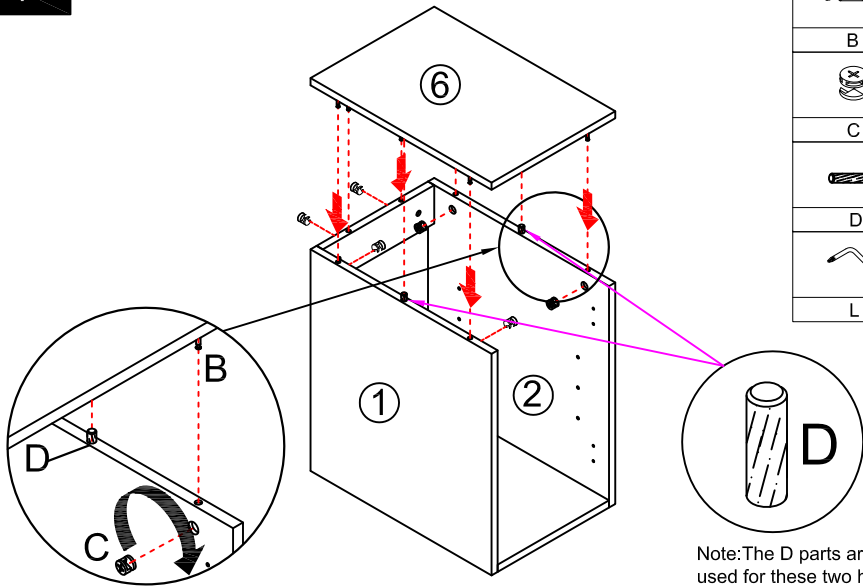









Step 5

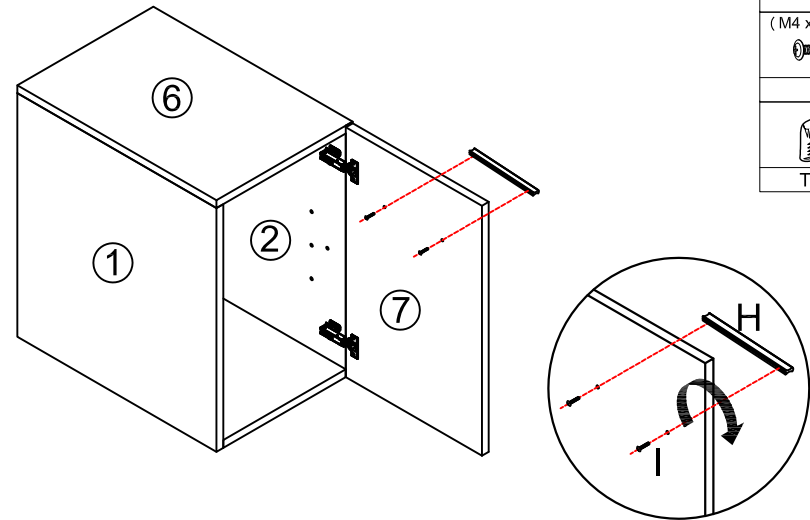
-  x6
- B
-  x6
- C
-  x2
- D
- 
- L






Note: The D parts are used for these two holes

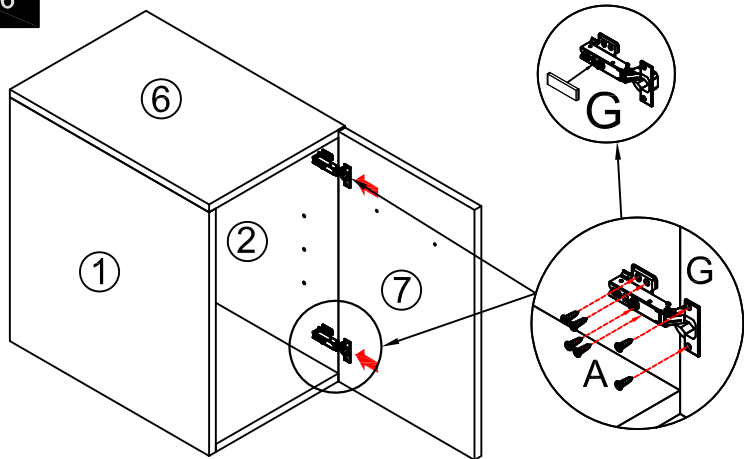
Step 7

-  x1
- H
- (M4 x 18mm)
-  x2
- I
- 
- Tool

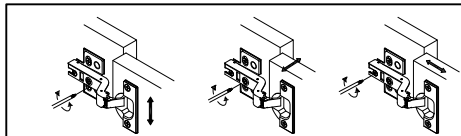


Step 6


- ($\varnothing 4 \times 14\text{mm}$)
-  x12
- A
-  x2
- G
- 
- Tool



You can adjust the doors by tightening or loosening the screws on the hinge. →



Step 8

-  x4
- K

