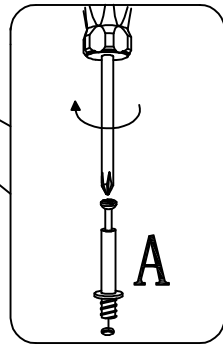
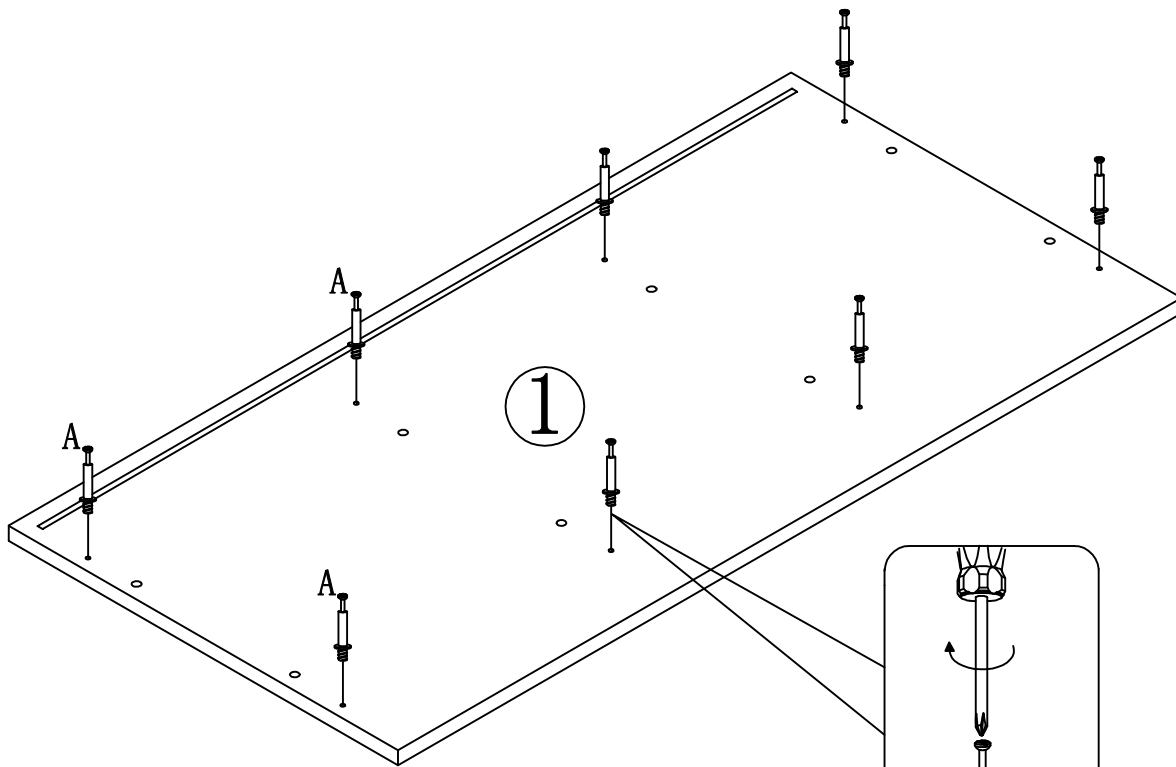


A	*20	B	X8	C	X16	D	X8	E	X1
Φ 6X35		Φ 15X12		Φ 7.8X30		Φ 7X47		M4X55	

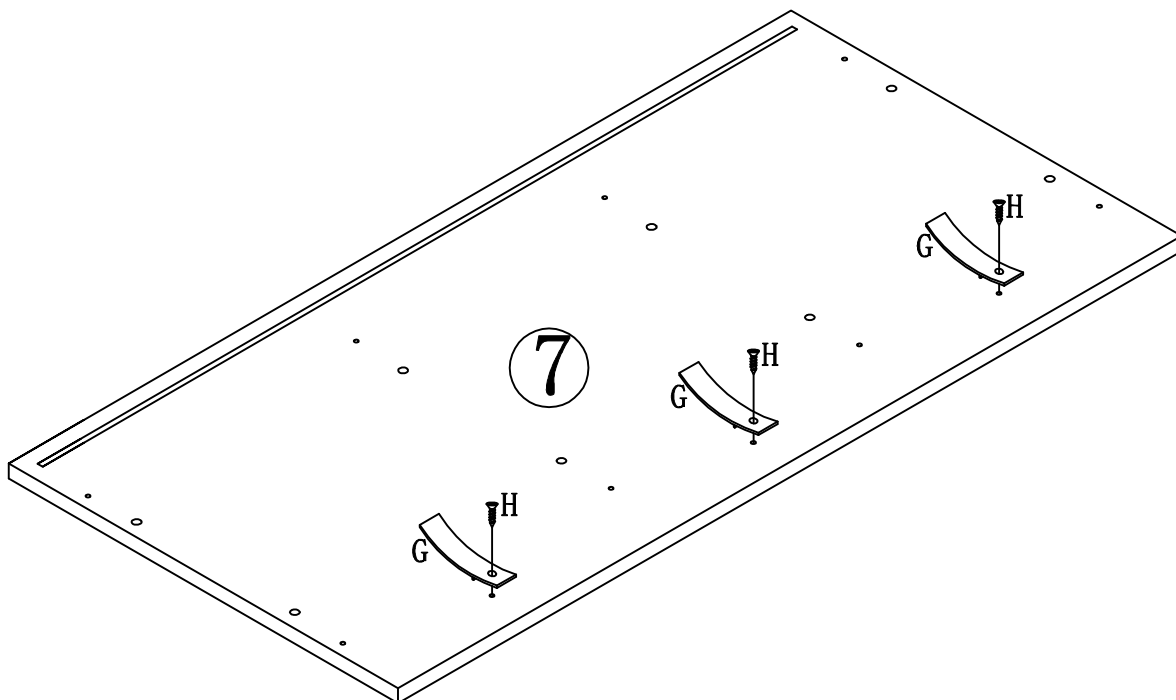
F	X12	G	*3	H	*3	I	*12	J	*16	K	*4
Φ 15X10		60*16mm		3.5*14mm		4*35mm		M6*12mm		M6*28	

STEP: 1



A	*8
Φ 6X35	

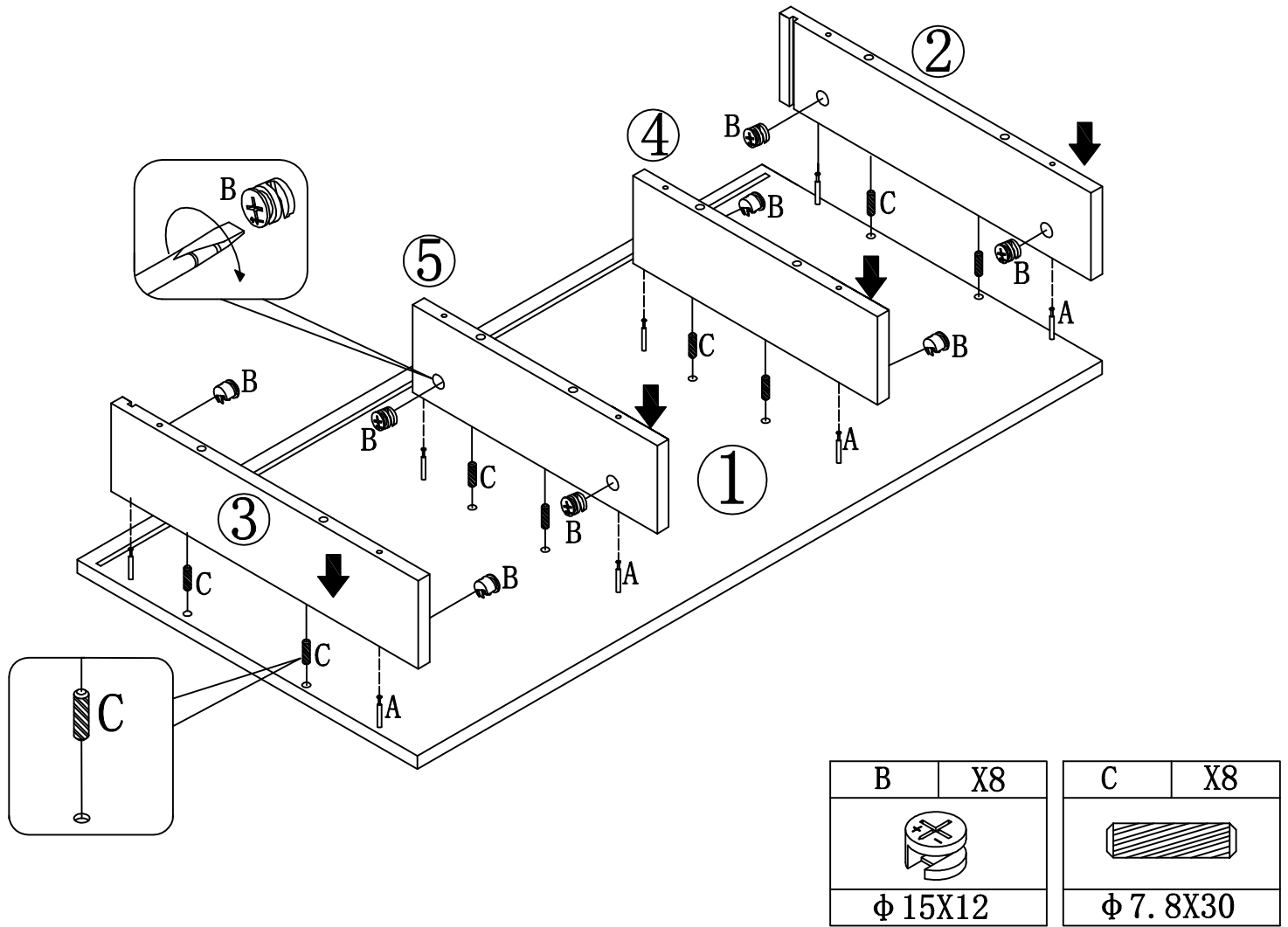
STEP: 2



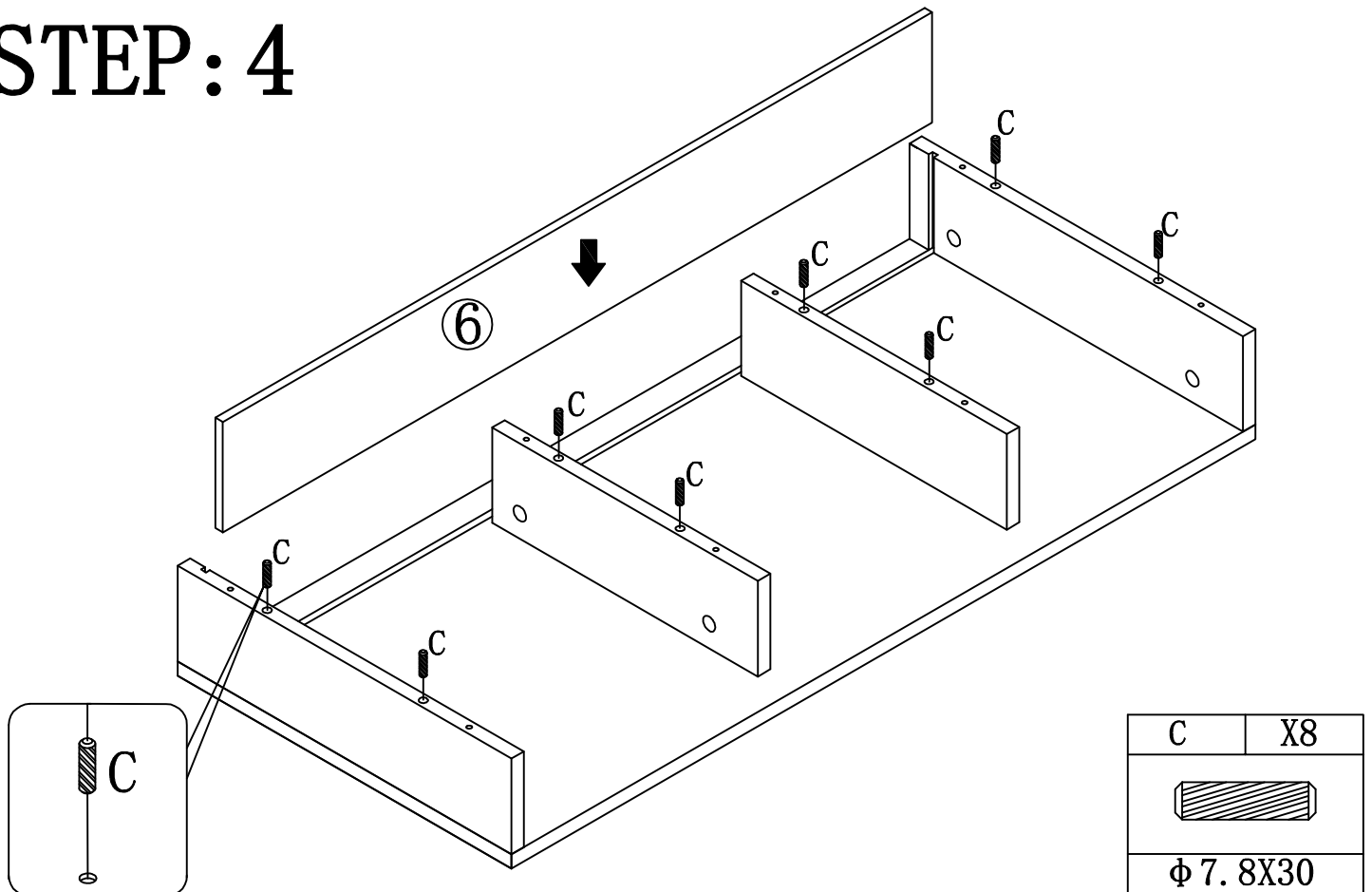
G	*3
60*16mm	

H	*3
3.5*14mm	

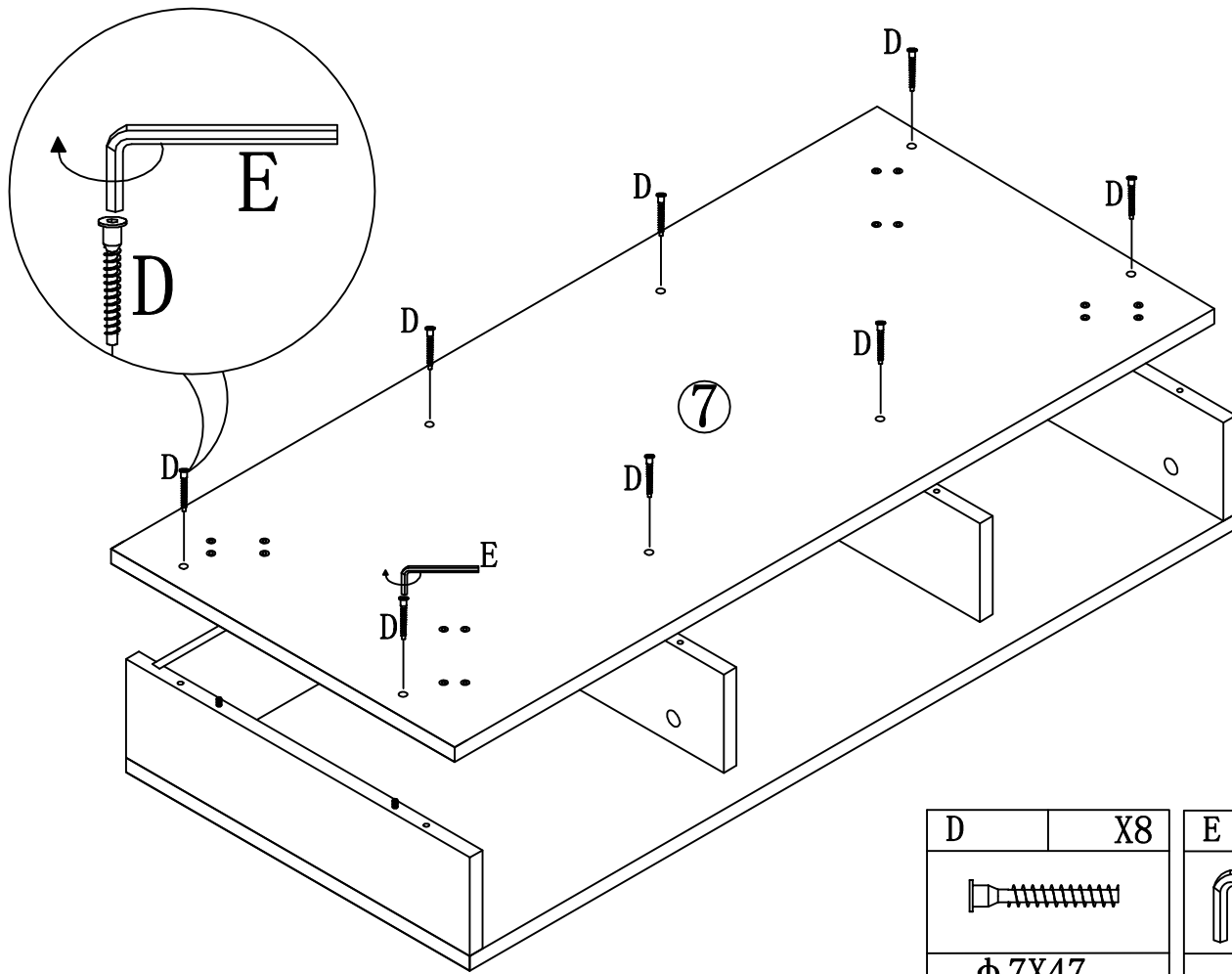
STEP: 3

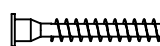



STEP: 4

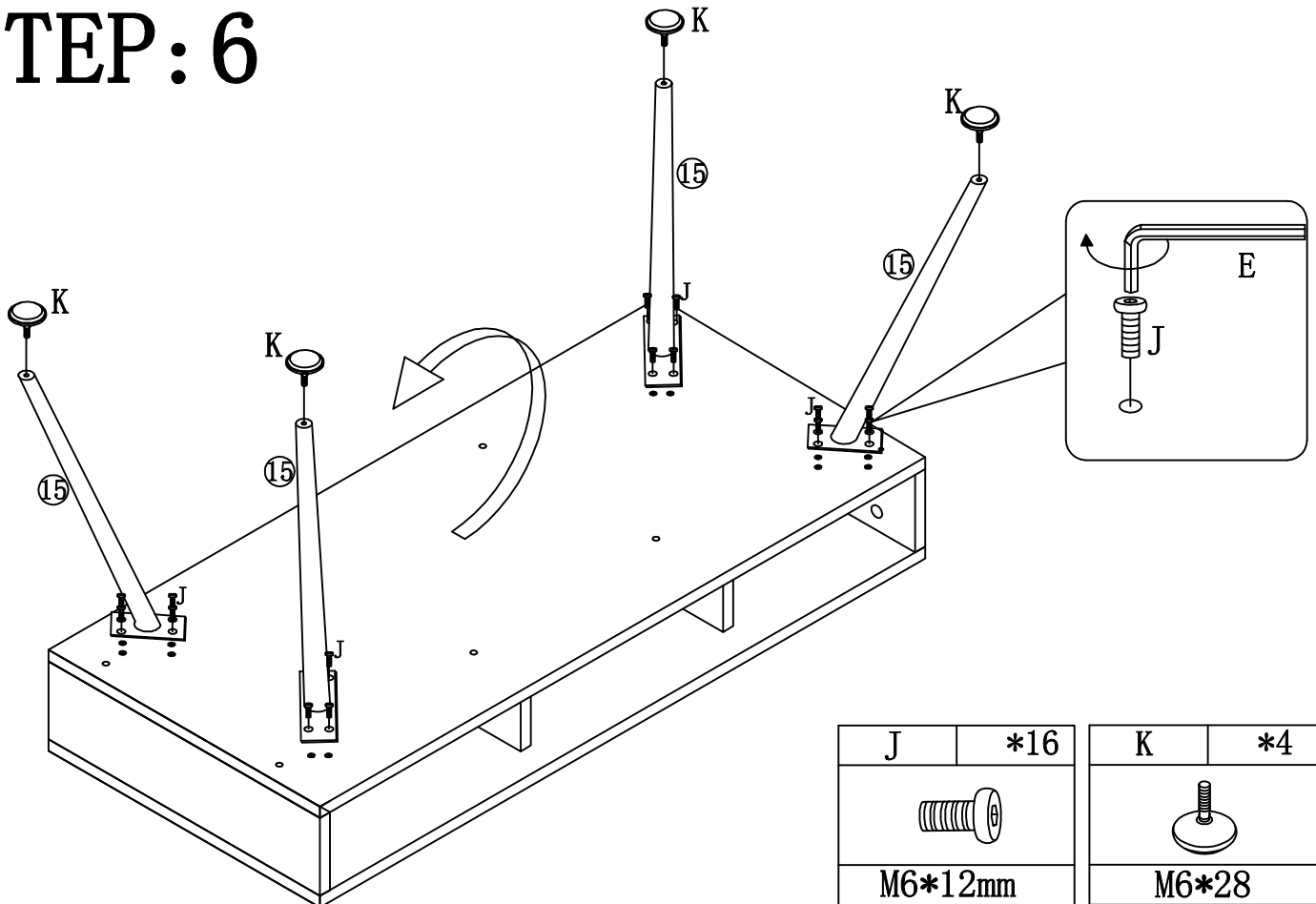


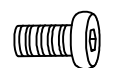
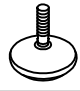
STEP: 5



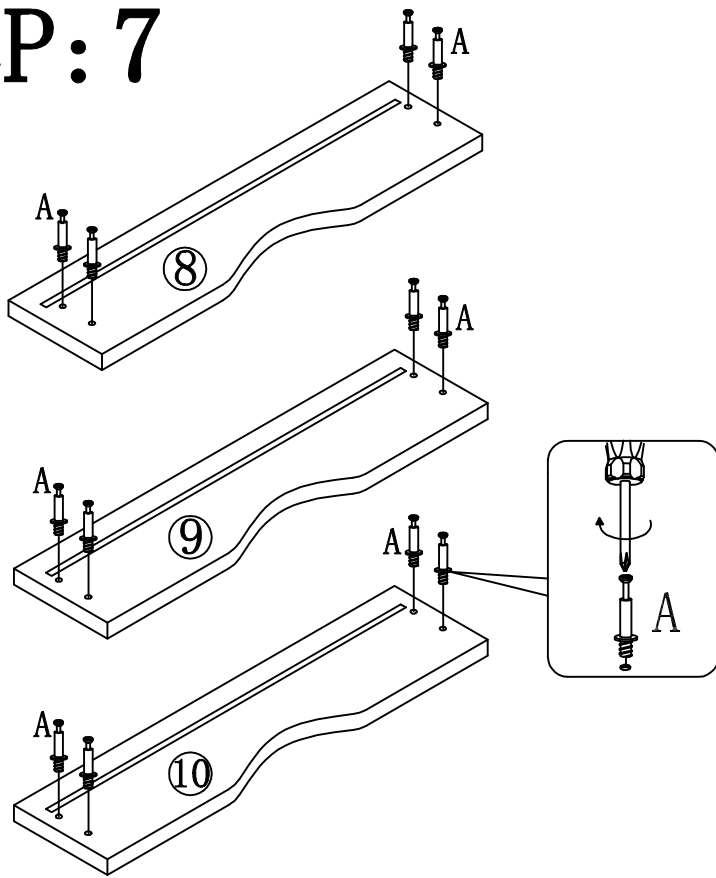
D	X8	E	X1
			
Φ 7X47		M4X55	

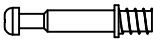
STEP: 6



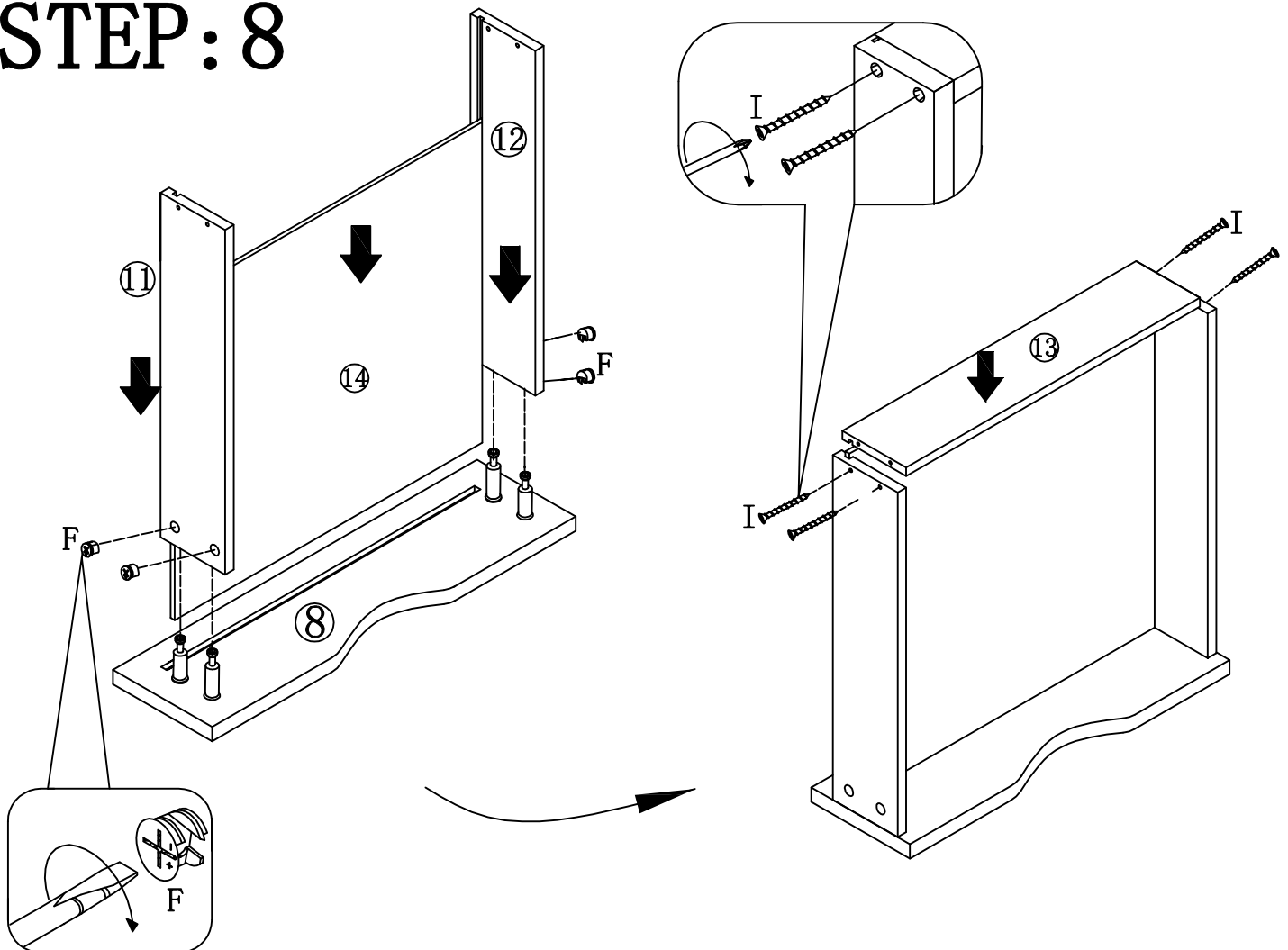
J	*16	K	*4
			
M6*12mm		M6*28	

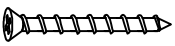

STEP: 7



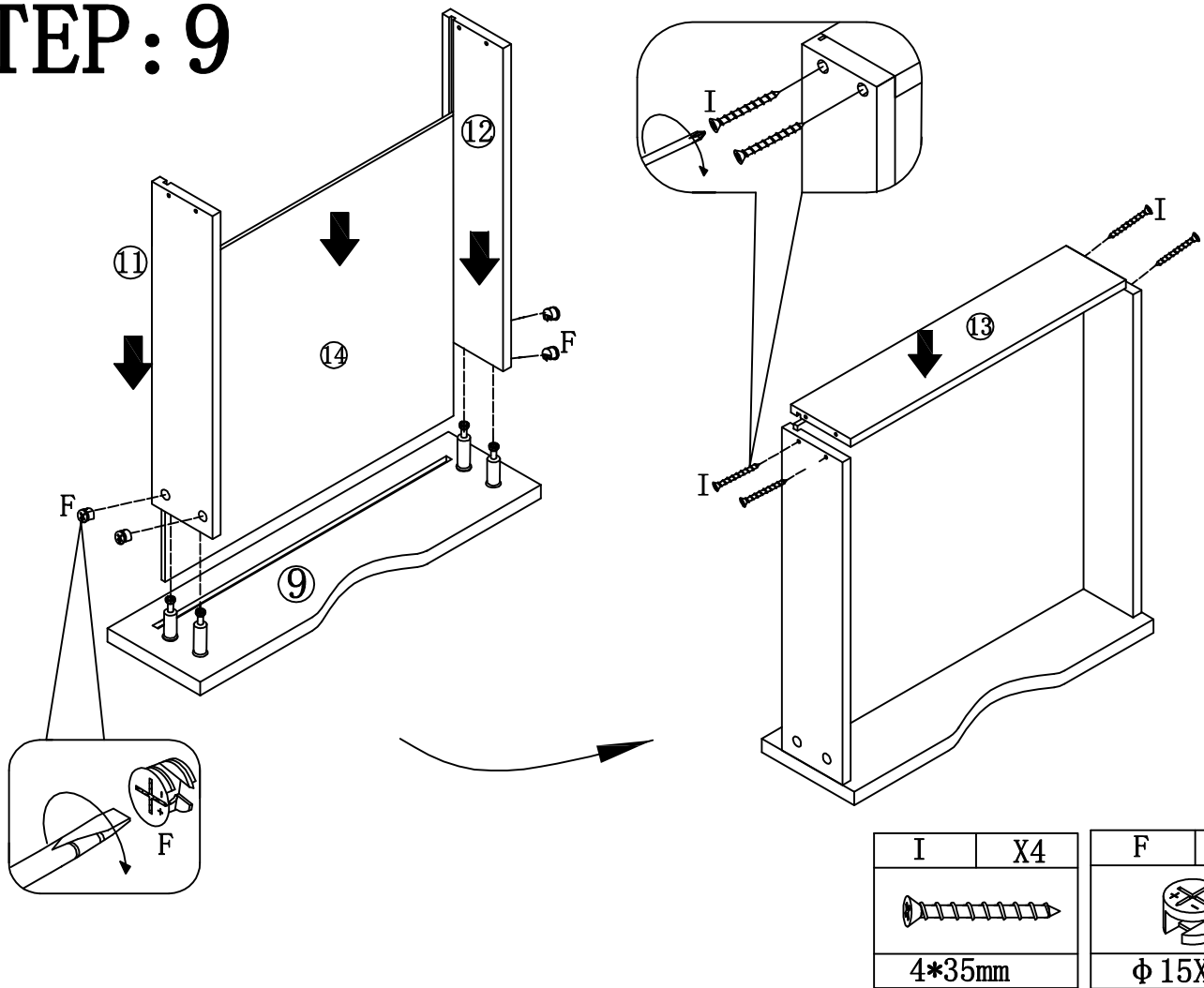
A	*12
	
$\phi 6 \times 35$	

STEP: 8

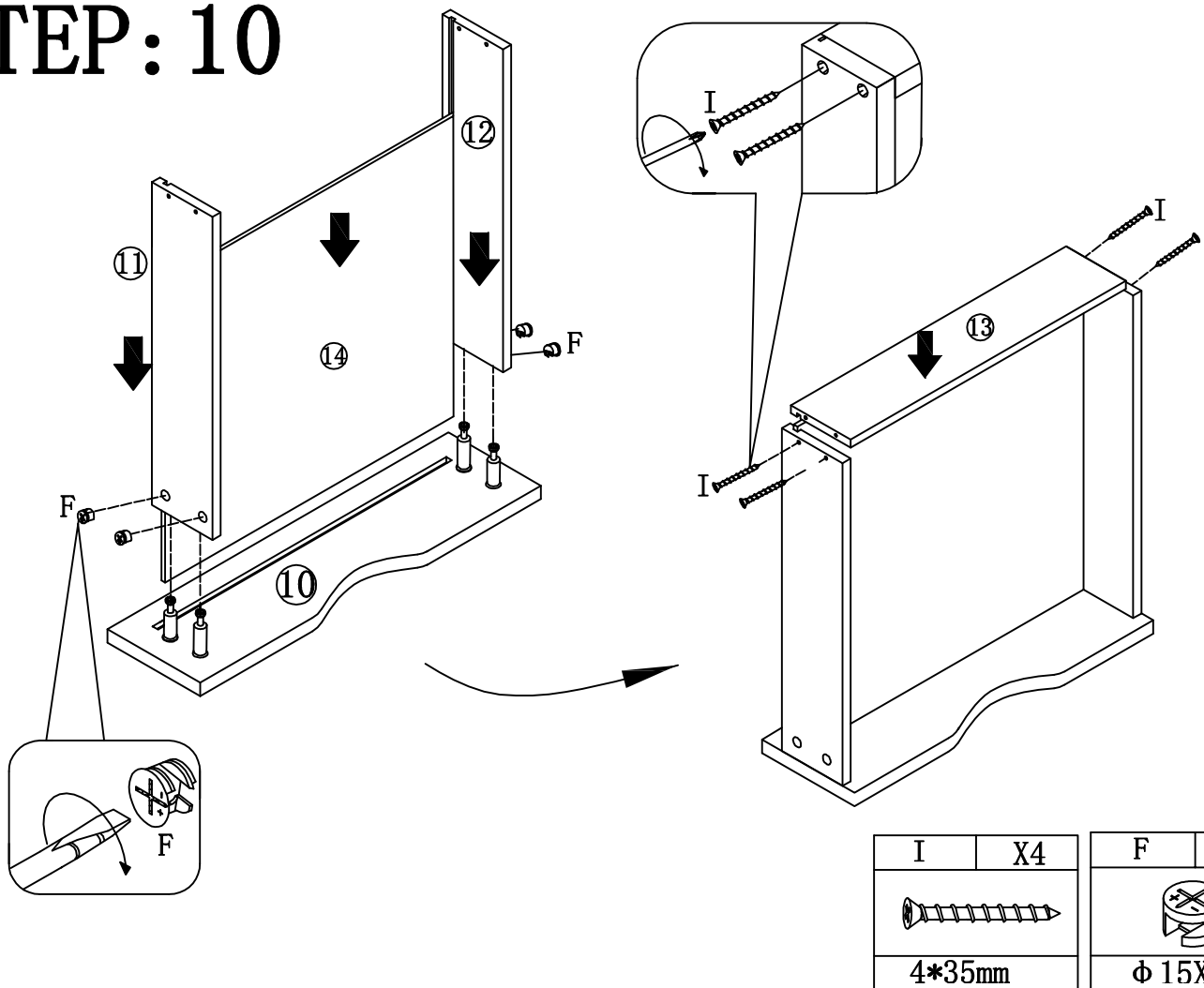


I	X4	F	X4
			
$4 \times 35 \text{mm}$		$\phi 15 \times 10$	

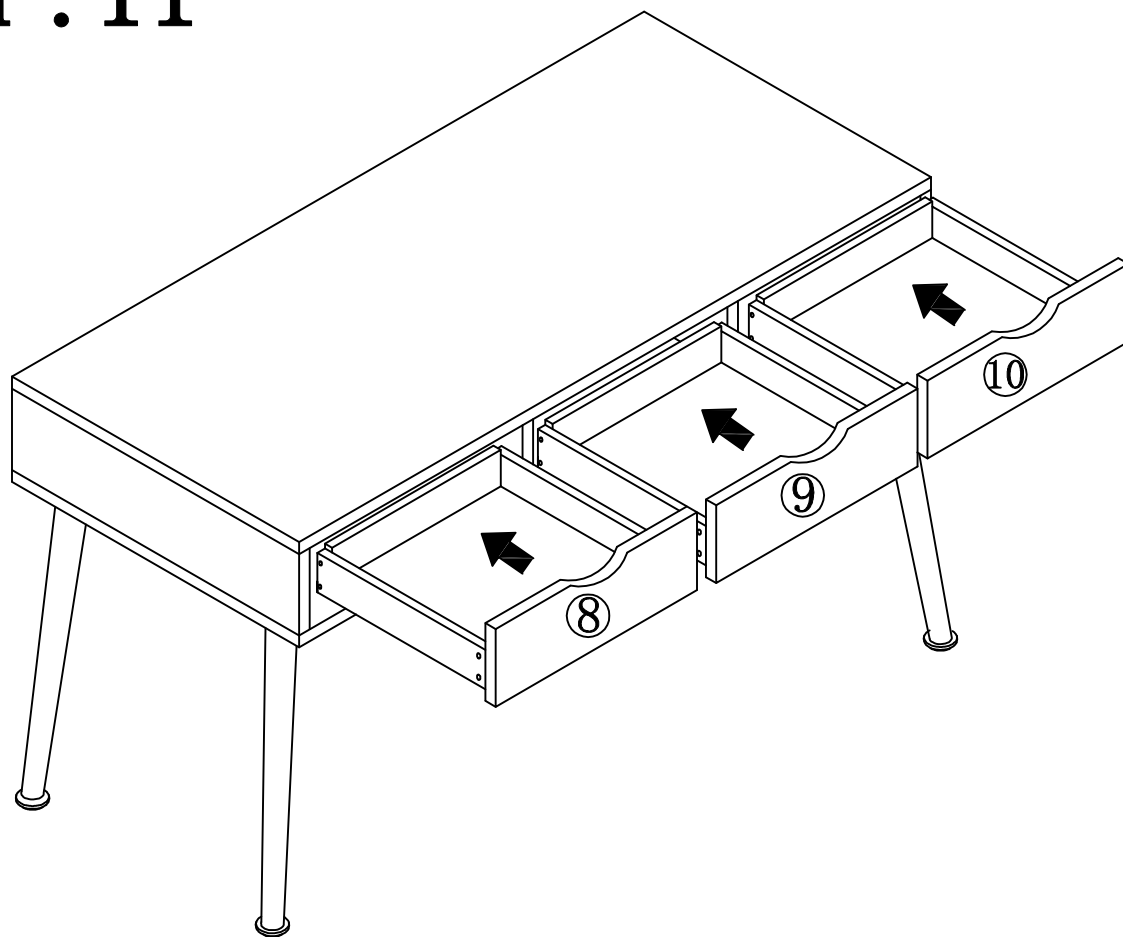
STEP: 9



STEP: 10



STEP: 11



STEP: 12

