



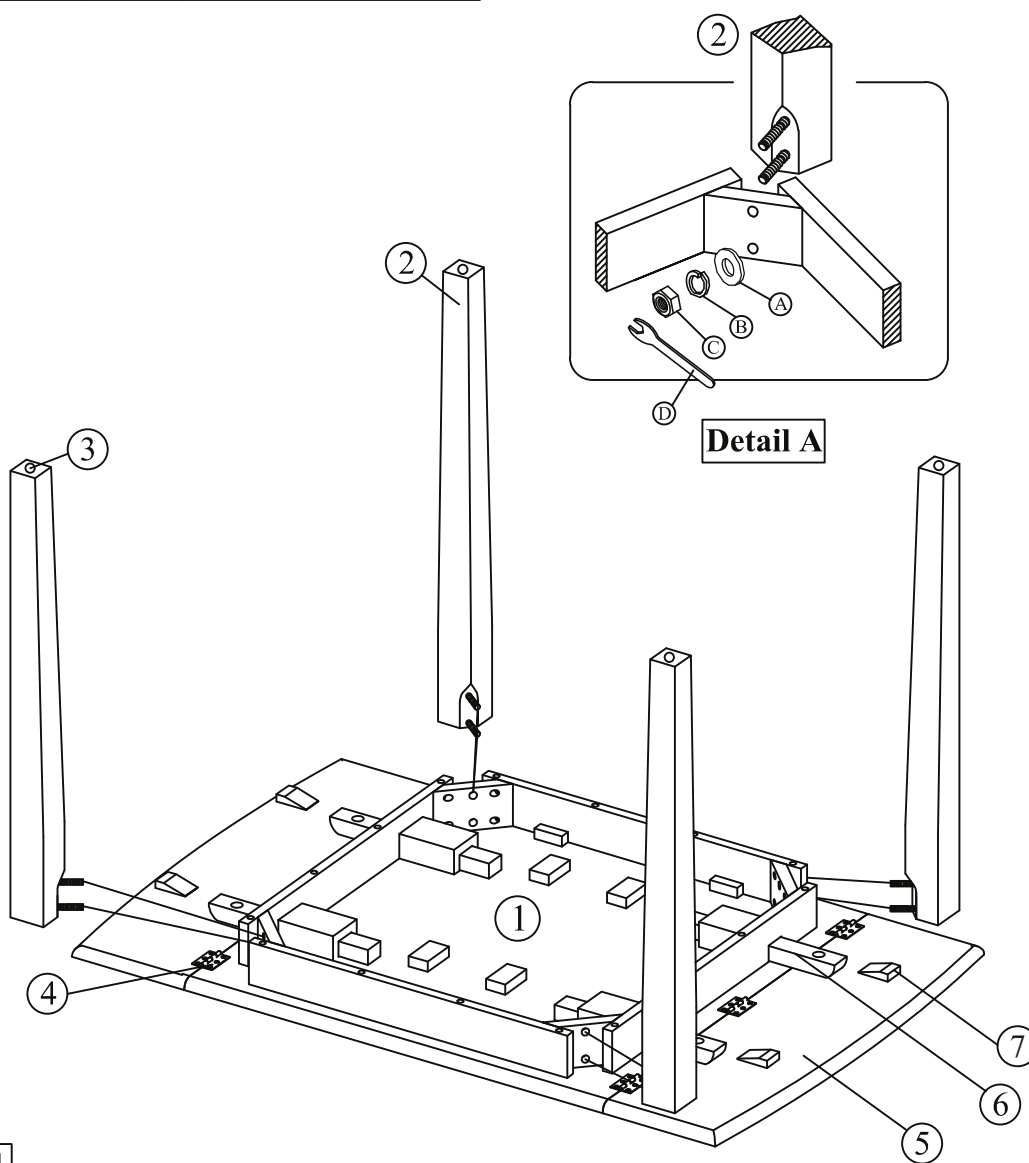


ASSEMBLY INSTRUCTIONS & PARTS IDENTIFICATION COUNTER DROP LEAF WHITE

Thank you for purchasing this quality product. Be sure to check all packing material carefully for small parts that may have come loose inside the carton during shipment

Parts Key			
No	Code	Qty	Description
1	A	1 pc	Table Top
2	B	4pcs	Table Leg
3	C	4pcs	Floor Glide
4	D	6pcs	Hinge with Screws
5	E	2pcs	Drop Leaf
6	F	4pcs	Drop Leaf support
7	G	4pcs	Drop Leaf Wedge

Hardware kit			
No	Description		Qty
A		Flat washer Ø5/16"	8 pcs
B		Lock washer Ø5/16"	8 pcs
C		Nut Ø5/16"	8 pcs
D		Key wrench	1 pc



STEP 1

- Carefully lay Table Top upside down on a smooth flat surface to prevent scratches.
- Affix each Leg to each corner of the Table Top as shown in illustration. Insert a Flat Washer, Lock Washer and Nut on to the bolts of each Leg
- Once all Legs are in place, fully tighten nuts by turning clockwise using provided Key Wrench until secure. (See Detail A)