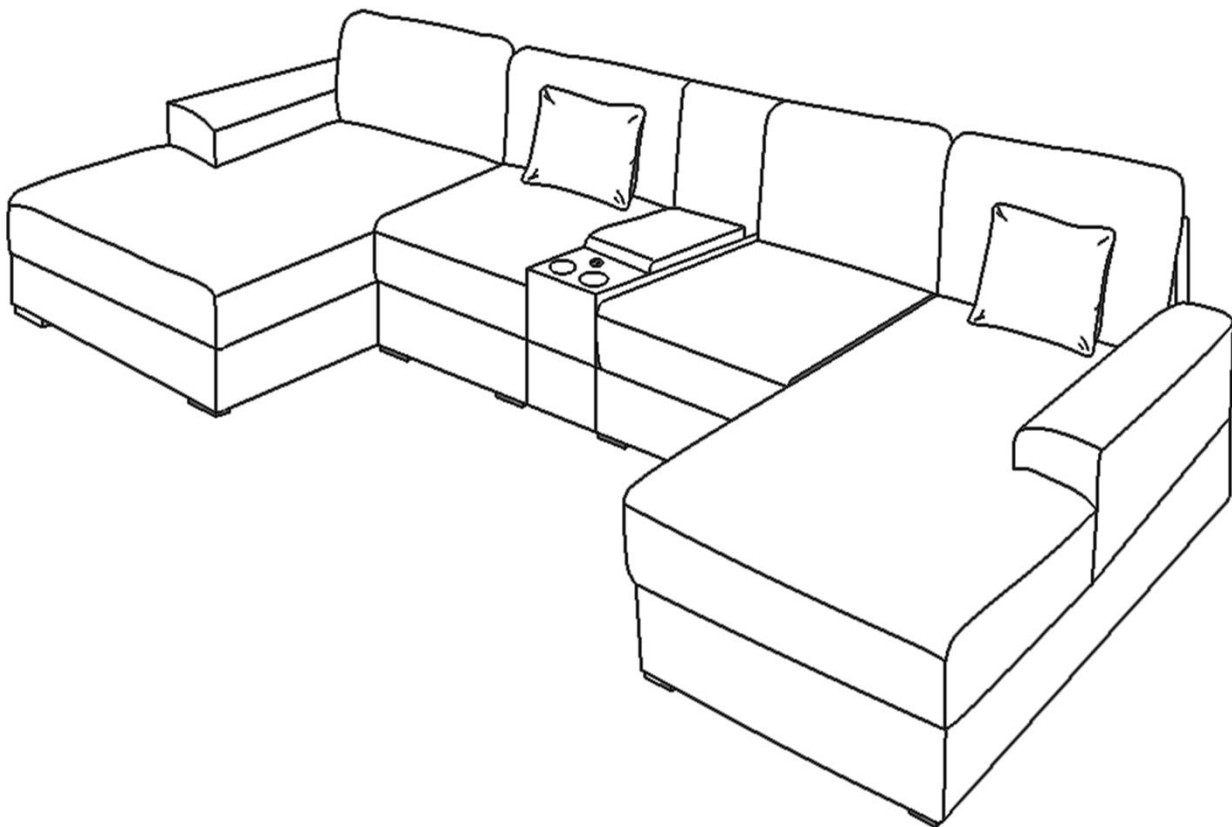
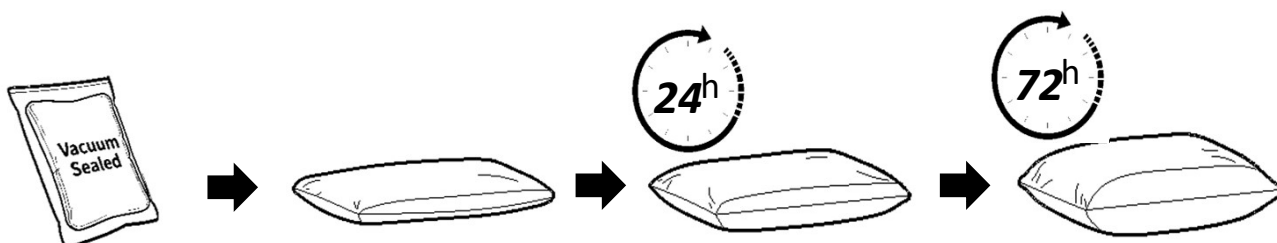


# ASSEMBLY INSTRUCTION

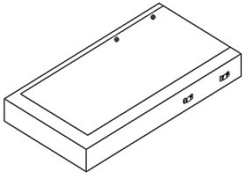
## SOFA 509



**Note:** It's common to see that after long-time vacuum-sealed packaging, some parts may look flattened than expected after unpacking. Just pat slightly and let them rest for 24 to 72 hours to help them regain their original shape.



# PART LIST



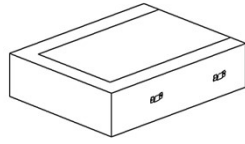
**A**

x 1



**B**

x 2



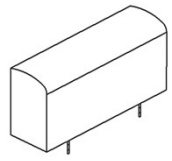
**C**

x 2



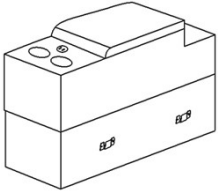
**D**

x 2



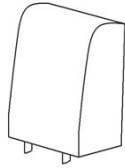
**E**

x 2



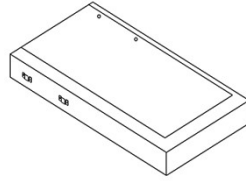
**F**

x 1



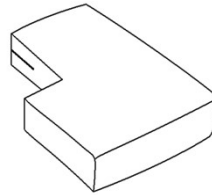
**G**

x 1



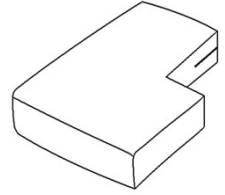
**H**

x 1



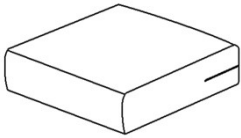
**I**

x 1



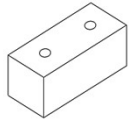
**J**

x 1



**K**

x 2



**L**

x 16



**M**

x 4



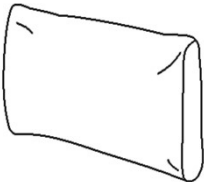
**N**

x 32



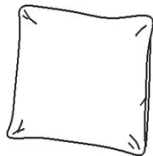
**O**

x 1



**P**

x 4



**Q**

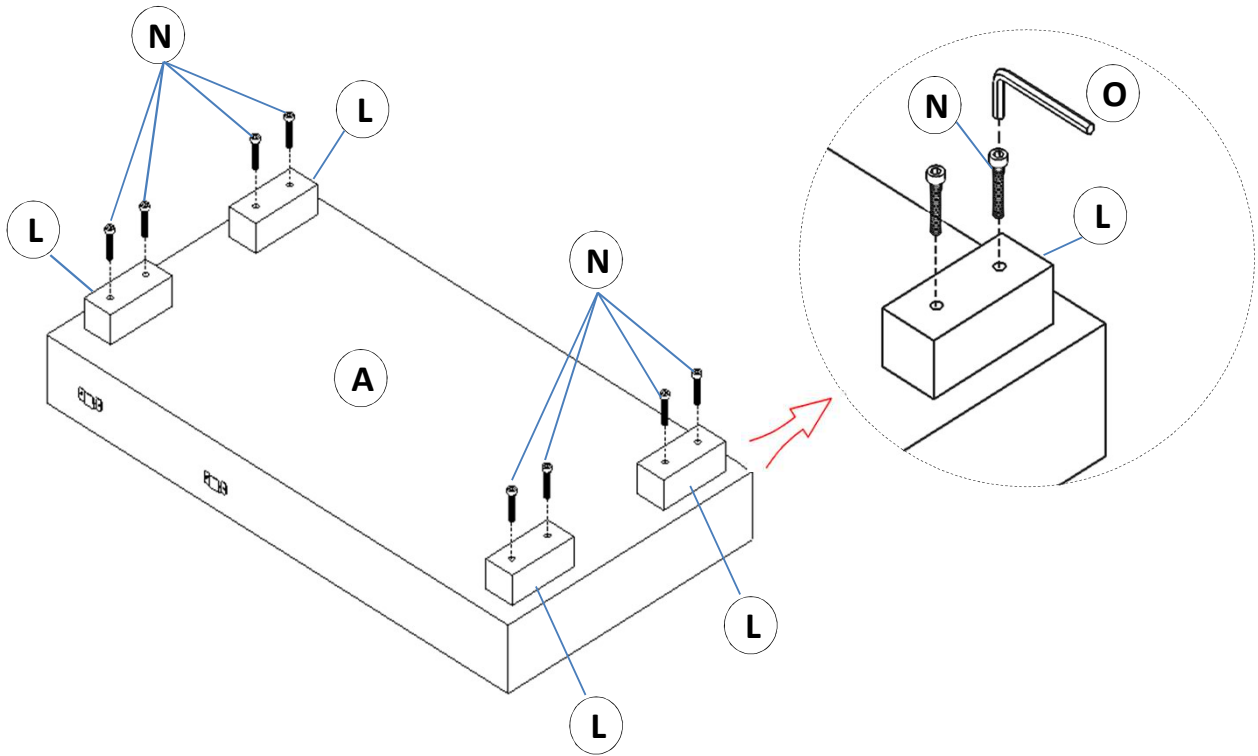
x 2

# Step 1

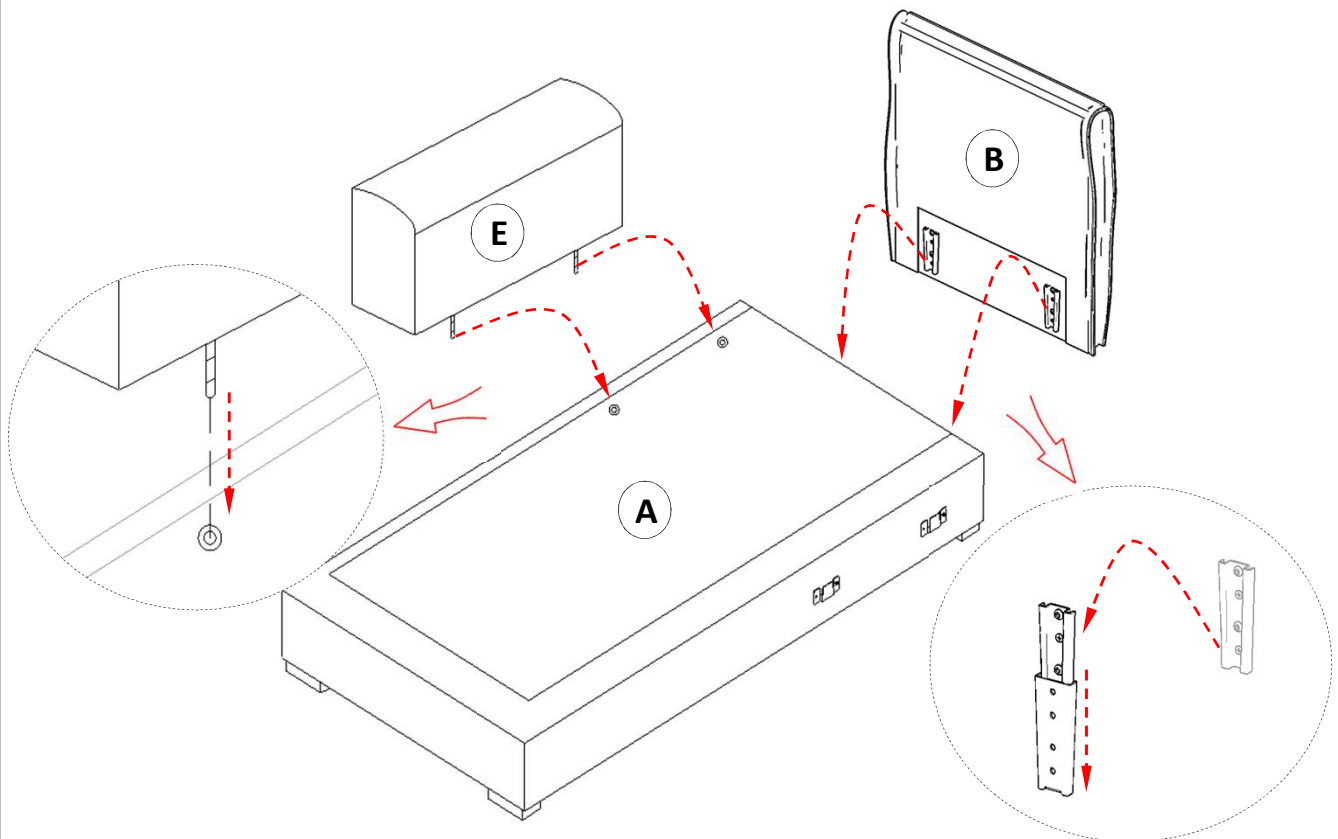
N



X 8

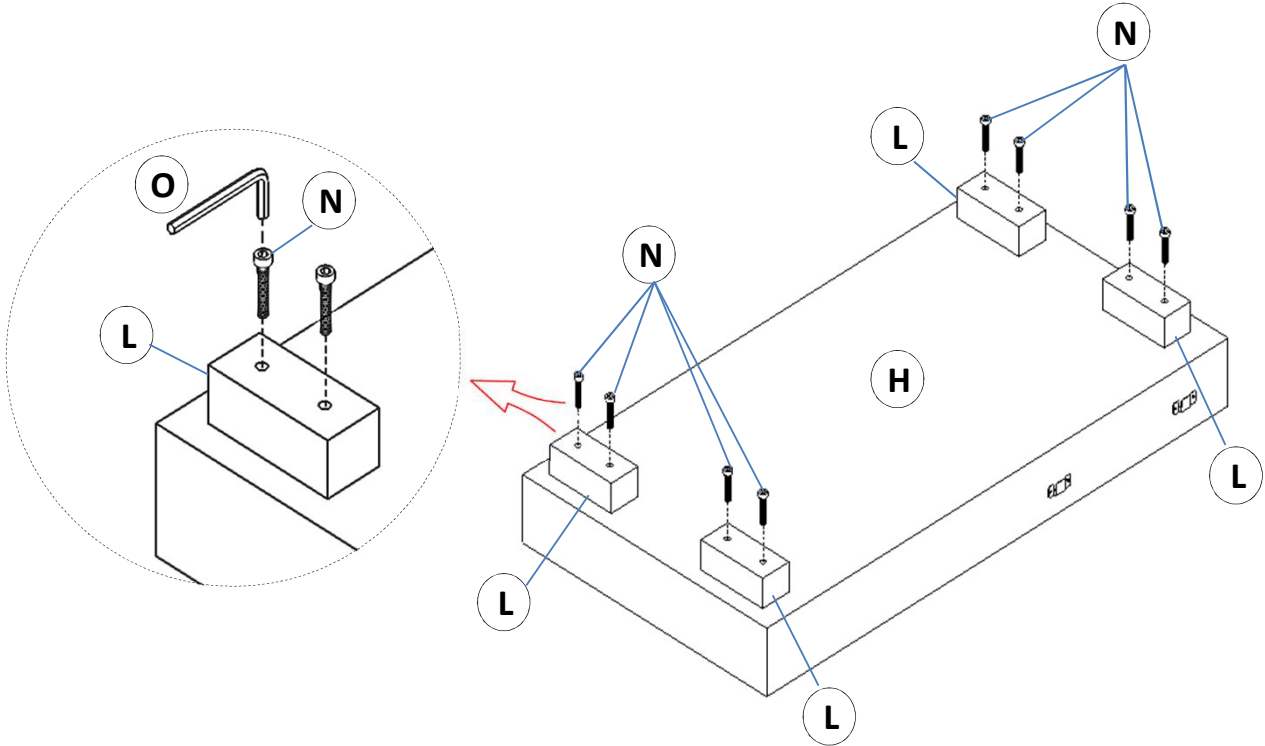


# Step 2

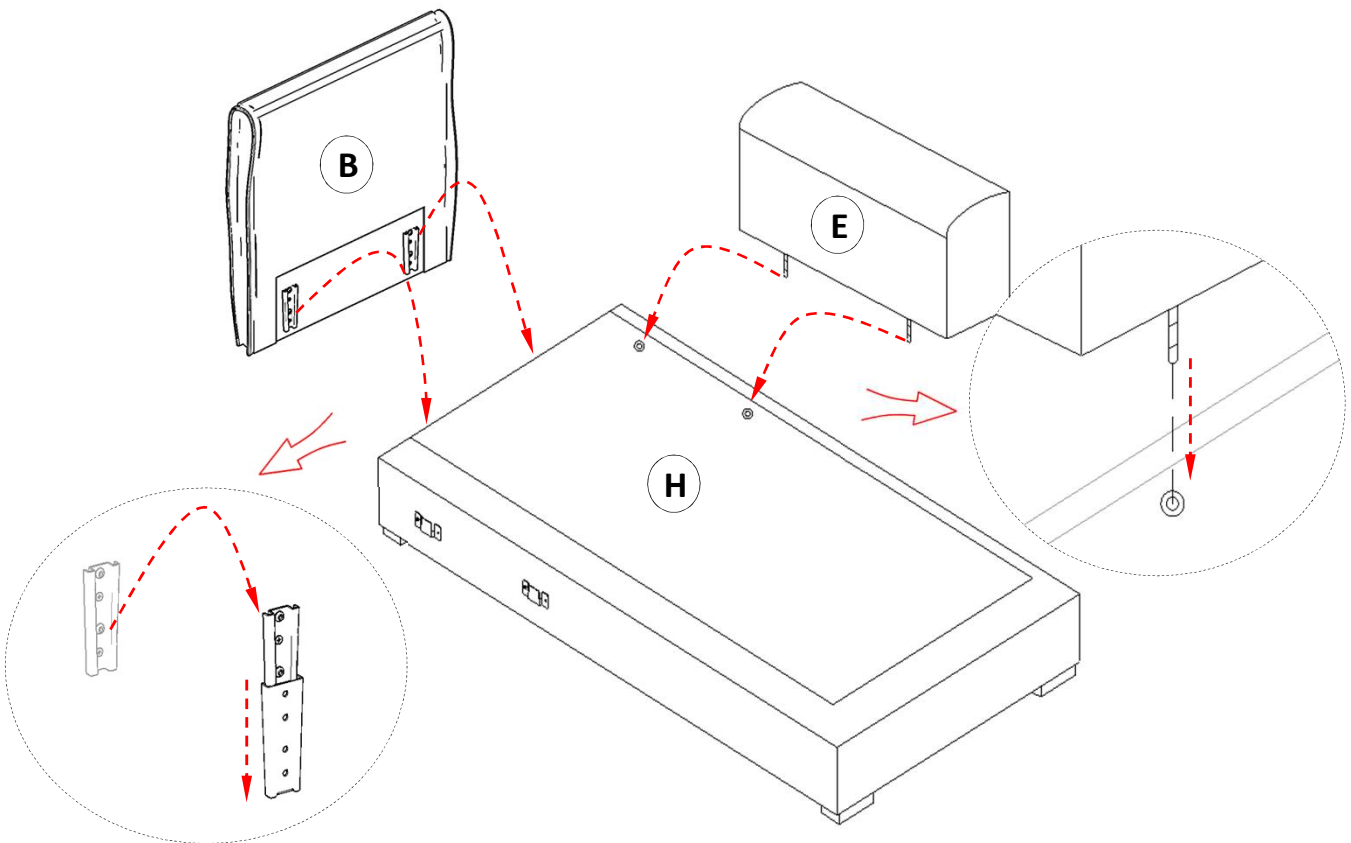


# Step 3

(N)  X 8

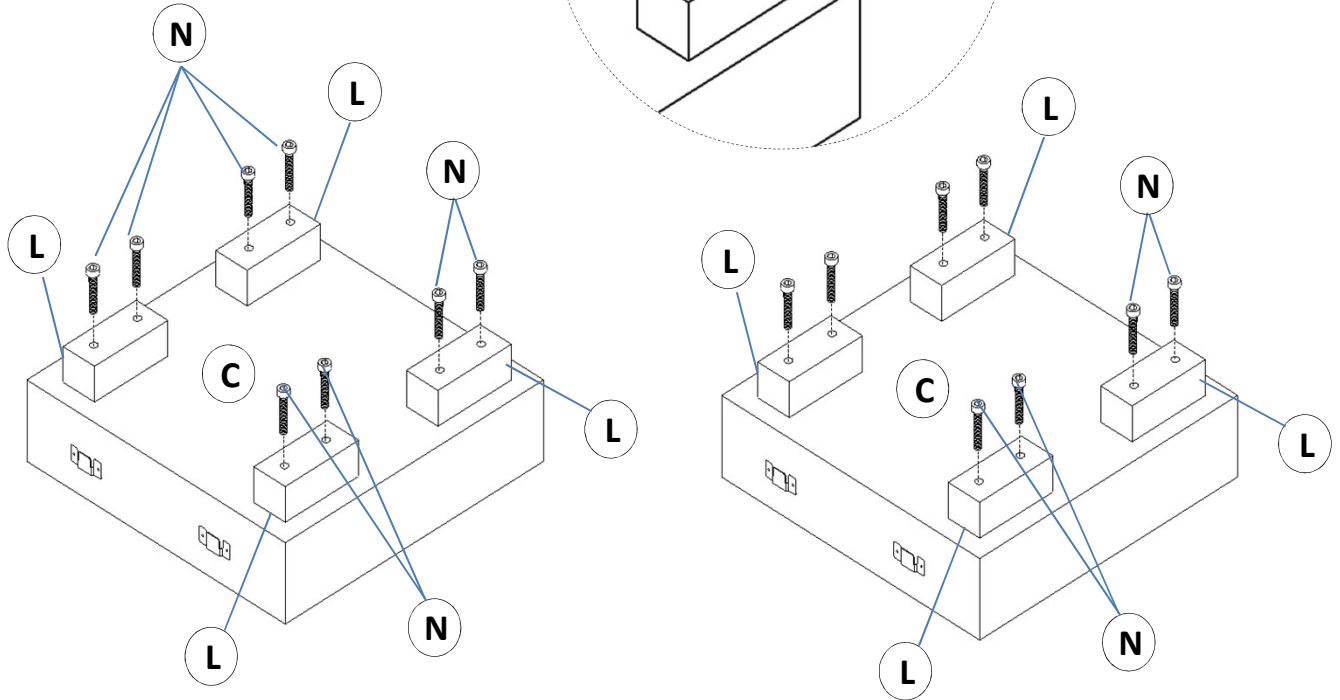


# Step 4

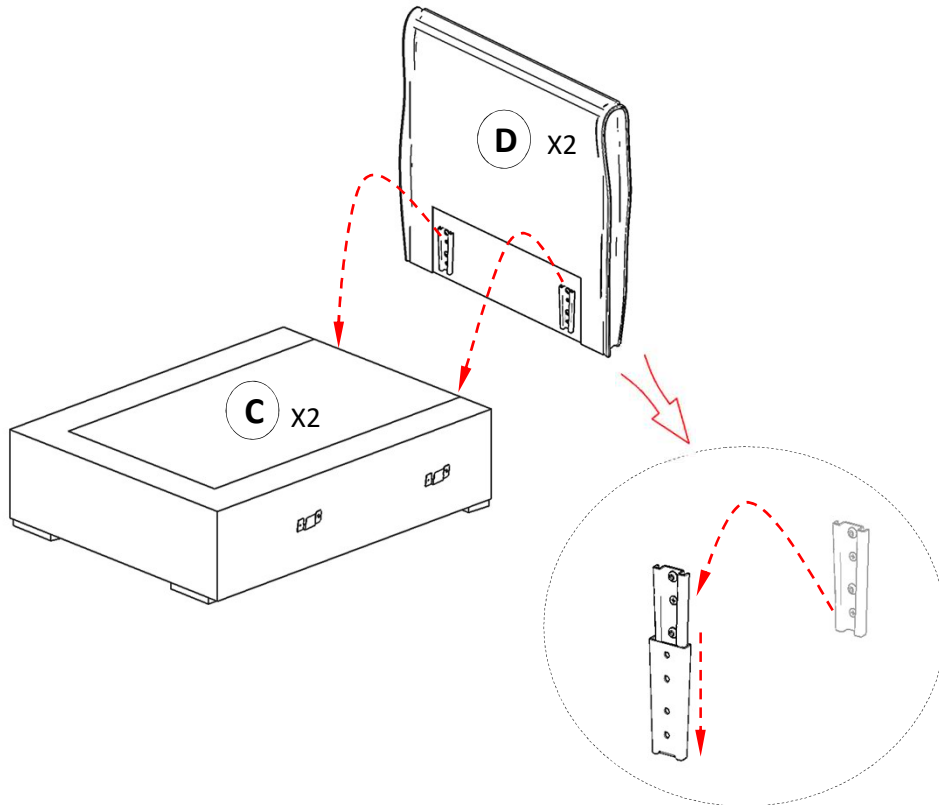


# Step 5

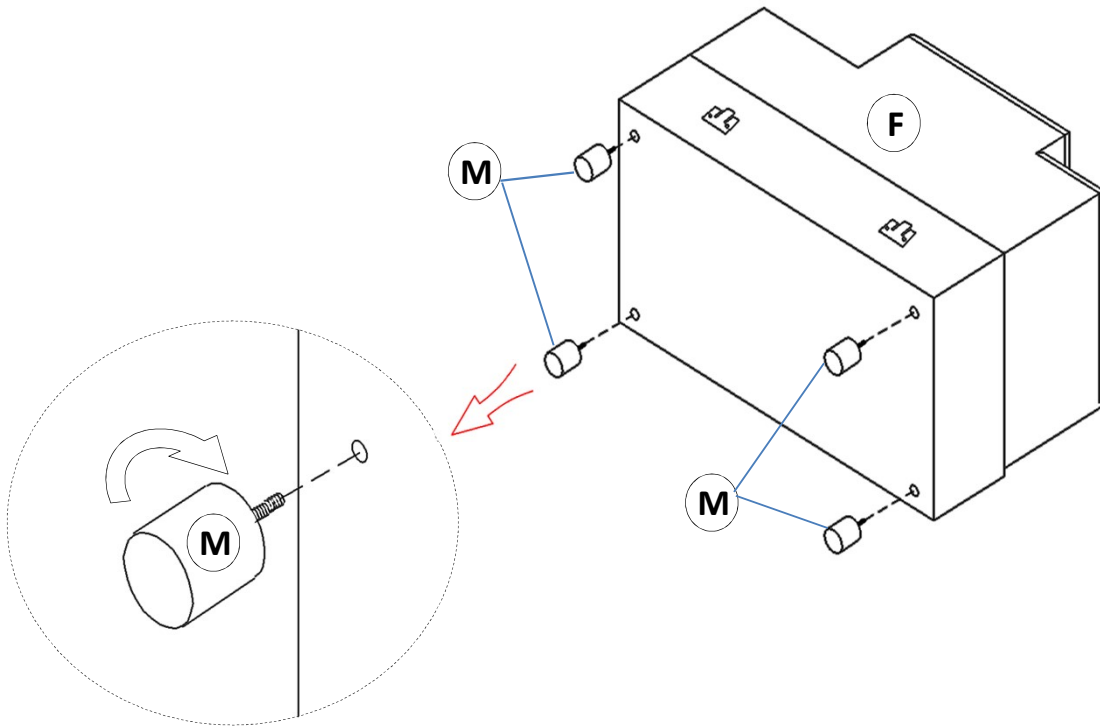
**N**  X 16



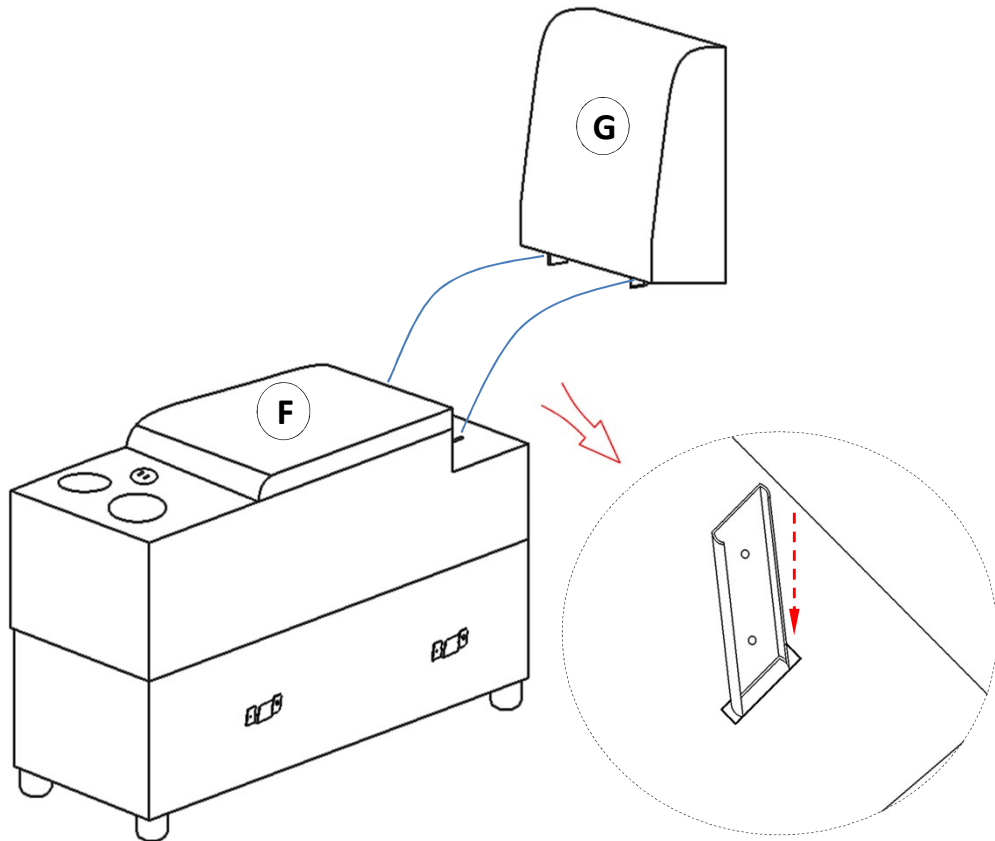
# Step 6



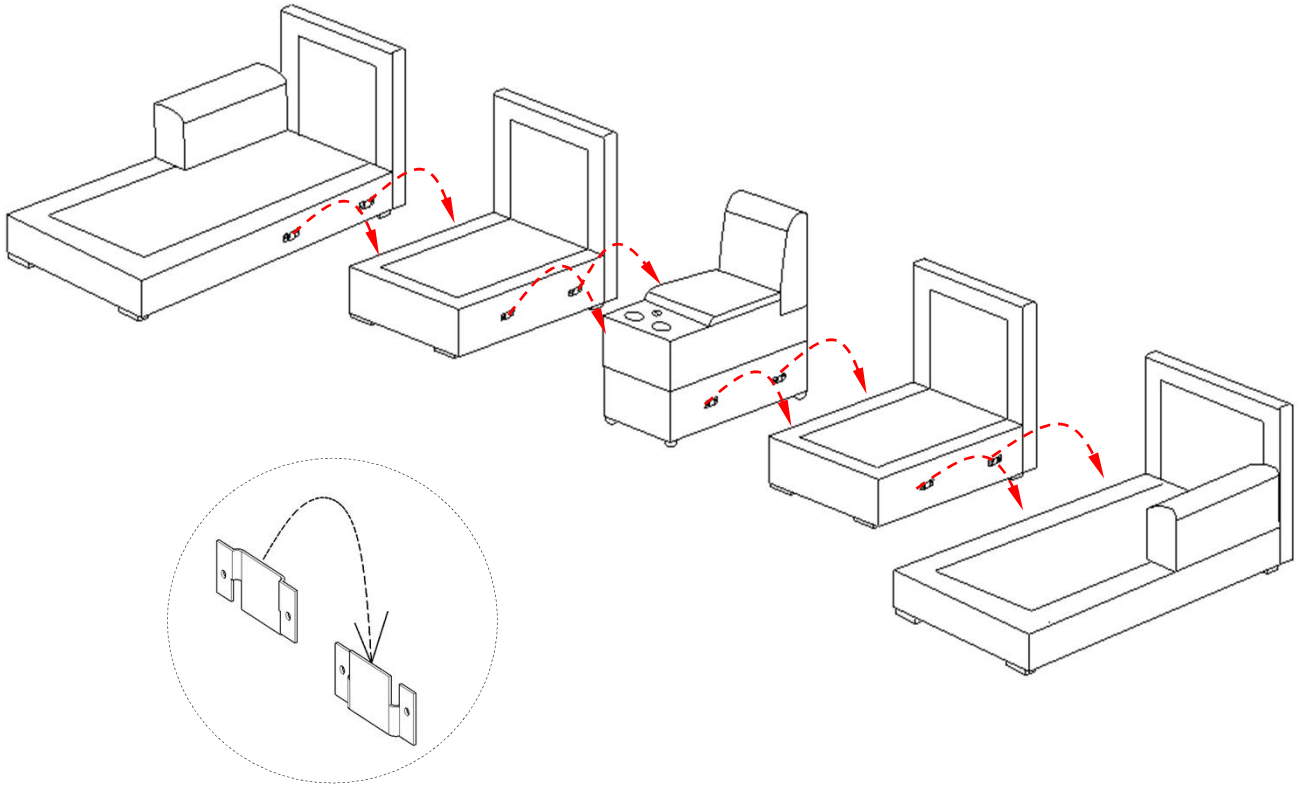
## Step 7



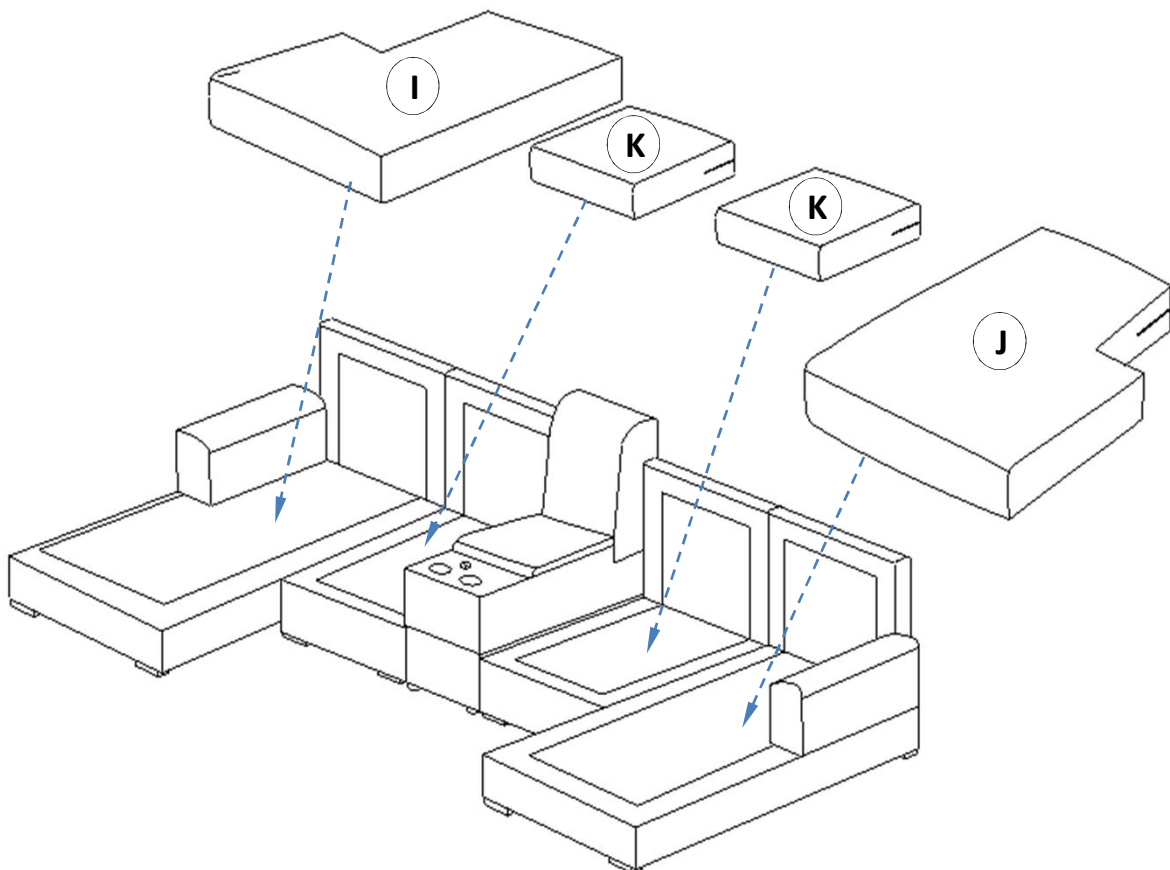
## Step 8



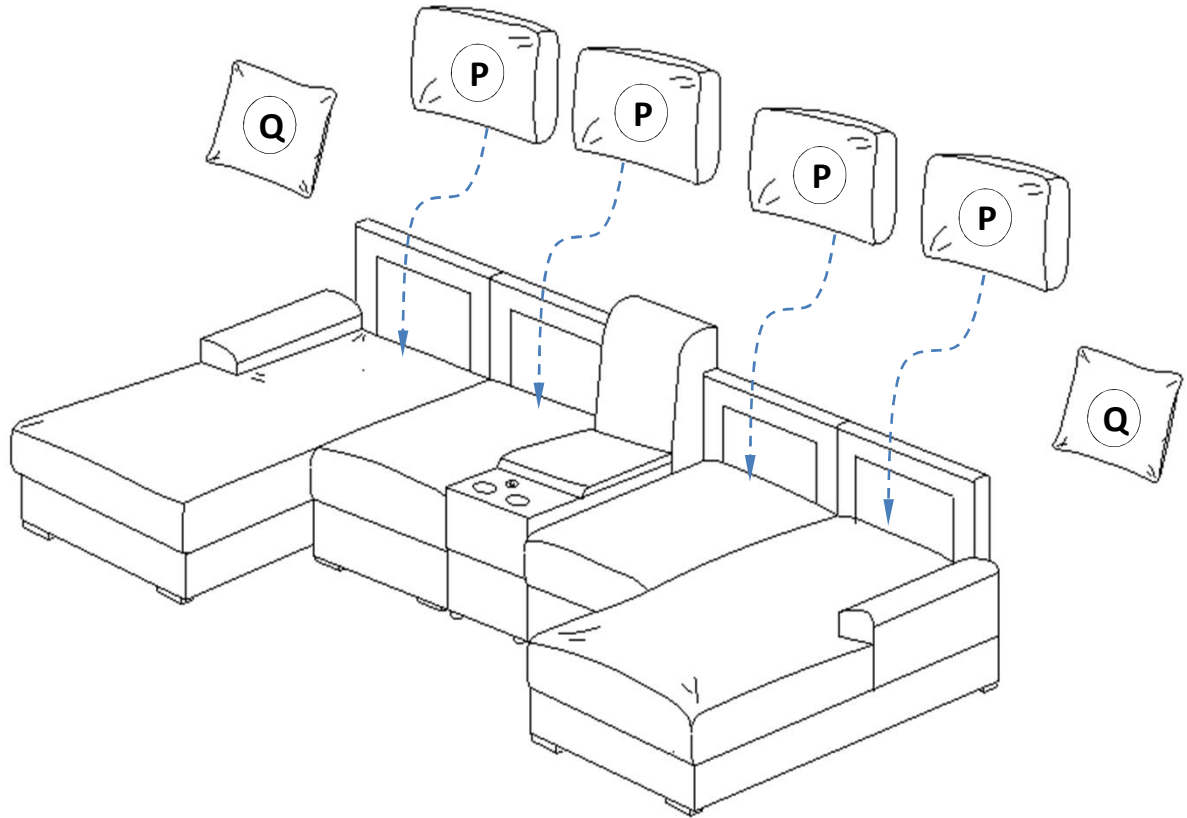
## Step 9



## Step 10



## Step 11



## Step 12

