

24" Wine Cooler

Model: RW145DR – 46 Bottle Dual Zone

Product Specifications

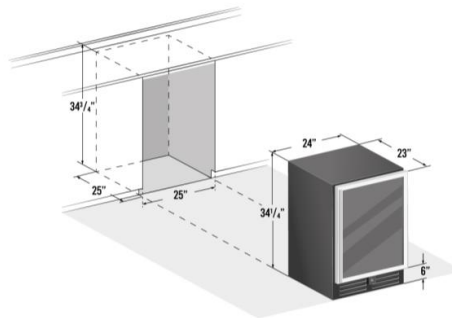


Warranty	1 Year Total, 3 Year Compressor
Install Application	Built-In or Free Standing
Reversible Door	Reversible with Opening to Right or Left
Bottle Loading Capacity	46 Standard Bordeaux Bottles
Internal Volume	145 liters / 5.075 cu. Ft.
Upper Zone Temperature Range	41-54° Fahrenheit
Lower Zone Temperature Range	46-66 ° Fahrenheit
Electrical Power Rating	115V / 60 HZ
Amperage	7.2 Starting, 1.4 Running Amps
Input Power	160 Watts
Energy Consumption	353 kWh/yr
Power Cord Location	Lower Left Corner (When Viewing from Rear)
Sound Rating	40 db
Lighting	Blue LED
Wine Cooler Dimensions	34 1/4" H x 24" W x 23" D
Wine Cooler Weight	134 lbs
Boxed Shipping Dimensions	40" H x 30" W x 30" D
Boxed Shipping Weight	150 lbs
Security Lock	Yes

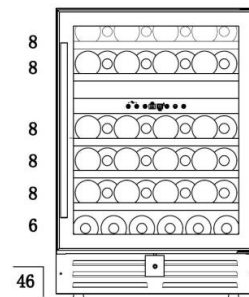
Wine Cooler Dimensions



Built-In Dimensions



Bottle Loading Diagram



Contact us for additional information
 877-408-5402
Customerservice@smithandhanks.com
SmithandHanks.com

