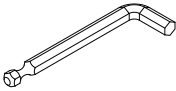
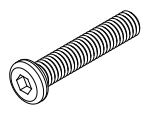
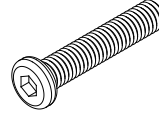
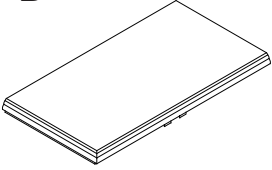
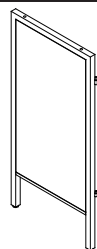
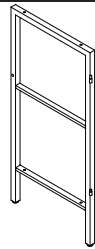
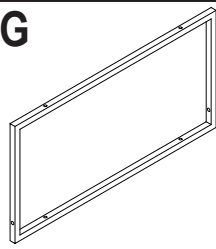
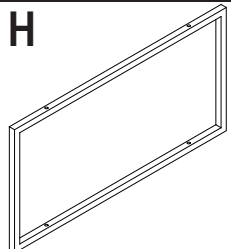
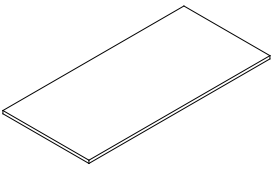
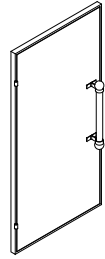
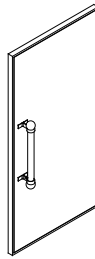
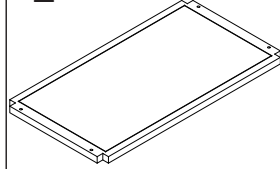


# Assembly Instruction

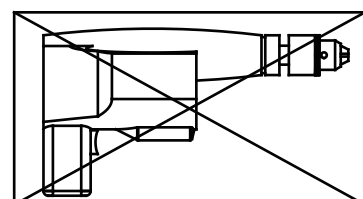
## HARDWARE LIST

<b>A</b> 	<b>B</b>  M6x25mm	<b>C</b>  M6x30mm		
1 PC	12 PCS	4 PCS		

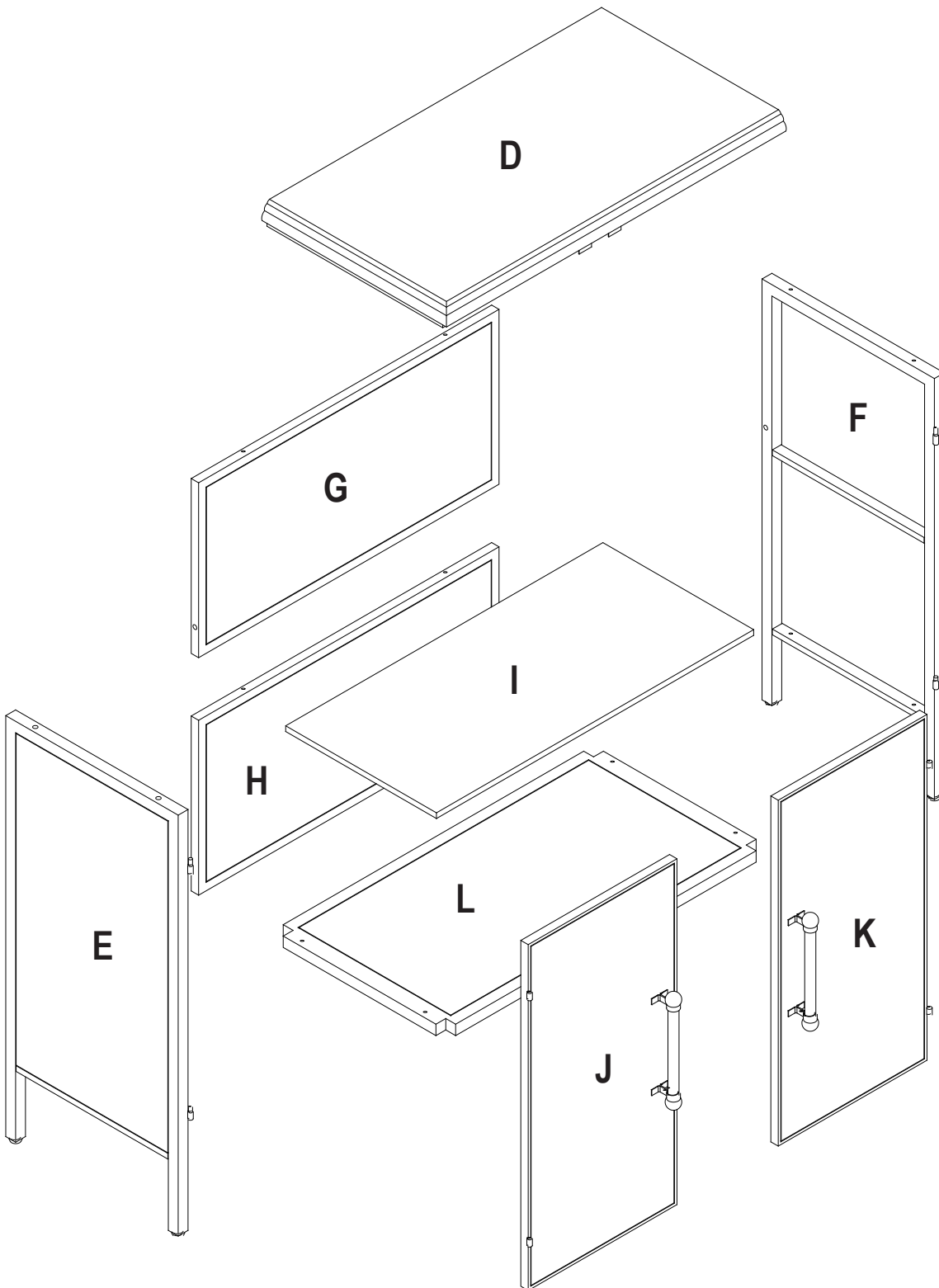
## PART LIST

<b>D</b> 	<b>E</b> 	<b>F</b> 	<b>G</b> 	<b>H</b> 
1 PC	1 PC	1 PC	1 PC	1 PC
<b>I</b> 	<b>J</b> 	<b>K</b> 	<b>L</b> 	
1 PC	1 PC	1 PC	1 PC	

- Do not use power tools to assemble your furniture. Power tools may strip or damage the parts.

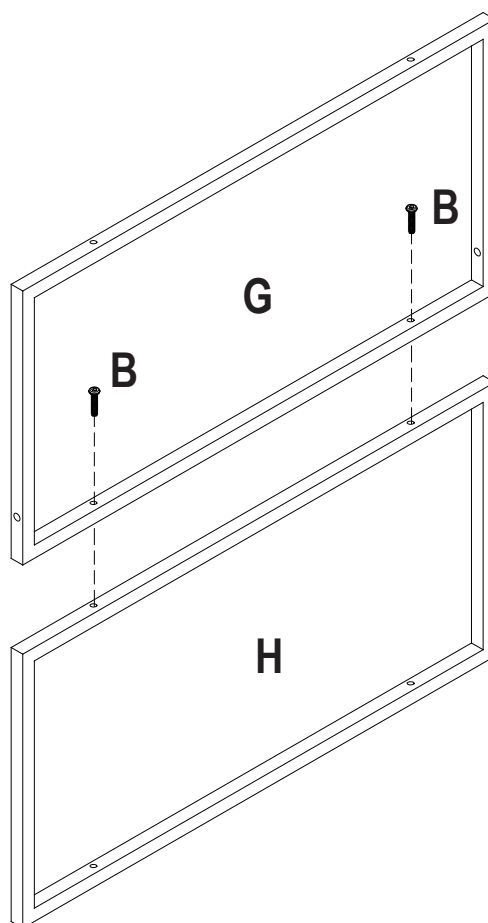
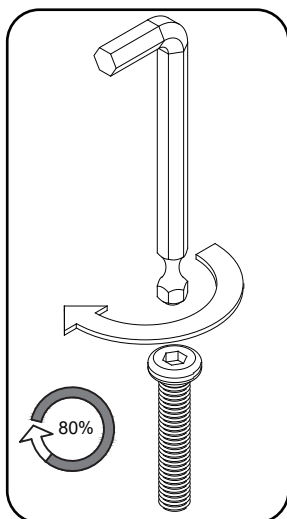


# Explosive View



**IMPORTANT NOTE: DO NOT** tighten all screws and bolts until completely assembled

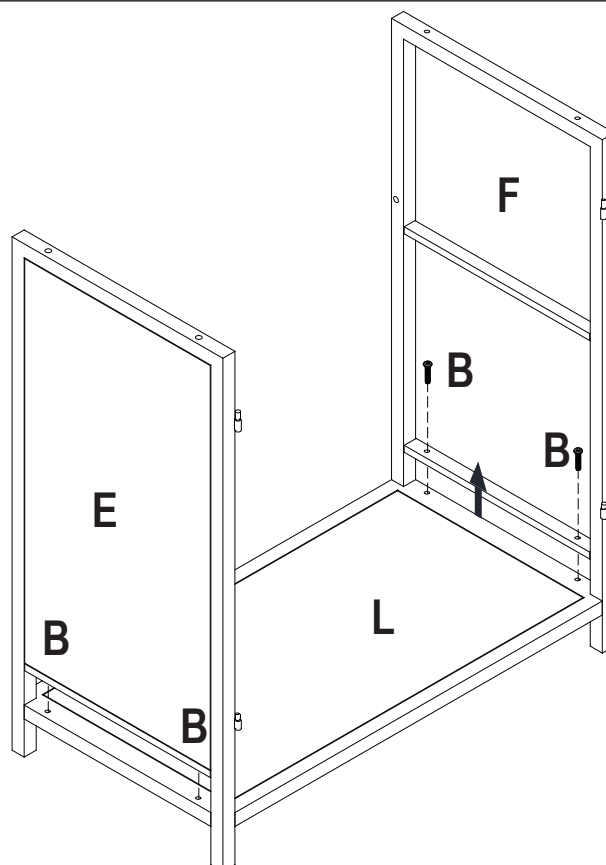
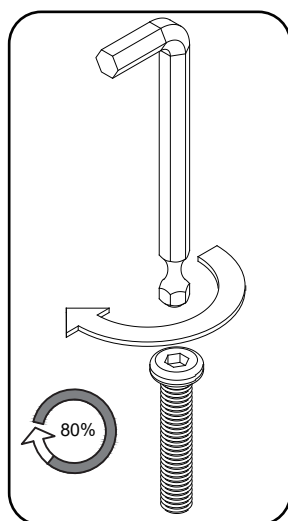
## Step 1



**A X 1 PC**

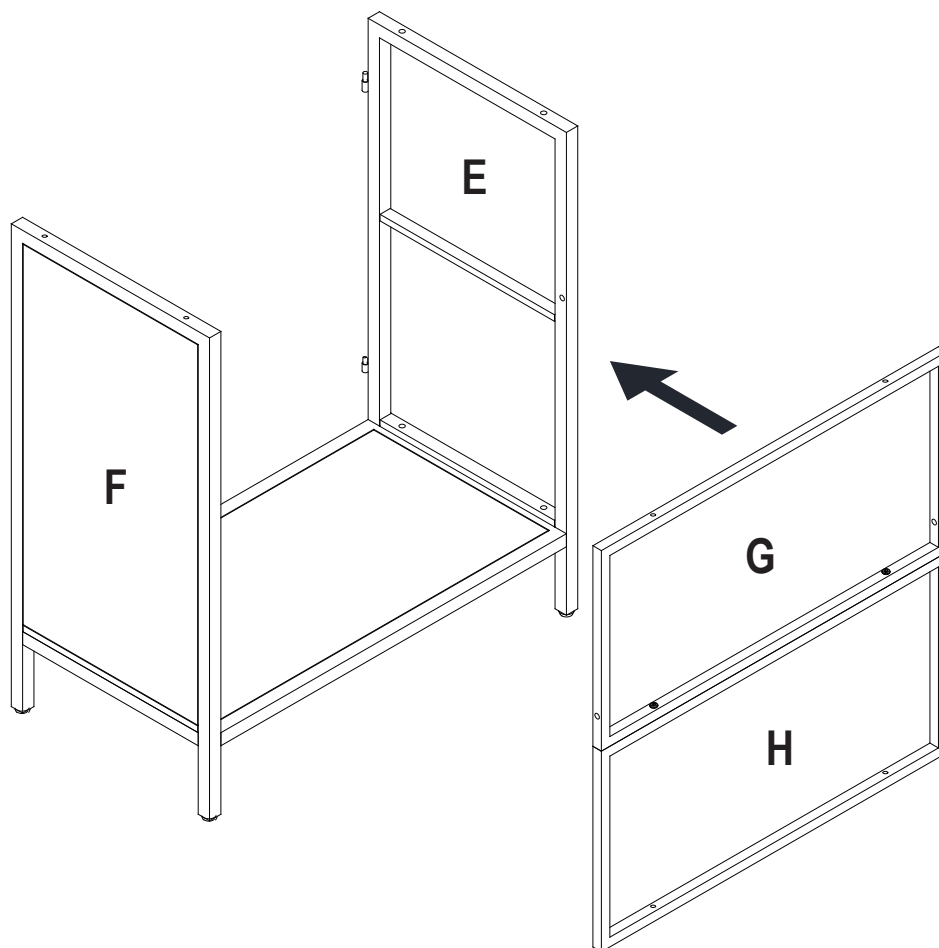
**B X 2 PCS**

## Step 2

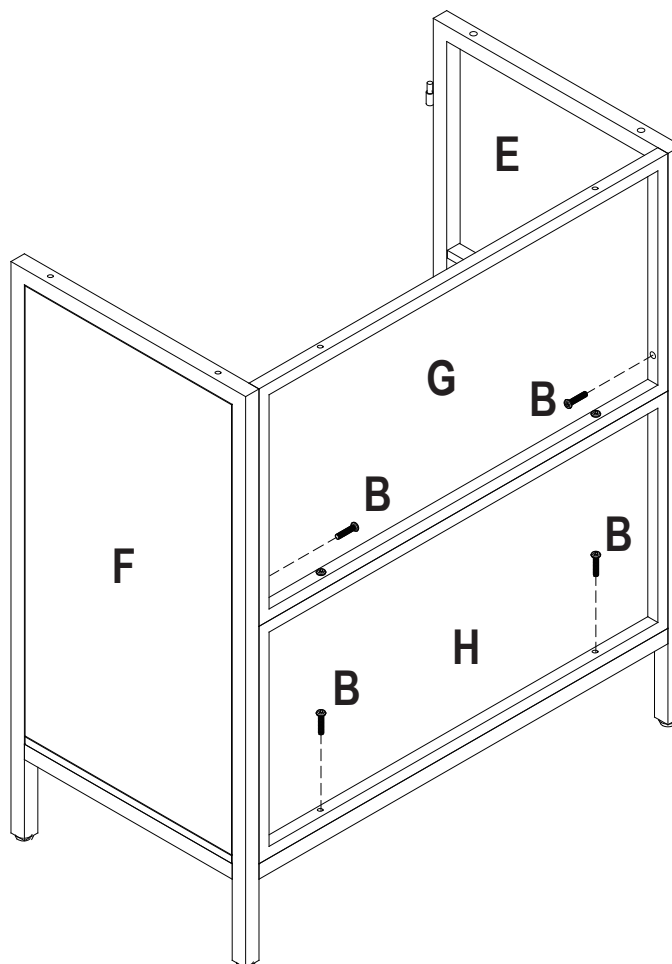
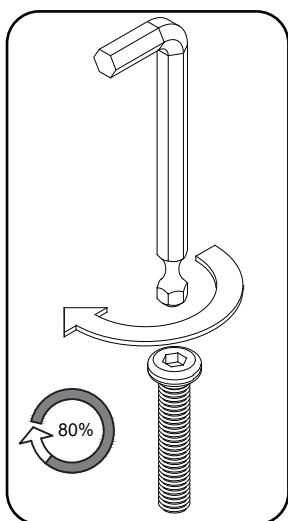


**B X 4 PCS**

### Step 3

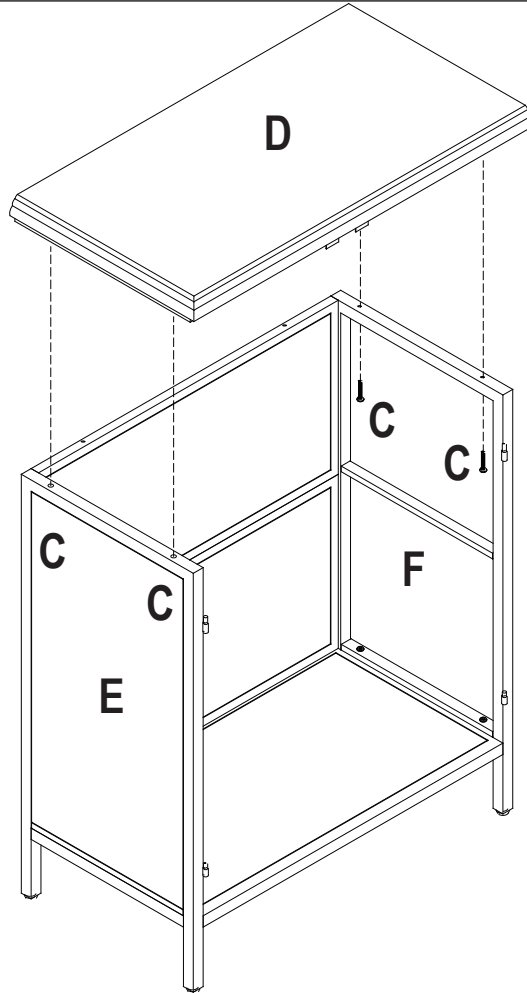
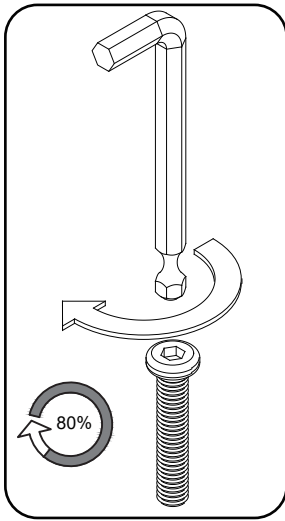


### Step 4



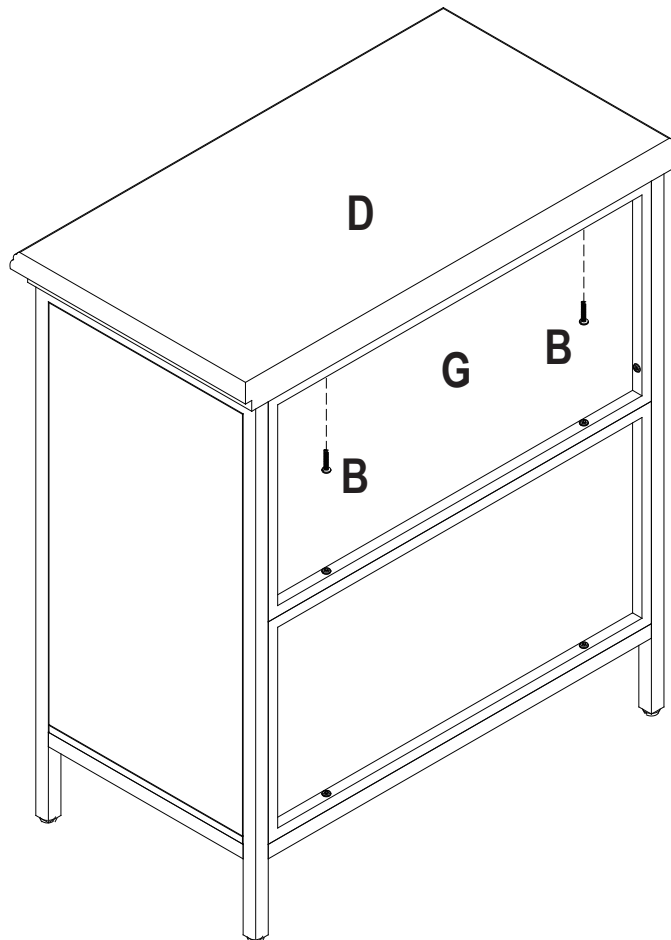
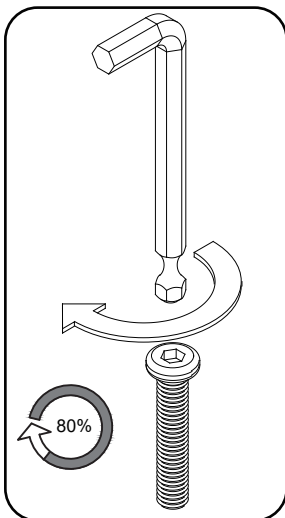
**B X 4 PCS**

## Step 5



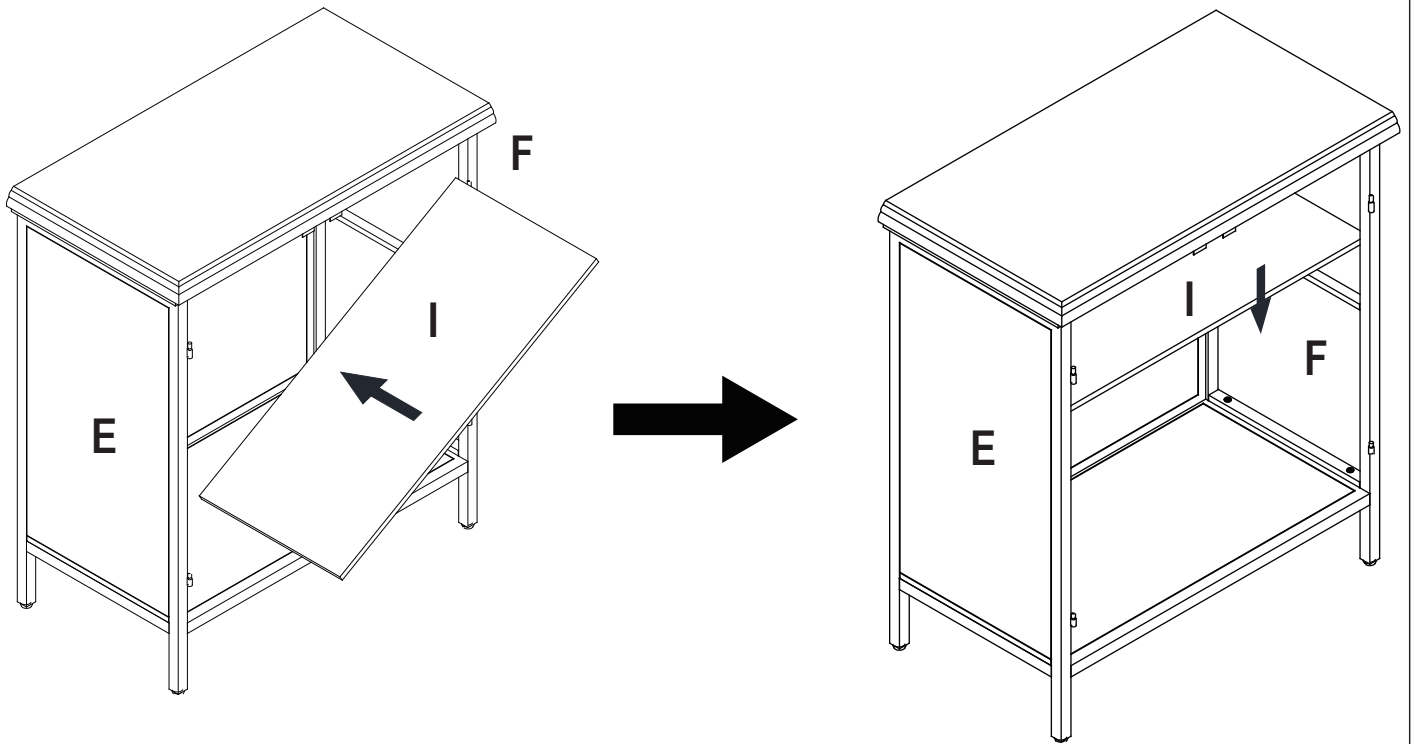
**C X 4 PCS**

## Step 6

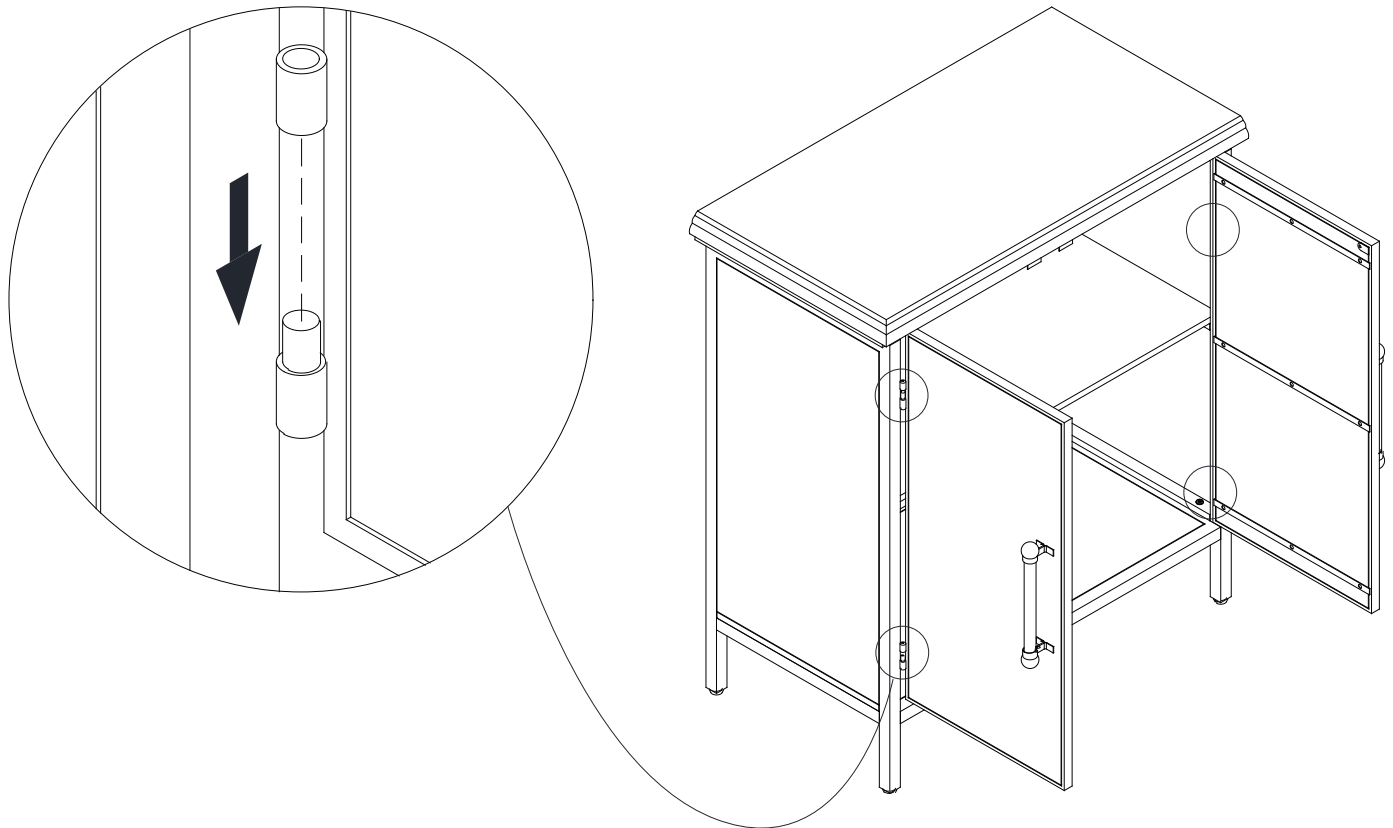


**B X 2 PCS**

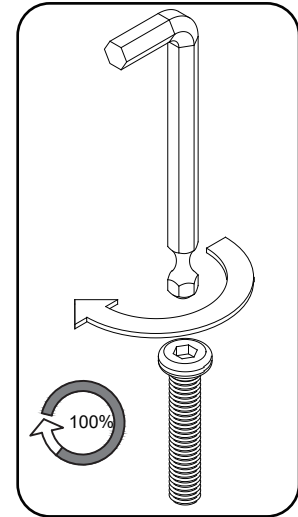
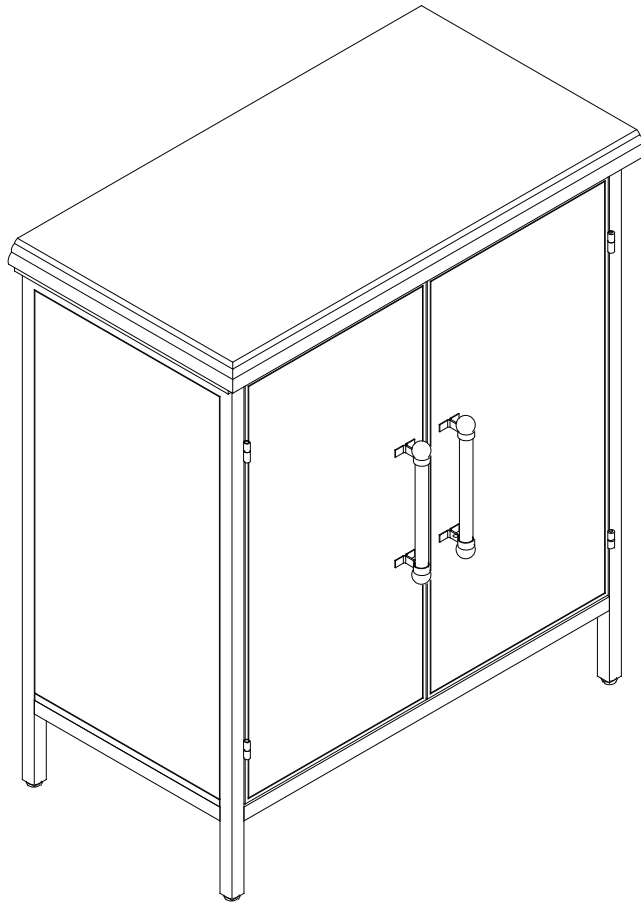
## Step 7



## Step 8



## Step 9



**NOTE:**AFTER ASSEMBLY,PLEASE MAKE SURE THAT ALL SCREWS ARE 100% LOCKED