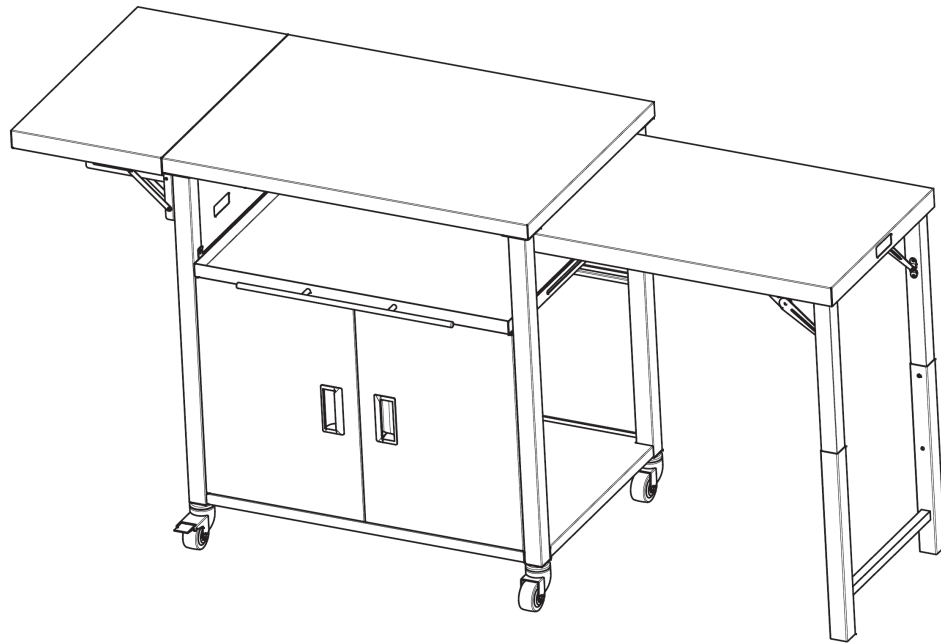


# ASSEMBLY INSTRUCTIONS

N719P407404B

N719P407404E

## Grill Cart












### ATTENTION

1. All the components are packed in one box. Please refer to the component list to ensure that all the components are included.
2. Use caution when unpacking with a knife to avoid accidentally scratching the product's surface.
3. We greatly value your experience. If you encounter any issues—whether related to delivery, assembly, usage, or post-purchase care—please contact us promptly. Our products come with a one-year warranty and customer service.
4. Please keep children away during installation. This product contains small parts that may pose a choking hazard if swallowed.

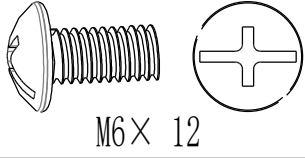
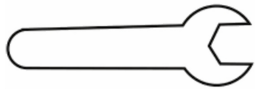


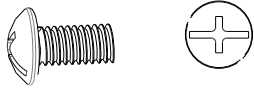
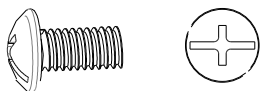


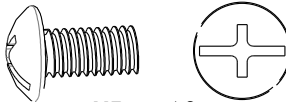
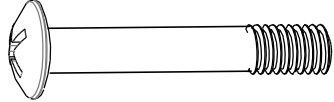
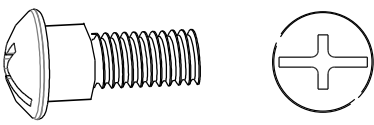
# Assembly Instructions

**Caution : You must read this before you proceed**

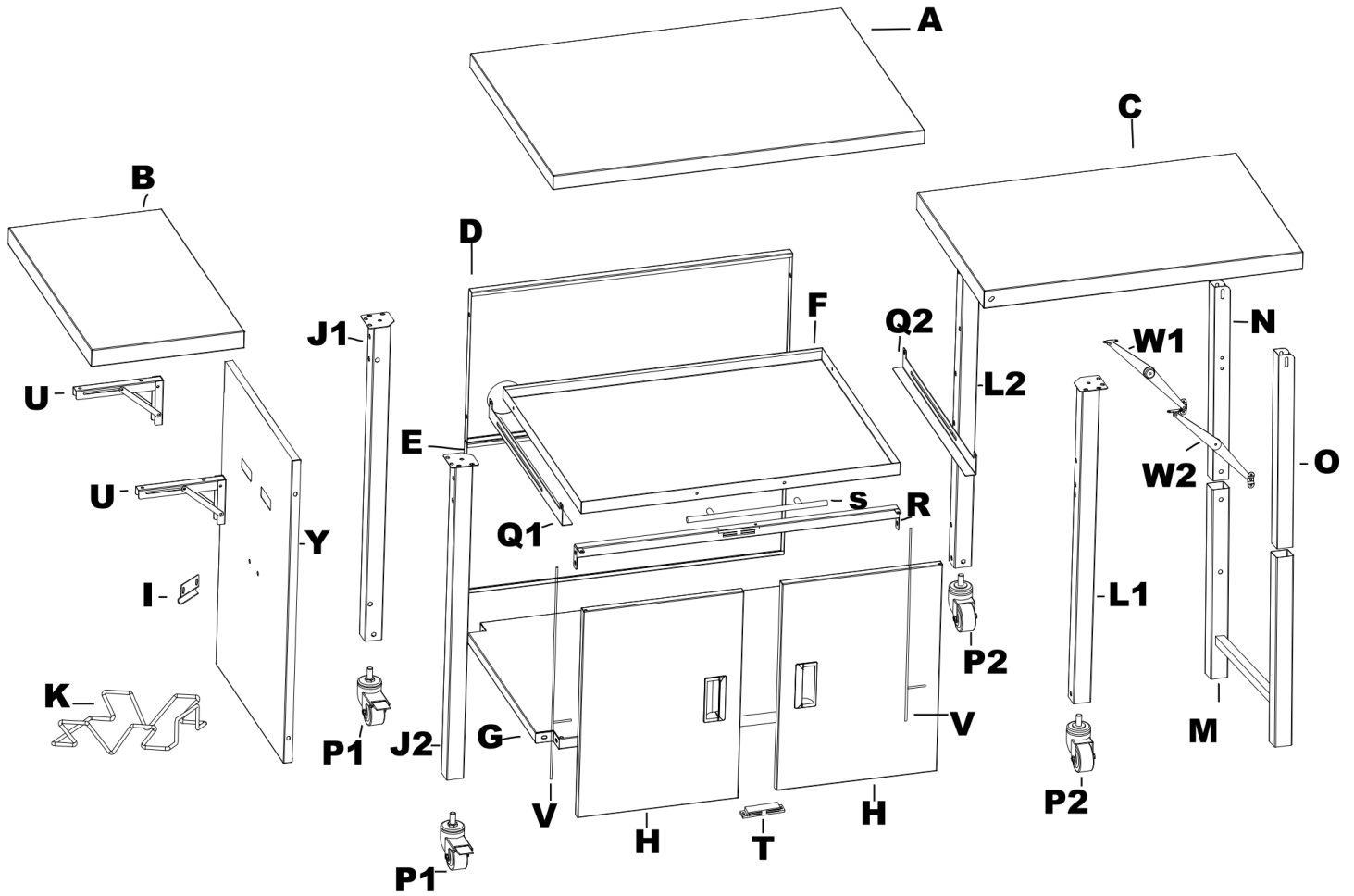
## Care & Maintenance

- ⊘  ● Not for commercial use. For residential use only.
- ⊘  ● Do not put hot items directly on furniture surface.
- ⊘  ● Do not clean furniture with harsh cleansers or polish.
- ✓  ● To obtain the longest lifespan of your outdoor products, minimizing exposure to direct sunlight is recommended.
- ⊘  ● Children should not climb or jump on the furniture.
- ⊘  ● Do not write on furniture without a padded barrier to protect the surface.
- ✓  ● To obtain the longest lifespan of your outdoor products, avoid extended and lengthy exposure to rain, snow, and direct sunshine. Whenever possible cover the product and /or place under patio or awnings.
- ⊘  ● Stains may be removed with mild soap solution and damp cloth.
- ✓  ● Dust and pick-up spills using a clean, non-colored, lint-free cloth.

# Hardware

Item no.	Reference Image	Qty.	Item no.	Reference Image	Qty.
AA	 <p style="text-align: center;">M6 × 12</p>	50 pcs	HH		1 pc
BB	 <p style="text-align: center;">M6</p>	4 pcs	II		1 pc
CC	 <p style="text-align: center;">M3 × 12</p>	2 pcs	JJ	 <p style="text-align: center;">M4 × 12</p>	6 pcs
DD	 <p style="text-align: center;">M3</p>	2 pcs	KK	 <p style="text-align: center;">M4</p>	4 pcs
EE	 <p style="text-align: center;">M5 × 12</p>	4 pcs			
FF	 <p style="text-align: center;">M6 × 50</p>	2 pcs			
GG	 <p style="text-align: center;">M6 × 15</p>	4 pcs			

# Assembly Guide

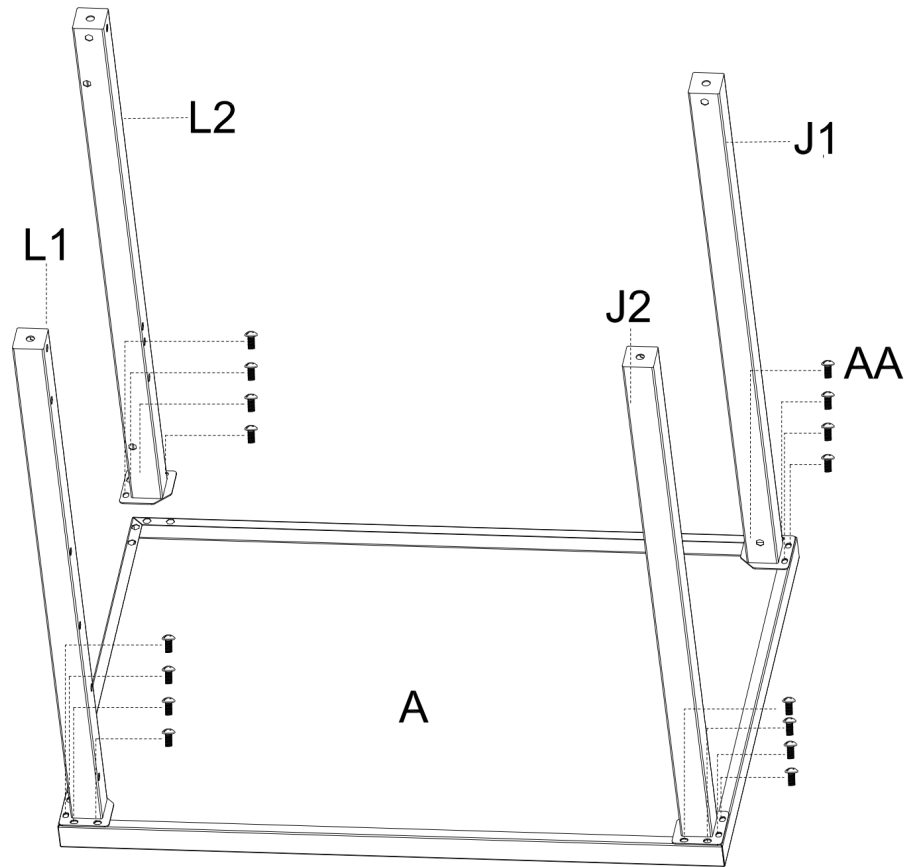


# Assembly Guide

## Step 1



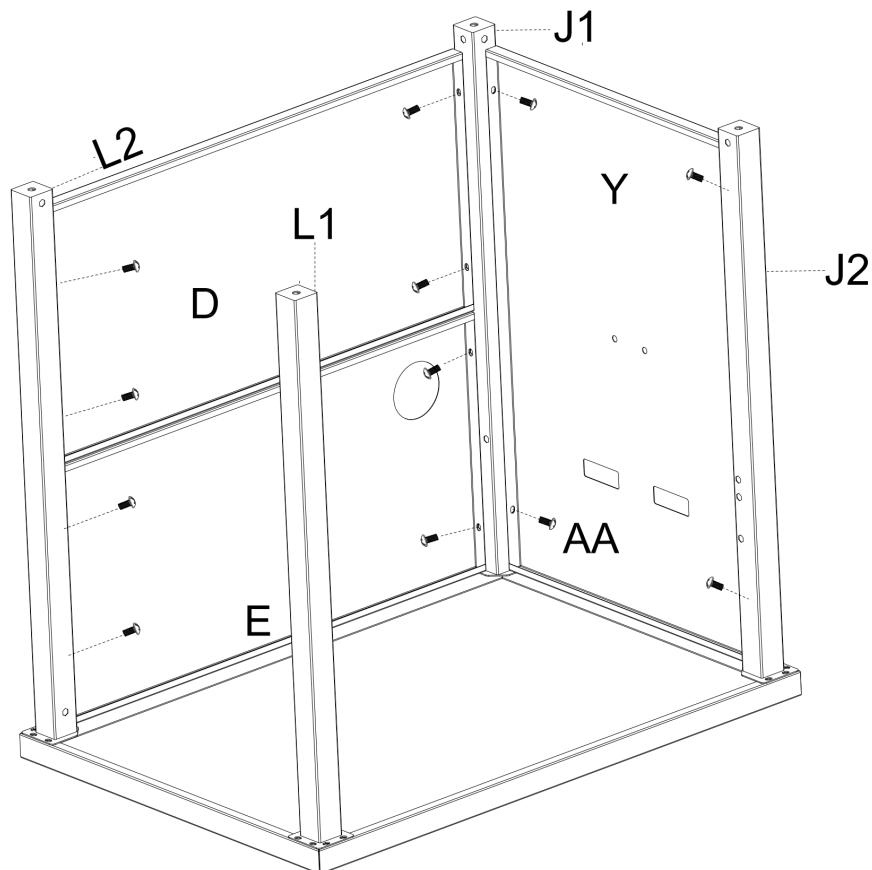
AA×16



## Step 2



AA×12

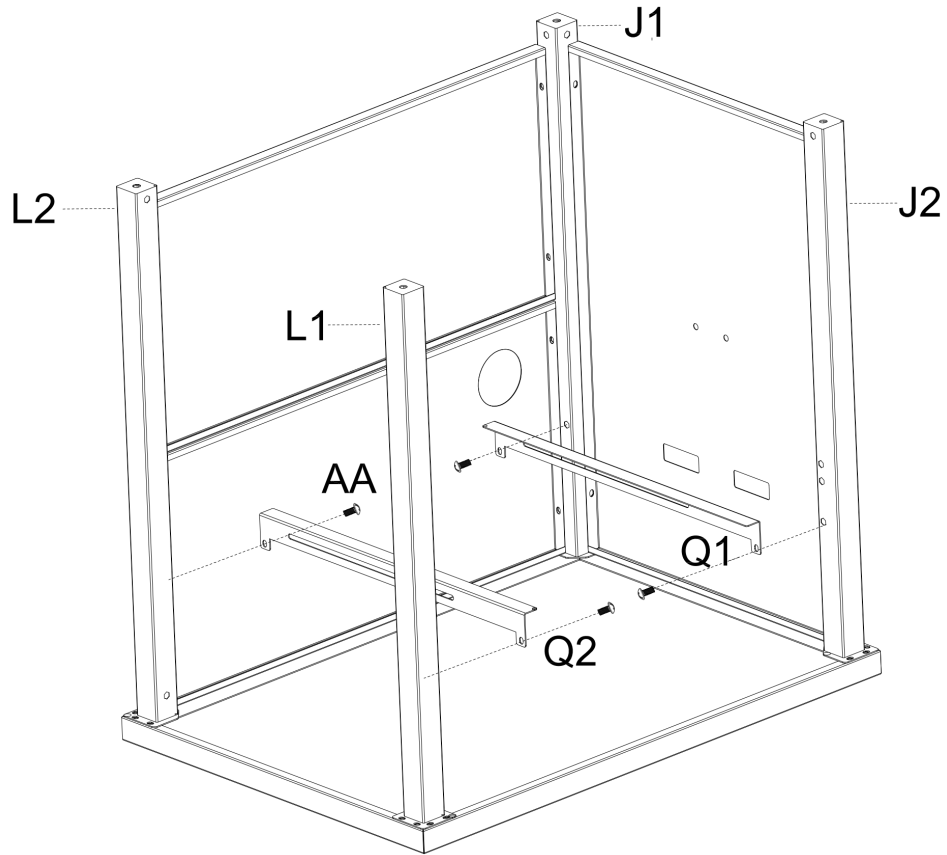


# Assembly Guide

## Step 3



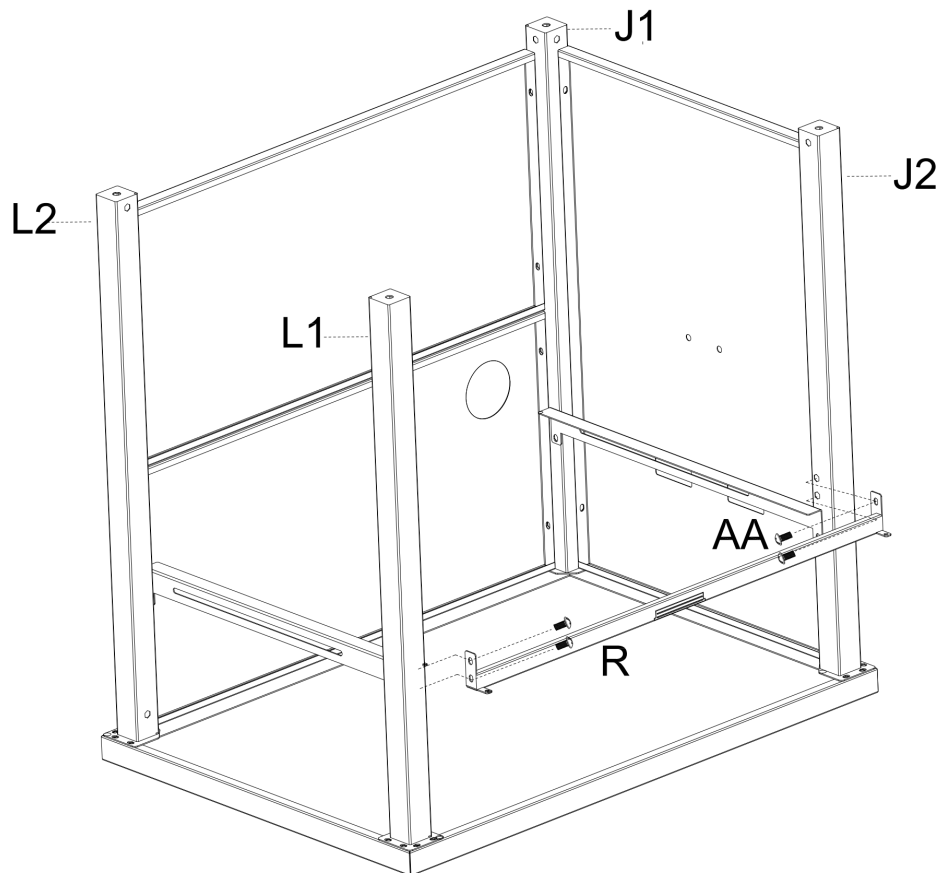
AA × 4



## Step 4






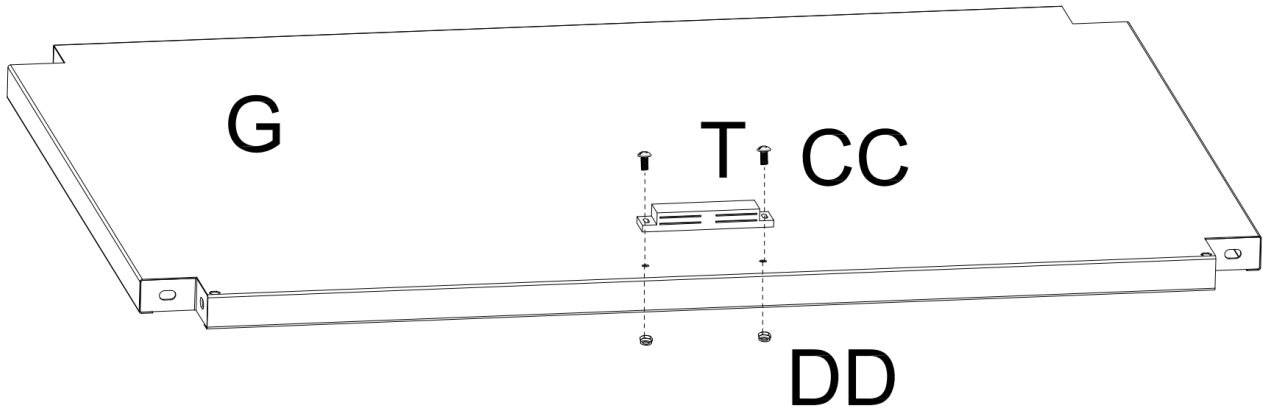
AA × 4



# Assembly Guide

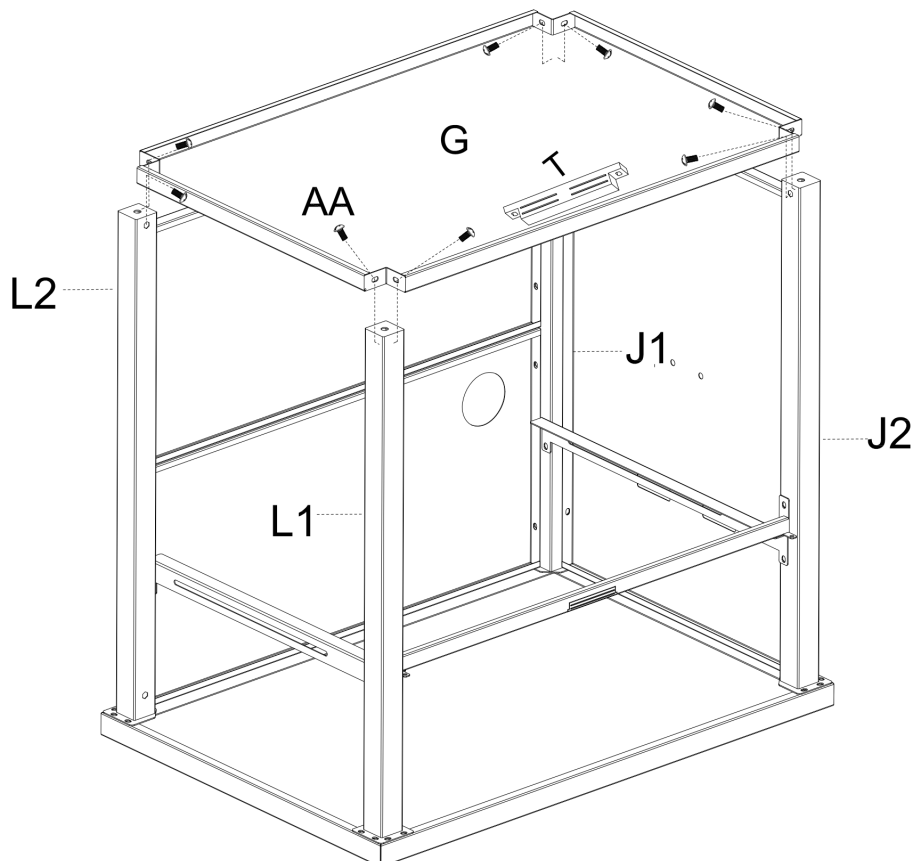
## Step 5

	CC	×2
	DD	×2
	T	×1





## Step 6

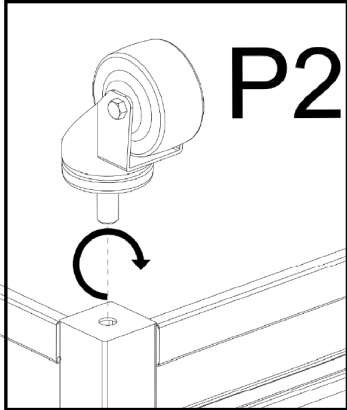
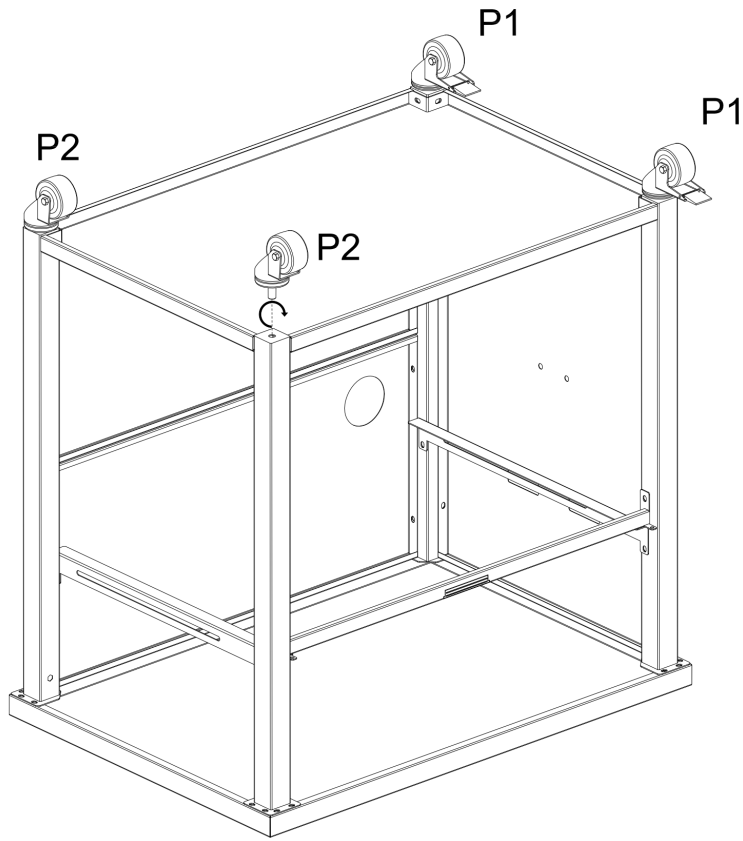
	AA	×8
---	----	----



# Assembly Guide

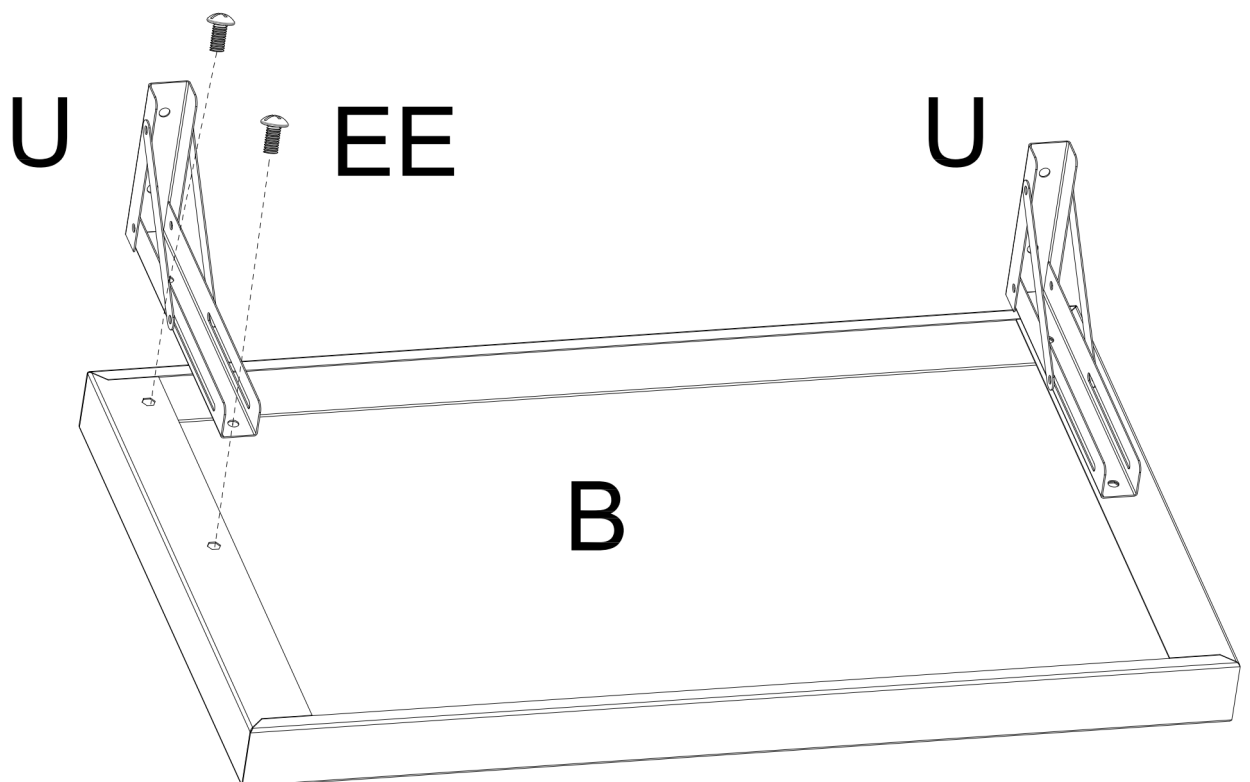
## Step 7

	P1	X2
	P2	X2



## Step 8

	EE	X4
---	----	----

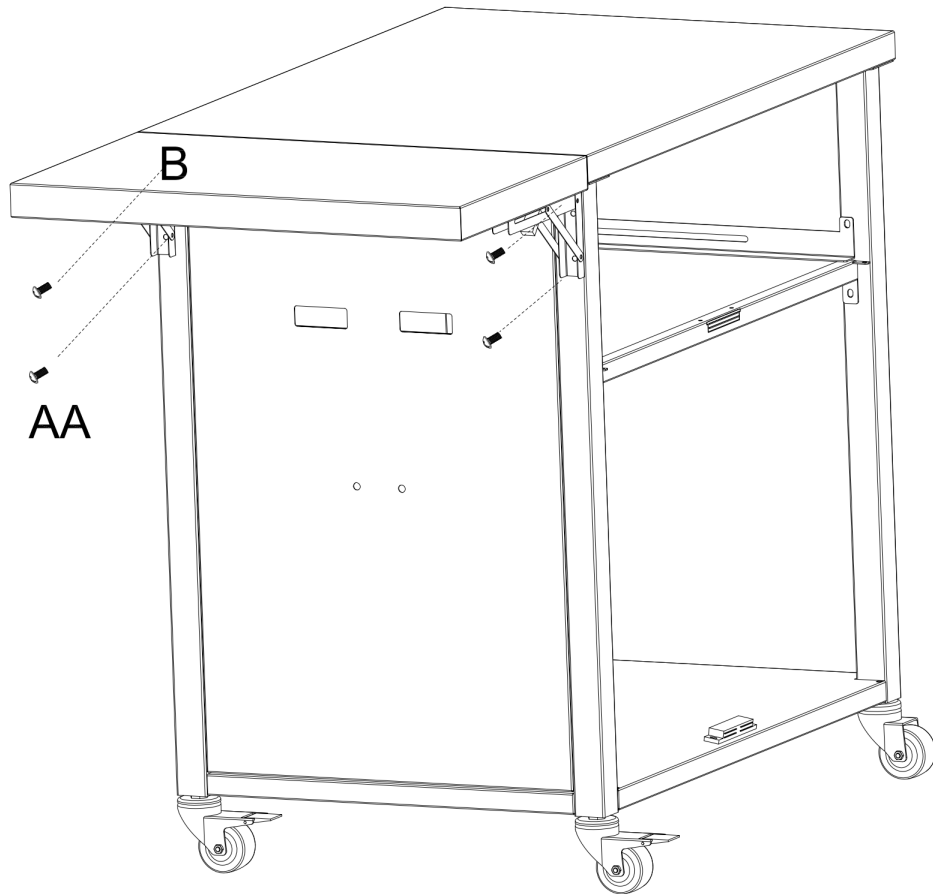


# Assembly Guide

## Step 9



AA ×4



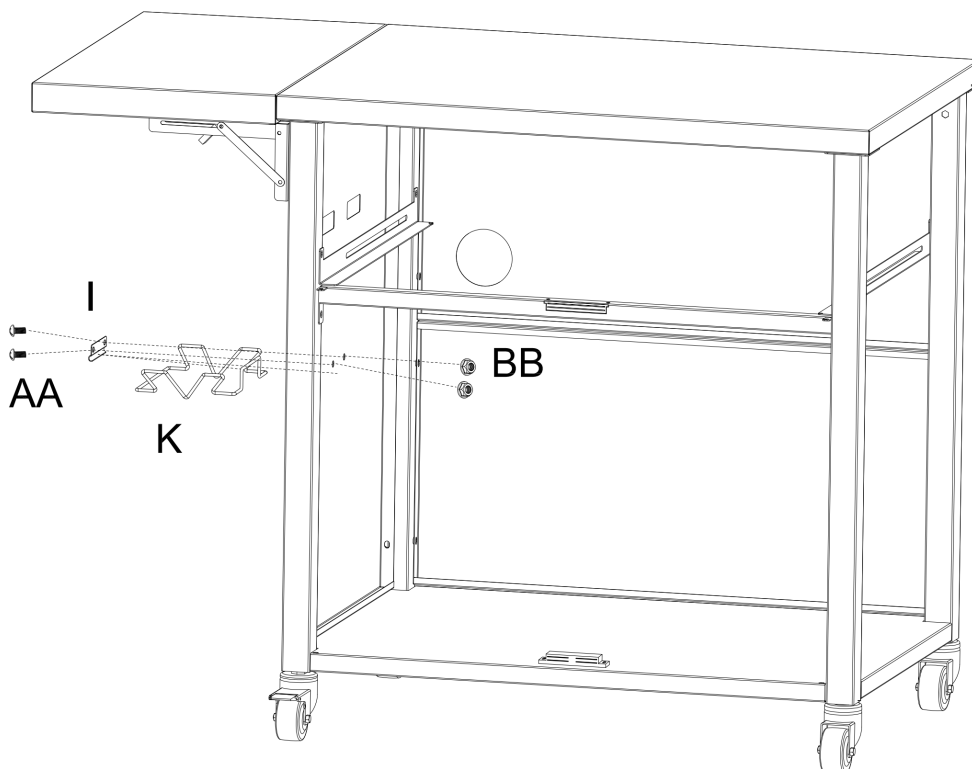
## Step 10



AA ×2

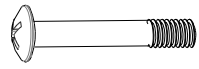


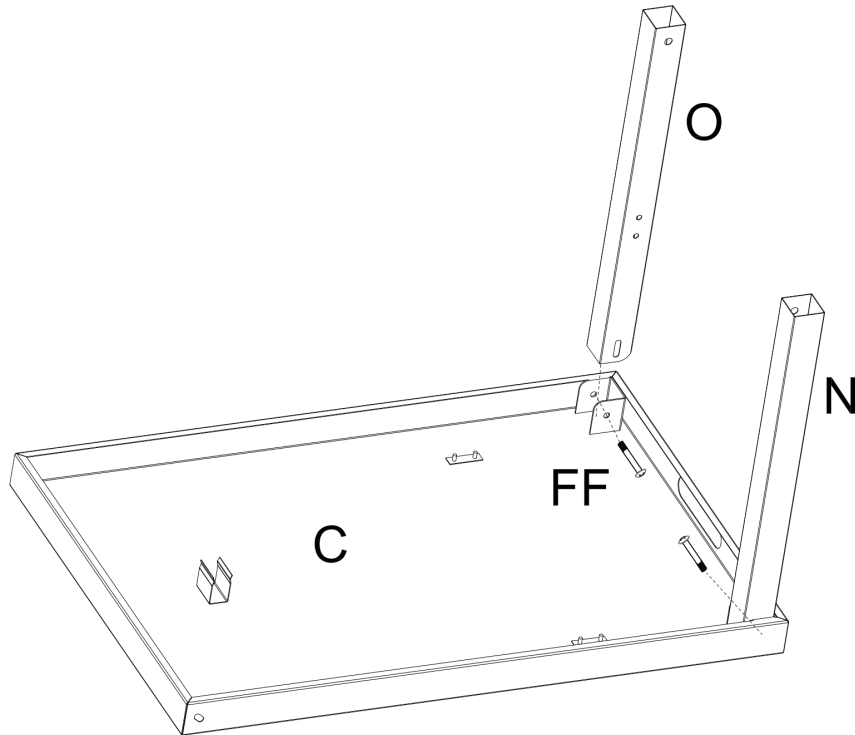
BB ×2





# Assembly Guide

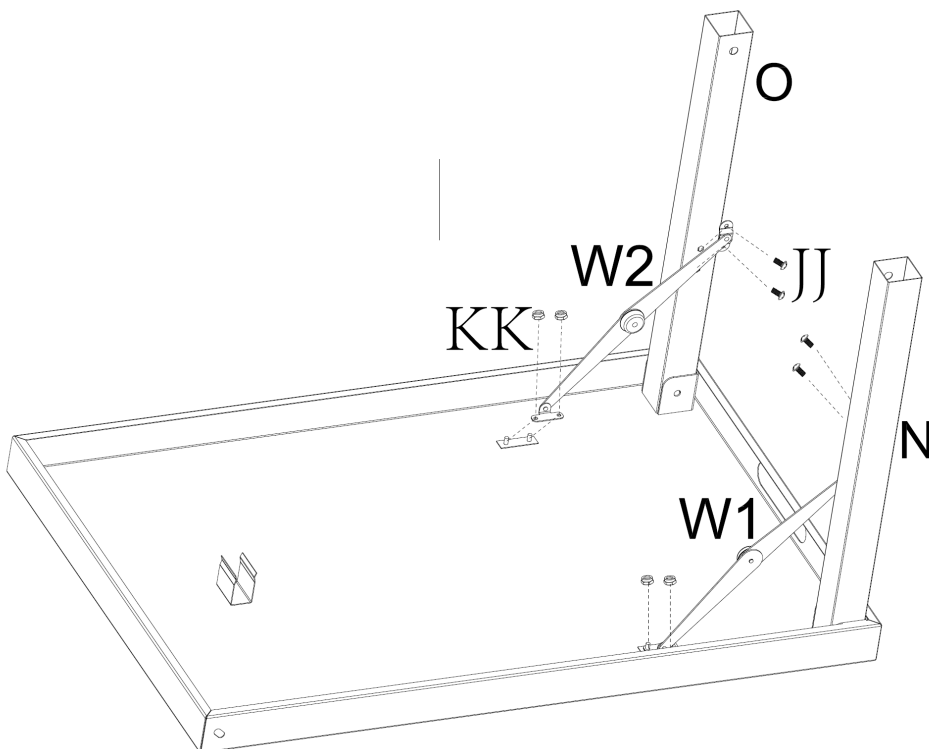
## Step 11

	FF	× 2
---	----	-----



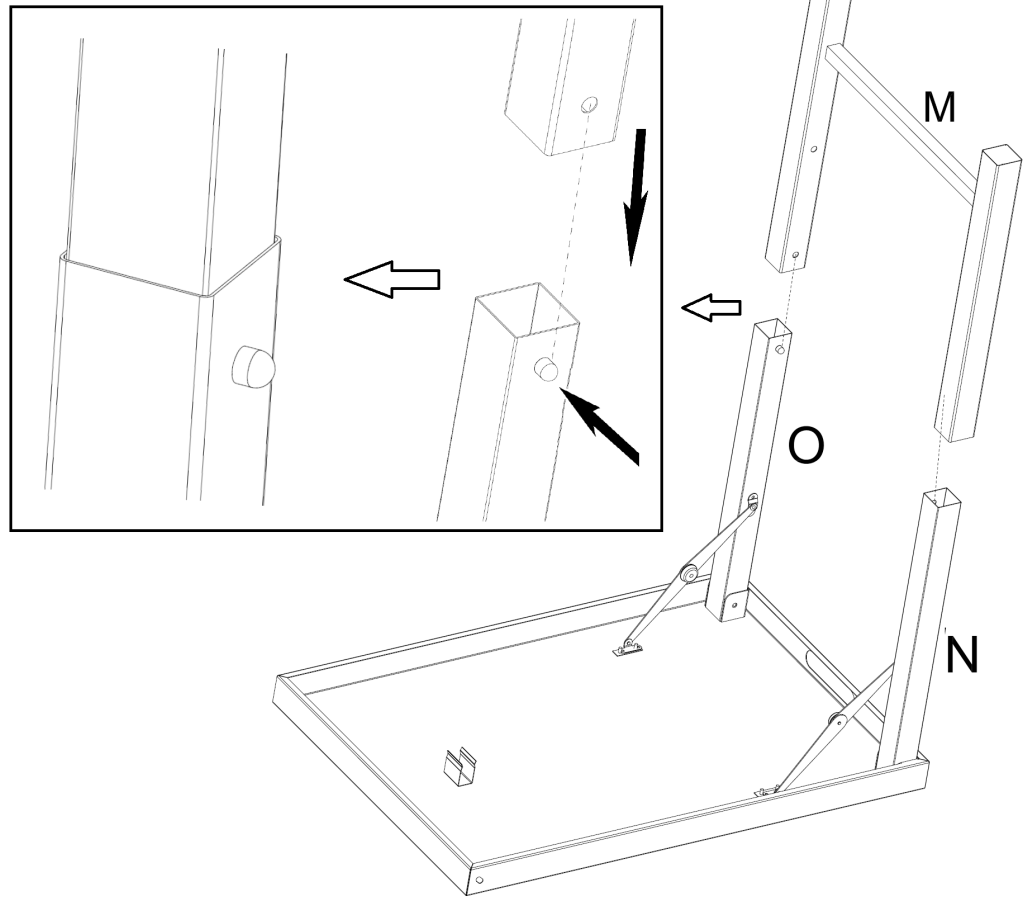
## Step 12

	JJ	× 4
	KK	× 4

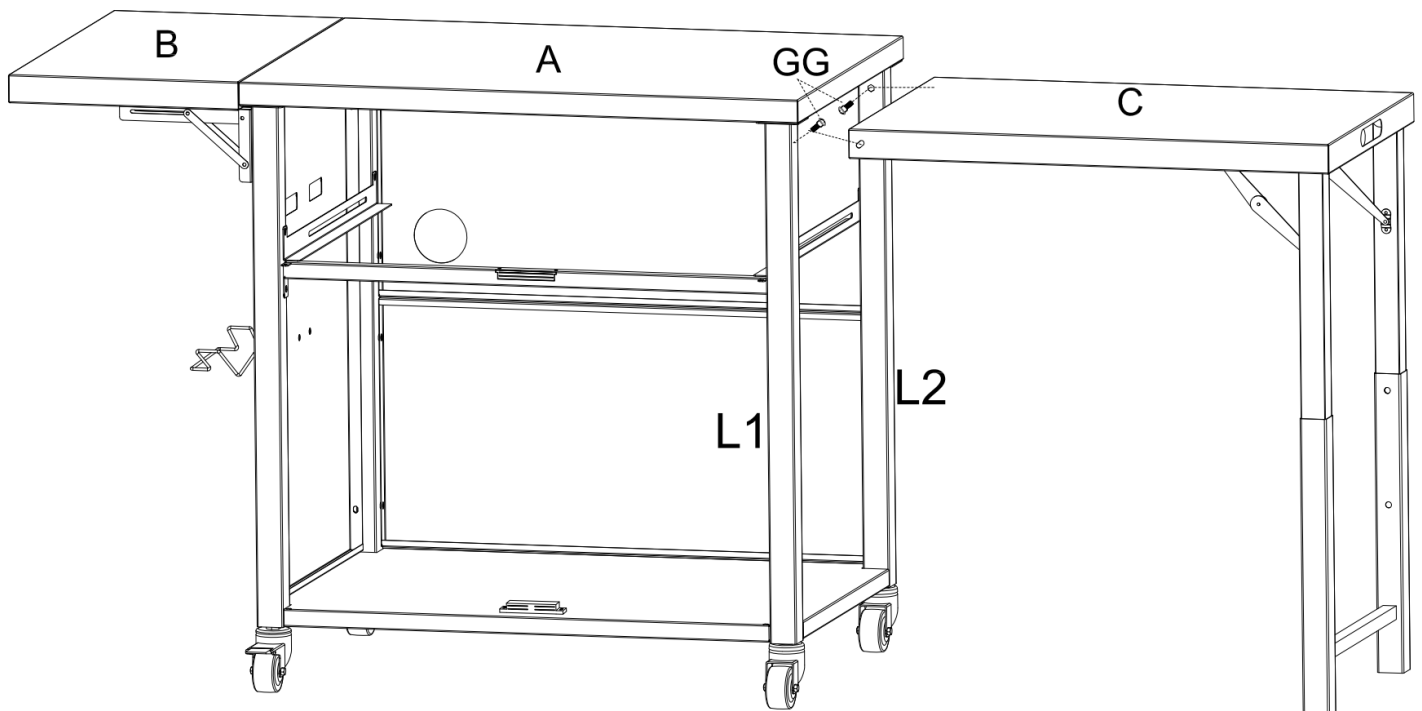
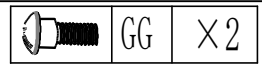


# Assembly Guide

## Step 13

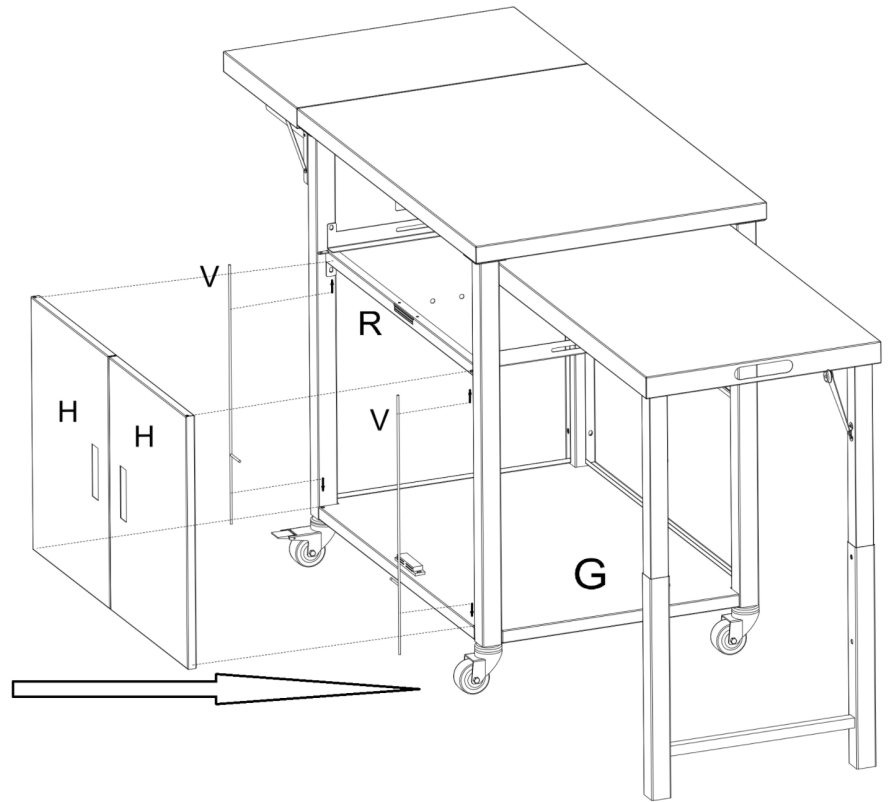
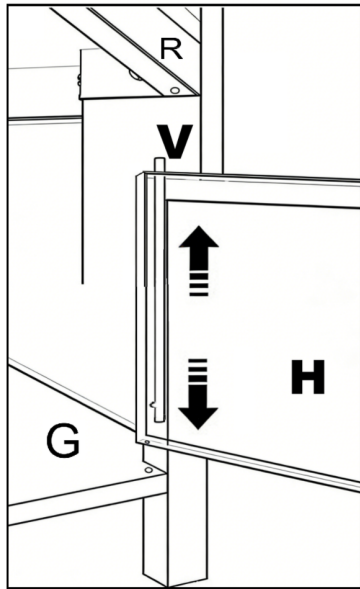


## Step 14





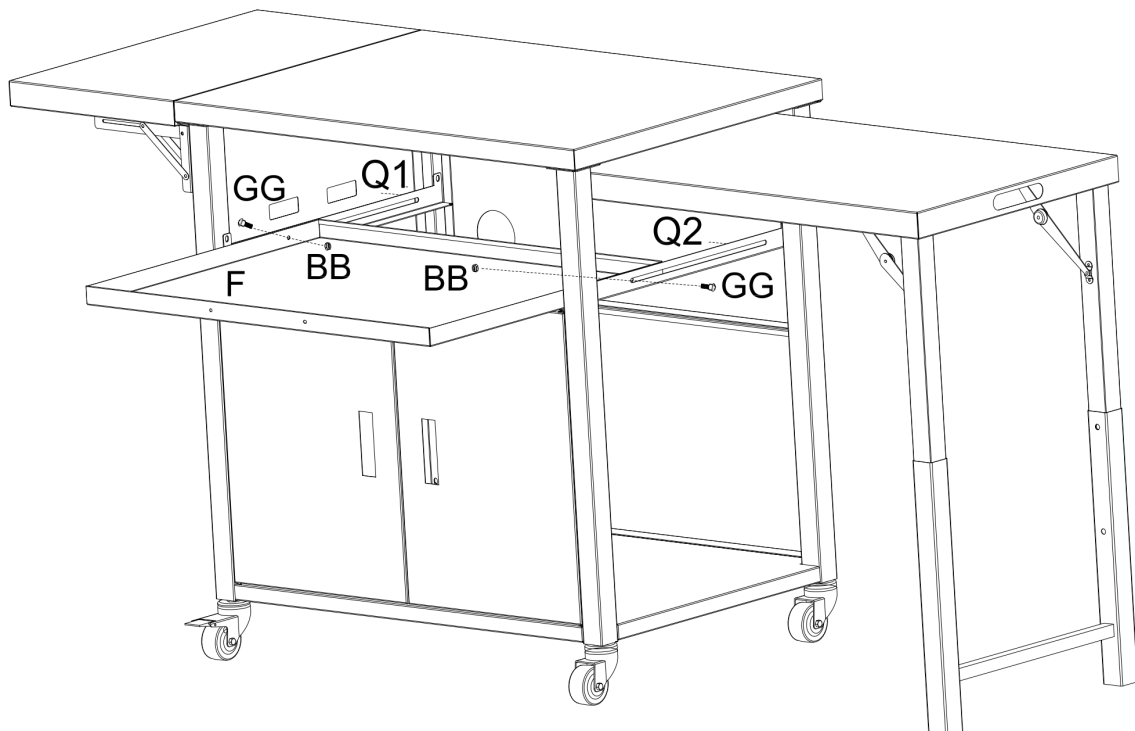
# Assembly Guide

## Step 15



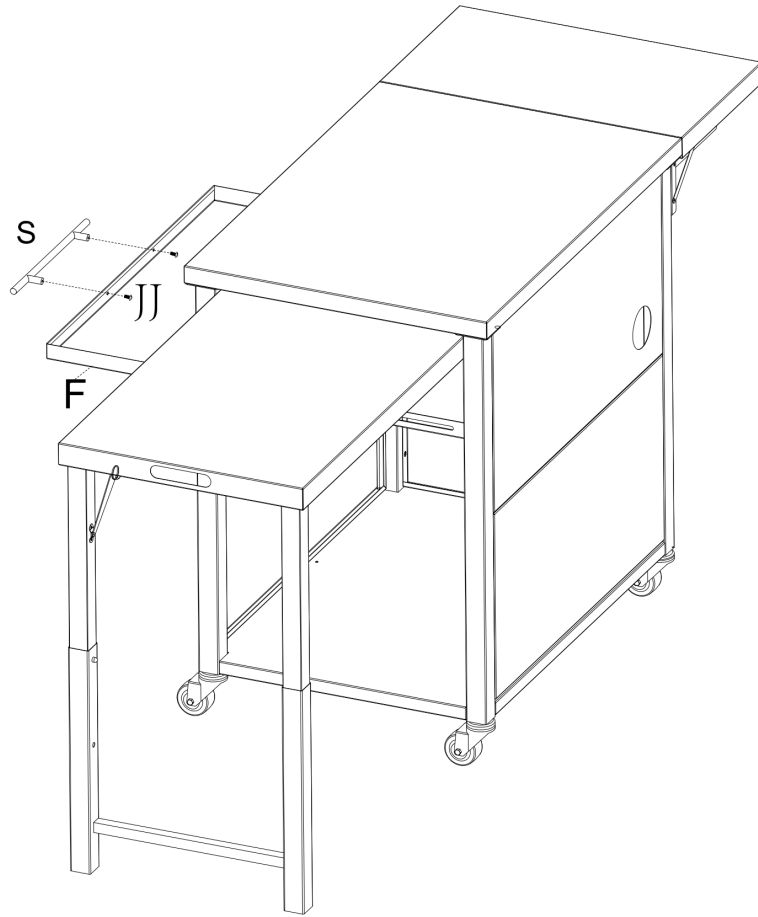
## Step 16

	GG	×2
	BB	×2

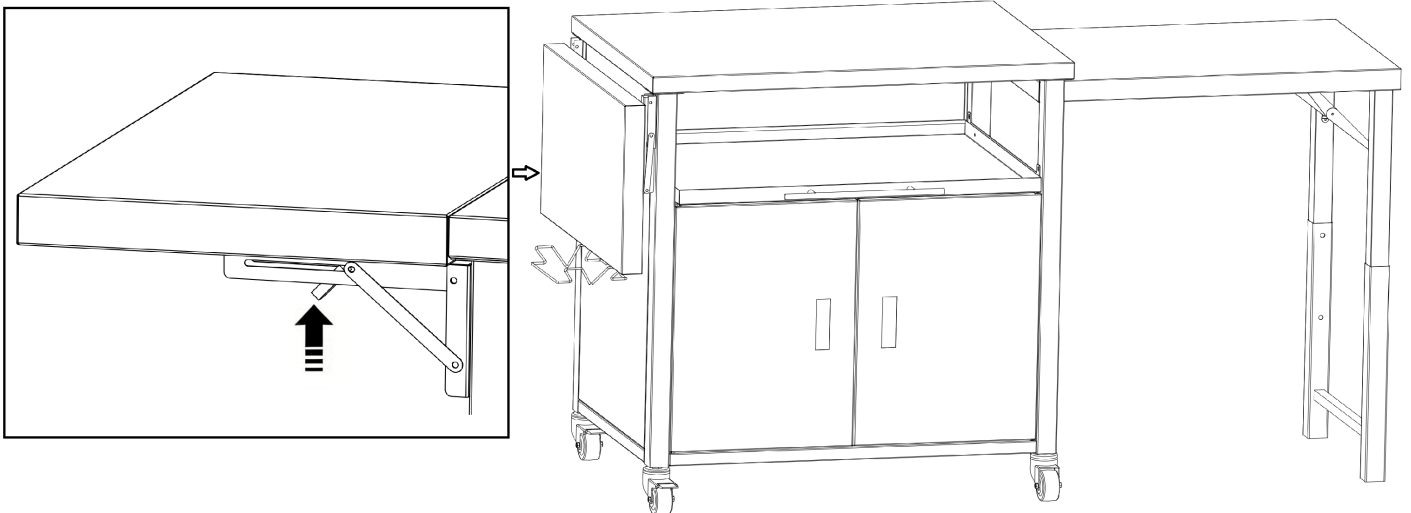


# Assembly Guide

## Step 17

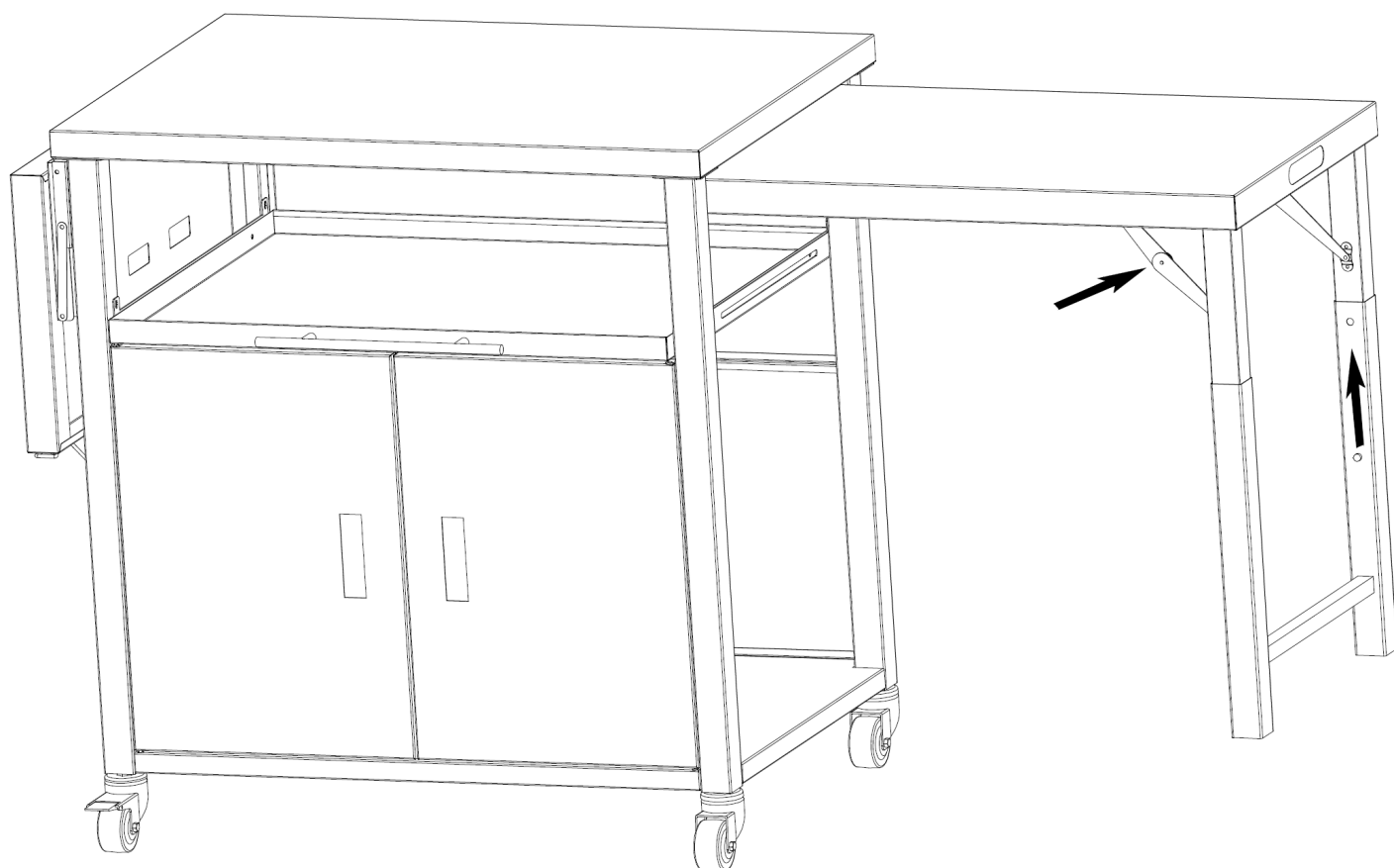


## Step 18



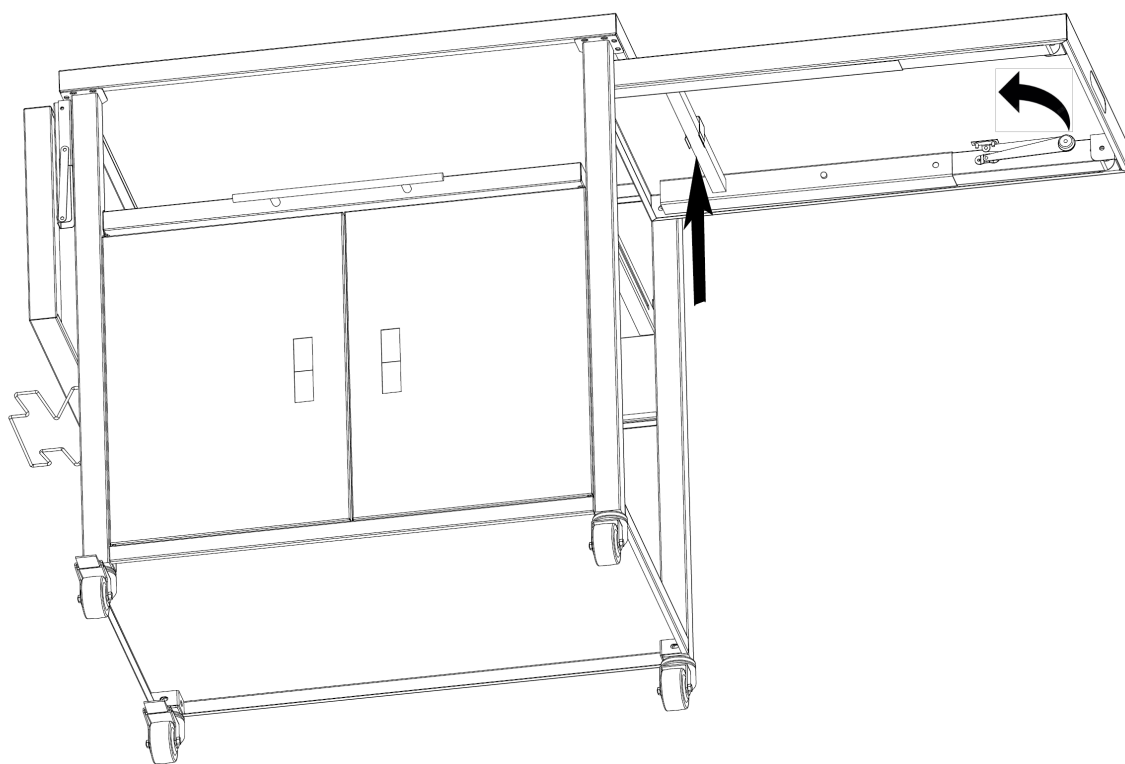
# Assembly Guide

## Step 19



# Assembly Guide

## Step 20



## Step 21

