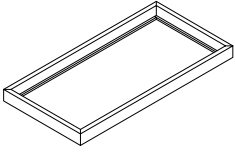
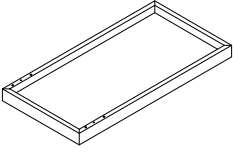
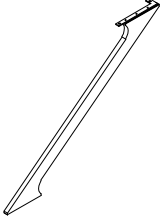
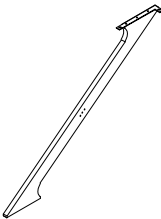
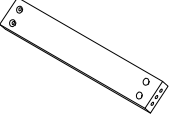
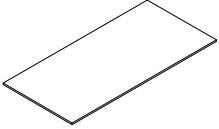


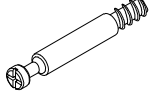



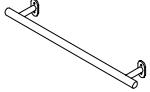
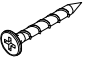
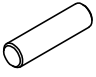




## **ASSEMBLY INSTRUCTIONS**

## PARTS & HARDWARE LIST

 <p><b>(A)</b> TOP FRAME x 1</p>	 <p><b>(B)</b> BOTTOM SHELF x 1</p>	 <p><b>(C)</b> LEGS x 1</p>	 <p><b>(D)</b> LEGS x 1</p>
 <p><b>(E)</b> STRETCHER x 1</p>	 <p><b>(F)</b> TEMPERED GLASS 854*410*8MM</p>		
 <p><b>(H1)</b> ALLEN BOLT x 4 (Ø1/4" *60 MM)</p>	 <p><b>(H2)</b> ALLEN BOLT x 4 (Ø1/4" *25 MM)</p>	 <p><b>(H3)</b> Cam Rods x x4 (M6*30 MM)</p>	 <p><b>(H4)</b> Cam Lock x 4 (Ø1/4"*16*1.5)</p>
 <p><b>(H5)</b> SPRING WASHER x 8 (Ø1/4")</p>	 <p><b>(H6)</b> FLAT WASHER x 8 (Ø1/4"*16*1.5)</p>	 <p><b>(H7)</b> HANDLE 380*60*42MM</p>	 <p><b>(H8)</b> Wood Screw x 4 (#3.5*20mm)</p>
 <p><b>(H9)</b> DOWEL x 4 (Ø8*30mm)</p>	 <p><b>(H10)</b> CASTER x 4 (#3.5*20mm)</p>	 <p><b>(H11)</b> ALLEN KEY x 1 (M4)</p>	

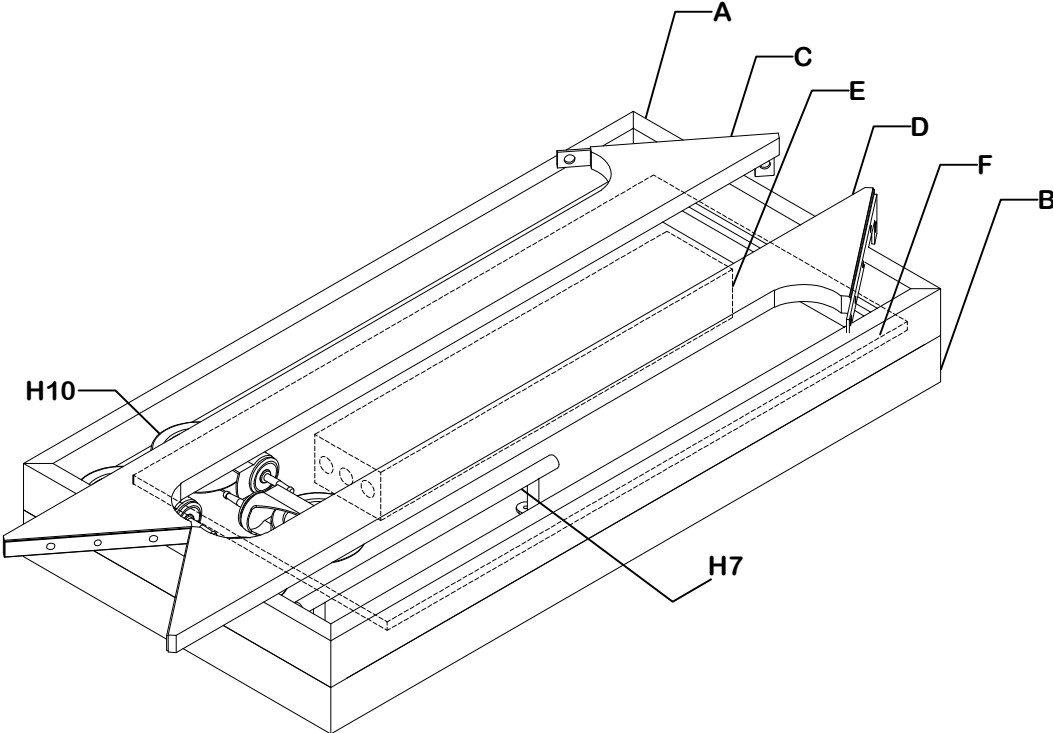
**NOTES :**

1. CHECK CAREFULLY FOR SMALL PARTS WHICH MAY COME LOOSE DURING SHIPMENT.
2. REMOVE ALL COMPONENTS FROM THE PACK AND PLACE ON A CLEAN, SOFT SURFACE TO ASSEMBLE.
3. UNITS SHOULD BE ASSEMBLED BY TWO OR MORE PEOPLE.
4. DO NOT OVER - TIGHTEN SCREW/ BOLTS UNTIL ASSEMBLY IS COMPLETED.
5. WITH USE, SCREW/ BOLT MAY BE COME LOOSE & MUST BE TIGHTENED PERIODICALLY.

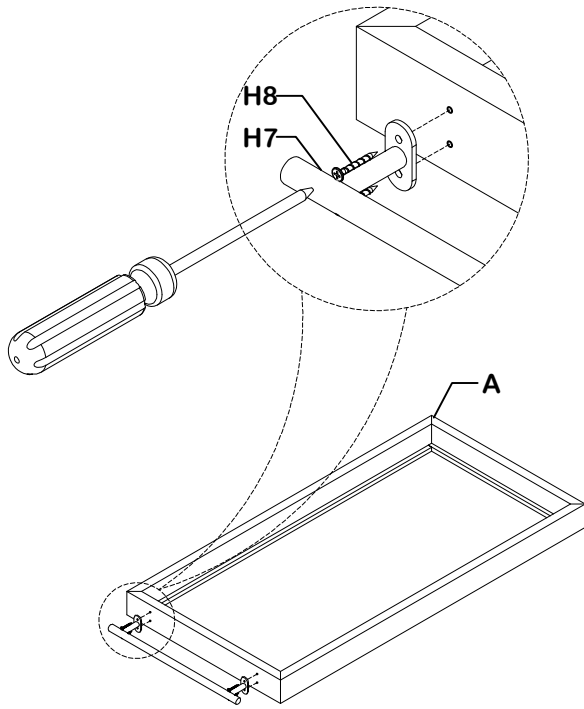


---

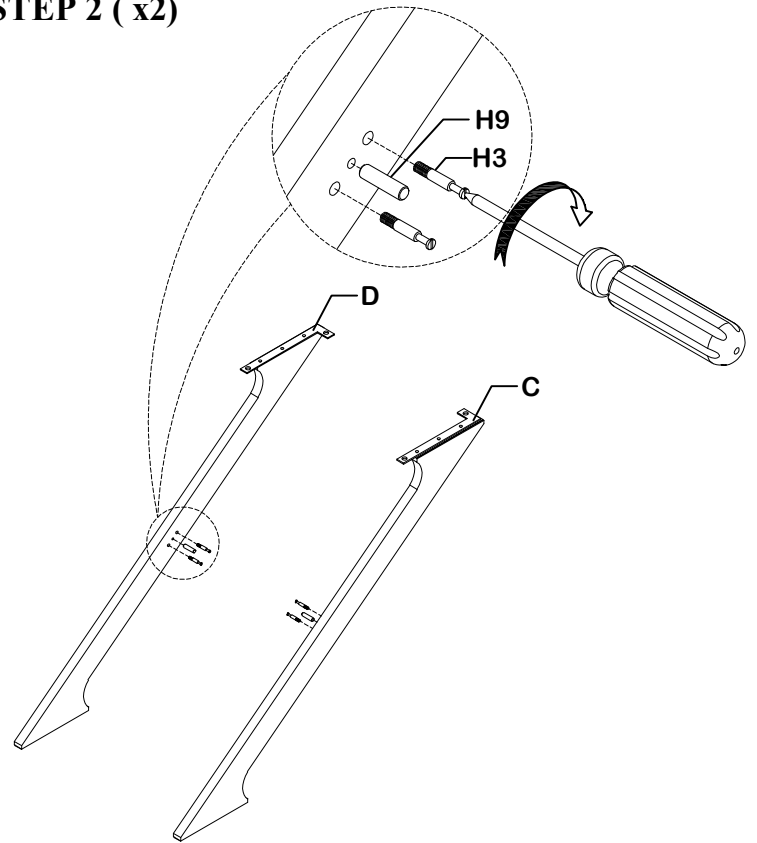
**HARDWARE BLISTER PACKS ARE STORED INSIDE THE Z BAR CART**



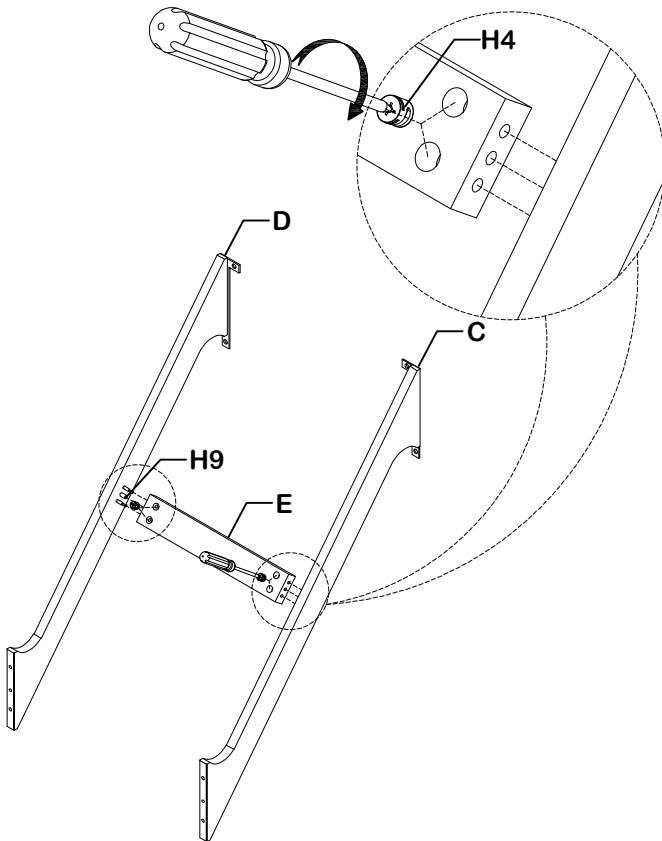
**STEP 1 (x1)**



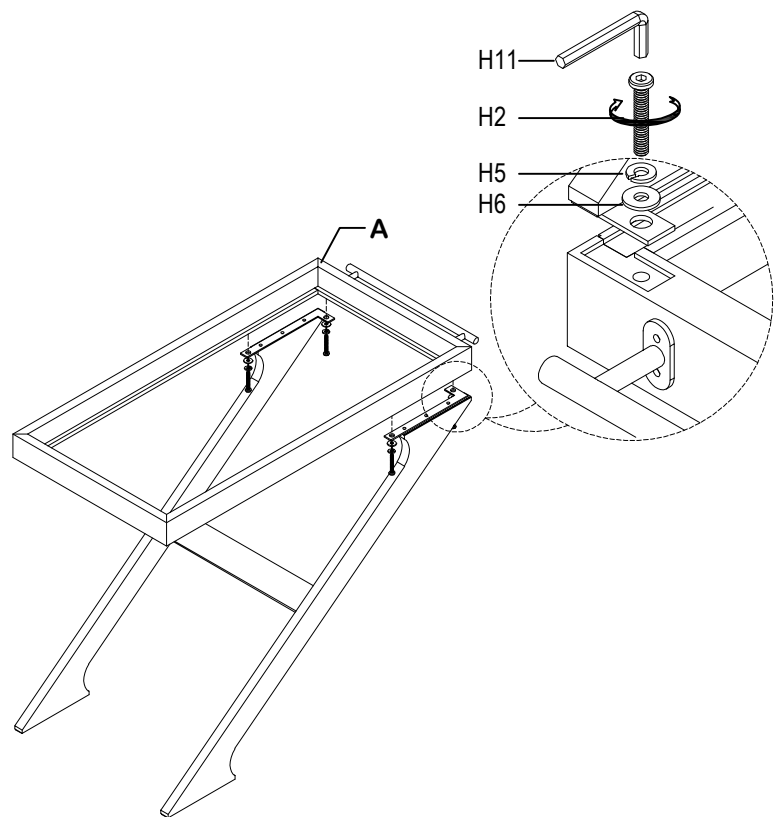
**STEP 2 (x2)**



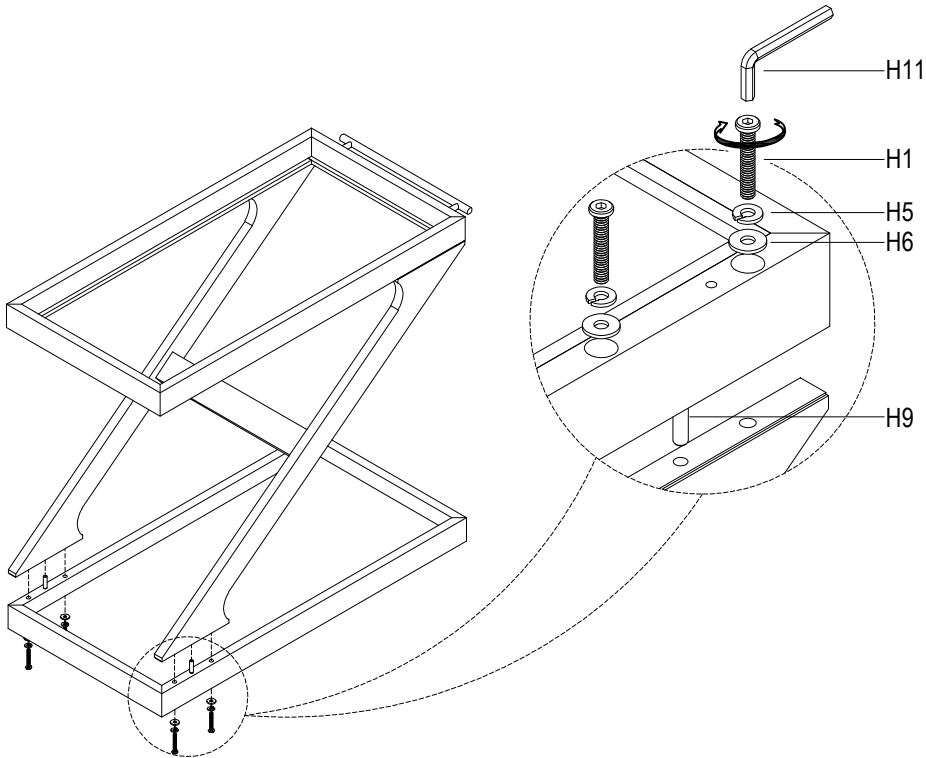
**STEP 3 (x2)**



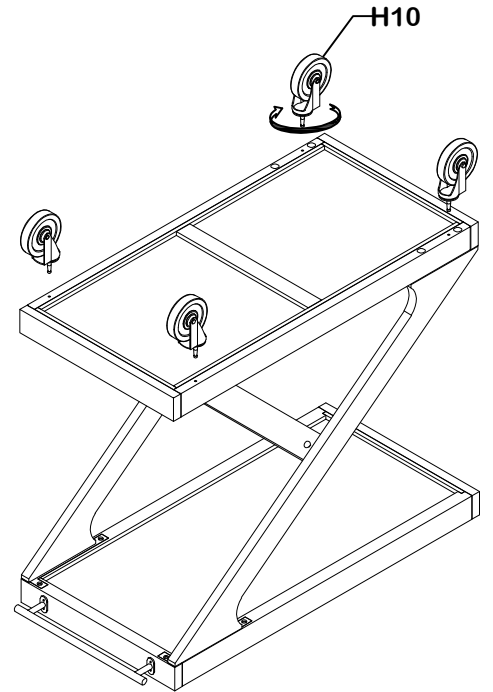
**STEP 4 (x1)**



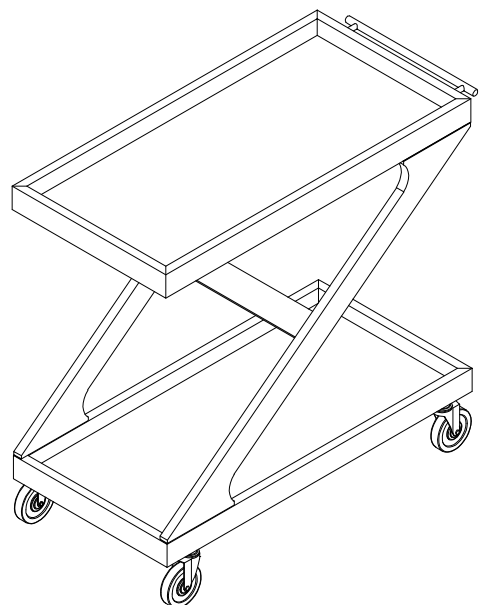
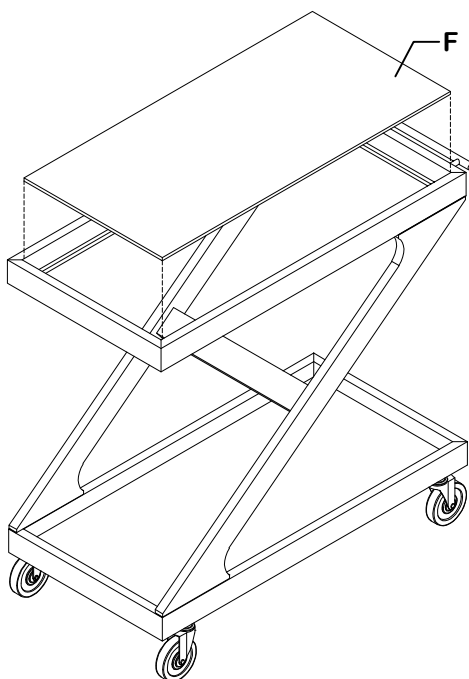
**STEP 5 (x1)**



**STEP 6 (x4)**



**STEP 7 (x1)**



**CART ASSEMBLY COMPLETED**