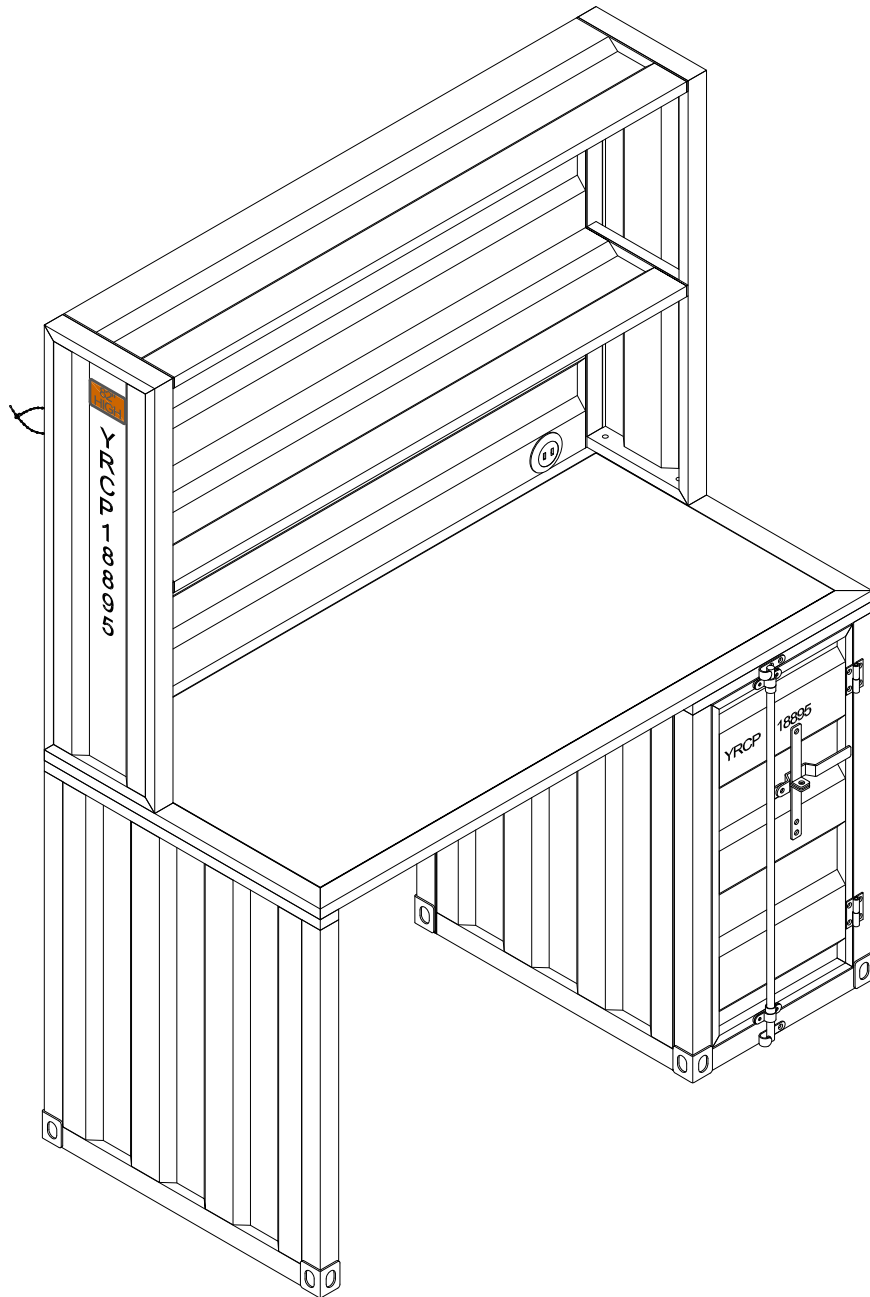
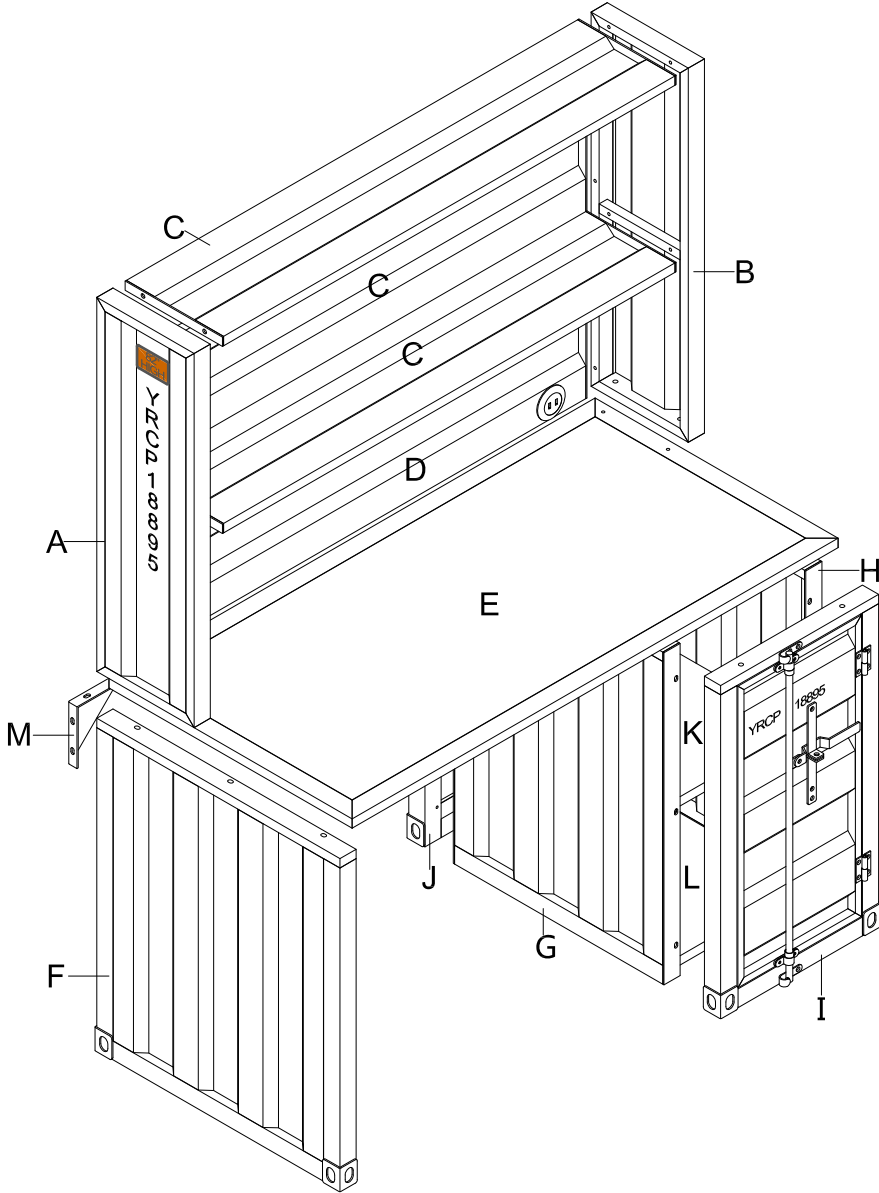


ASSEMBLY INSTRUCTIONS


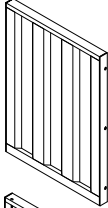
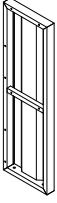
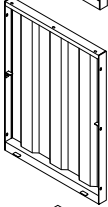
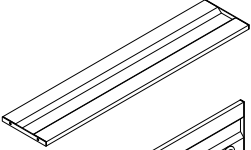

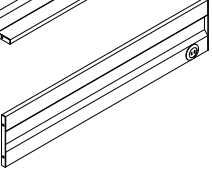
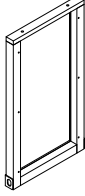
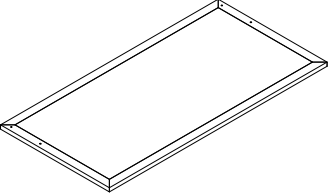
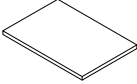
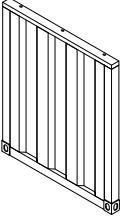
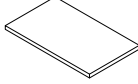
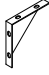


Do not tighten screws until completely assembled.

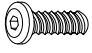





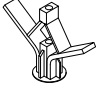

PARTS IDENTIFICATION

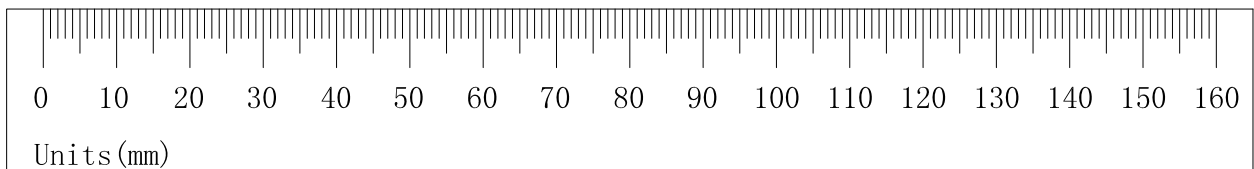


PARTS IDENTIFICATION

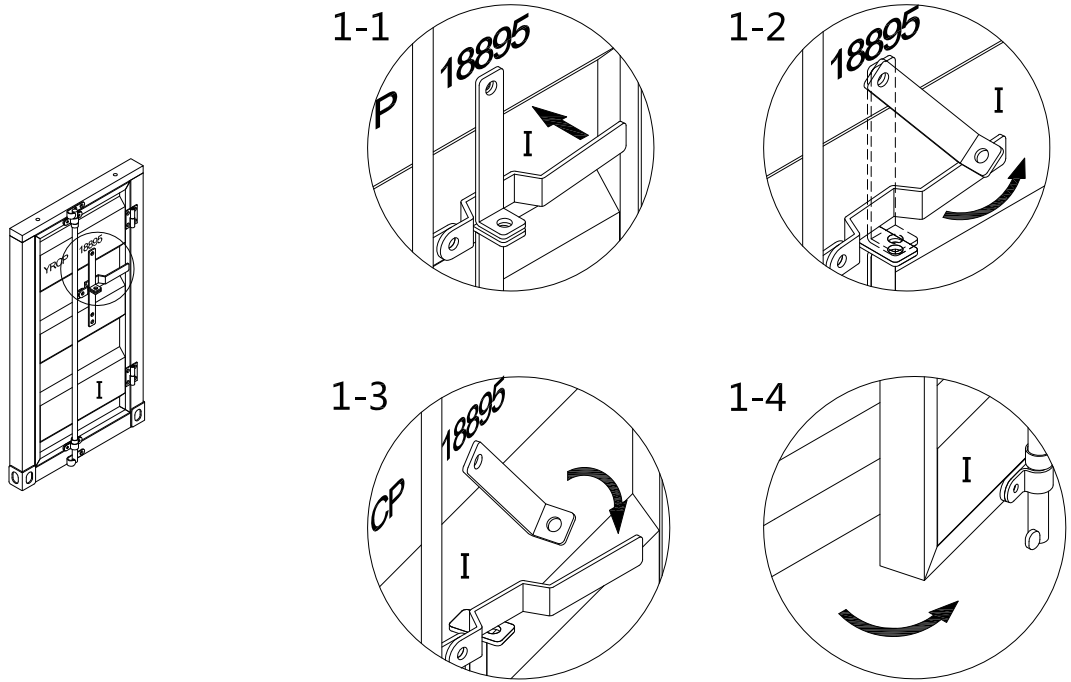
A		Left 1pc	G		1pc
B		Right 1pc	H		1pc
C		3pcs	I		1pc
D		1pc	J		1pc
E		1pc	K		Middle 1pc
F		1pc	L		Bottom 1pc
			M		1pc

HARDWARE LIST

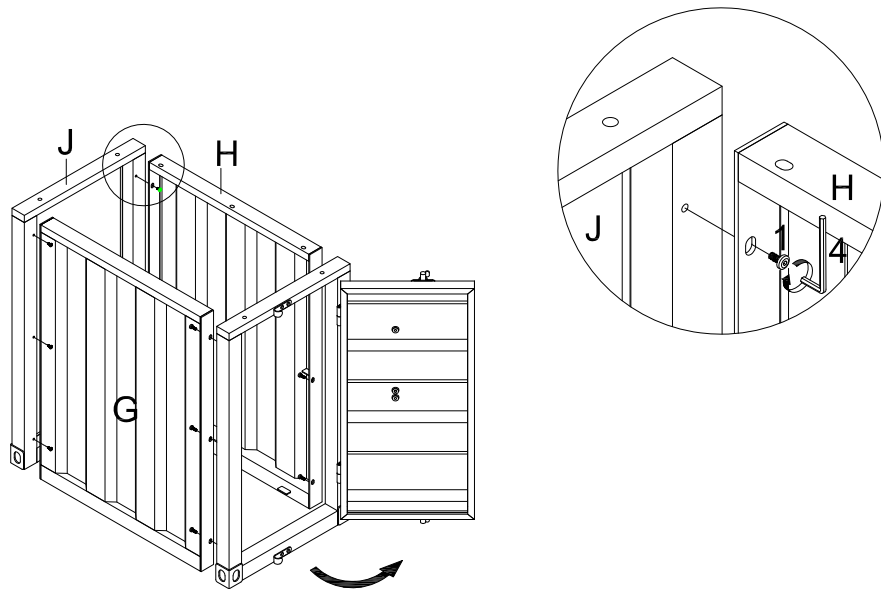
1		32pcs	2		12pcs	3		2pcs
4		1pc	5		1pc	6		2pcs
7		1pc	8		1pc			




STEP 1.



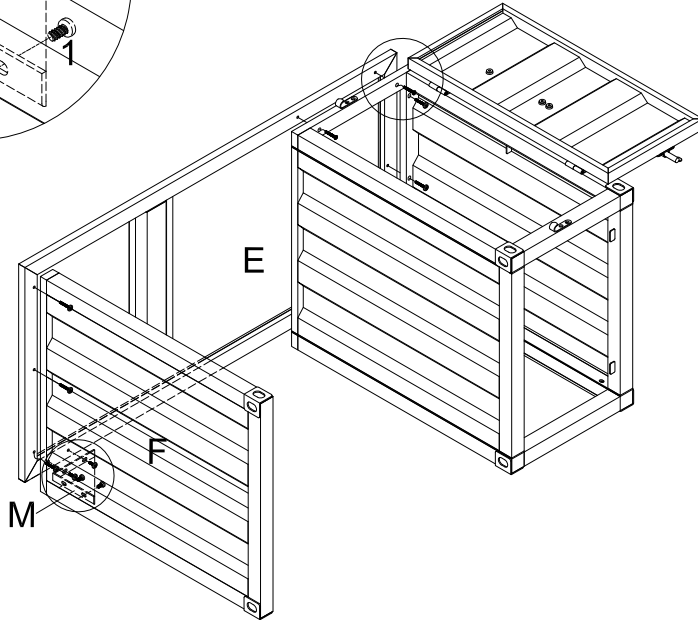
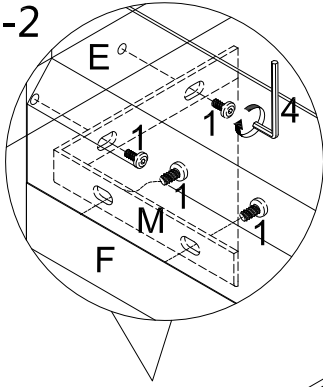
STEP 2.



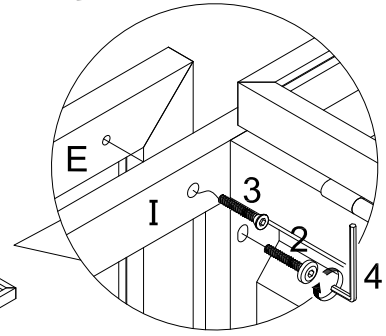
1		12pcs
M6x15		




STEP 3.

3-2

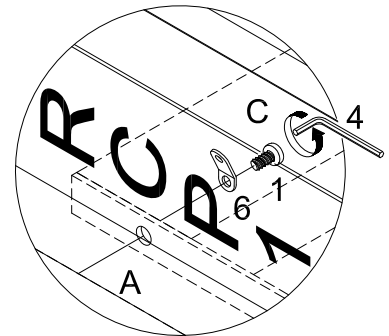
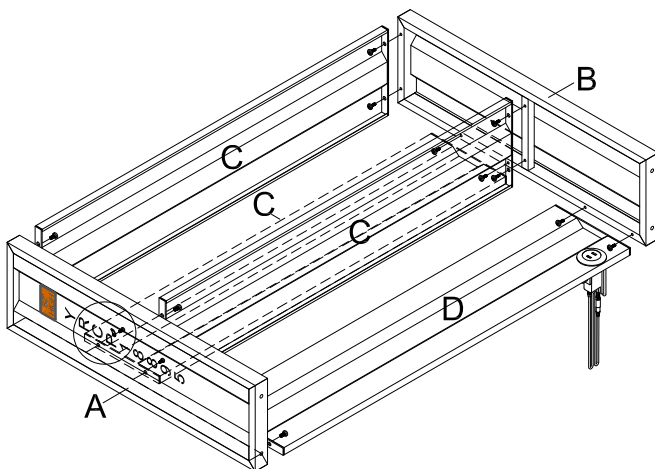




3-1



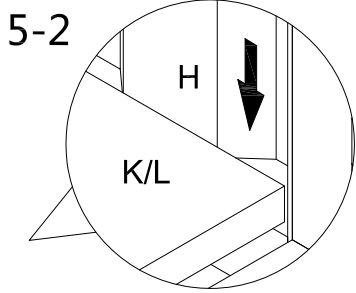
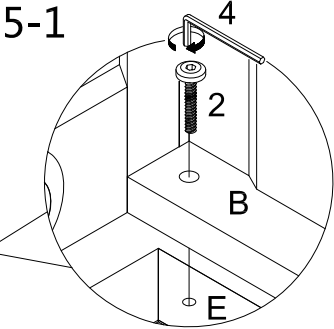
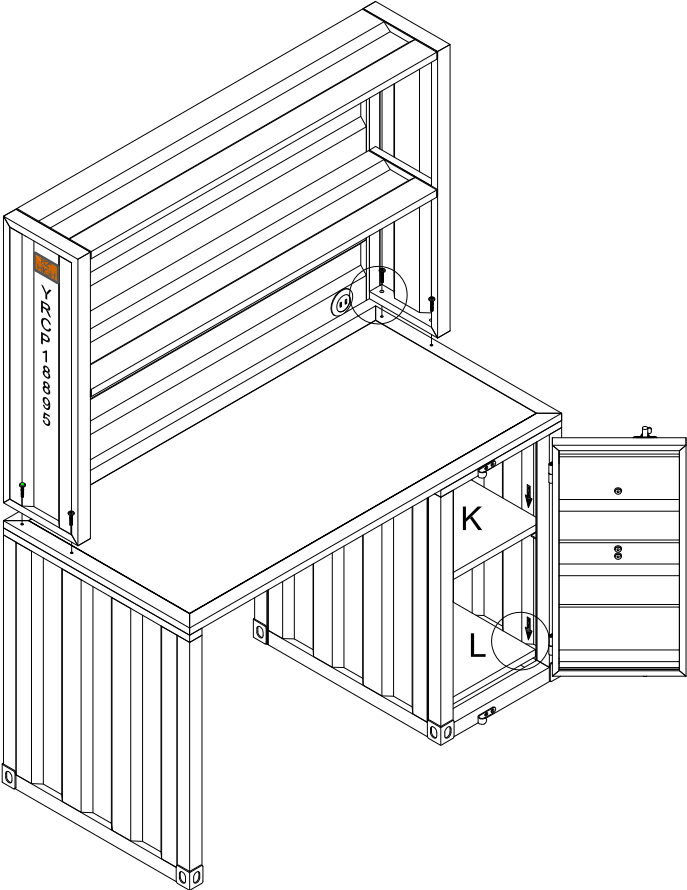
1		4pcs
2		8pcs
3		2pcs


STEP 4.



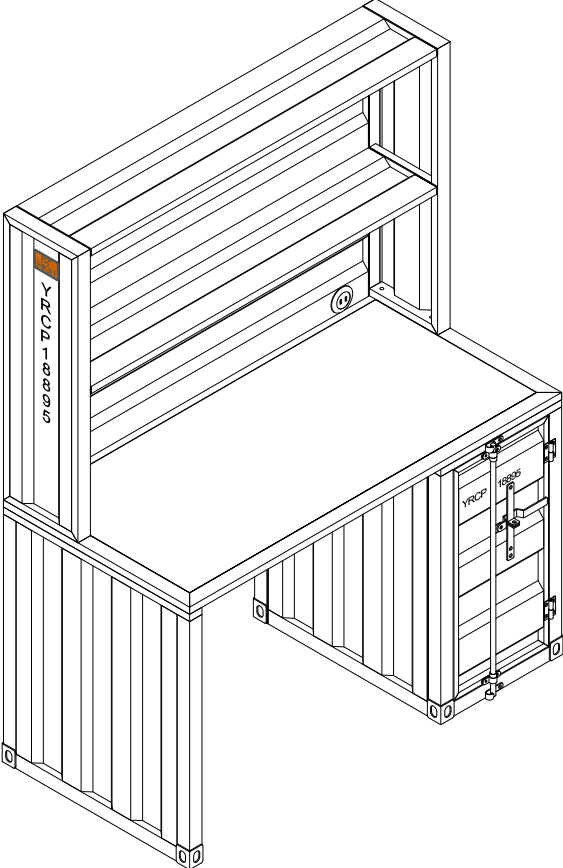
1		16pcs
6		1pc

STEP 5.

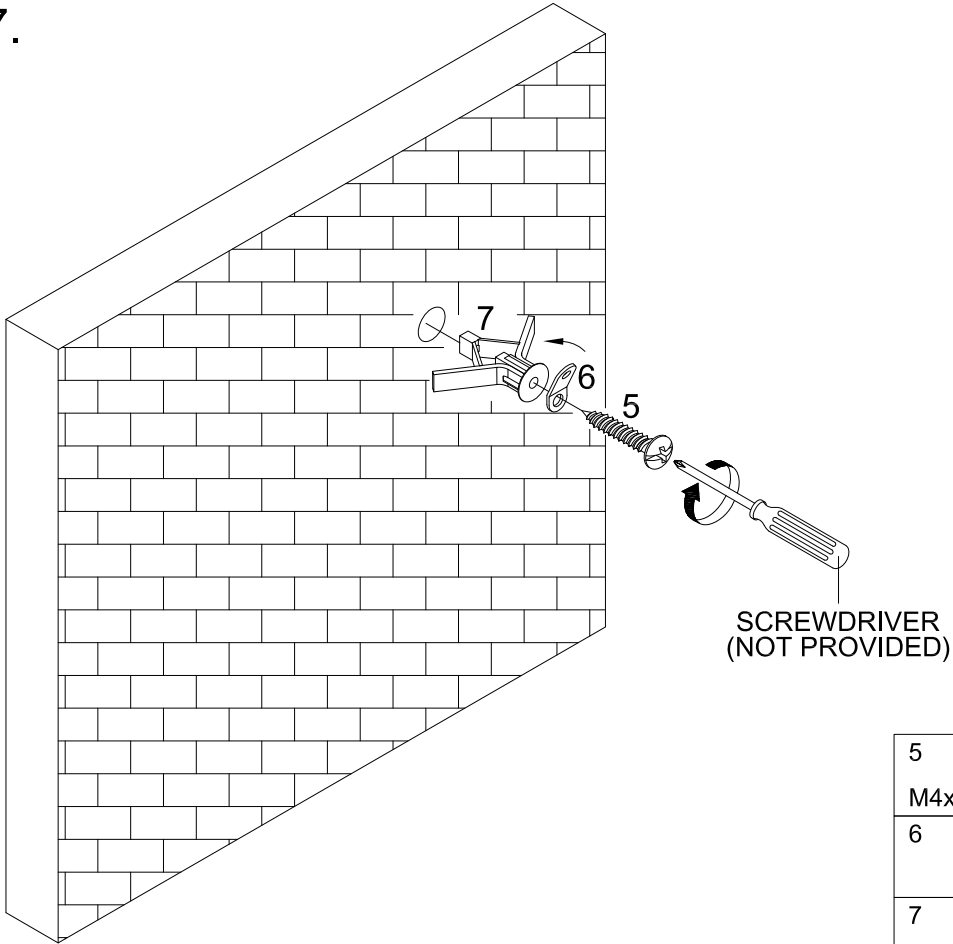




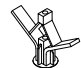
2		4pcs
M6x35		

STEP 6.

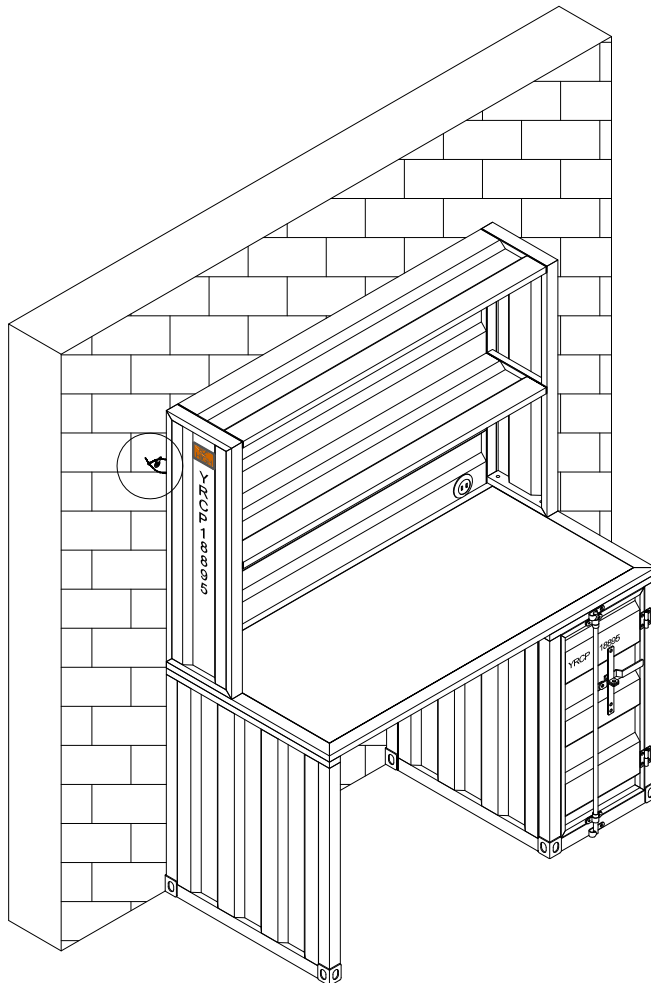


STEP 7.

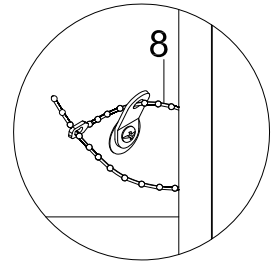



5		1pc
6		1pc
7		1pc

STEP 8.



To Prevent Tip over
Product Must Be
Attached To Wall



8		1pc
---	---	-----