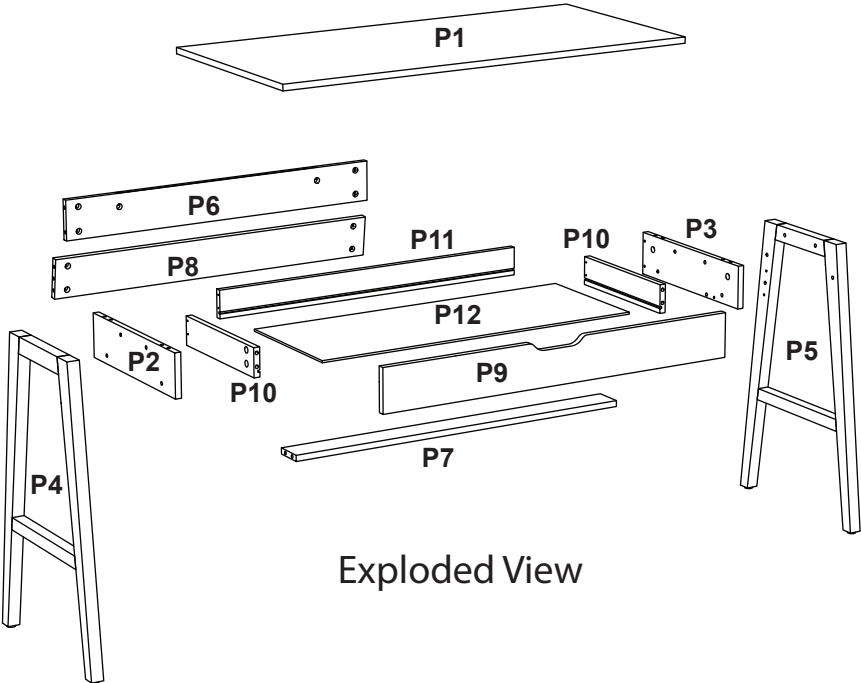
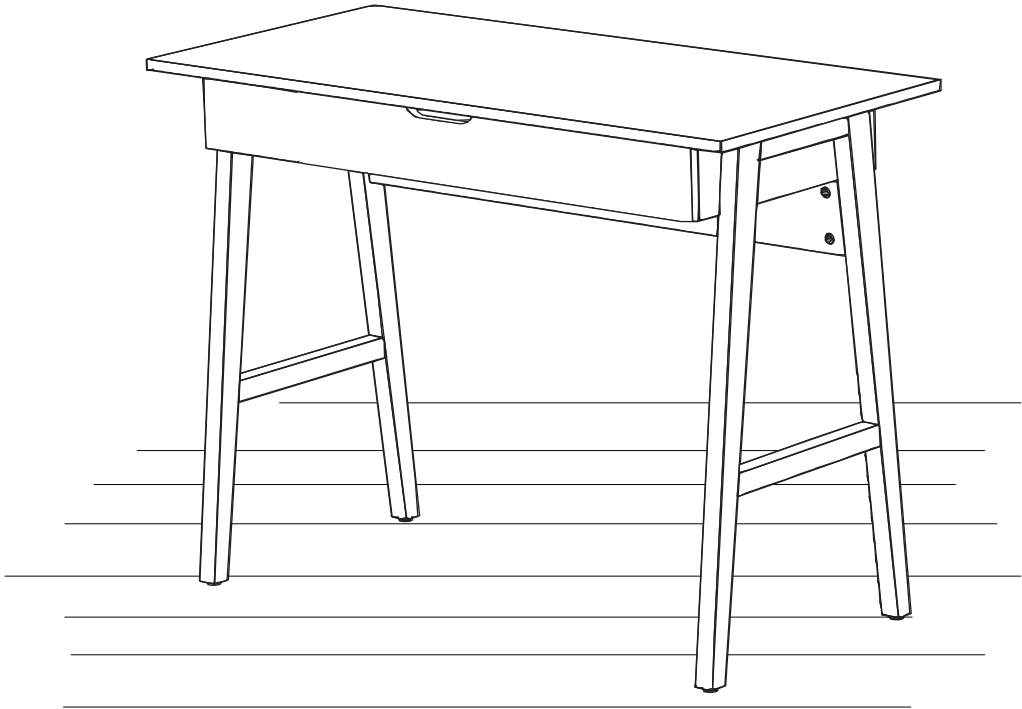
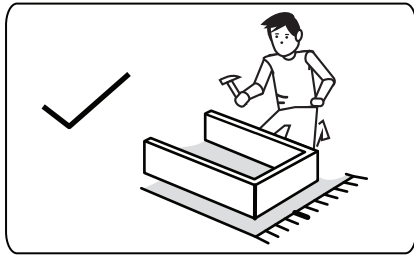
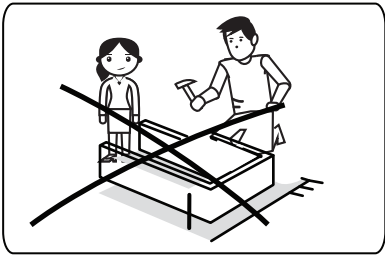
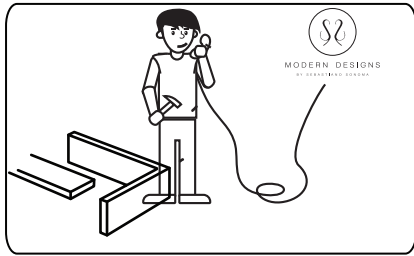
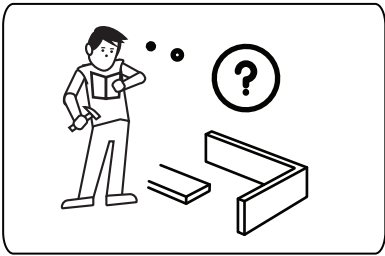
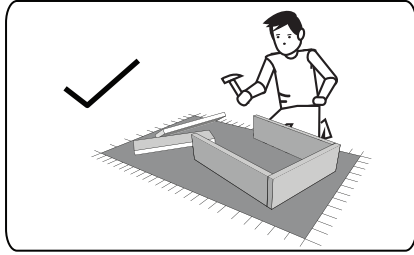
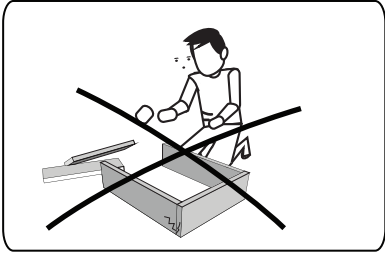
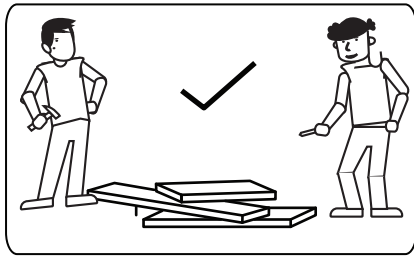
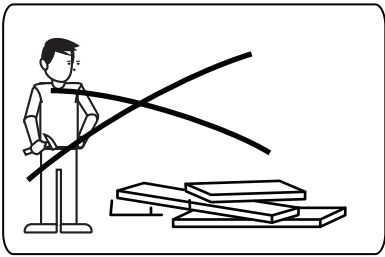


TABLE



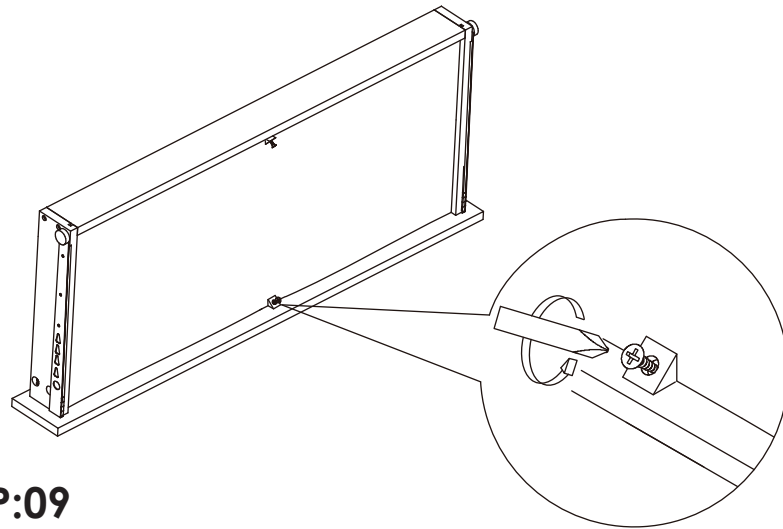
Exploded View





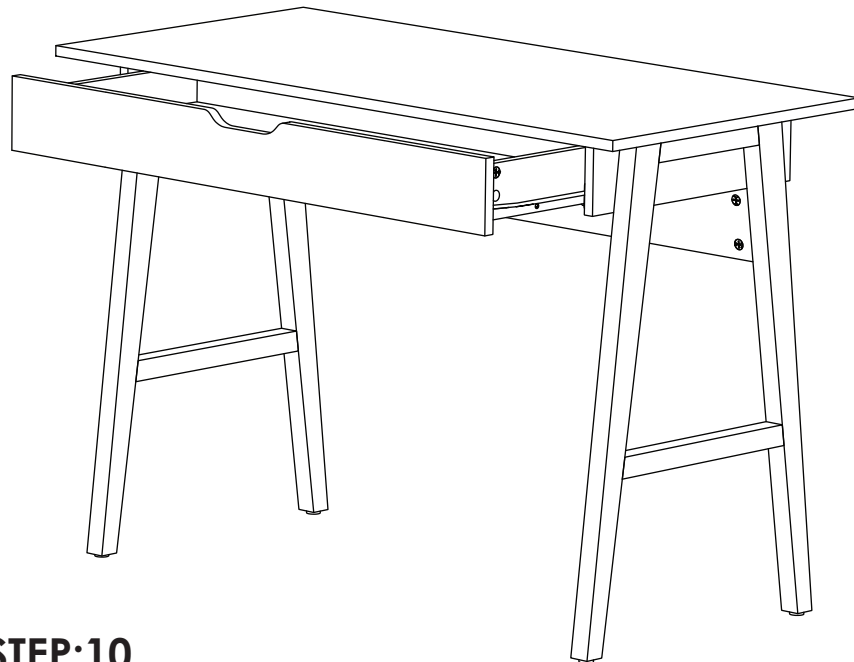
IMPORTANT NOTES

1. Place all wooden parts on a clean and smooth surface such as a rug or carpet to avoid the parts from being scratched.
2. Check to be sure that you have all parts and hardware.
3. Remove all wrapping materials, including stopples & packing straps before you start assemble.
4. Keep all hardware parts out of reach of children



STEP:09

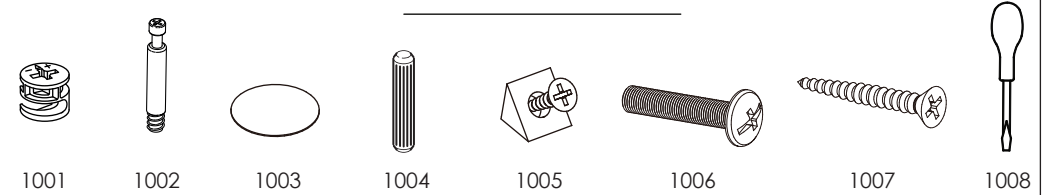
Attach **1005** With Following Positon



STEP:10

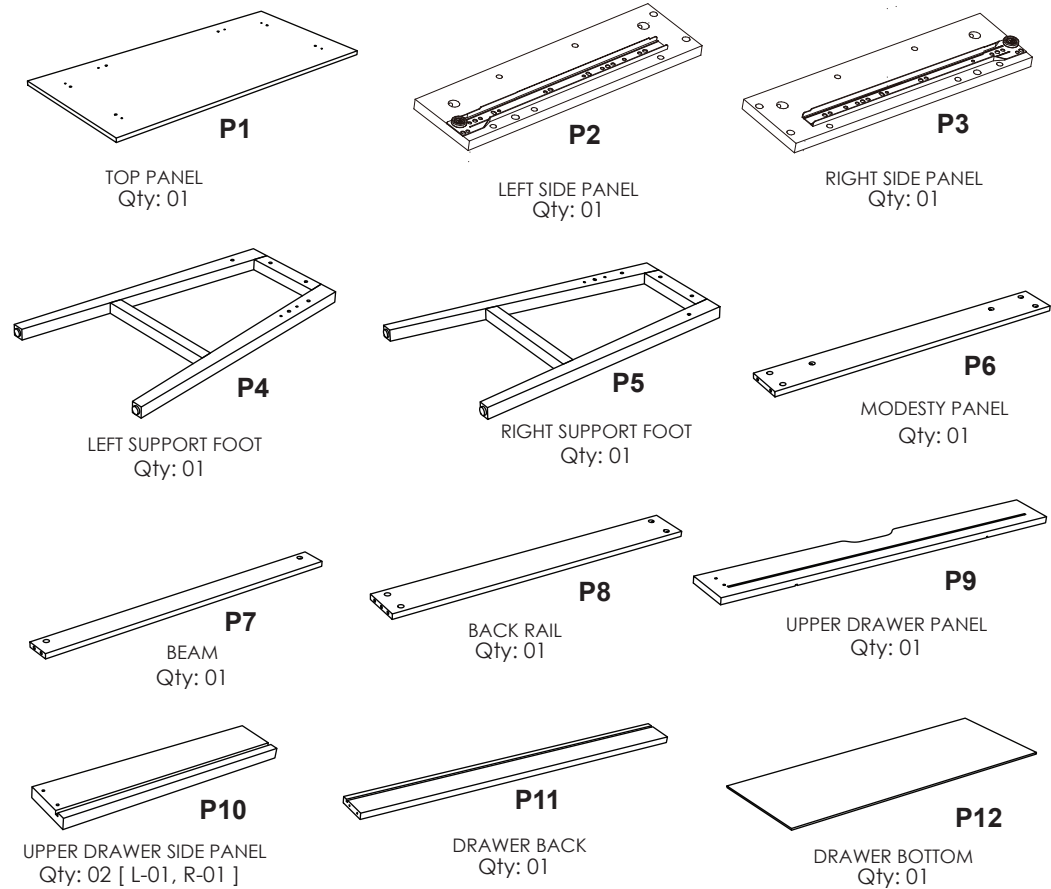
Insert Drawer into following Postion

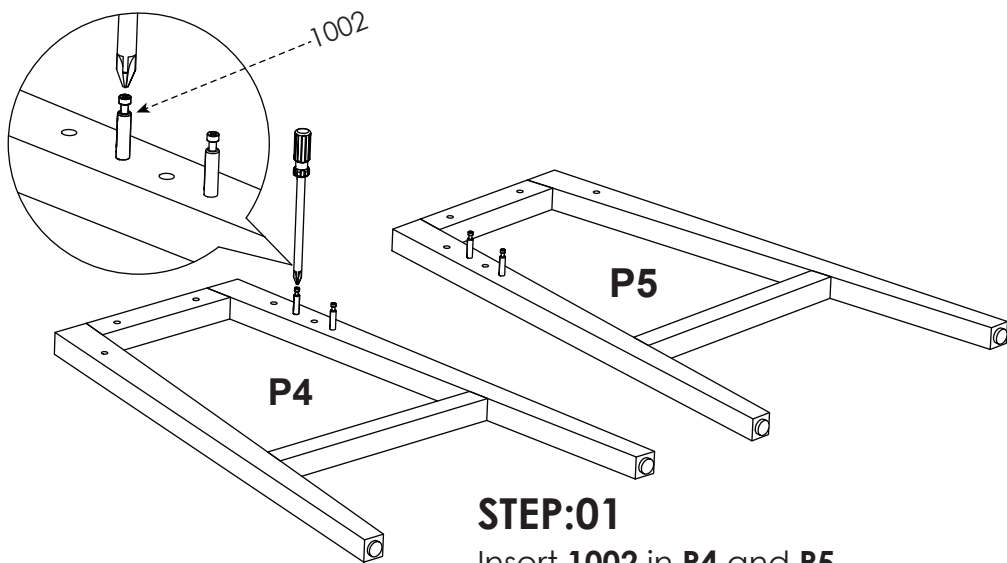
HARDWARE & TOOL DETAILS



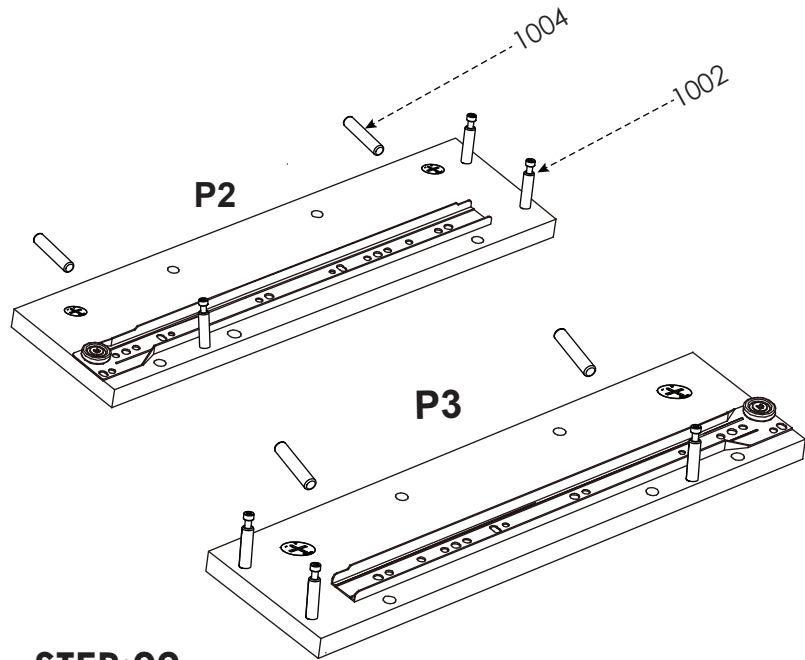
CODE	NAME	QTY	EXTRA
1001	CAM LOCK	20 pcs	1 pcs
1002	HOUSING PIN	20 pcs	1 pcs
1003	CAM COVER	20 pcs	1 pcs
1004	DOWEL	10 pcs	1 pcs
1005	BUTTON	02 pcs	0
1006	SCREW	08 pcs	0
1007	WOOD SCREW	04 pcs	0
1008	STAR SCREW-DRIVER		NOT PROVIDED

COMPONENT DETAILS

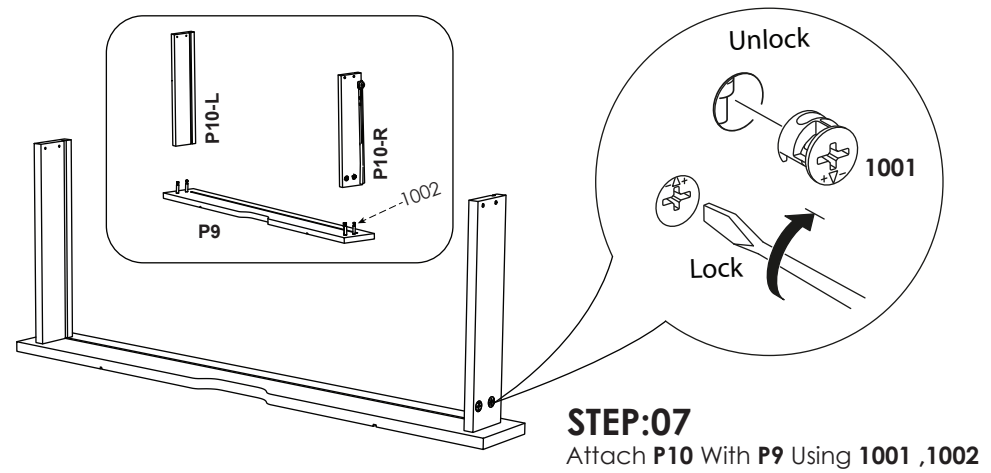




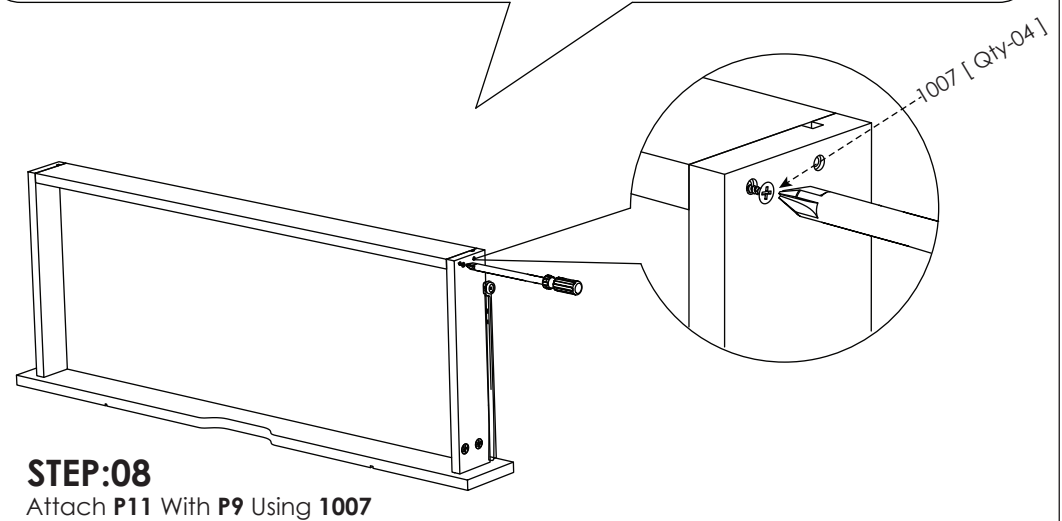
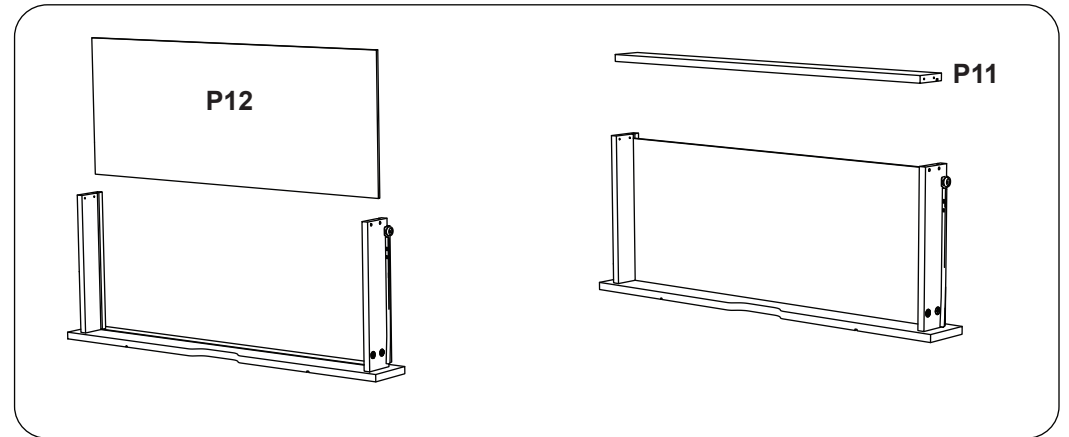
STEP:01
Insert **1002** in **P4** and **P5**



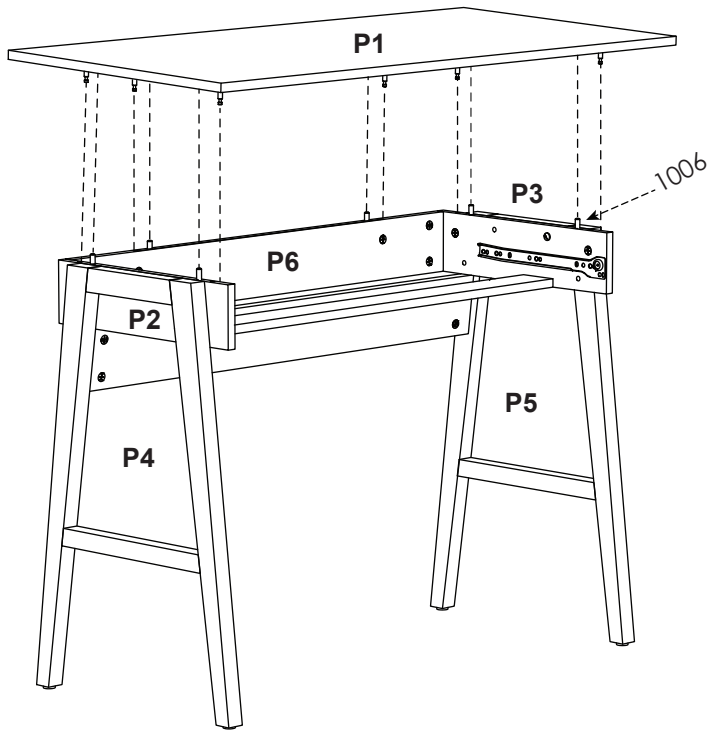
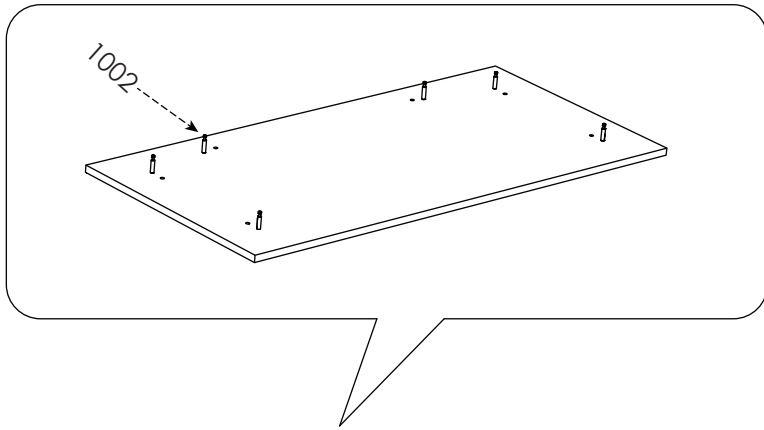
STEP:02
Insert **1002**, **1004** in **P2** and **P3**



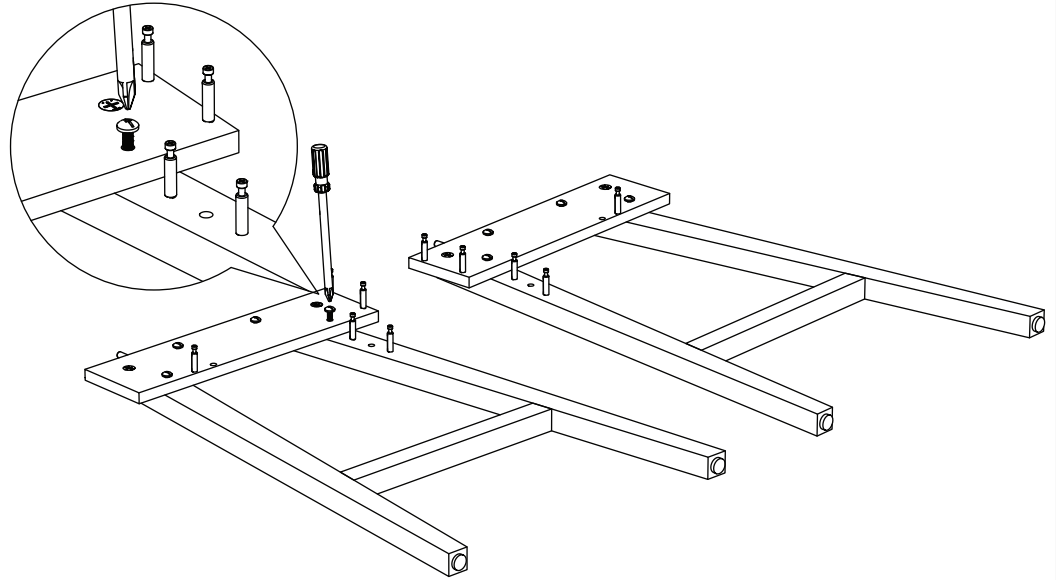
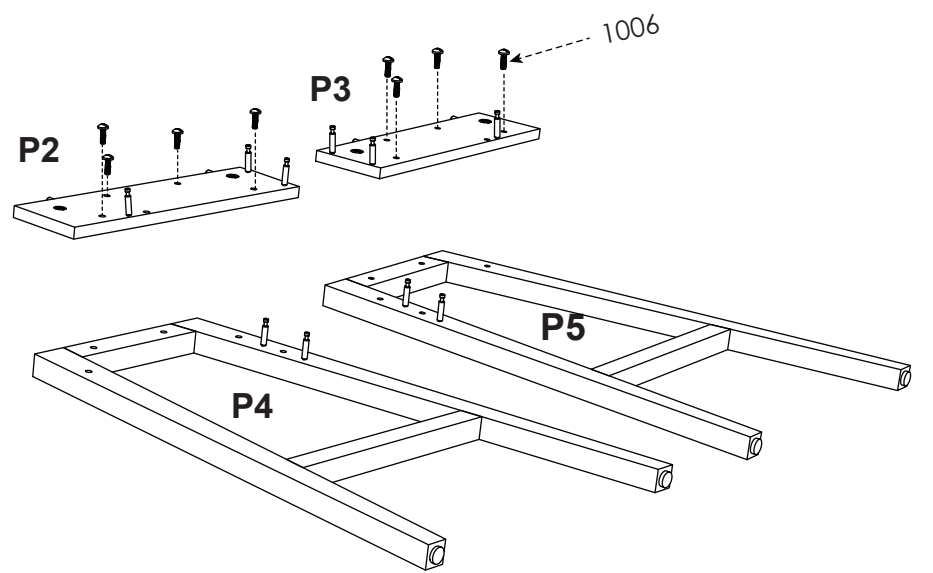
STEP:07
Attach **P10** With **P9** Using **1001** ,**1002**



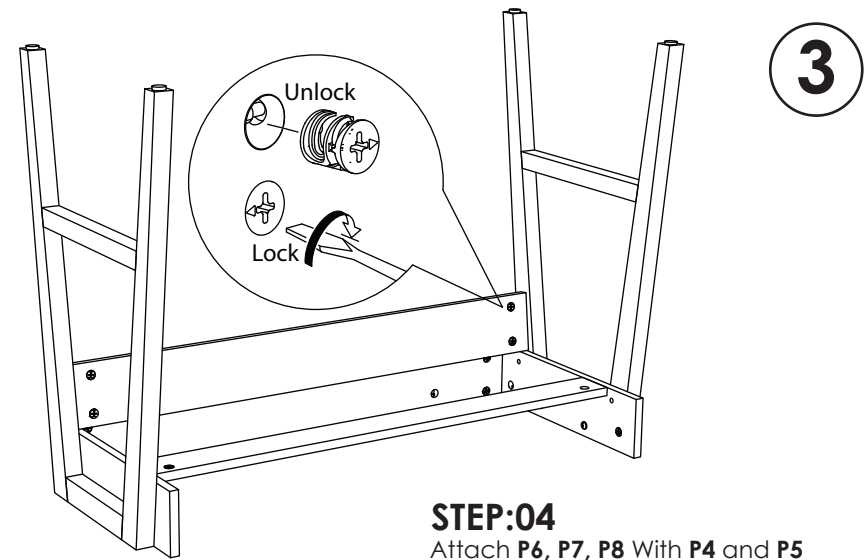
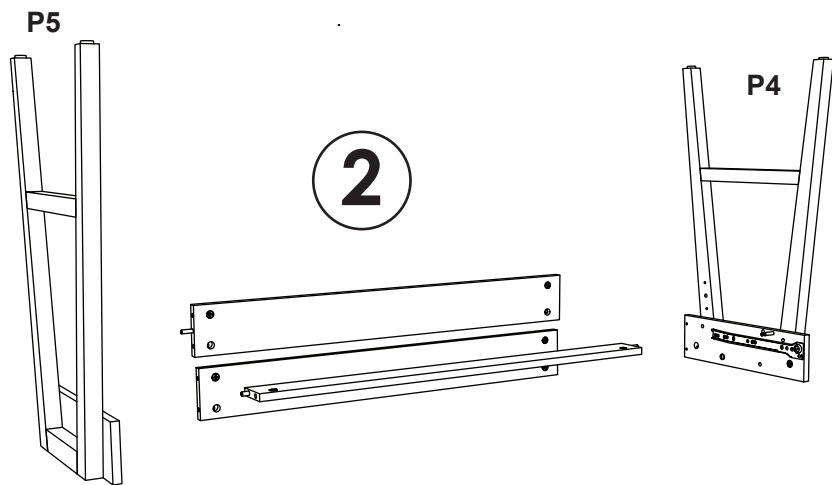
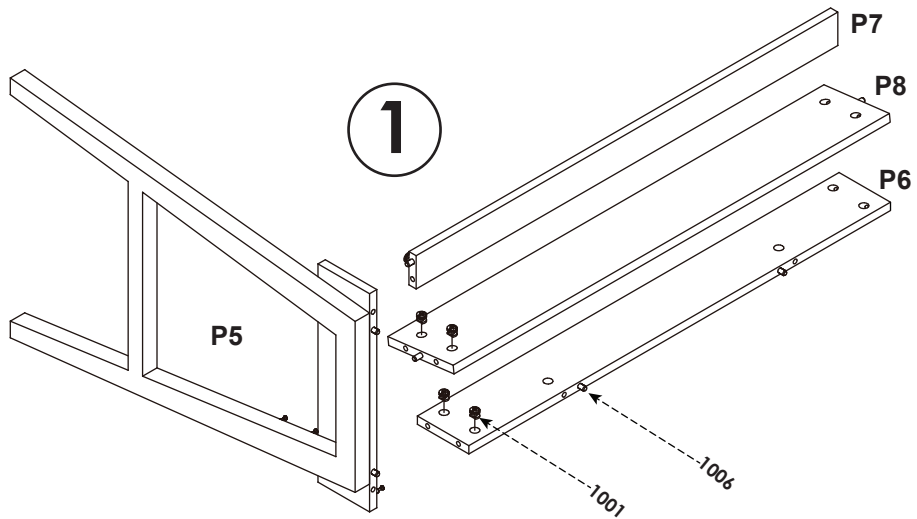
STEP:08
Attach **P11** With **P9** Using **1007**



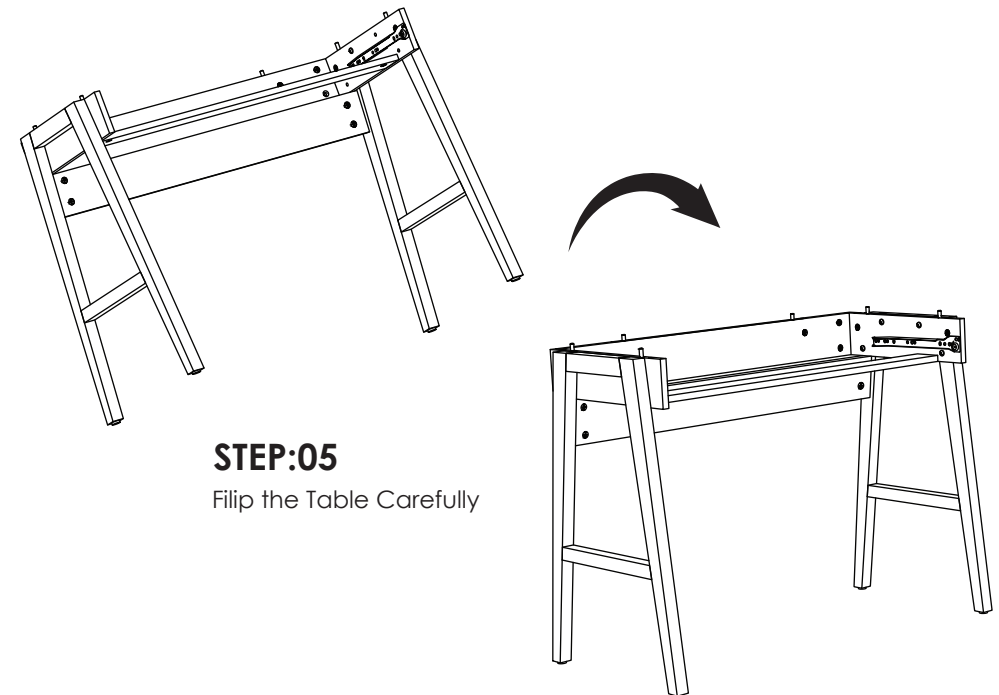
STEP:06
 Attach P1 With P2, P3, P6 Using 1002 ,1006



STEP:03
 A) Attach P2 WITH P4 Using 1006
 B) Attach P3 WITH P5 Using 1006



STEP:04
 Attach P6, P7, P8 With P4 and P5
 Using 1001, 1002, 1006



[REMEMBER]
 Use Cam cover-1003
 After
 Using Cam Lock-1001

