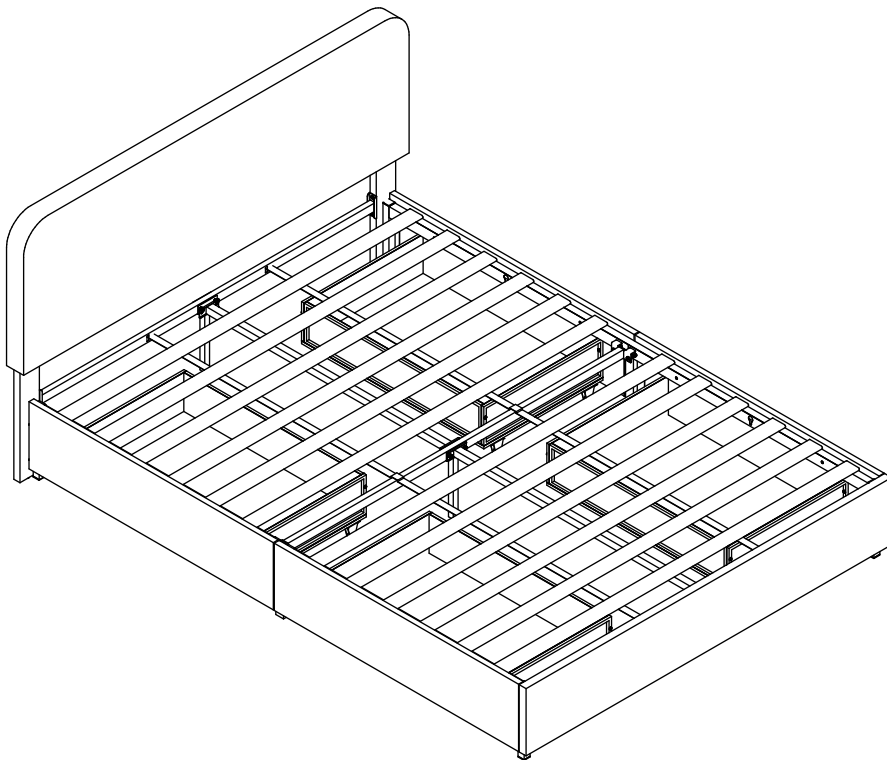


# ASSEMBLY INSTRUCITONS

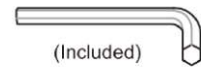
Weight Limit:  
Bed: 800LBS  
Drawer:40LBS



## TOOLS REQUIRED



Screwdriver  
( Not included)



(Included)  
Allen Wrench



2 - People

## ASSEMBLY RATING

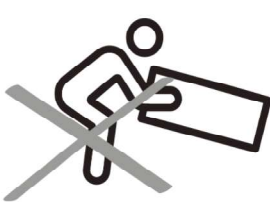


EASY —————> DIFFICULT

The Assembly Rating is a 5-point system showing the level of effort needed to assemble a specific product.

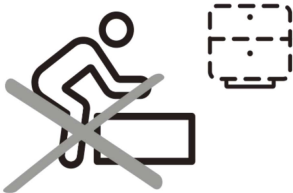
# PRE ASSEMBLY INTRODUCTION

We understand building ready-to-assemble furniture can be a challenging experience for some. To help avoid confusion, we have provided some helpful tips that may speed up the process.



## Teamwork

ALWAYS have at least two people to help with transporting and assembling the product to avoid potential injury and/or damage.



## Suitable Location

Assembling near the area of the intended location is highly recommended.



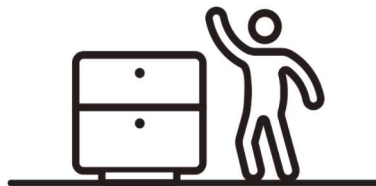
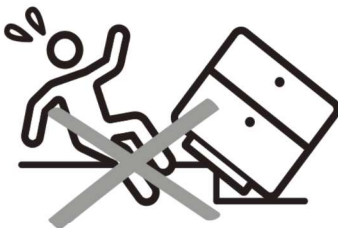
## Sufficient Space

Make sure you have enough space to move around during the assembly.



## Avoid Scratches

Use cardboard, blankets or a carpeted area while assembling furniture to prevent to prevent scratches and damages.



## Flat Surface

Make sure the furniture rests on a flat and level surface with each leg evenly touching the floor.

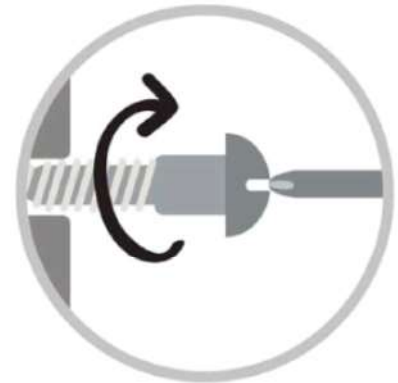
# ASSEMBLY AND CARE ADVICE



**FAILURE TO FOLLOW THE GUIDELINES BELOW MAY RESULT IN INJURY AND/OR PROPERTY DAMAGE.**



Position each part correctly and insert screws or bolts into their respective holes.



Turn clockwise to tighten and only tighten when step is completed or when instructed to do so.



Use the appropriate hand tools or power tools for assembly. Select steps, such as tightening screws and/or bolts, may require hand tools to avoid causing damage during assembly.



Save the instructions and store any supplied tools for later maintenance.



After two weeks, check and tighten any loose hardware and repeat again every six months thereafter.

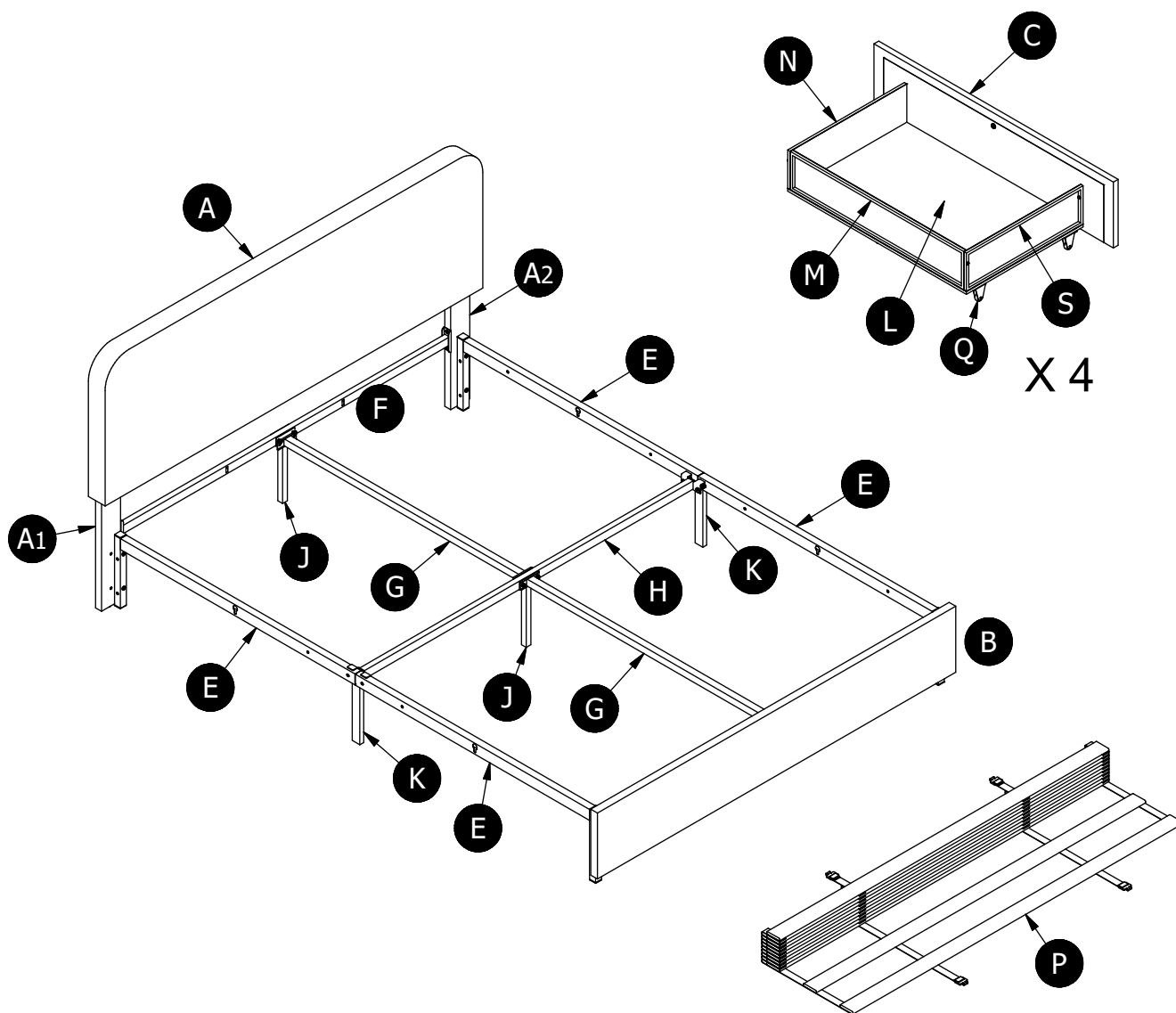
IT IS THE USER'S RESPONSIBILITY TO MAINTAIN THE FURNITURE. THE HARDWARE MAY LOOSEN OVER TIME AND MAY CAUSE THE FURNITURE TO BE WOBBLY AND UNABLE TO SUPPORT ITS INTENDED WEIGHT CAPACITY. THIS MAY LEAD TO COLLAPSE AND MAY CAUSE SERIOUS INJURY.

# BED



- Please keep instructions for future reference.
- Check the quantity and irregularity of parts and hardware before you start.

## PARTS



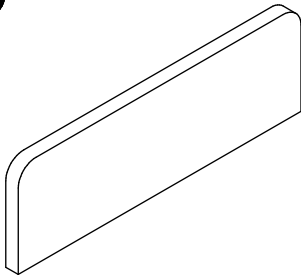
# BED



- Please keep instructions for future reference.
- Check the quantity and irregularity of parts and hardware before you start.

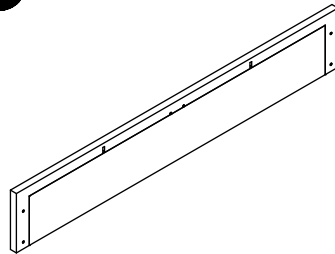
## PARTS

A



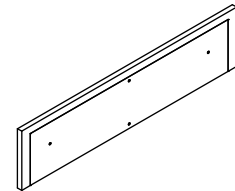
Headboard  
1pc.

B



Footboard  
1pc.

C



Drawer Panel  
4pcs.

A1



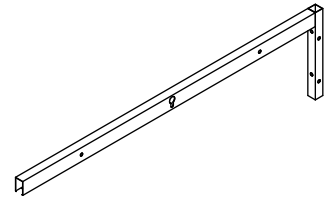
High Leg  
1pc.

A2



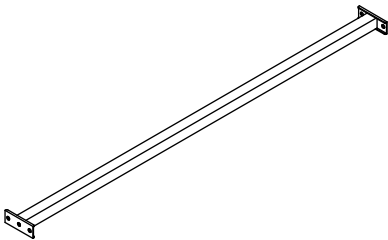
High Leg  
1pc.

E



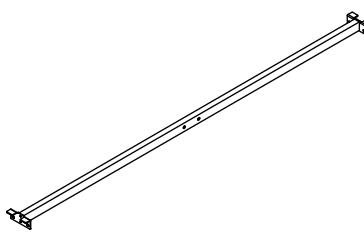
Side Rail  
4pcs.

G



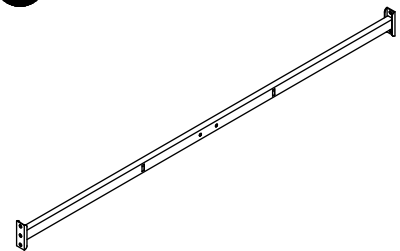
Center Rail  
2pcs.

H



Cross Brace  
1pc.

F



Cross rail  
1pc.

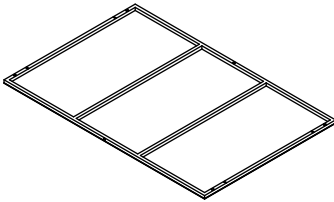
# BED



- Please keep instructions for future reference.
- Check the quantity and irregularity of parts and hardware before you start.

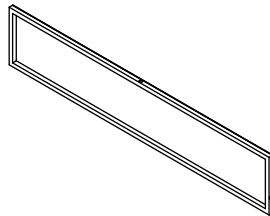
## PARTS

L



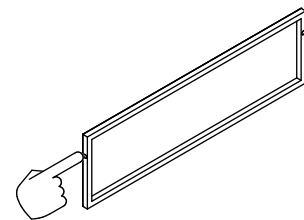
Drawer Bottom Panel  
4pcs.

M



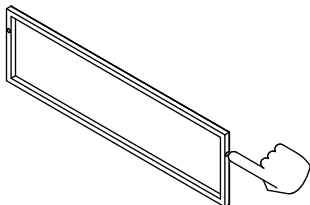
Drawer Back Panel  
4pcs.

N



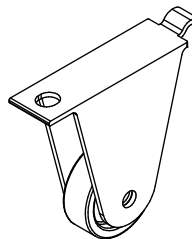
Drawer Side Panel  
4pcs.

S



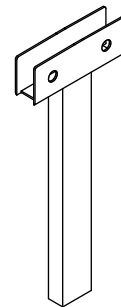
Drawer Side Panel  
4pcs.

Q



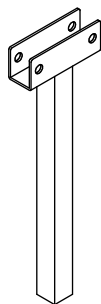
Caster  
16pcs.

K



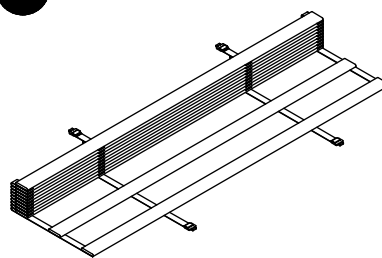
Side support Leg  
2pcs.

J



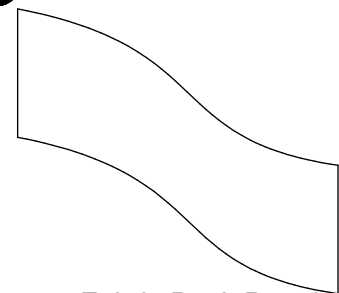
Support Leg  
2pcs.

P



Wooden Slats  
1pc.

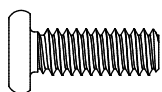
N<sub>1</sub>



Fabric Back Panel  
1pc.

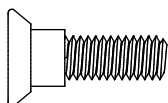
# HARDWARE

1



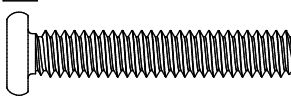
1/4" X 17mm  
6pcs.

2



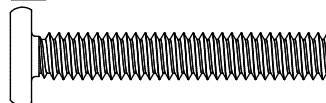
1/4" X 18mm  
4pcs.

3



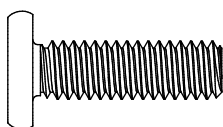
1/4" X 35mm  
4pcs.

4



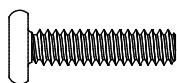
1/4" X 40mm  
12pcs.

5



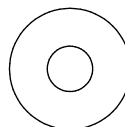
5/16" X 25mm  
4pcs.

6



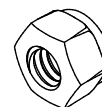
3/16" X 20mm  
40pcs.

7



1/4"  
8pcs.

8



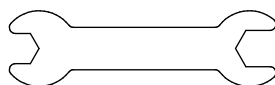
1/4"  
4pcs.

9



4mm Allen Key  
1pc.

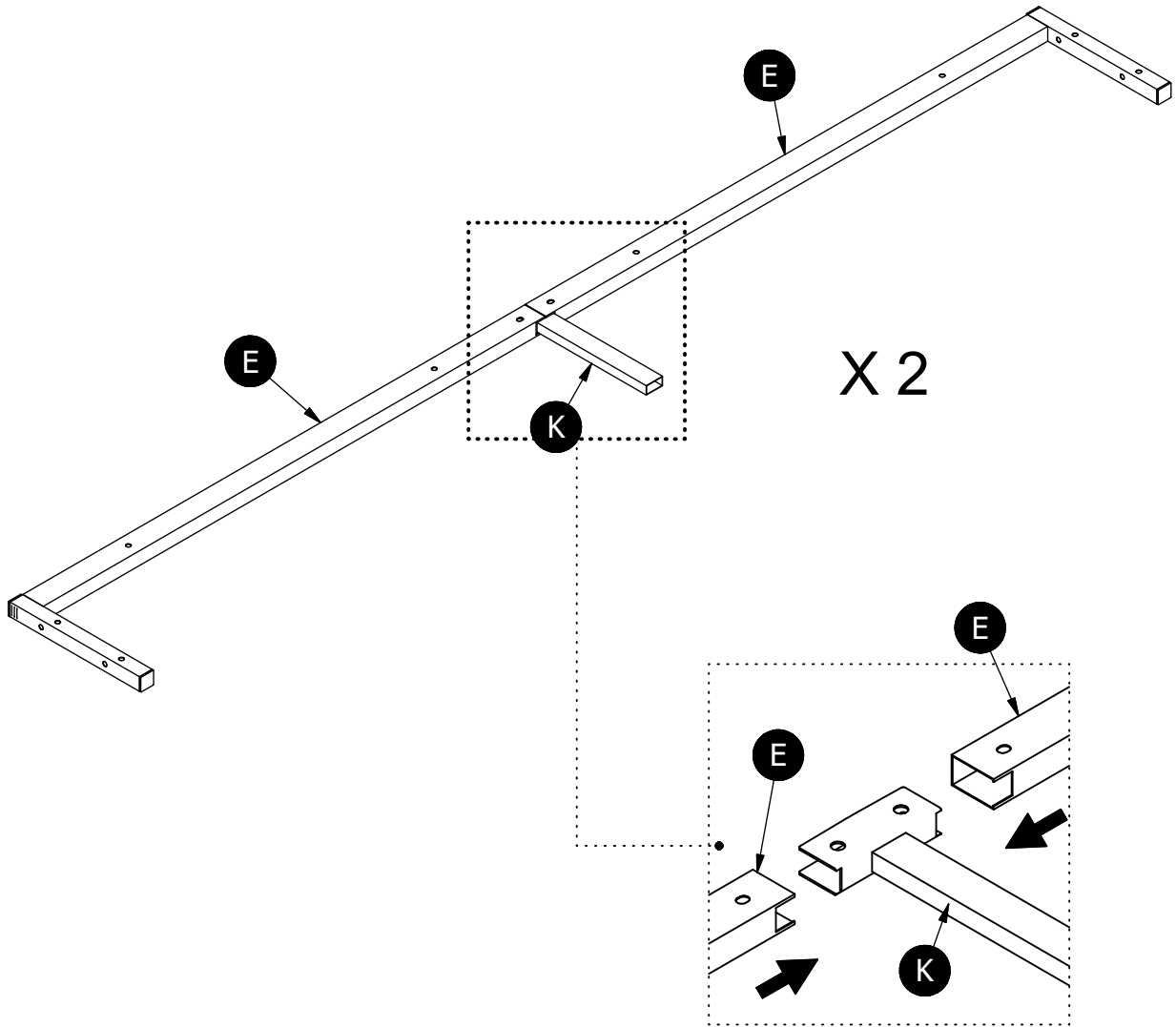
10



Wrench  
1pc.

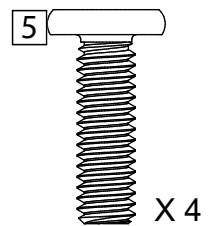
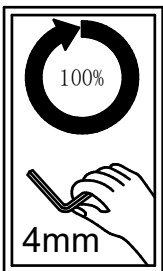
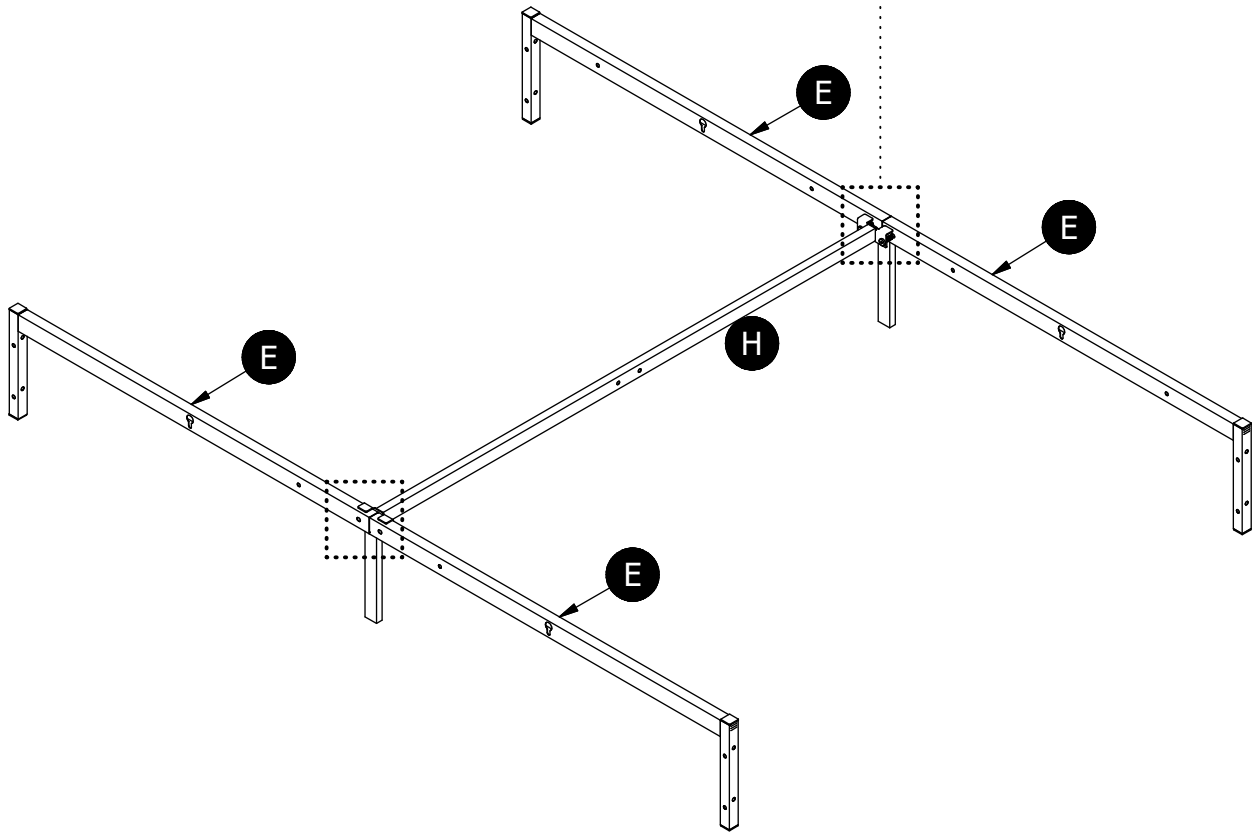
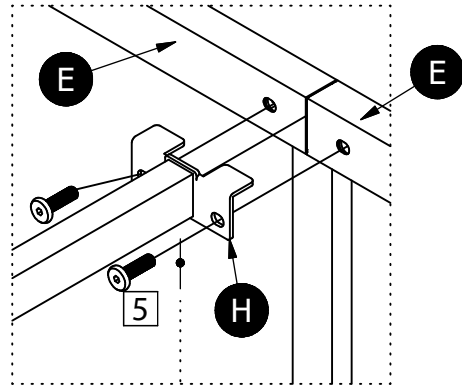
# ASSEMBLY INSTRUCTIONS

1



# ASSEMBLY INSTRUCTIONS

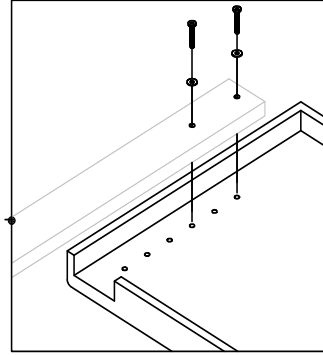
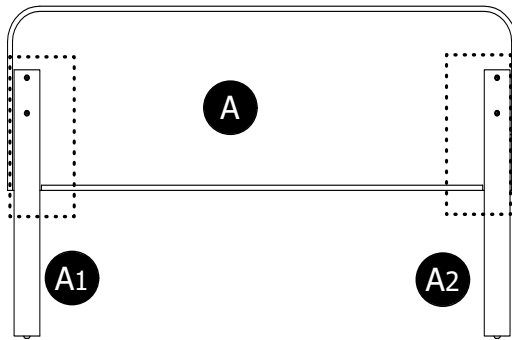
2



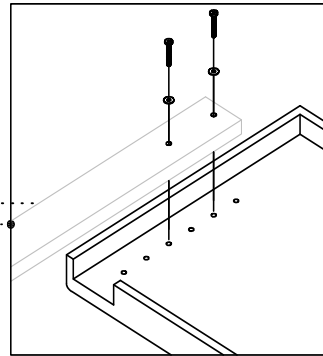
# ASSEMBLY INSTRUCTIONS

3

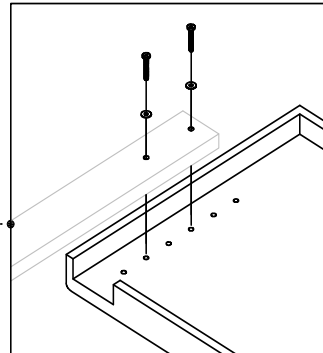
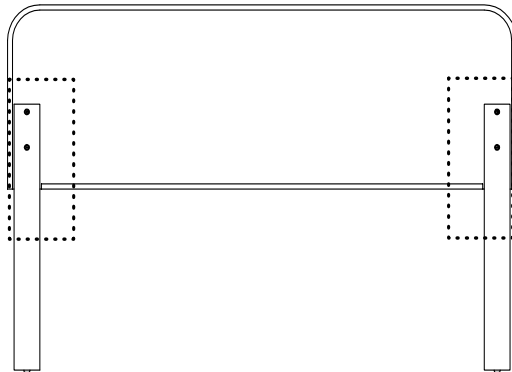
(1)



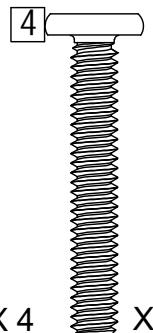
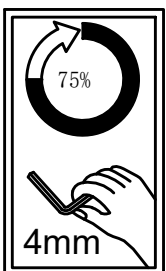
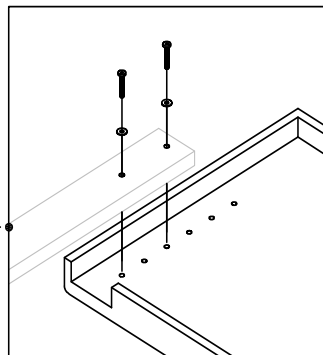
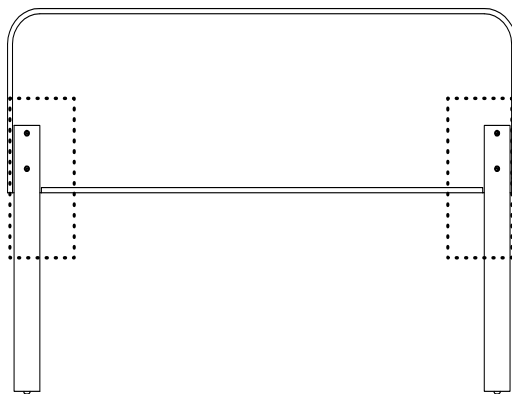
(2)



(3)



(4)

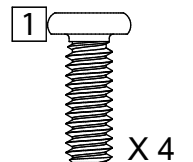
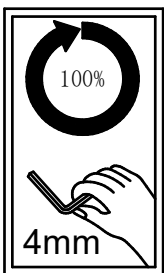
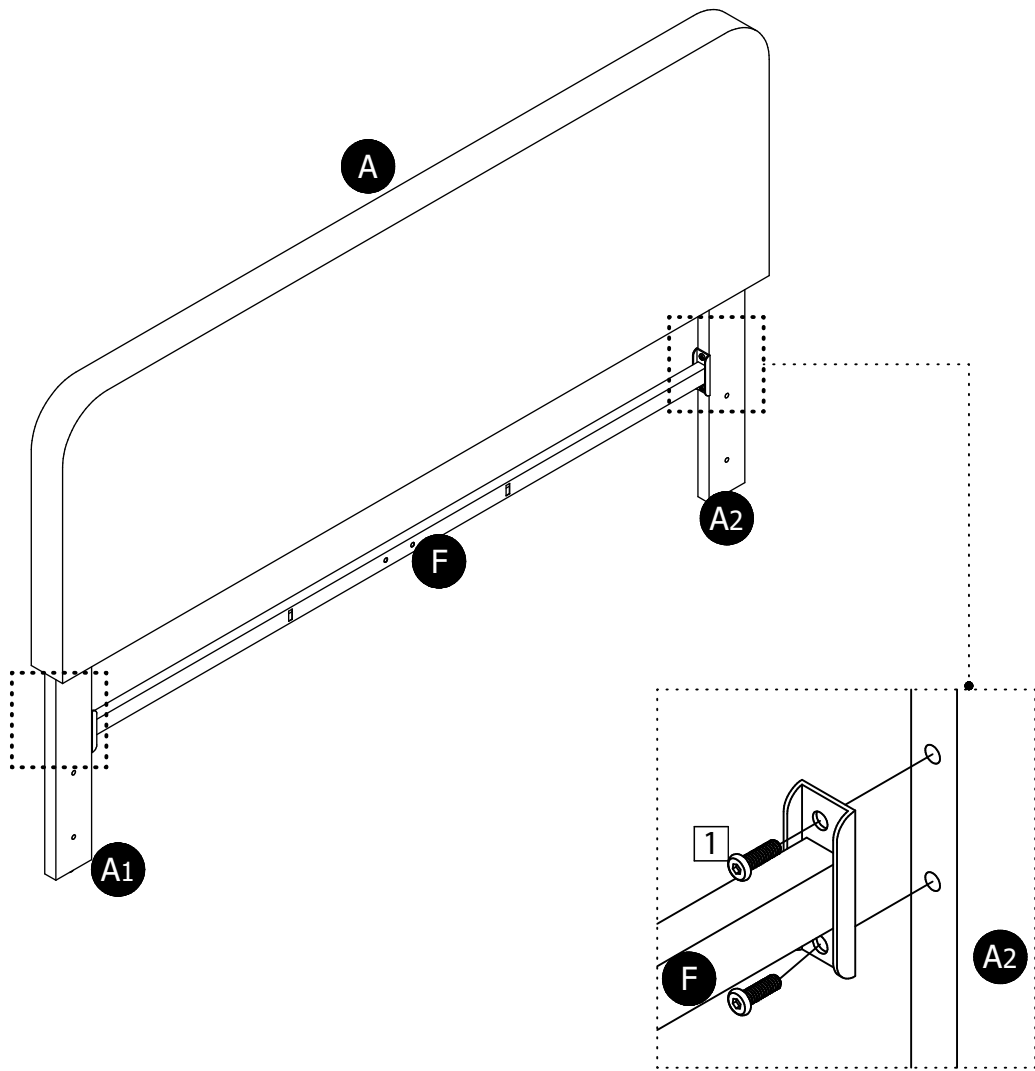


X 4

X 4

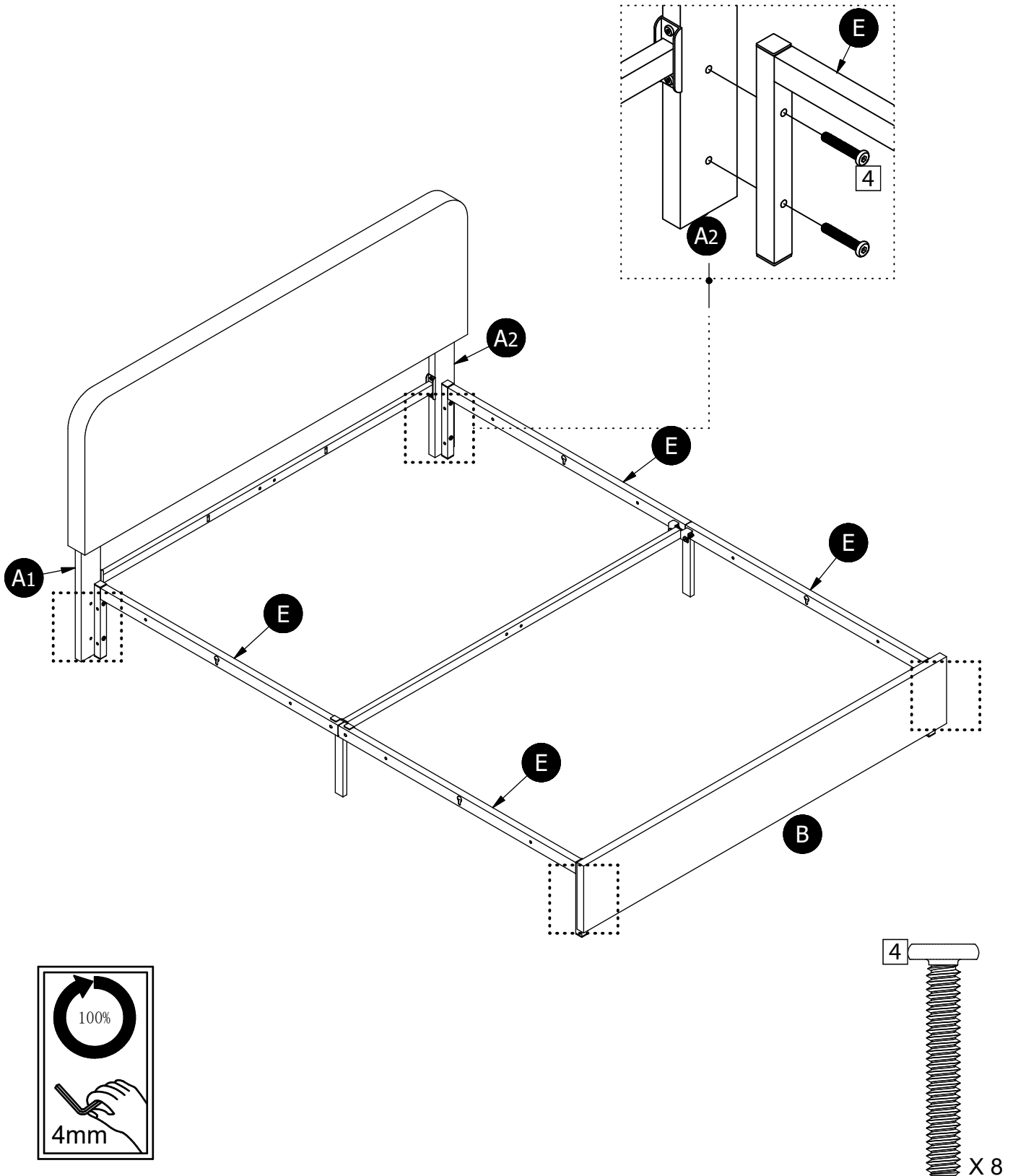
# ASSEMBLY INSTRUCTIONS

4



# ASSEMBLY INSTRUCTIONS

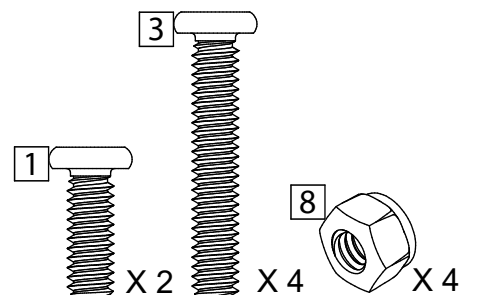
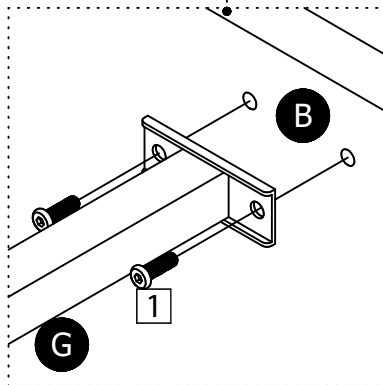
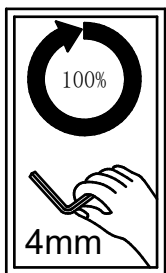
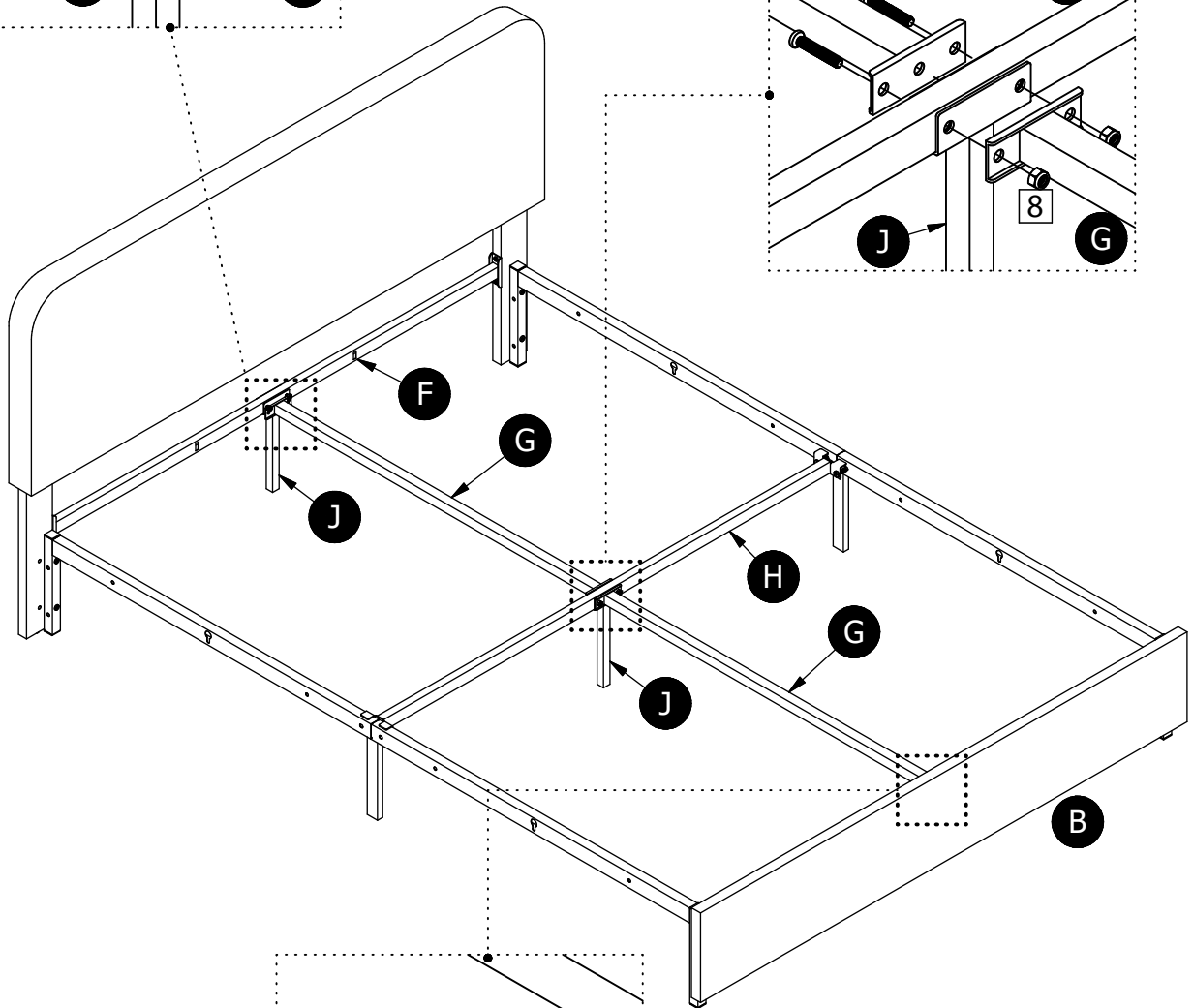
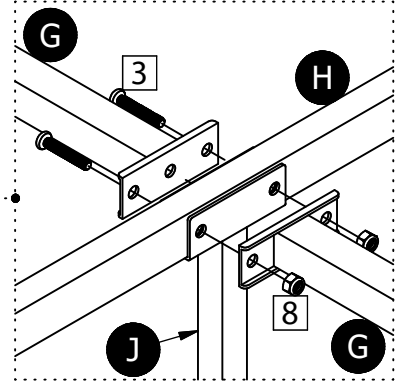
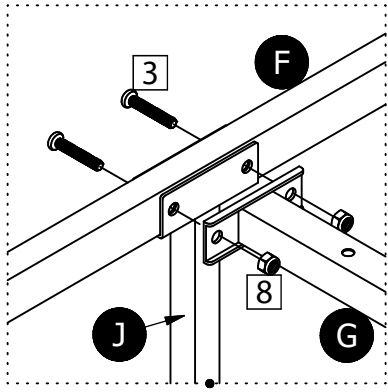
## 5



X 8

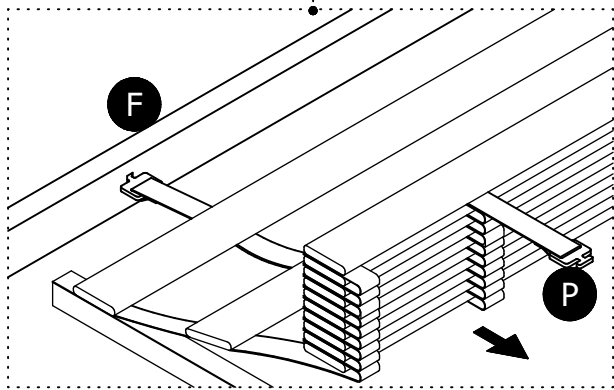
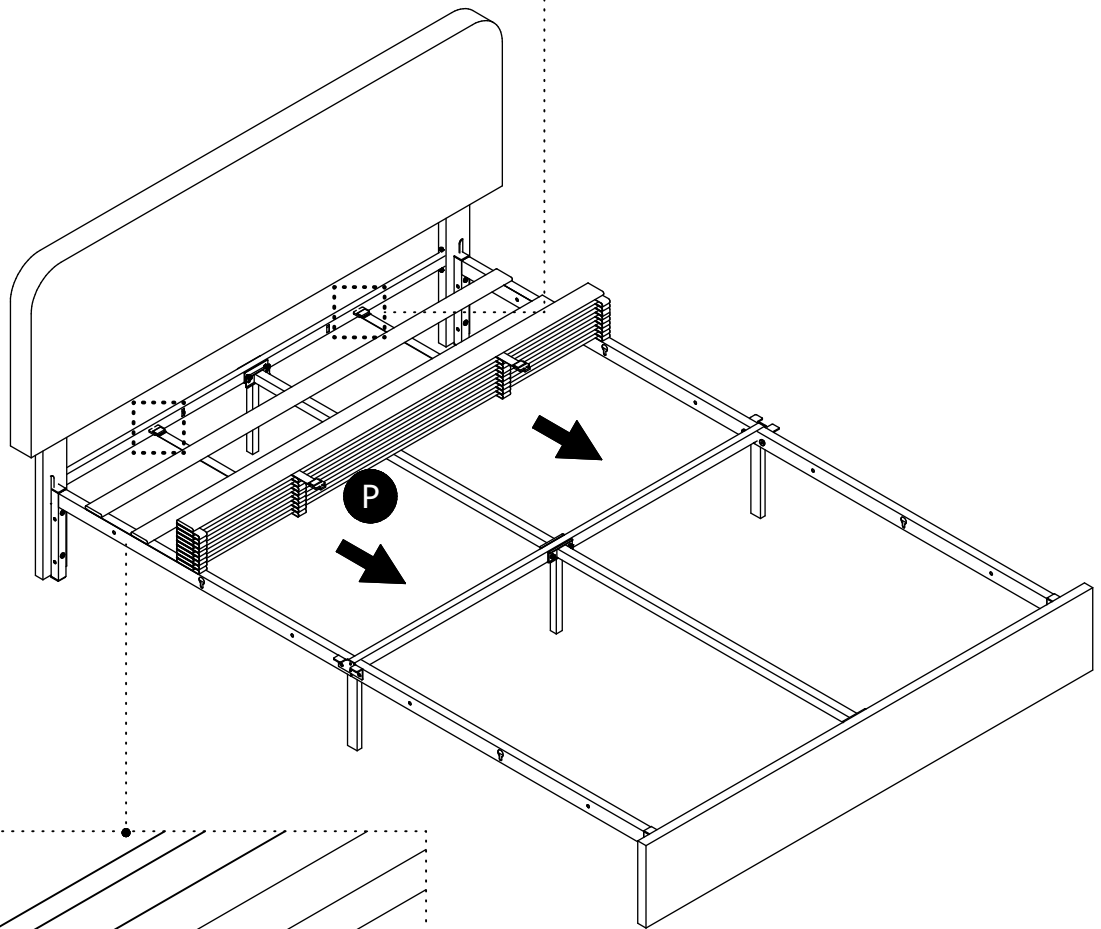
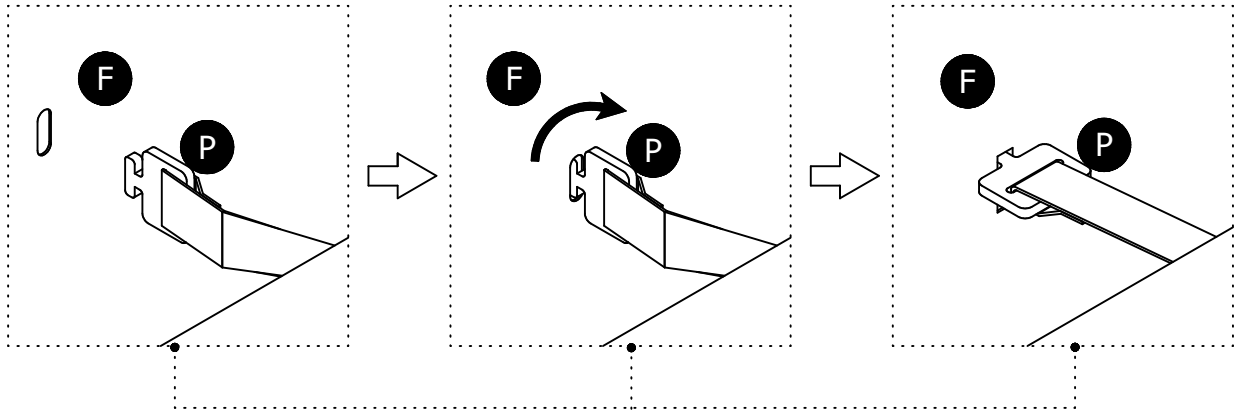
# 6

## ASSEMBLY INSTRUCTIONS



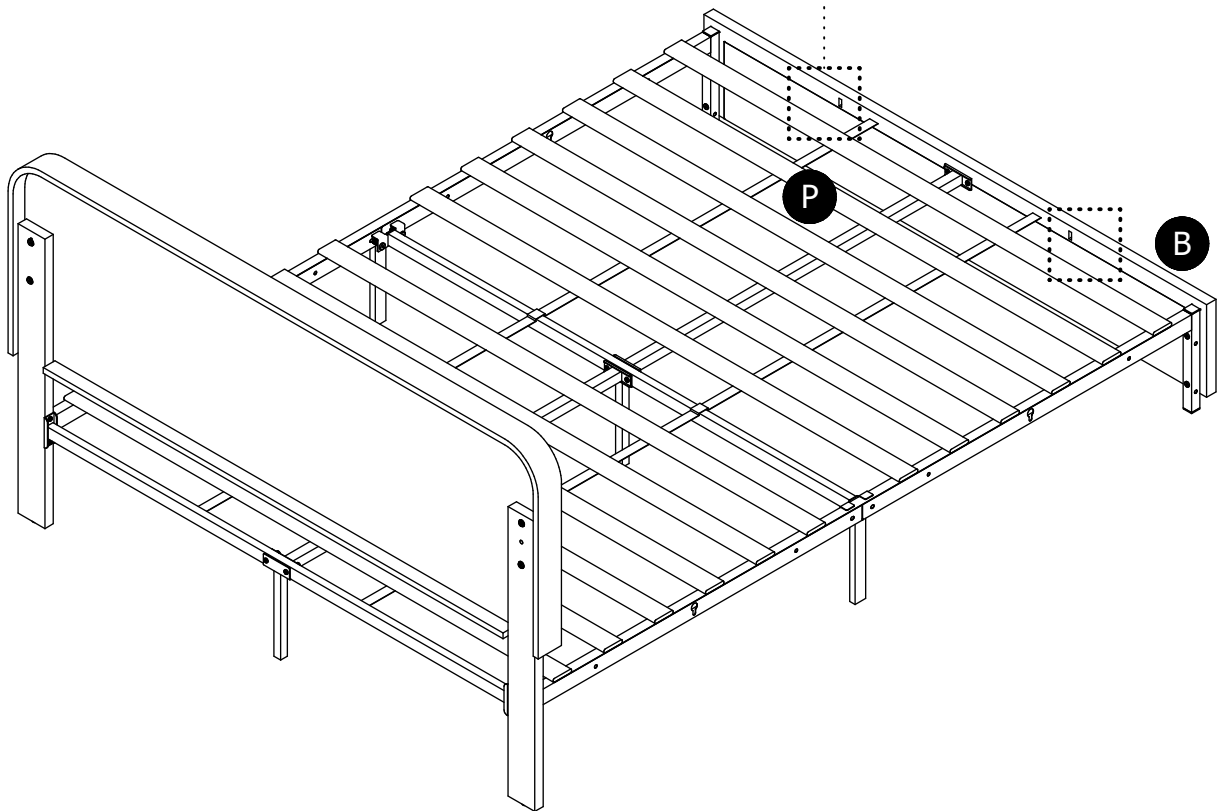
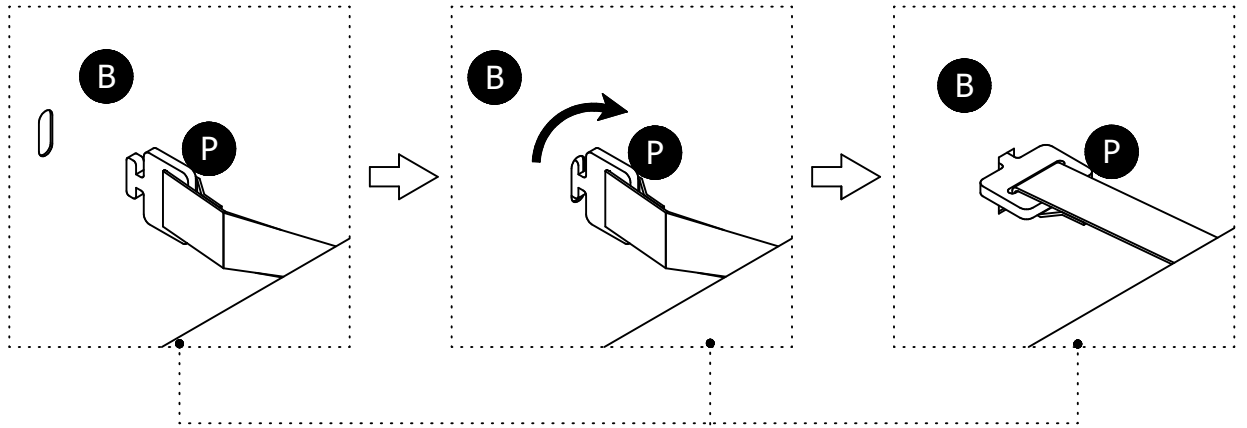
# ASSEMBLY INSTRUCTIONS

7



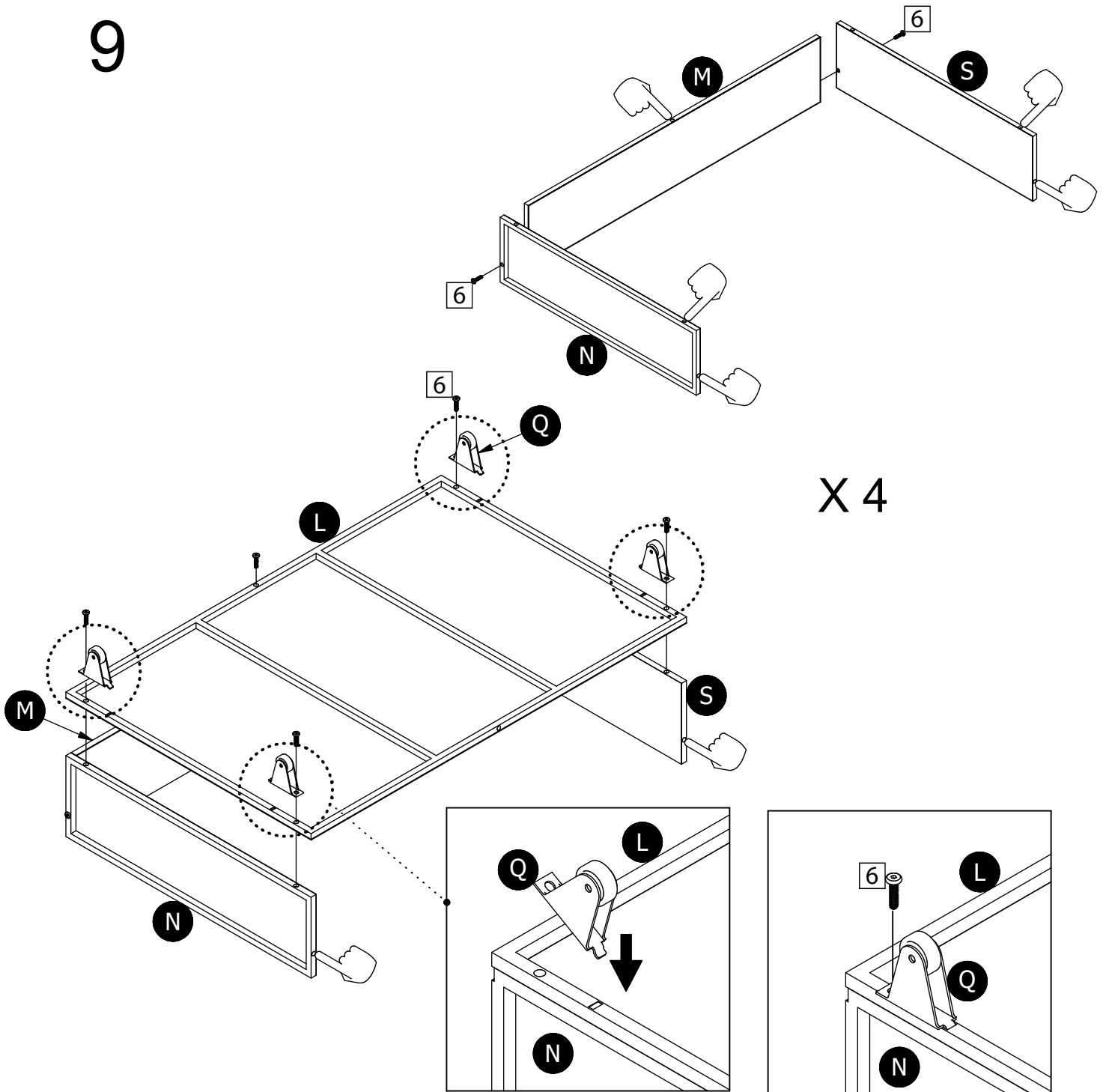
# ASSEMBLY INSTRUCTIONS

8

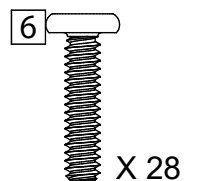
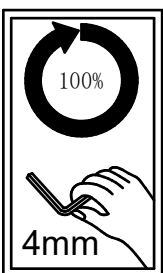
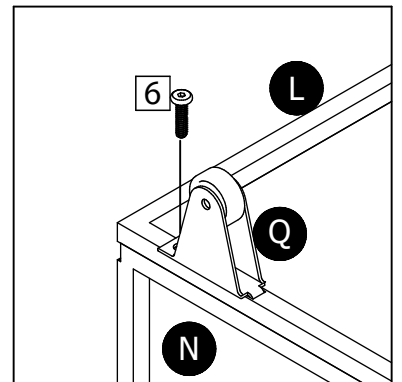
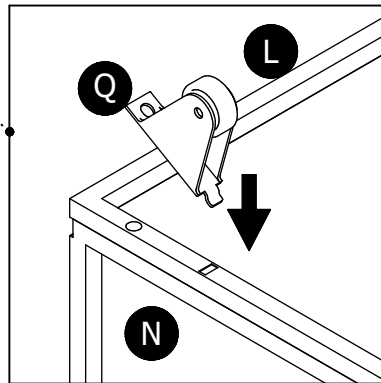


# ASSEMBLY INSTRUCTIONS

9

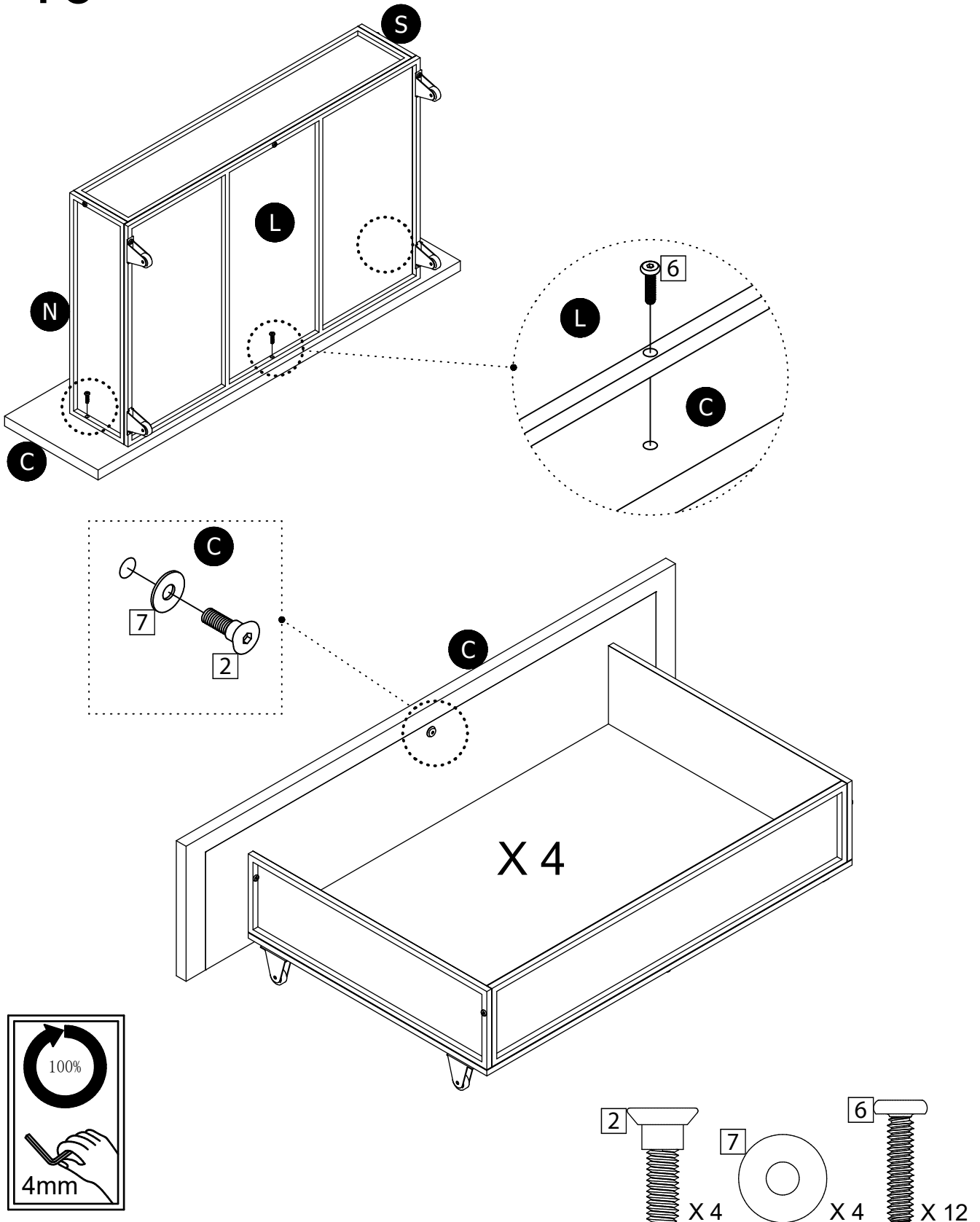


X 4



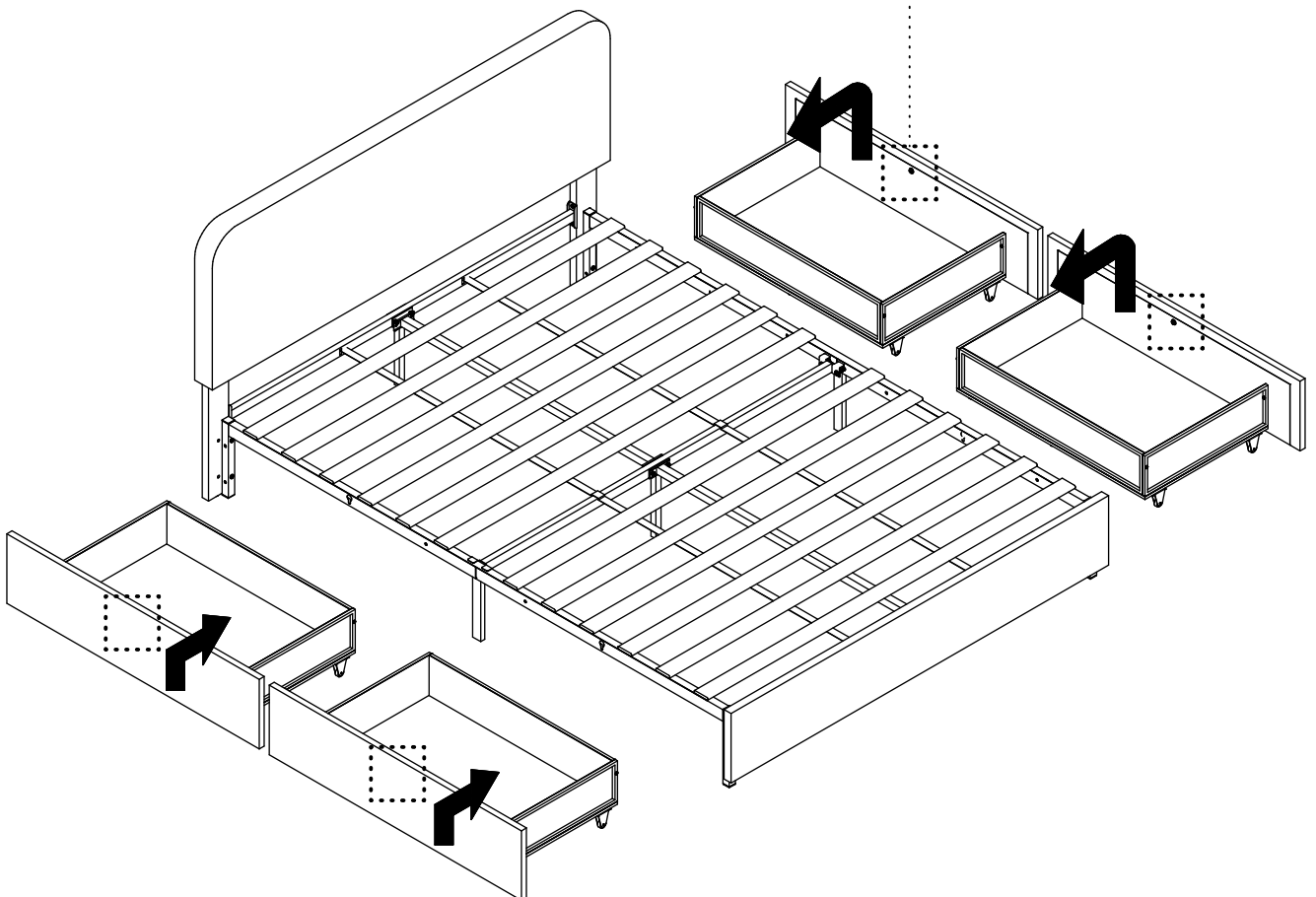
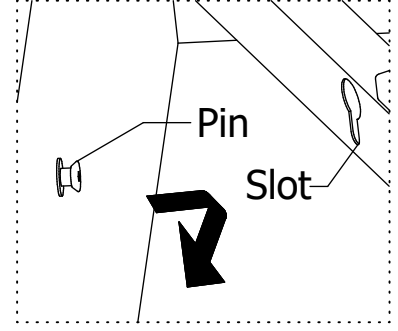
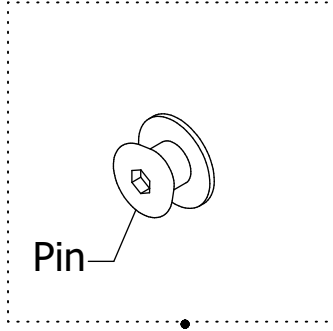
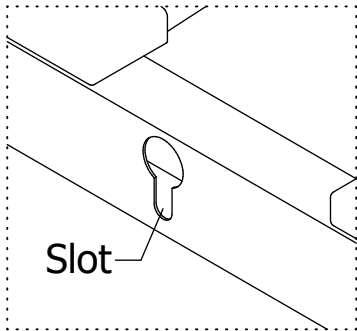
# ASSEMBLY INSTRUCTIONS

10



# ASSEMBLY INSTRUCTIONS

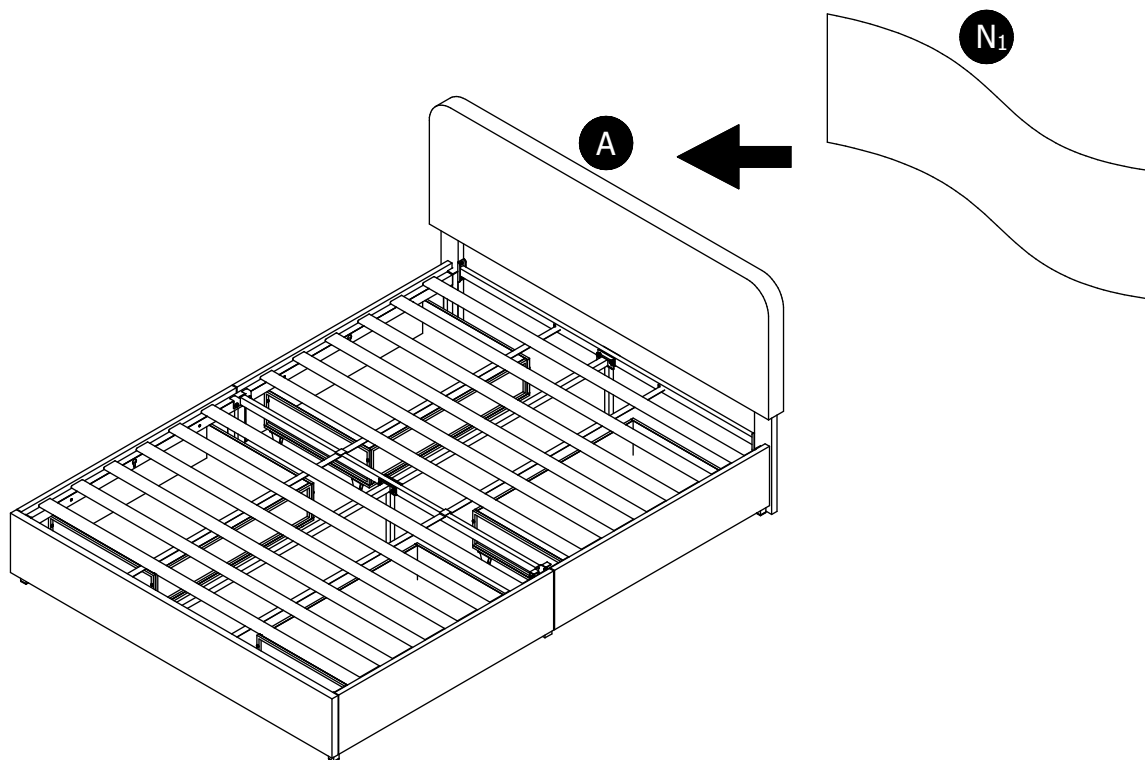
11



# ASSEMBLY INSTRUCTIONS

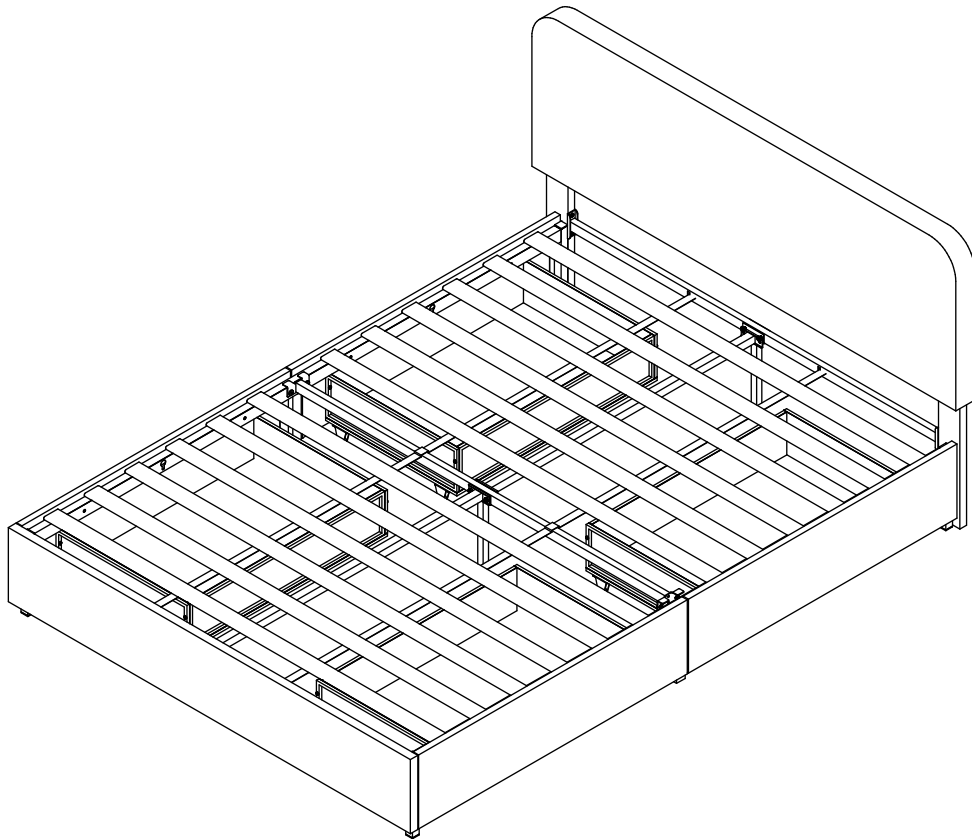
---

12



# ASSEMBLY INSTRUCTIONS

# 13



Tighten all bolts after assembly completed.

## ASSEMBLY COMPLETED



Please ensure the furniture tests on an even and flat surface. If the product wobbles or feels loose, double-check all bolts and or screws are properly tightened and secured.



### Keep this handy!

Please retain this instruction manual and any order-related information for future reference.



### Lift, don't drag!

To avoid damage to product please always LIFT the product when transporting or adjusting the placement.

This product is intended for RESIDENTIAL USE ONLY and not for commercial use.