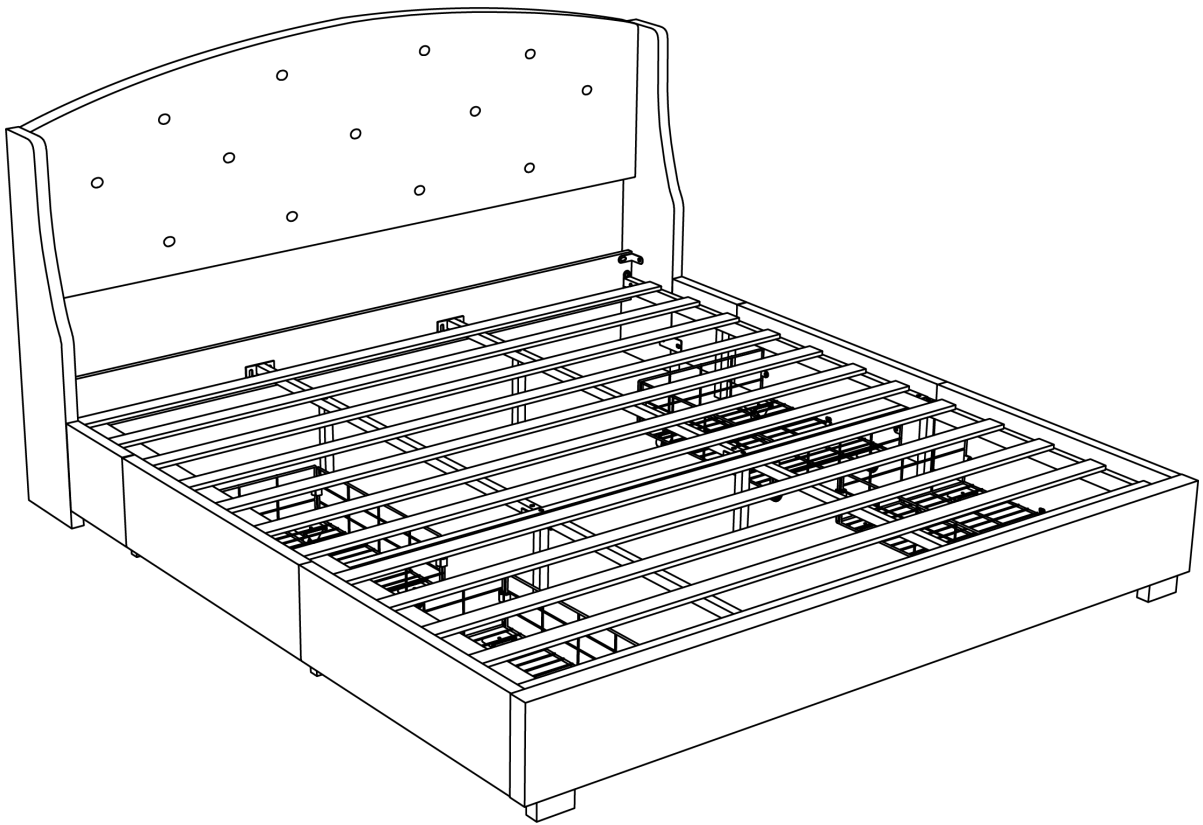


Bed with Drawer



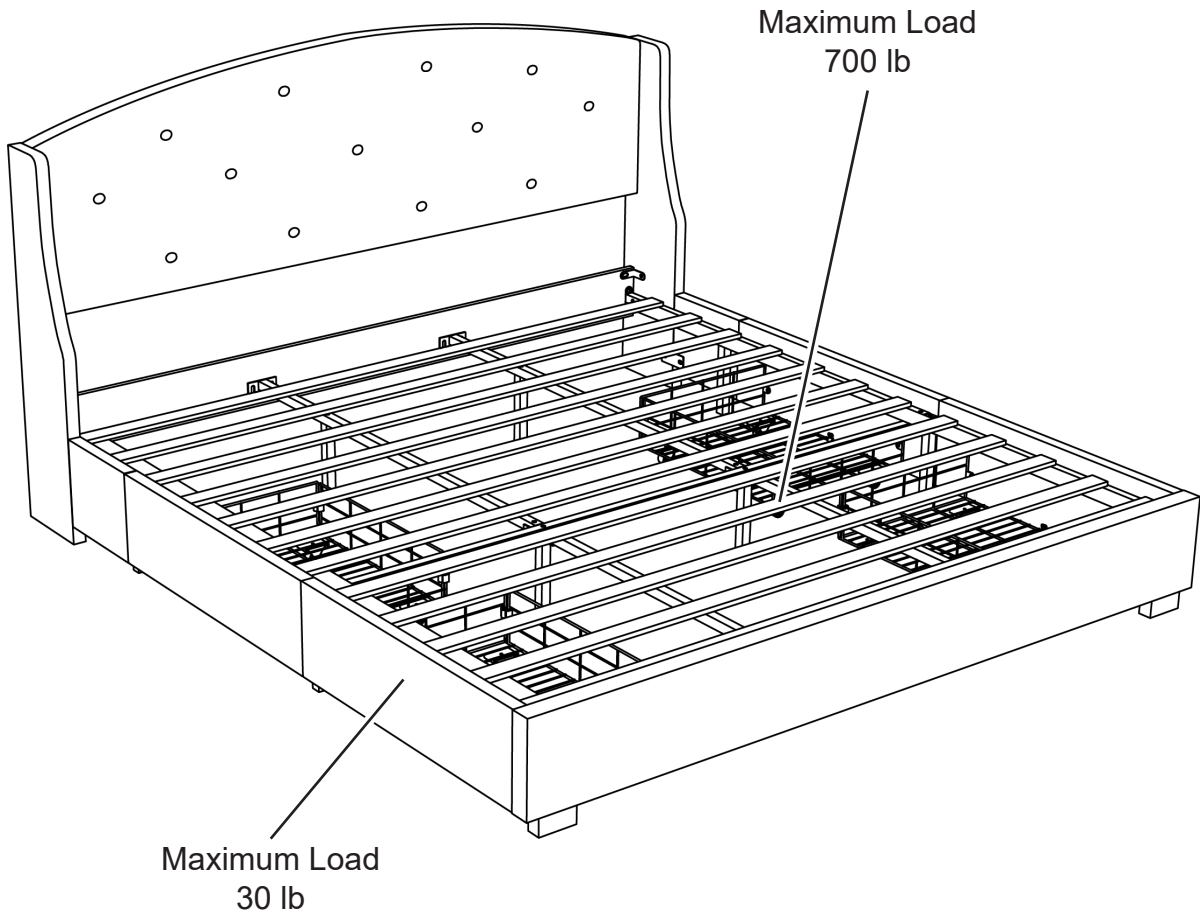


Estimated time for assembly:

50 mins



Weight limitations are as follows:





Assemble the furniture on an empty carton, carpet, or rug to prevent scratches or damage.

For safety, please keep pets and children away from the assembly area.

Ensure the product is fully assembled before use. If you are missing any hardware or products, do not use it until you have restored the missing parts.



This furniture requires 2 people for assembly.

Read this instruction manual prior to assembly to familiarize yourself with the various steps.

Lay out all components and hardware separately on a flat surface and make sure that no parts are missing or damaged before assembly. Do not destroy or discard any packaging until you are certain that you have all the necessary parts for assembly.

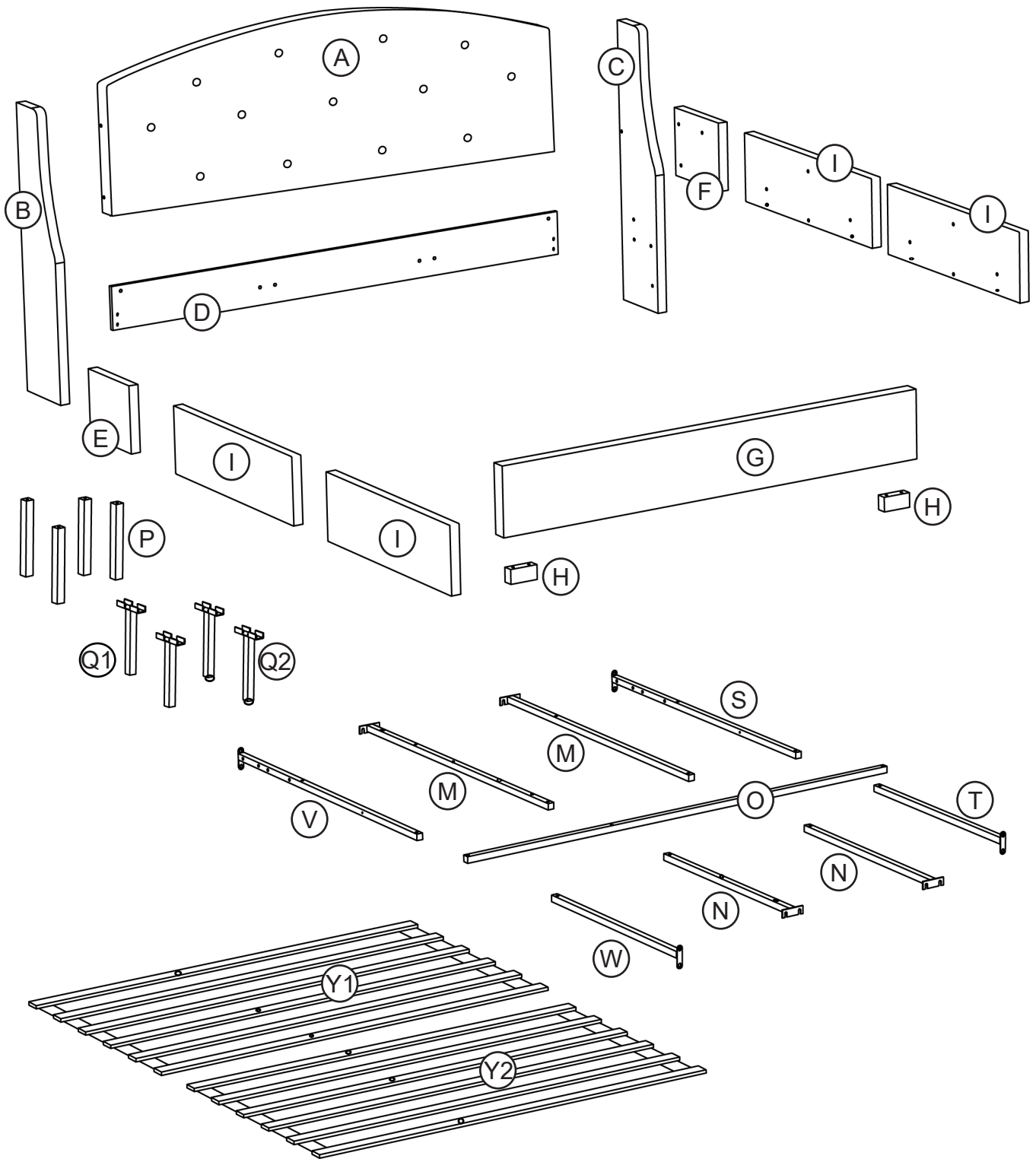
Hand tight all hardware and careful not to over tighten to avoid damaging the product.

CAUTION

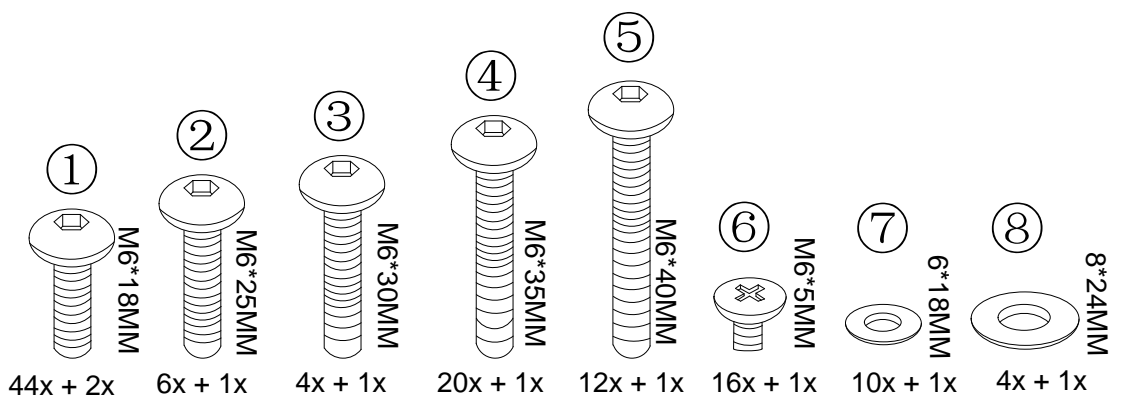
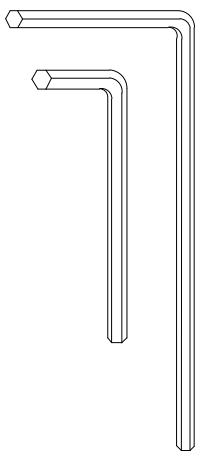
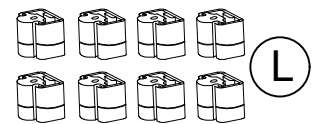
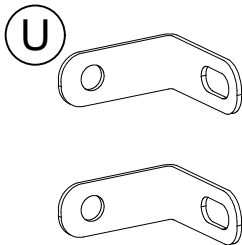
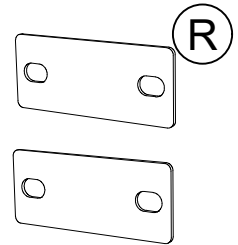
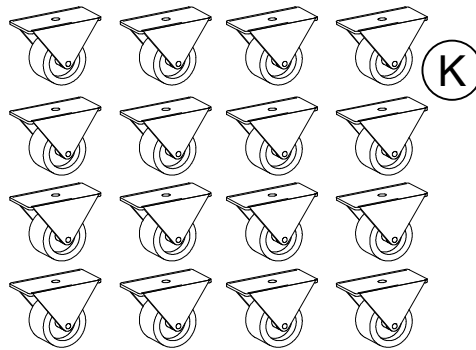
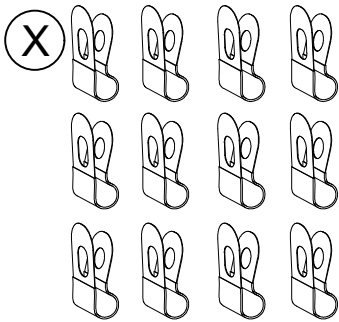
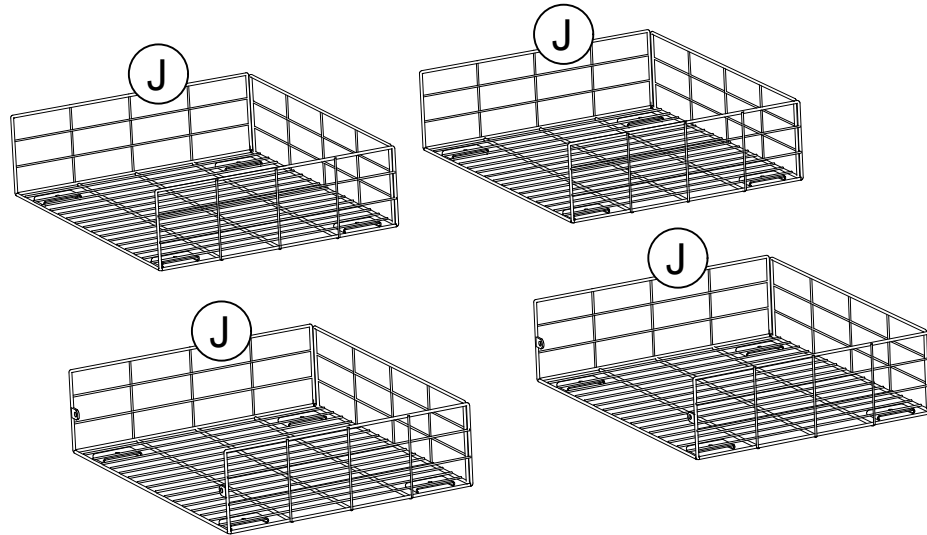
There are small components used in the construction of this product. Loose items should be kept away from pets and children to avoid a choking hazard.

Keep all plastic bags and packaging film away from pets and children to avoid suffocation.

PACKAGE CONTENTS



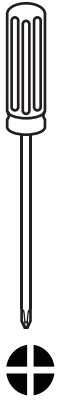
PACKAGE CONTENTS



PACKAGE CONTENTS

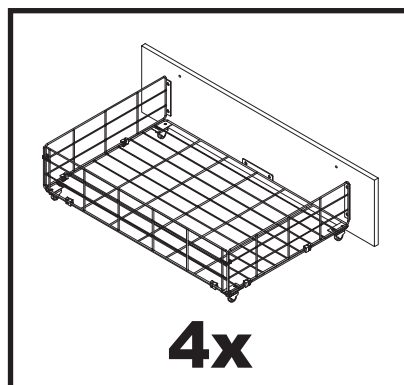
| CODE | DESCRIPTION | QTY |
|------|-------------------------|-----|
| A | Headboard | 1 |
| B | Right Headboard Leg | 1 |
| C | Left Headboard Leg | 1 |
| D | Bottom Headboard | 1 |
| E | Right Decoration Panel | 1 |
| F | Left Decoration Panel | 1 |
| G | Footboard | 1 |
| H | Foot | 2 |
| I | Drawer Front Panel | 4 |
| J | Drawer Basket | 4 |
| K | Fixed Caster Wheel | 16 |
| L | Drawer Corner Connector | 8 |
| M | Long Support Beam | 2 |
| N | Short Support Beam | 2 |
| O | Support Rail | 1 |
| P | Support Leg | 3 |
| Q1 | Bracket Support Leg | 2 |
| Q2 | Bracket Support Leg | 2 |
| R | Connection Plate | 2 |
| S | Left Side Rail | 1 |
| T | Left Side Rail | 1 |
| U | Corner Connector | 2 |
| V | Right Side Rail | 1 |
| W | Right Side Rail | 1 |
| X | Drawer Clip | 12 |
| Y1 | Bed Slat | 1 |
| Y2 | Bed Slat | 1 |
| Z | Protective Pad | 8 |

Required tools for assembly (Not included)

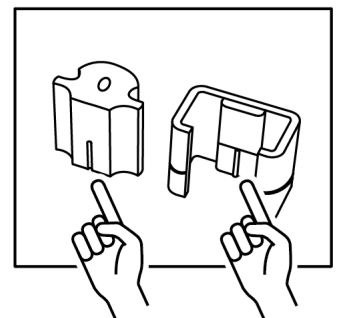
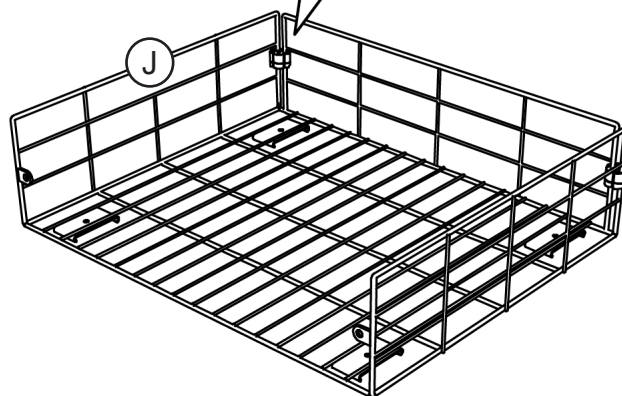
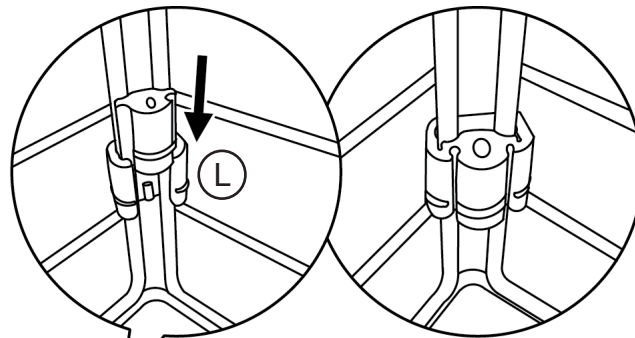
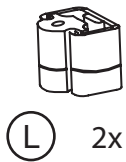


1

Unfold the drawer basket (J).



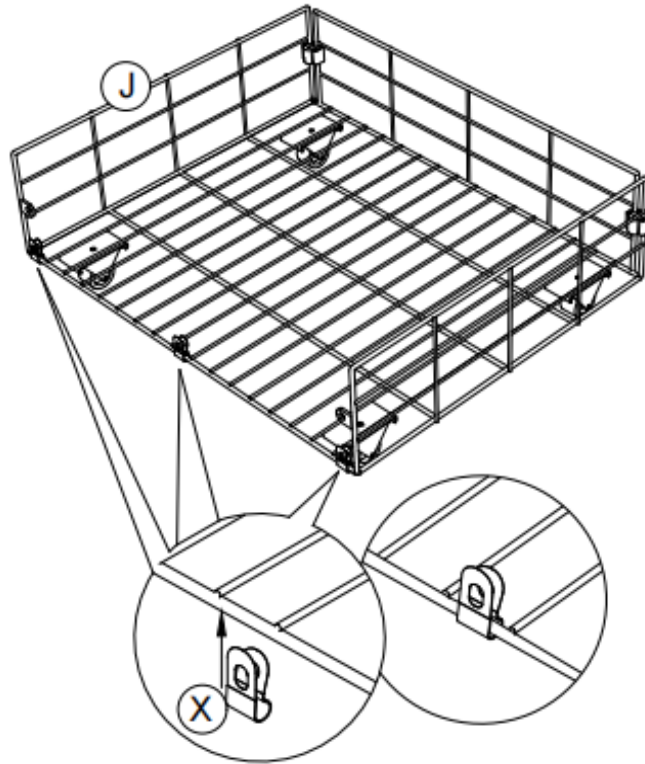
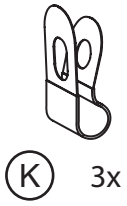
Assemble 4 drawers.



Align the tongue and groove on the connection kit.

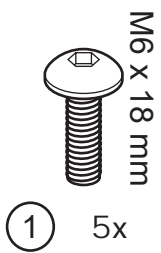
2

Attach drawer clip (K) to the drawer basket (J).

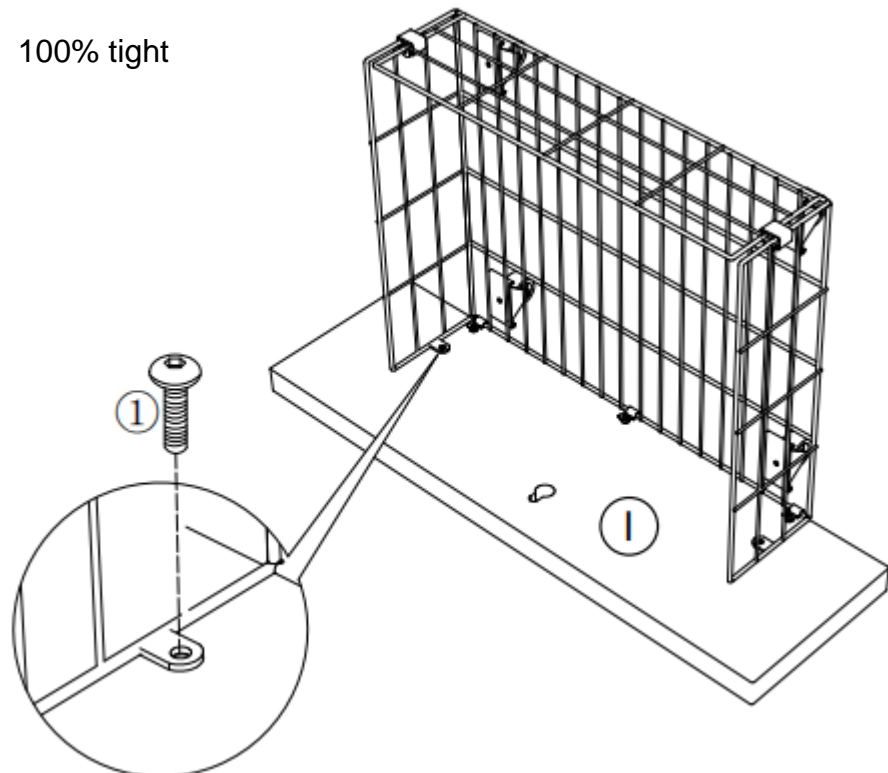


3

Assemble the drawer basket (J) to the drawer front panel (I).



100% tight

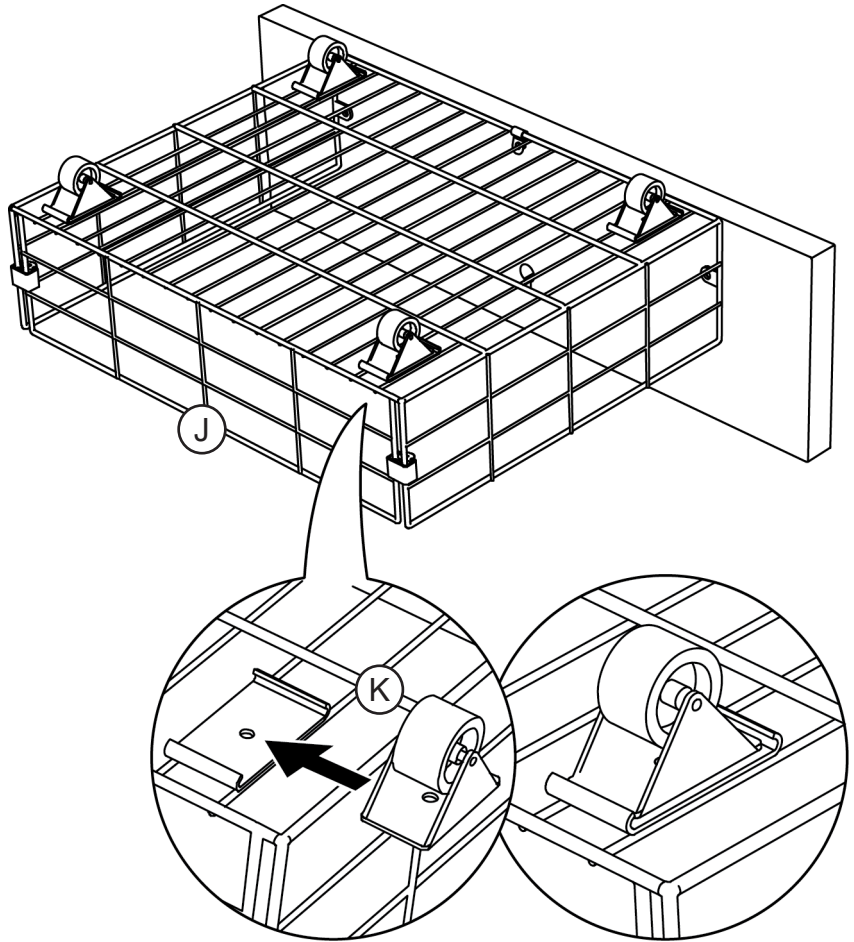


4

Slide the caster wheels (K) under the drawer basket (J).



(K) 4x



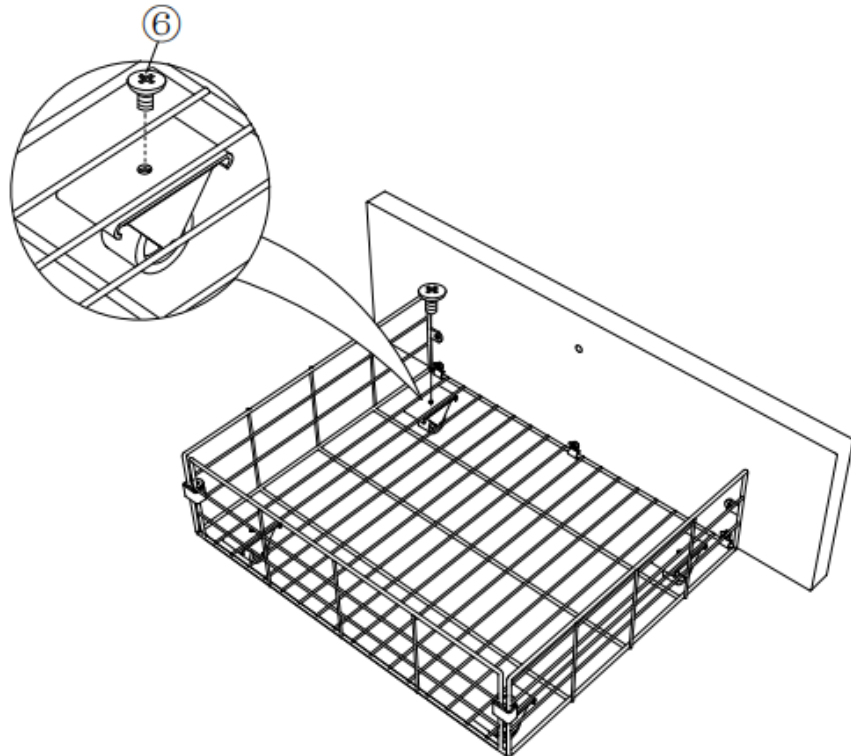
5

Secure the caster wheels on the drawer basket.

100% tight



(6) 4x



6

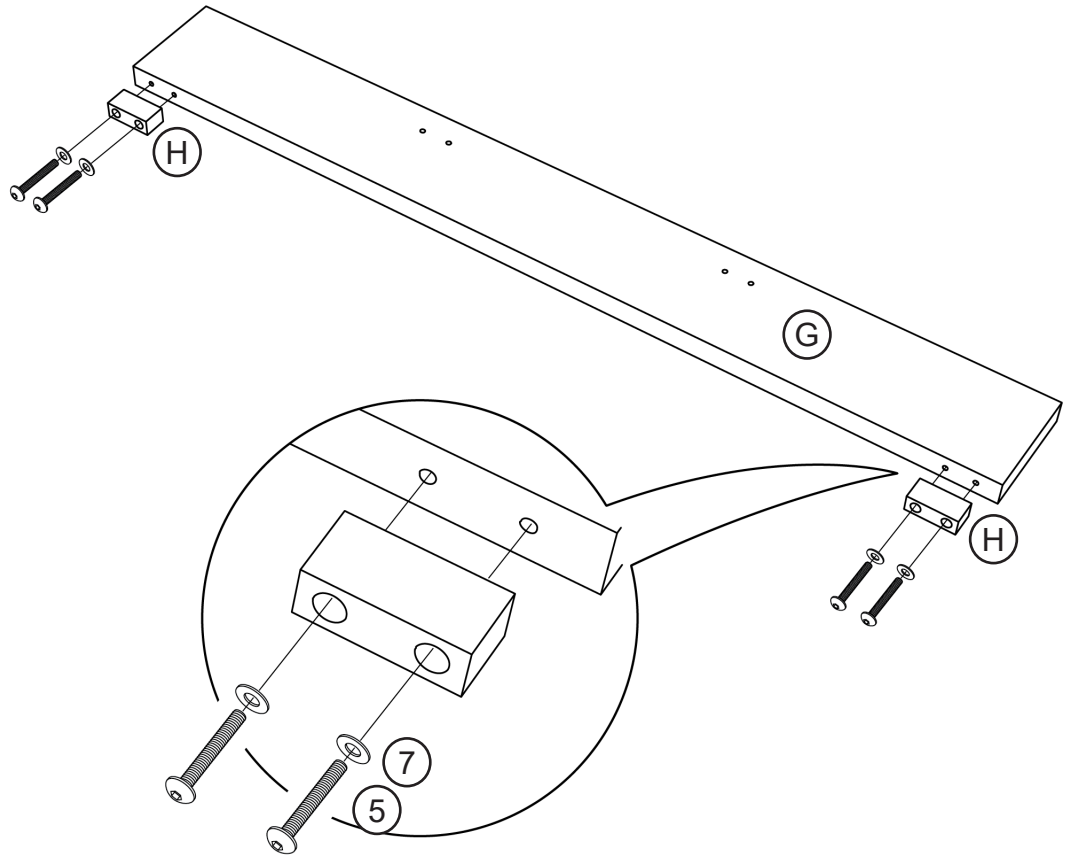
Assemble feet (H) to the footboard (G).



⑤ 4x



⑦ 4x

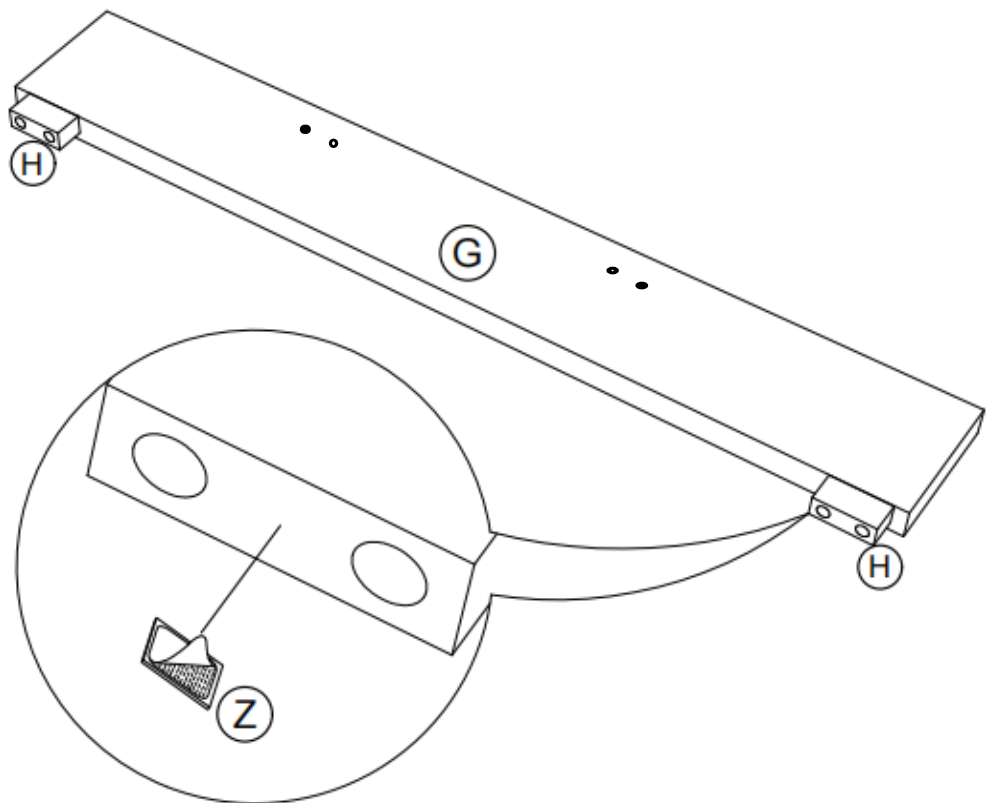


7

Attach protective pads (Z) under the feet (H).

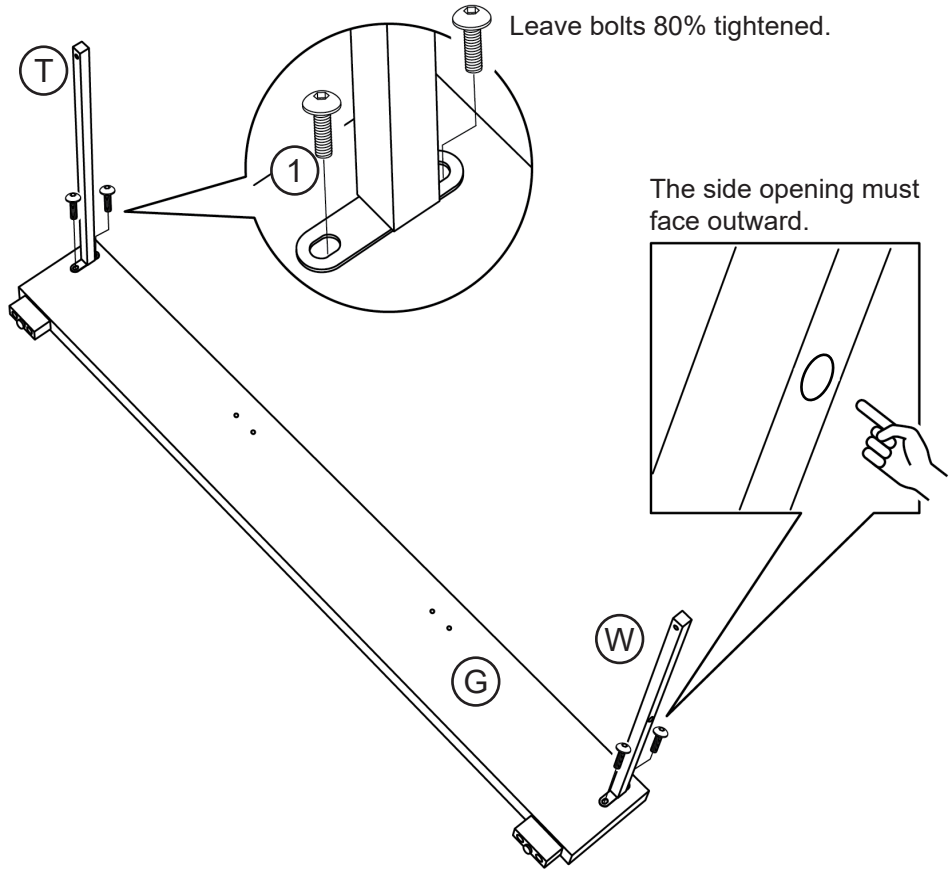
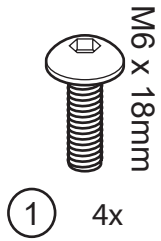


② 2x



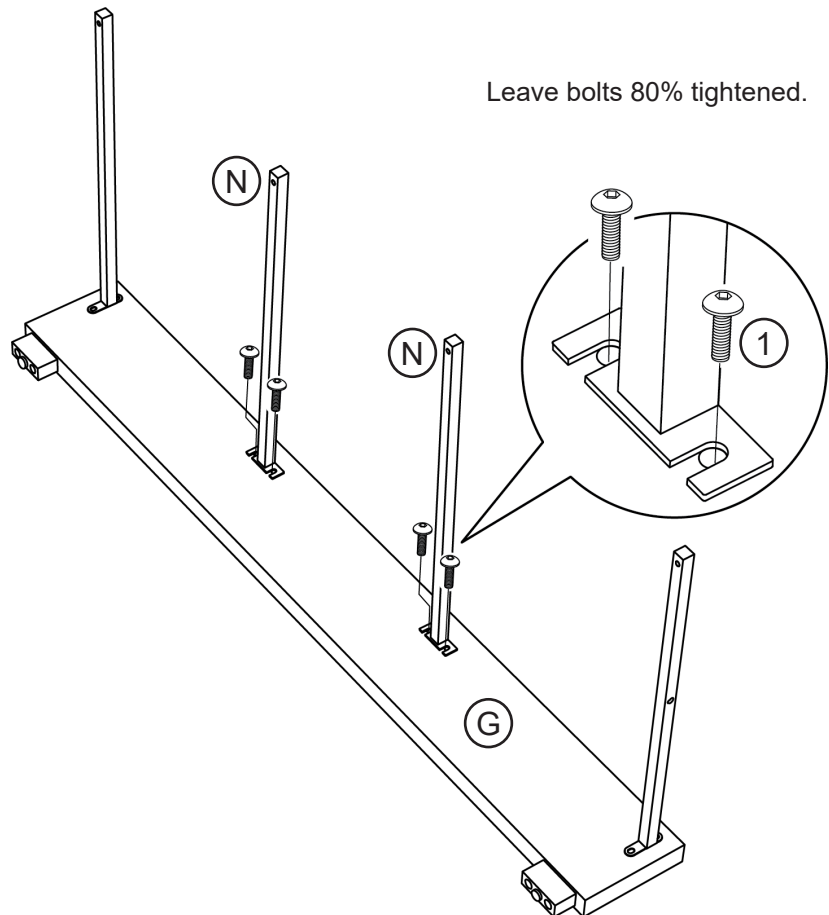
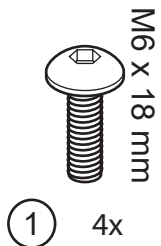
8

Attach side rails (T, W) to the footboard (G).



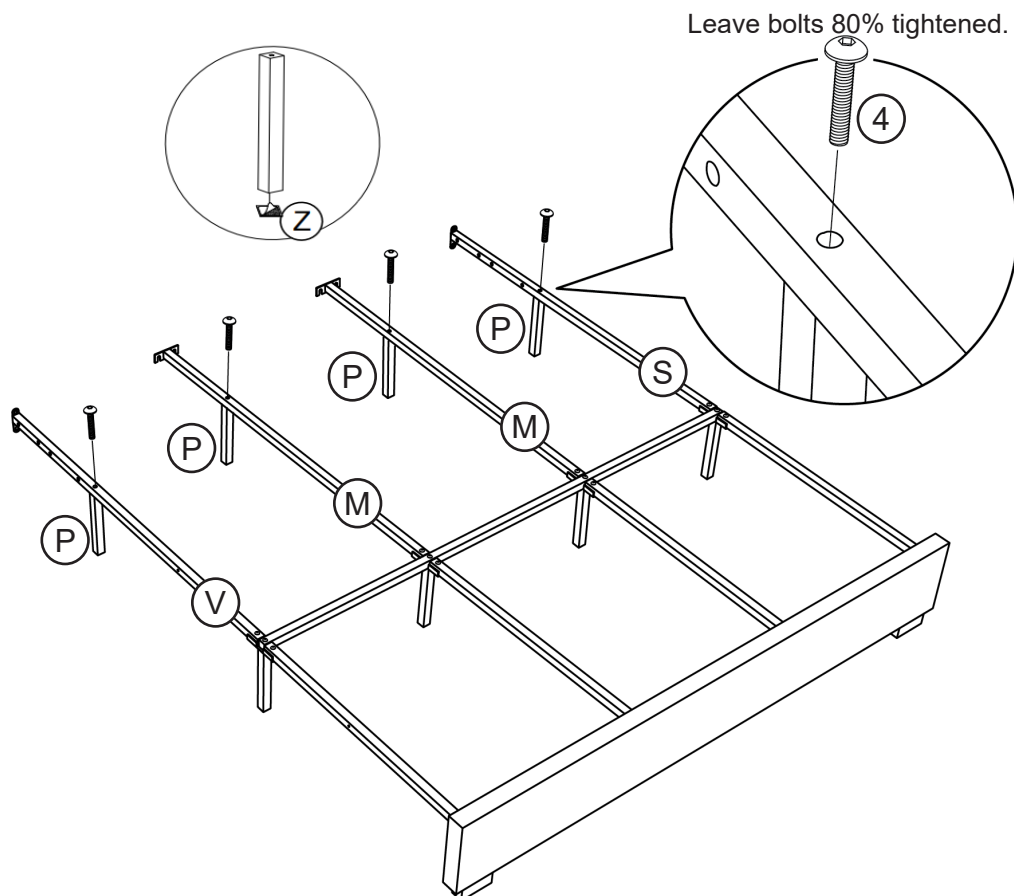
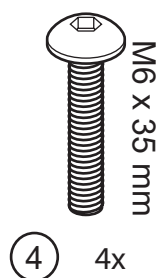
9

Attach the short support beam (N) to the footboard (G).



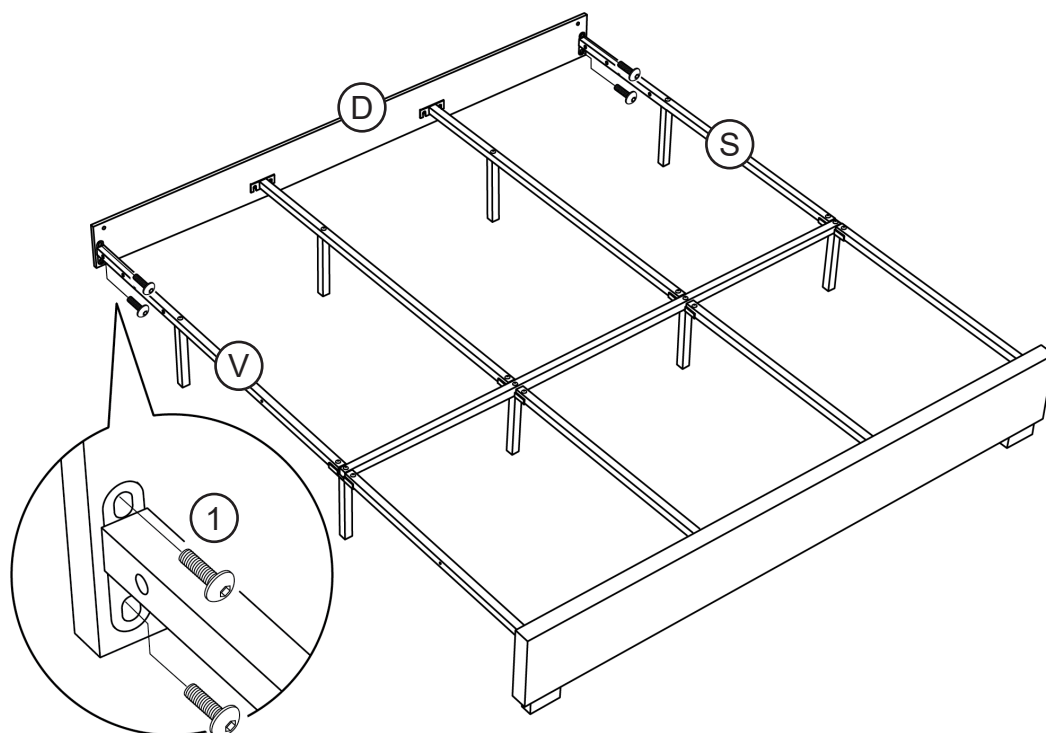
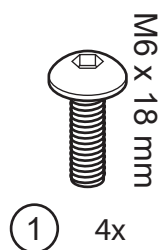
11

Attach support legs (P) under side rail (S, V) and support mean (M).



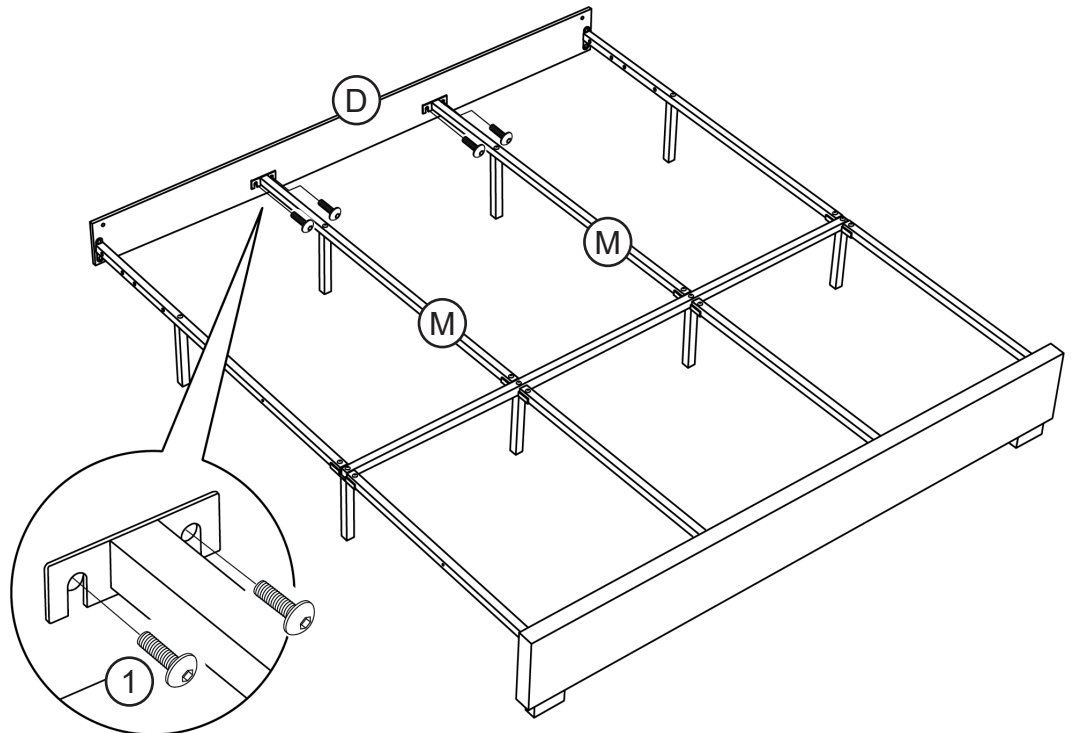
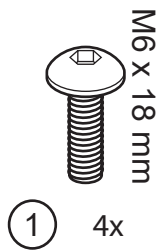
12

Assemble the bottom headboard (D) to the side rail (S, V).



13

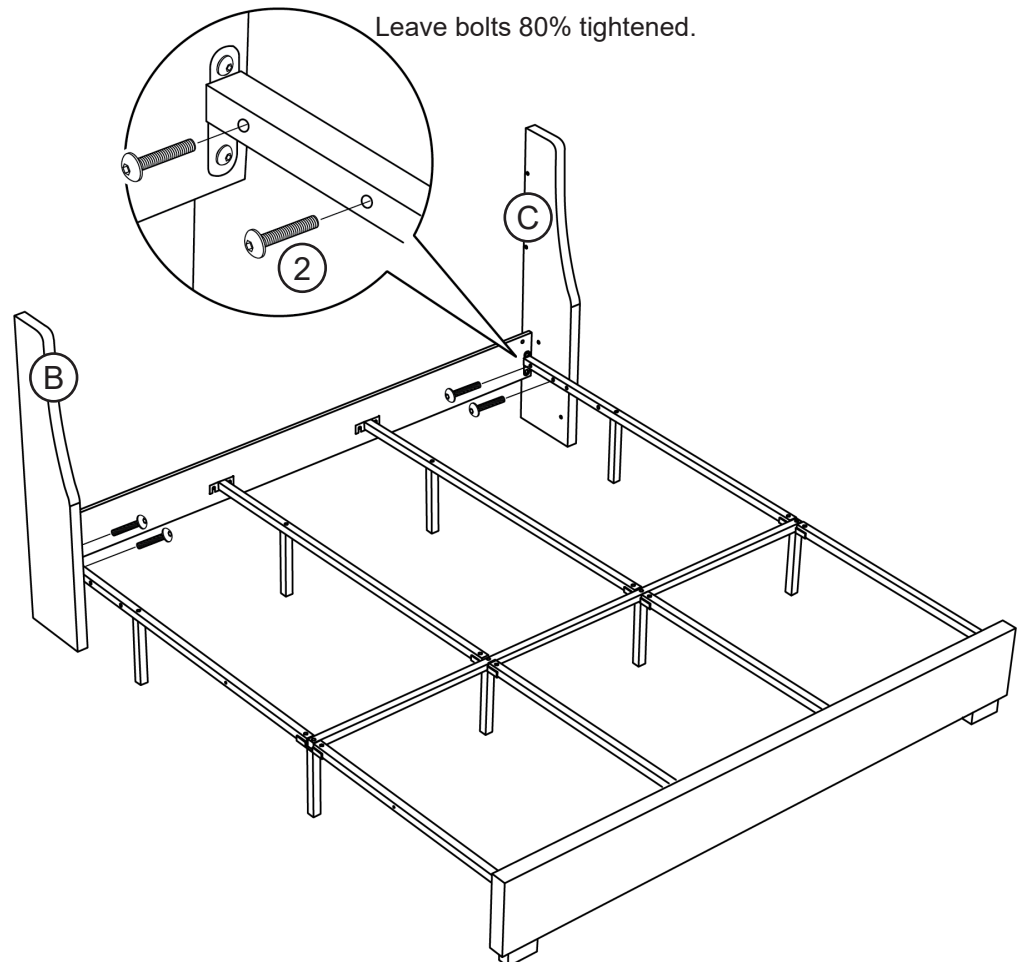
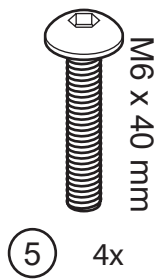
Secure support beam (M) to the bottom headboard (D).



Leave bolts 80% tightened.

14

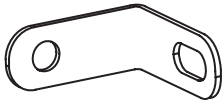
Attach headboard legs (B, C) to the bed frame.



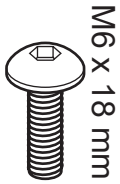
Leave bolts 80% tightened.

15

Attach corner connectors (U) between the bottom headboard and the headboard legs.

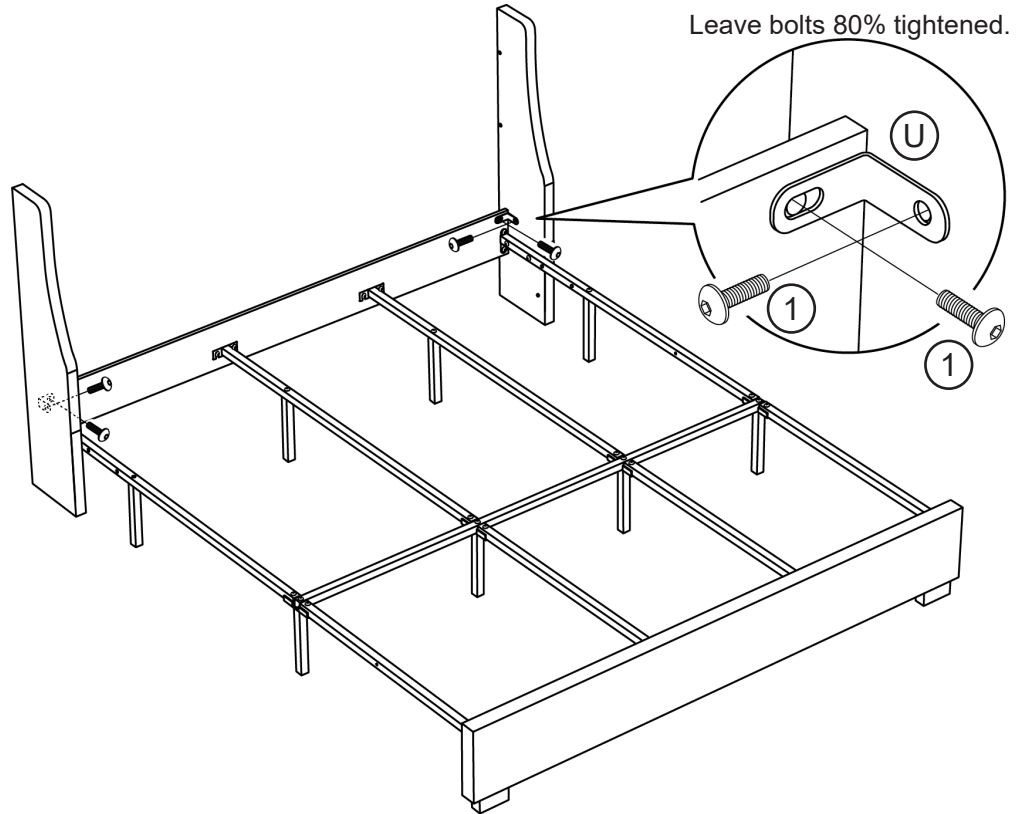


U 2x



M6 x 18 mm

1 4x



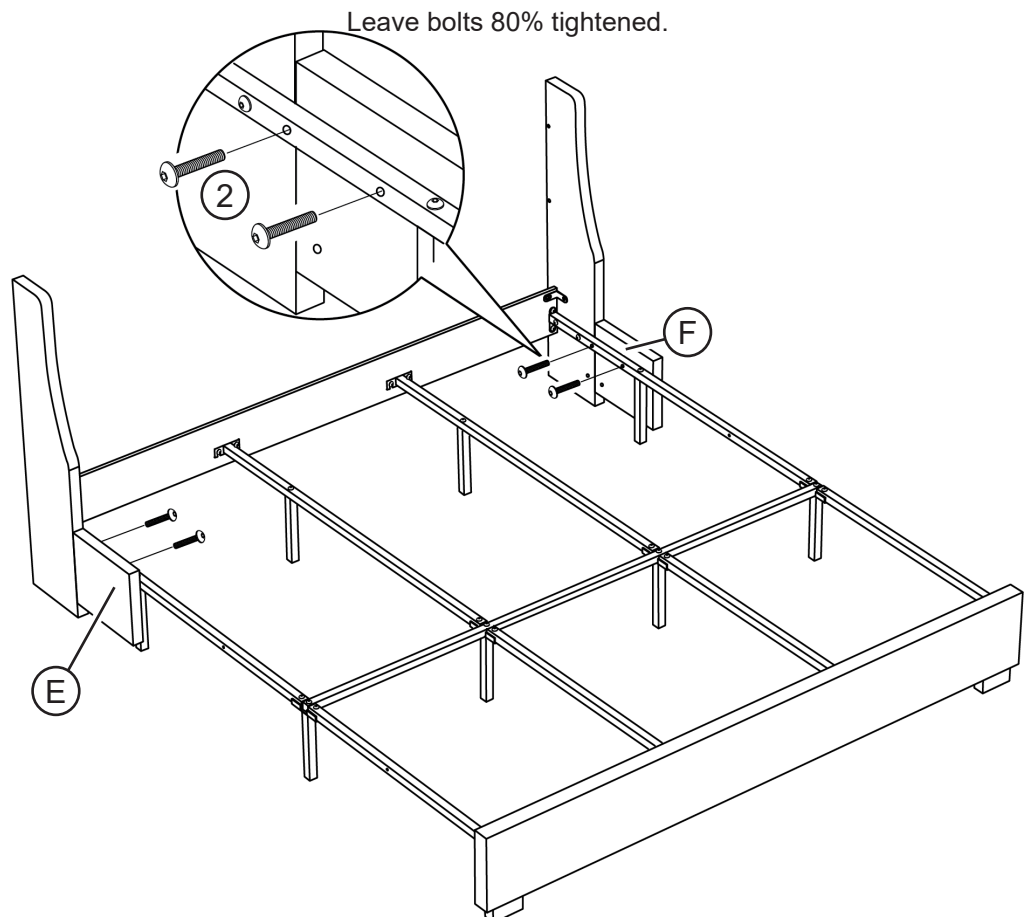
16

Attach decoration panel (E, F) to the side rails.



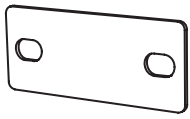
M6 x 40 mm

5 4x



17

Attach connection plate (R) to the headboard legs and the decoration panel.



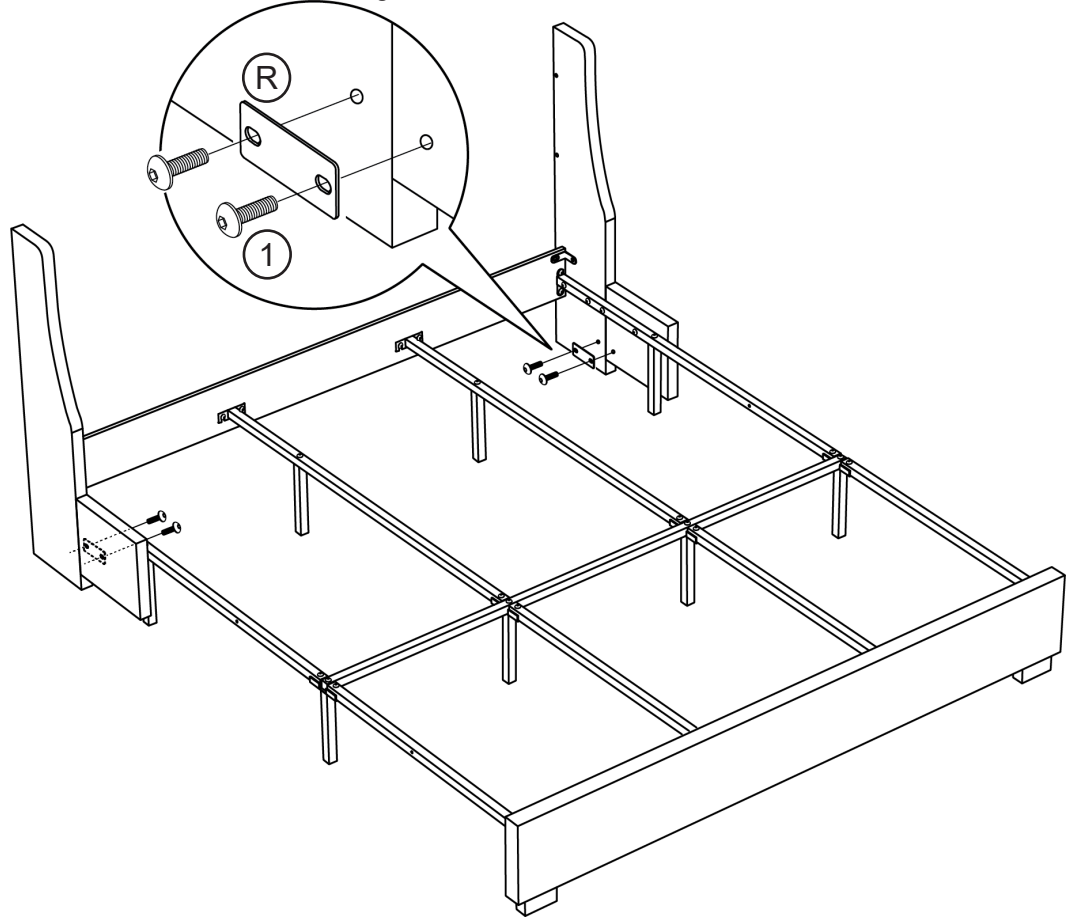
(R) 2x



M6 x 18 mm

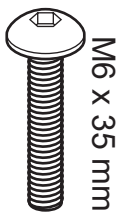
(1) 4x

Leave bolts 80% tightened.



18

Assemble the headboard (A) between the headboard legs.

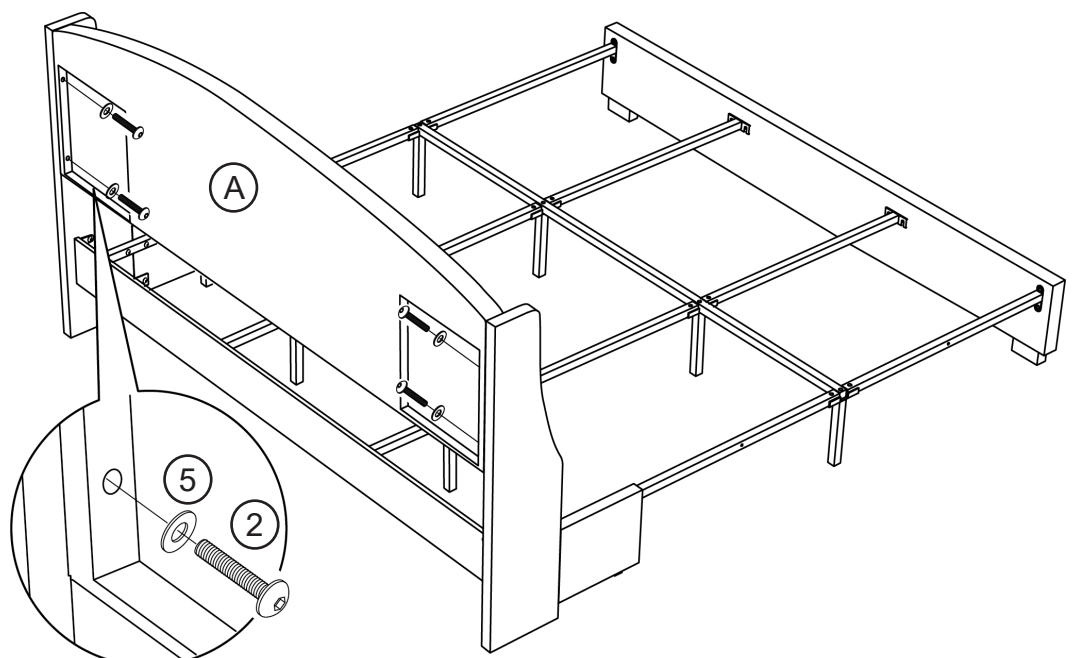


M6 x 35 mm

(4) 4x



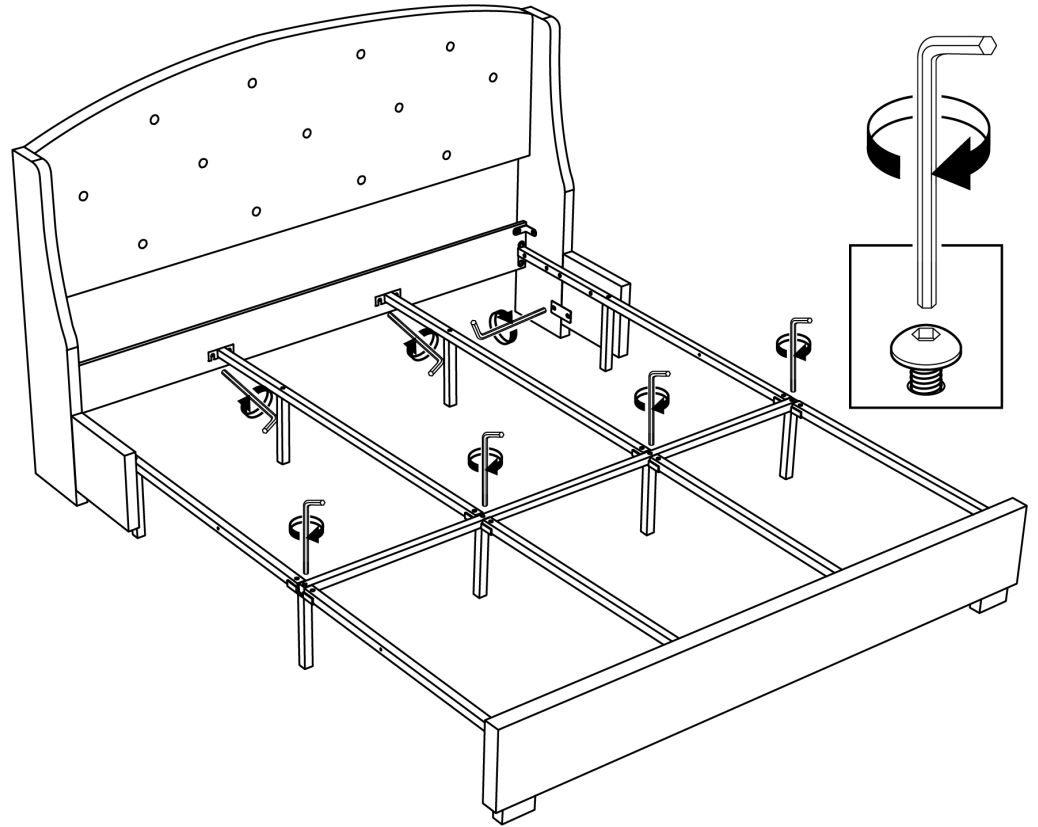
(8) 4x



Leave bolts 80% tightened.

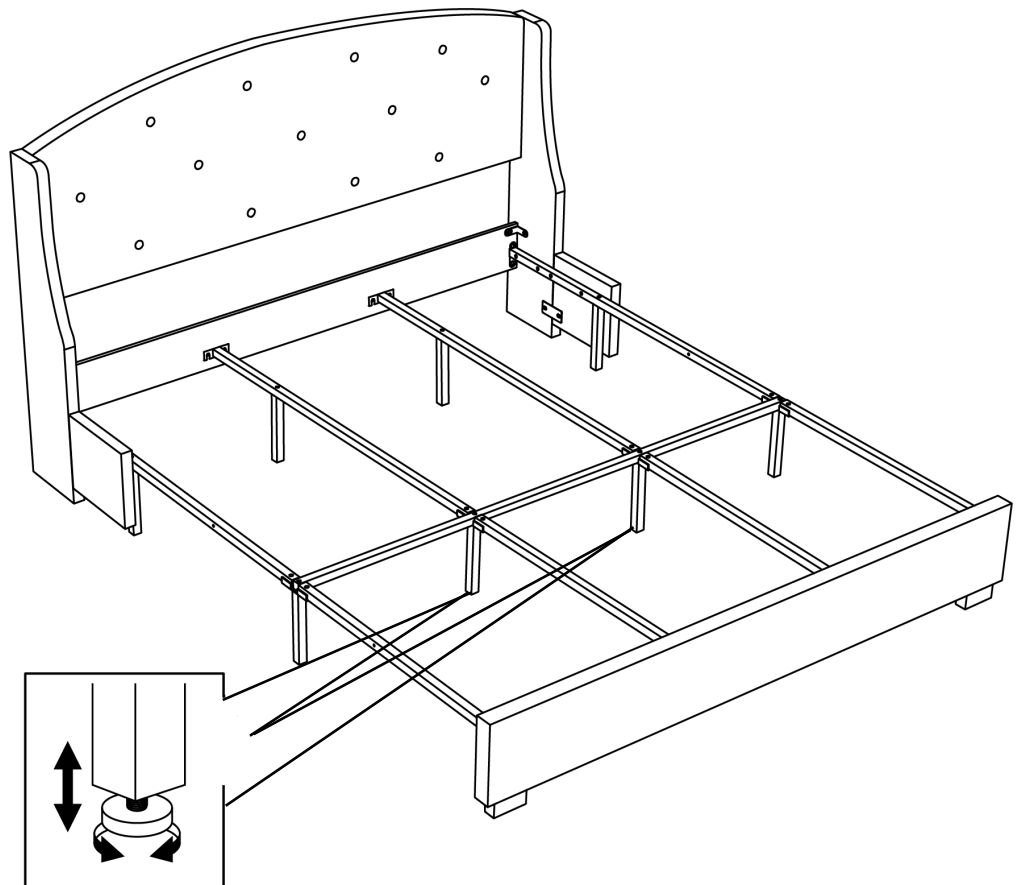
19

Fully tighten all the bolts.



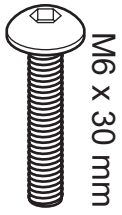
20

Level the bed frame. Adjust the foot leveler if necessary.

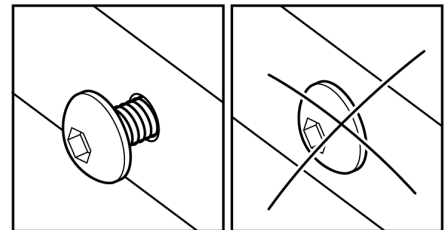
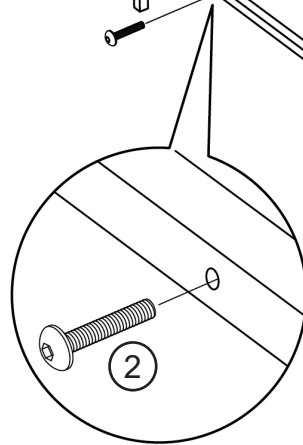
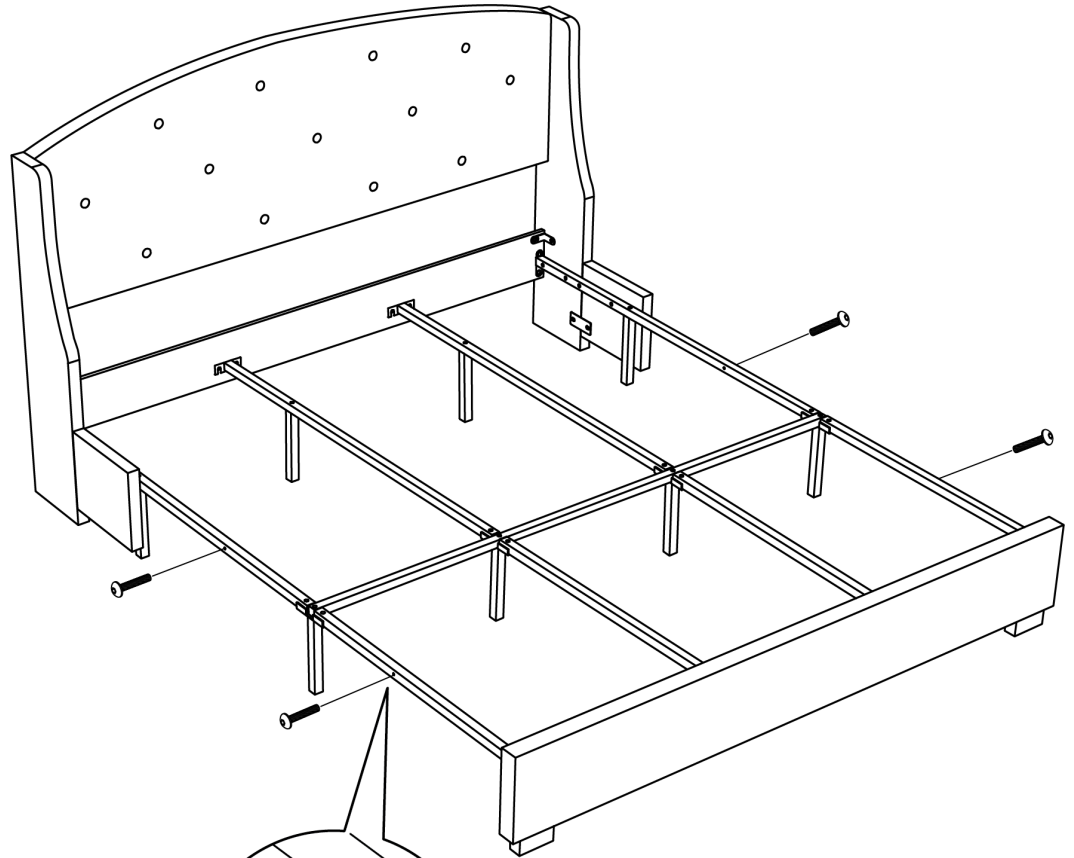


21

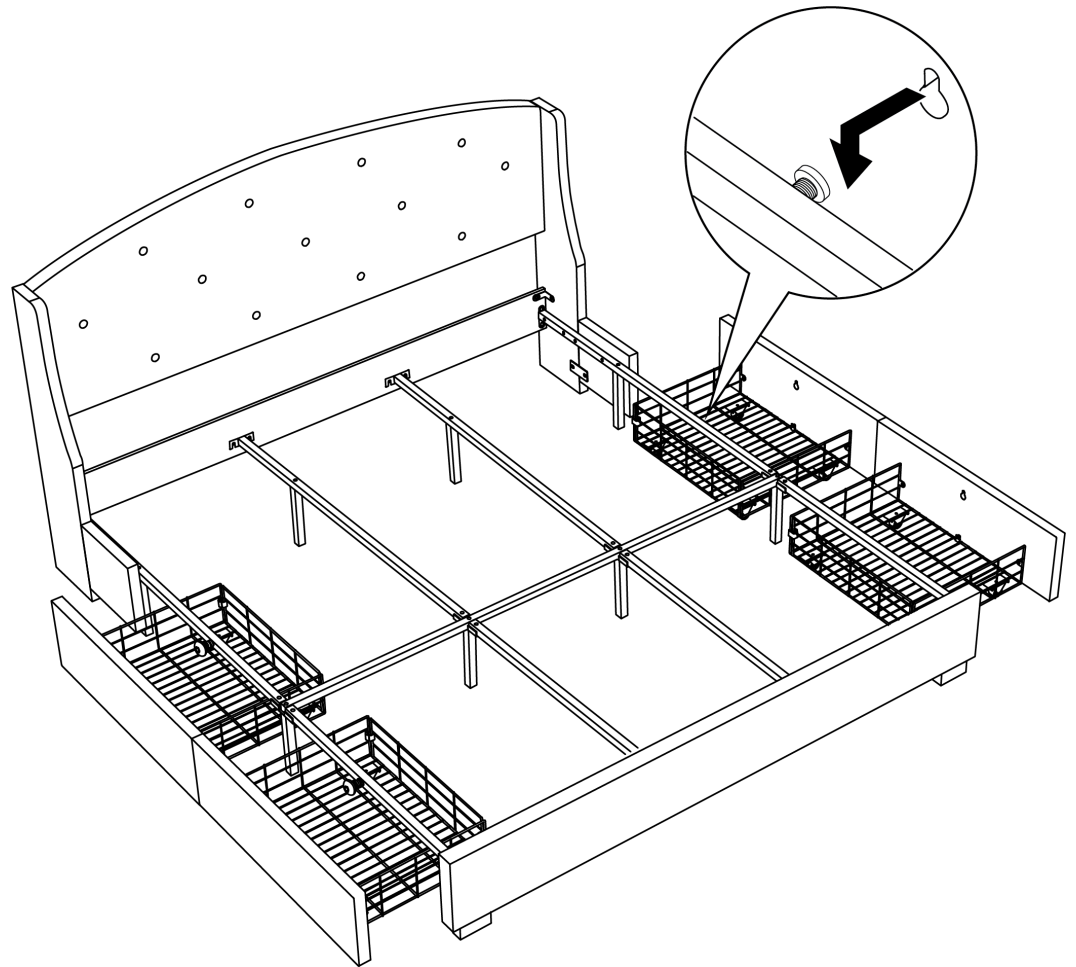
Attach drawers retention bolts on the side rail.



3 4x

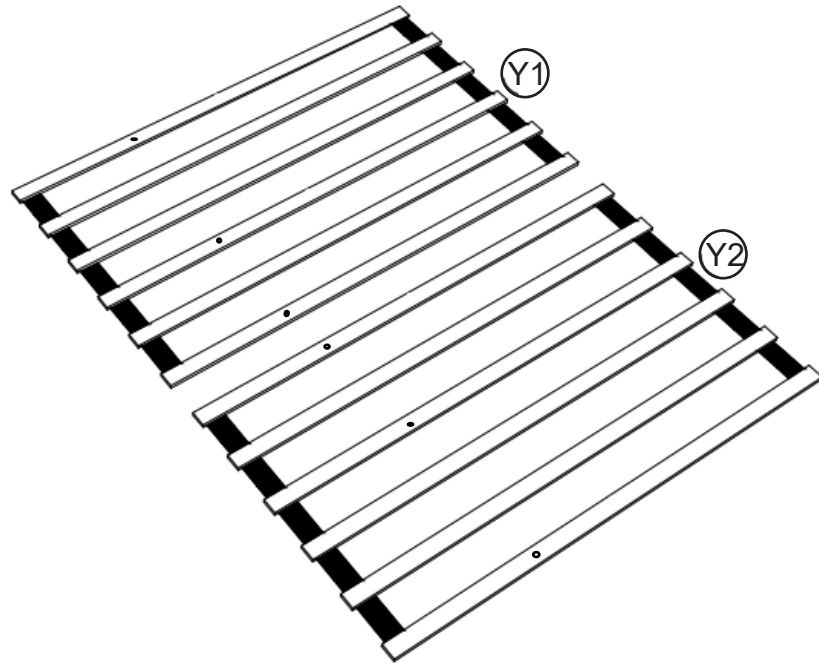


Slide the drawers into the bed frame.

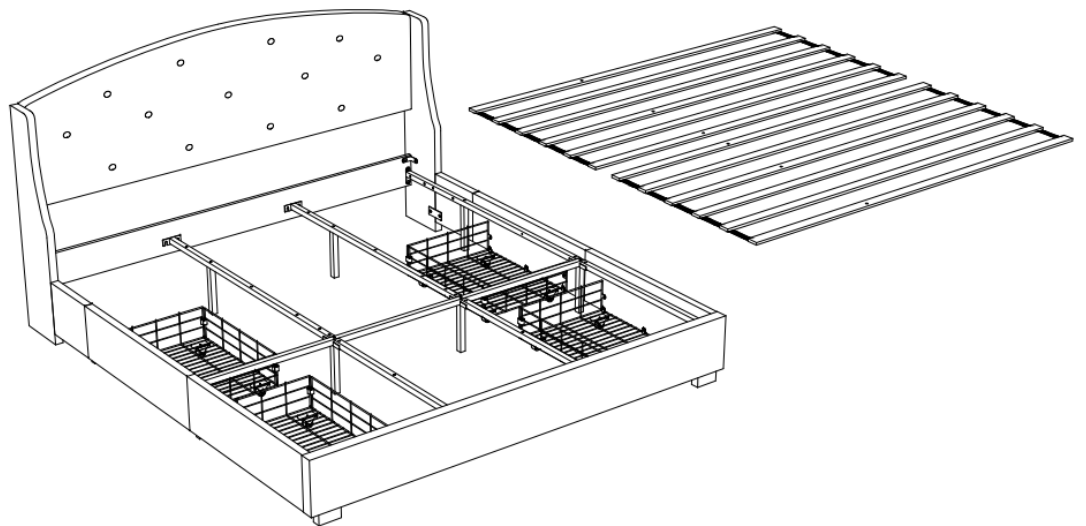


23

Evenly lay the bed slats (Y) on top of the bed frame.

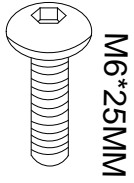


Pay attention to the order of the holes in the slats, align them with the holes, and then assemble them.

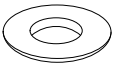


24

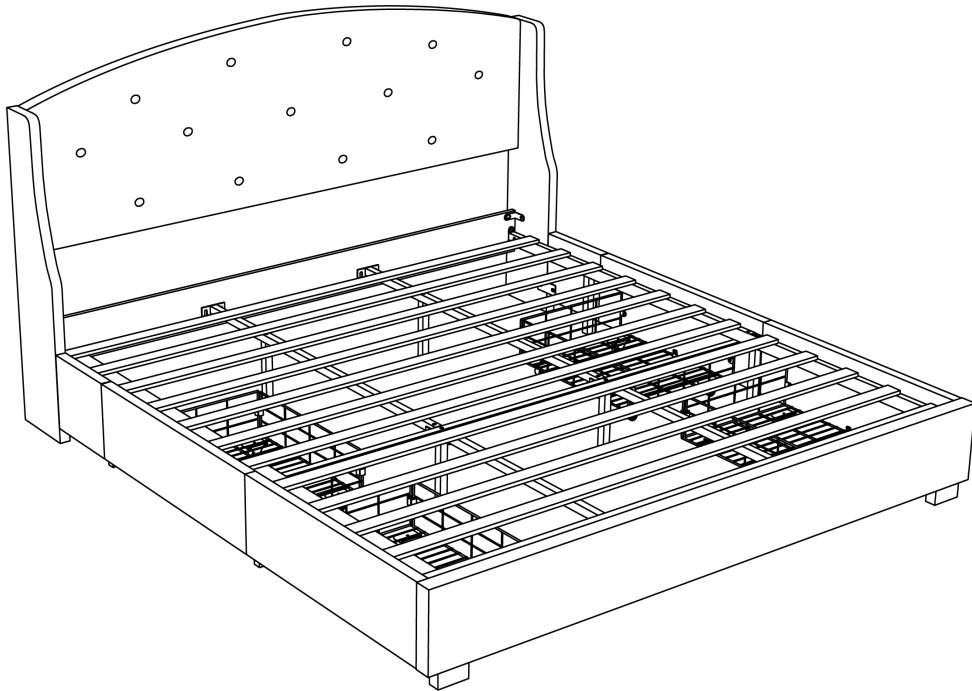
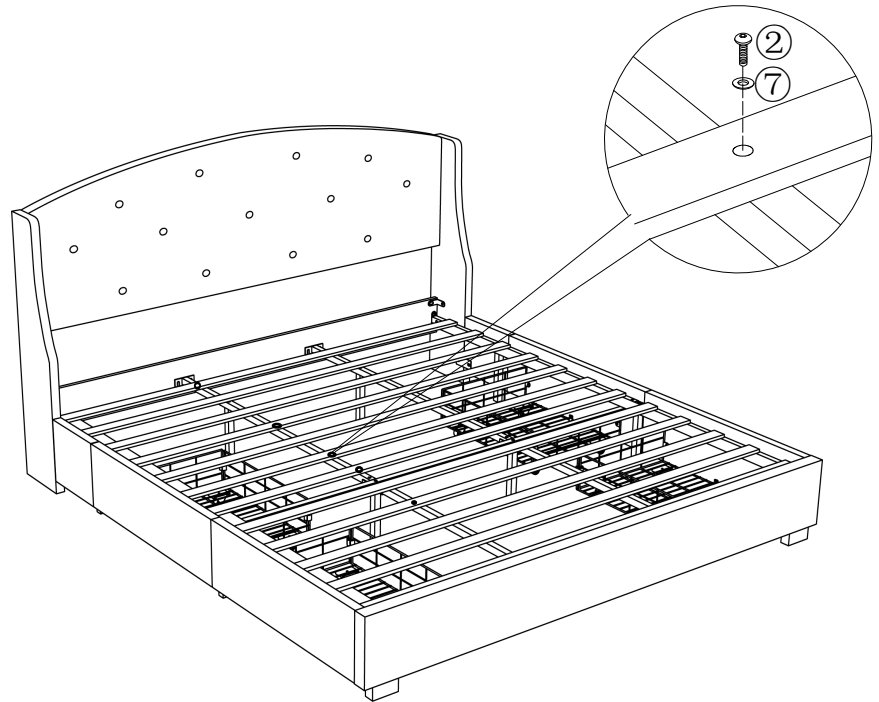
Attach connection the bed slats (Y) to the bed frame.



② 6x



⑦ 6x



YOU'RE FINISHED!

FURNITURE CARE AND MAINTENANCE

Thank you for your purchase. We want your item to last as long as possible. To ensure the product gives you years of longevity, please follow the recommendations in this care and maintenance guide.



MAINTENANCE

- Tighten all bolts and screws again within the first 2 weeks of assembly.
- Check the tightness of all bolts every 2 months and tighten them if necessary.



CLEANING

- Clean the furniture surface with a lightly dampened cloth or soft brush.
- Regularly clean the cloth surface with a vacuum cleaner.
- Dry the surface immediately after cleaning.

⚠ DO NOT use bleach or alcohol to clean the surface.

⚠ WARNING

The manufacturer and seller are not responsible for any and all liability relating to personal injury, property damage or losses, whether direct, indirect, or incidental, resulting from the incorrect attachment, improper use, inadequate maintenance, unapproved modification or neglect of this product.

WARRANTY

products come with a 1-year warranty from the date of delivery.
Register your product on our website to enjoy our limited lifetime warranty!

AFTER-SALE SERVICE



Encounter any difficulties or missing parts?



Contact us



We will send you replacement.



Hassle free!
No need to worry about repackaging and sending your item back.