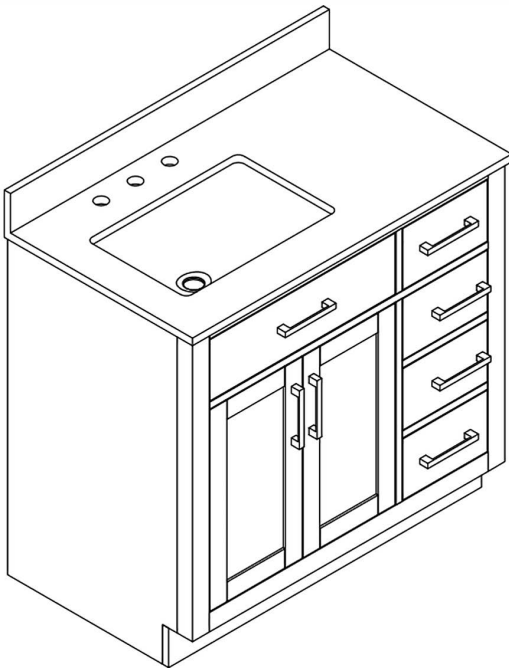

BATHROOM VANITY SET

Colors/Finishes: White, OAK

Nominal Dimension:36W*22D*35H inches



Contents

36"Vanity.....PAGE2

36"Vanity Top.....PAGE3

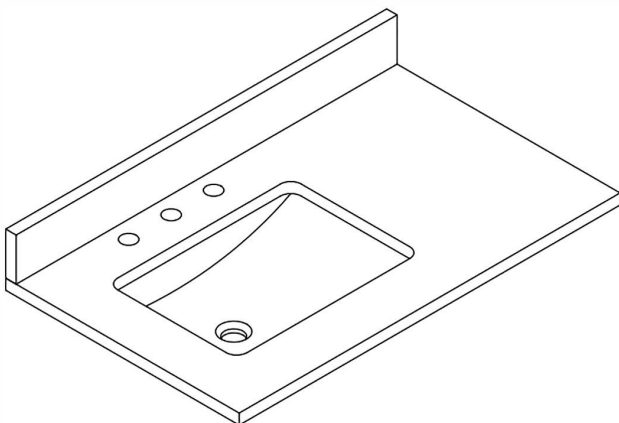
Vanity Installation.....PAGE4,5

VANITY FEATURES:

- 1.Materials: Solid popular wood frame, high quality veneer plywood.
- 2.Doors: 2 soft-close doors,Soft-close hinges system.
- 3.Drawers: 4 soft-close dovetail drawers,concealed soft-close sliders, 1 flip drawer.
- 4.Hardware: Alloy metal, Brushed Gold(available in other colors).
- 5.Installation Type: Freestanding.
- 6.Built-in Adjusters: Adjustable height levelers.
- 7.Vanity Top: White Cultured Marble
- 8.Assemble required: No
- 9.Vanity top Included: Yes
- 10.Mirror Included: Optional
- 11.Medicine Cabinet Included: Optional

VANITY TOP FEATURES:

- 1.Material: Durable and water-resistant cultured marble.
- 2.Top Color: white
- 3.Sink: 1*18"undermount rectangle sink.
- 4.Faucet Holes: Top pre-drilled for 8"widspread faucet holes.
- 5.Sink Certified: CUPC certified
- 6.Backsplash: 4"backsplash included
- 7.Faucet Included: No
- 8.Nominal Dimension(W*D*H): 36W*22D*11/16H inches

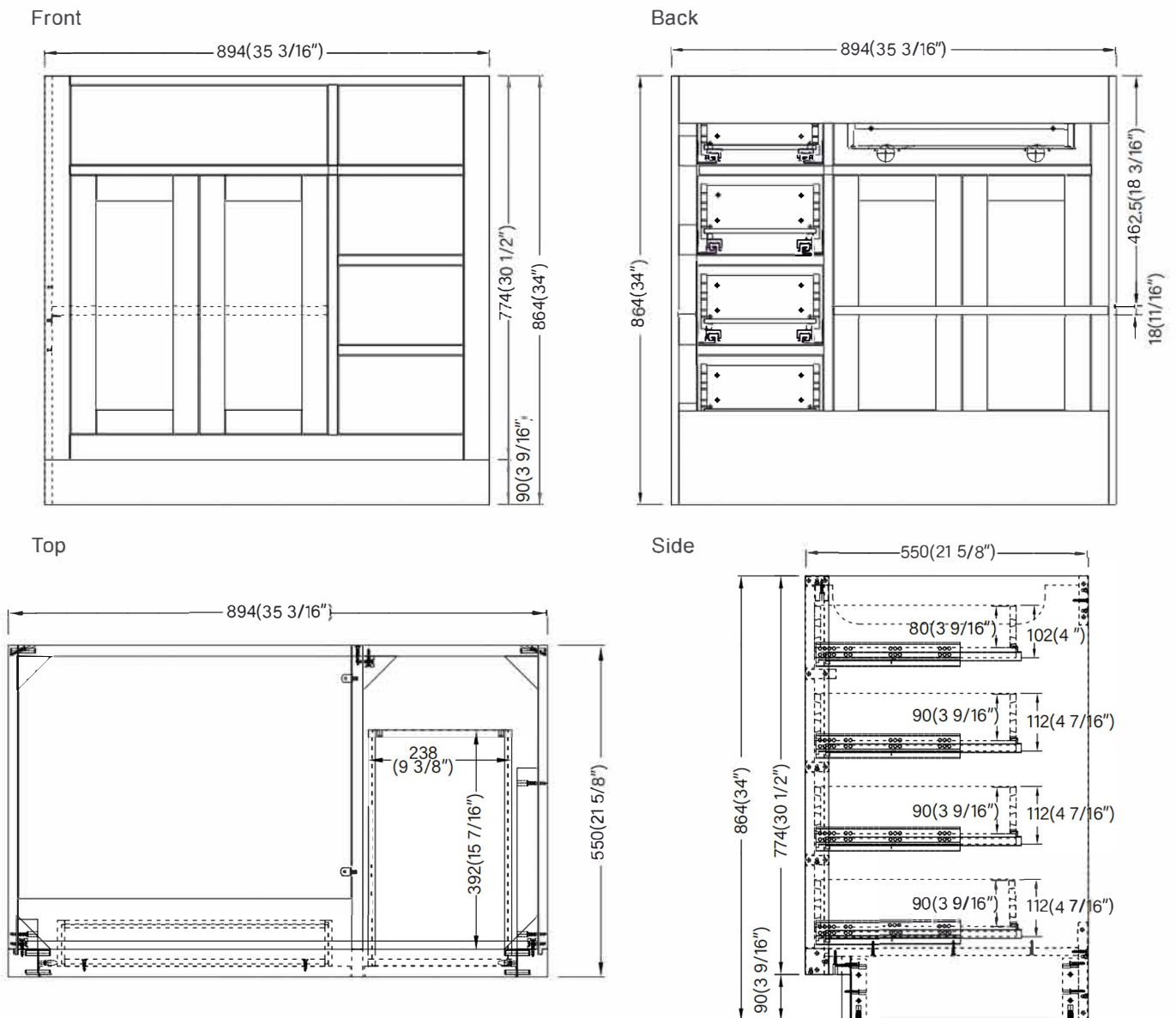


BATHROOM VANITY SET

COMPONENTS:

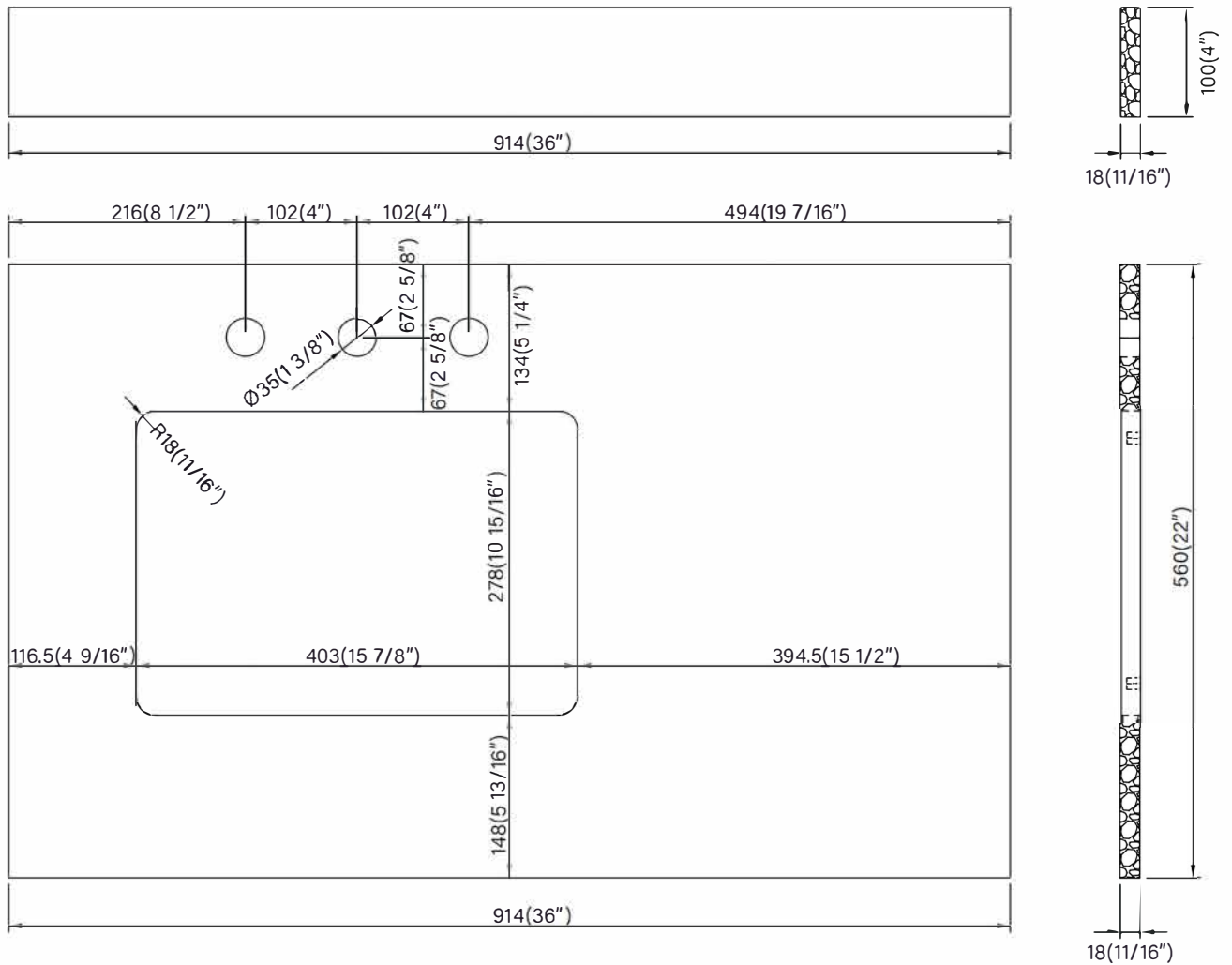
Vanity	A	B
Vanity Top	C	D
Side Spash	SIDE SPLASH-WCM	SIDE SPLASH-WCM
Handle(optional)	HANDLE-14128BLACK	HANDLE-14128BN

PRODUCT DIAGRAMS:

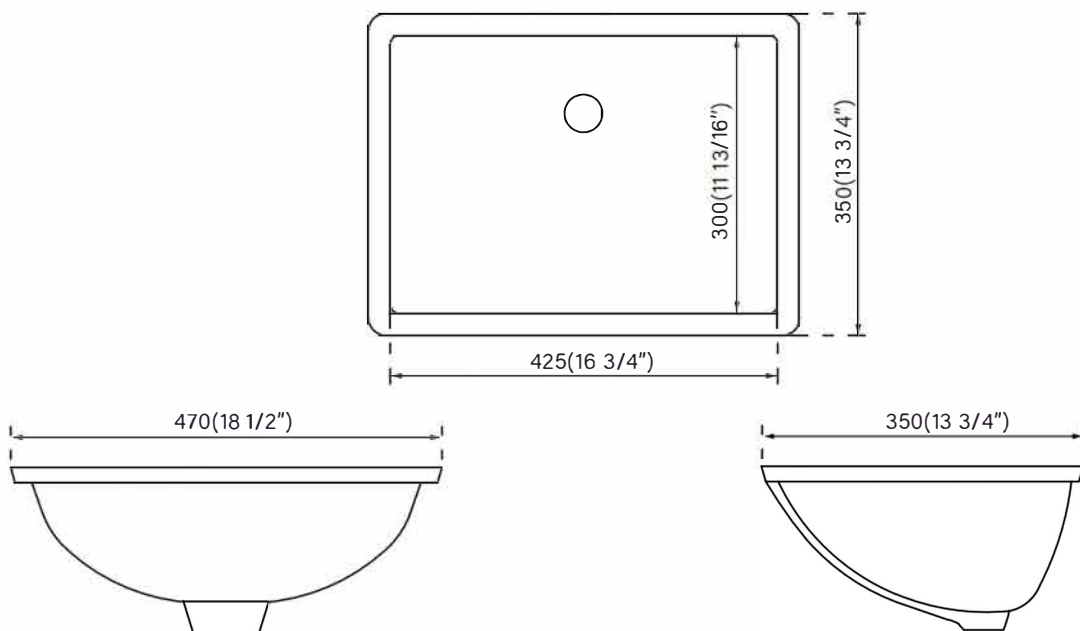


VANITY TOP

With rectangular undermount sink



Undermount Sink



Vanity Installation

SUGGESTED TOOLS AND MATERIALS:



Sealant



Measuring tape



Safety glasses



Rag

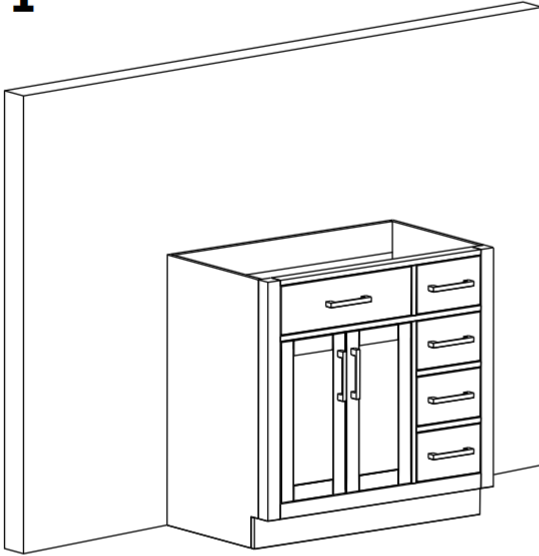


Level

INSTALLATION INSTRUCTLONS

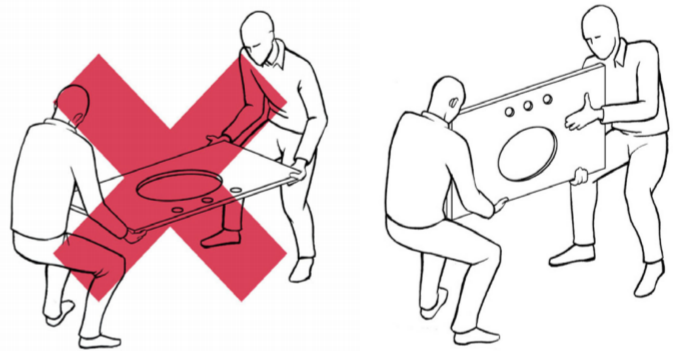
We recommend consulting a professional if you are unfamiliar with installing bathroom fixtures and plumbing. We accept no liability for any damage to the floor, plumbing, vanity cabinet, sink, counter top, or personal injury during installation.

1



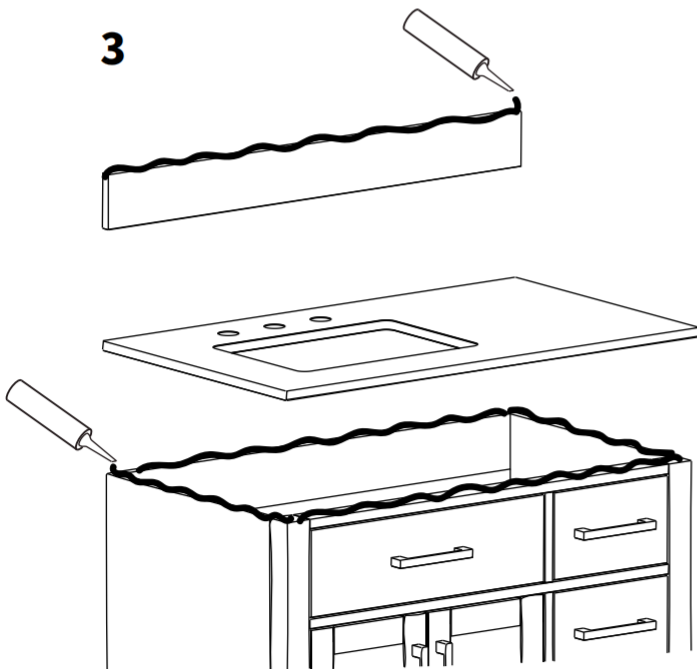
Remove vanity from box and examine vanity for any defects or damage. Carefully place vanity against wall.

2



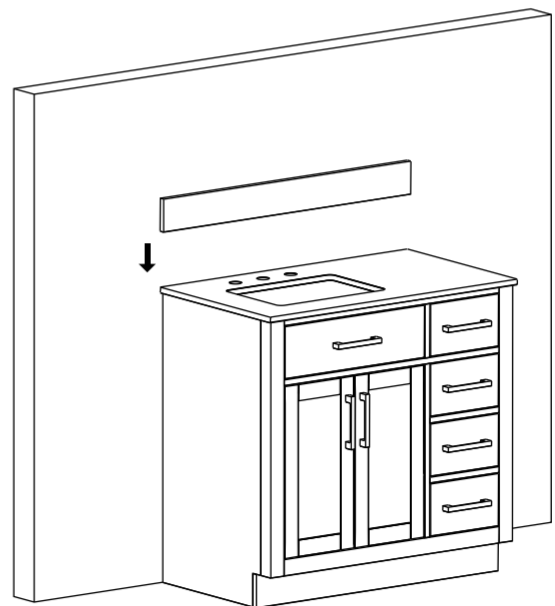
Always use a two man crew, a single person crew is much more likely to break or chip the stone top.

3



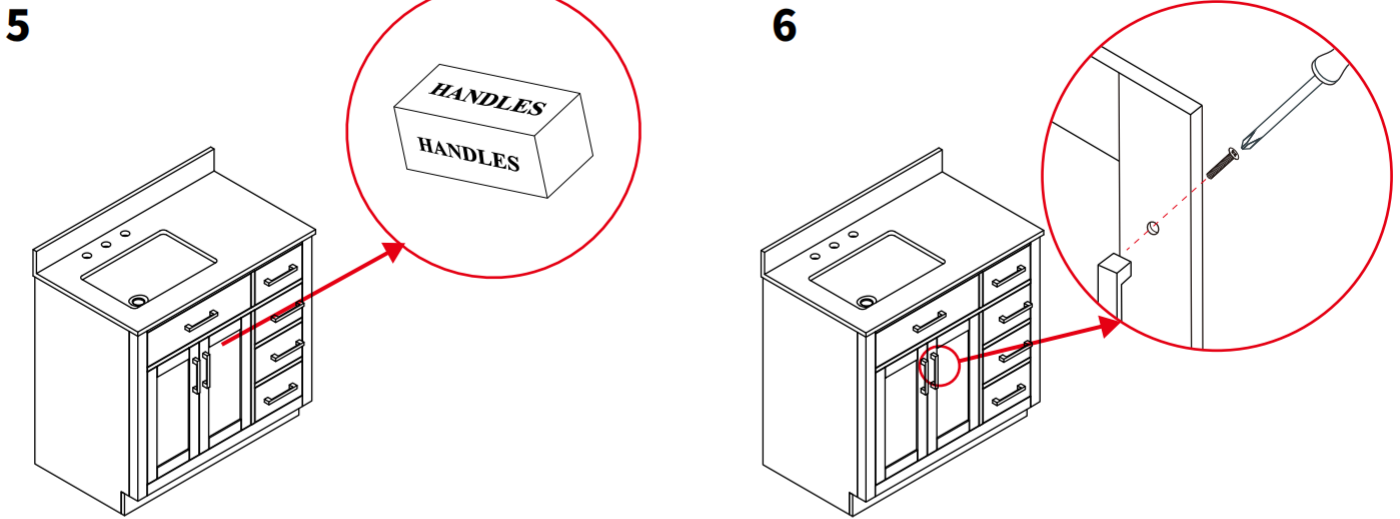
Apply bead of quality sealant evenly along the bottom of back splash and the top of the vanity.

4



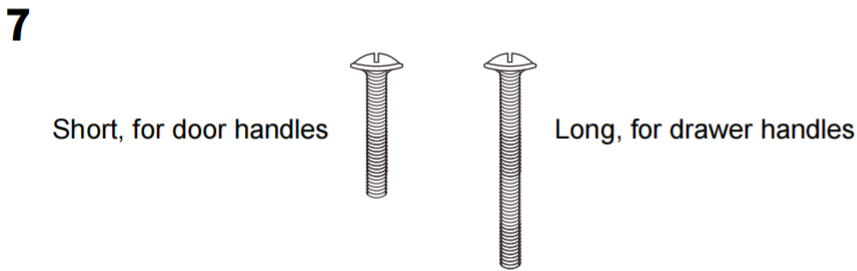
Finally, place the bottom side of back splash with sealant onto the counter top and check alignment of back splash.

Vanity Installation



Different handle colors are available for purchase separately and may be packed inside the cabinet or shipped separately.

Unpack the handles and install them on the vanity. Do not over tighten when attaching.



Short screws are for the door handles and long screws are for the drawer handles.

HOW TO ADJUST HINGES (if required)

