

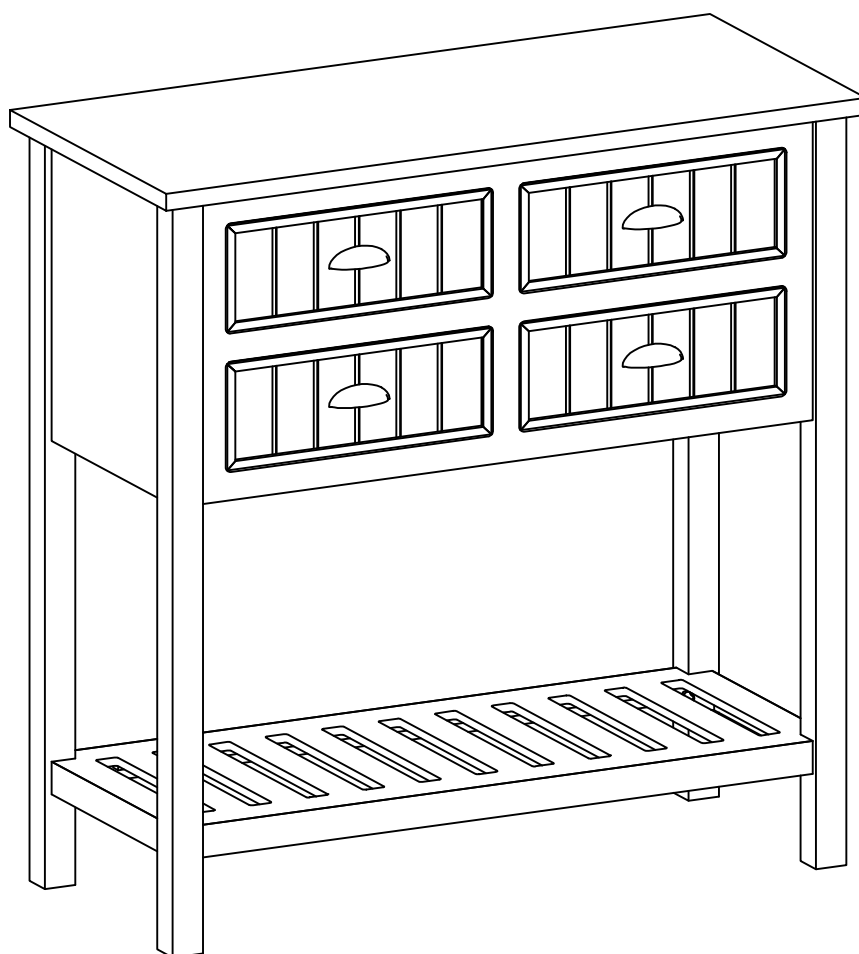
ASSEMBLY INSTRUCTIONS

IMPORTANT NOTE

**PLACE ALL PARTS ON A CLEAN AND SMOOTH SURFACE SUCH AS A RUG OR CARPET TO AVOID THE PARTS FROM BEING SCRATCHED

**BEFORE YOU BEGIN, KINDY FOLLOW THE ASSEMBLY INSTRUCSTIONS STEP BY STEP

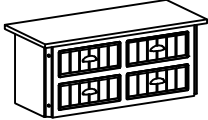

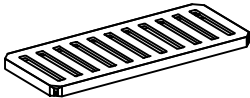
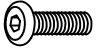
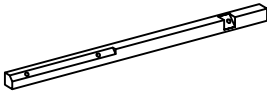
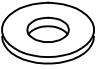

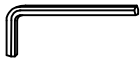
**DO NOT TIGHTEN ALL SCREWS AND BOLTS UNTIL THE CASES IS FULLY SET-UP



PLEASE DO NOT RETURN PRODUCT TO THE STORE

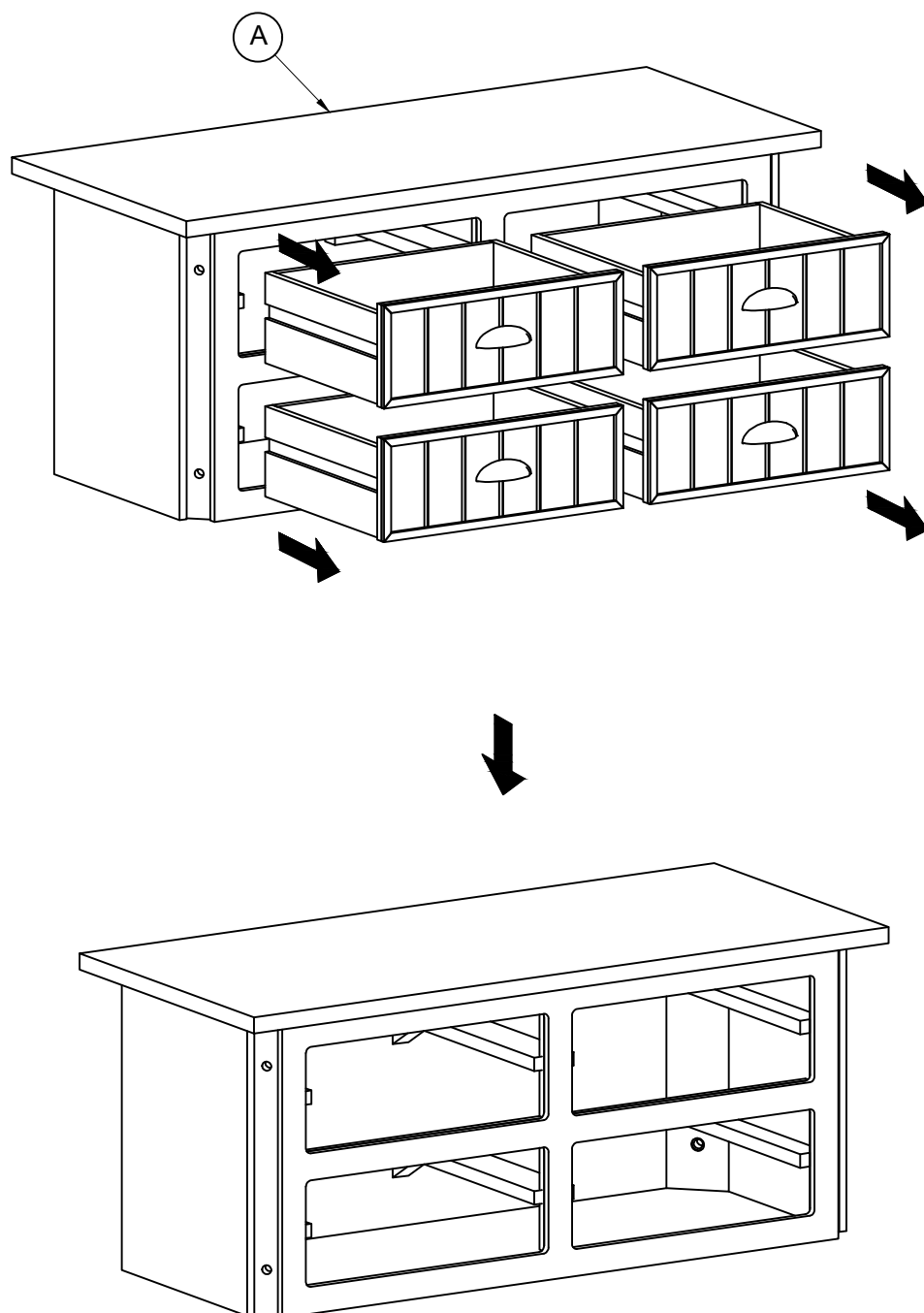
ASSEMBLY INSTRUCTIONS

CARTONS ONLY ONE/HARDWARE LISTS

PART LISTS				HARDWARE LISTS			
NO	DESCRIPTION	SKETCH	Q'TY	NO	DESCRIPTION	SKETCH	Q'TY
A	CONSOLE TABLE		1 PC	1	BOLT 1/4*40mm		8 PCS
B	BOTTOM SHELF		1 PC	2	BOLT 1/4*35mm		4 PCS
C	LEGS		4 PCS	3	FLAT WASHER 1*Ø6.5*16mm		12 PCS
				4	SPRING WASHER 1*Ø6.5*11mm		12 PCS
				5	ALLEN KEY		1 PC

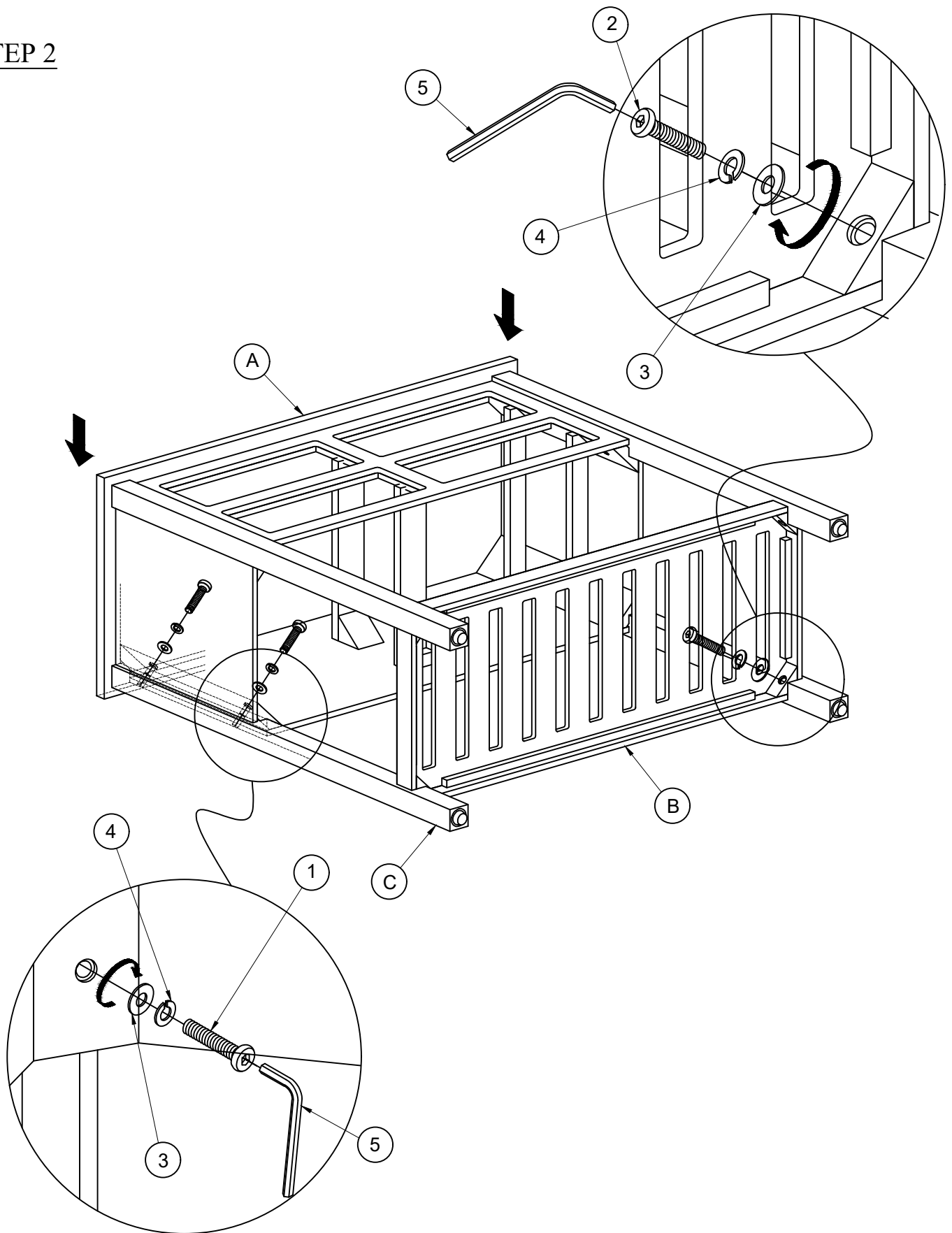
ASSEMBLY INSTRUCTIONS

STEP 1



ASSEMBLY INSTRUCTIONS

STEP 2



ASSEMBLY INSTRUCTIONS

STEP 3

