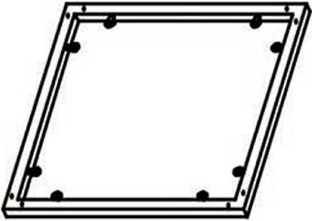
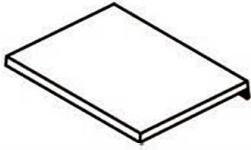

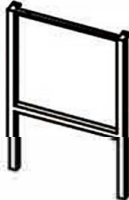
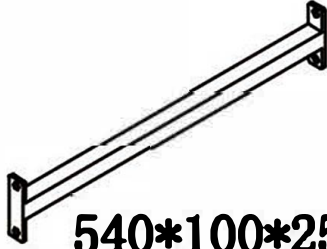
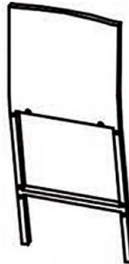

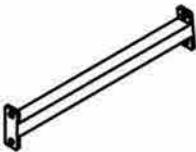





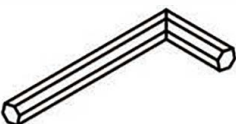
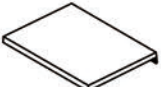


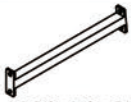





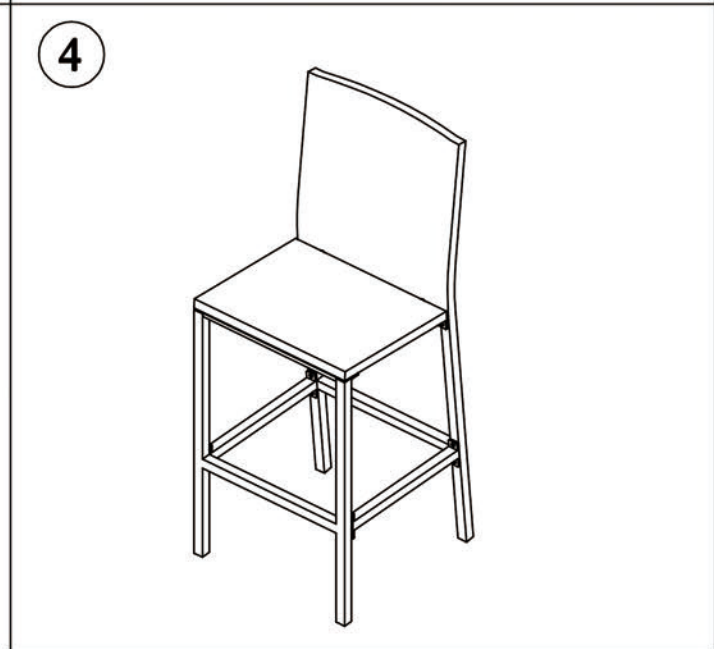
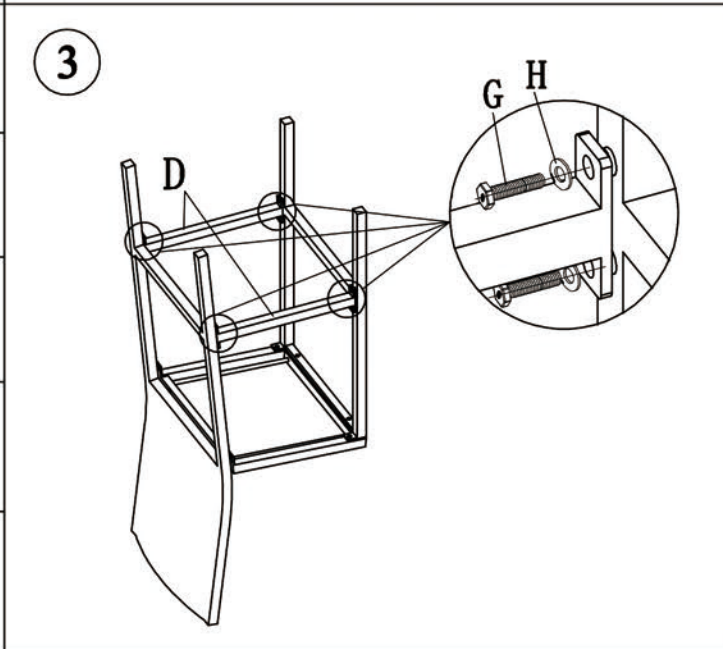
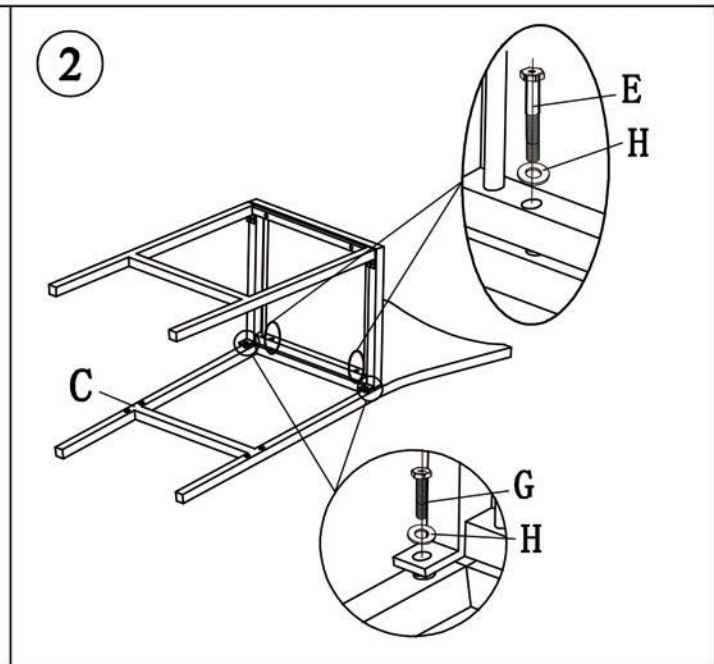
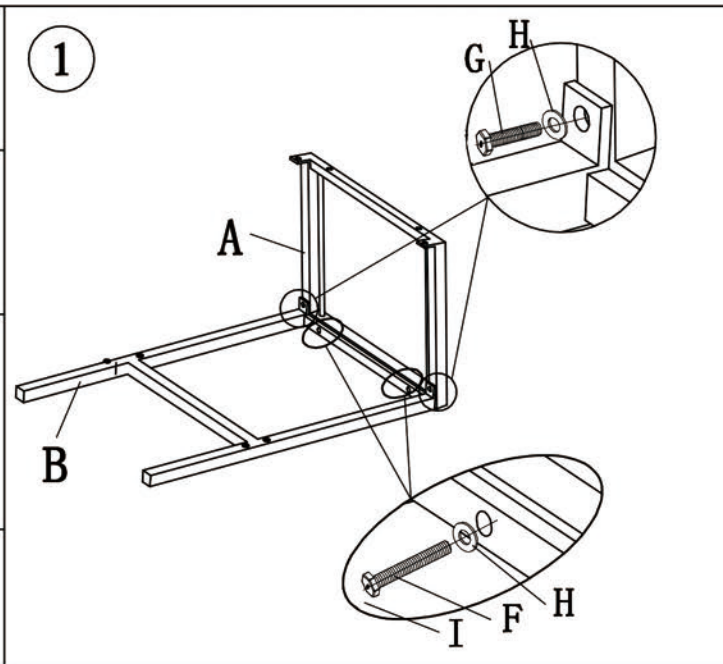
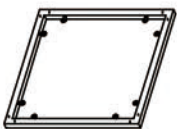

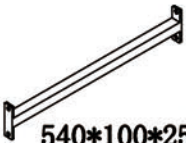






Assembly Instruction

K	 600*600*30mm	1	A	 455*380*50mm	2
L	 600*940*30mm	2	B	 695*455*50mm	2
M	 540*100*25mm	2	C	 1140*455*100mm	2
N	 M6*15mm	16	D	 390*70*25mm	4
O		1	E	 M6*40mm	4
			F	 M6*40mm	4
			G	 M6*20mm	24
			H	 M6	48
			I		3

A	 455*380*50mm	1
B	 695*455*50mm	1
C	 1140*455*100mm	1
D	 390*70*25mm	2
E	 M6*40mm	2
F	 M6*40mm	2
G	 M6*20mm	12
H	 M6	16
I		1



K	 600*600*30mm	1
L	 600*940*30mm	2
M	 540*100*25mm	2
N	 M6*15mm	16
O		1
H	 M6	16
I		1

