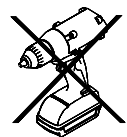
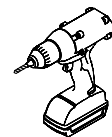
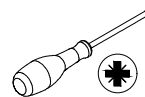
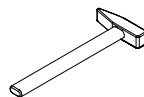
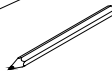
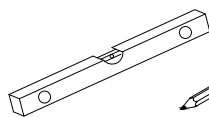
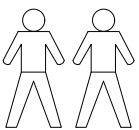
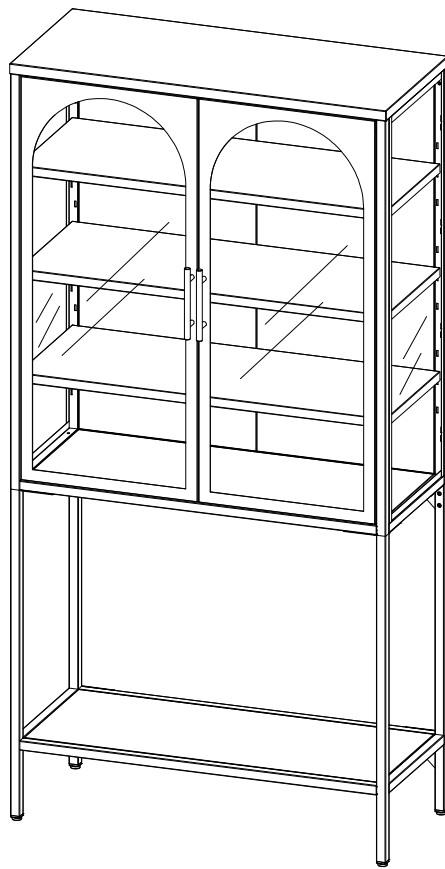
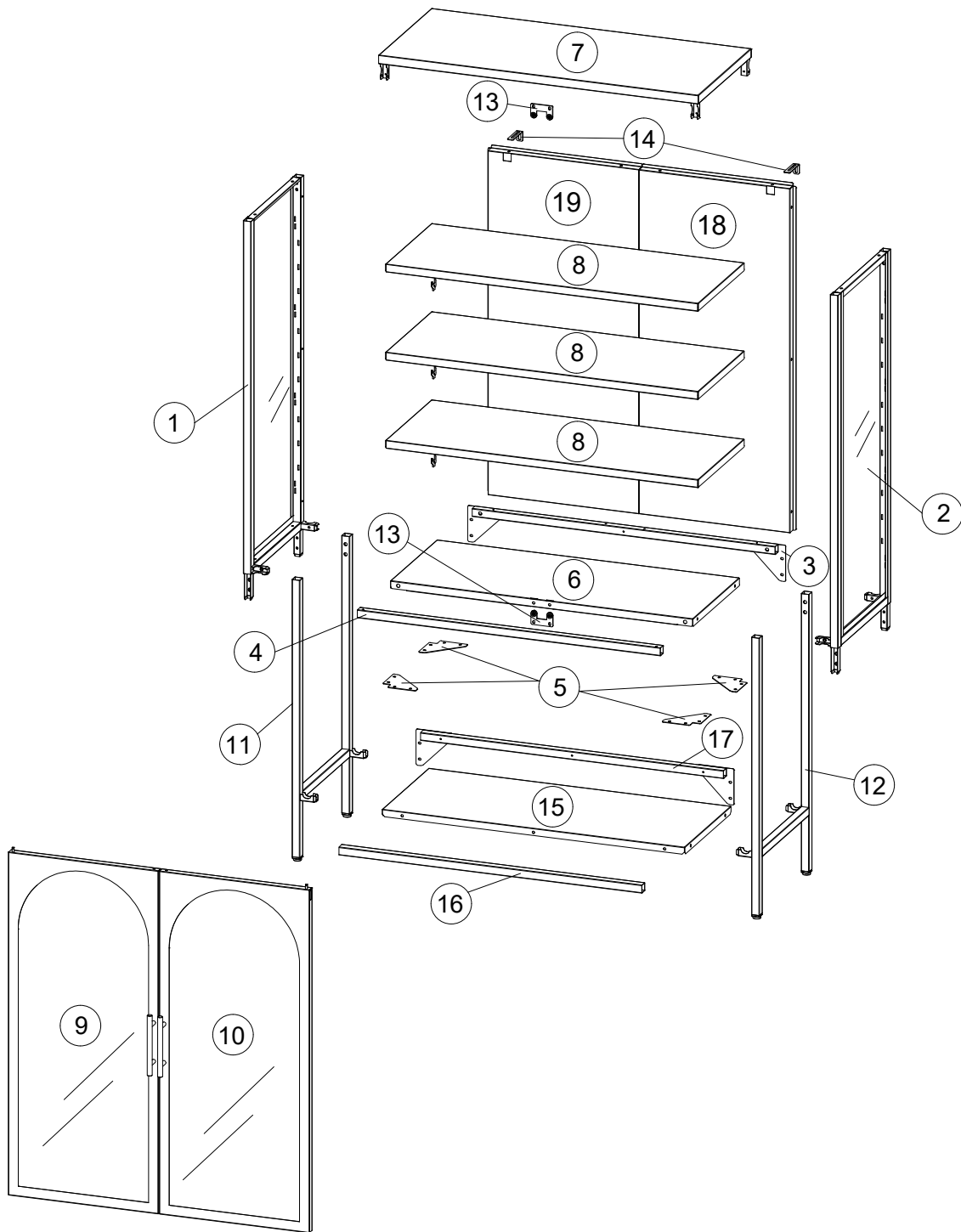


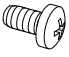
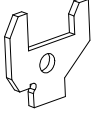
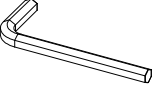
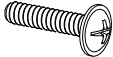



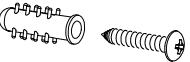




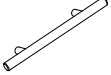
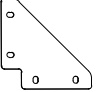


Assembly Instructions



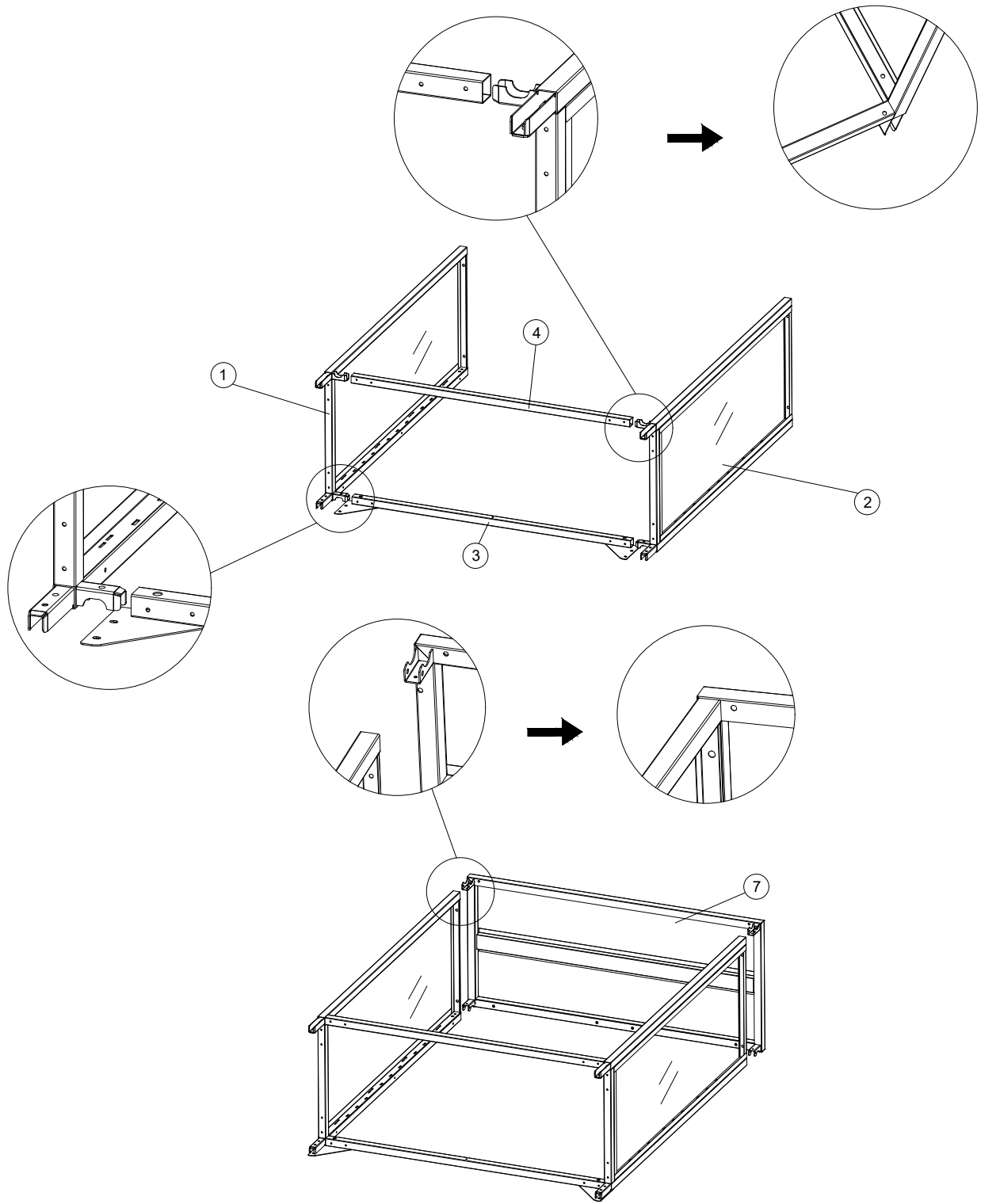


Box 1/1:


- (1) (2) (3) (4) (5) X4 (6) (7) (8) X3
 (9) (10) (11) (12) (13) X2 (14) X2 (15) (16) (17) (18) (19)


<p>A × 56</p>  <p>M4x8mm</p>	<p>B × 12</p> 	<p>C × 1</p> 	<p>D × 4</p>  <p>M4x22mm</p>
<p>E × 2</p>   <p>Ø4.8 Ø5</p>		<p>F × 16</p>  <p>M6x10mm</p>	<p>G × 2</p> 
<p>H × 4</p>     <p>M3x8mm M3 T=3mm Ø3</p>		<p>I × 2</p> 	
<p>5 × 4</p> 	<p>13 × 2</p> 	<p>14 × 2</p> 	


1

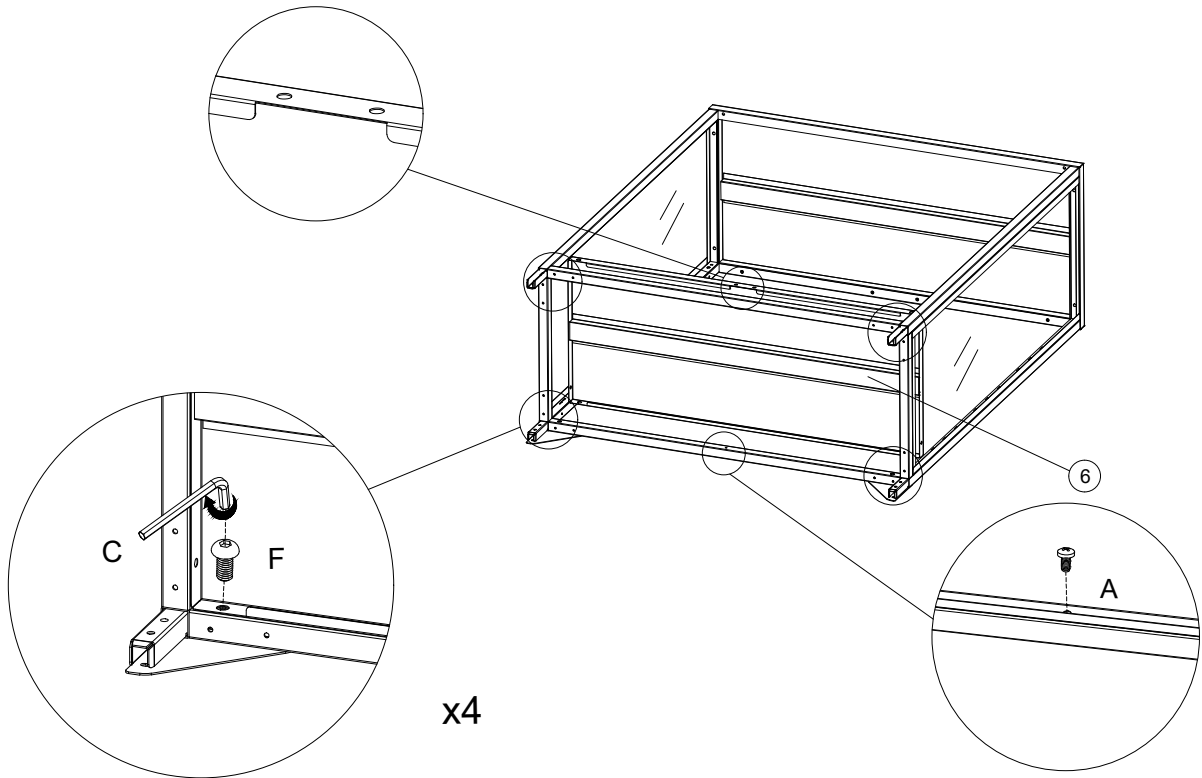
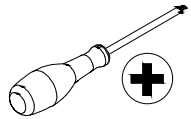


2

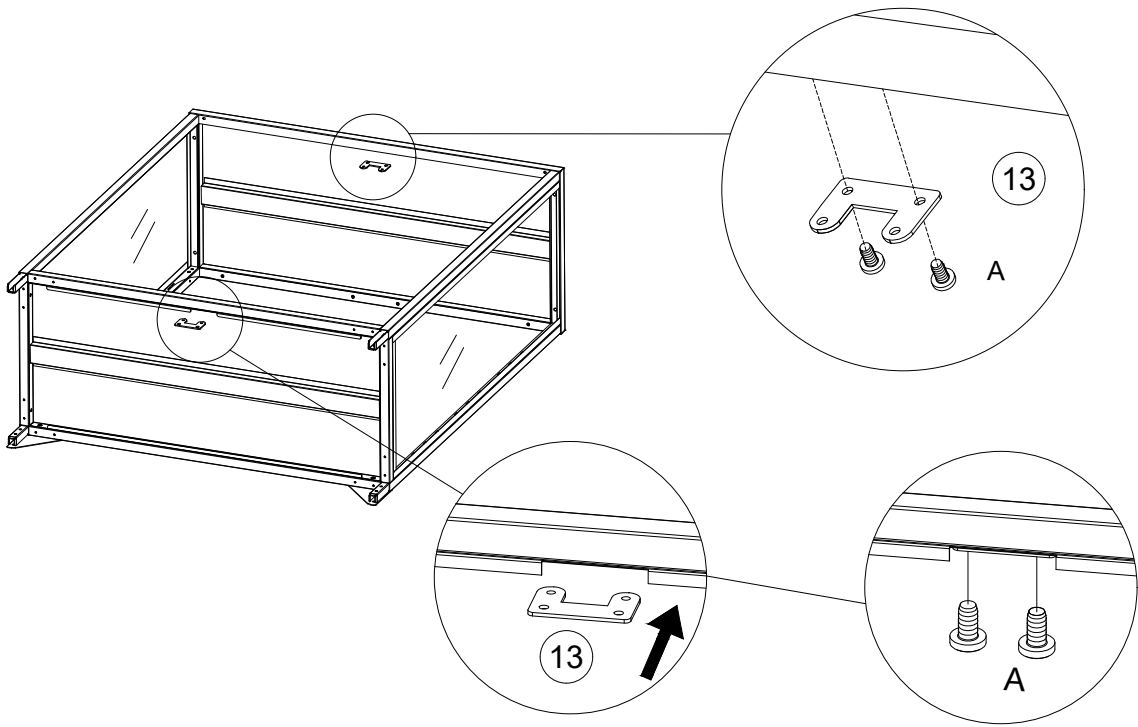
A x 5

M4x8mm

C x 1





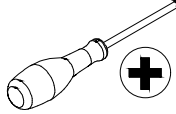
F x 4

M6x10mm

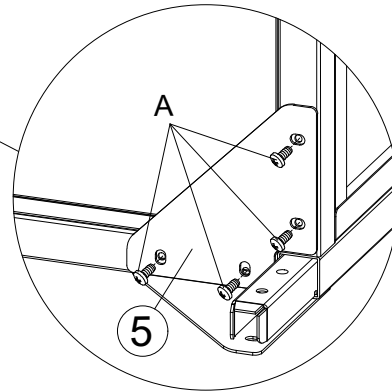
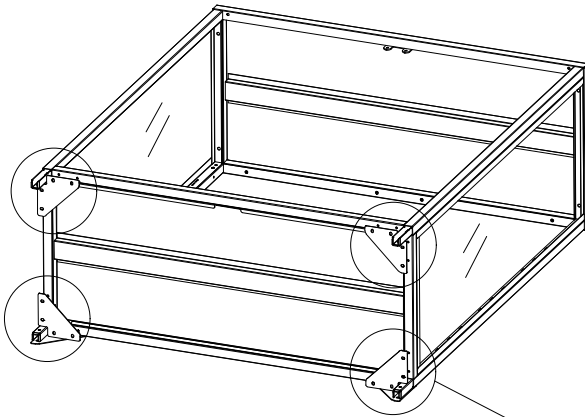


x4

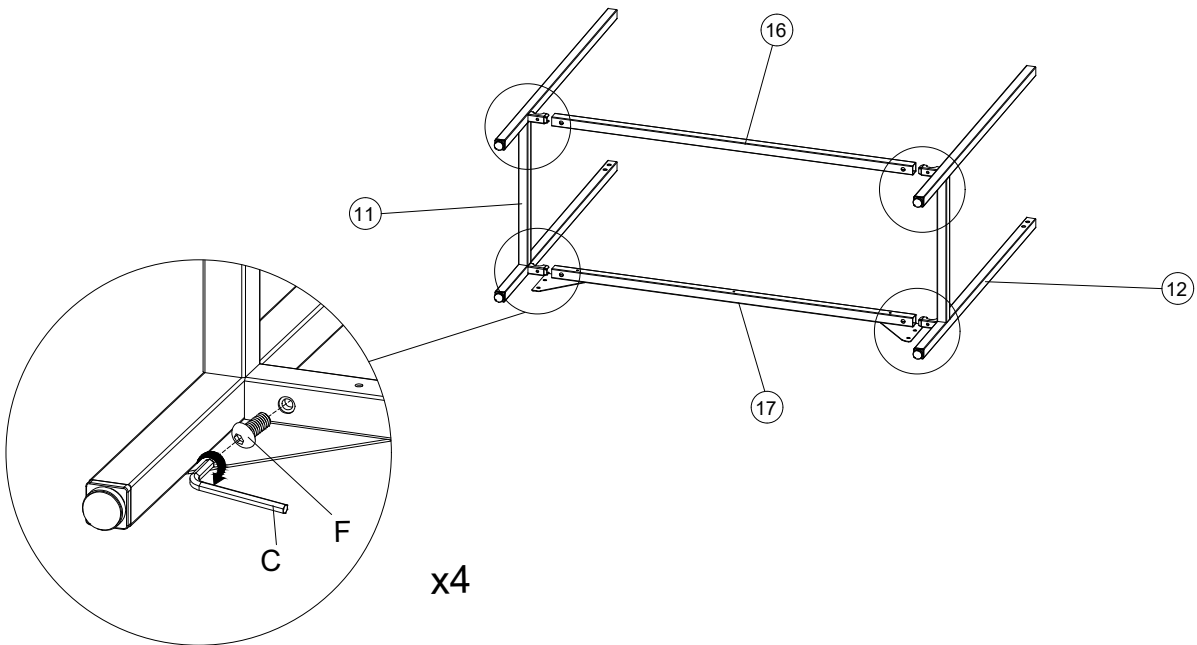


3

A x 16  M4x8mm	C x 1 	F x 4  M6x10mm	
---	--	---	---






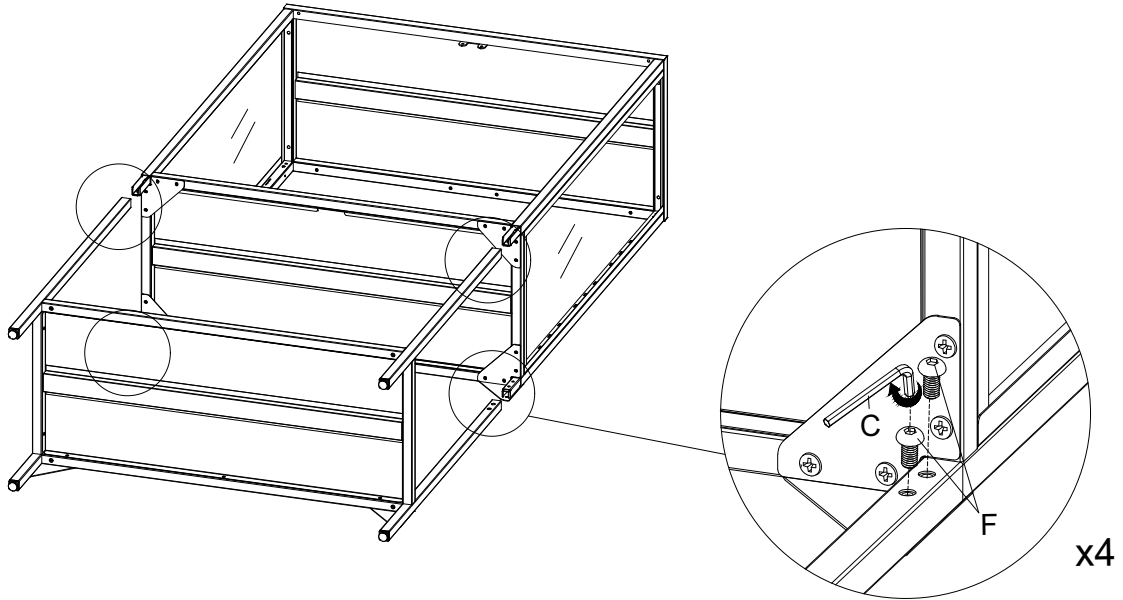
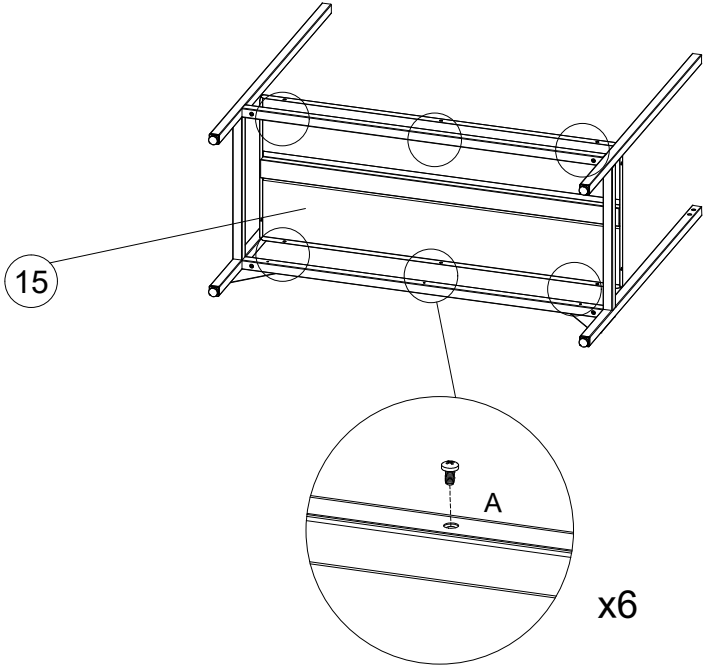
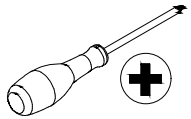
x4



x4

4

A x 6  M4x8mm	C x 1 	F x 8  M6x10mm
--	--	---



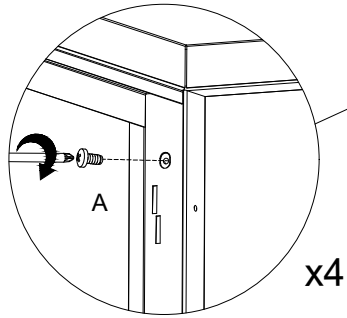
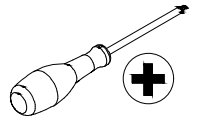
5

A x 4

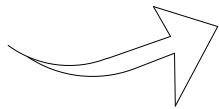


M4x8mm

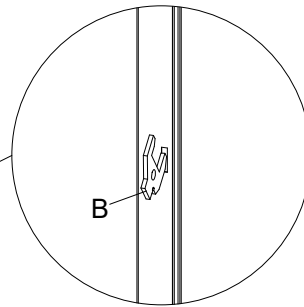
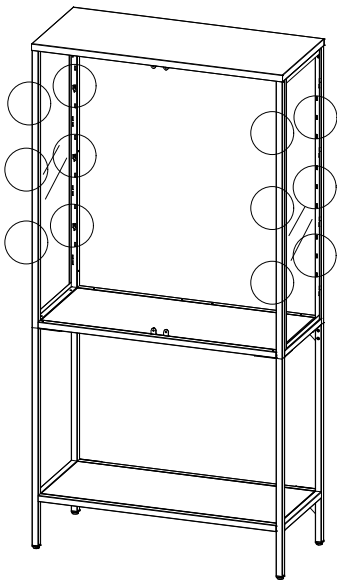
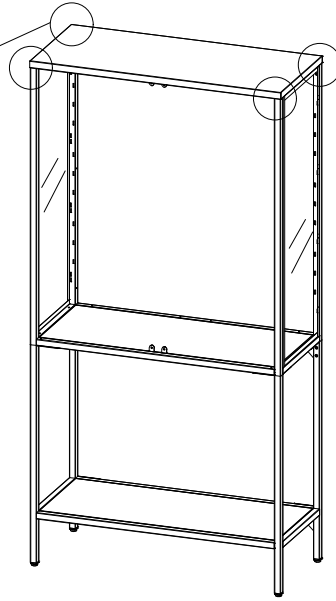
B x 12



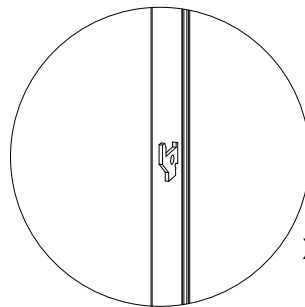
x4



UP









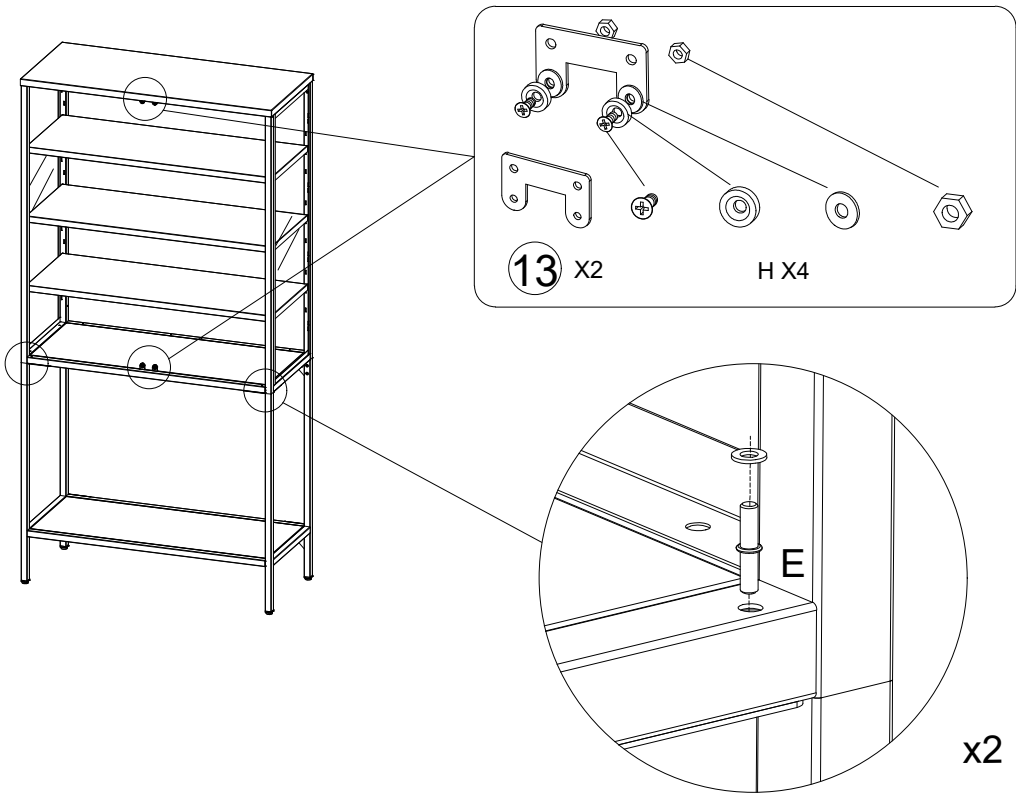
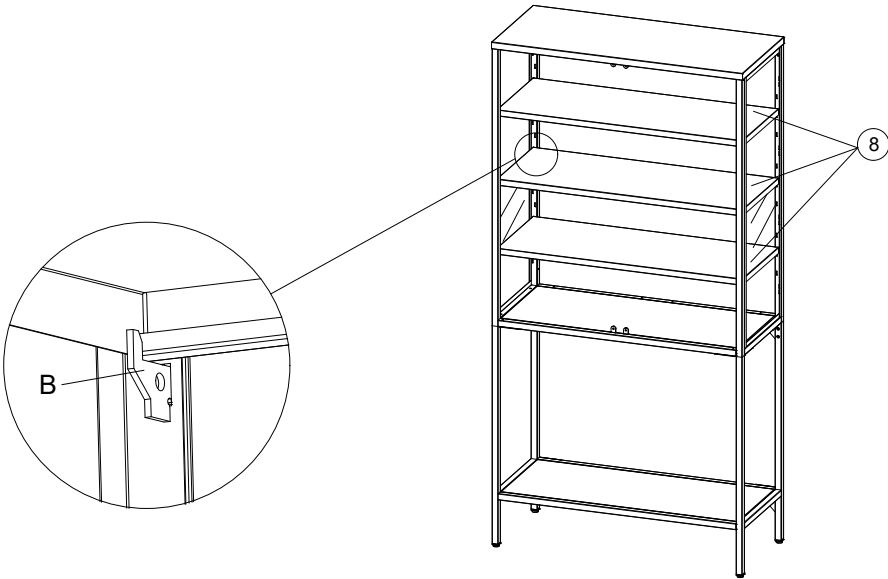
B



x12

6

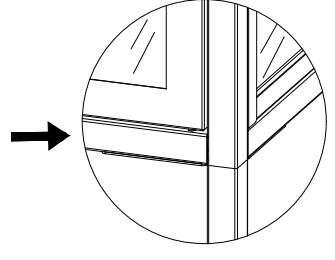
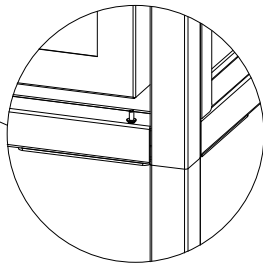
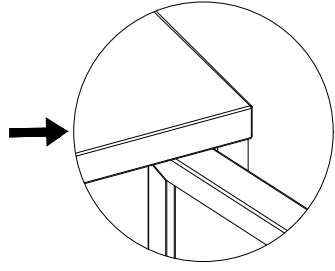
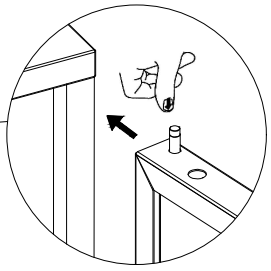
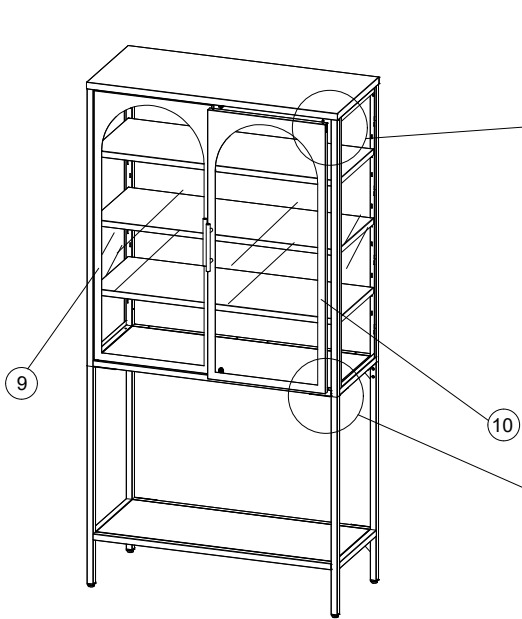
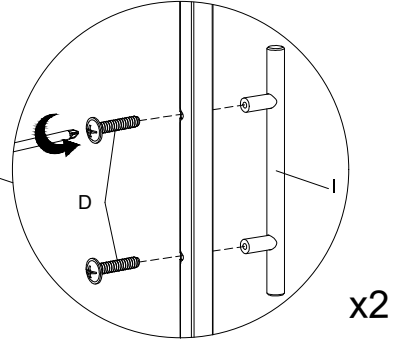
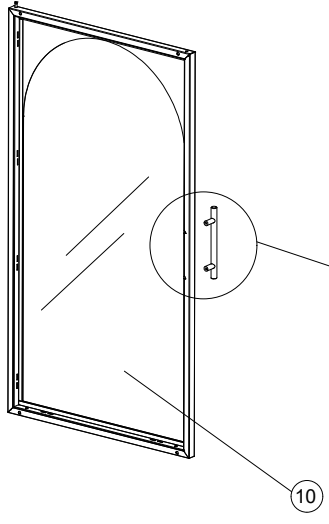
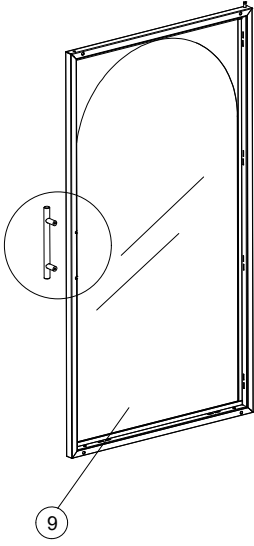
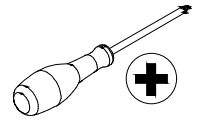
E x 2		H x 4			
					
Ø4.8	Ø5	M3x8mm	M3	T=3mm	Ø3



7

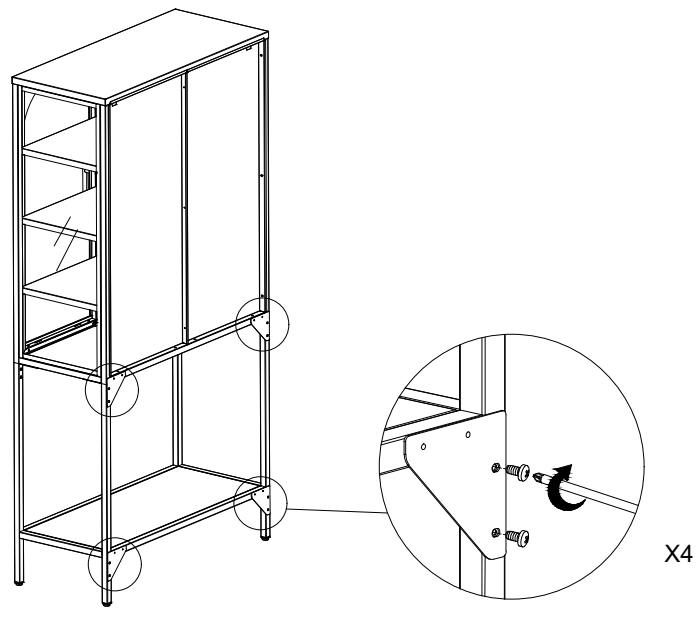
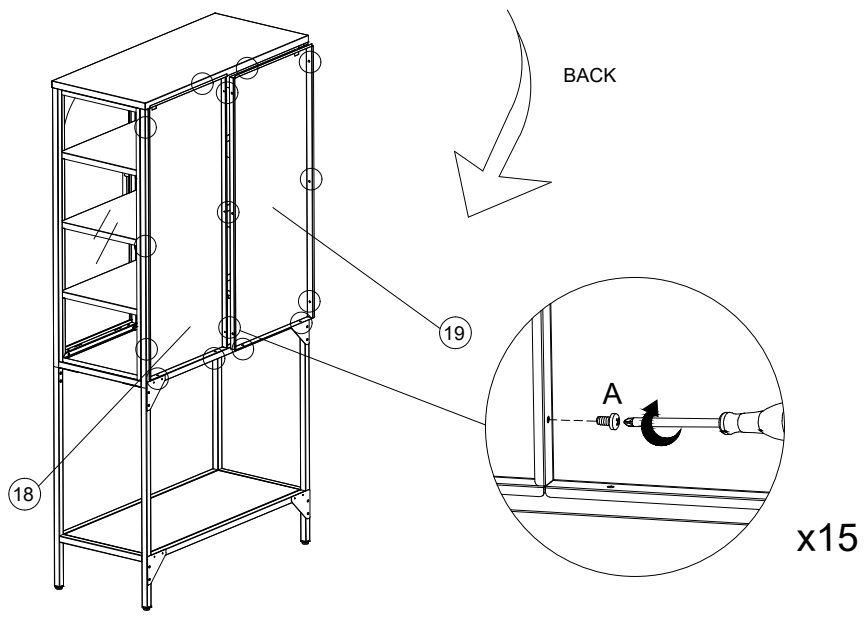
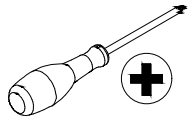
D × 4
M4x22mm

I × 2




8

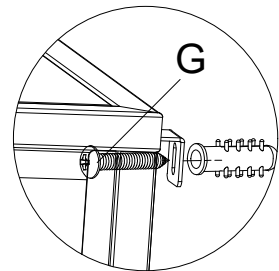
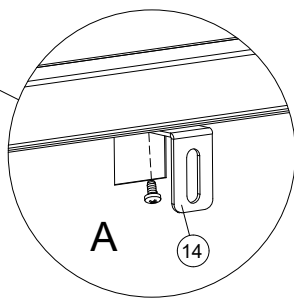
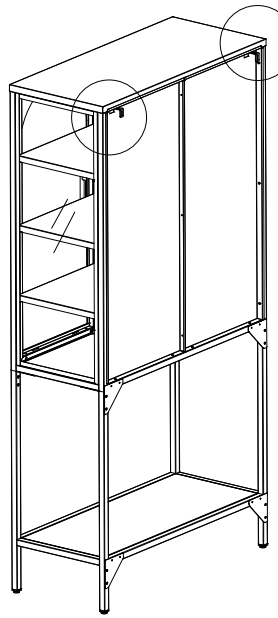
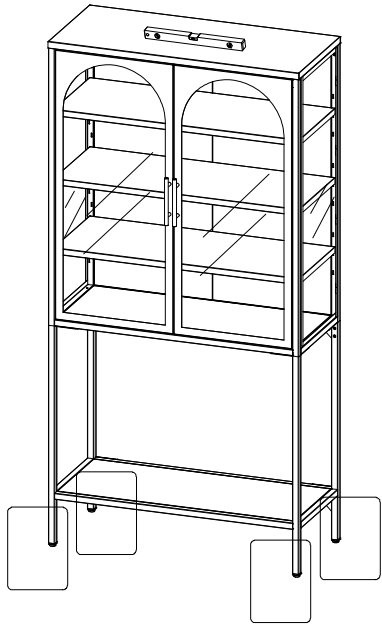
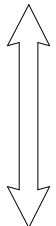
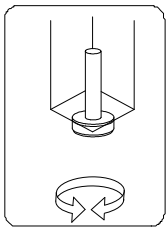
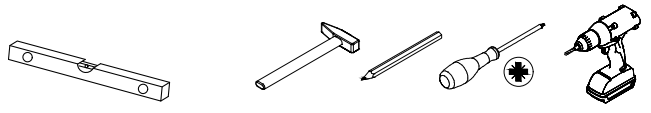
A x 23
M4x8mm



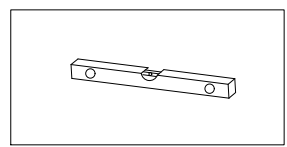
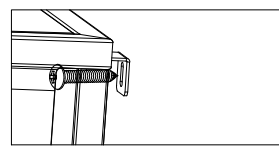
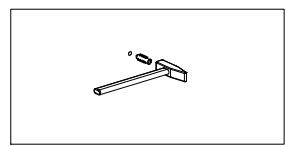
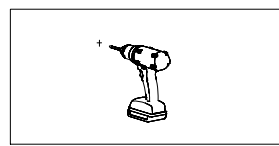
9

A x 2

M4x8mm

G x 2

X2



10

