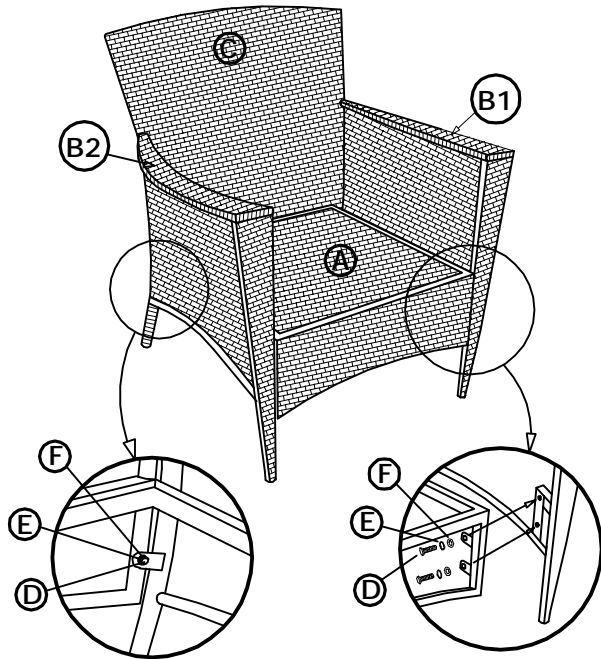
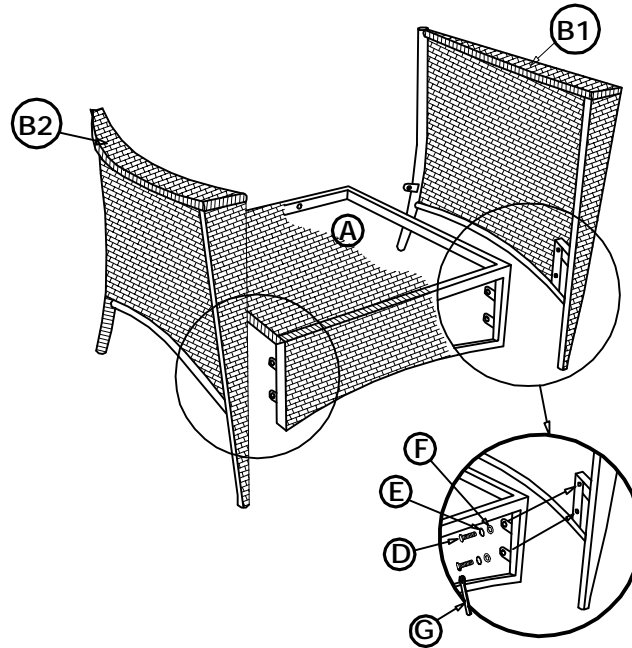


# ASSEMBLY INSTRUCTIONS

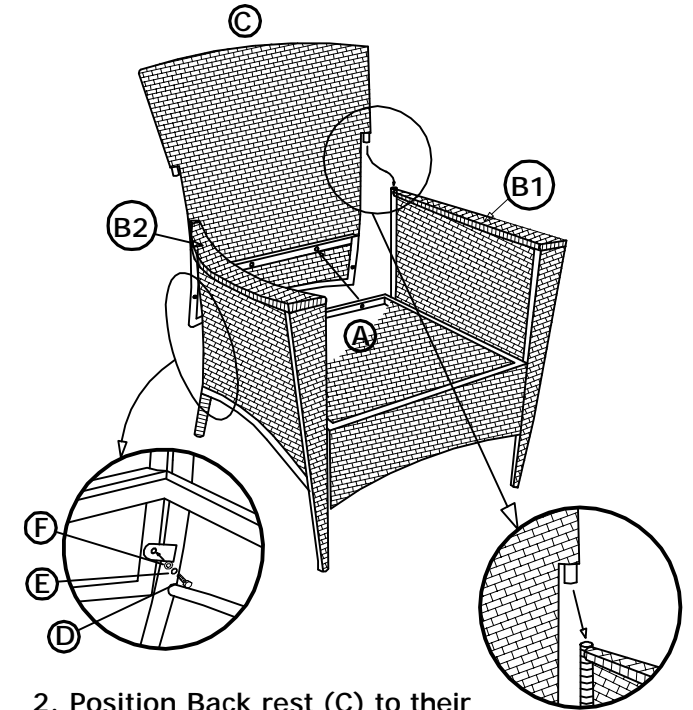
## Lounge Chair



- A Seat frame ( 1 pc. )
- B1 Arm Left ( 1 pc. )
- B2 Arm Right ( 1 pc. )
- C Back Rest ( 1 pc. )
- D Hexagonal Bolt ( 6 pcs. )
- E Lock washer ( 6 pcs. )
- F Plain Washer ( 6 pcs. )
- G Hexagonal wrench ( 1 pc. )



1. Position Arms L & R (B1 & B2) to their corresponding holes on the Seat frame (A) and use Plain washer (F) and Lock washer (E) and tighten Hexagonal Bolt (D) using Hexagonal wrench (G)



2. Position Back rest (C) to their corresponding holes on Arms L & R (B1 & B2) then use Plain washer (F) and Lock washer (E) and tighten Hexagonal screw (D) on bottom rail using Hexagonal wrench provided (G)

