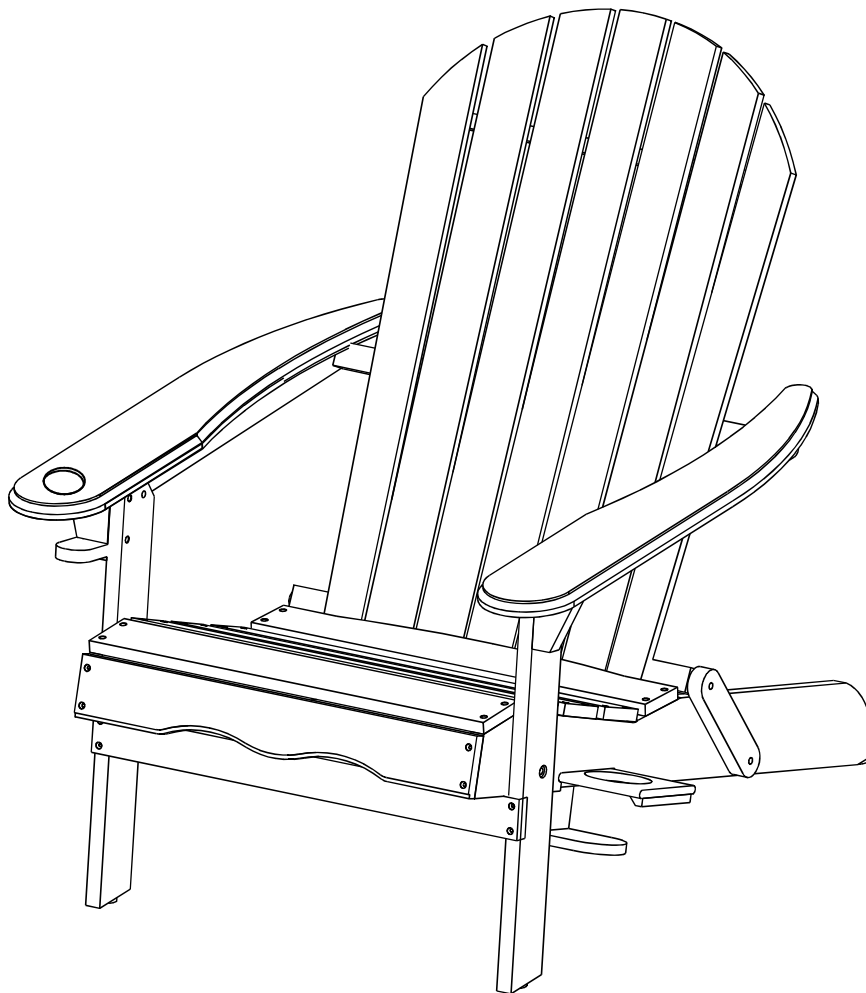


Assembly Instructions

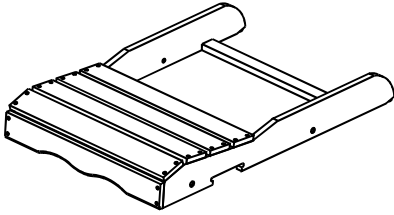
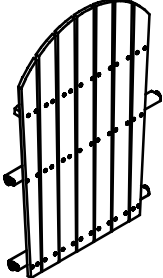
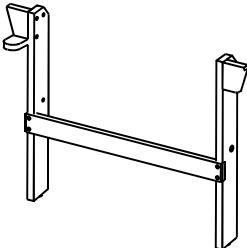
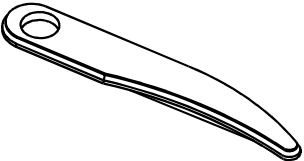
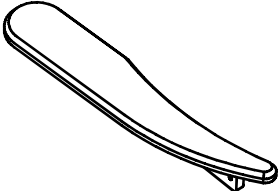
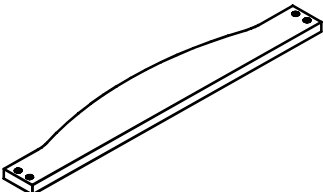
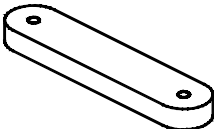
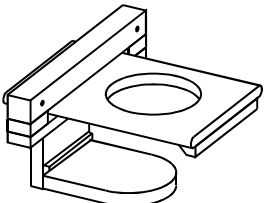
Caution: You must read this before you proceed

Please look in the Seat Panel for hardware packs

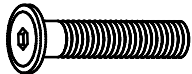

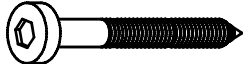



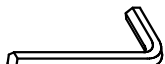
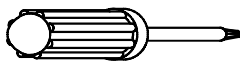


Caution: This Adirondack is NOT a TOY.
Keep your child / children at bay during the assembly process.
Whenever moving or lifting and to prevent any possible damage to it,
two adults are needed to execute this action.

Parts List

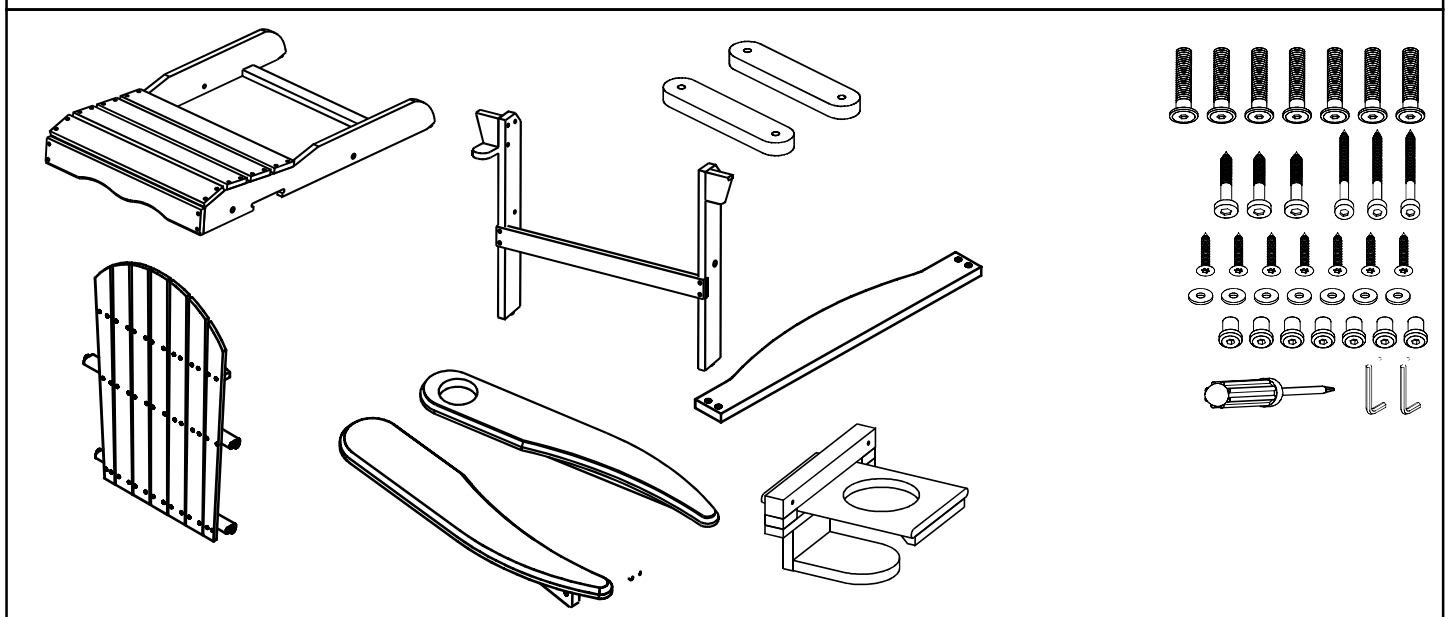
Label	Picture	Description	QTY
A		Seat Panel	1
B		Backrest	1
C		Pre-fixed Front Leg	1
D		Left Armrest	1
E		Right Armrest	1
F		KD Slat	1
G		Folding Support Bar	2
H		Tray	1

Parts List

Label	Picture	Description	QTY
①		Bolt (M8x35mm)	7
②		Sleeve Nut (M8x15mm)	7
③		Long Screw (M7x70mm)	3
④		Short Screw (M7x40mm)	3
⑤		Screw (M4x30mm) (Use with Screwdriver)	7
⑥		Plastic Washer	7
⑦		Allen Key	2
⑧		Screwdriver	(Not provided)

Assembly Preparation

Before Beginning Assembly:



- Read instructions, cover to cover-



- Have 2 adults on hand for assembly-



- Do not assemble on flooring or carpet-



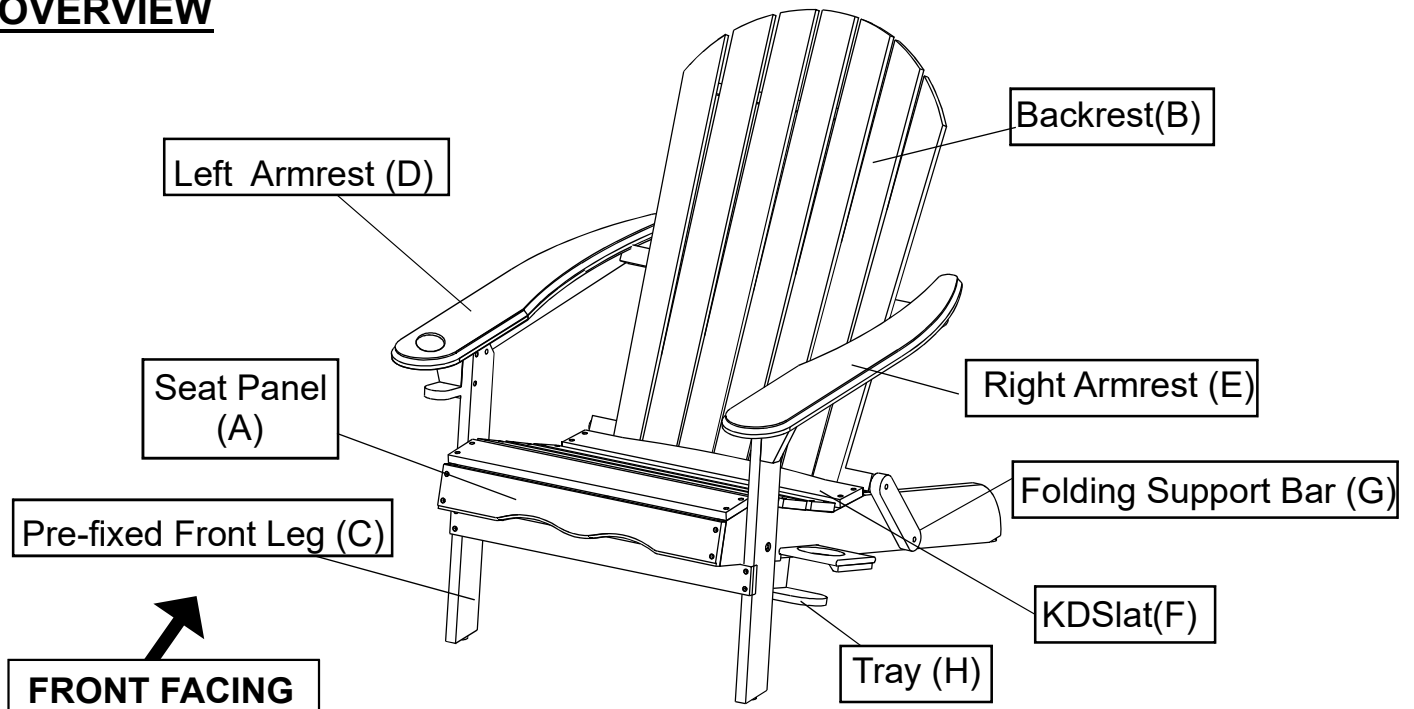
- Assemble on a clean non-marring surface (packing foam)-



- Save all packaging until finished-

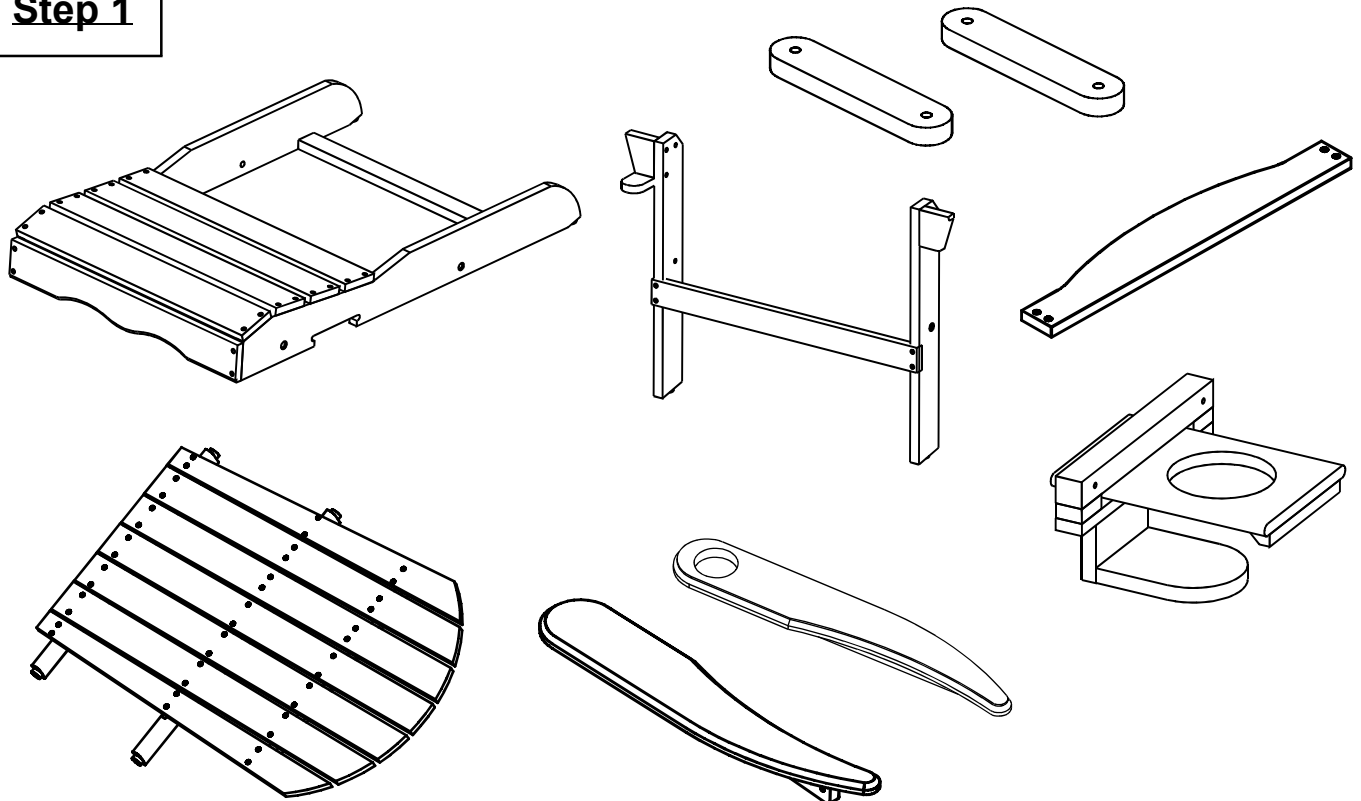
Assembly Steps

OVERVIEW



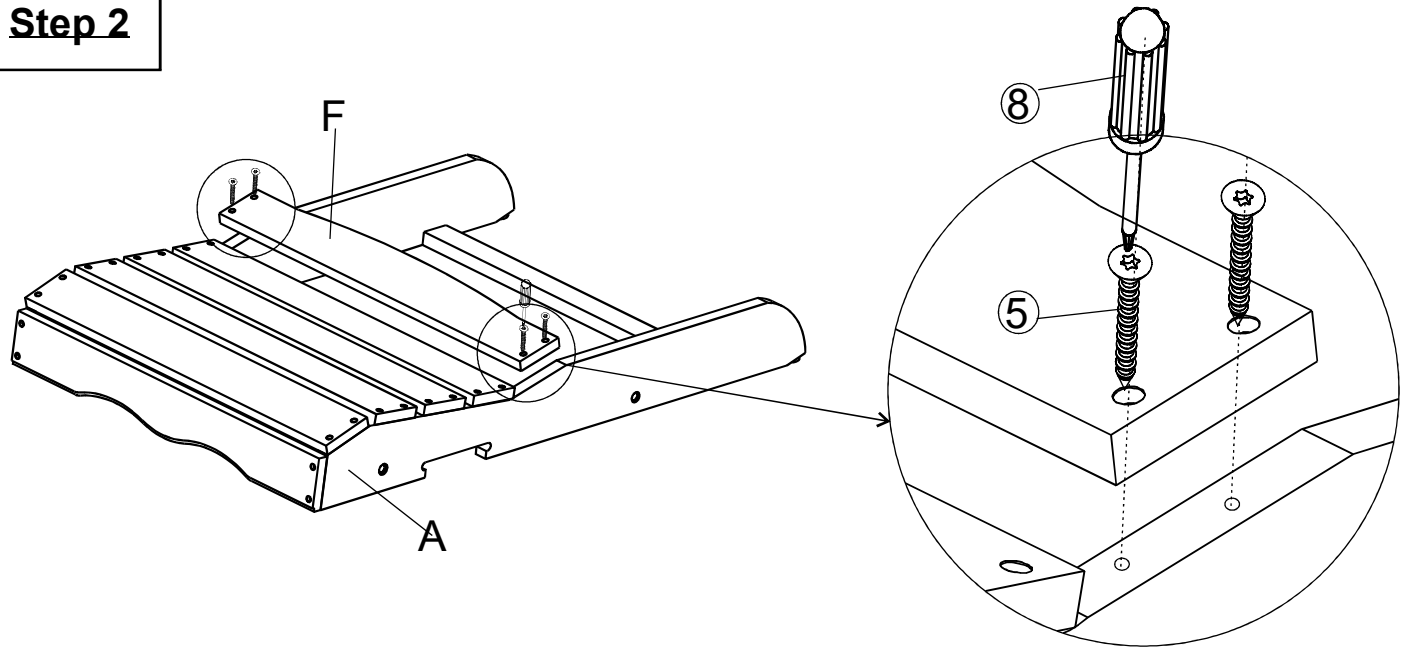
This has multiple parts and may require up to 30 minutes to assemble. To give you an overview of the parts, the above picture is to help you put the various parts into perspective. Please read through the instructions below to familiarise yourself with the parts and steps before assembly.

Step 1



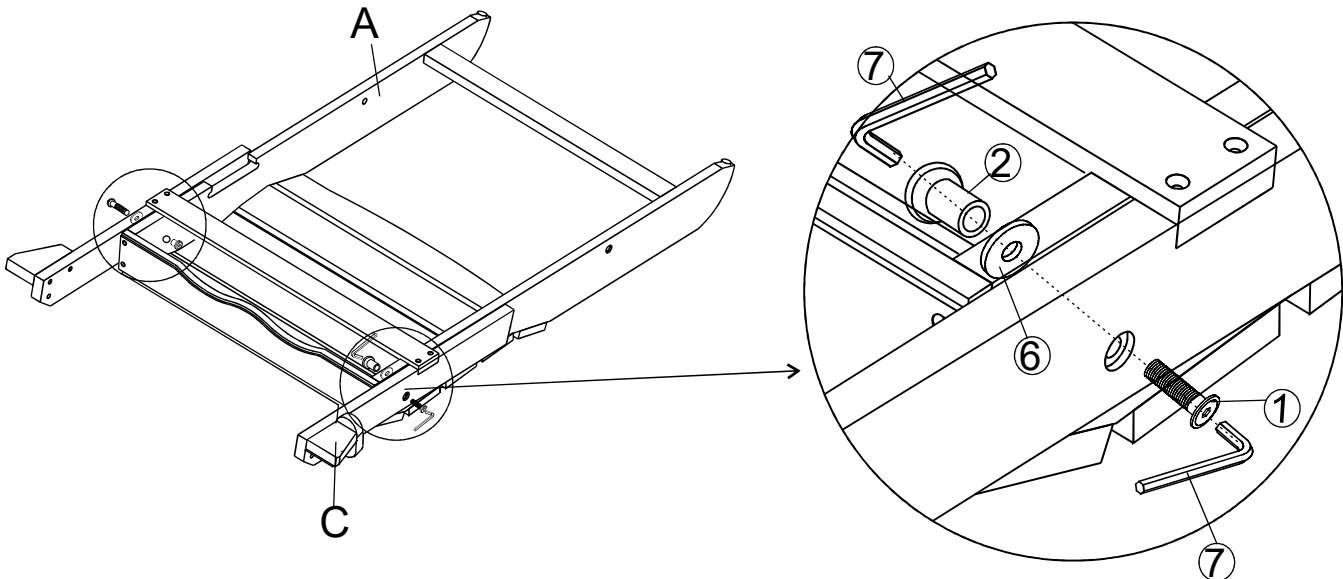
Unpack and place all parts on a clean, non-marring surface.

Step 2



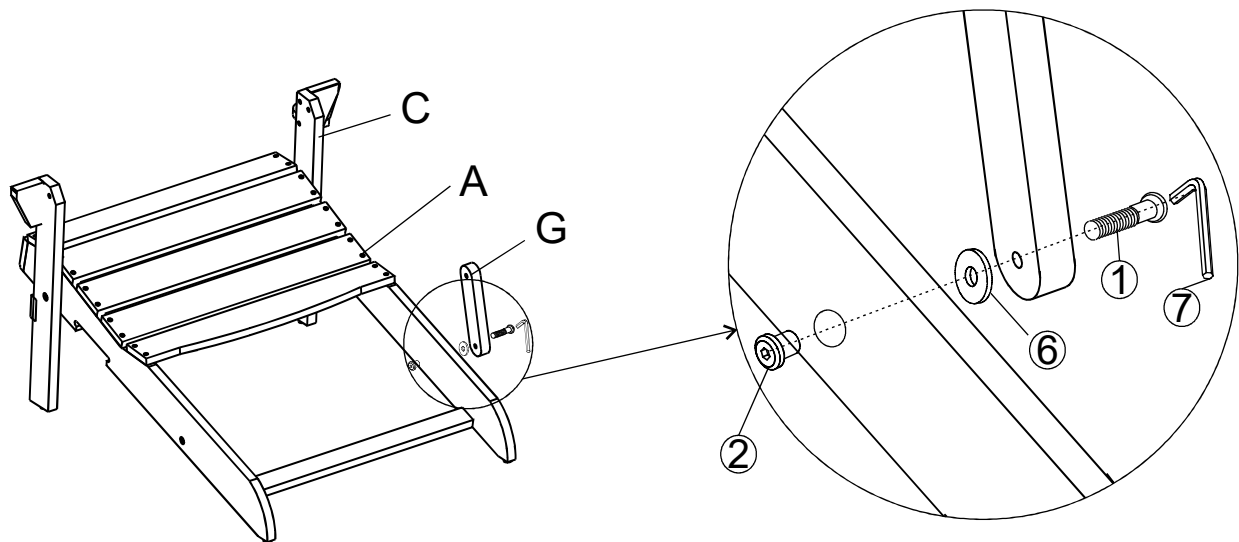
Place the Seat Panel(A) onto a clean, non-marring surface.
Position the KD Slat(F) onto the Seat Panel(A) using Screws(5) and a Screwdriver (8) as shown above
Do not fully tighten the Screws

Step 3



Turn the assemble in step 2 upside down as shown above.
Attach the Pre-fixed Front Leg(C) to the Seat Panel(A) using Bolts(1) Plastic Washers (6), Sleeve Nuts 2and the Allen Key (7) as shown above
Do not fully tighten Bolts.
Note:Plastic Washers should be placed between the Seat Panel and Front Leg.

Step 4



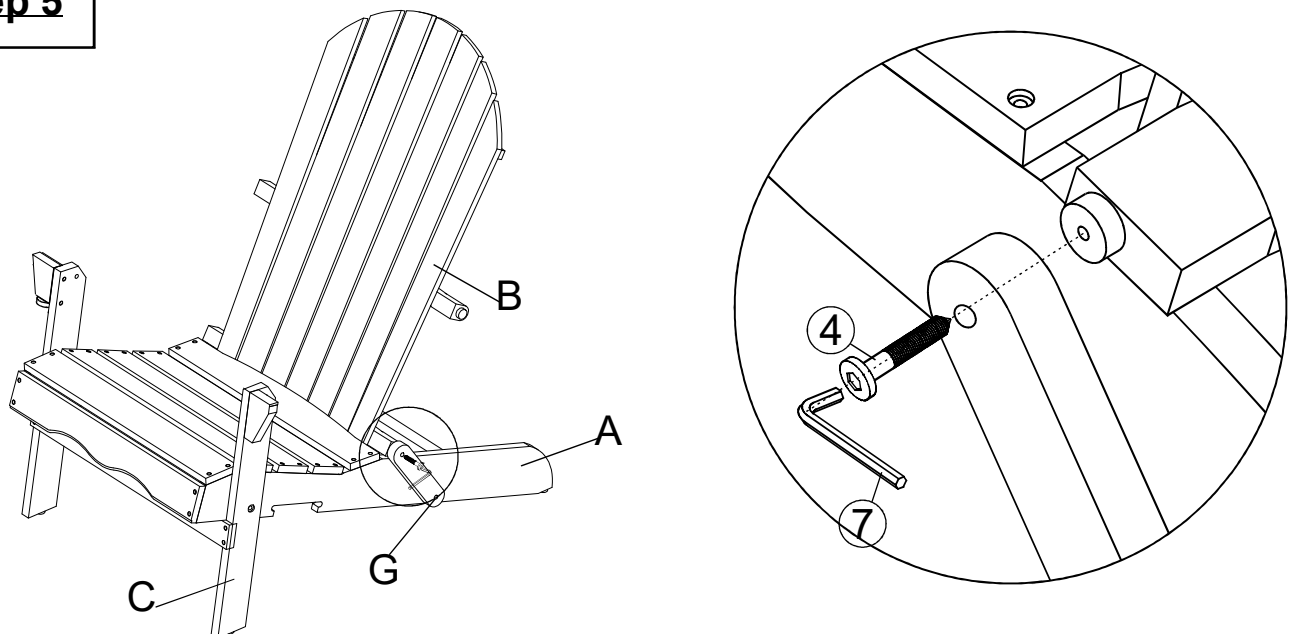
Turn the Frame in Step 3 back right side up and place it in the position as shown in the picture above.

Attach the Folding Support Bar(G) to the Seat Panel(A) using Bolts (①), Plastic Washers (⑥), Sleeve Nuts (②) and the Allen Key (⑦).

Do not fully tighten Bolts.

Note: A Plastic Washer should be placed between the Seat Panel and the Folding Support Bar.

Step 5

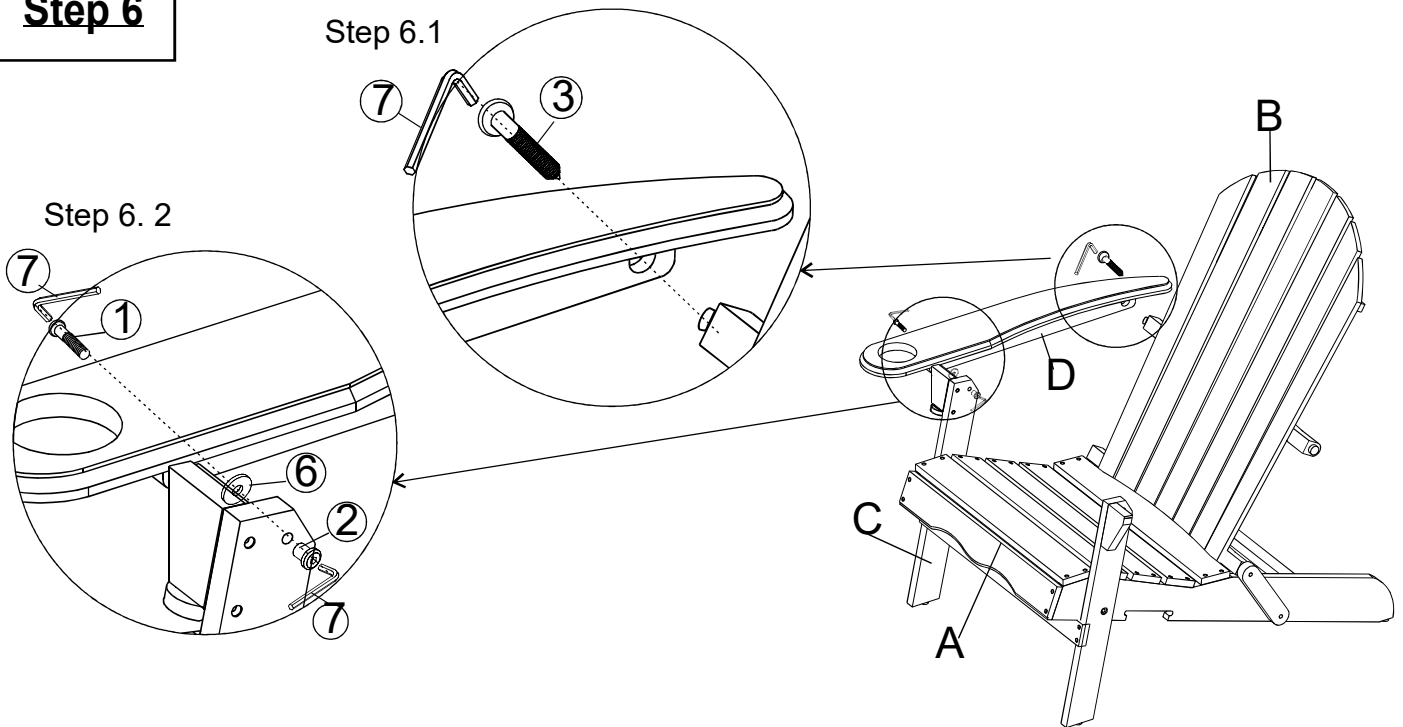


Position the Backrest (B) with mortise into the housing of the Folding Support Bar (G) as shown in the picture above.

Secure the Folding Support Bar(G) to the Backrest (B) using Screws (④) and the Allen key (⑦) as shown above.

Do not fully tighten Screws

Step 6



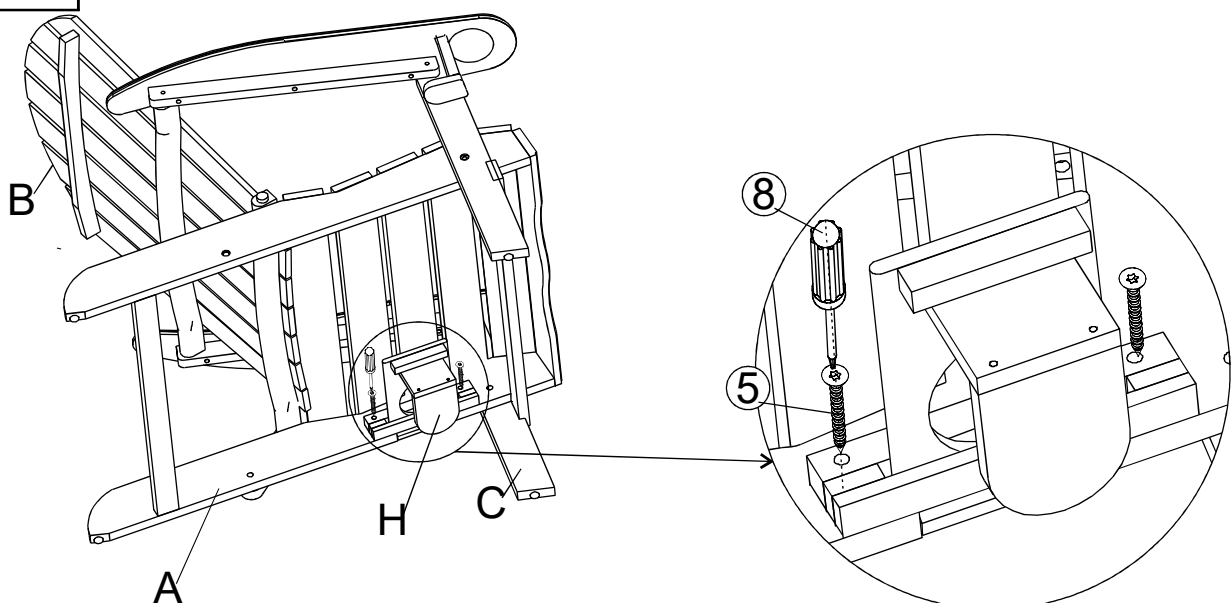
Open the Backrest(B) as shown in the picture above:

6.1) Secure the Left Armrest (D) to the Backrest (B) using Screws (3) and the Allen Key (7)

6.1) Secure the Left Armrest (D) to the Pre-fixed Front Leg (C) using Bolts (1), Plastic Washers (6), Sleeve Nuts (2) and the Allen Key(7)

Do not fully tighten Bolts and Screws.

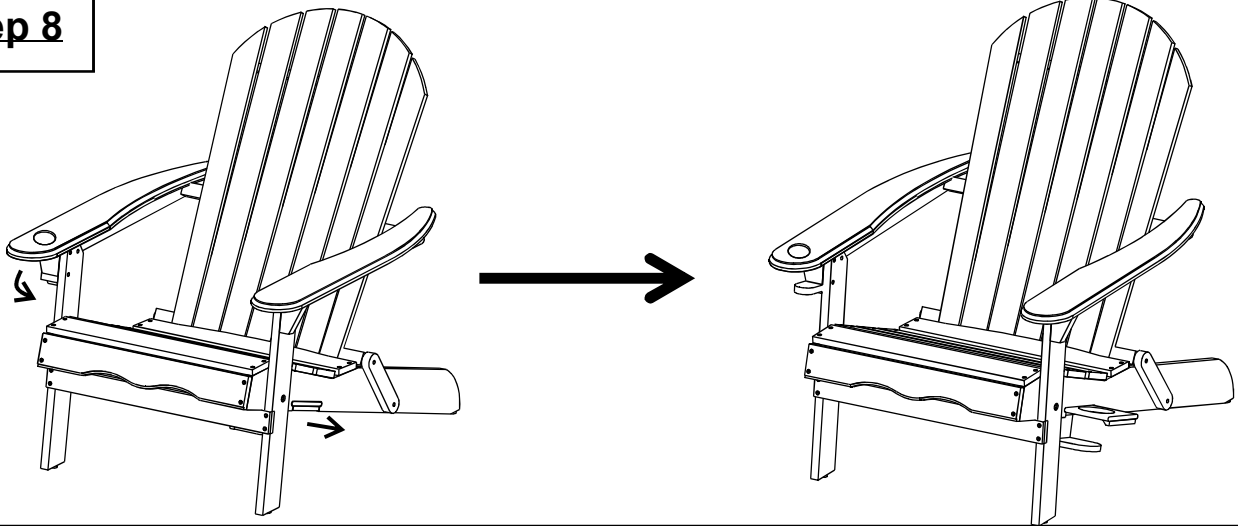
Step 7



With the help of your adult partner, turn on its right side, then attach the Tray (H) onto the Seat Panel (A) using Screws (5) and the Screwdriver (8) as shown above.

Do not fully tighten Screws.

Step 8

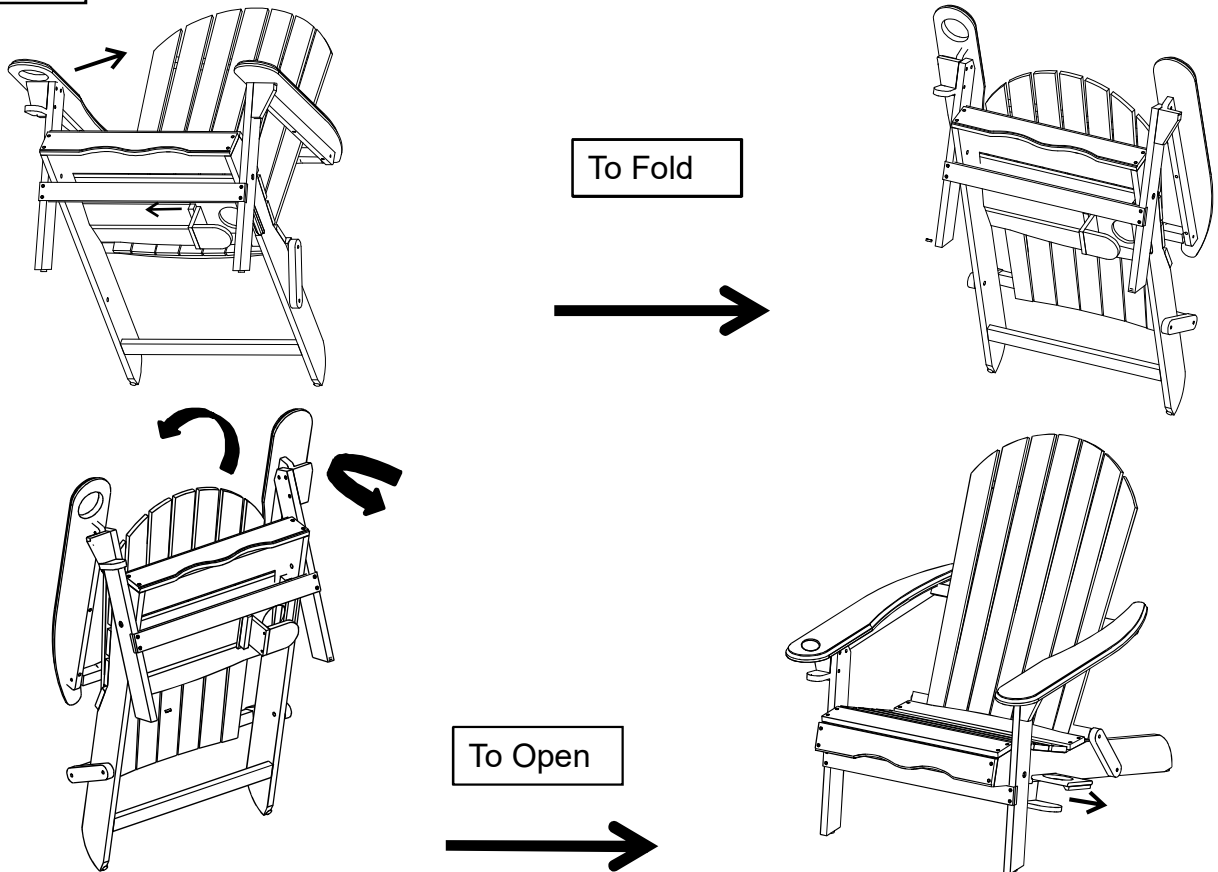


In a sequential manner, tighten all Bolts and Screws at all joints until fully locked into position.

Your chair is ready for use.

This can only be used on a flat, level surface.

Step 9












This Adirondack can be folded shut.

To fold this, raise up the Backrest and fold the Seat with the Leg Frame as indicated by the arrows, until this folds shut.

To open this, open the Backrest and Seat as indicated by the arrows, until this folds out and locks into position.

Note: This is slightly heavy, do exercise caution to avoid injury.

Care & Maintenance

- ⊗  ● Do not put hot items directly on furniture surface.
 - ⊗  ● Do not clean furniture with harsh cleansers or polish.
 - ✓  ● To obtain the longest lifespan of your outdoor products, minimizing exposure to direct sunlight is recommended.
 - ⊗  ● Children should not climb or jump on the furniture.
 - ⊗  ● Do not write on furniture without a padded barrier to protect the surface.
 - ✓  ● To obtain the longest lifespan of your outdoor products, avoid extended and lengthy exposure to rain, snow, and direct sunshine. Whenever possible cover the product and /or place under patio or awnings.
 - ⊗  ● Not for commercial use. For residential use only.
 - ⊗  ● Stains may be removed with mild soap solution and damp cloth.
 - ✓  ● Dust and pick-up spills using a clean, non-colored, lint-free cloth .
-